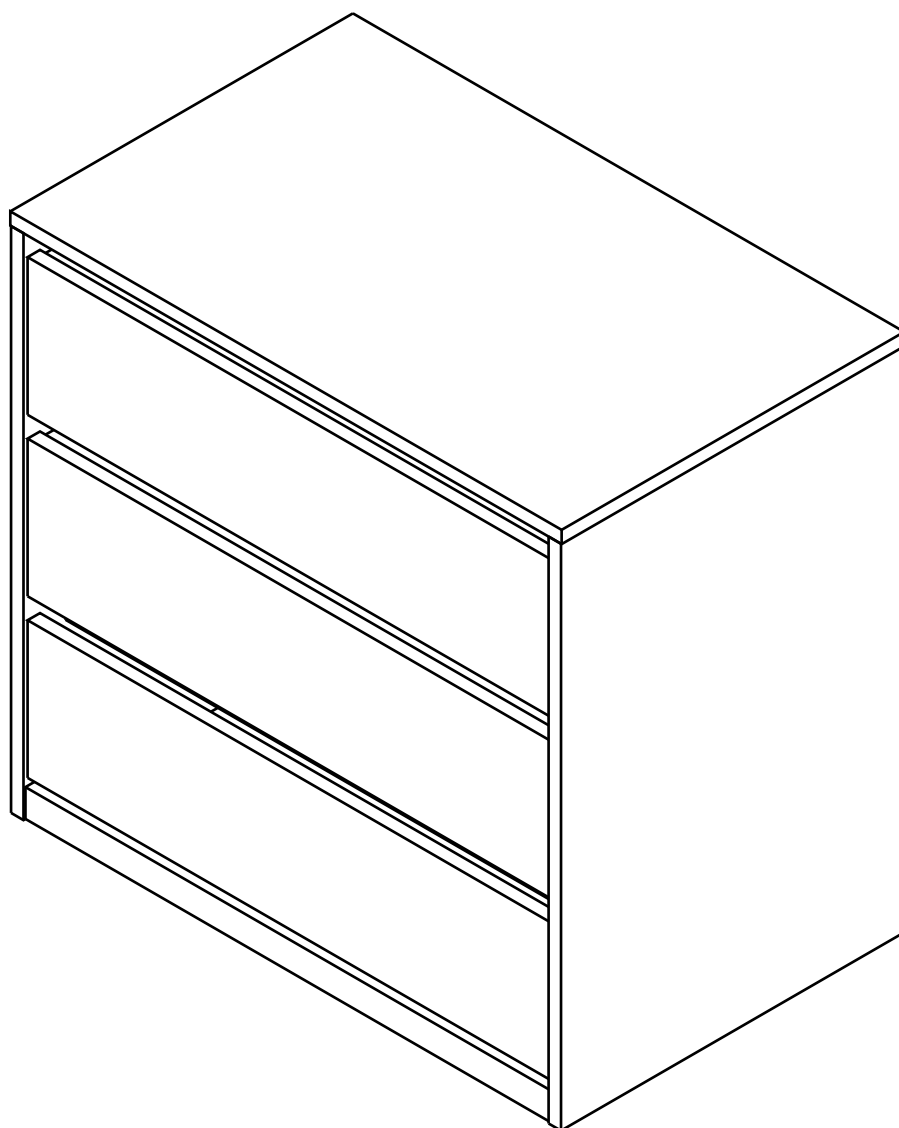
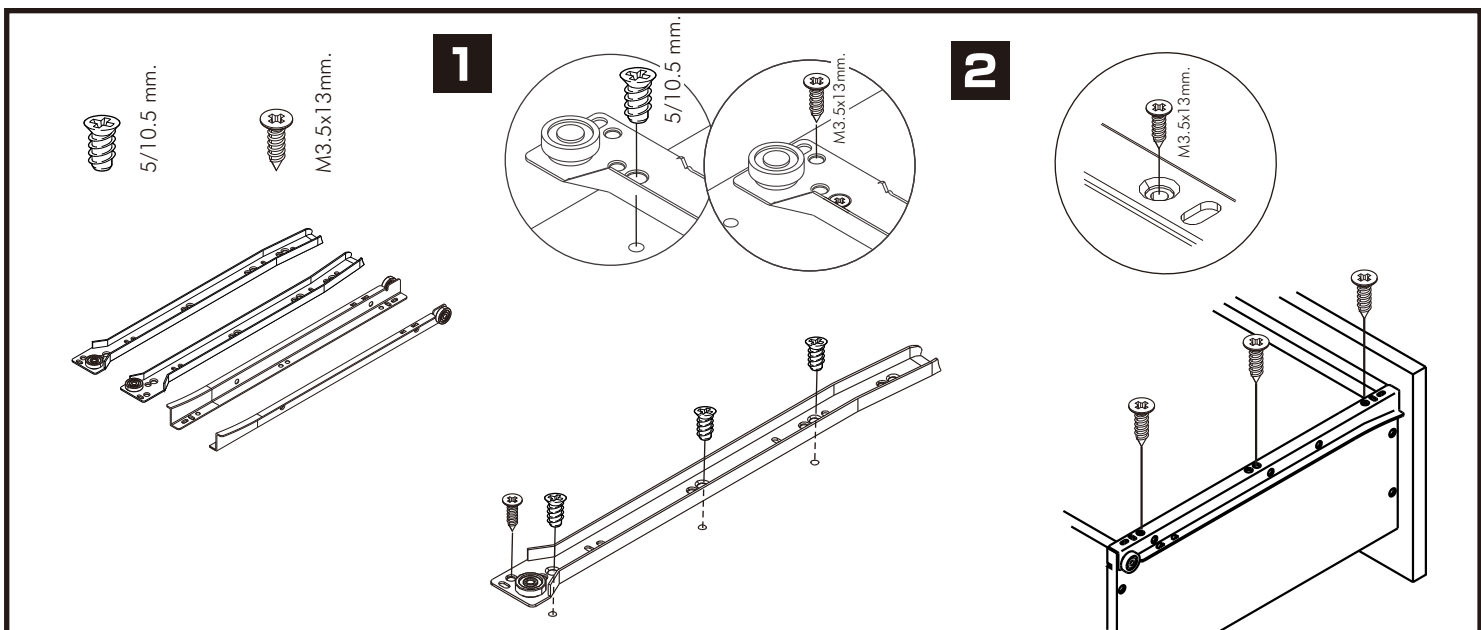
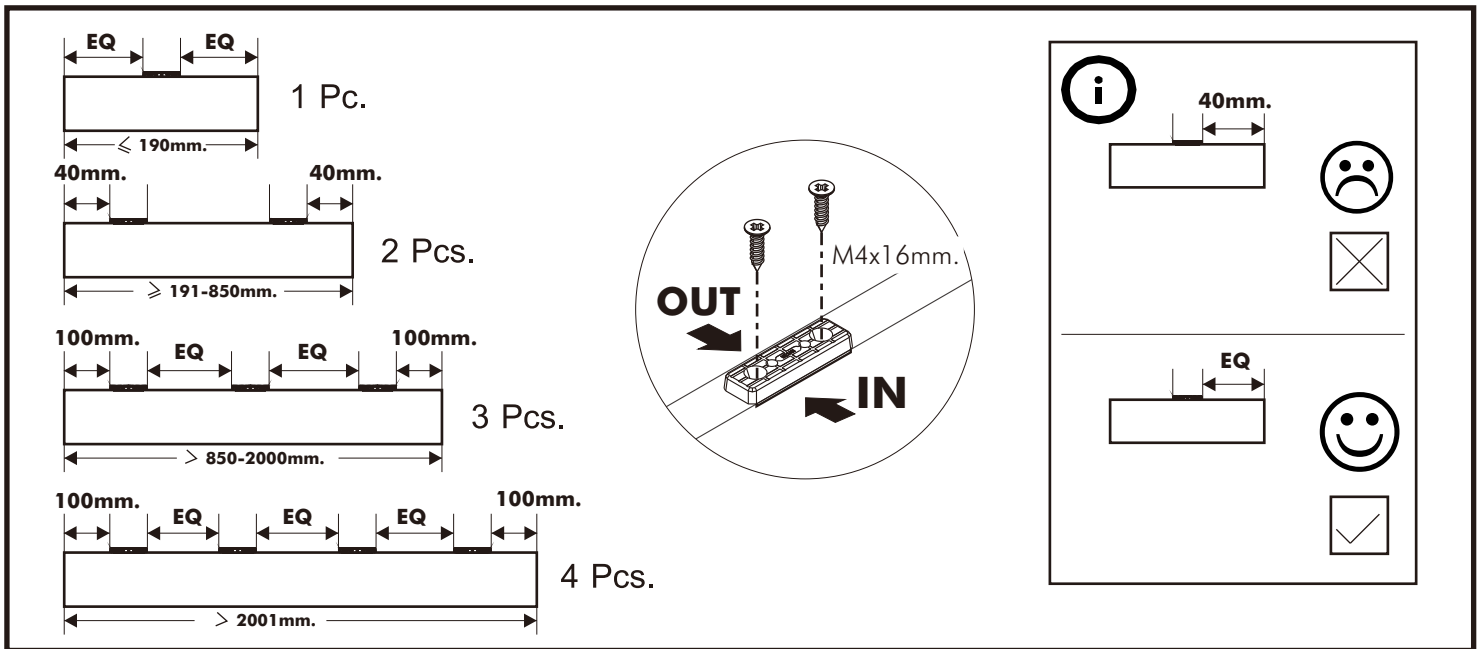
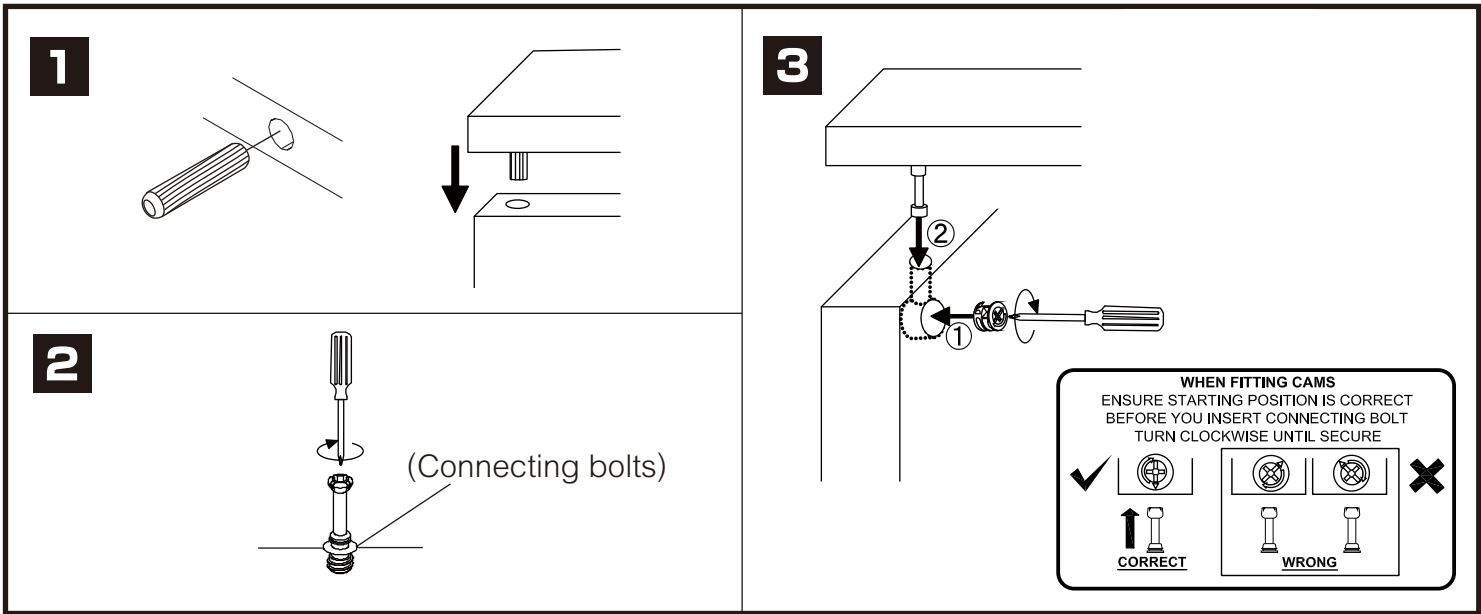


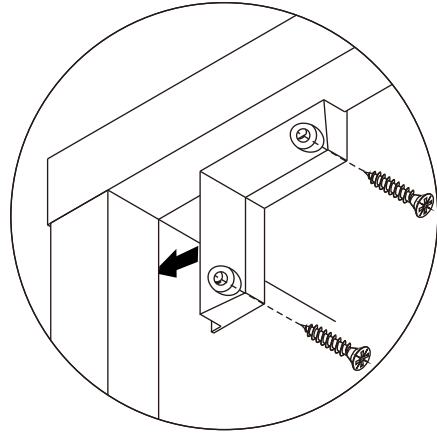
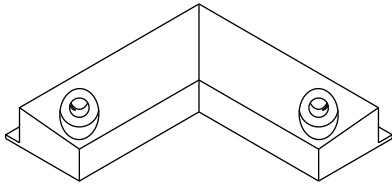
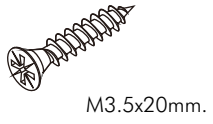
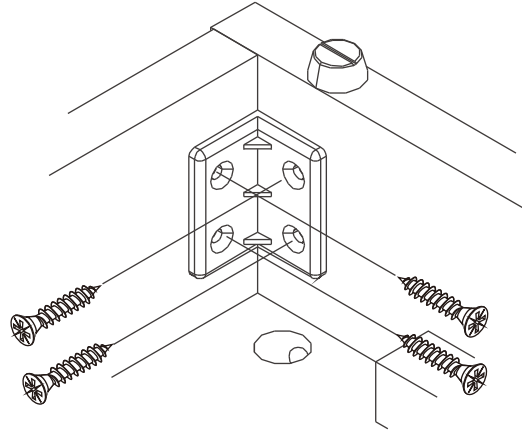
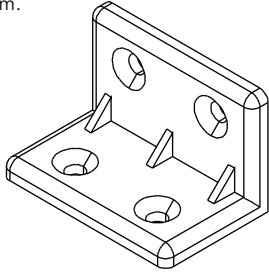
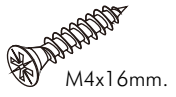
MOLLY/P

3 drawers 80 cm.



CONNECT SYSTEM







The Standard for identifying which mounted safety fall protection fitting to use **Note : That children's products must be installed with all anti-falling fittings.**

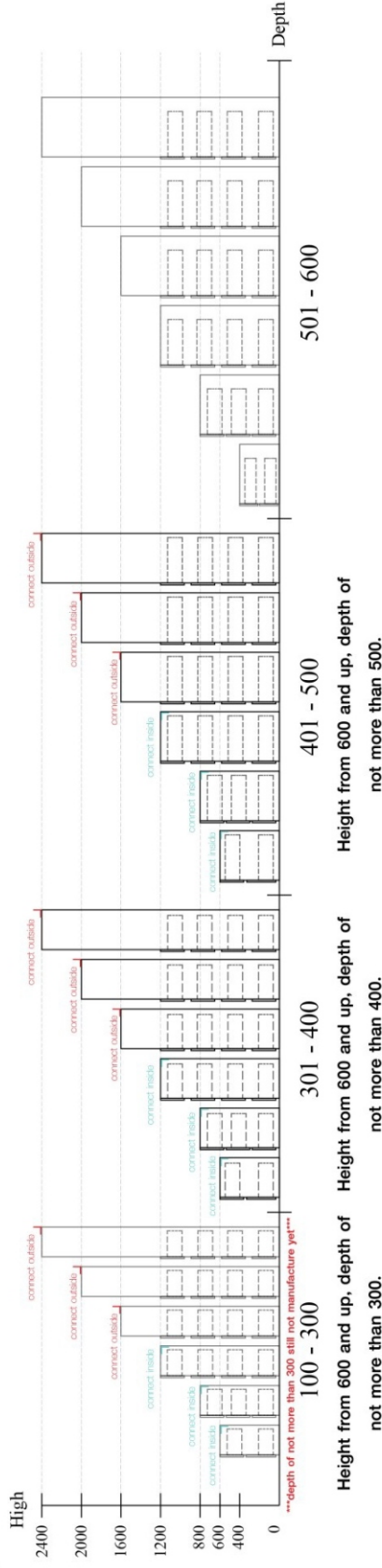
■ Mounted fall protection fittings



■ Category : Cabinet with open doors



■ Category : Chest of drawers

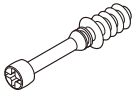


■ Category : Sliding door cabinet / Open cabinet



HARDWARE

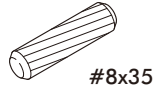
-BODY SET



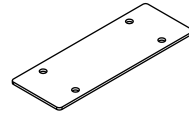
x 8



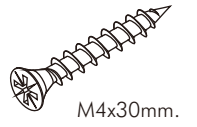
x 8



x 24



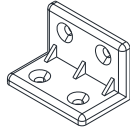
x 2



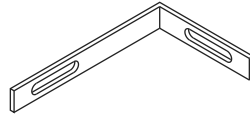
x 3



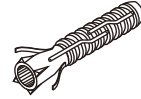
x 40



x 6



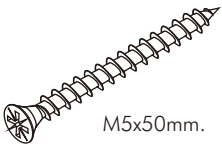
x 1



x 1



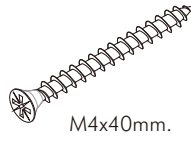
x 16



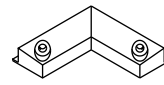
x 1



x 4



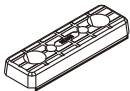
x 9



x 2

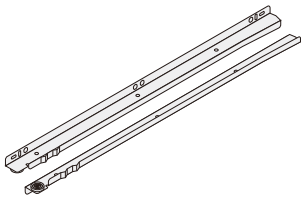


x 2



x 8

-DRAWER SET



x 3



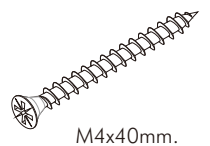
x 24



x 18



x 18

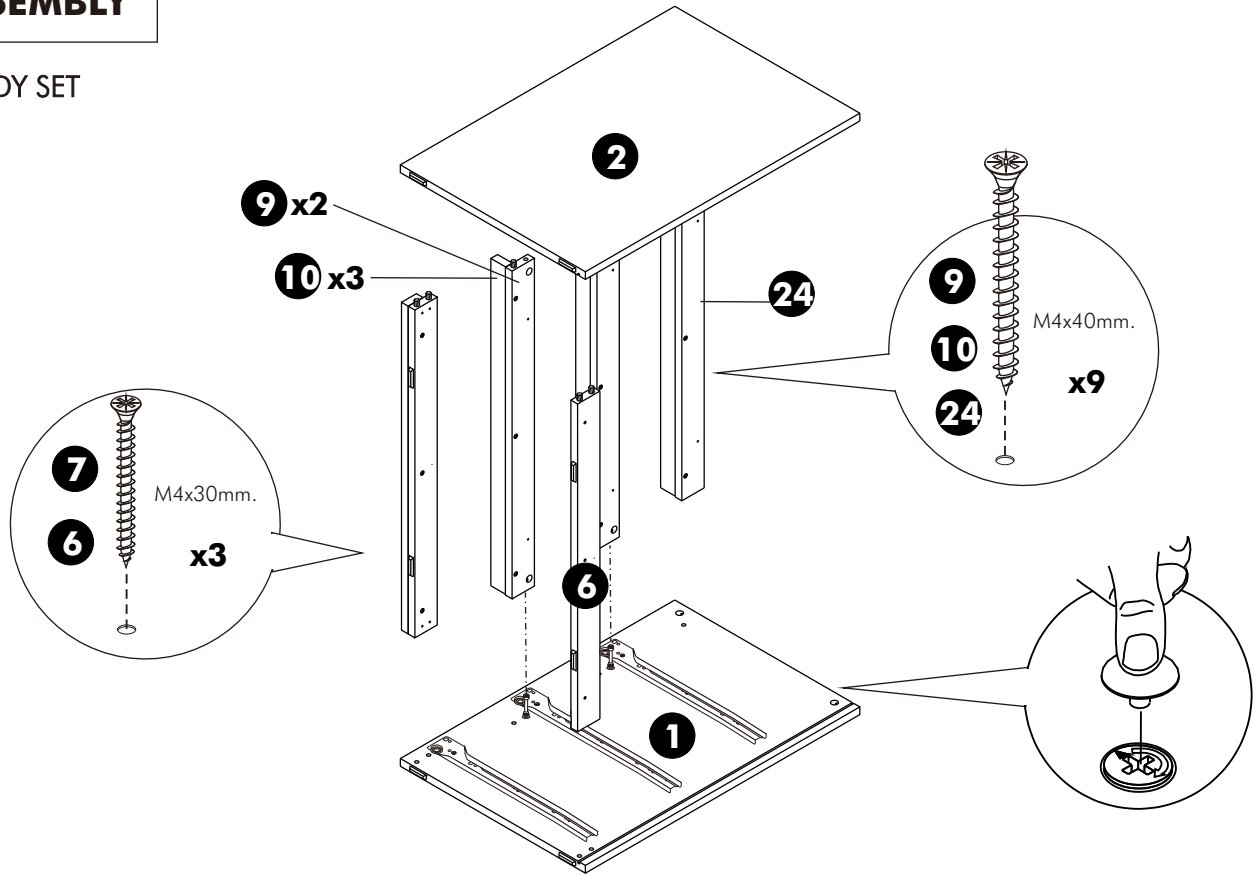


x 36

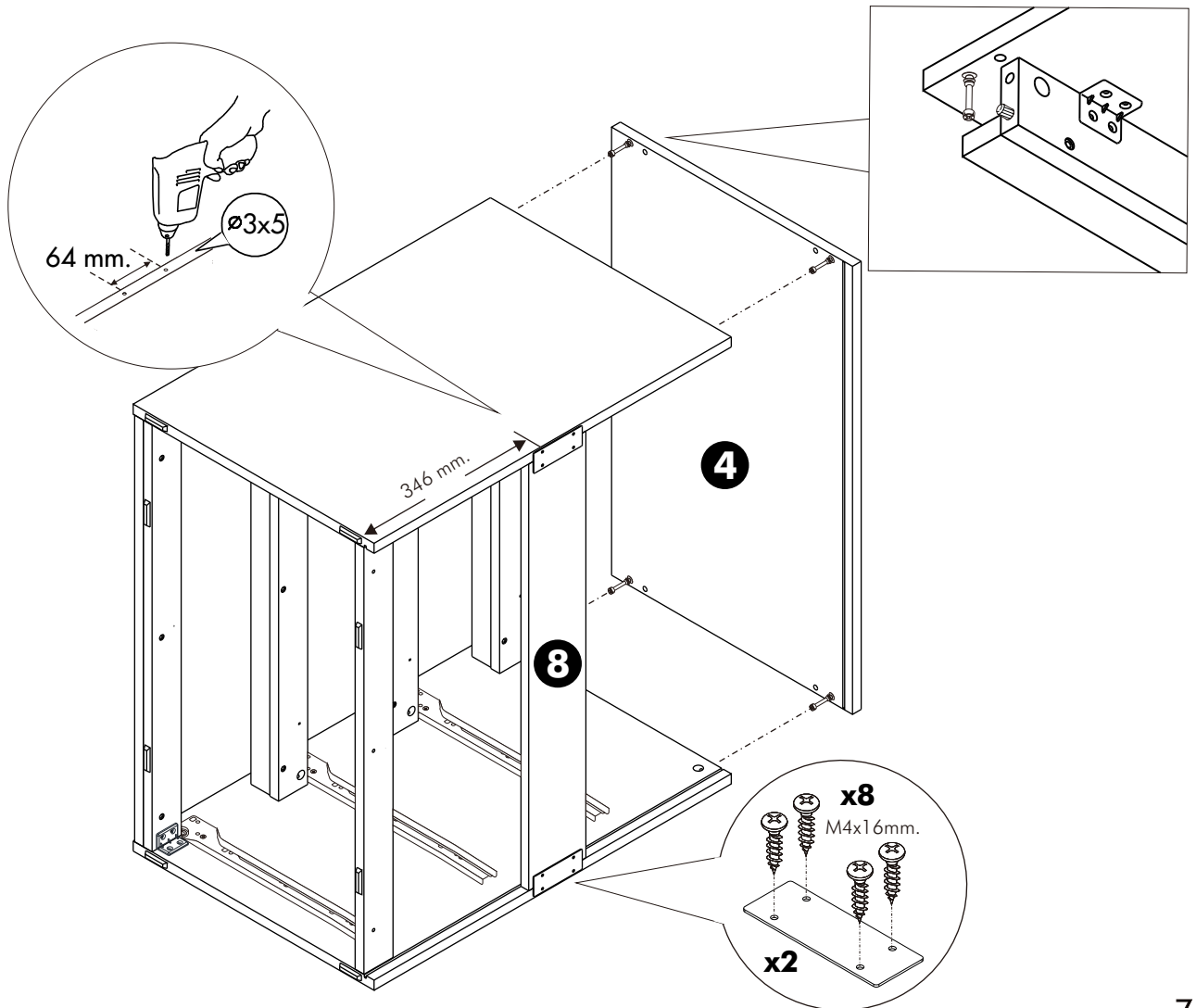
ASSEMBLY

-BODY SET

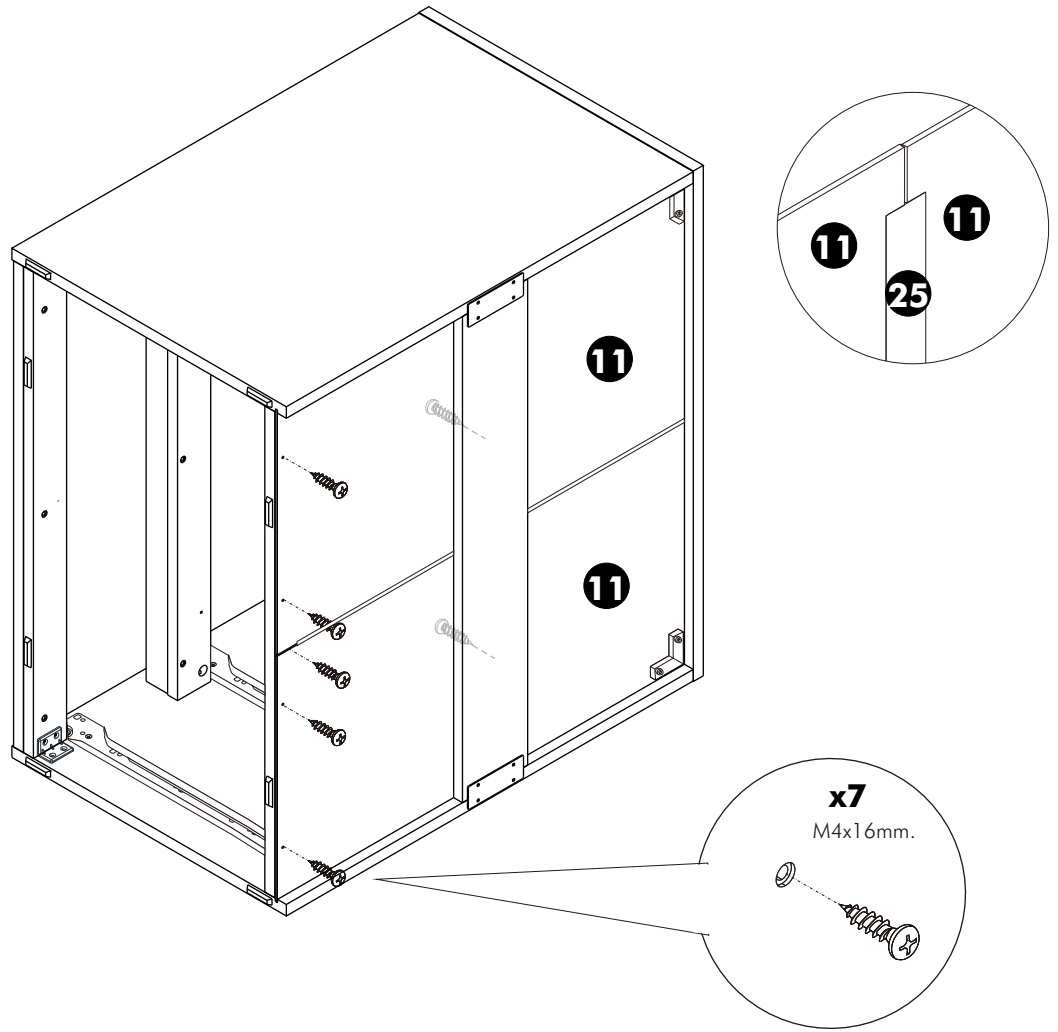
1.



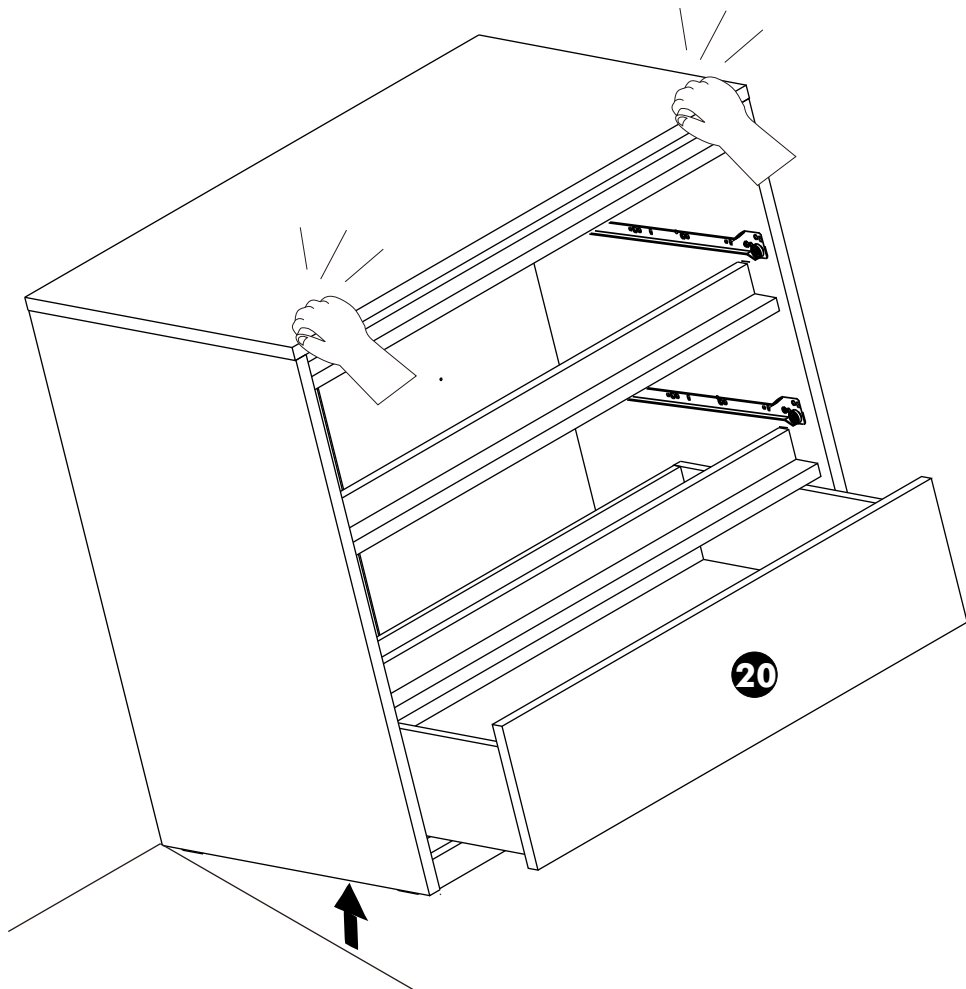
2.



3.



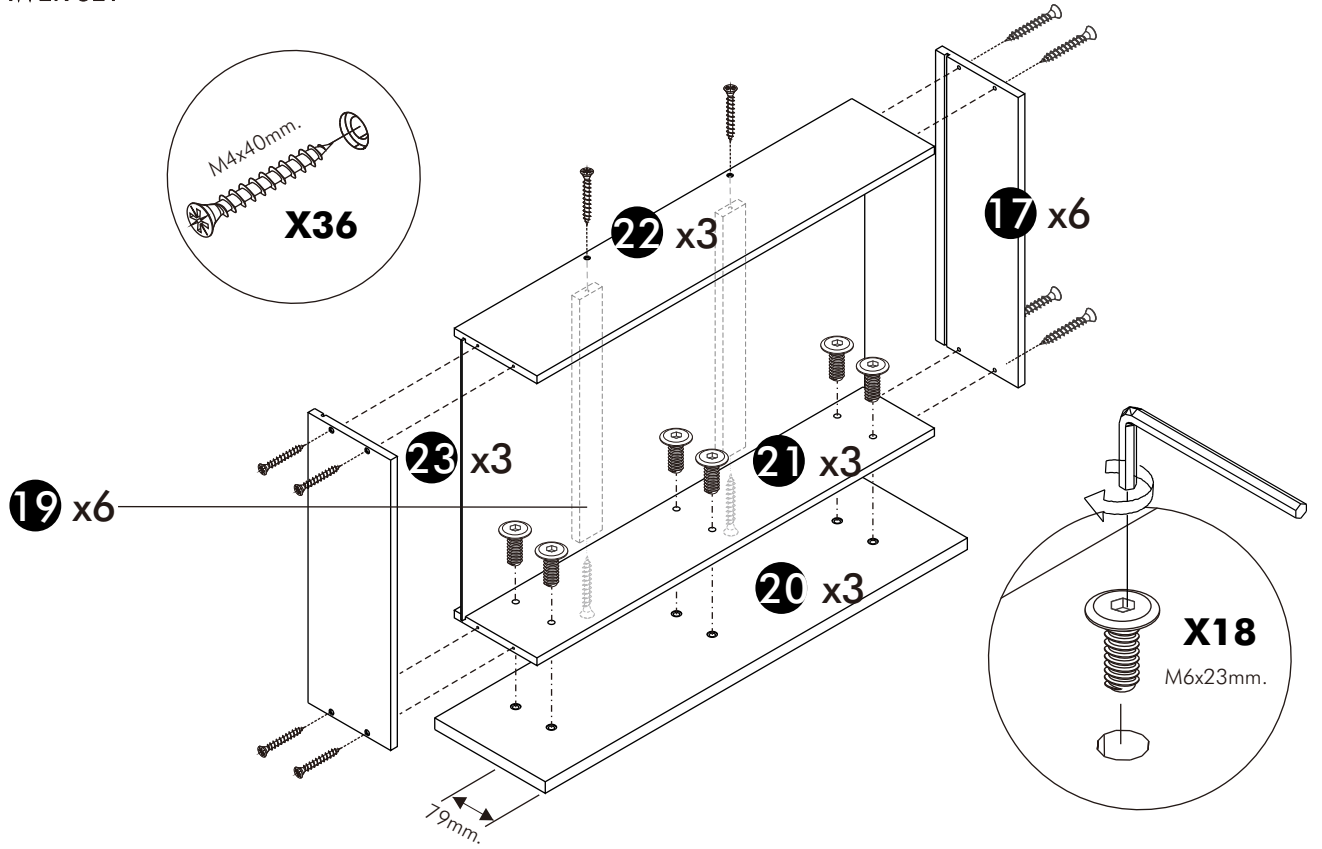
4.



ASSEMBLY

-DRAWER SET

1.



5.

