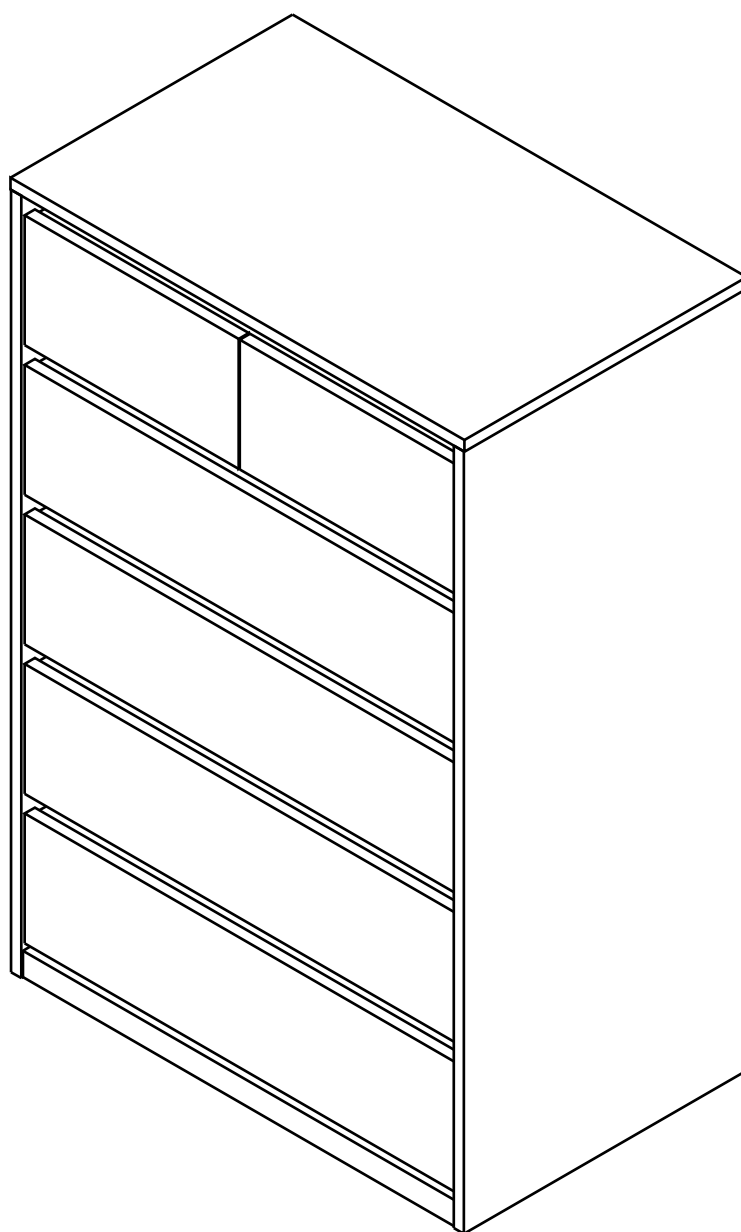
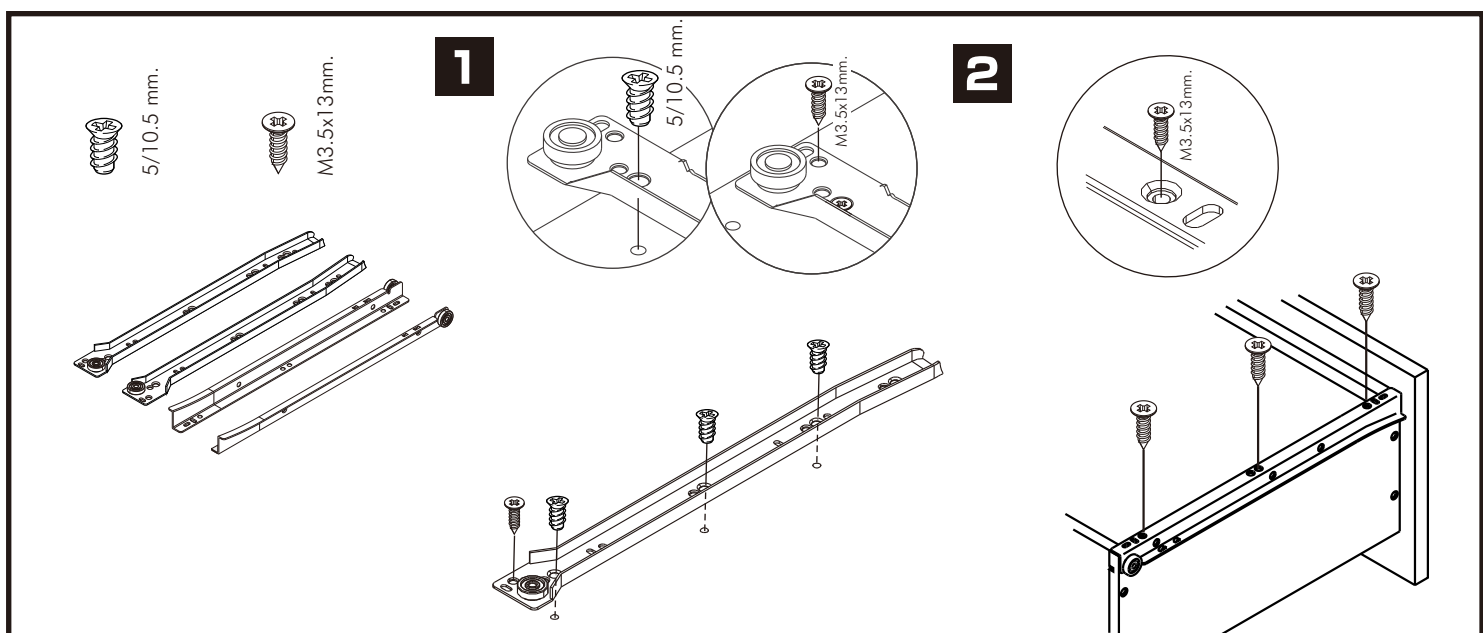
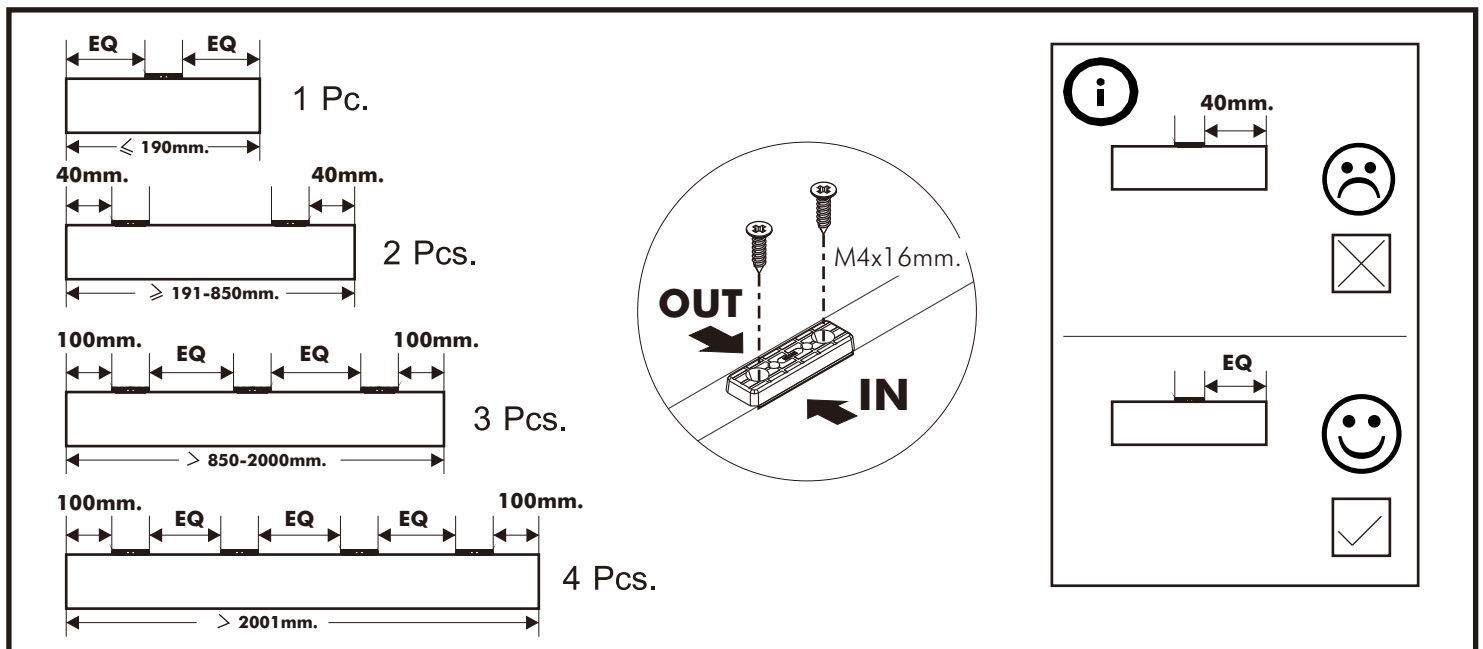
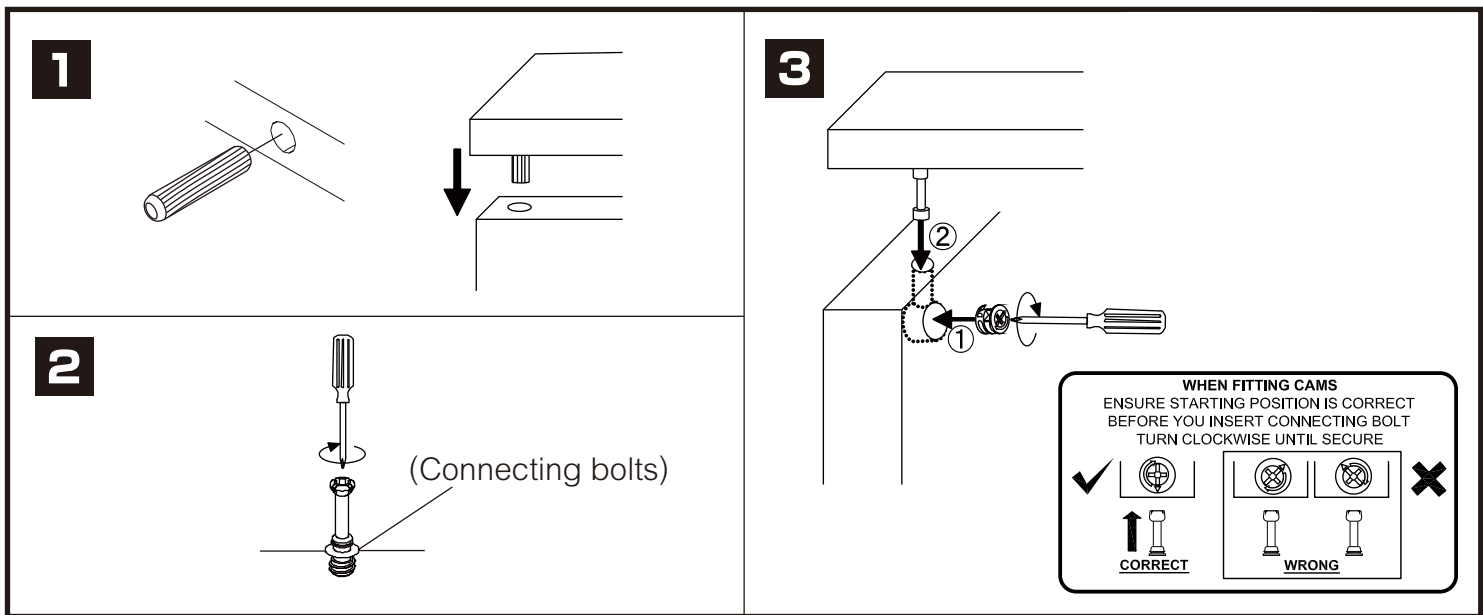


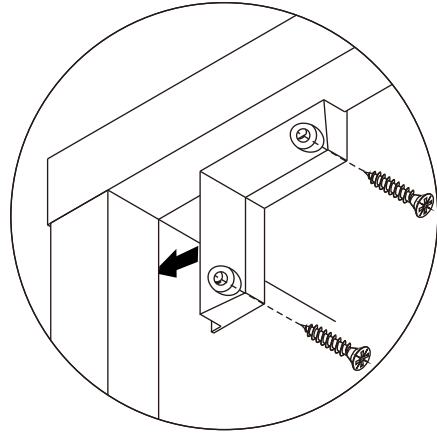
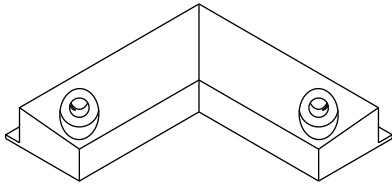
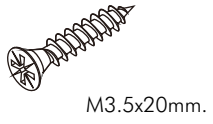
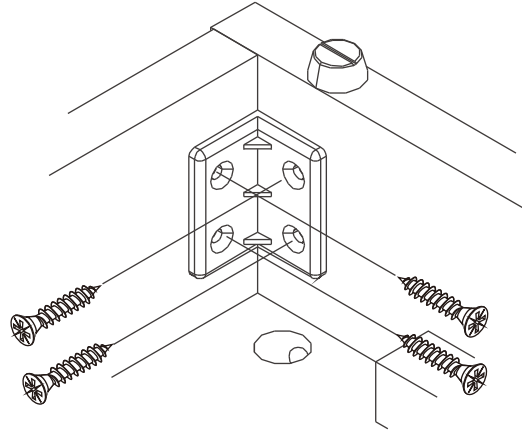
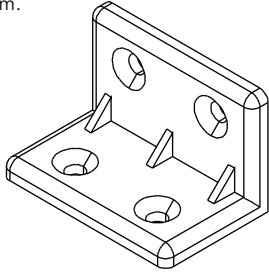
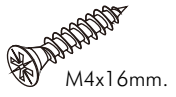
# MOLLY/P

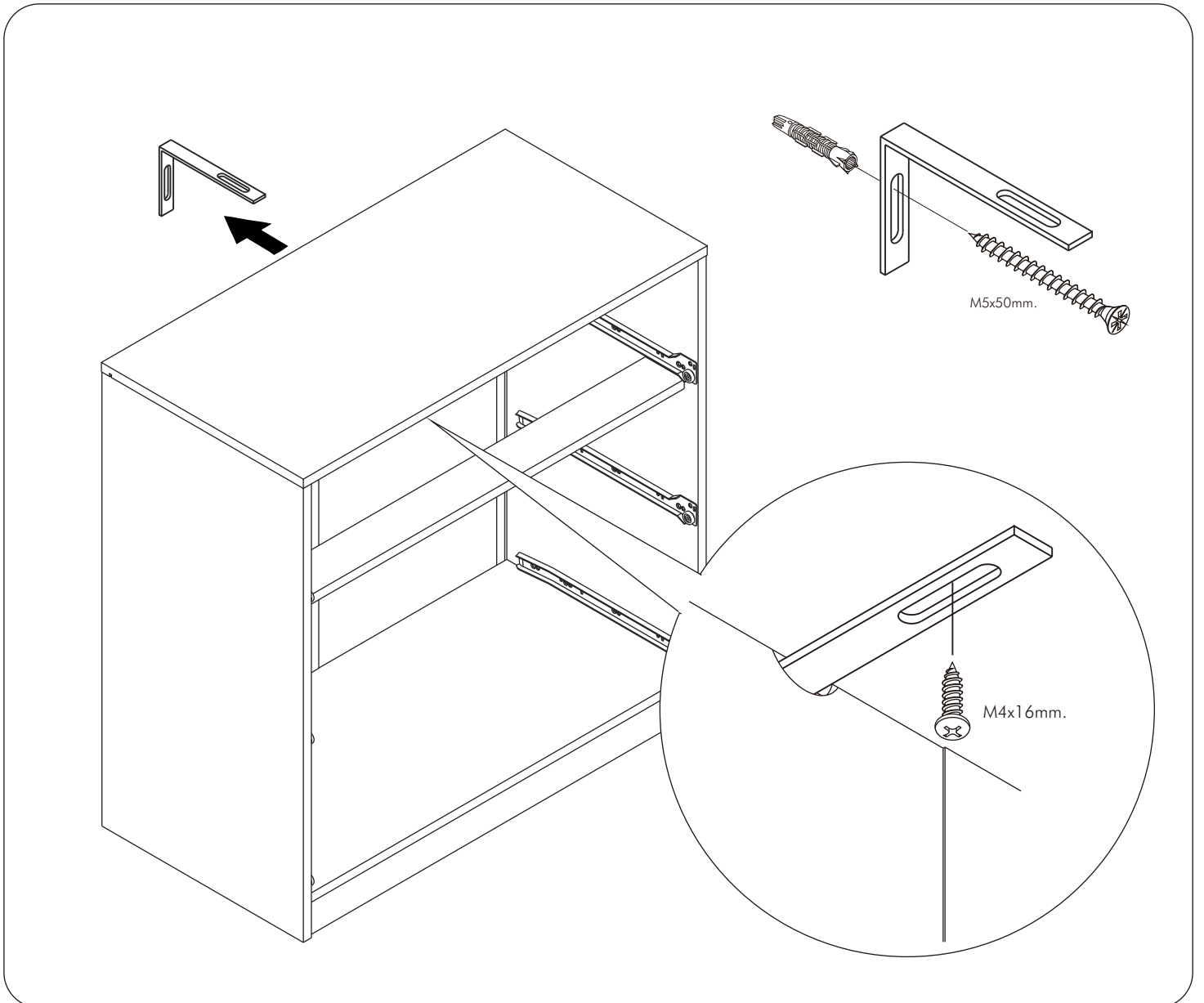
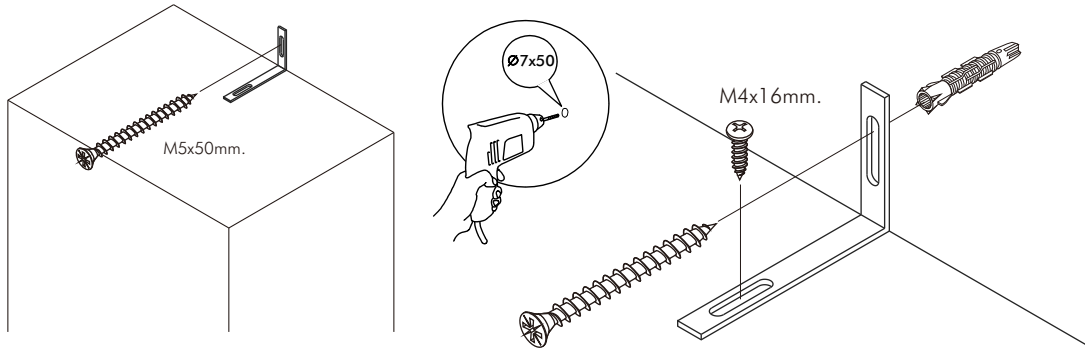
6 drawers 80 cm.



# CONNECT SYSTEM



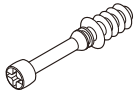






# HARDWARE

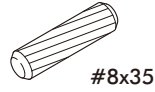
## -BODY SET



**x 18**



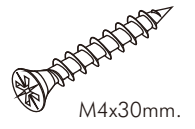
**x 18**



**x 38**



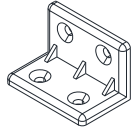
**x 2**



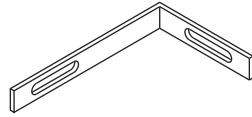
**x 3**



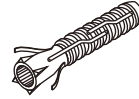
**x 40**



**x 6**



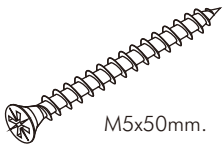
**x 1**



**x 1**



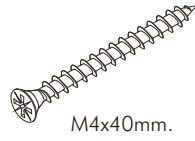
**x 16**



**x 1**



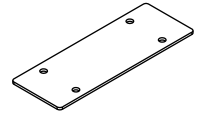
**x 4**



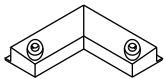
**x 15**



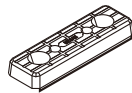
**x 2**



**x 2**

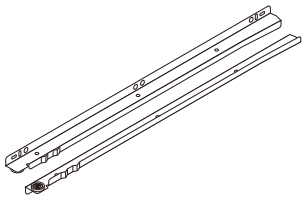


**x 2**



**x 8**

## -DRAWER SET



**x 6**



**x 48**



**x 36**



**x 32**

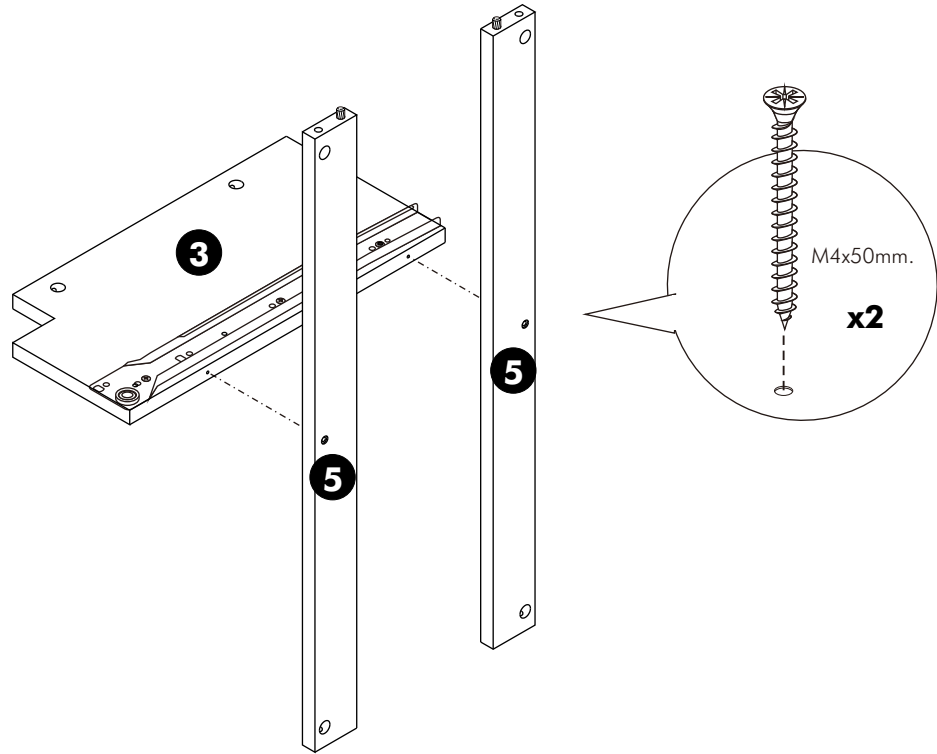


**x 68**

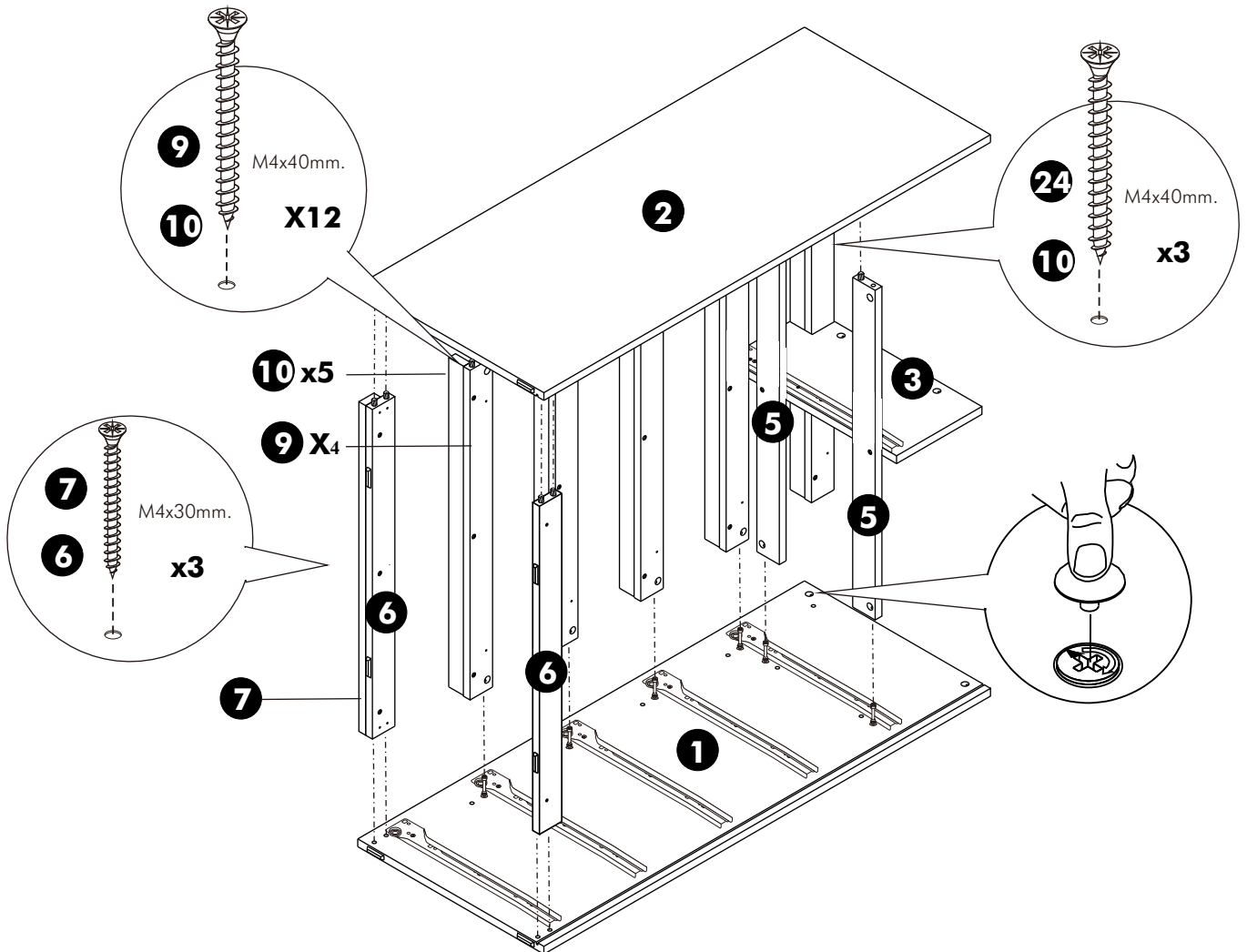
# ASSEMBLY

-BODY SET

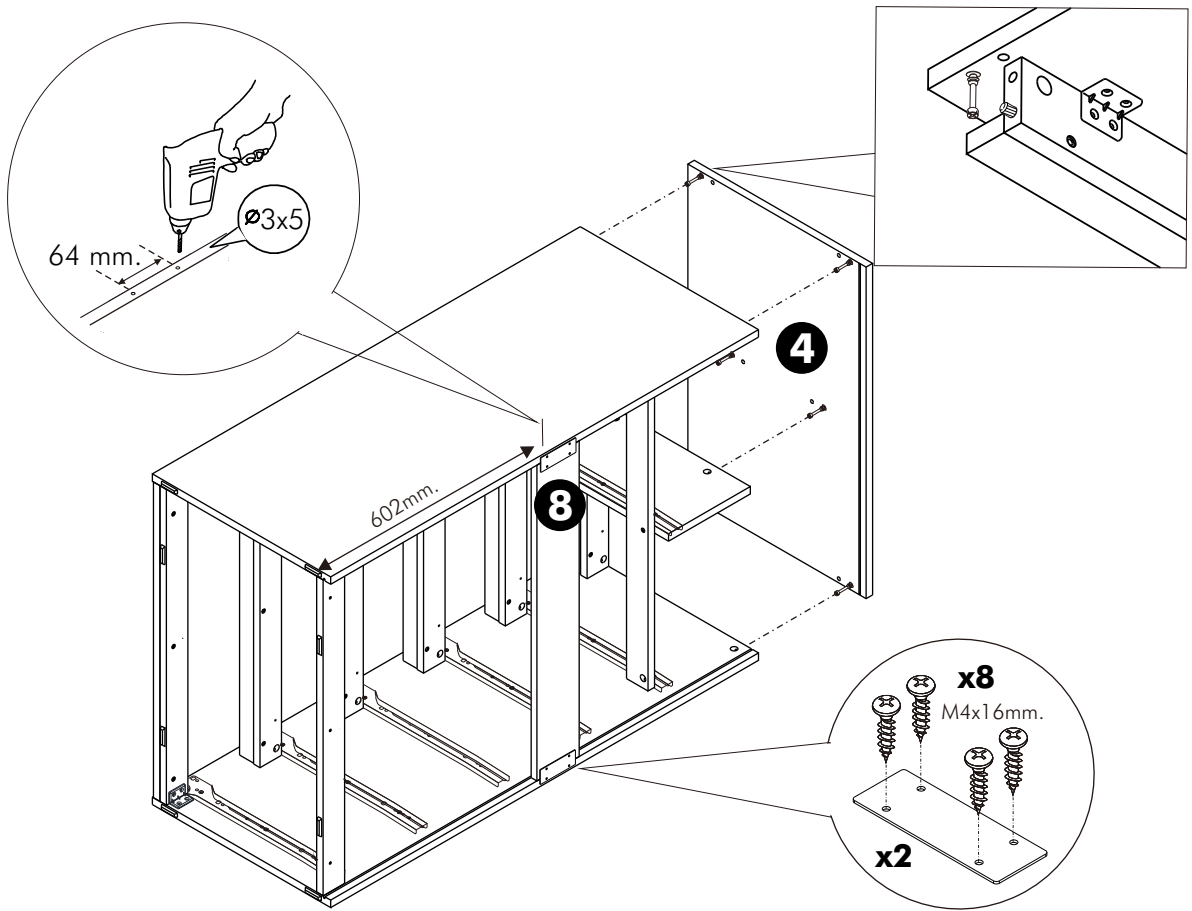
## 1.



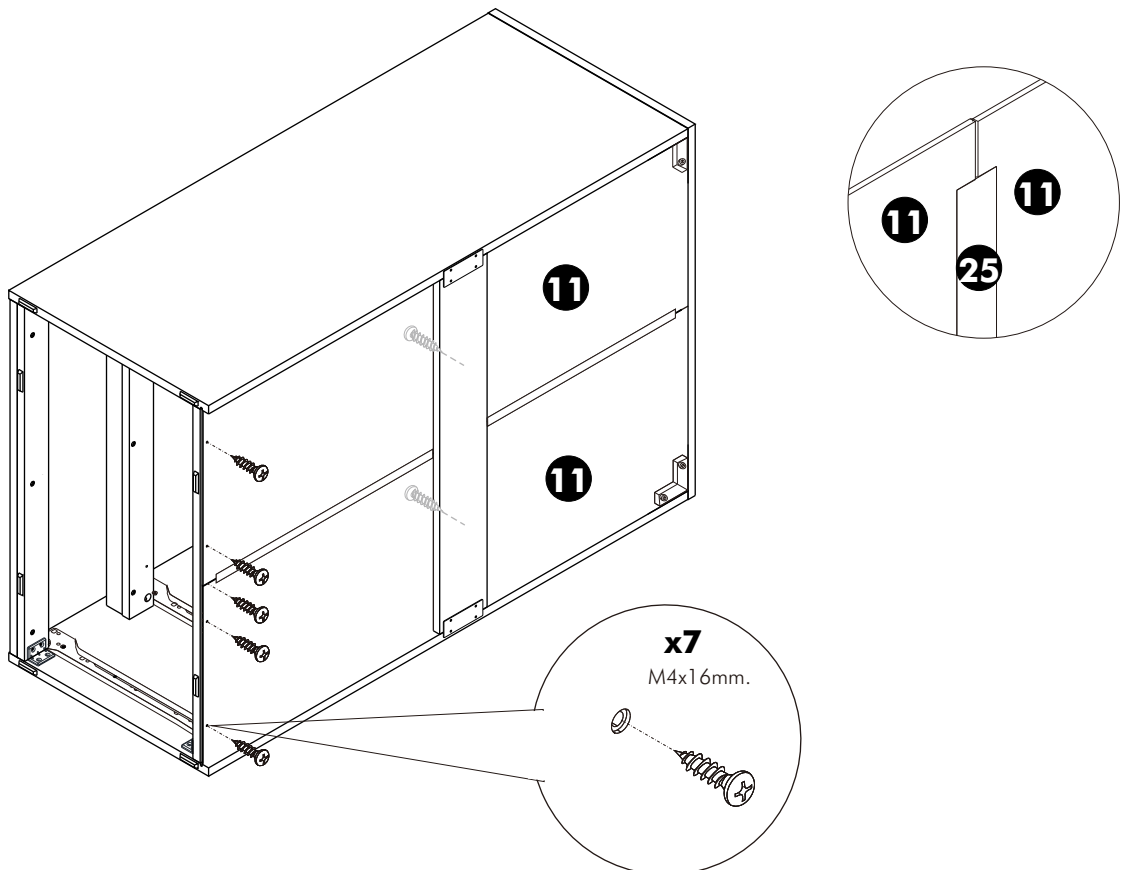
## 2.



**3.**

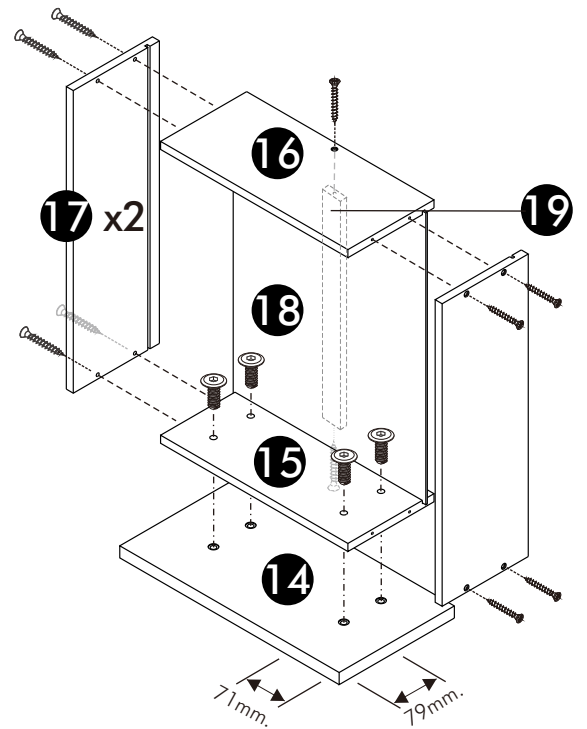
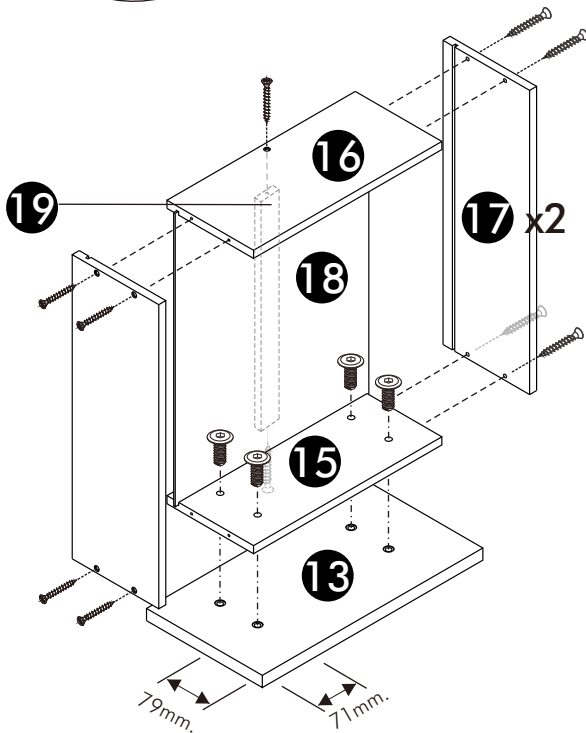
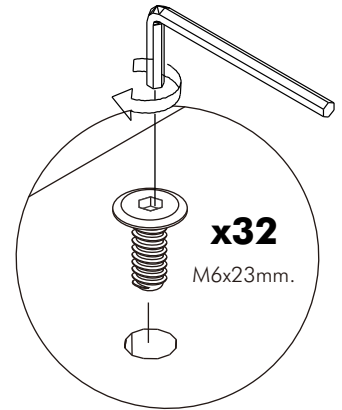
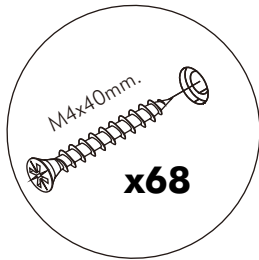
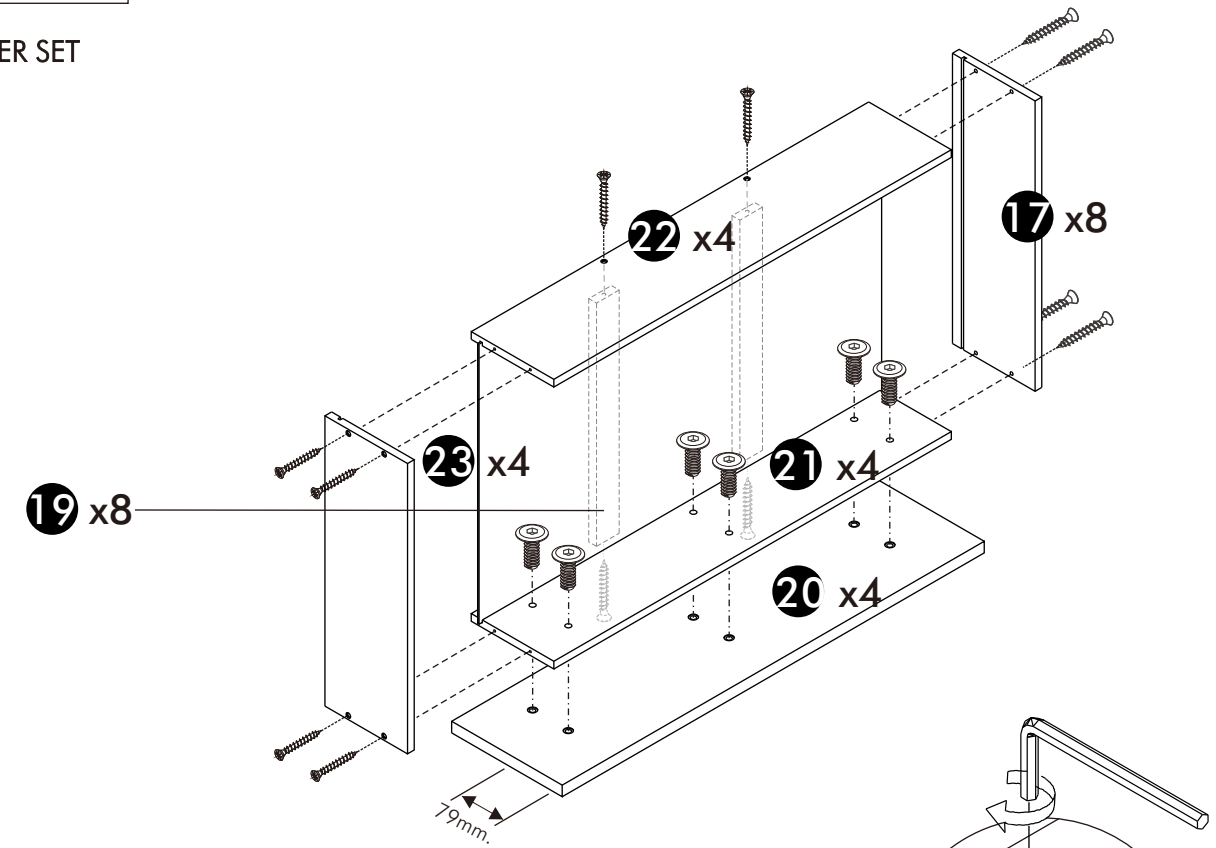


**4.**

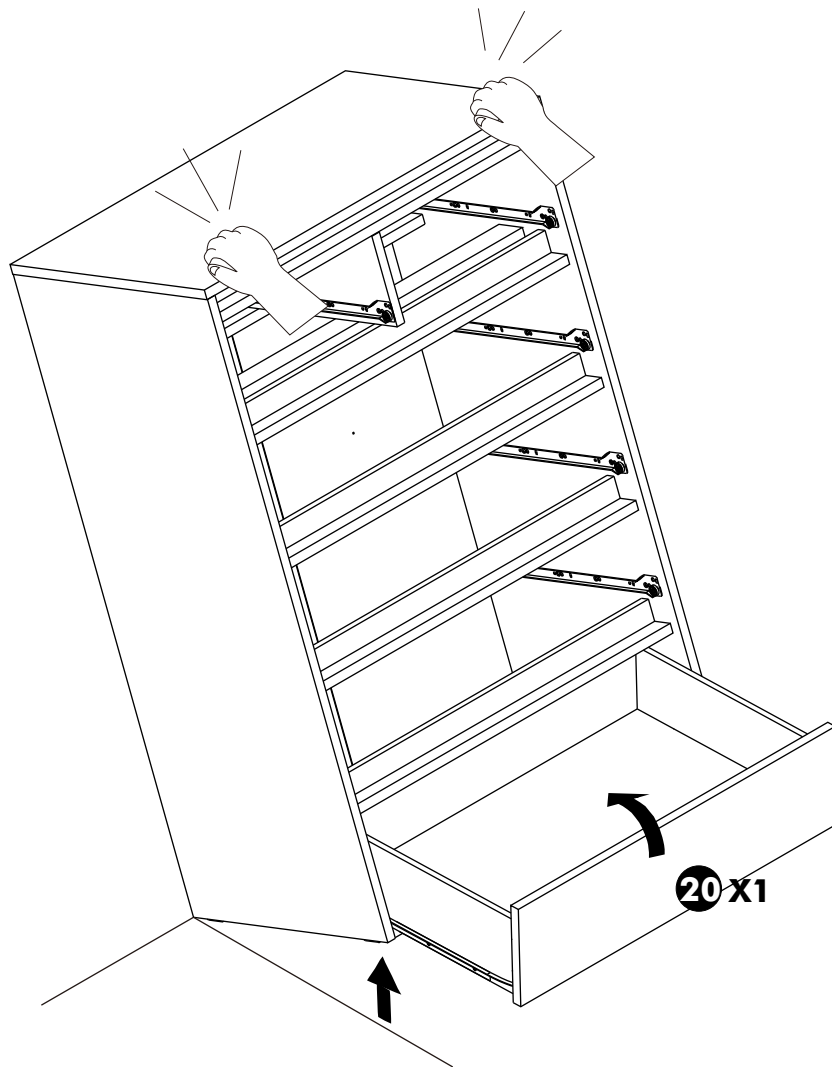


# ASSEMBLY

-DRAWER SET



5.



6.

