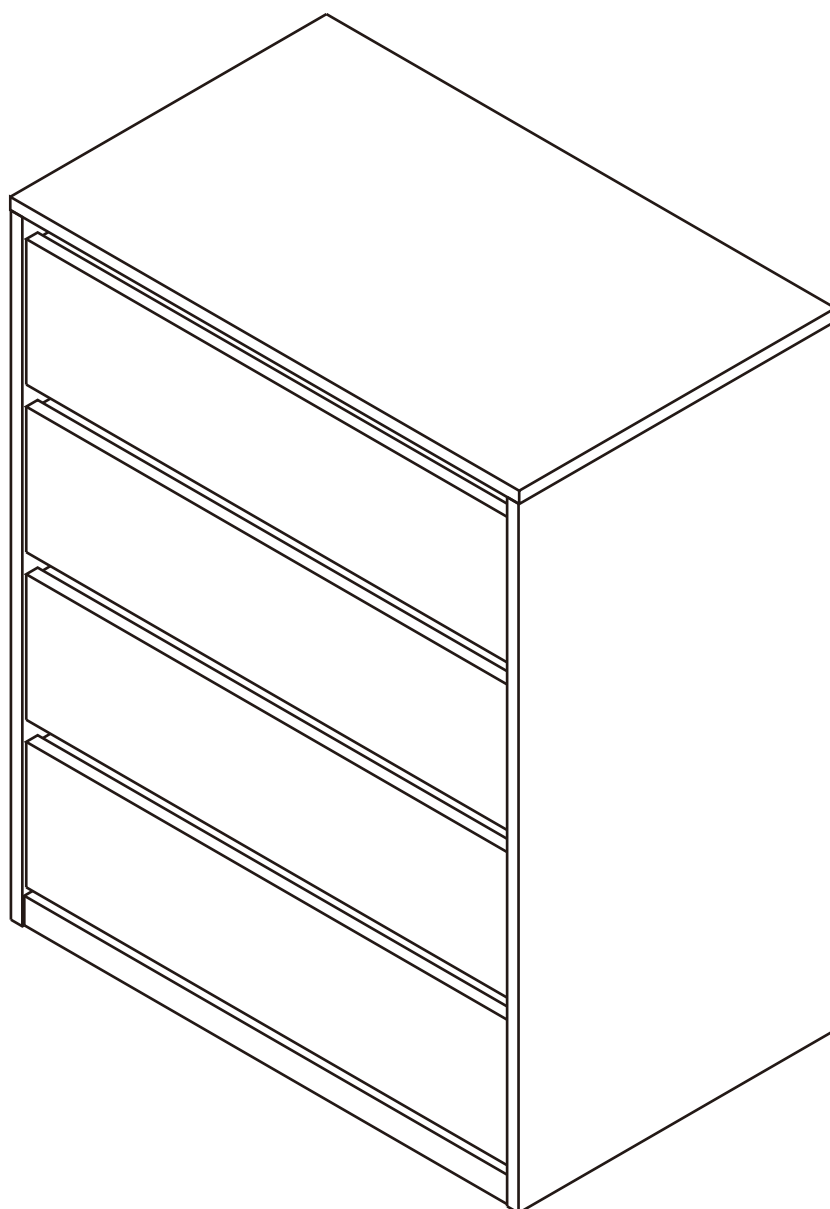
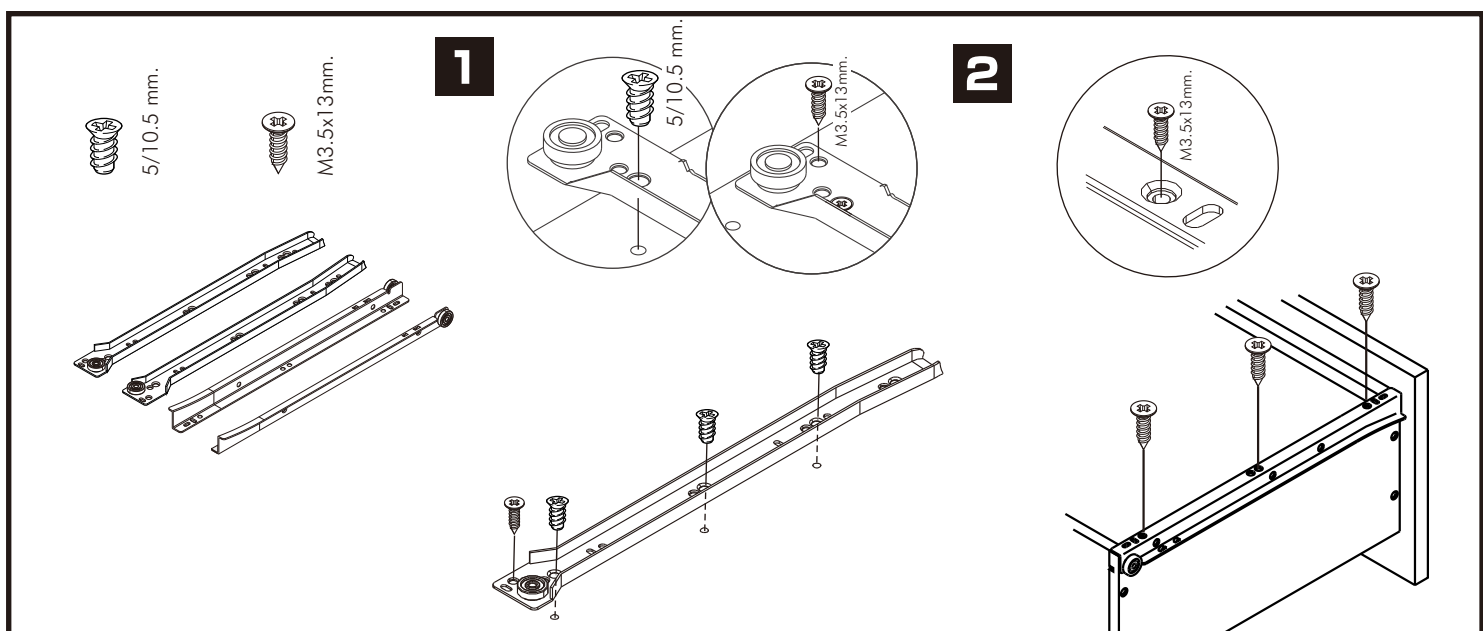
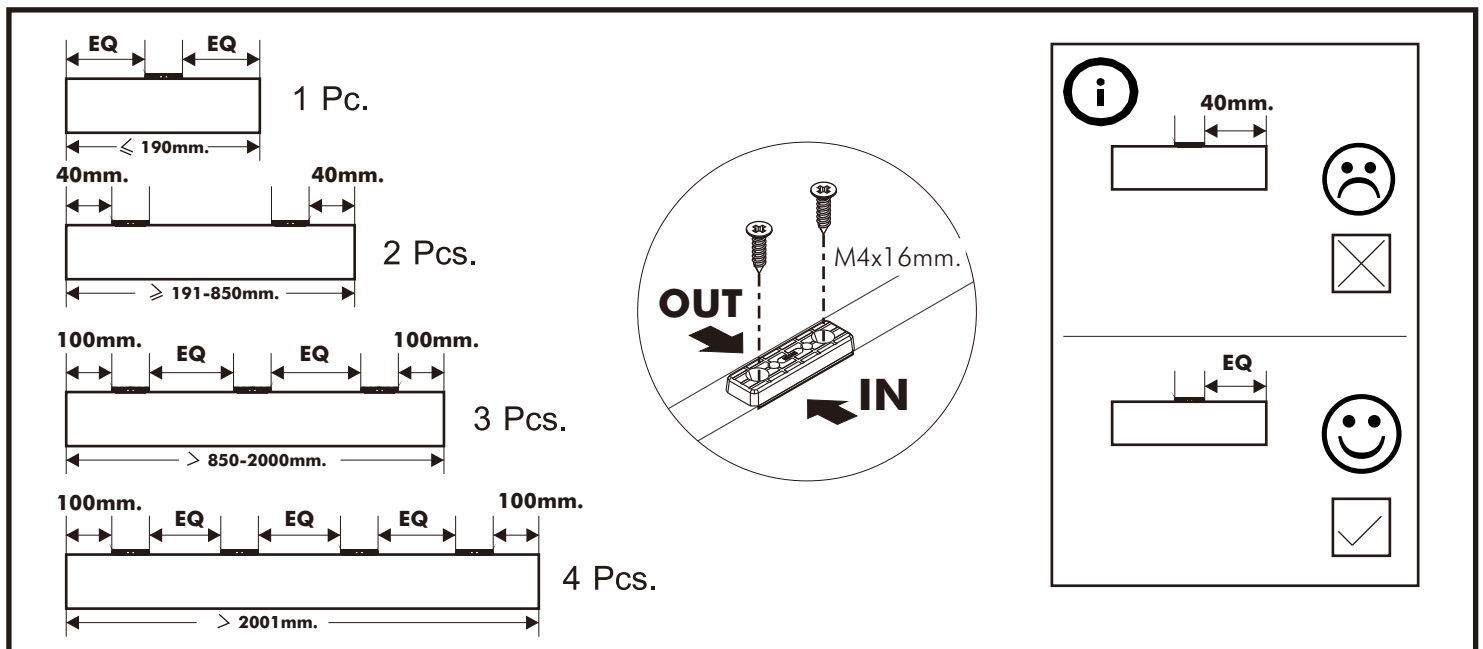
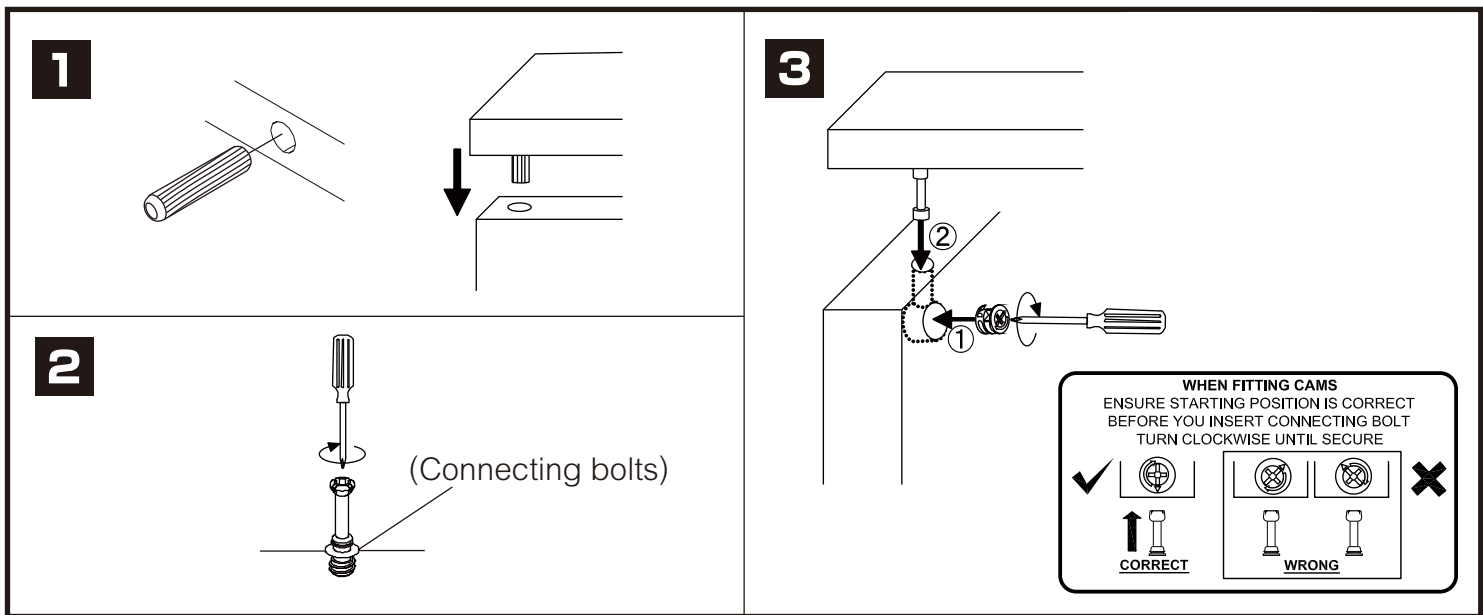


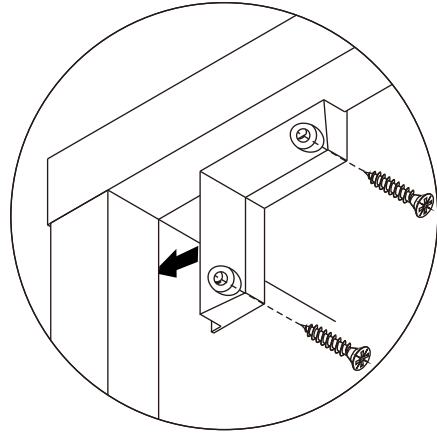
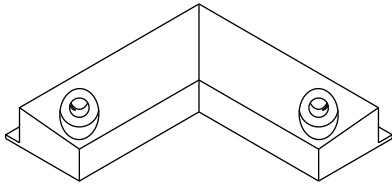
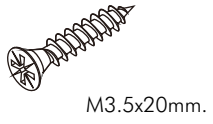
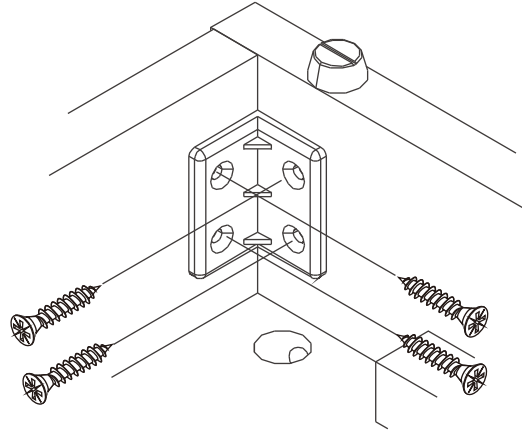
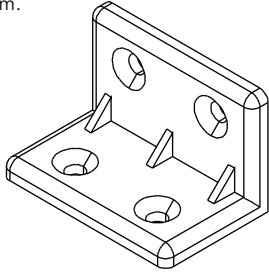
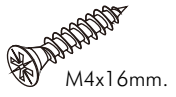
MOLLY/P

Chest 4 drawers



CONNECT SYSTEM







The Standard for identifying which mounted safety fall protection fitting to use **Note : That children's products must be installed with all anti-falling fittings.**

■ Mounted fall protection fittings



■ Category : Cabinet with open doors



■ Category : Chest of drawers

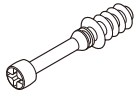


■ Category : Sliding door cabinet / Open cabinet



HARDWARE

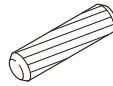
-BODY SET



x 10



x 10



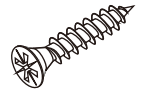
8x35mm.

x 28



M4x16mm.

x 16



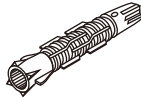
M4x20mm.

x 4

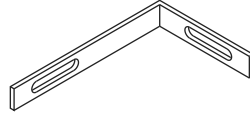


M4x30mm.

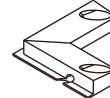
x 3



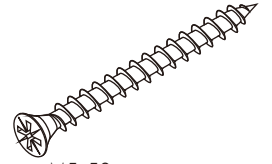
x 1



x 1



x 2

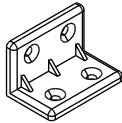


M5x50mm.

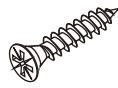
x 1



x 2

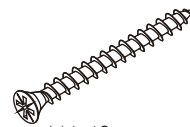


x 6



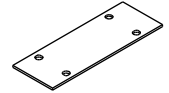
M4x16mm.

x 40

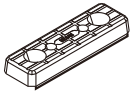


M4x40mm.

x 12

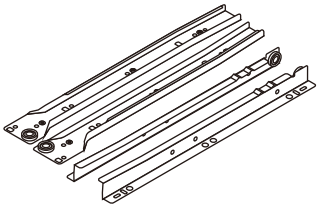


x 2

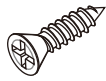


x 8

-DRAWER SET



x 4



M3.5x13mm.

x 32



M4x40mm.

x 48



M6x23mm.

x 24



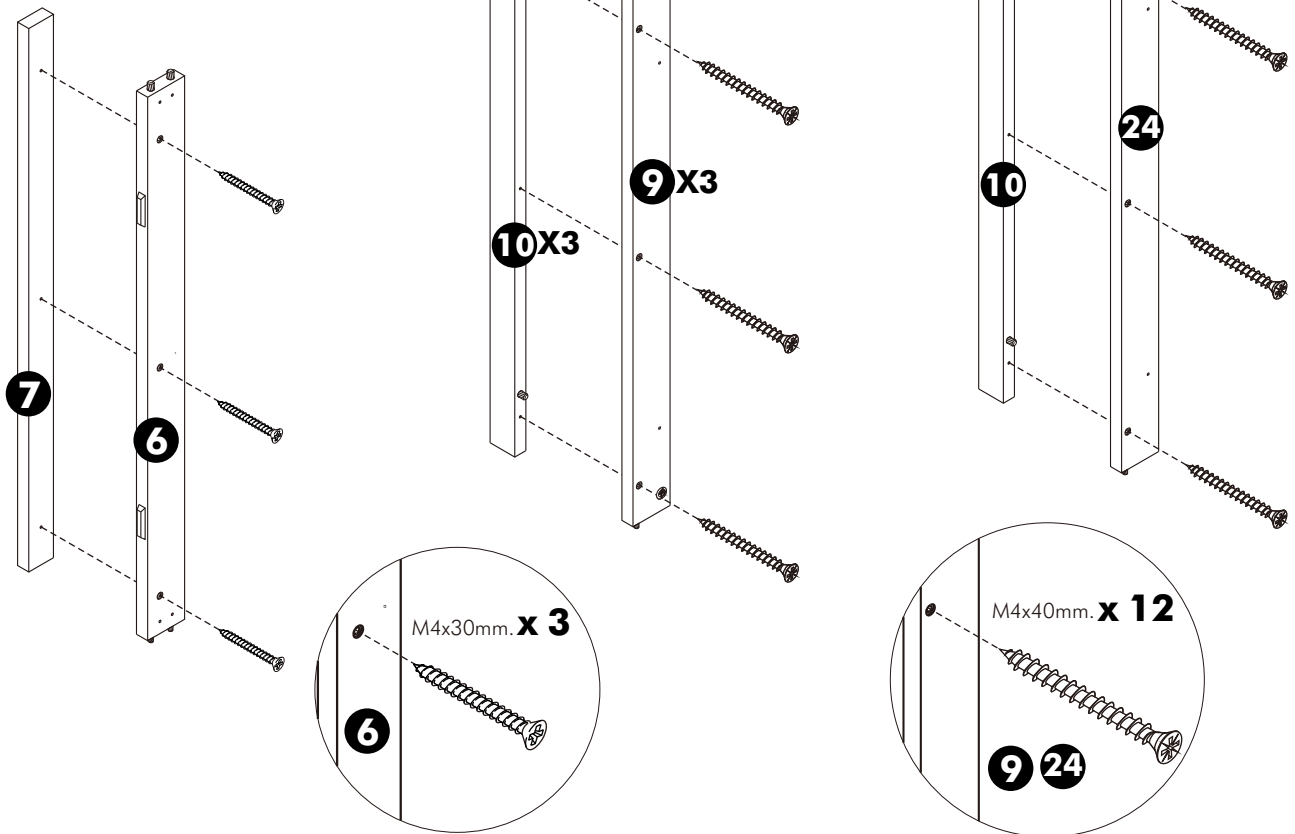
M5x10.5mm.

x 24

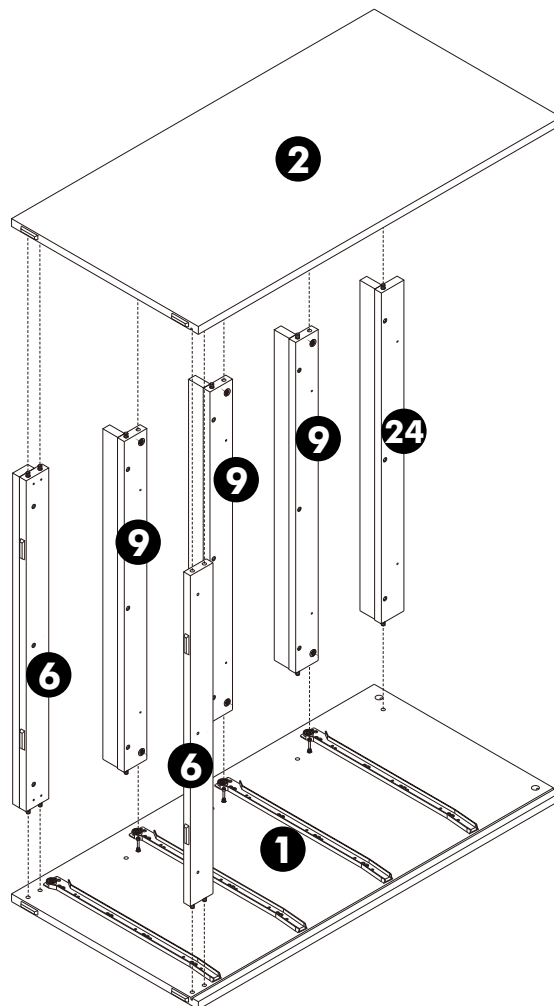
ASSEMBLY

-BODY SET

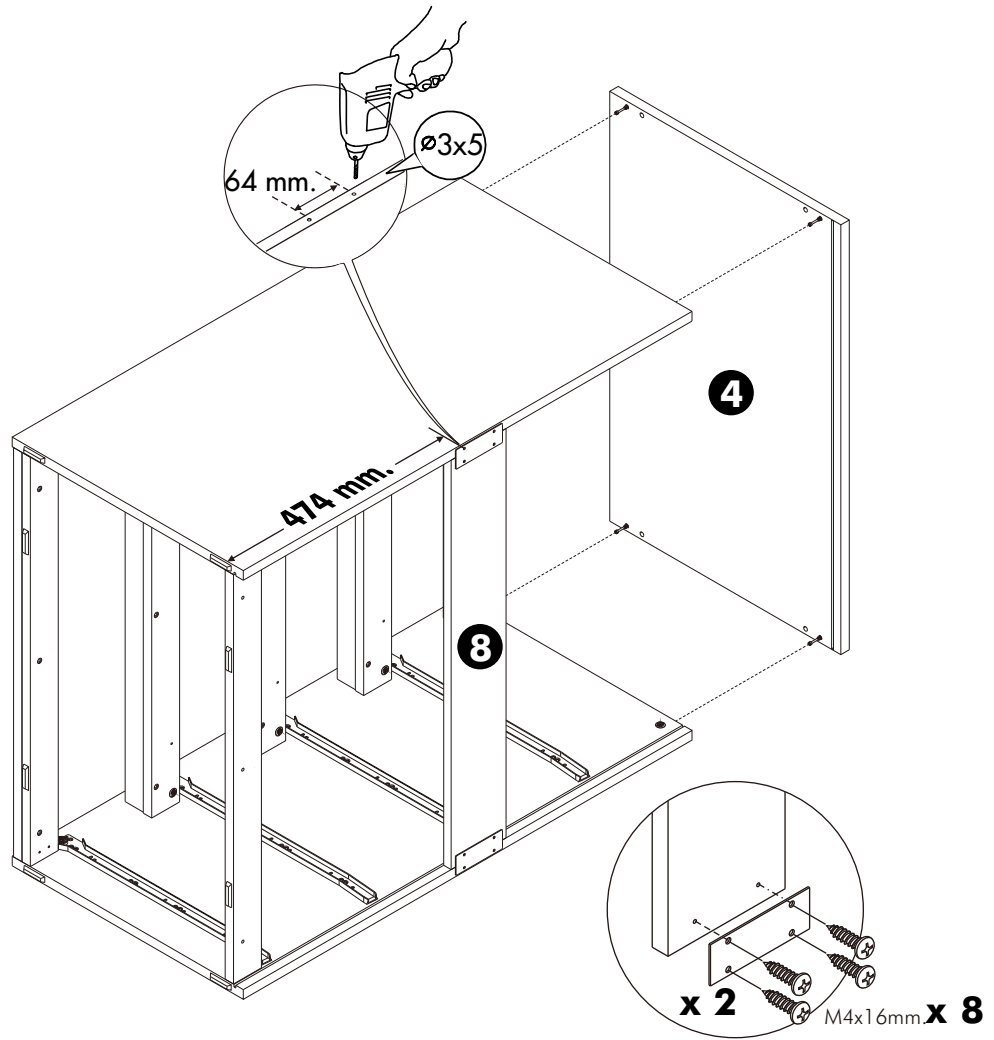
1.



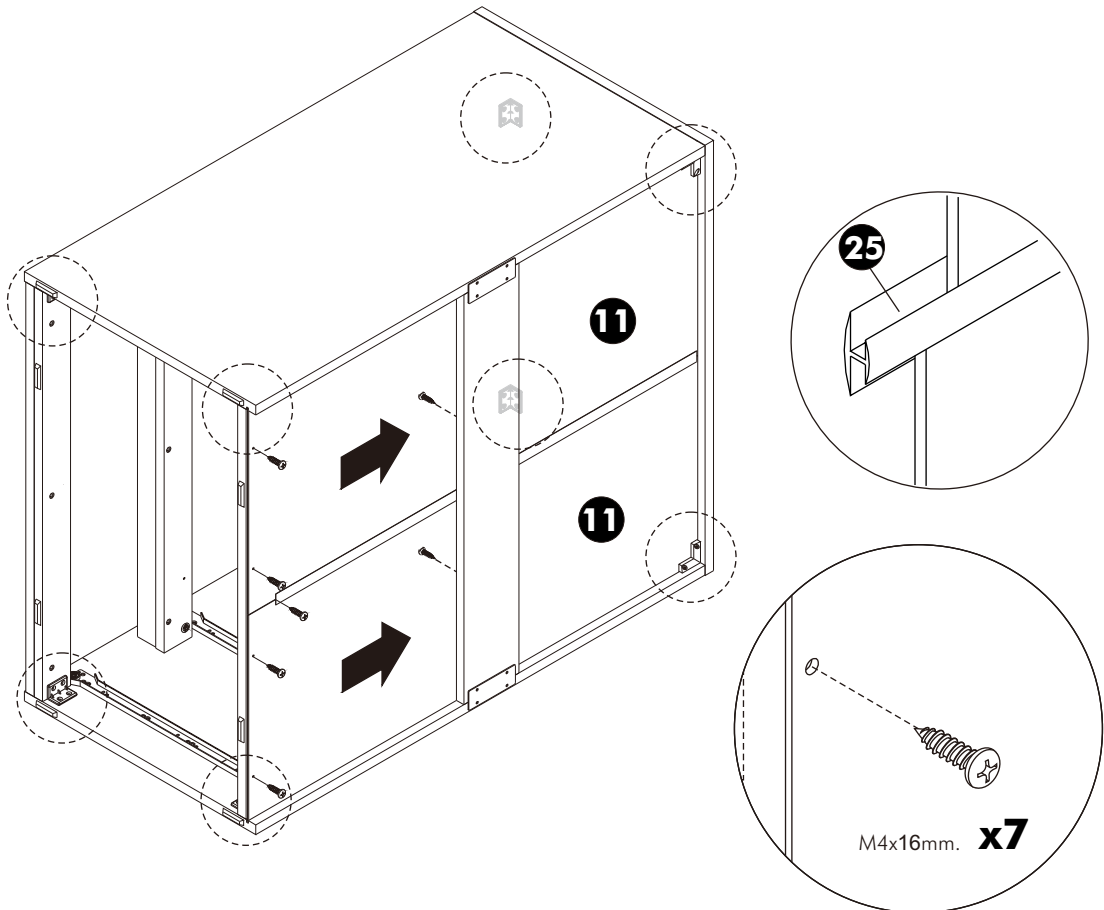
2.



3.



4.



ASSEMBLY

-DRAWER SET

