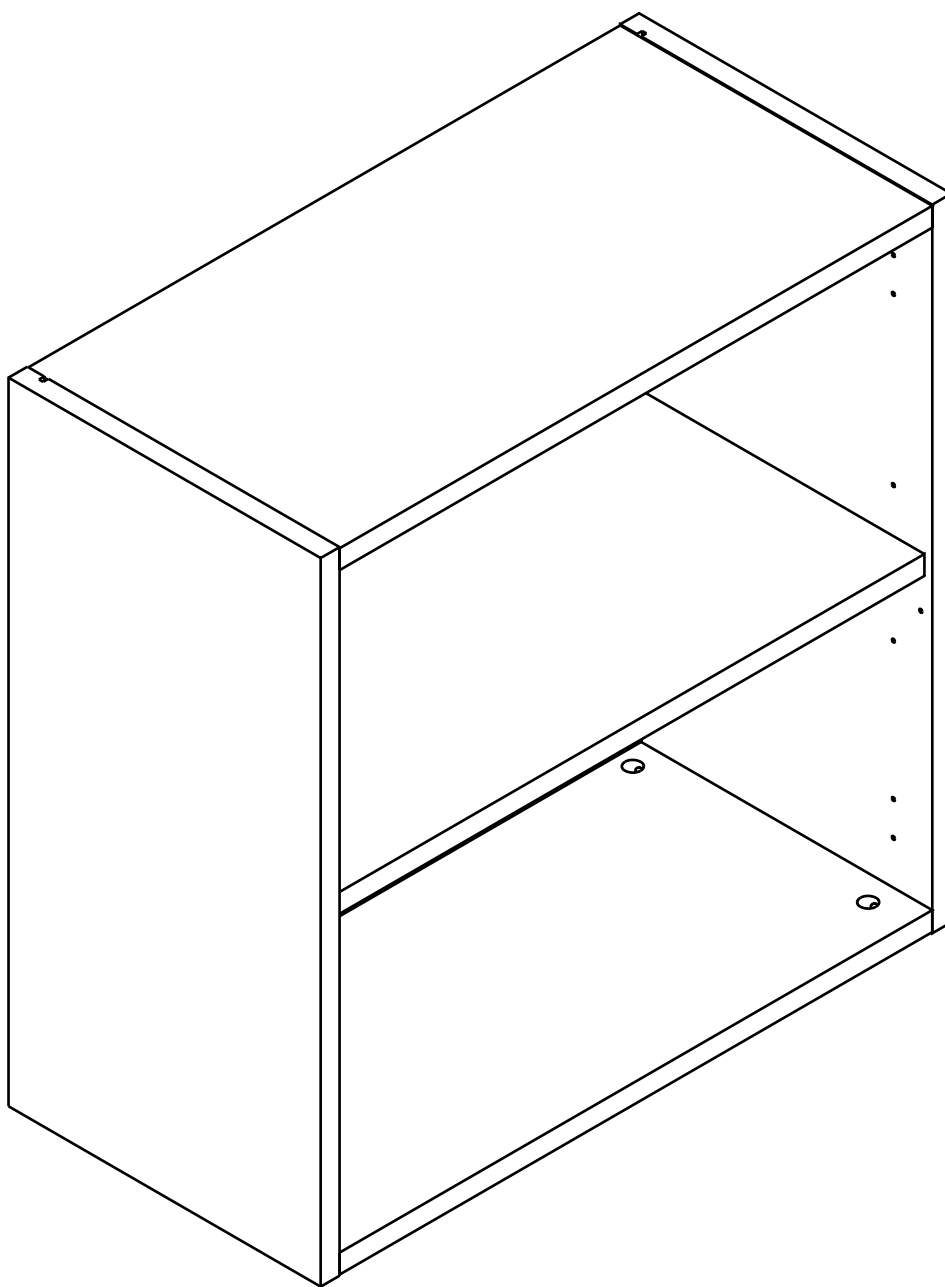
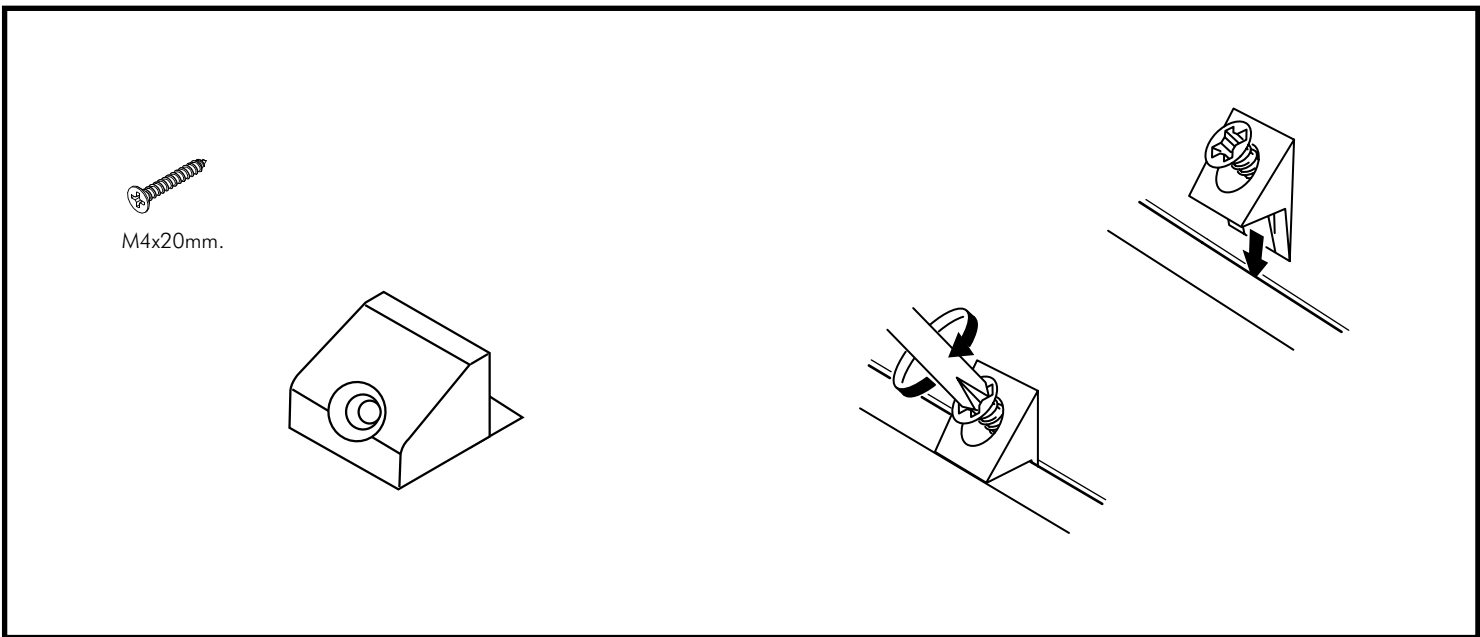
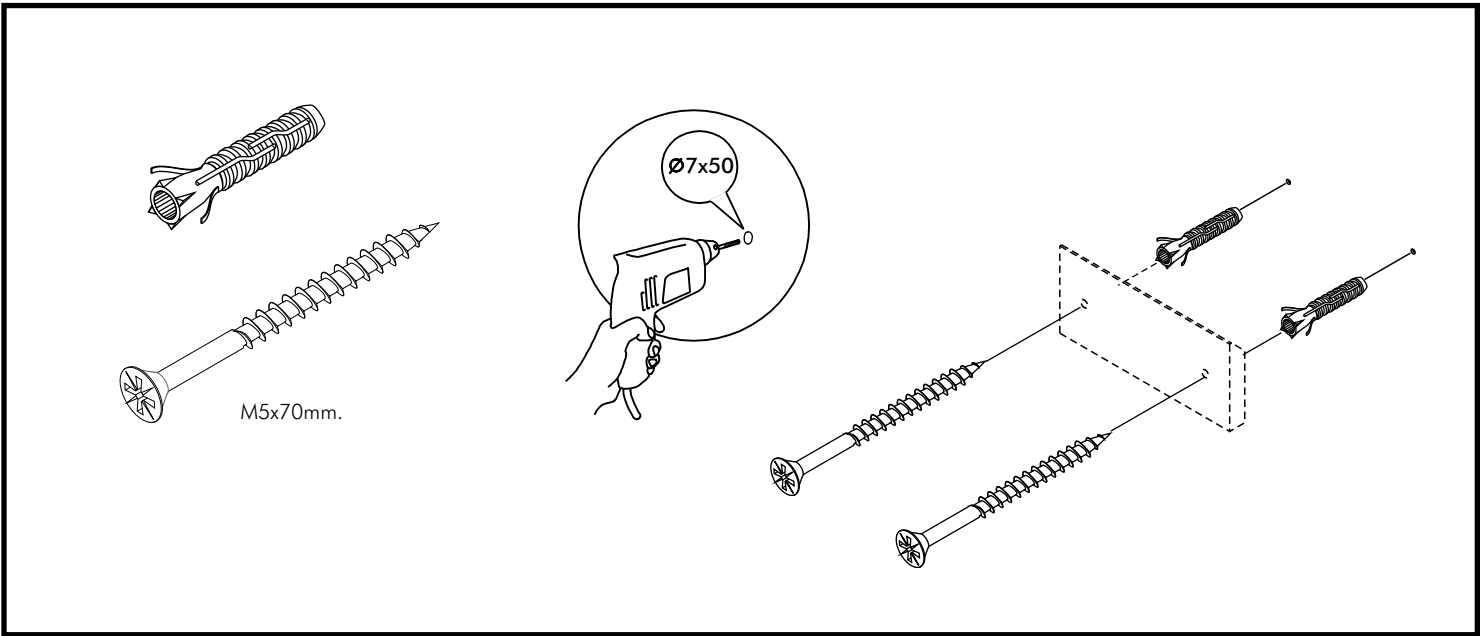


# EXTREME

Wall cabinet 60x60 cm.

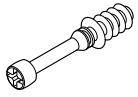


# CONNECT SYSTEM



# HARDWARE

## -BODY SET

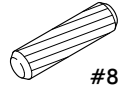


**x 8**



19mm.

**x 8**

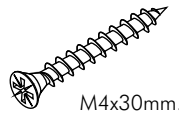


#8x35

**x 14**



**x 4**



M4x30mm.

**x 2**



**x 8**

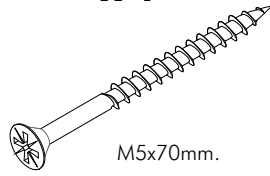


**x 4**



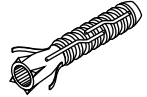
M4x20mm.

**x 4**



M5x70mm.

**x 3**

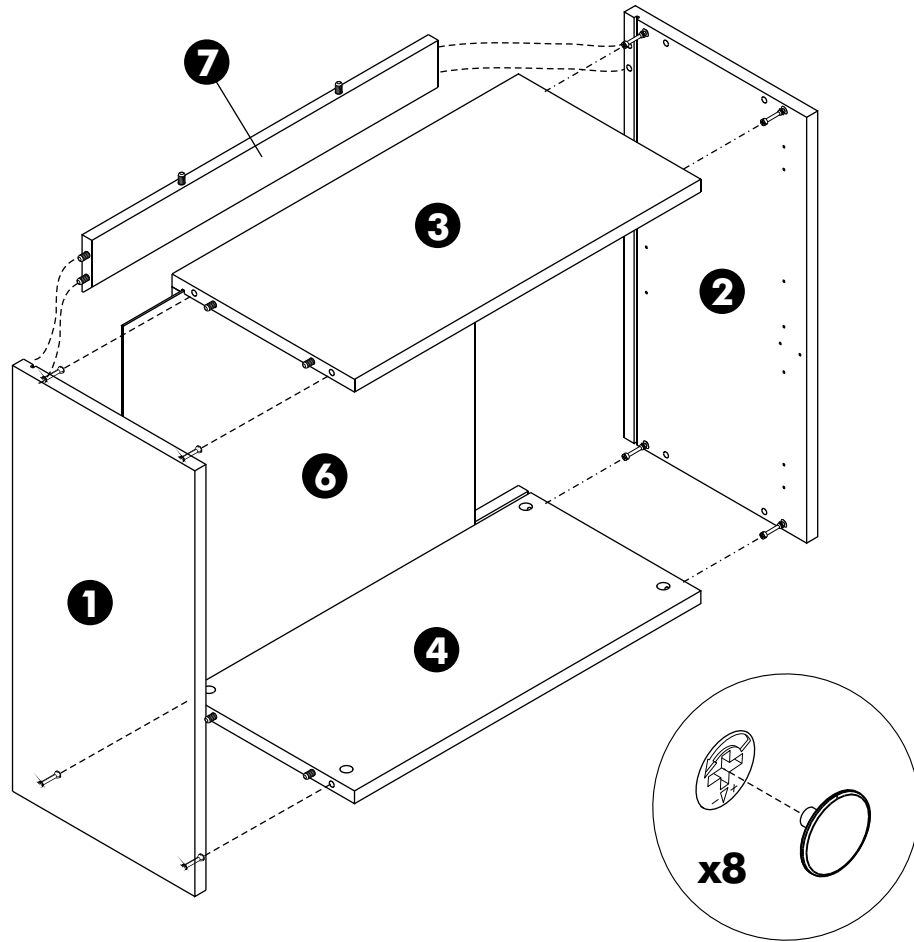


**x 3**

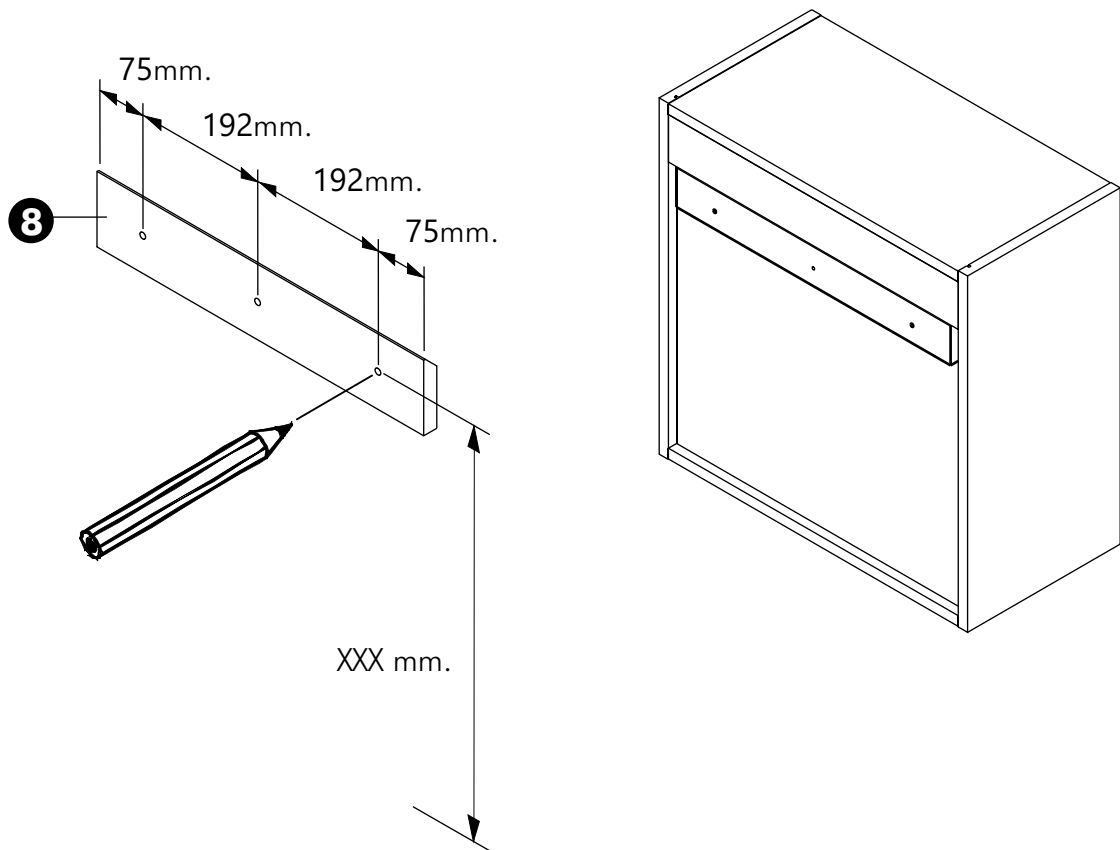
# ASSEMBLY

-BODY SET

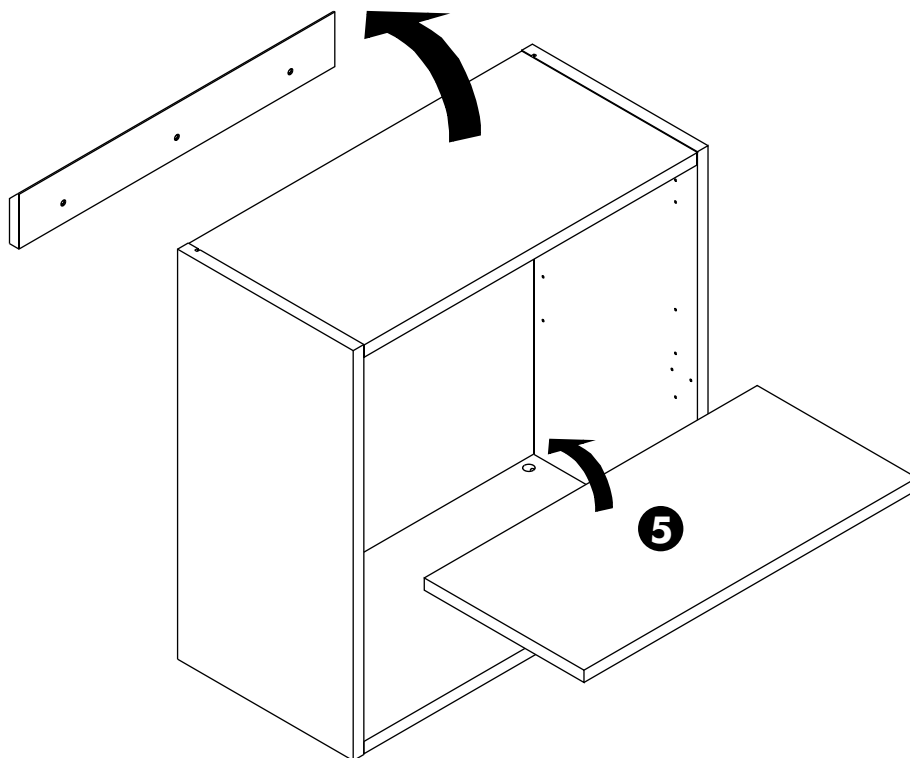
1.



2.



**3.**



**4.**

