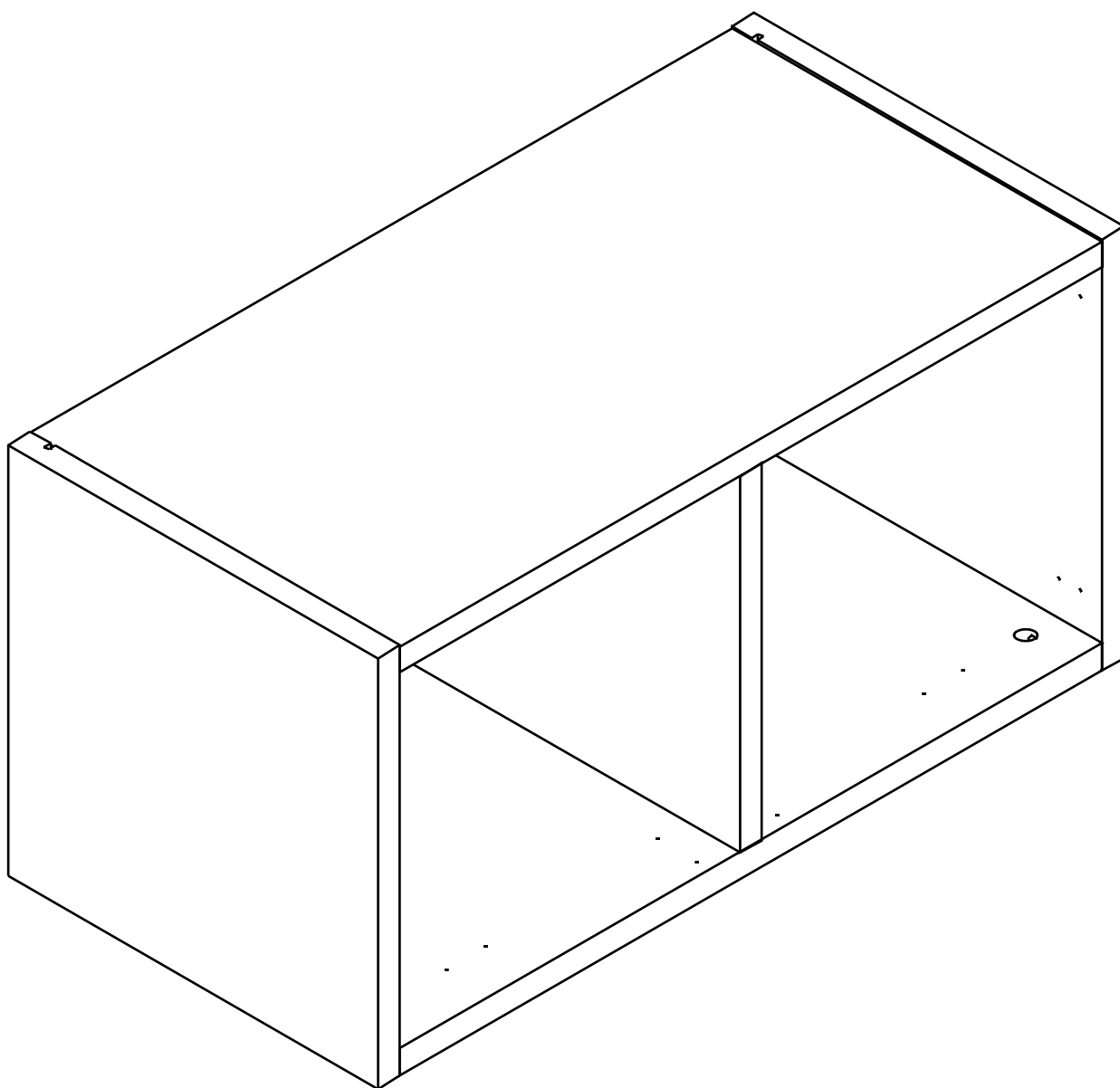
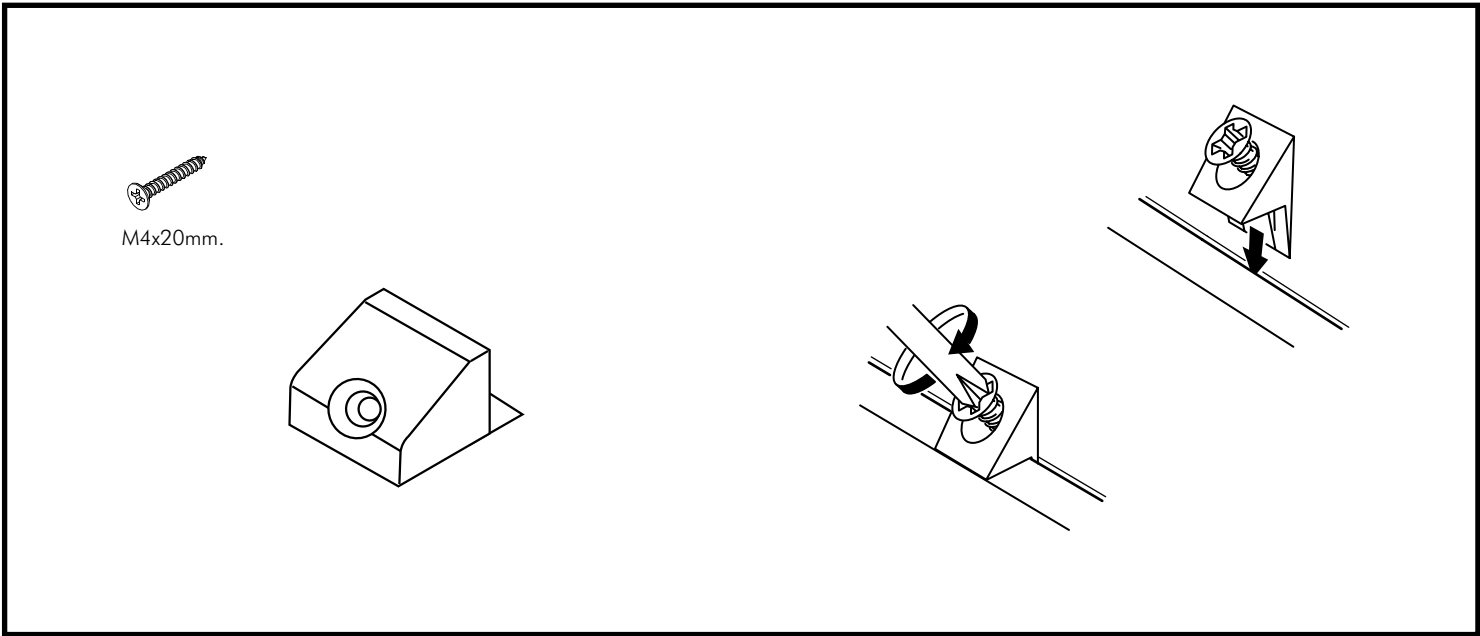
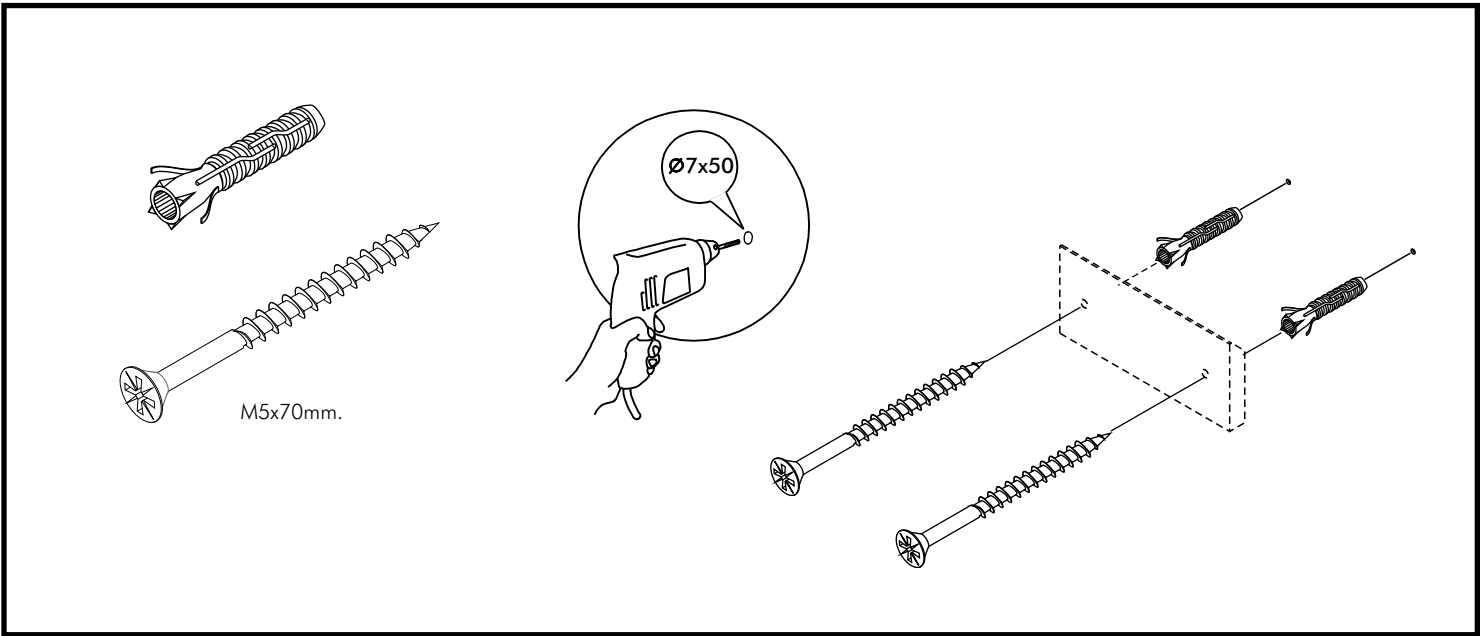


# EXTREME

Wall cabinet 60x30 cm.

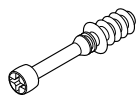


# CONNECT SYSTEM



# HARDWARE

## -BODY SET

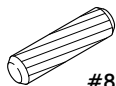


**x 12**



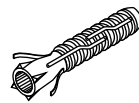
19mm.

**x 12**

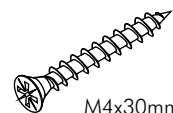


#8x35

**x 18**



**x 3**



M4x30mm.

**x 2**



**x 12**

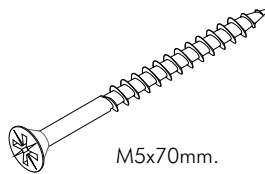


**x 2**



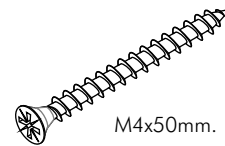
M4x20mm.

**x 2**



M5x70mm.

**x 3**



M4x50mm.

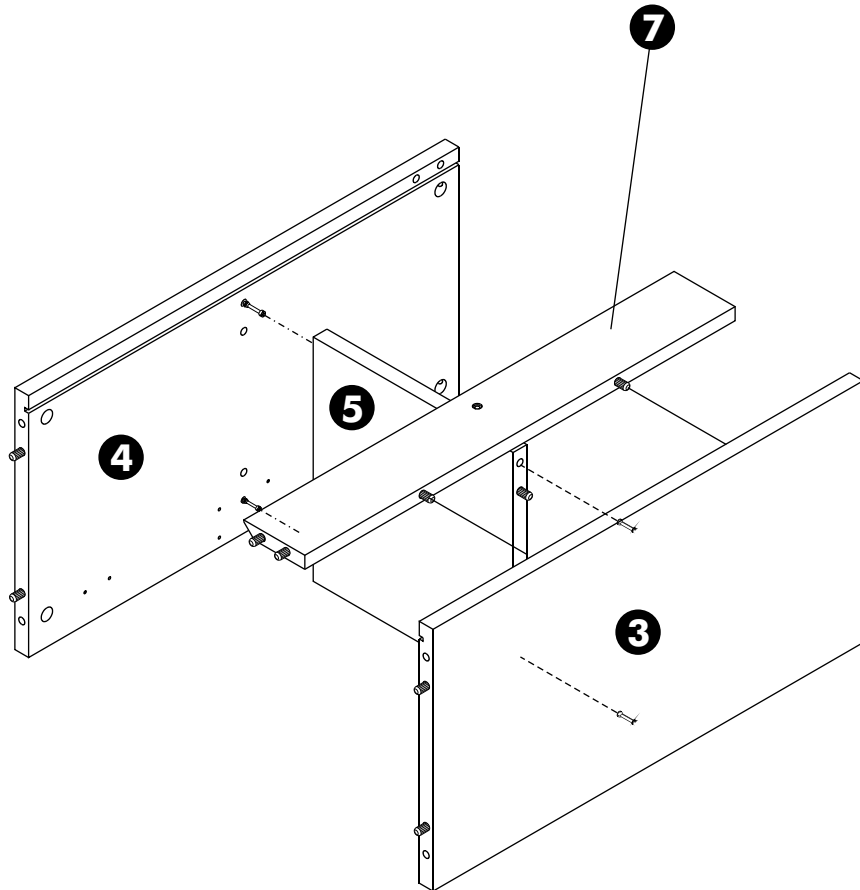
**x 1**

**ASSEMBLY**

-BODY SET

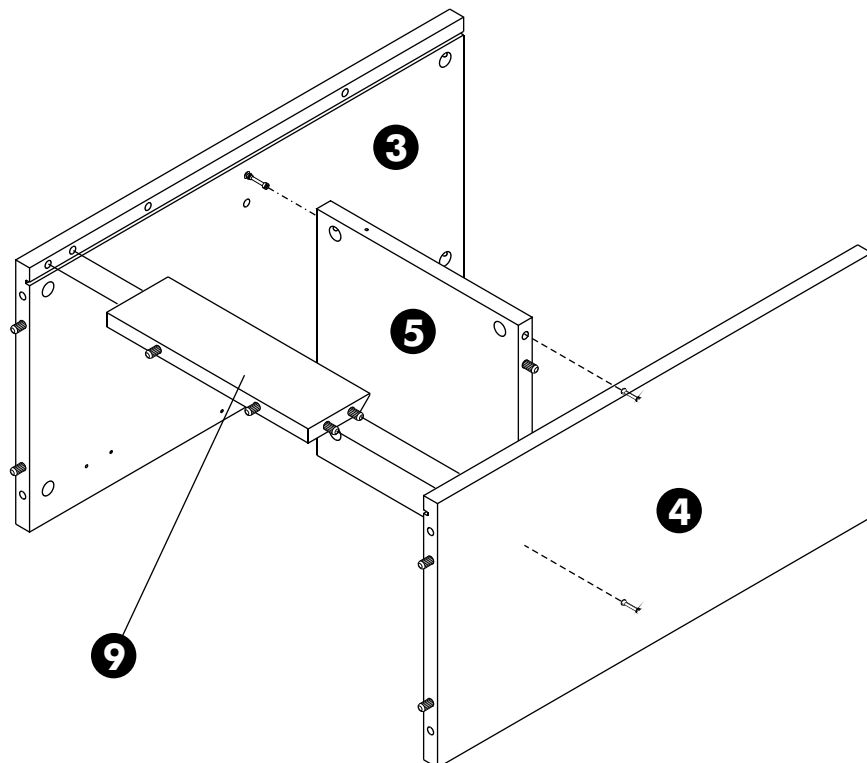
**1.1**

Horizontal

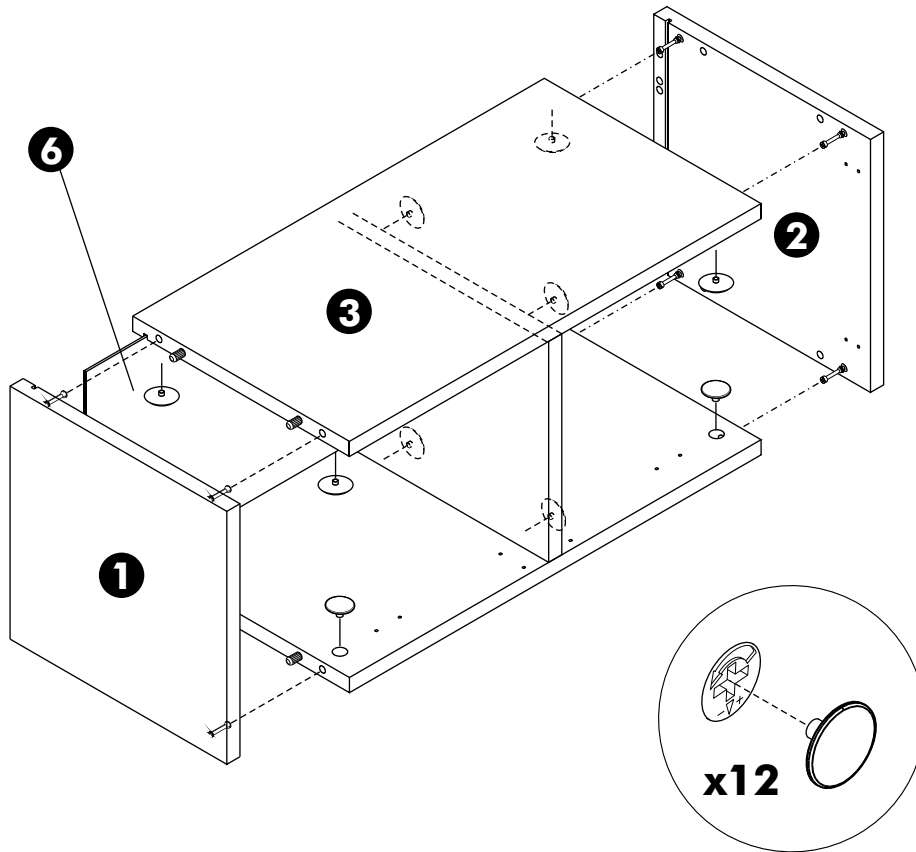


**1.2**

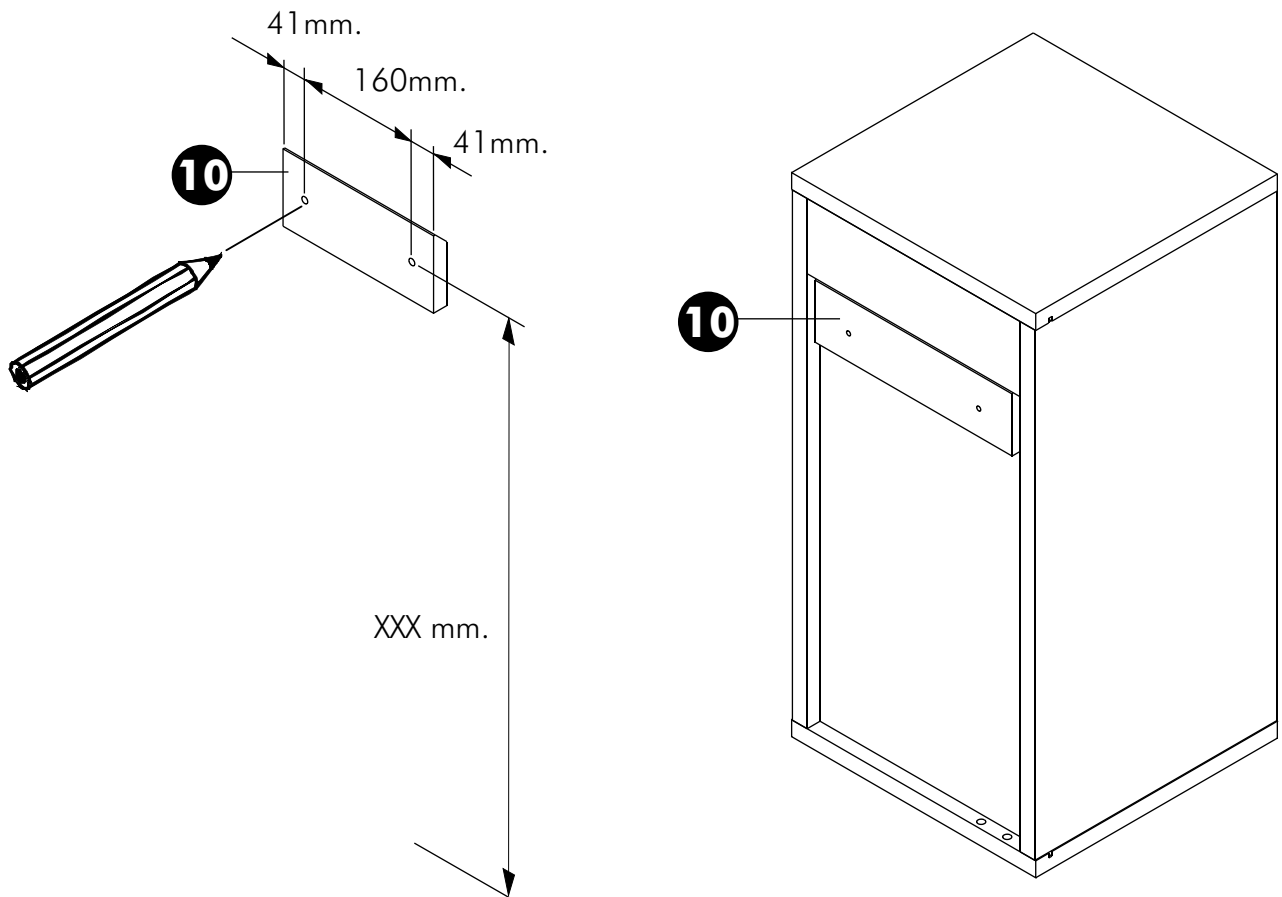
Vertical



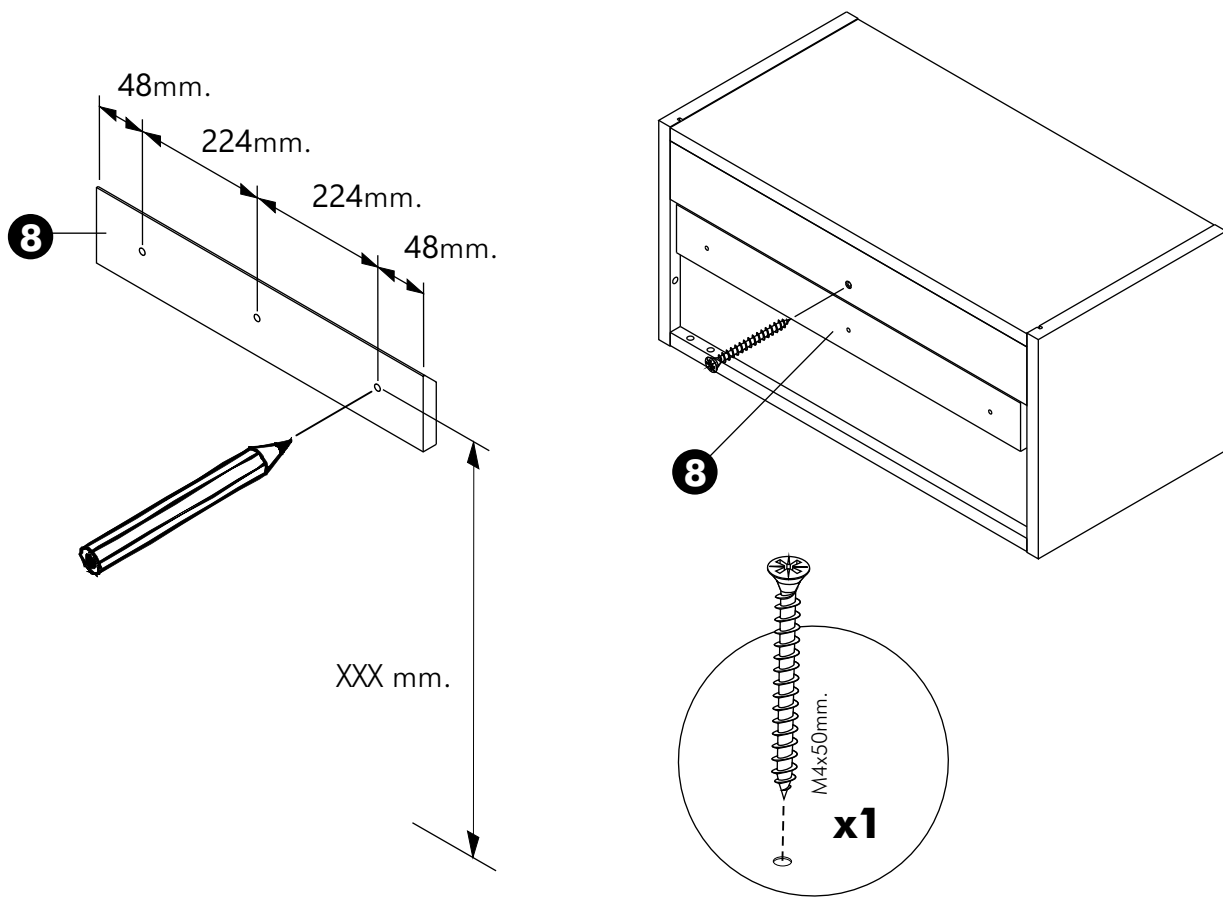
**2.**



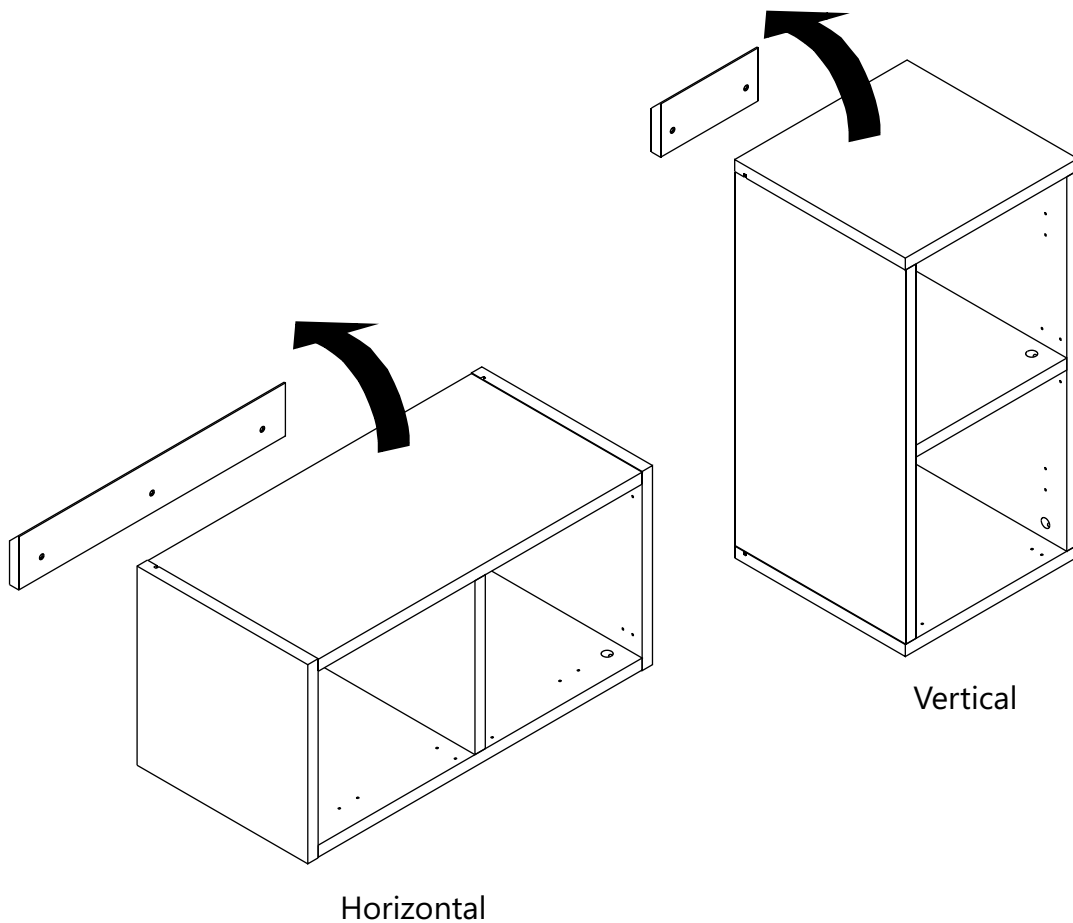
**3. Vertical**



### 3. Horizontal



### 4.



# 5.

