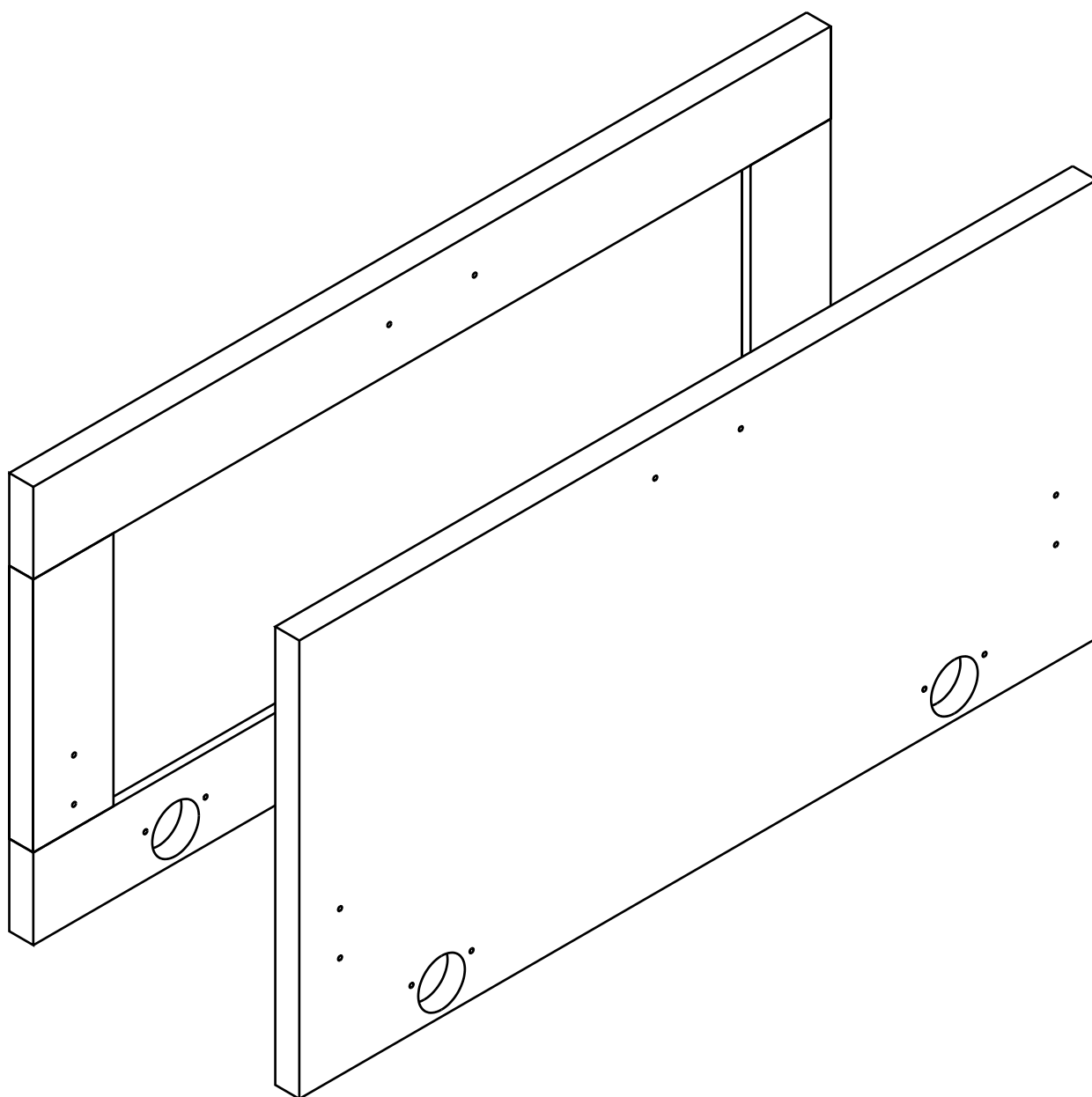


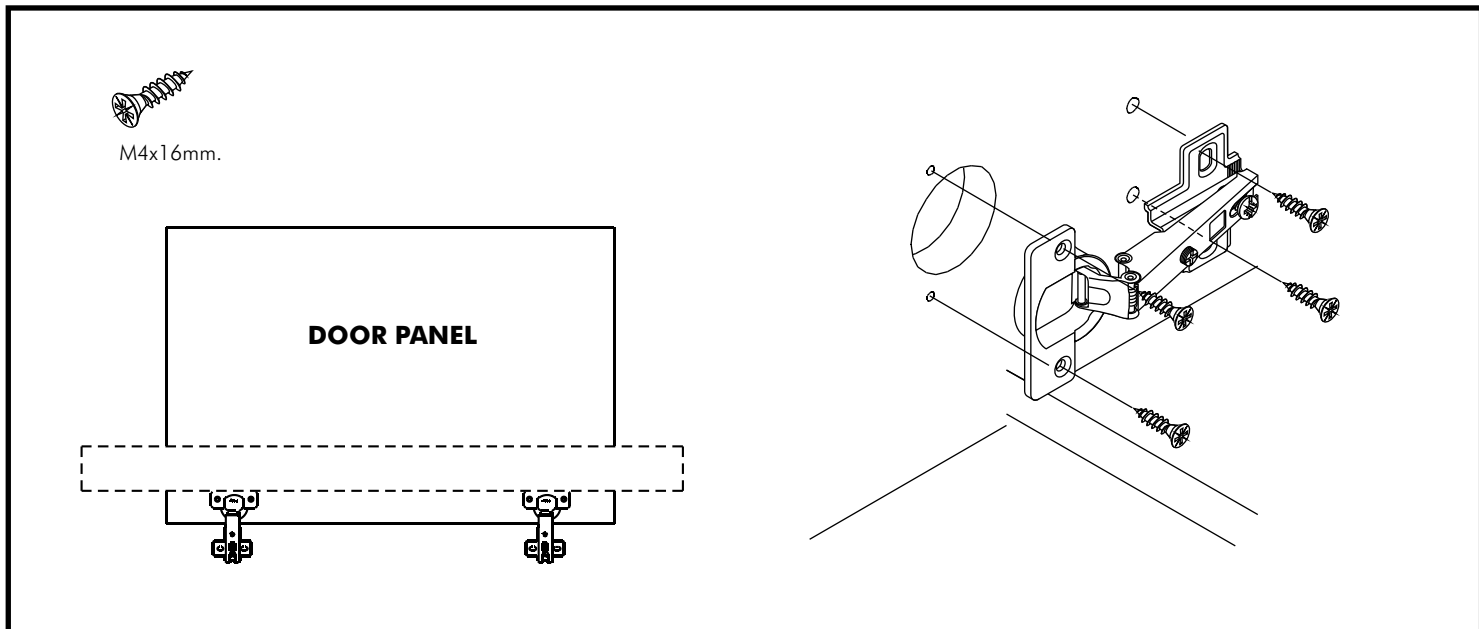
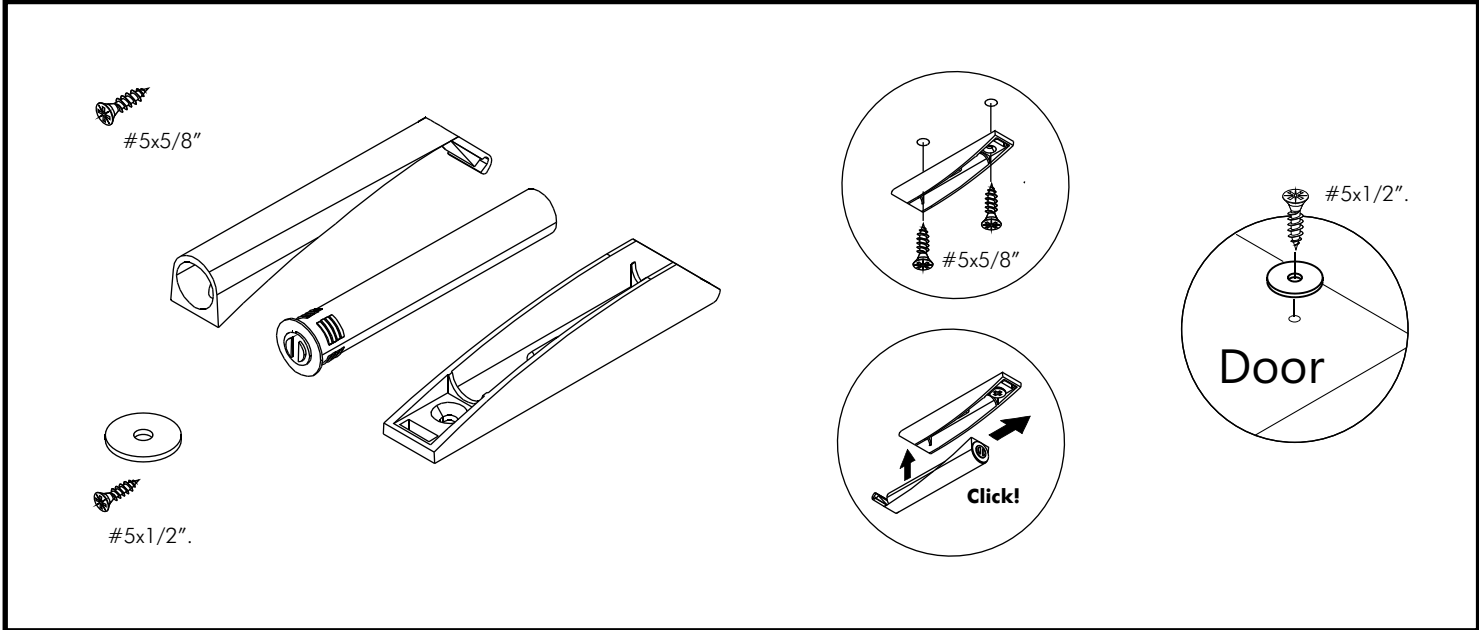
# EXTREME

**Glass door 60x30 CM**

**Wooden door 60x30 CM**

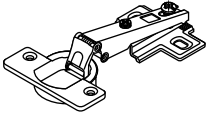


# CONNECT SYSTEM

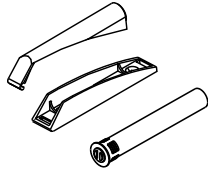


# HARDWARE

-DOOR SET



**x 2**



**x 1**



**x 1**



M4x16mm.

**x 8**



#5x1/2".

**x 1**



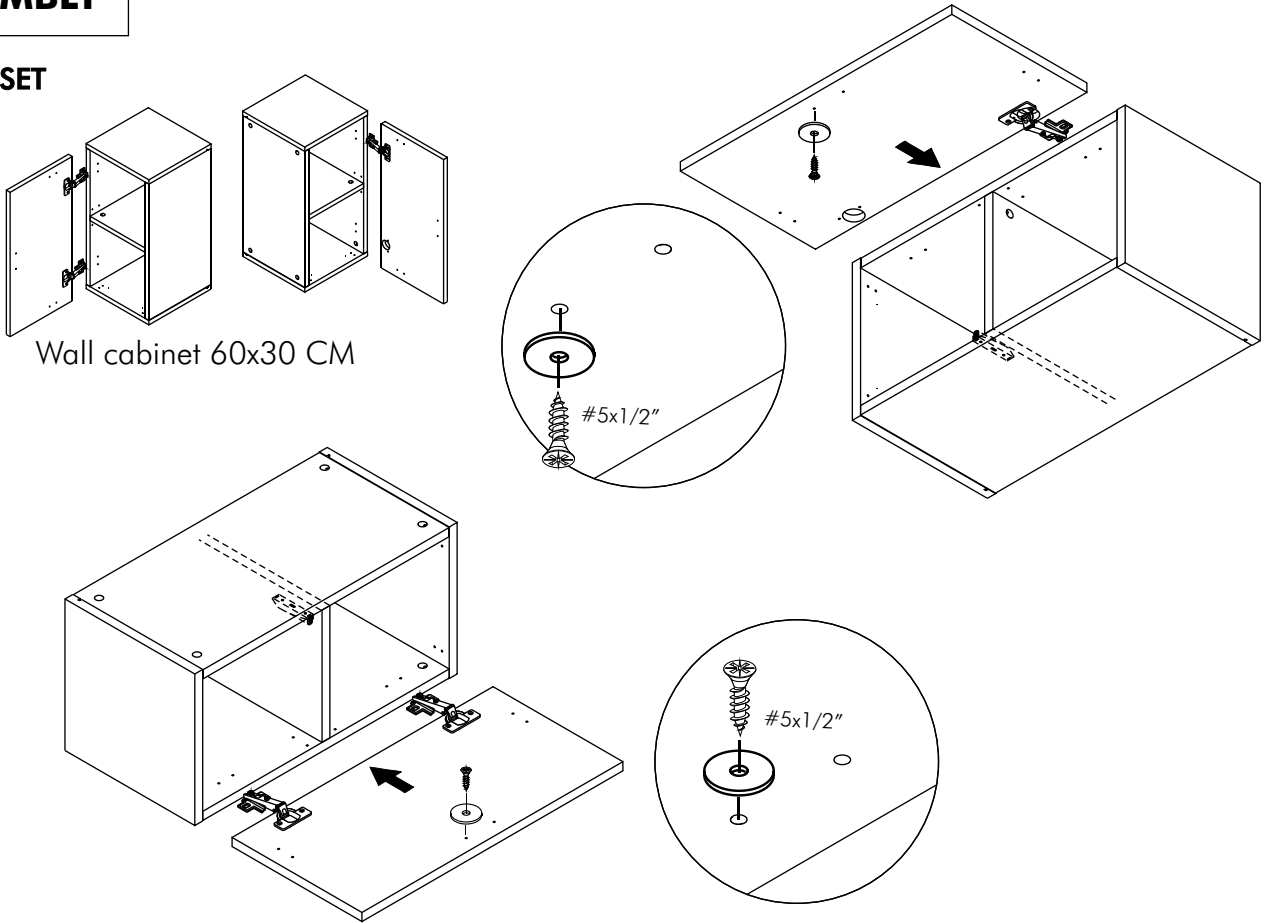
#5x5/8"

**x 2**

# ASSEMBLY

## -DOOR SET

1.



2.

Wall cabinet 120x30 CM

