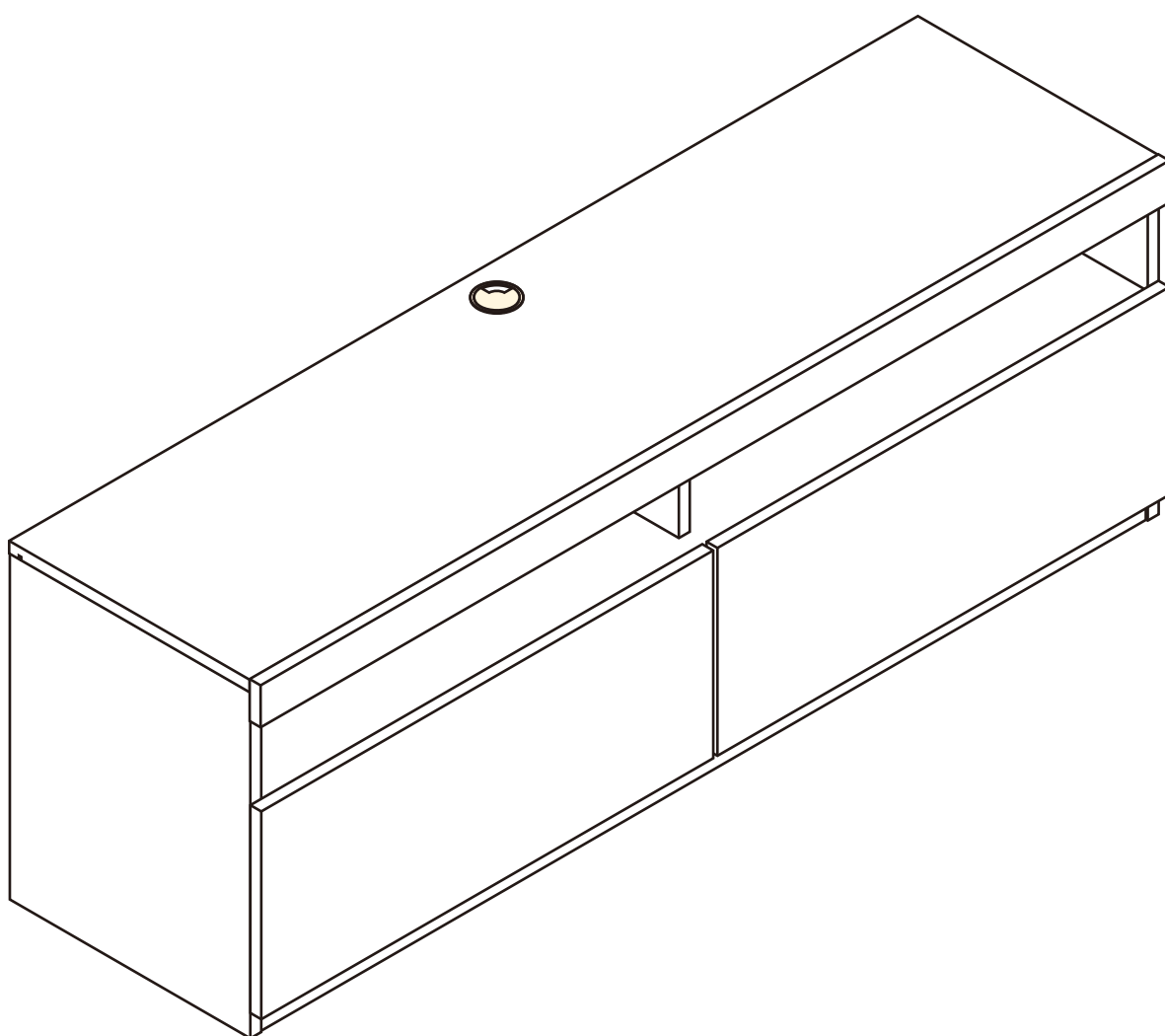


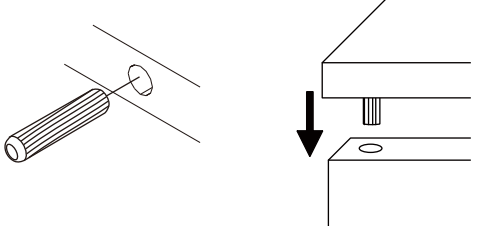
ORGANO

Tv stand 150 cm

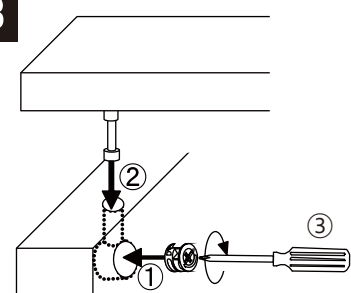


CONNECT SYSTEM

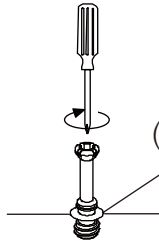
1



3




2




(Connecting bolts)

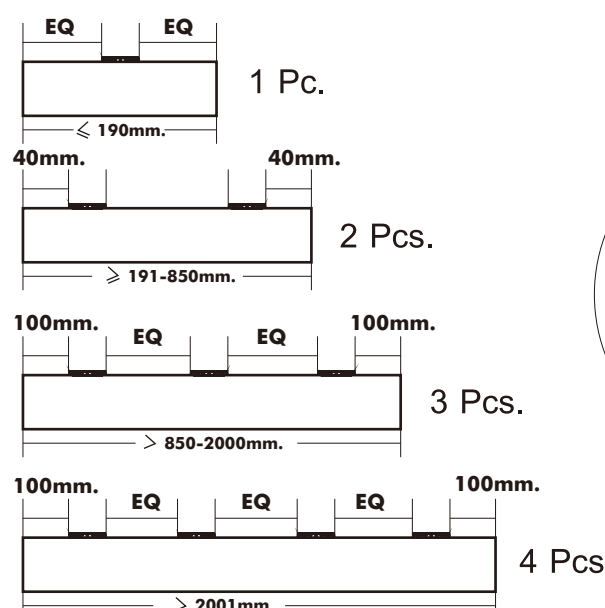
WHEN FITTING CAMS
ENSURE STARTING POSITION IS CORRECT
BEFORE YOU INSERT CONNECTING BOLT
TURN CLOCKWISE UNTIL SECURE

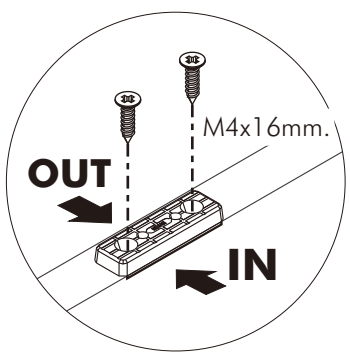


✓
↑
CORRECT



✗
↓
←
→
WRONG



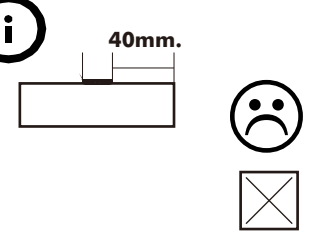


M4x16mm.

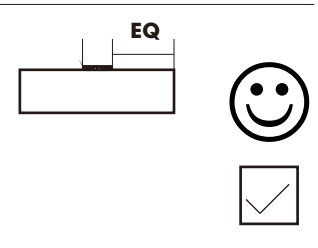
OUT

IN

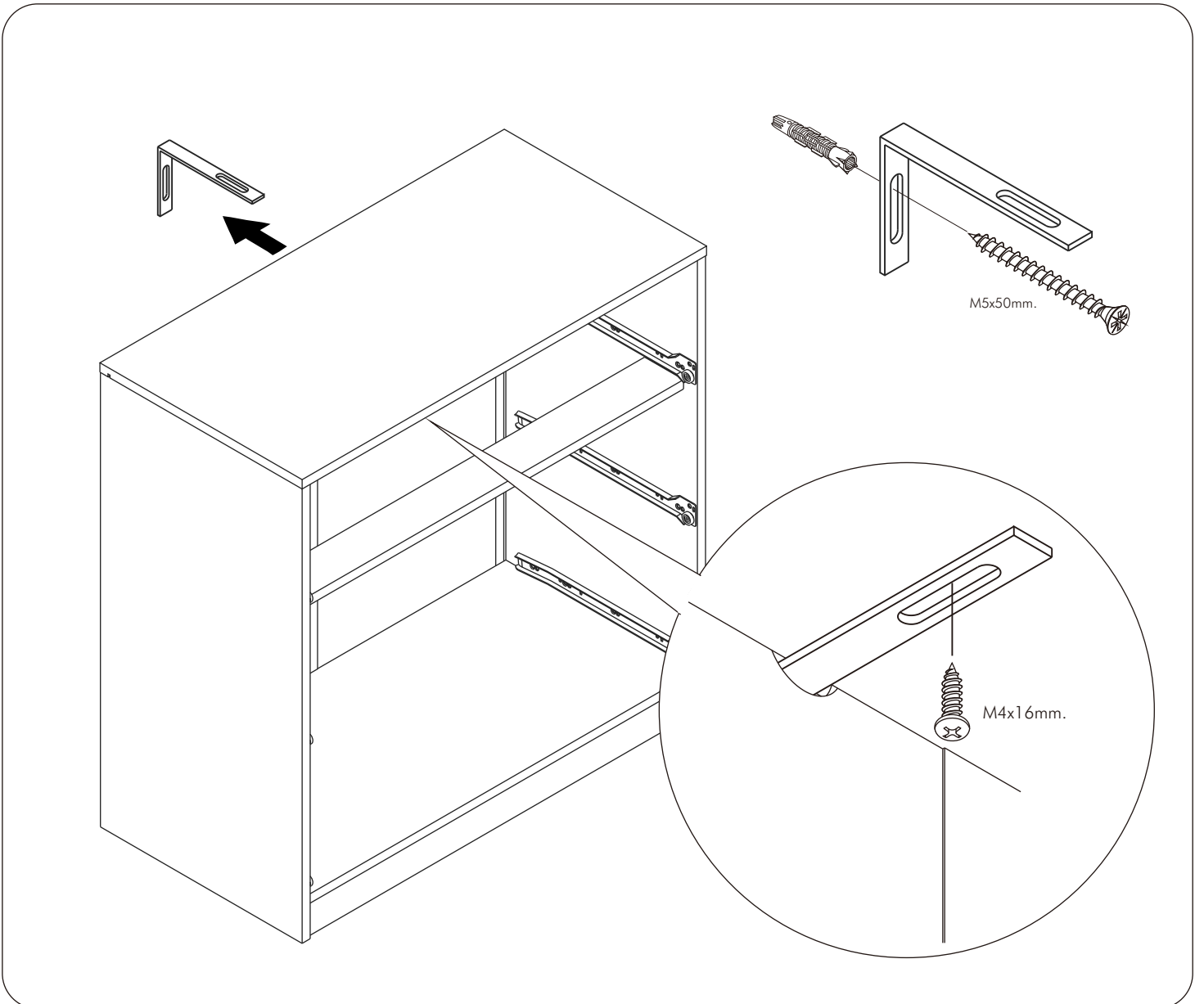
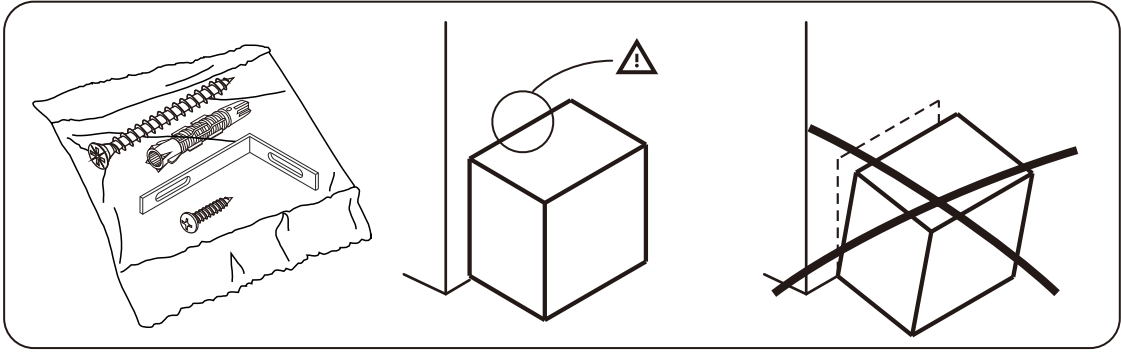
i



40mm.

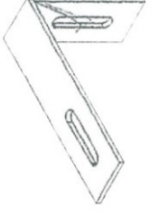


EQ

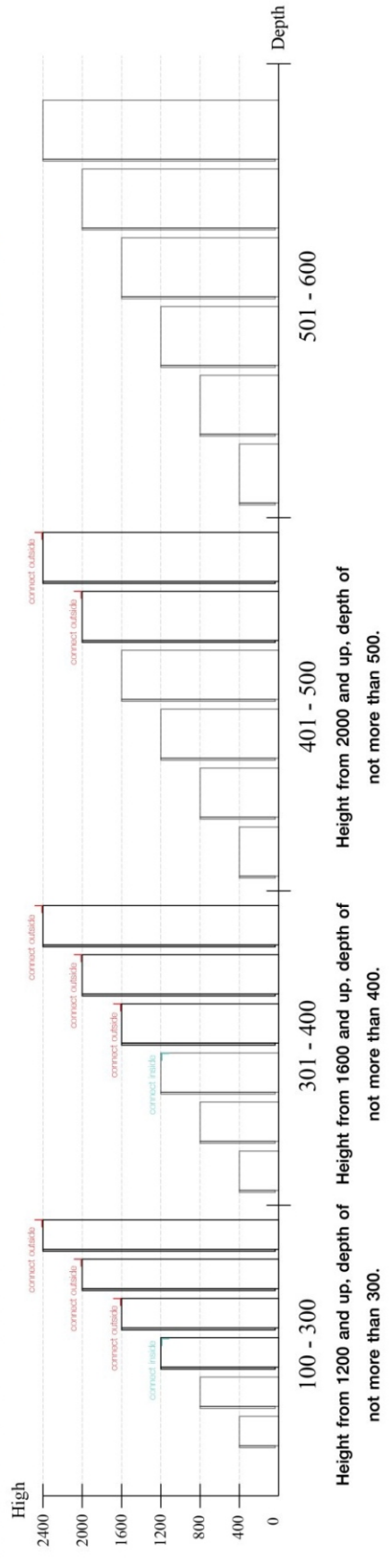


The Standard for identifying which mounted safety fall protection fitting to use **Note : That children's products must be installed with all anti-falling fittings.**

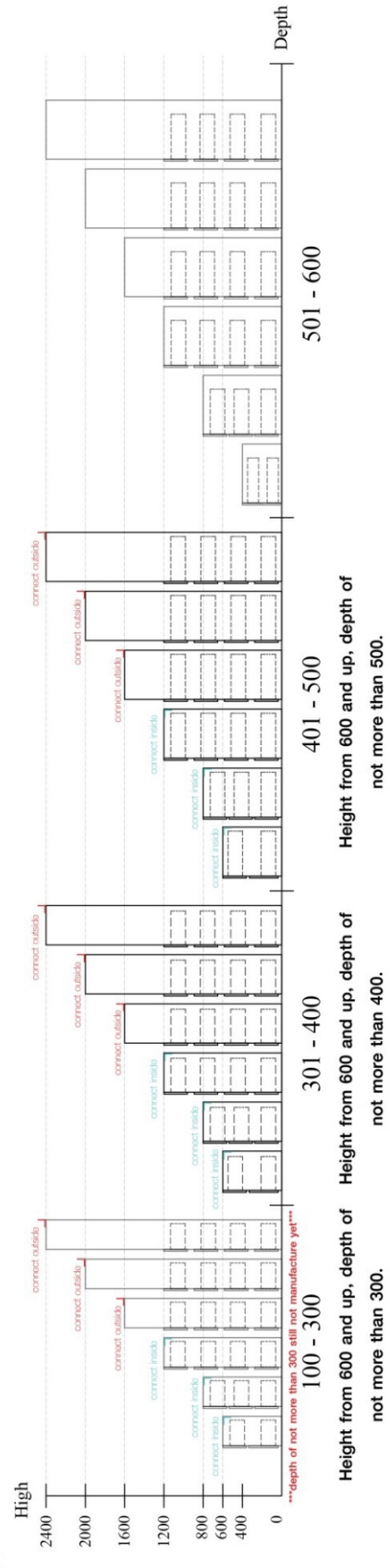
■ Mounted fall protection fittings



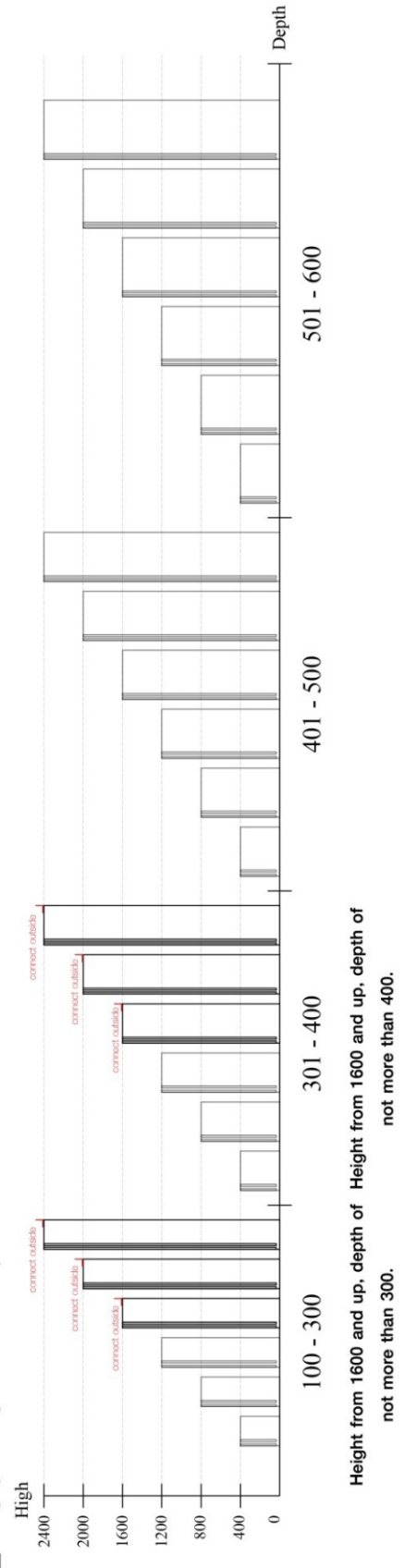
■ Category : Cabinet with open doors



■ Category : Chest of drawers

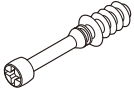


■ Category : Sliding door cabinet / Open cabinet



HARDWARE

-BODY SET

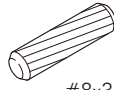


x 15



#19mm.

x 15



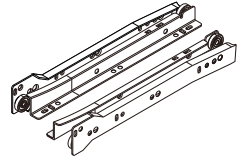
#8x35

x 22



#M4x16(P)

x 9

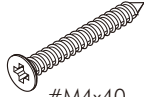


x 2 Set



#M5x10.5

x 9



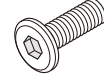
#M4x40

x 27



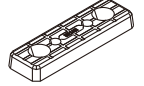
#M3.5x13

x 19



#TFL4 M6x23

x 10



x 10

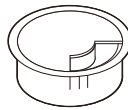


x 5

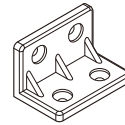


#M4x20

x 5



x 1

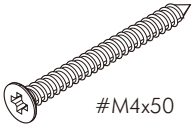


x 4



#M4x16

x 36

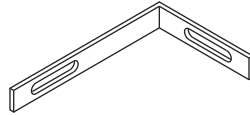


#M4x50

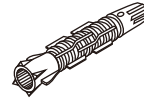
x 9



x 1

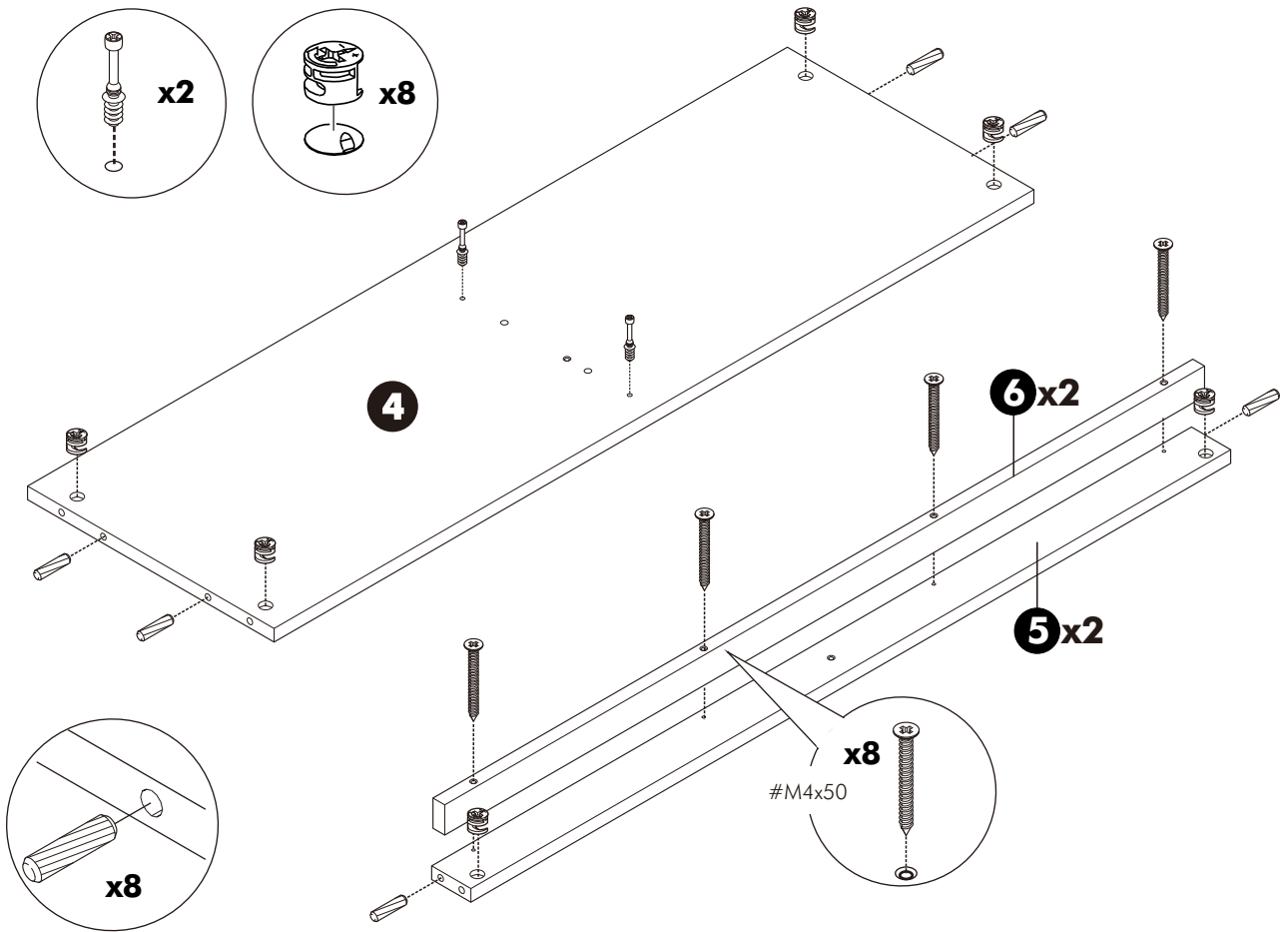


x 1

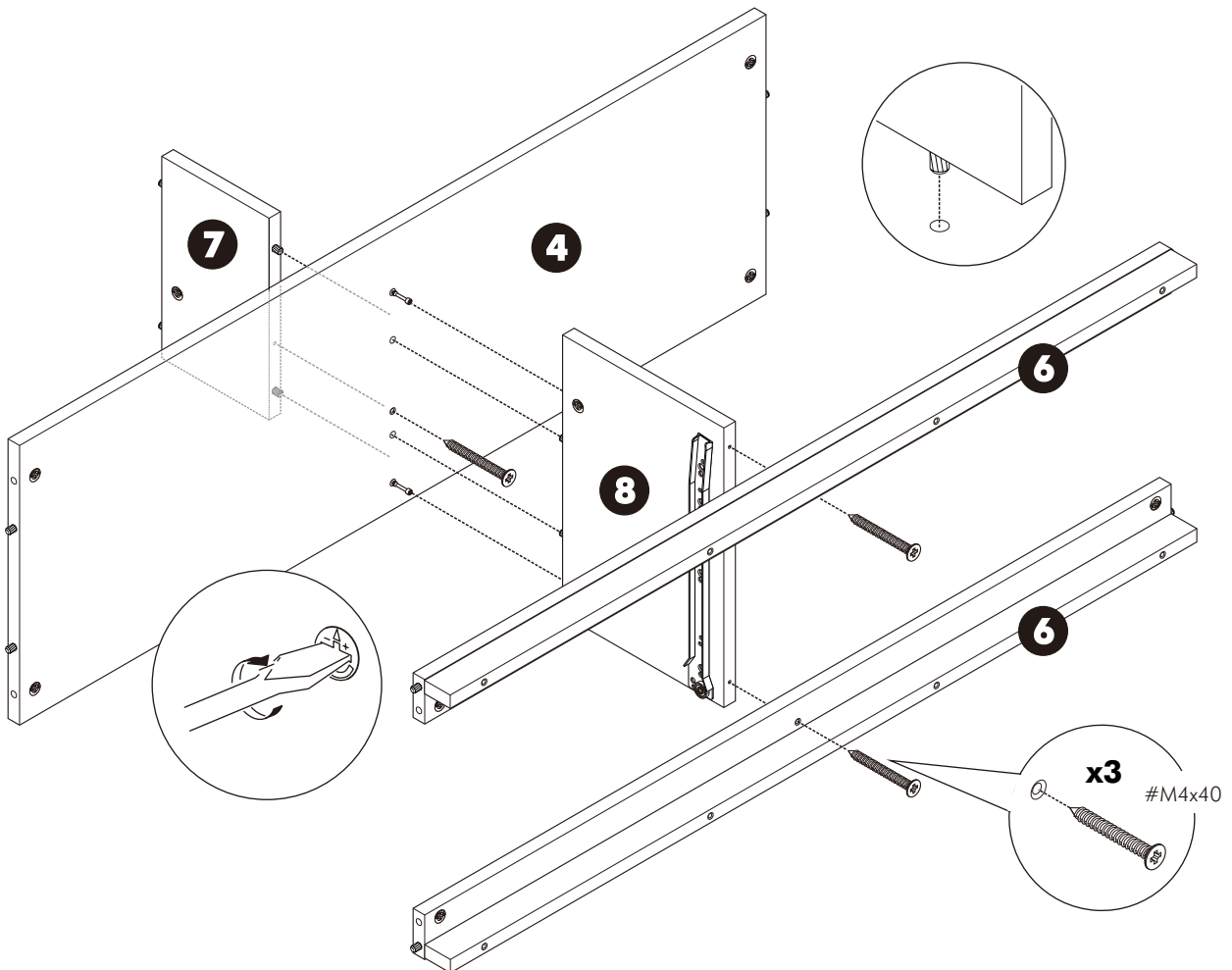


x 1

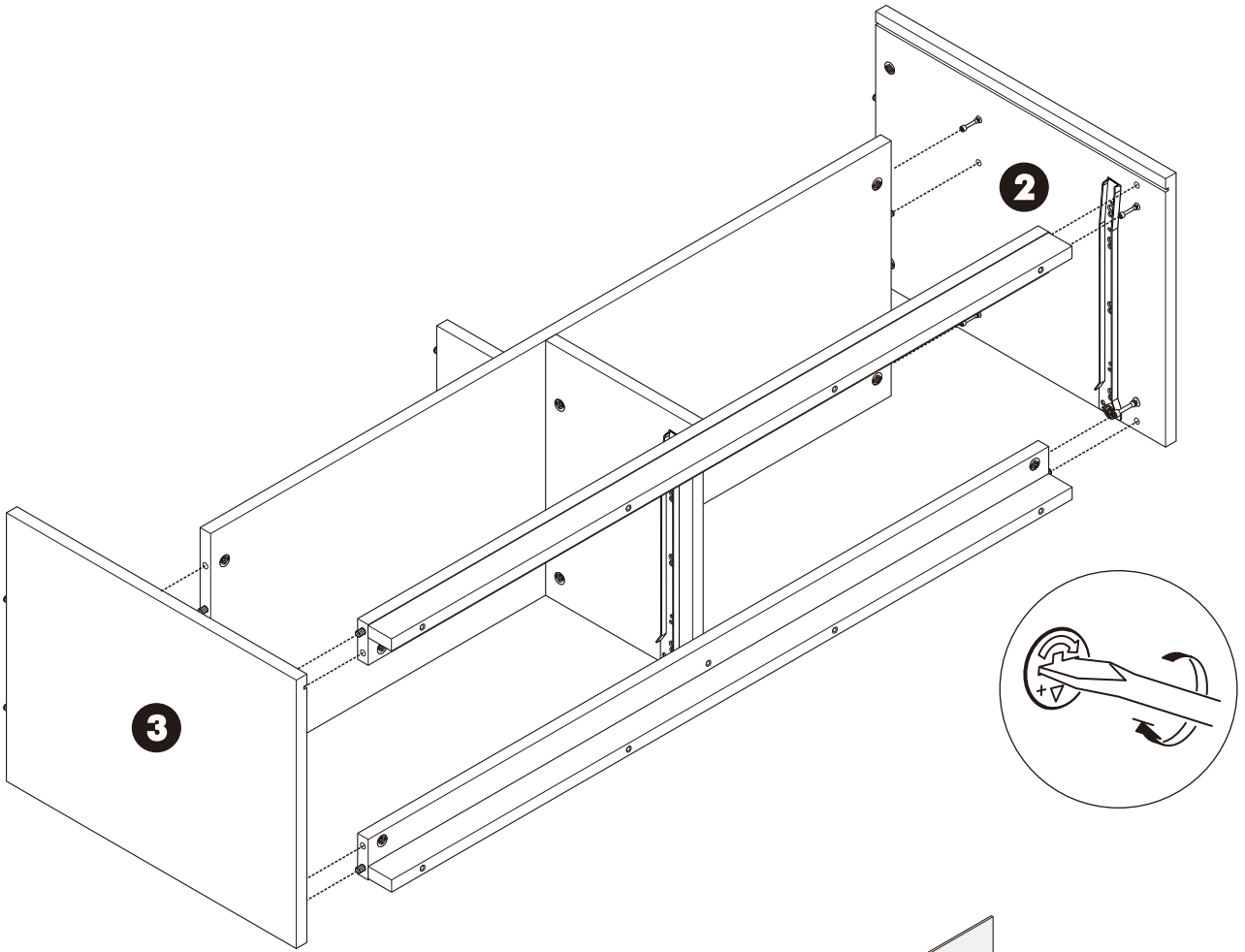
3.



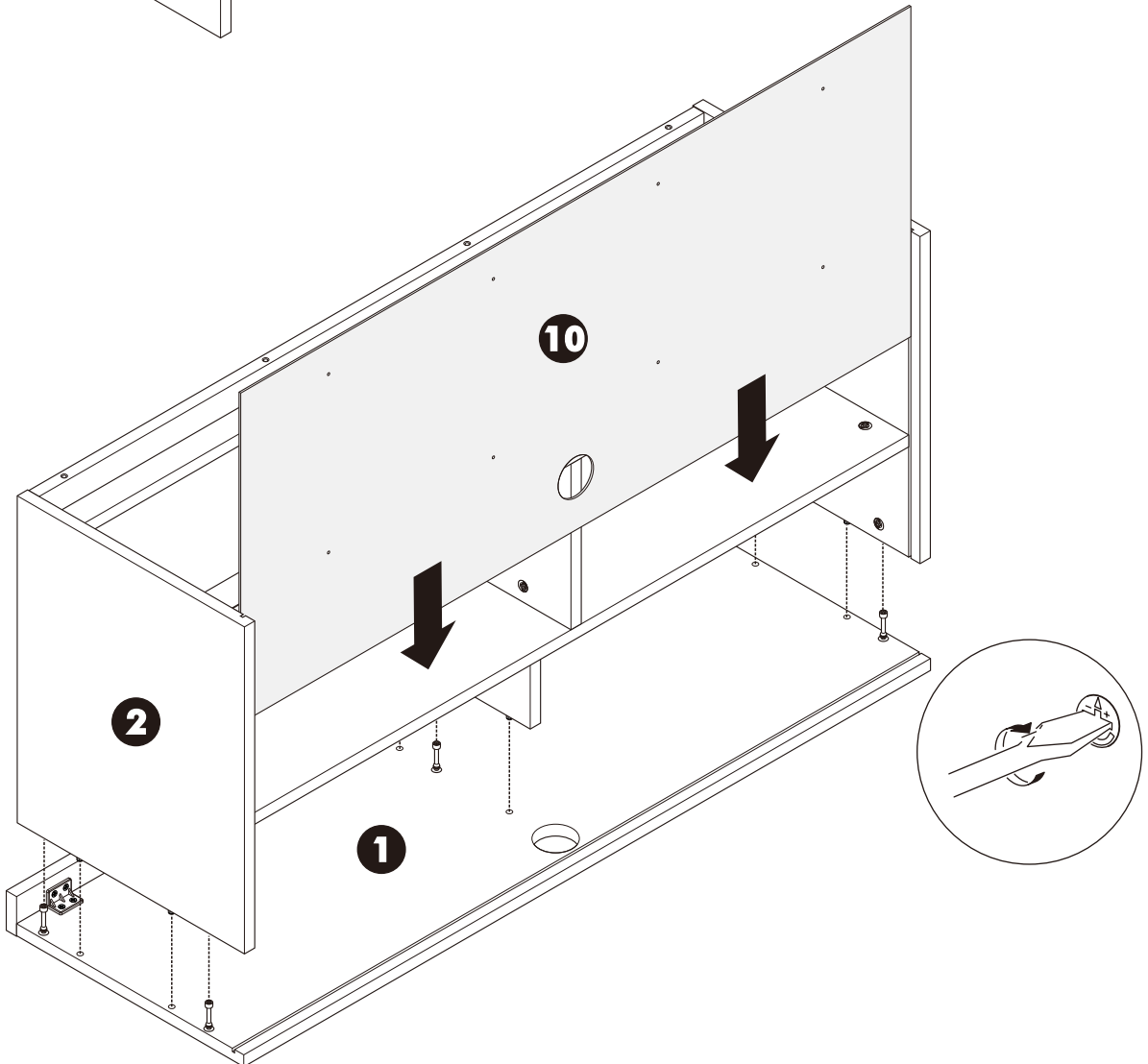
4.



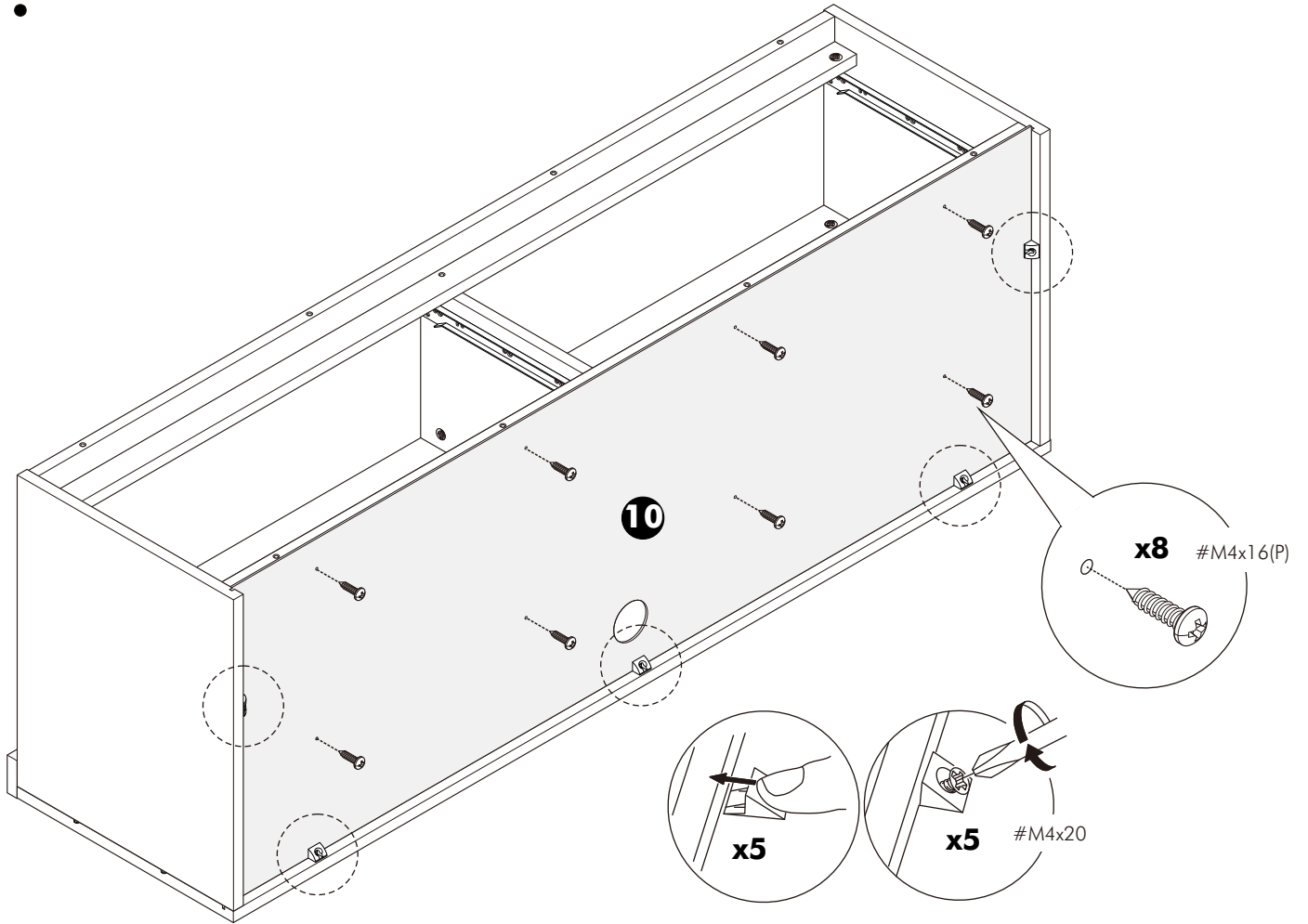
5.



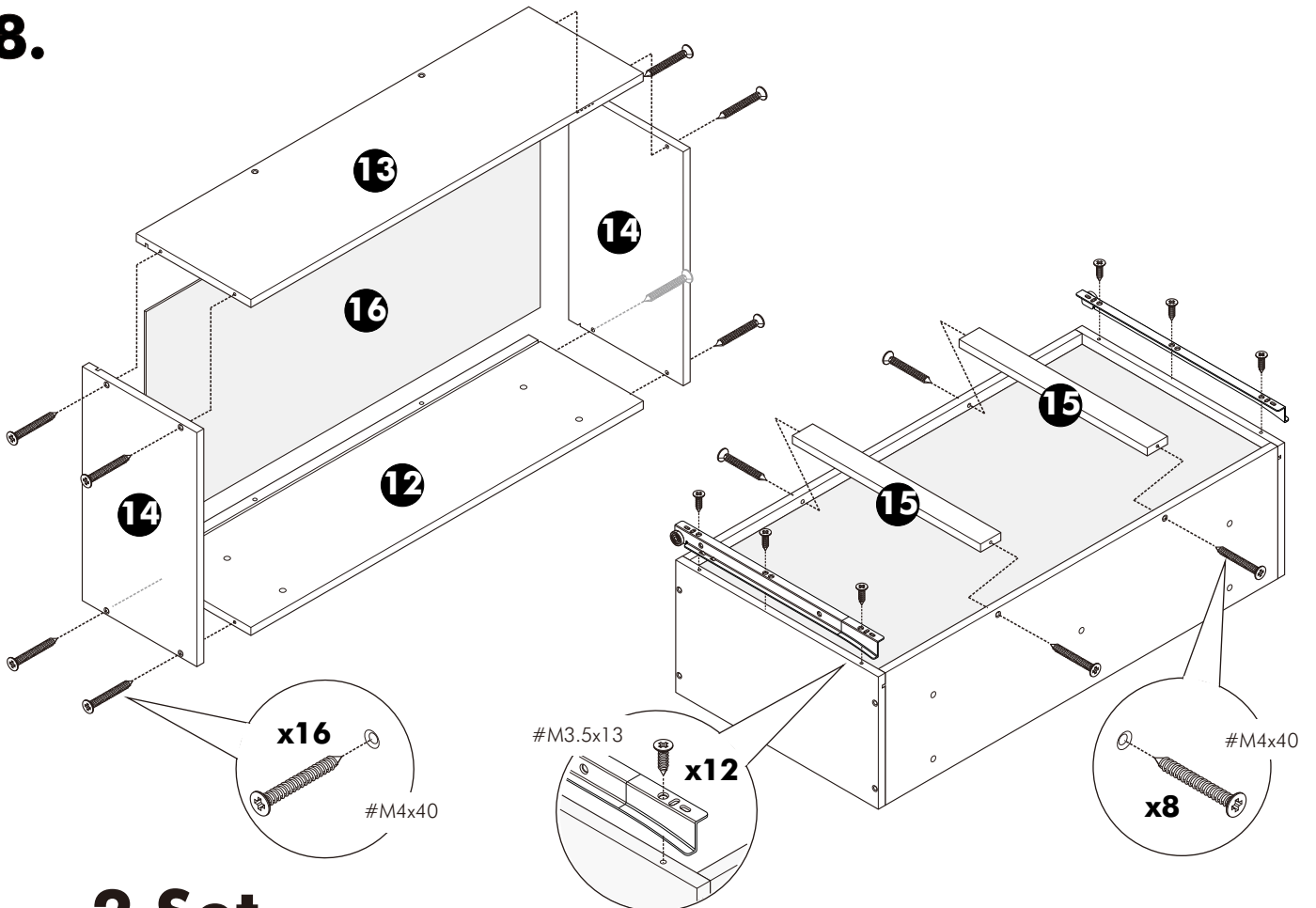
6.



7.

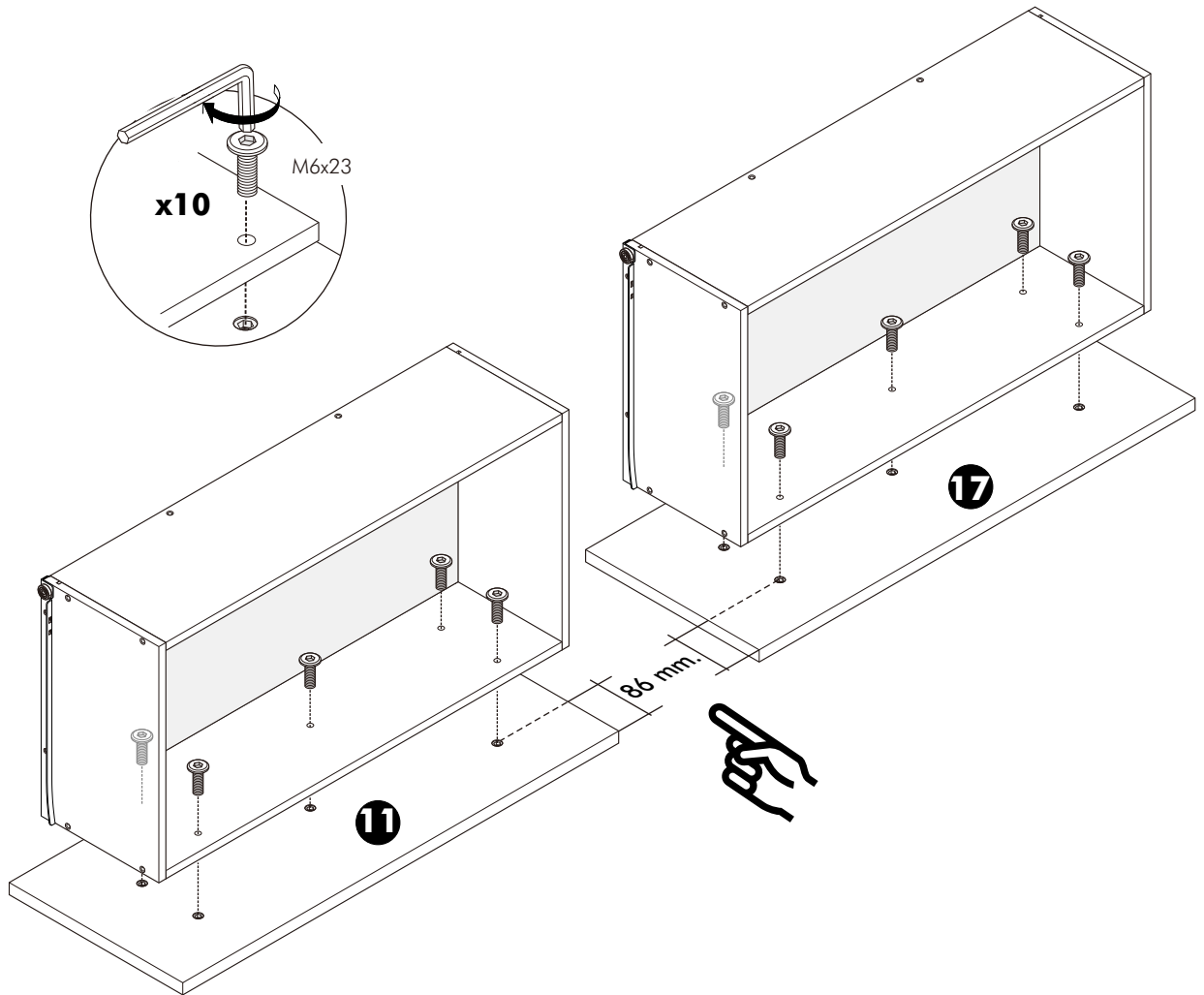


8.



2 Set

9.



10.

