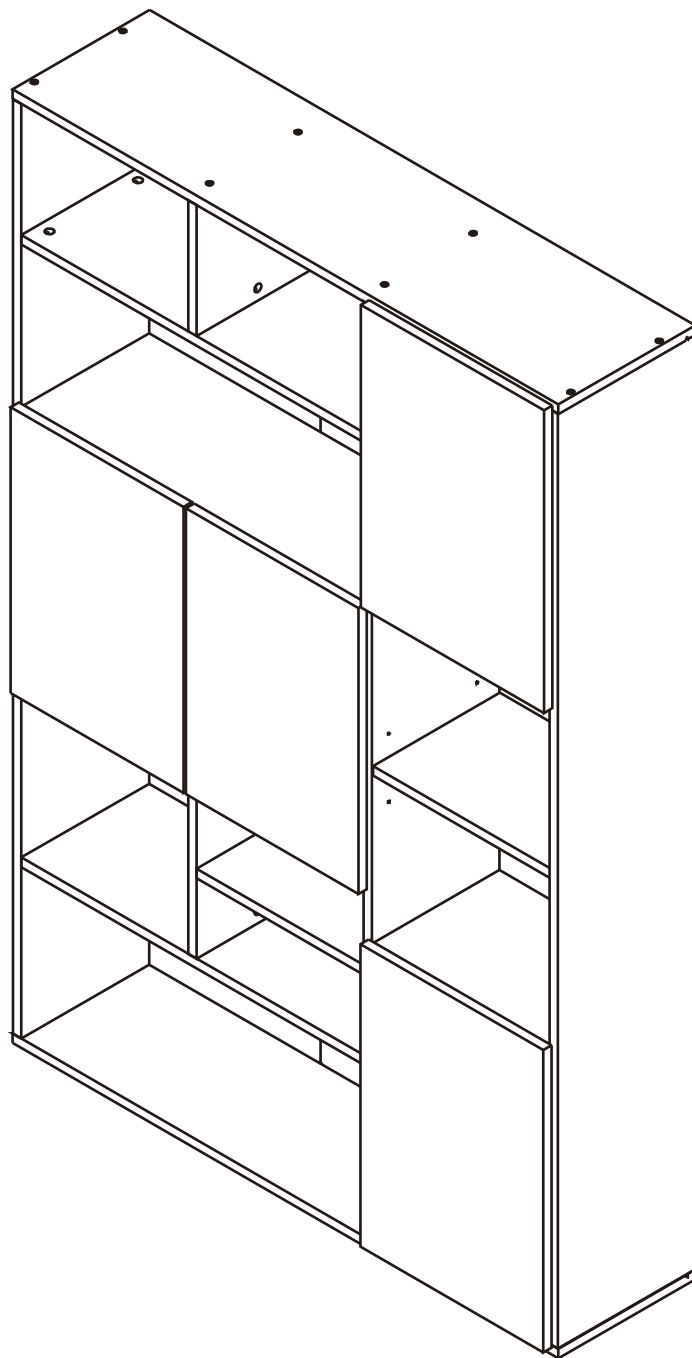


# CASSA

Shelf 120 cm.



# CONNECT SYSTEM

**1**

**3**

**2**

(Connecting bolts)

**WHEN FITTING CAMS**  
 ENSURE STARTING POSITION IS CORRECT  
 BEFORE YOU INSERT CONNECTING BOLT  
 TURN CLOCKWISE UNTIL SECURE

✓

↑

**CORRECT**

✗

↓

**WRONG**

**1 Pc.**

EQ EQ

≤ 190mm.

40mm. 40mm.

**2 Pcs.**

≥ 191-850mm.

100mm. EQ EQ 100mm.

**3 Pcs.**

850-2000mm.

100mm. EQ EQ EQ 100mm.

**4 Pcs.**

> 2001mm.

M4x16mm.

**OUT**

**IN**

**i**

40mm.

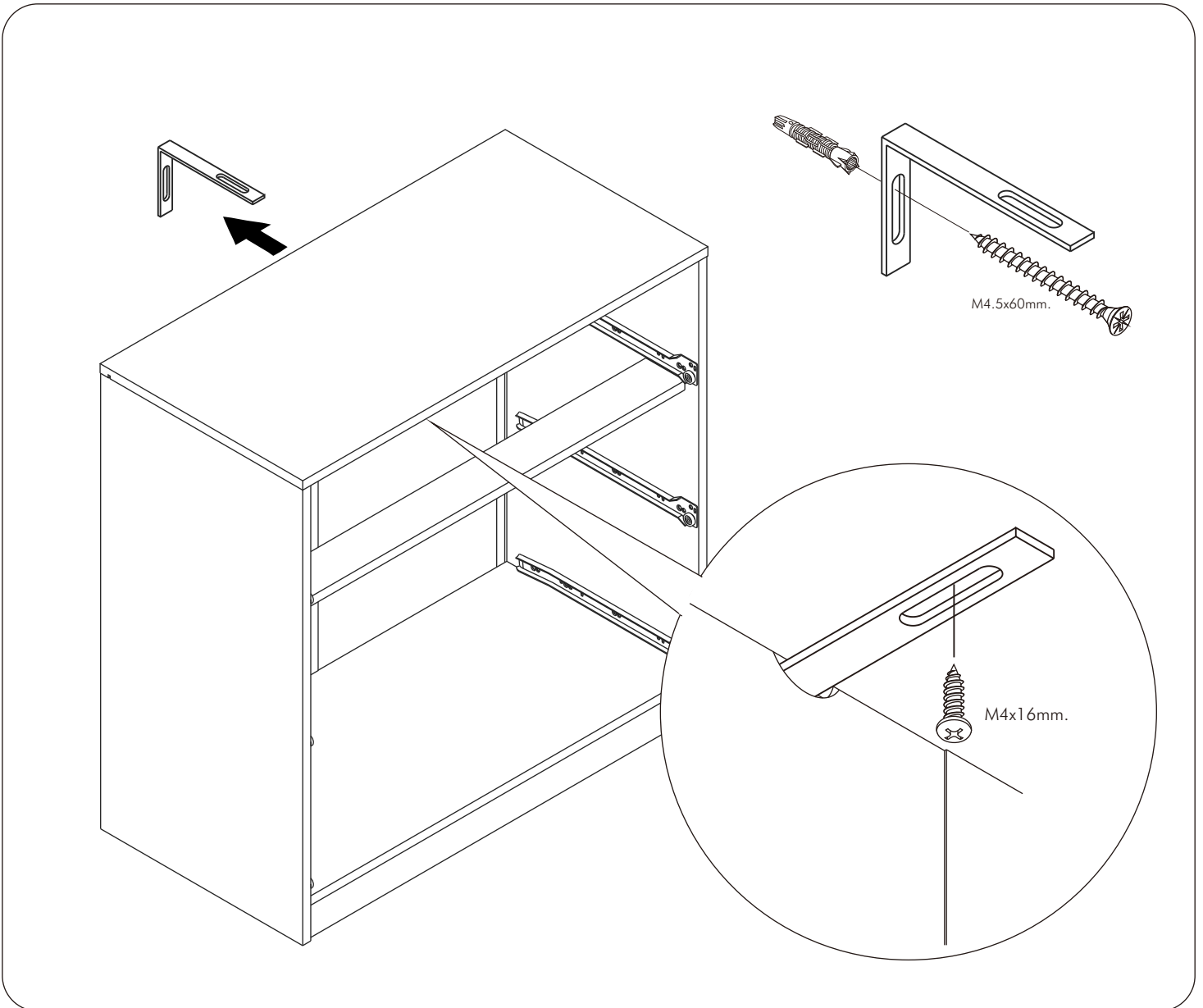
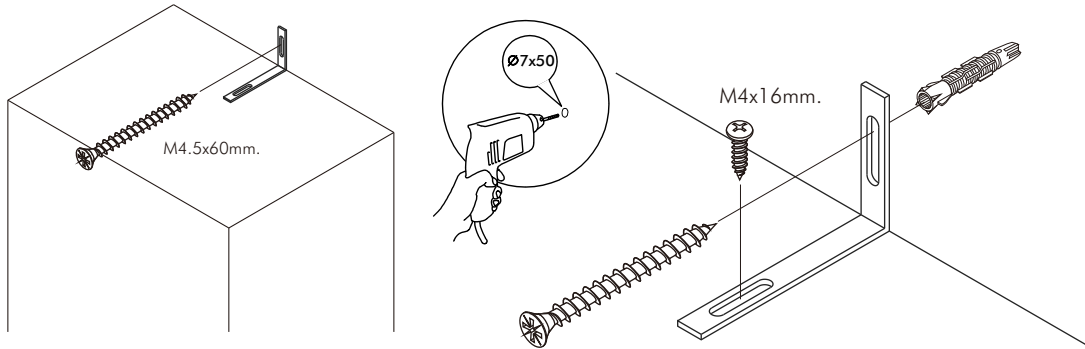
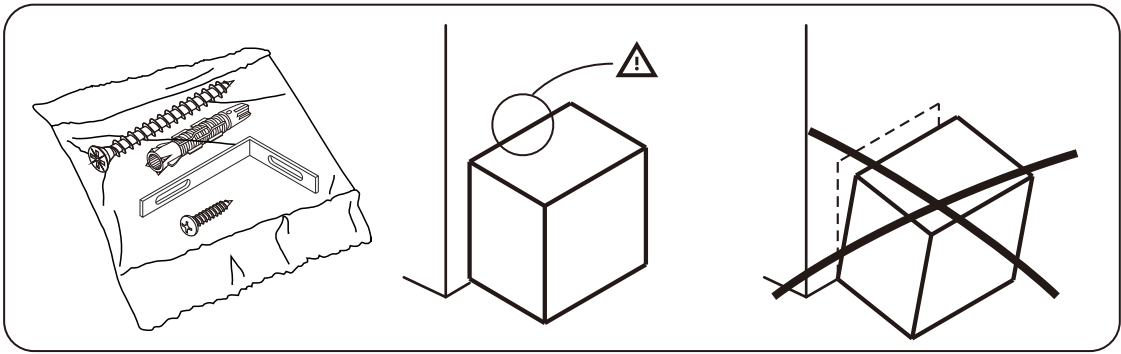
---

EQ

M4x16mm.

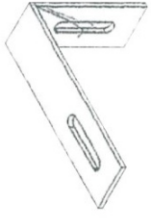
**i**

DOOR PANEL

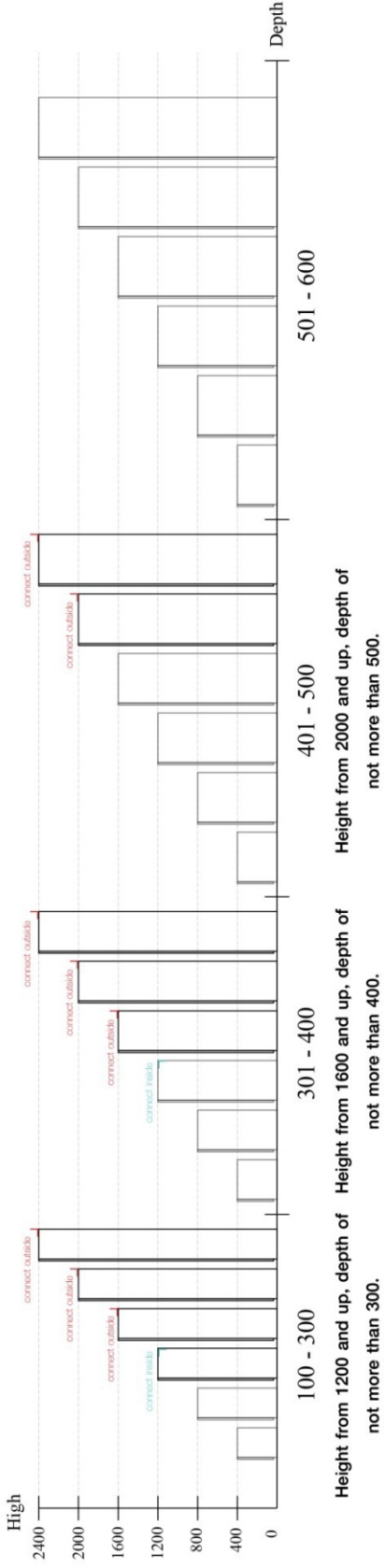


**The Standard for identifying which mounted safety fall protection fitting to use** **Note : That children's products must be installed with all anti-falling fittings.**

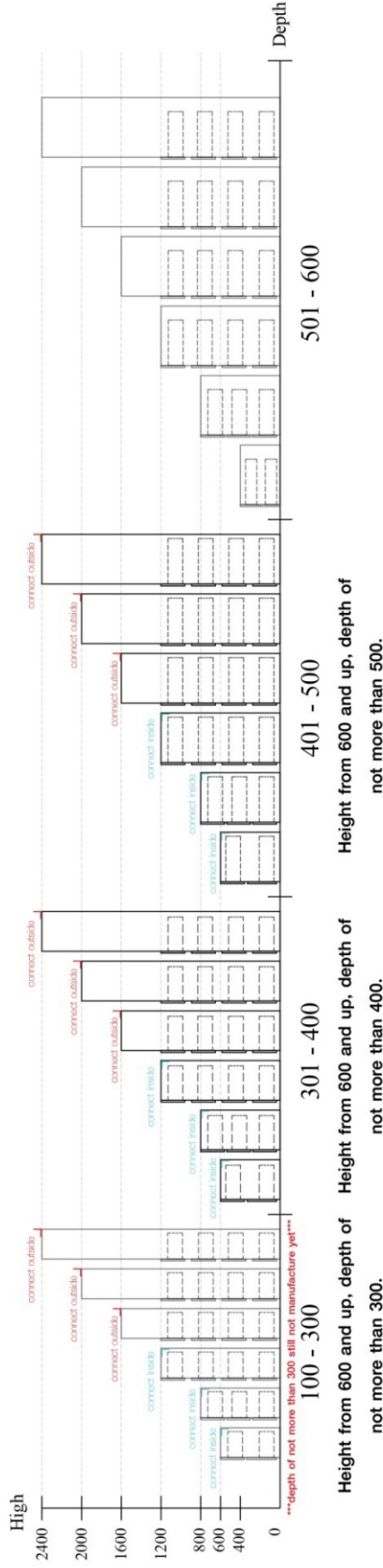
■ Mounted fall protection fittings



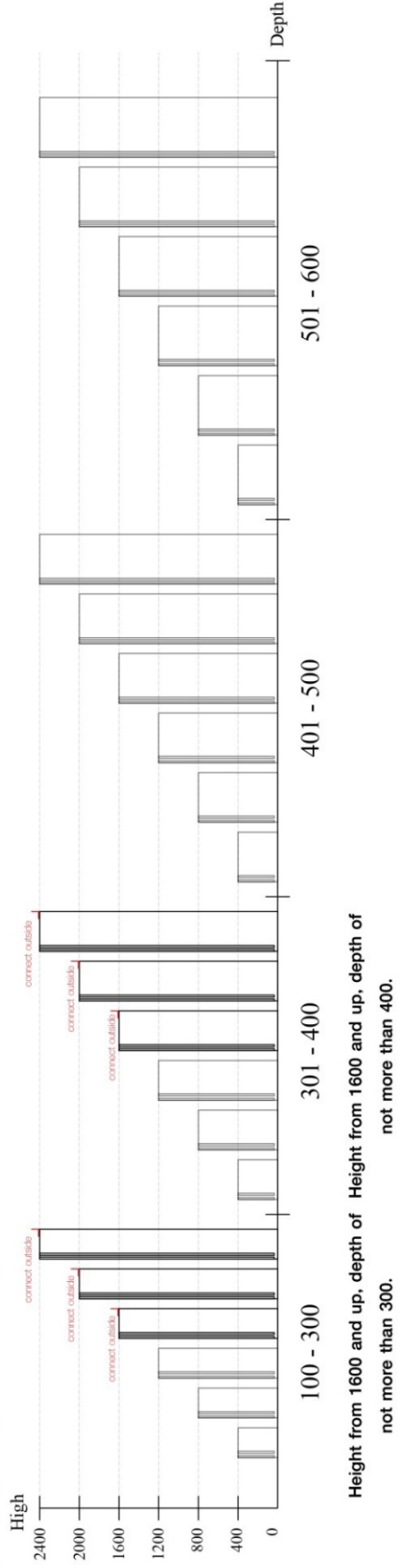
■ Category : Cabinet with open doors



■ Category : Chest of drawers

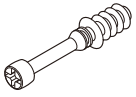


■ Category : Sliding door cabinet / Open cabinet



# HARDWARE

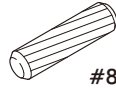
## -BODY SET



**x 29**

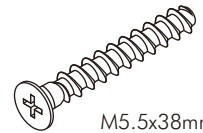


**x 29**



#8x35

**x 48**



M5.5x38mm.

**x 14**



**x 12**



**x 29**



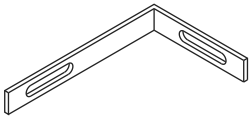
M4x20mm.

**x 10**

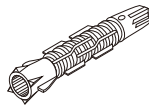


M3.5x20

**x 8**



**x 1**



**x 1**



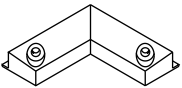
M4x16mm.

**x 1**

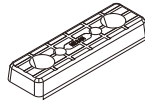


M4.5x60mm.

**x 1**



**x 4**



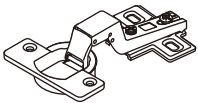
**x 8**



M4x16mm.

**x 16**

## -DOOR SET



**x 8**



M4x16mm.

**x 32**

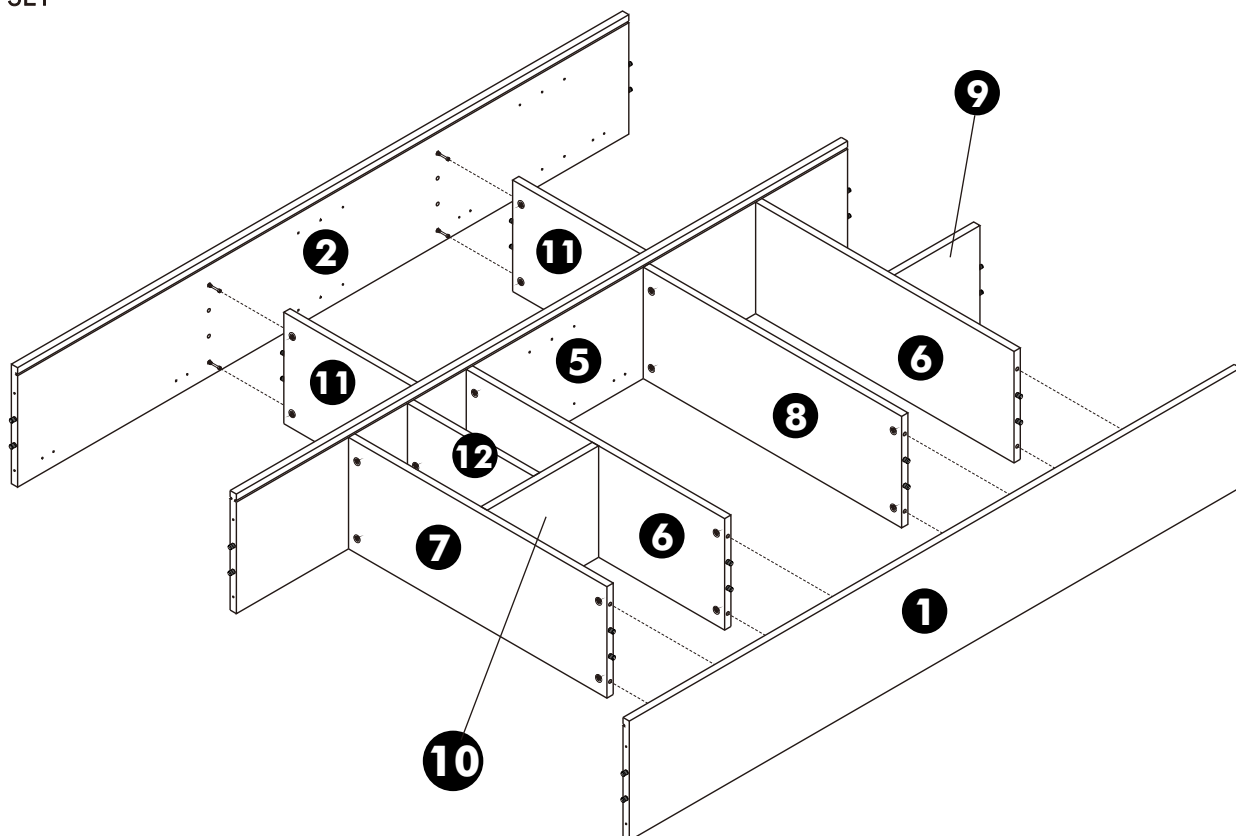


**x 8**

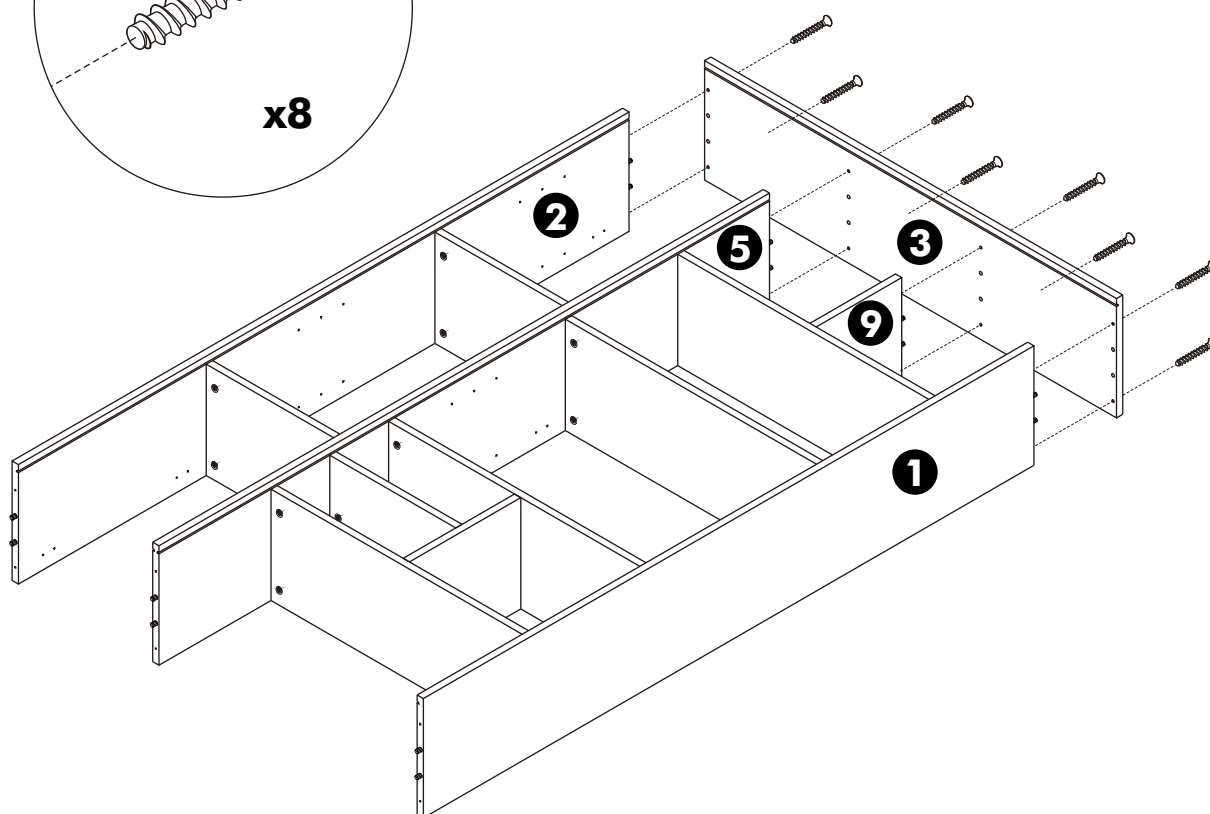
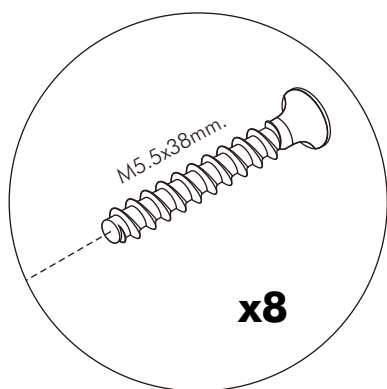
# ASSEMBLY

-BODY SET

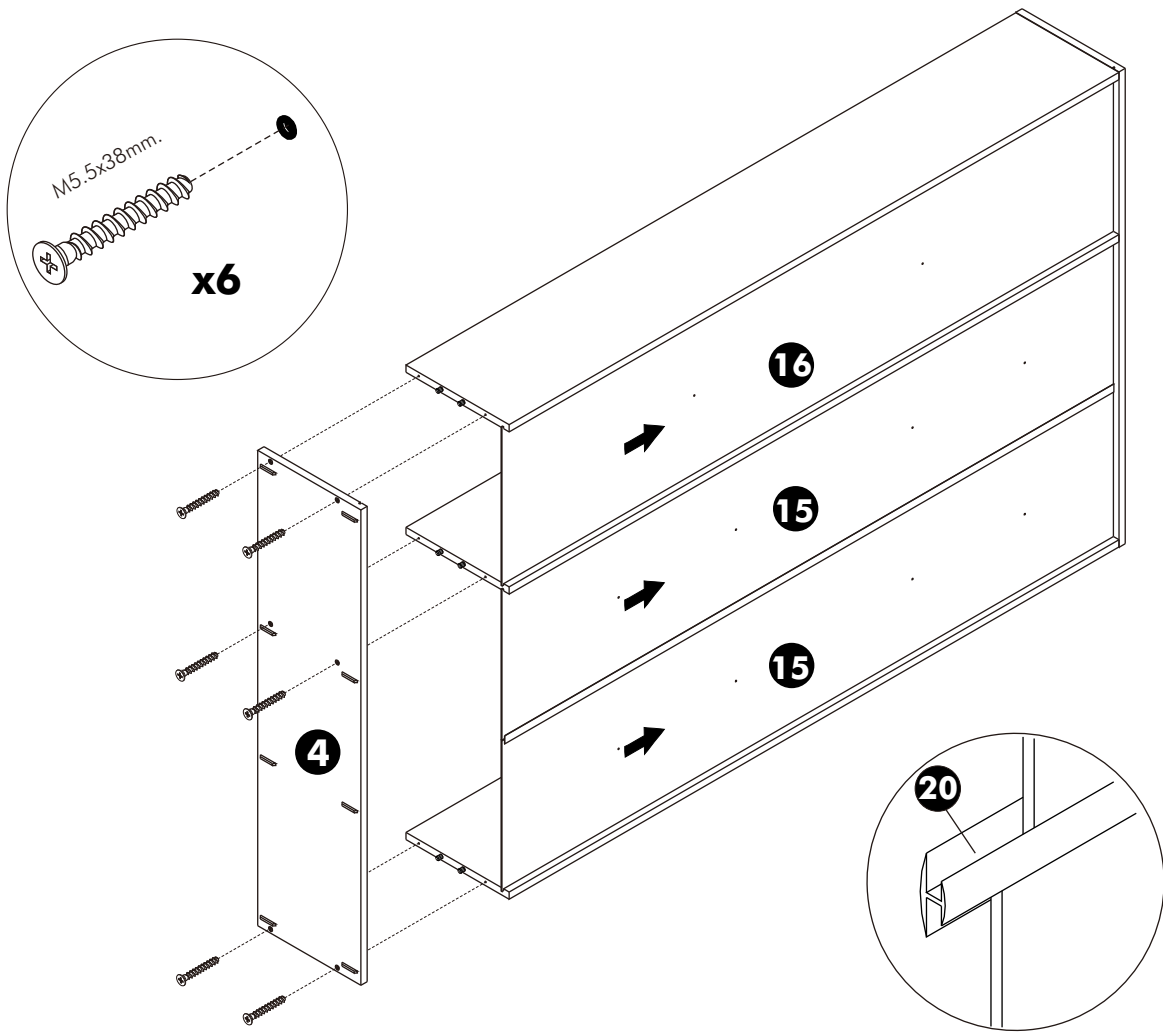
## 1.



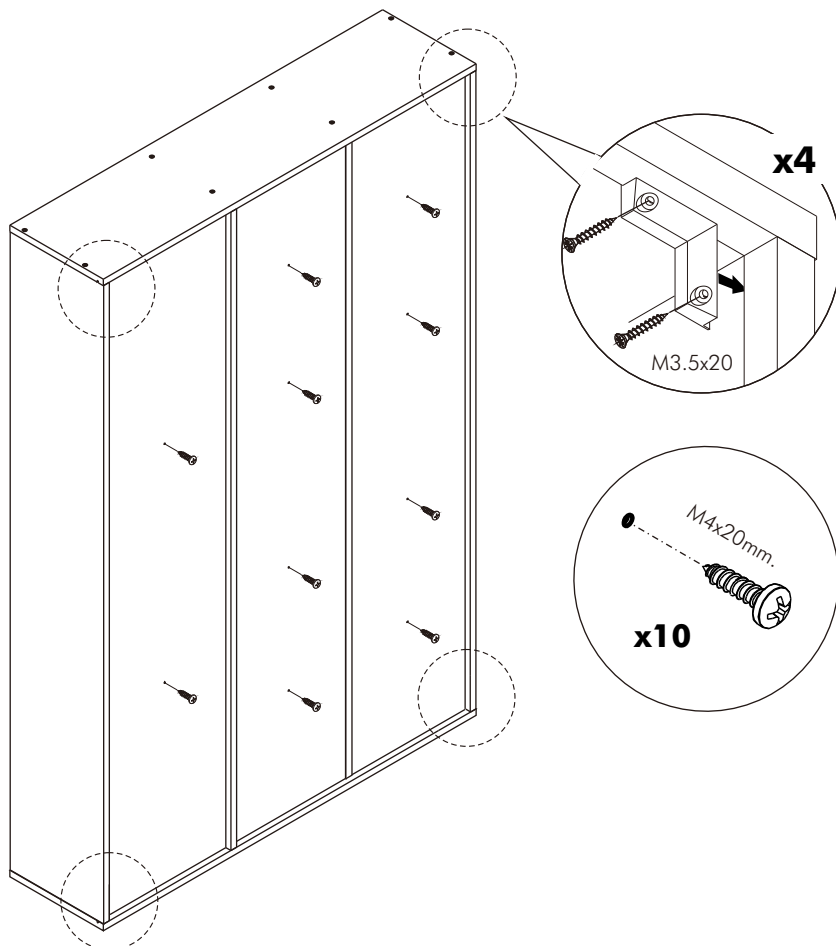
## 2.



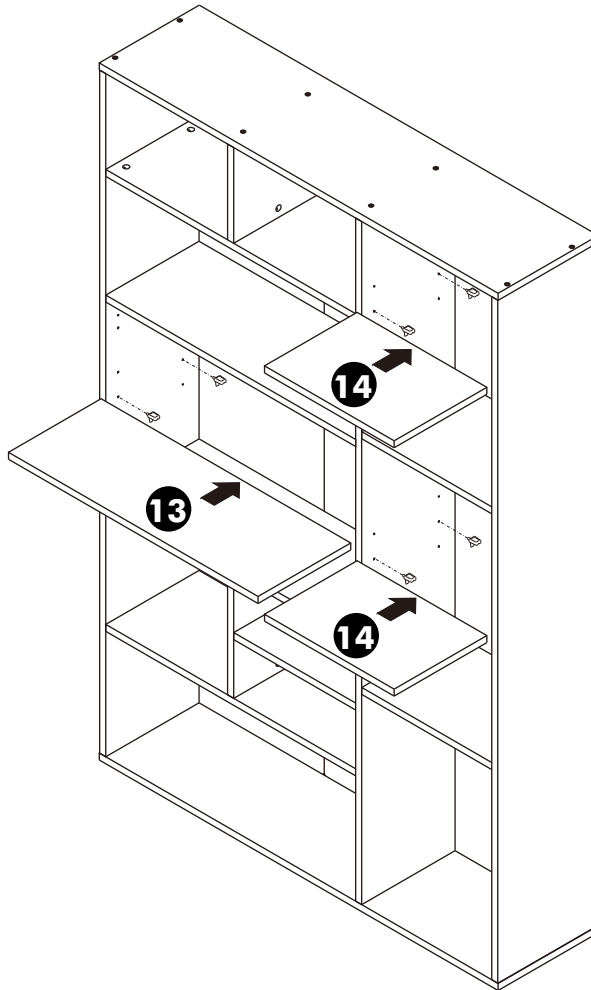
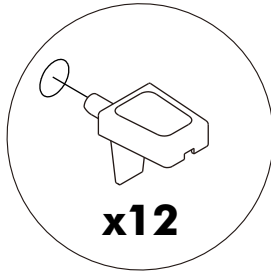
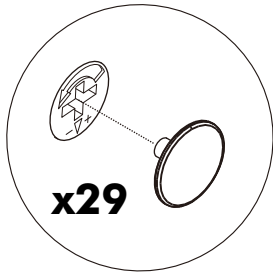
**3.**



**4.**



# 5.



## ASSEMBLY

-DOOR SET

