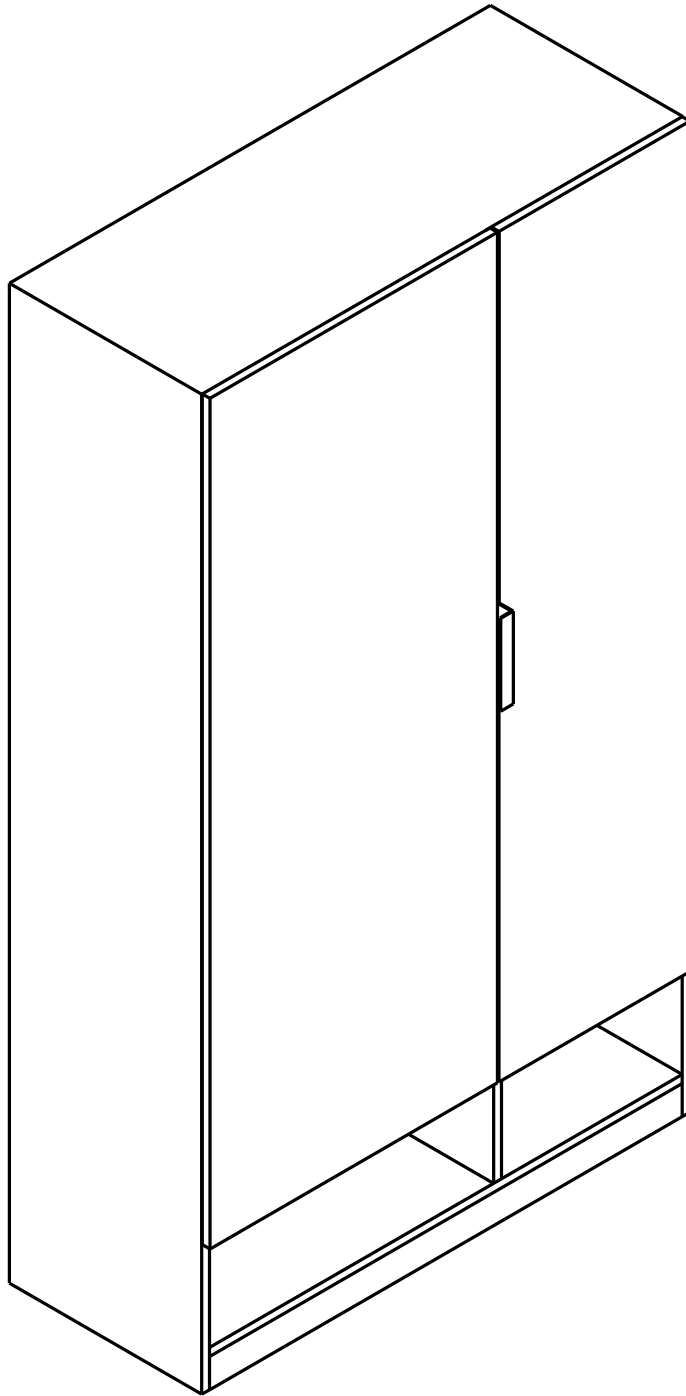
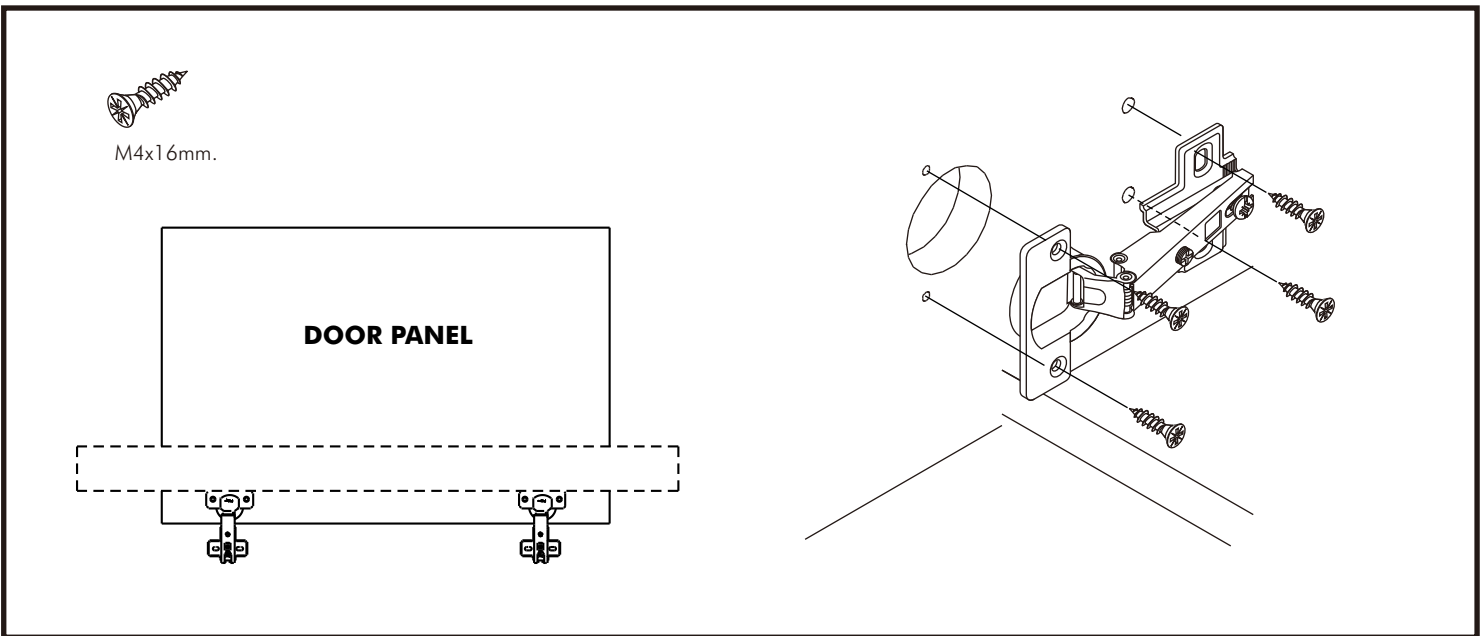
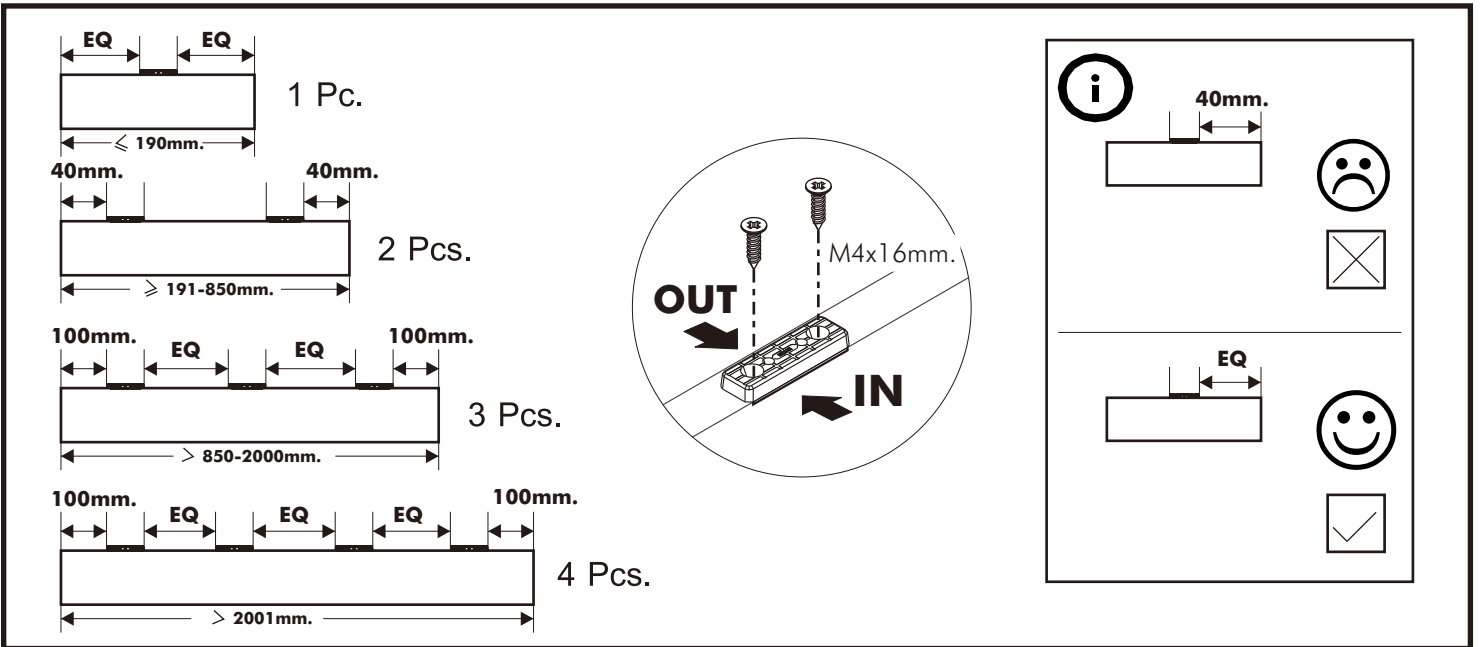
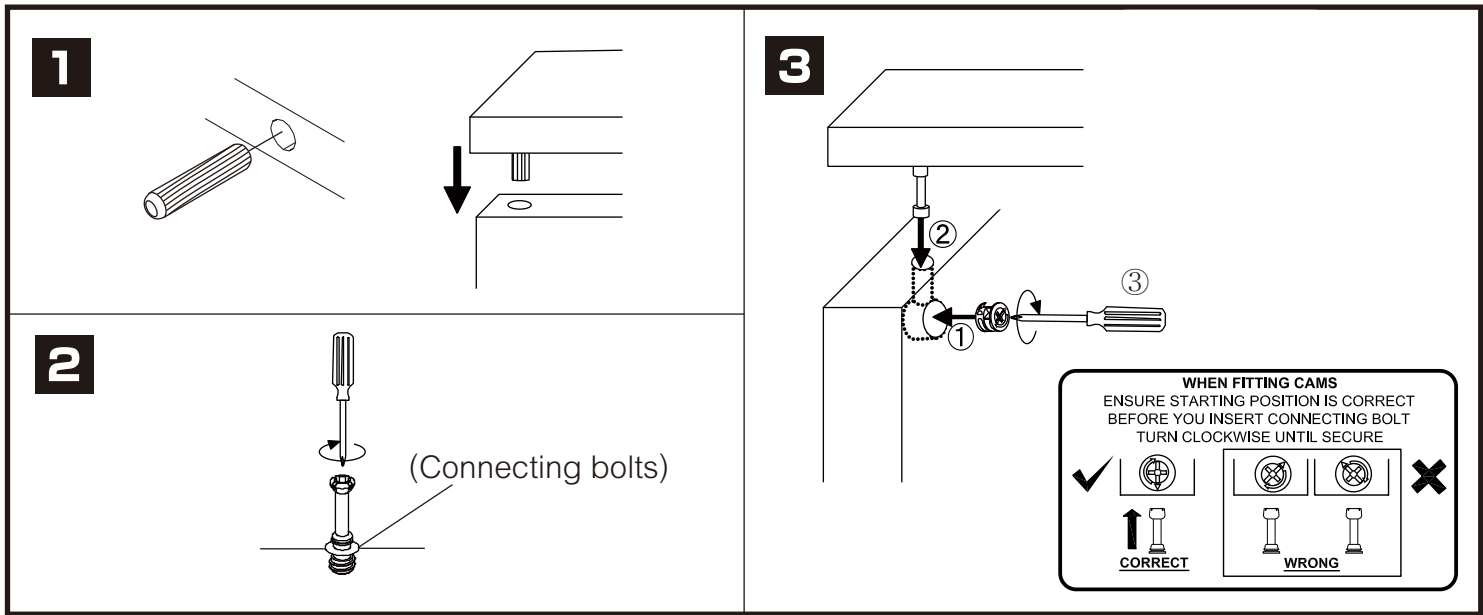


MOSSTE

Shoe cabinet 2 dr.



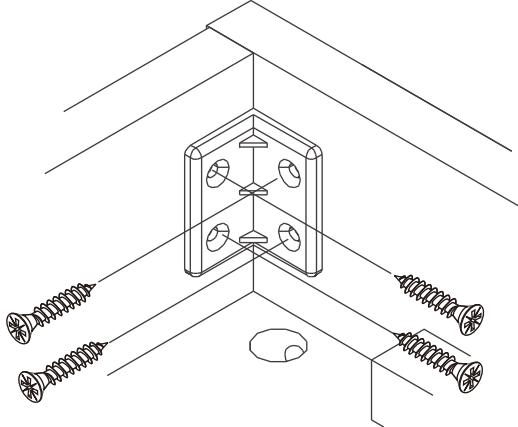
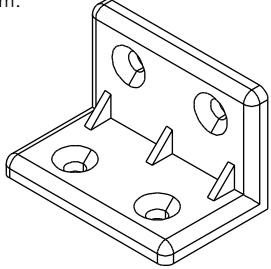
CONNECT SYSTEM

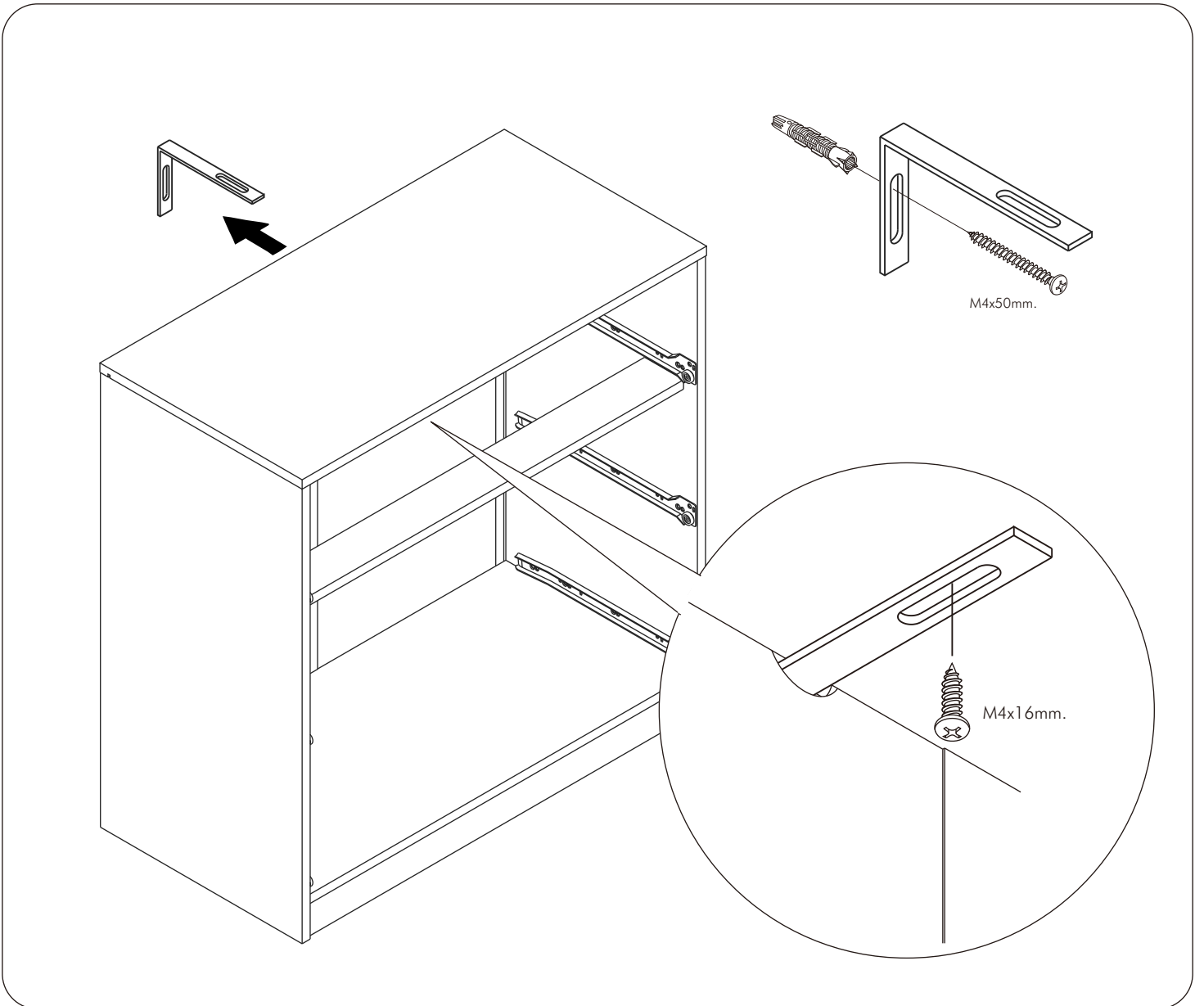
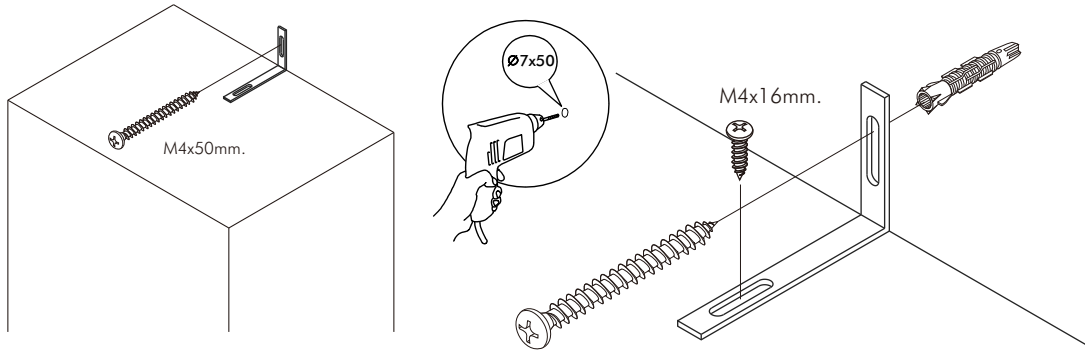
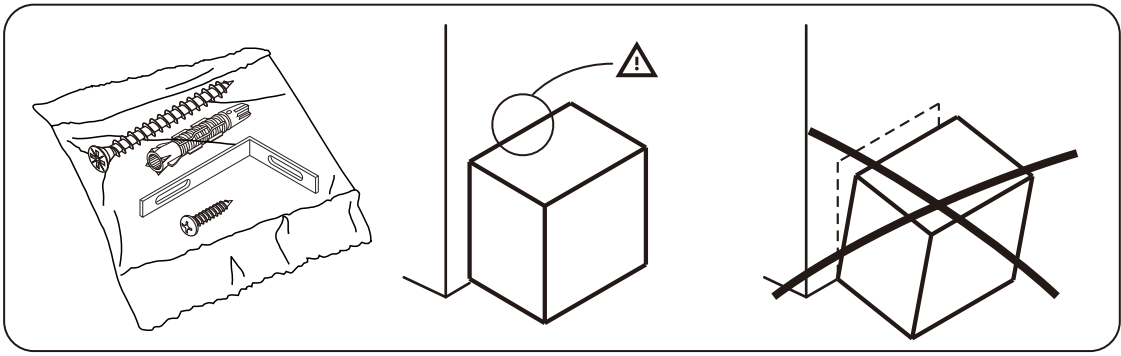


CONNECT SYSTEM



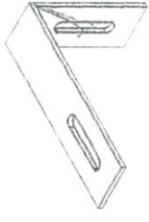
M4x16mm.



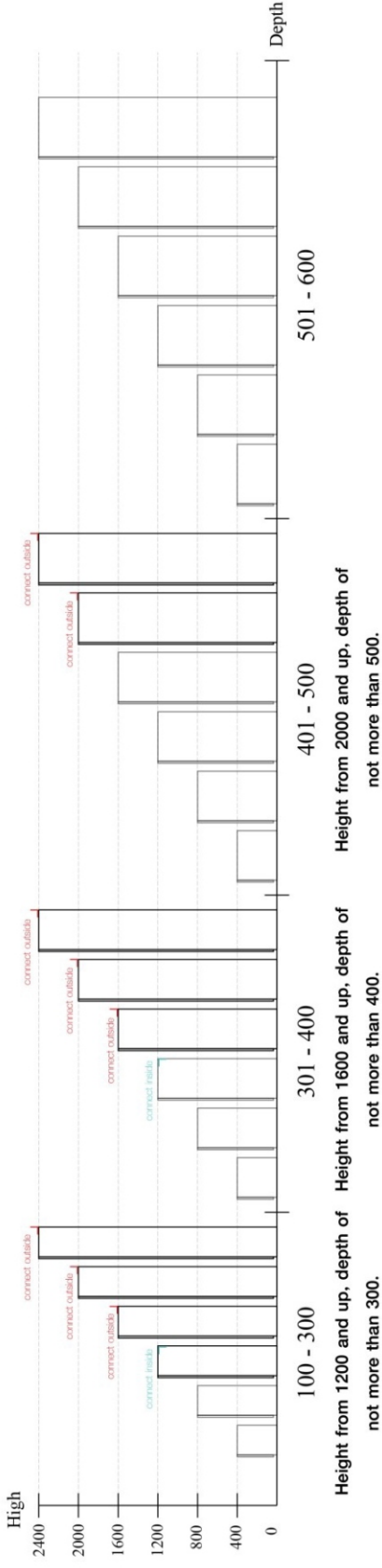


The Standard for identifying which mounted safety fall protection fitting to use **Note : That children's products must be installed with all anti-falling fittings.**

■ Mounted fall protection fittings



■ Category : Cabinet with open doors



■ Category : Chest of drawers

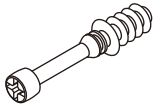


■ Category : Sliding door cabinet / Open cabinet



HARDWARE

-BODY SET

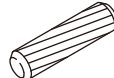


x 14



#19mm.

x 14



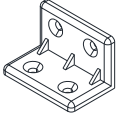
#8x35

x 28

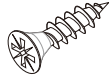


#M4x50

x 6

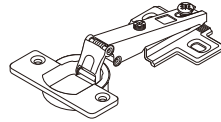


x 8



#M4x16

x 78



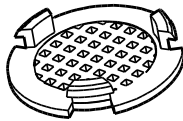
x 6



x 64



x 2



x 3



#M4x16

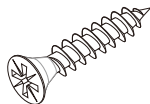
x 10



x 4

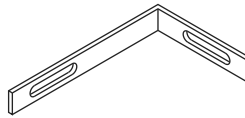


x 9

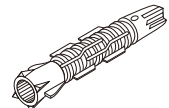


#M4x20

x 13

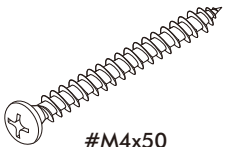


x 2



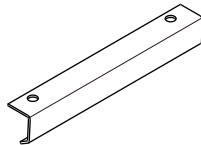
#UP-745

x 2

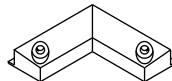


#M4x50

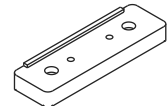
x 2



x 1



x 2

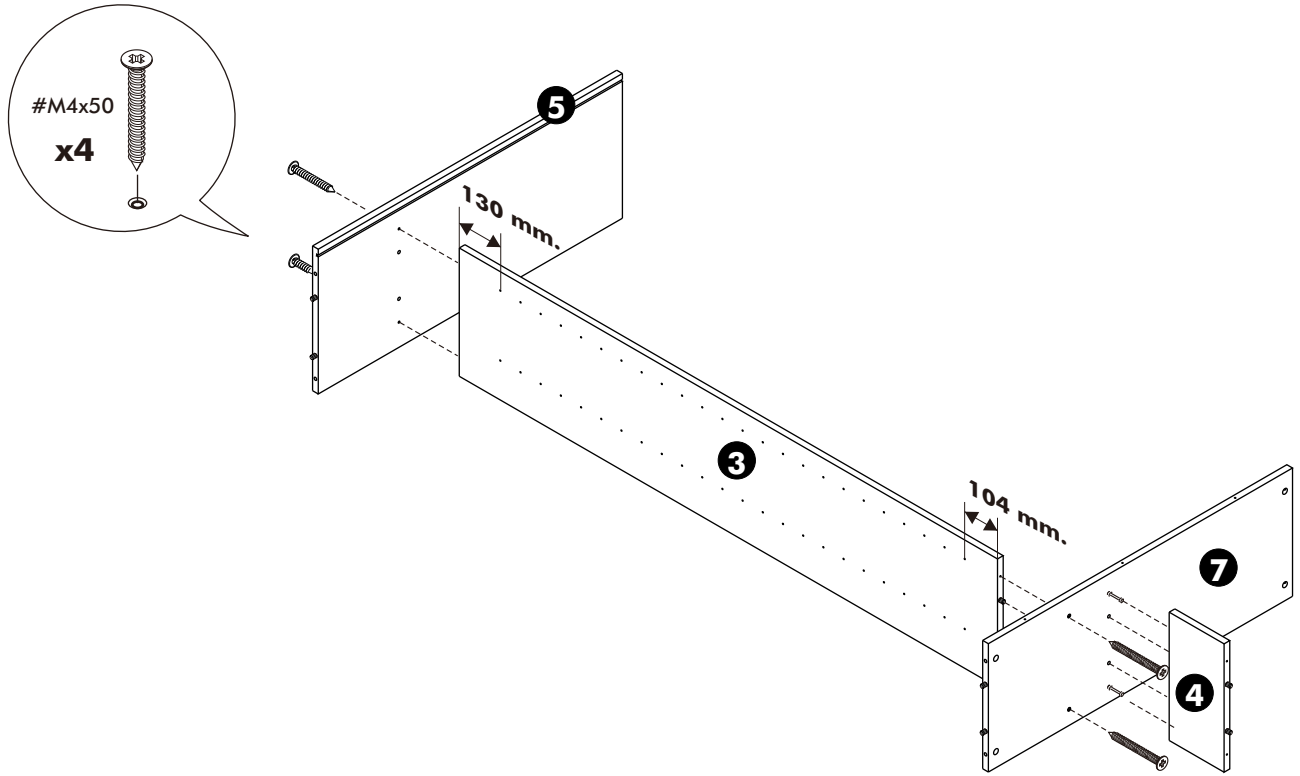


x 10

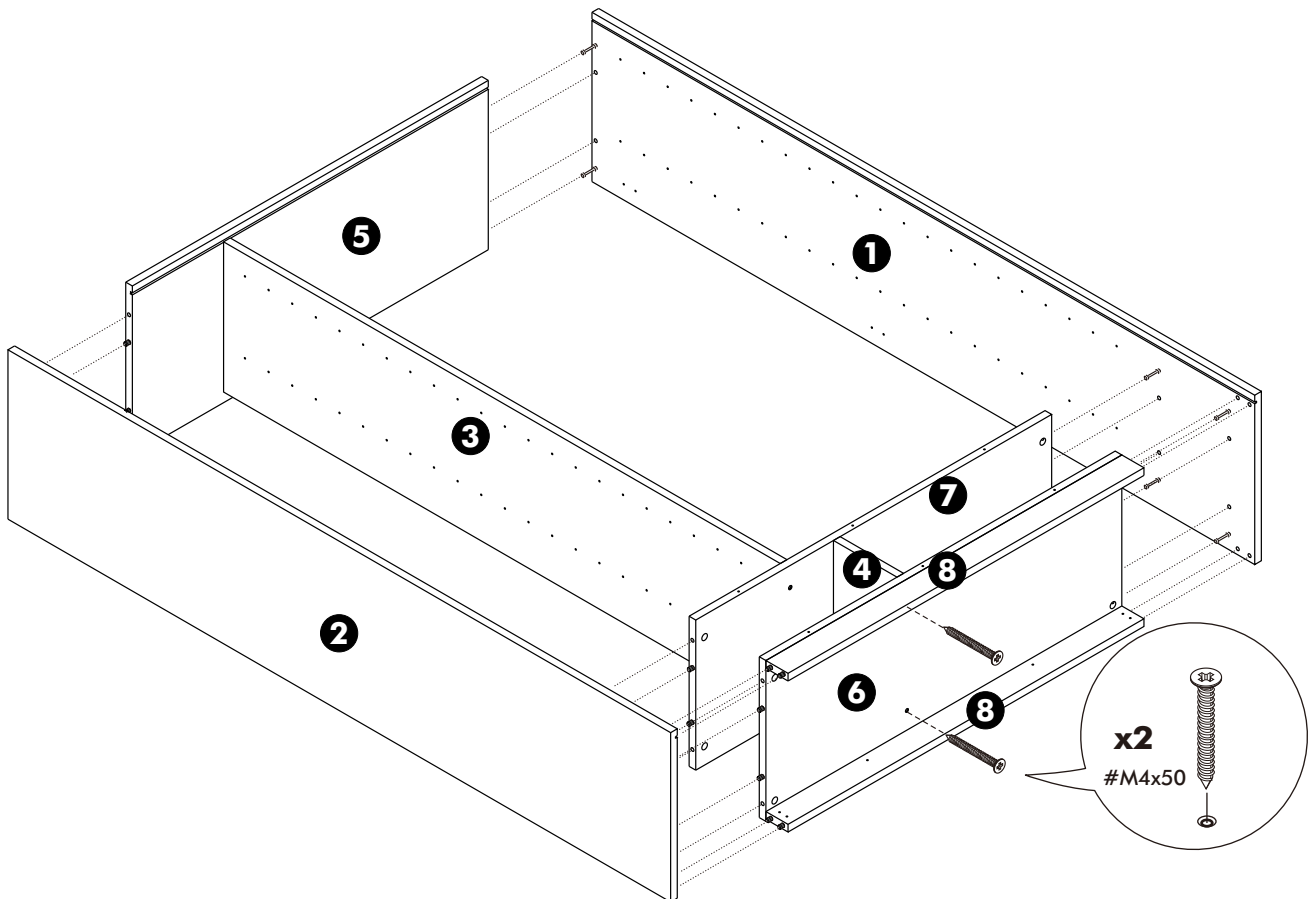
ASSEMBLY

-BODY SET

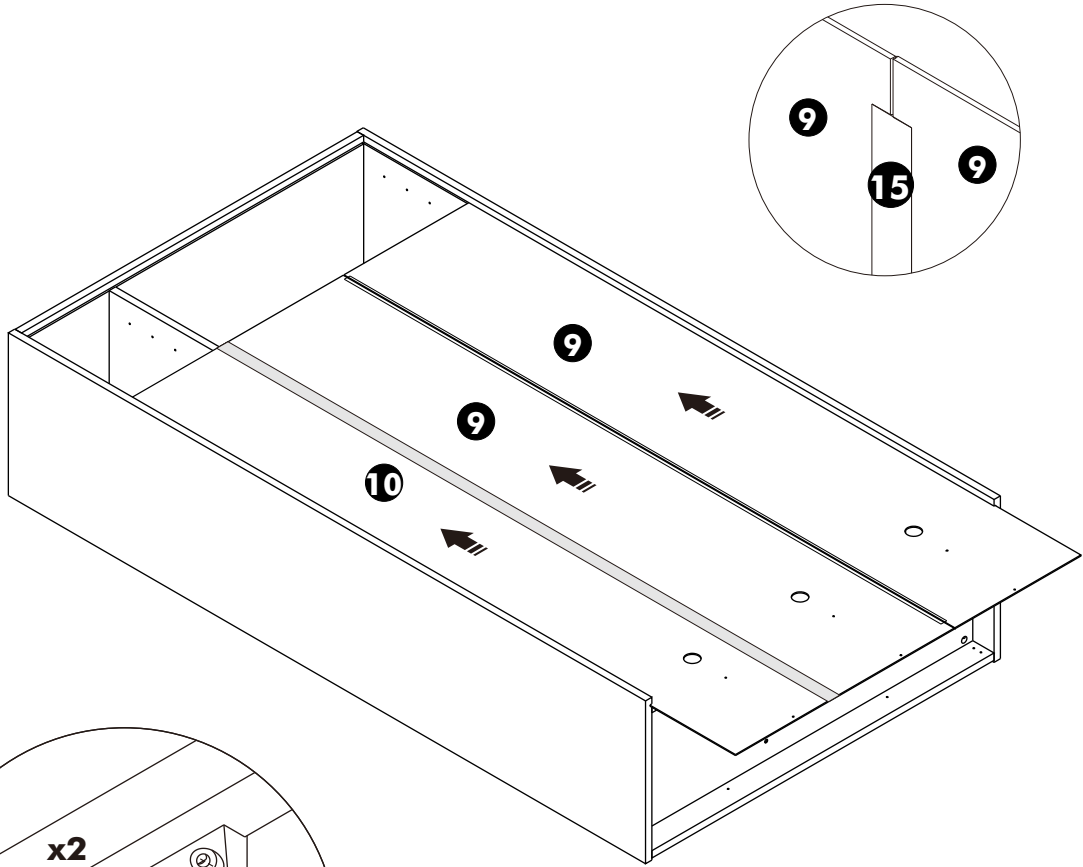
1.



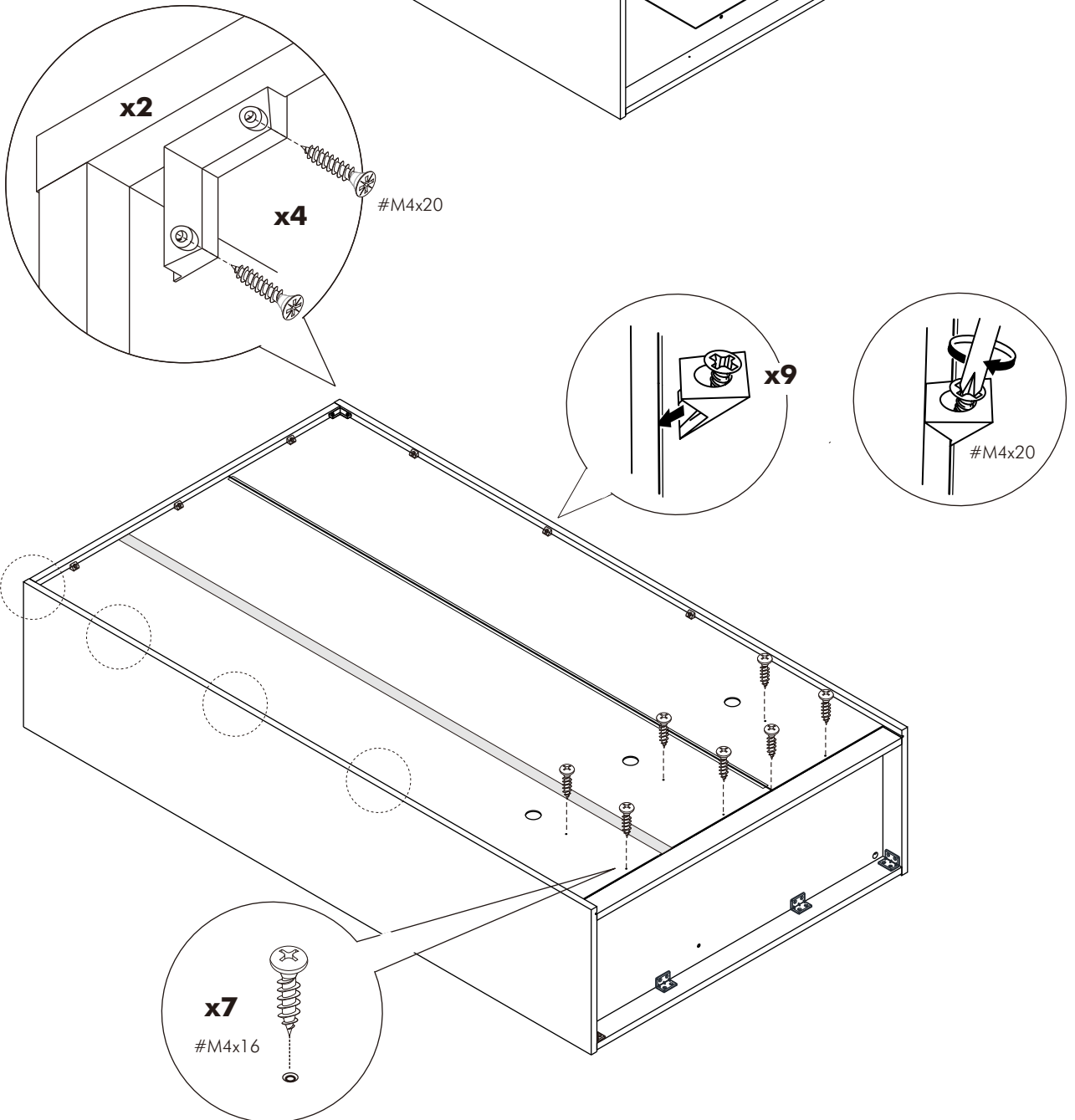
2.



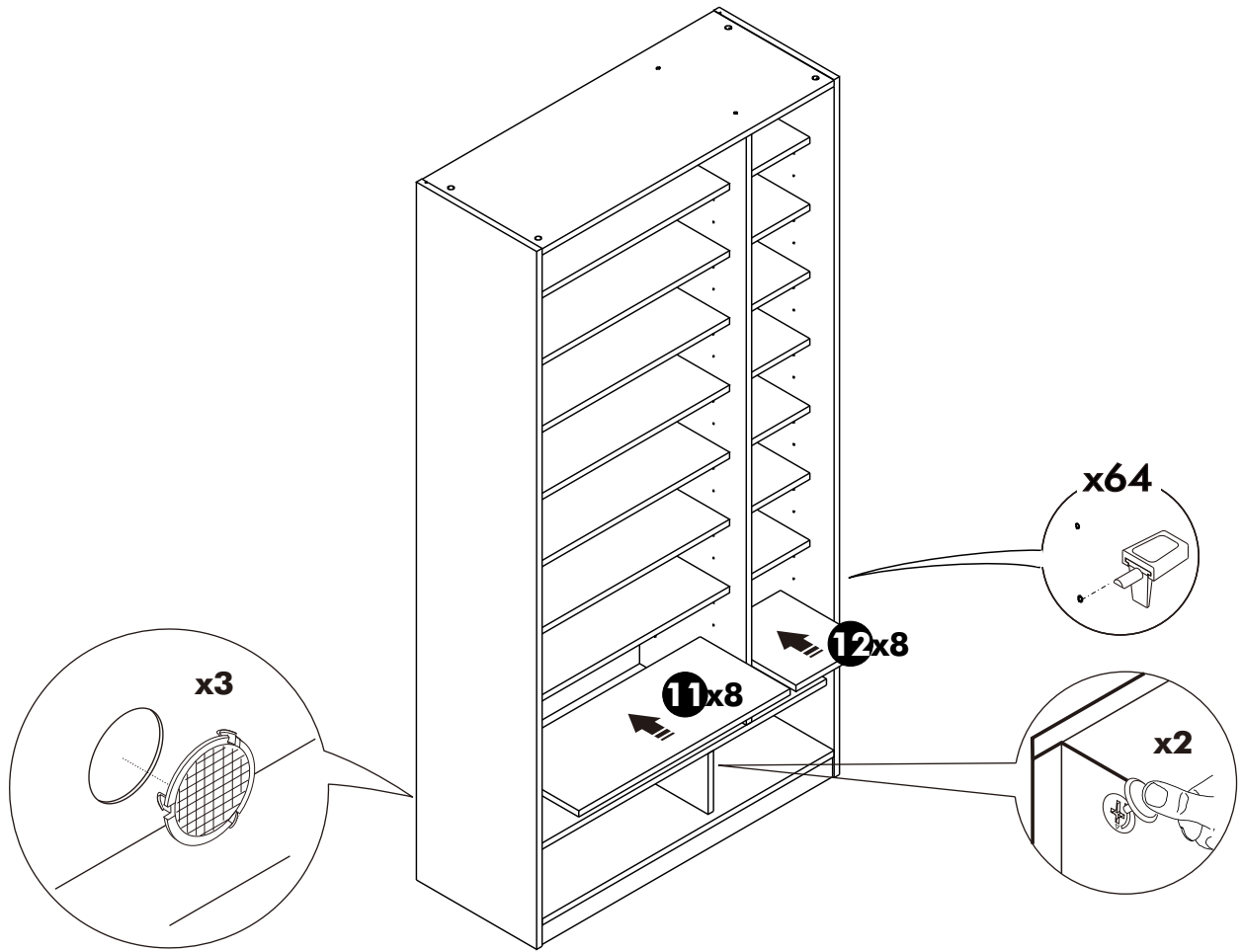
3.



4.



5.



6.

