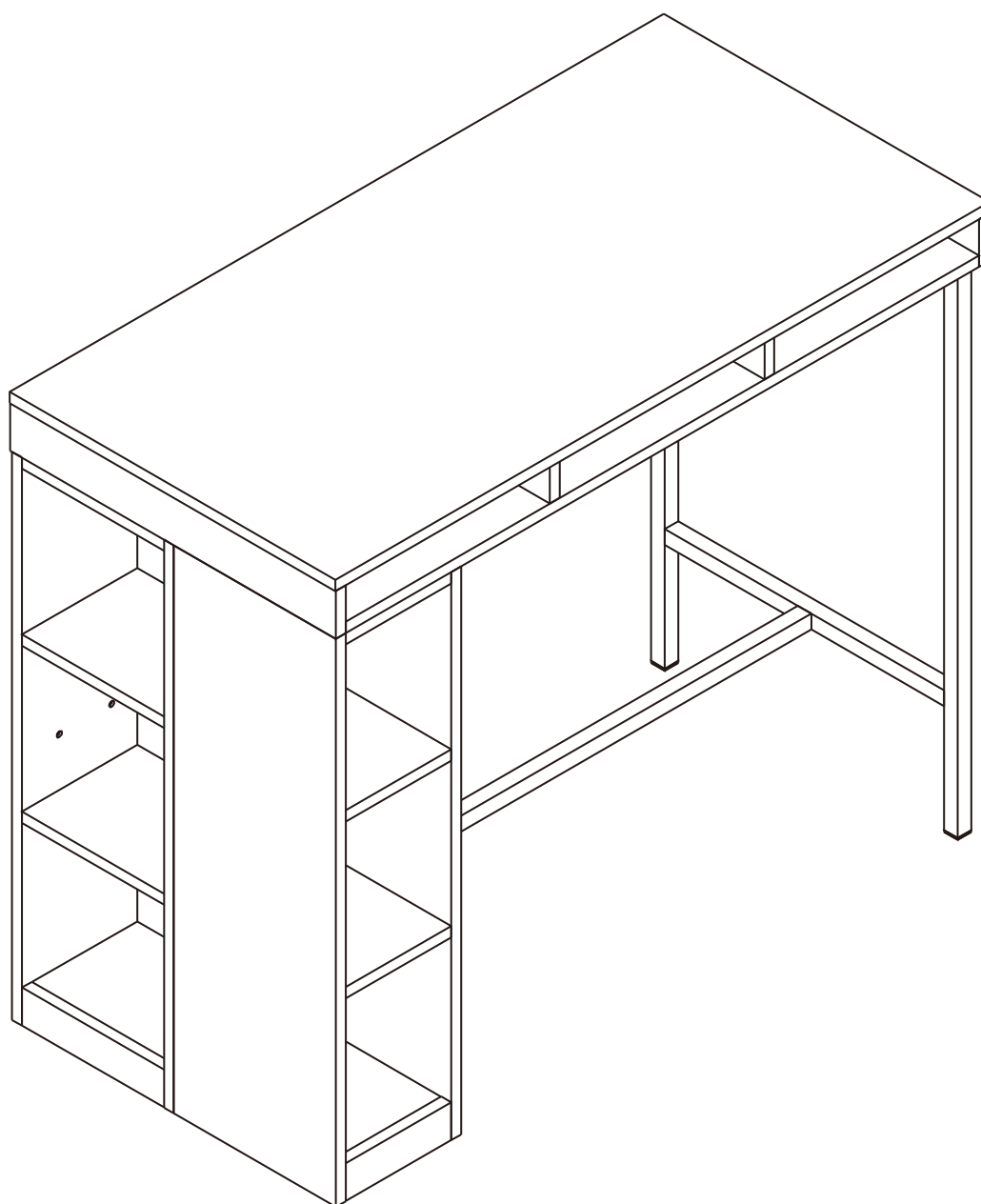


# FINNNO

**Bar table+func 120 cm.**



# CONNECT SYSTEM

**1**

**3**

**2**

(Connecting bolts)

**WHEN FITTING CAMS**  
 ENSURE STARTING POSITION IS CORRECT  
 BEFORE YOU INSERT CONNECTING BOLT  
 TURN CLOCKWISE UNTIL SECURE

✓				✗
	↑			
	<b>CORRECT</b>		<b>WRONG</b>	

M4x16mm.

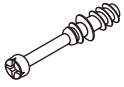
M4x16mm.

**i**

40mm.

EQ

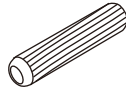
# HARDWARE



**x 48**

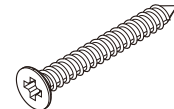


**x 48**



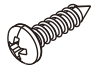
(8x35)

**x 62**



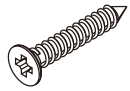
M4x40 mm.

**x 22**



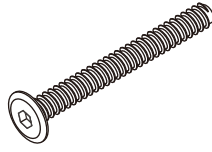
M4x16mm.

**x 8**



M4x30mm.

**x 14**



M6x50mm.

**x 2**



# Ø11mm.

**x 14**

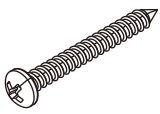


**x 12**



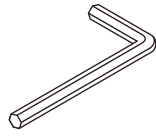
WT.

**x 16**



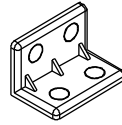
M4x35mm.

**x 4**



#M4

**x 1**

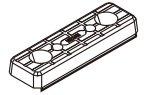


**x 2**



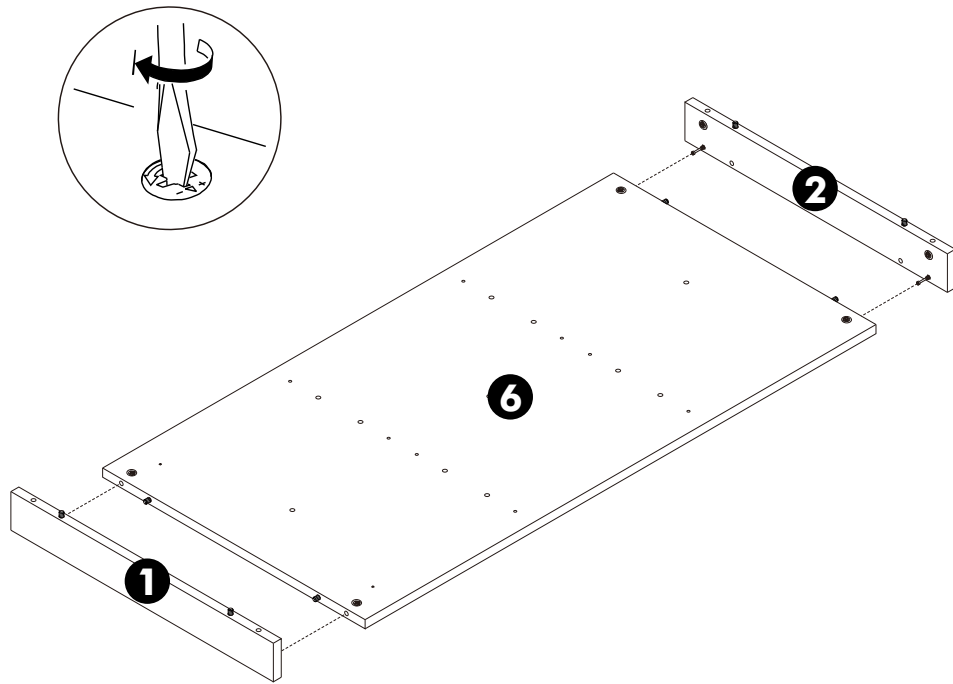
M4x16mm.

**x 24**

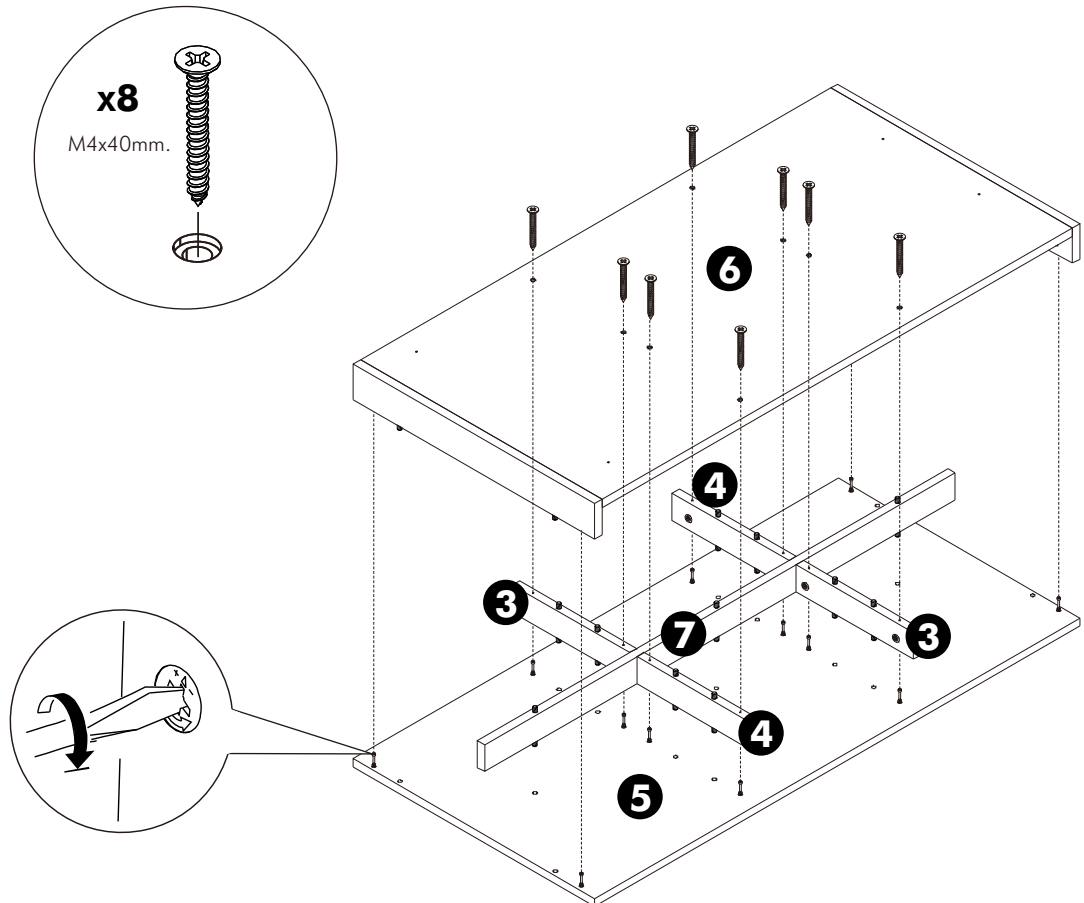


**x 8**

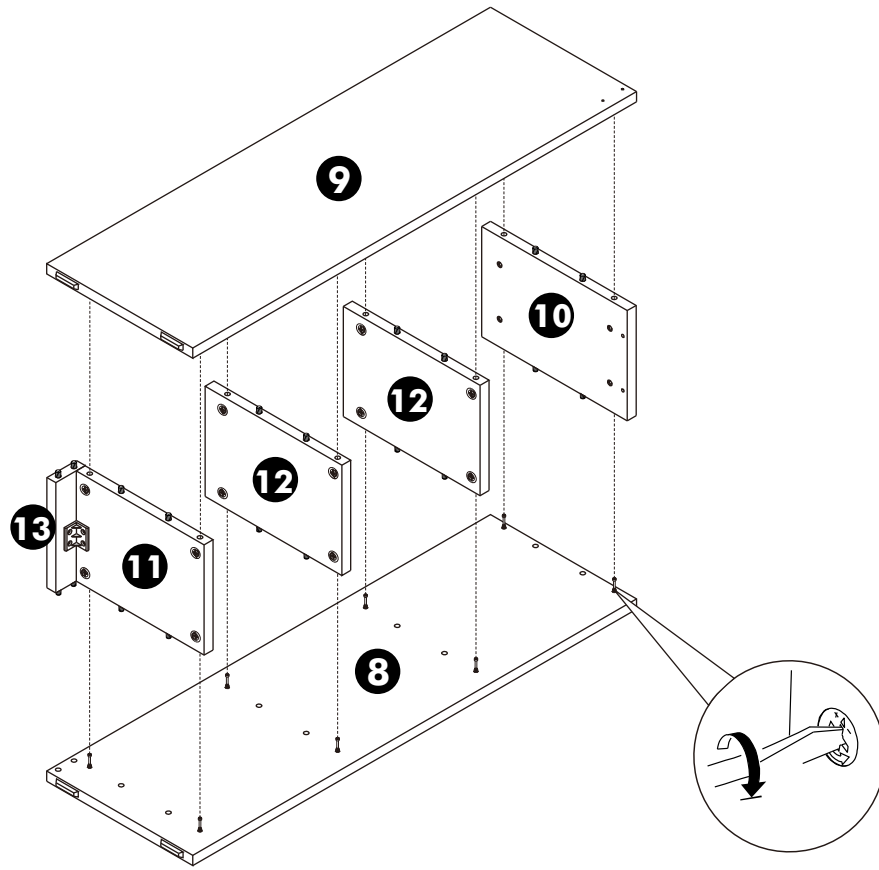
1.



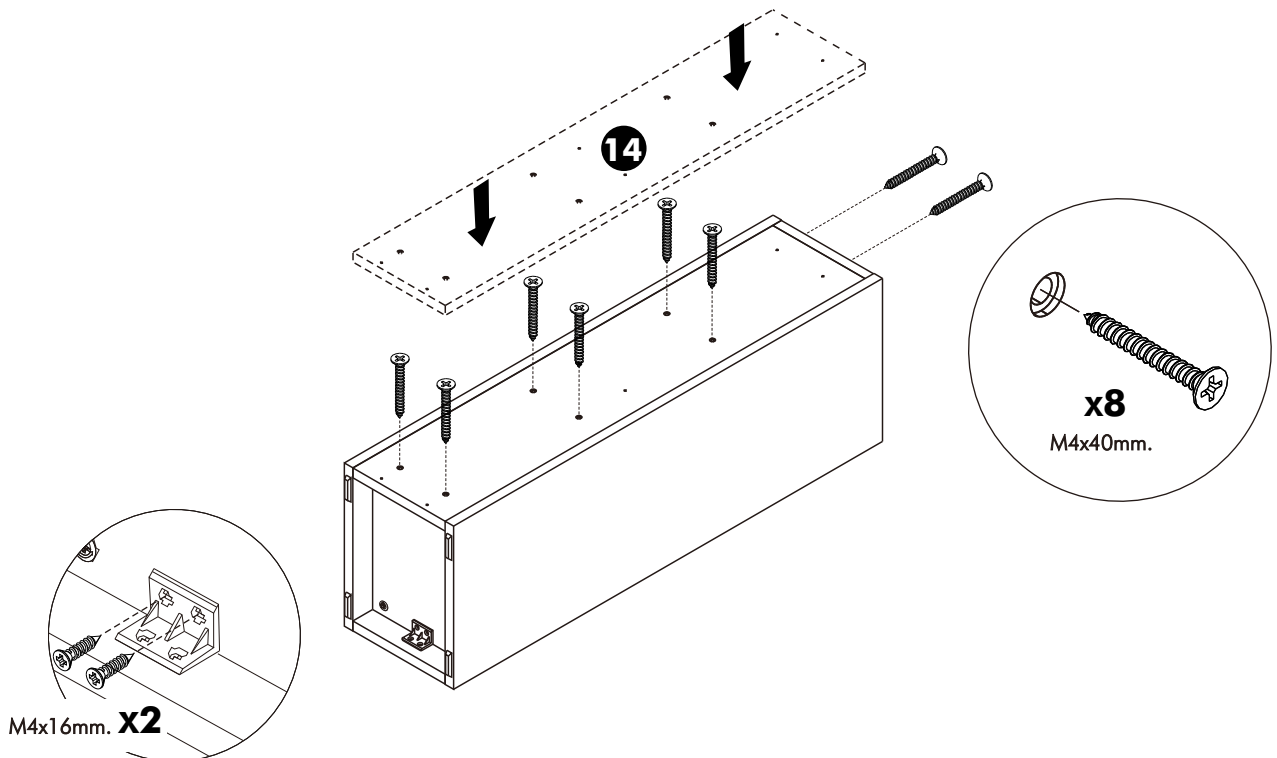
2.



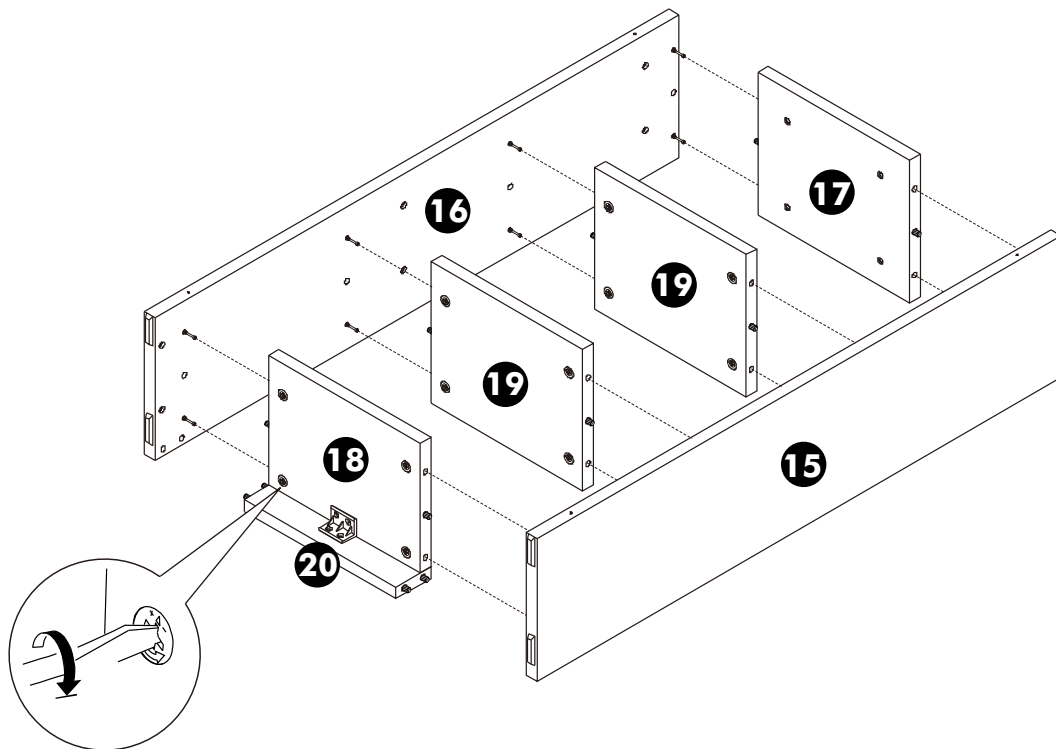
**3.**



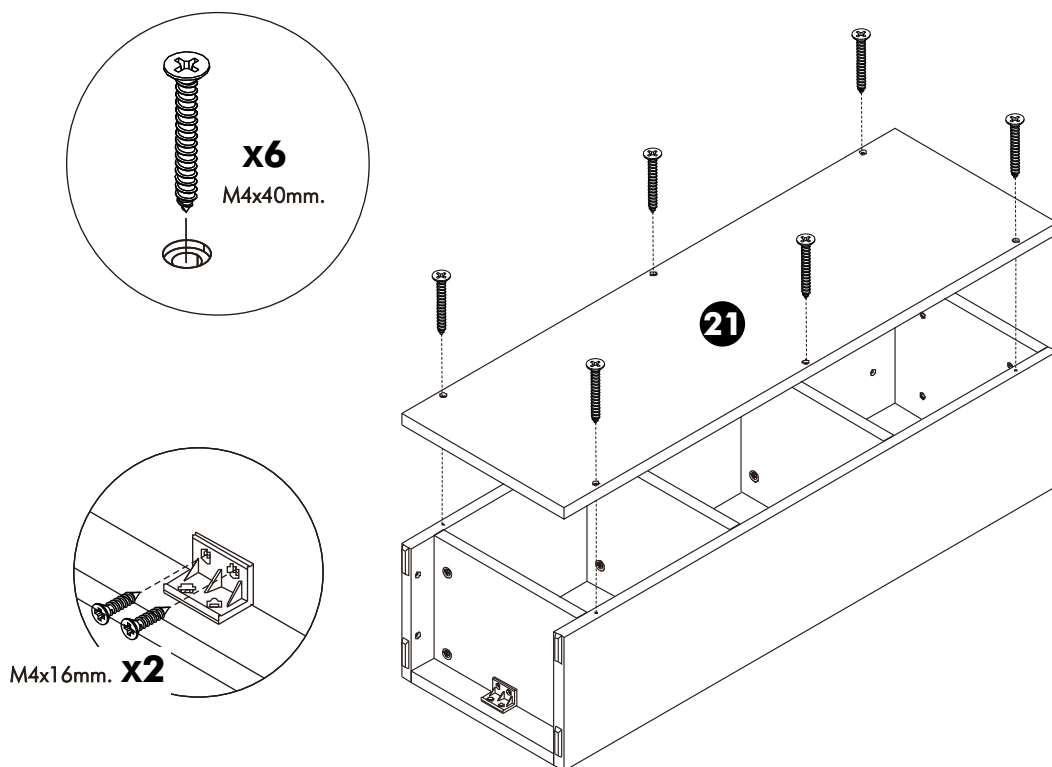
**4.**



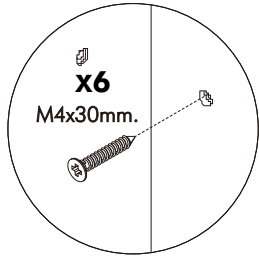
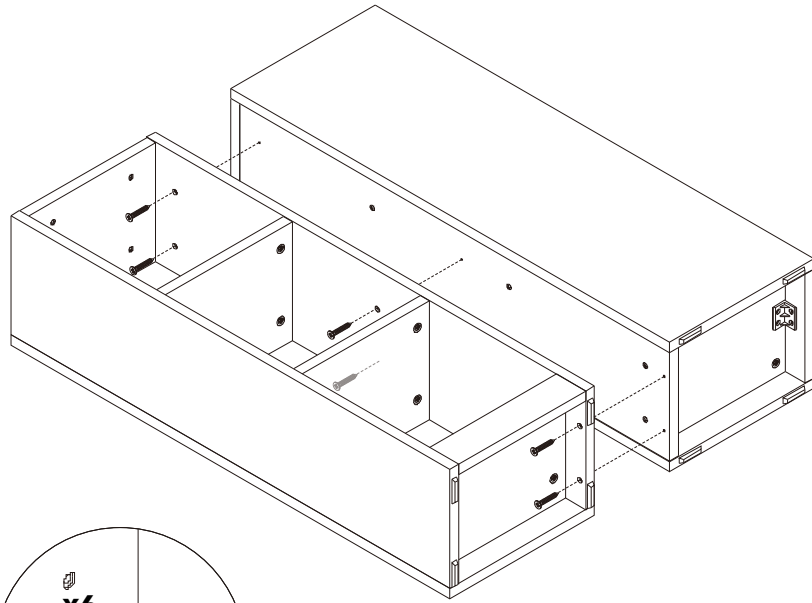
5.



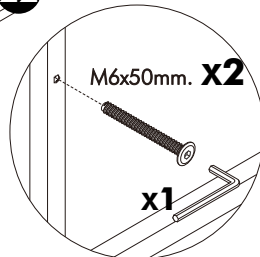
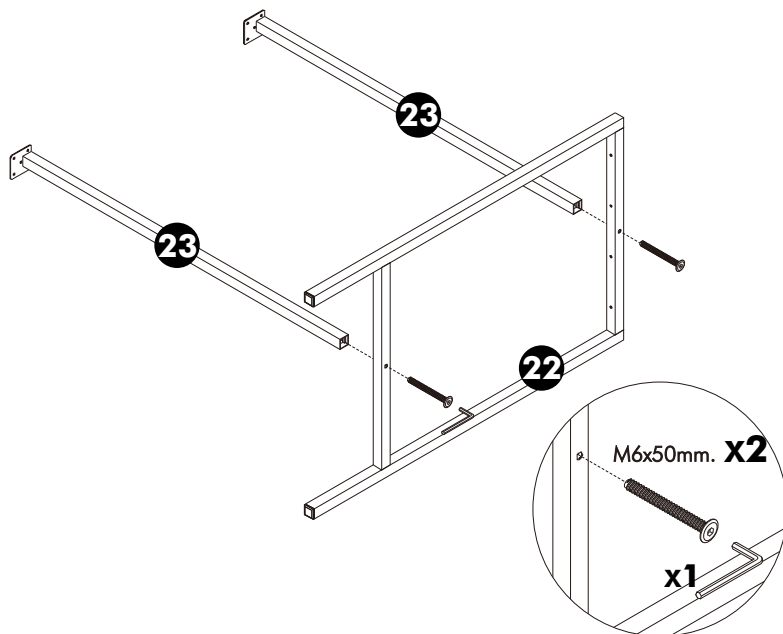
6.



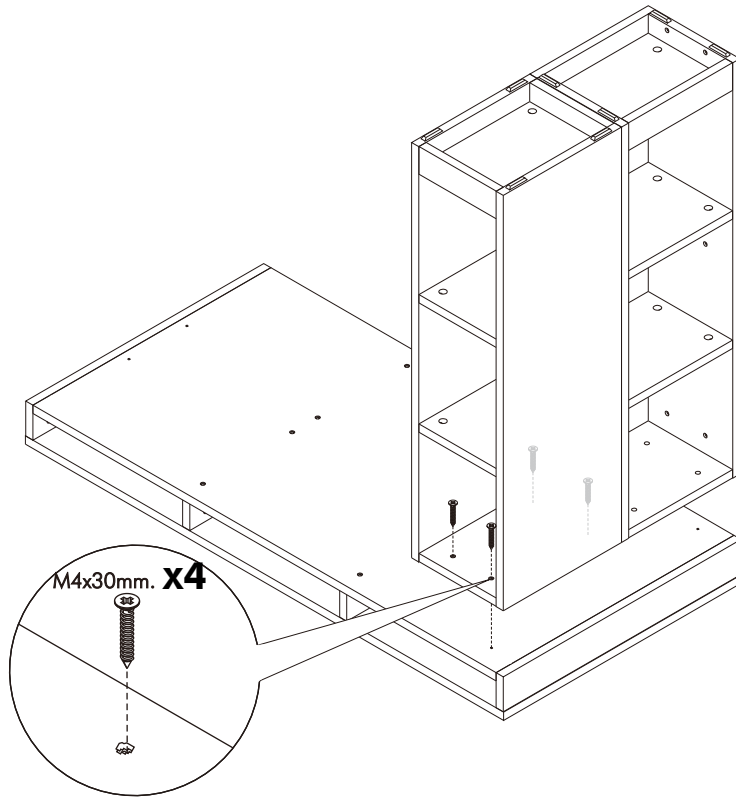
# 7.



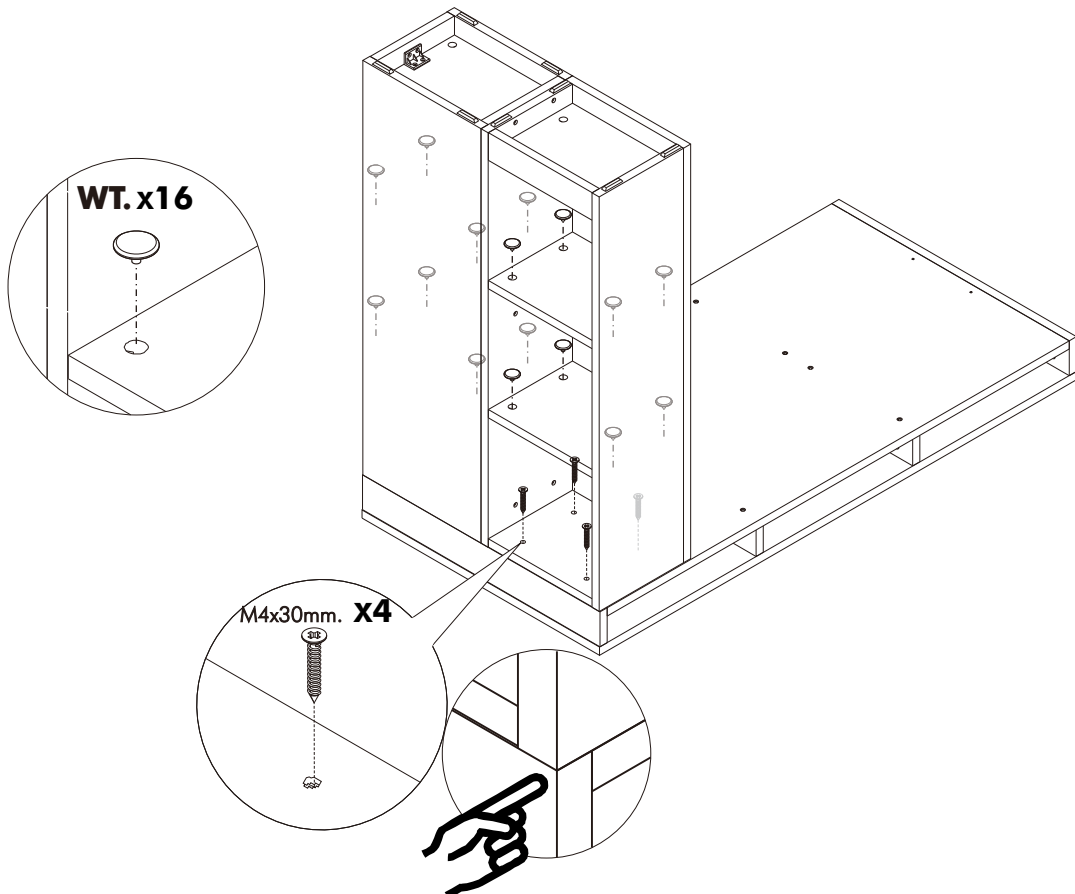
# 8.



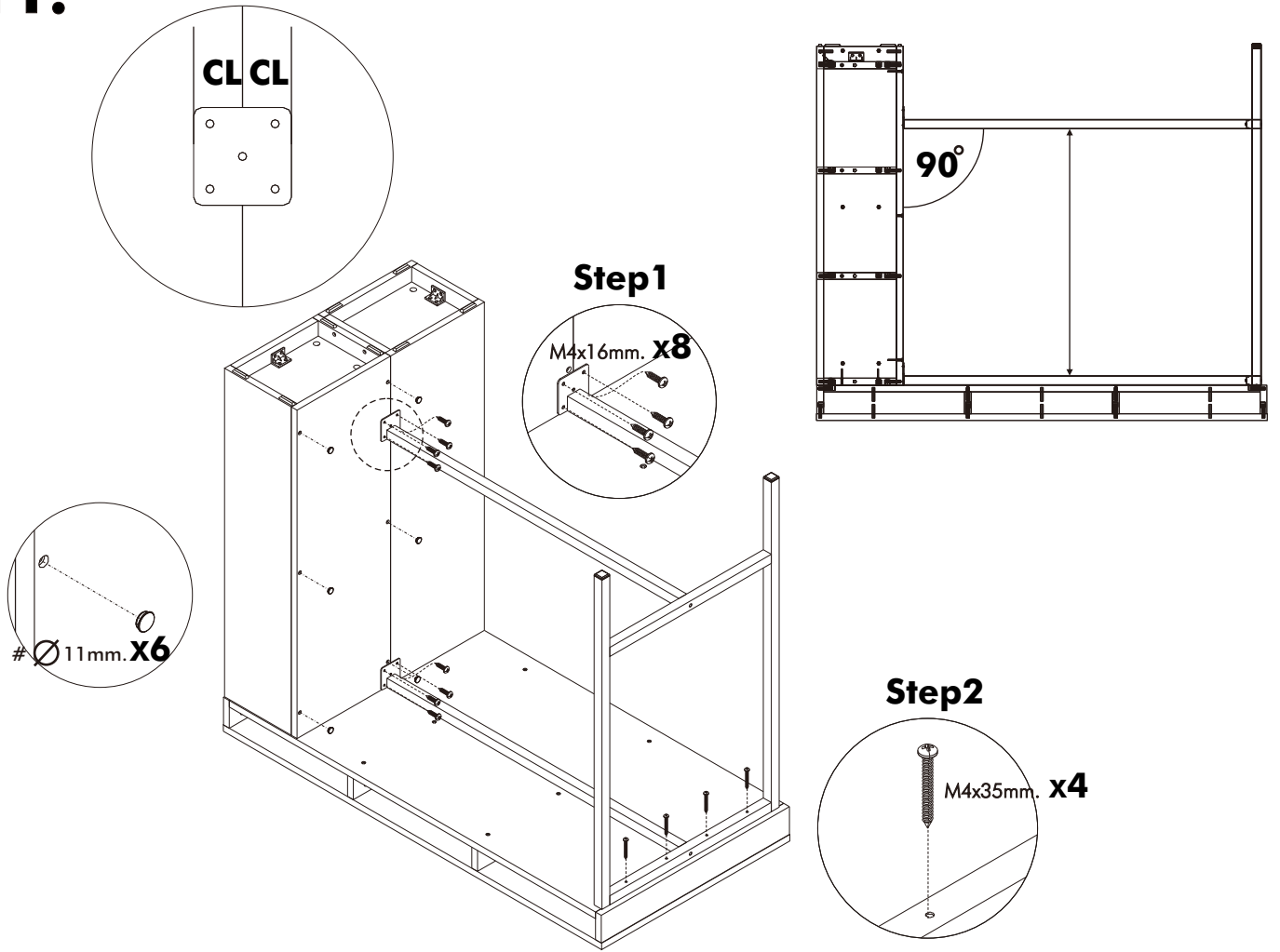
9.



10.



# 11.



# 12.

