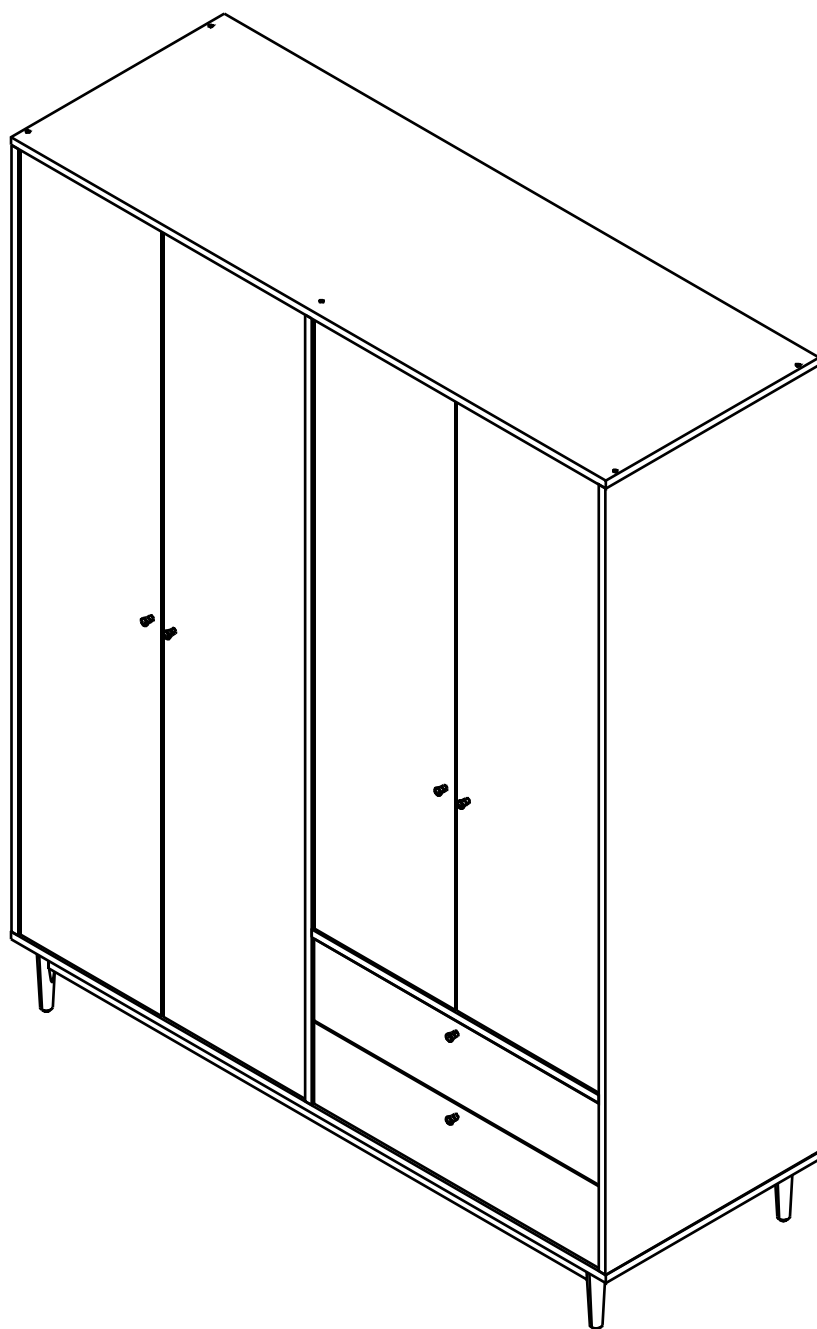
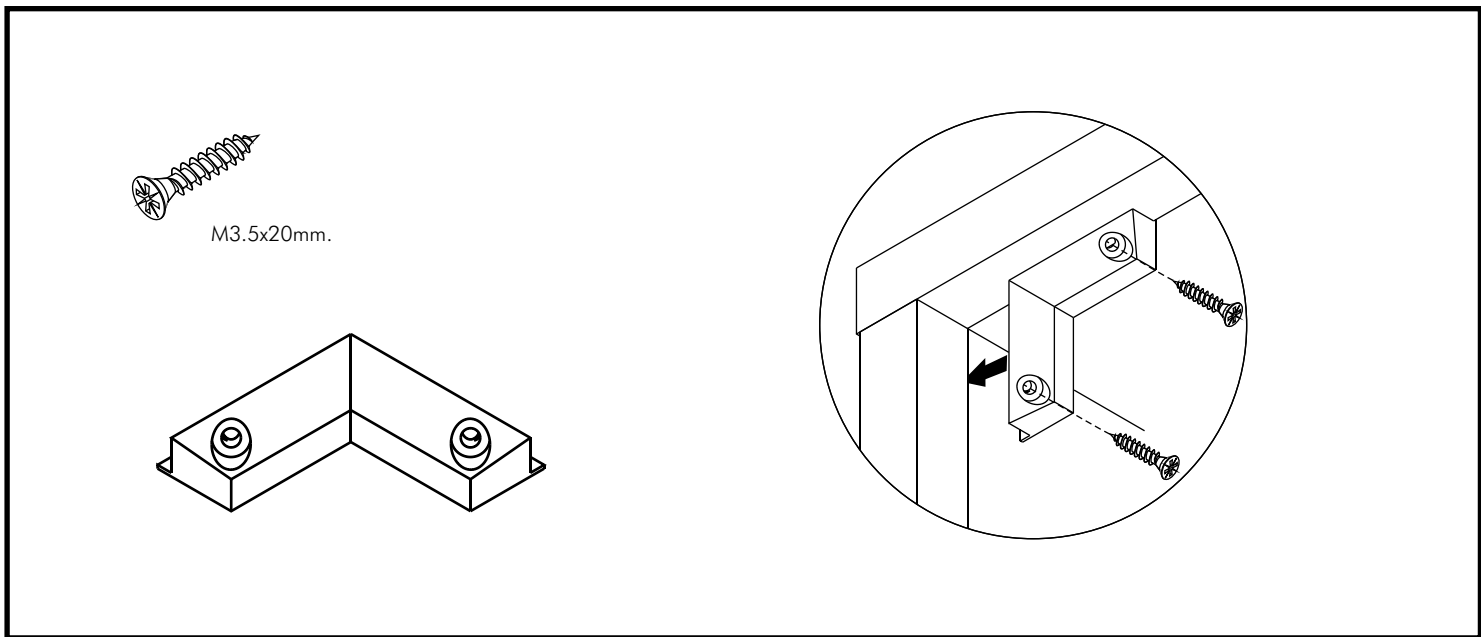
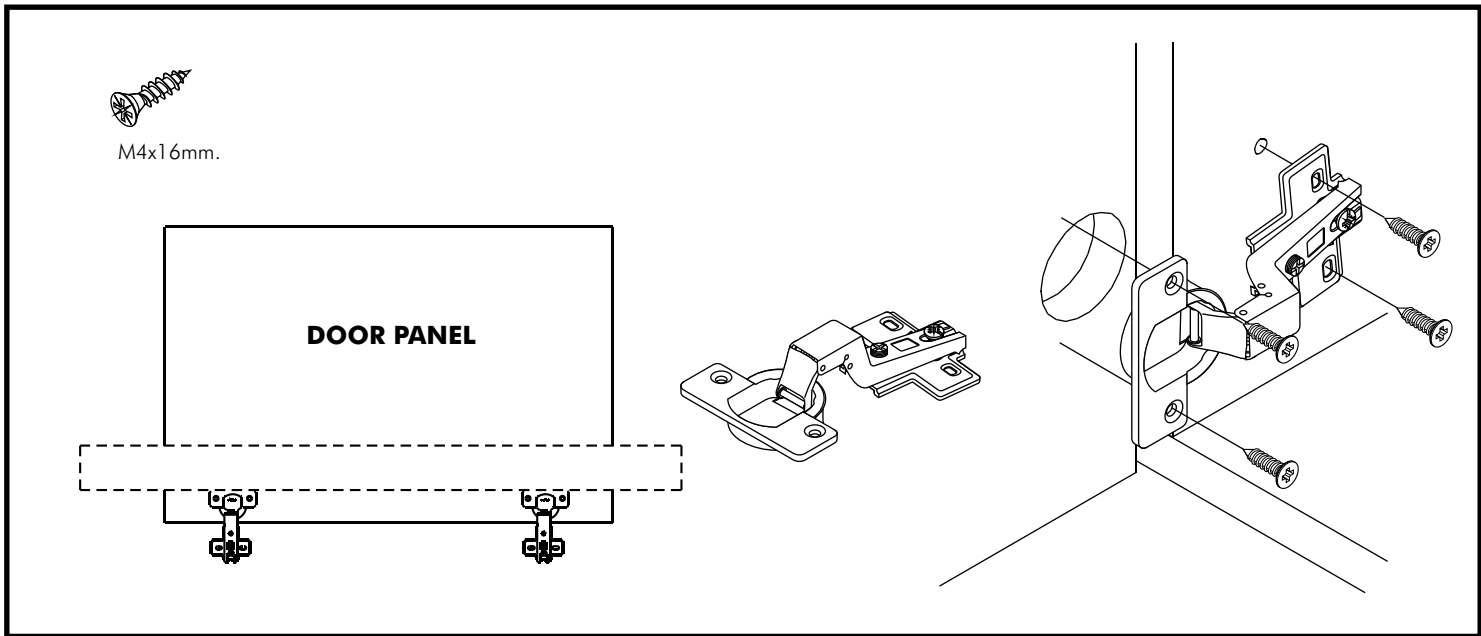


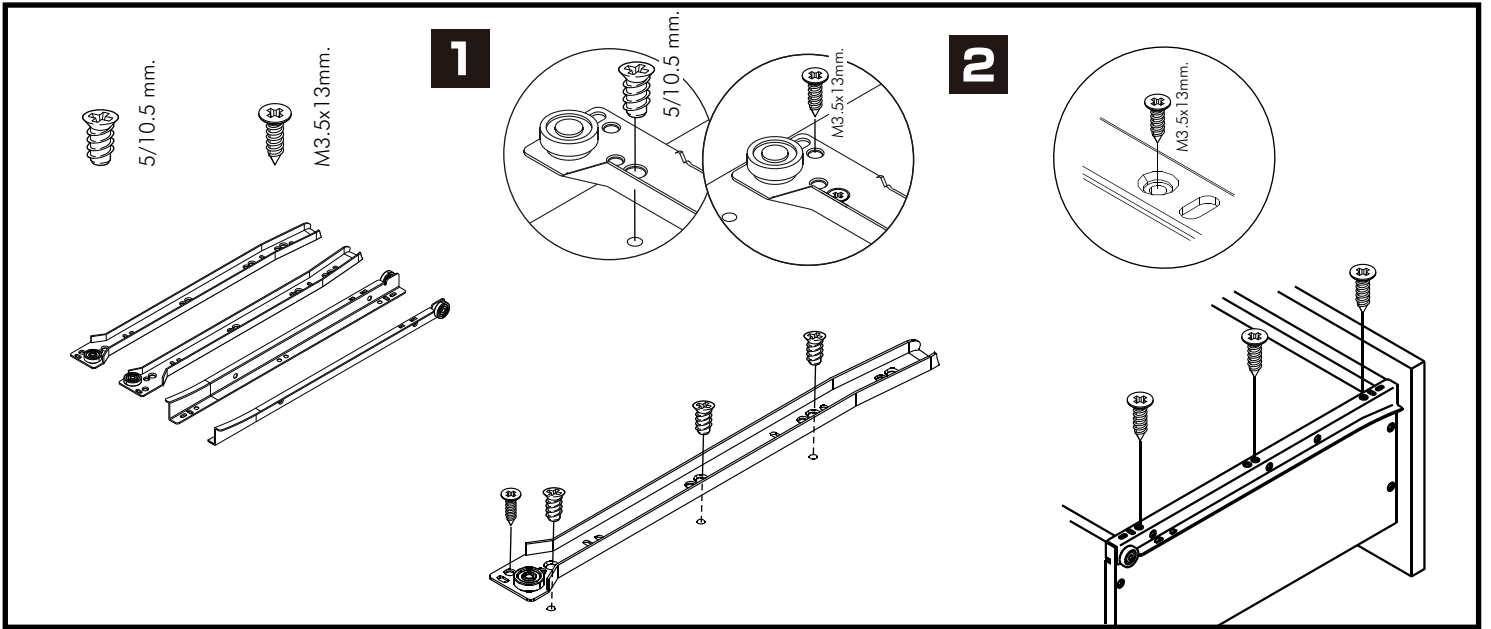
SKALAR

Wardrobe 4 drs

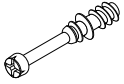


CONNECT SYSTEM





HARDWARE

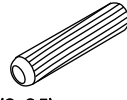


x 19



#16mm.

X 16



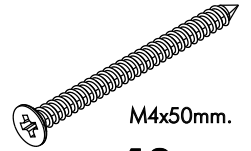
(8x35)

x 32



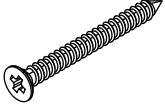
#19mm.

x 3



M4x50mm.

x 12

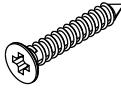


M4x40mm.

x 25



x 2

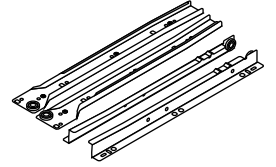


M4x25mm.

x 14



x 3



x 2SET



5/10.5mm.

x 12



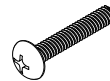
M3.5x13mm.

x 24



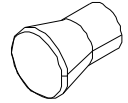
M6x23mm.

x 12

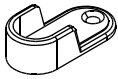


M4x20mm.

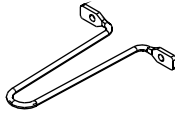
x 6



x 6



x 4

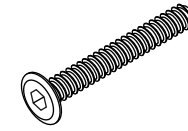


x 1



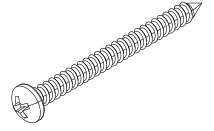
M4x16mm.

x 58



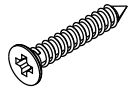
M6x45

x 2



M4x45mm.

x 4



M4x25mm.(BLACK)

x 12

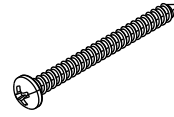


x 14



M4x16mm.

x 56



M4x35mm.

x 3

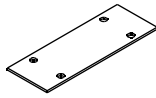


#M3.5x20(F)

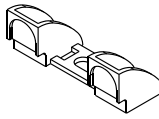
x 8



x 1



x 2



x 4



#M3.5x16(P)

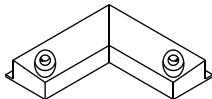
x 8



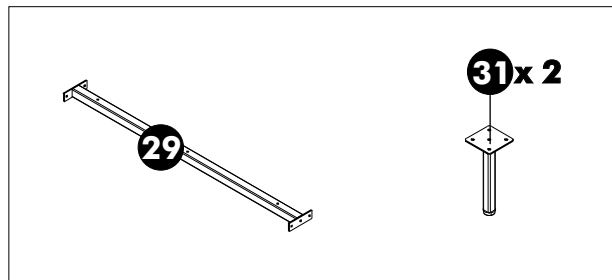
x 8



x 4



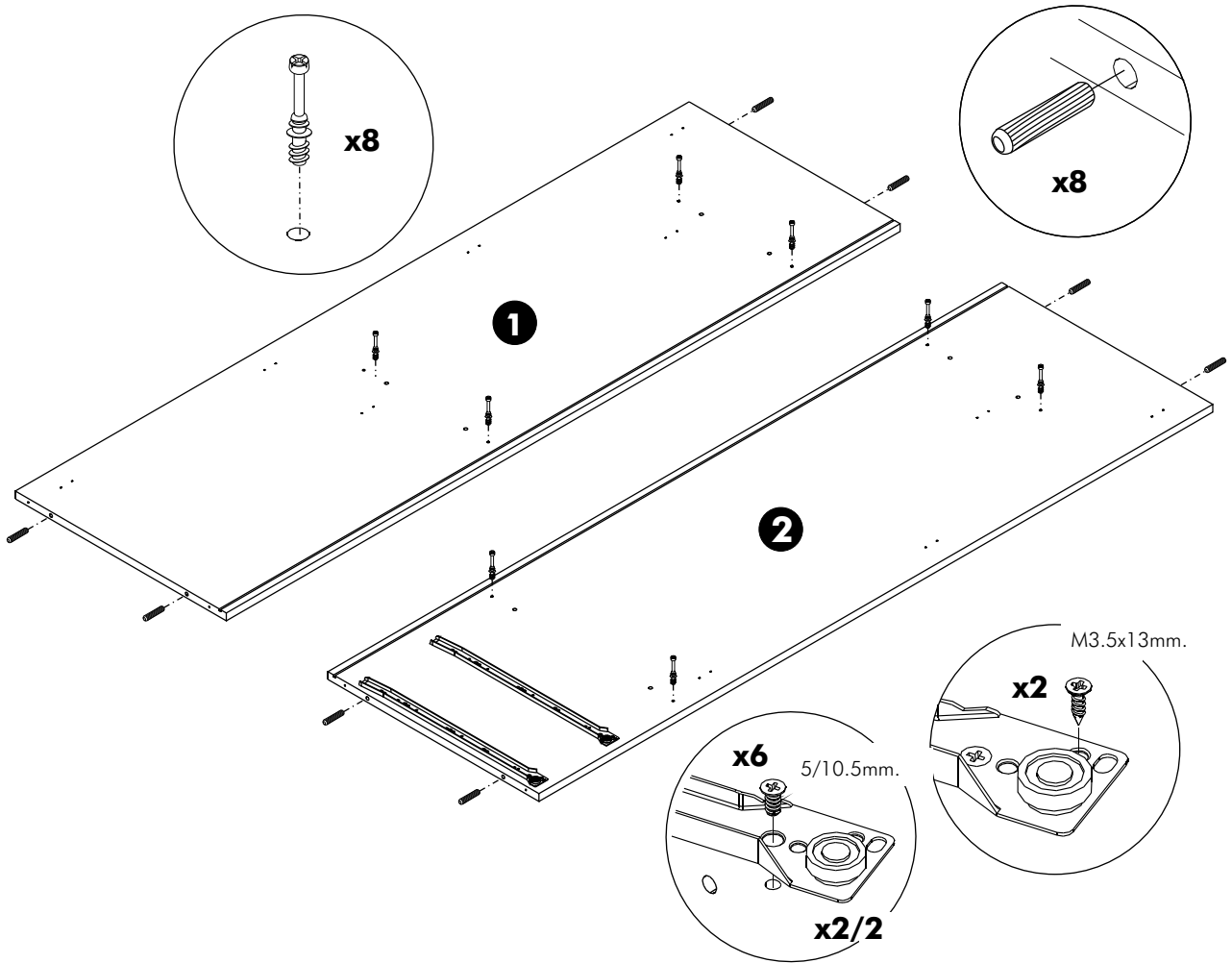
x 4



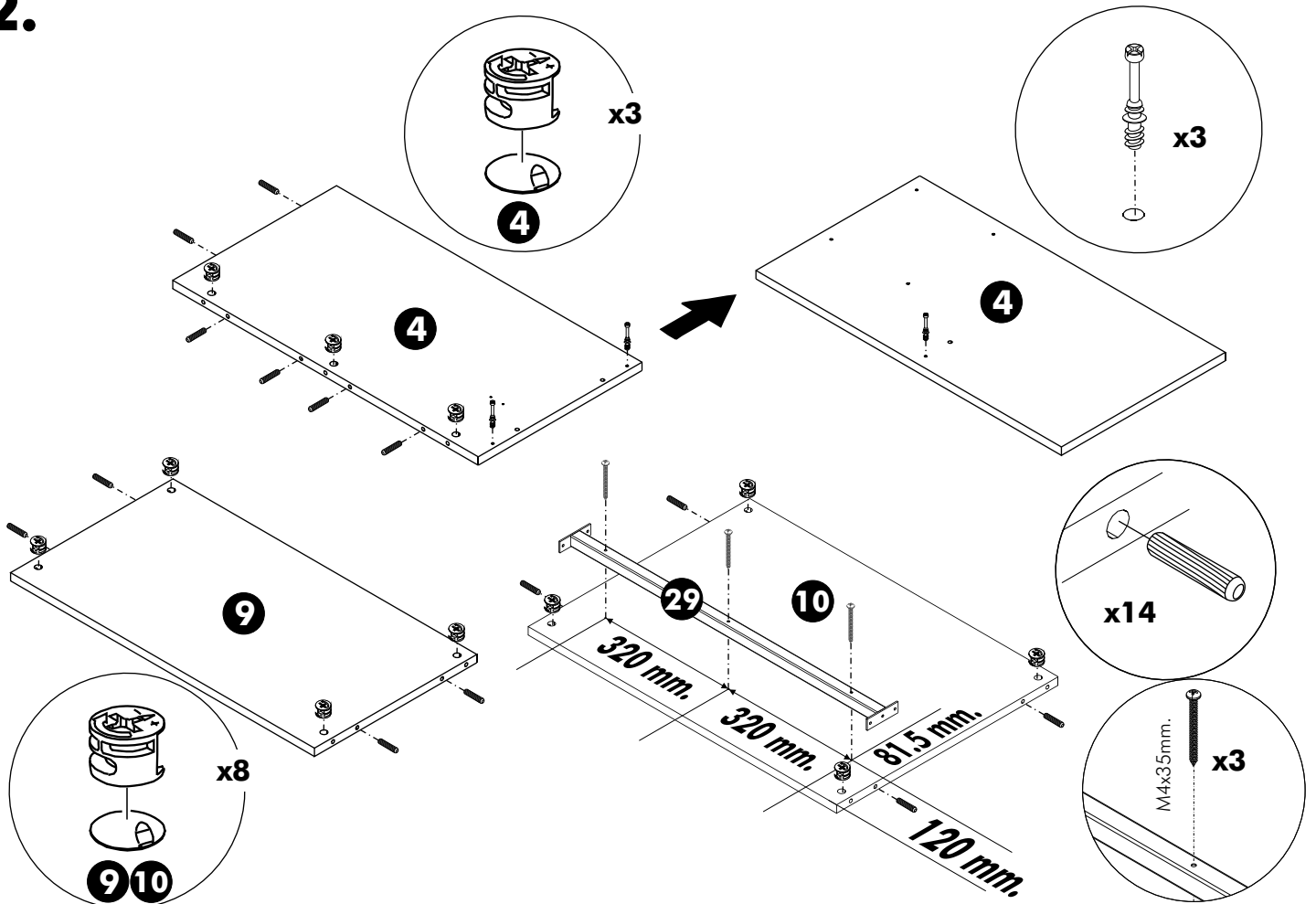
29

31 x 2

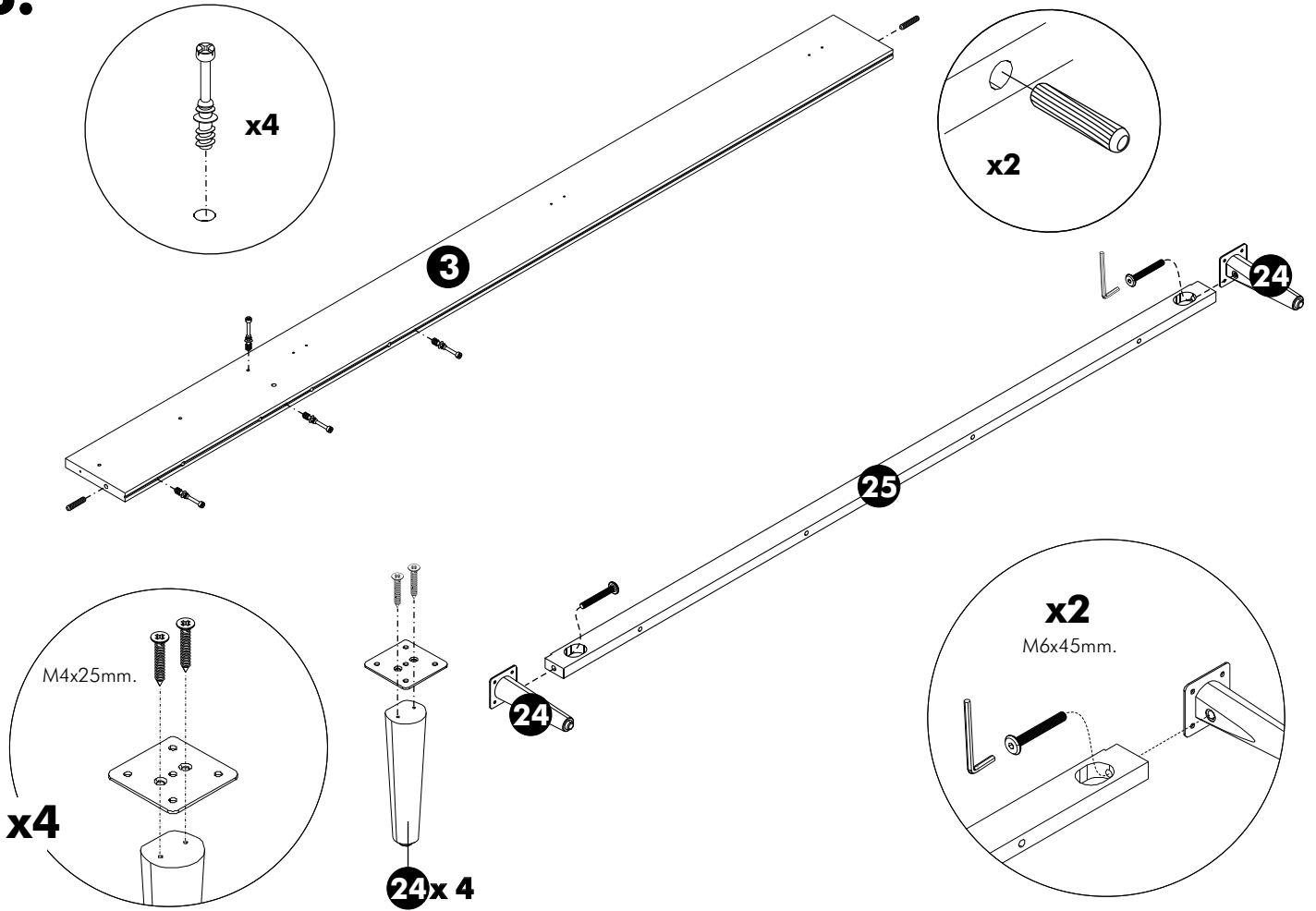
1.



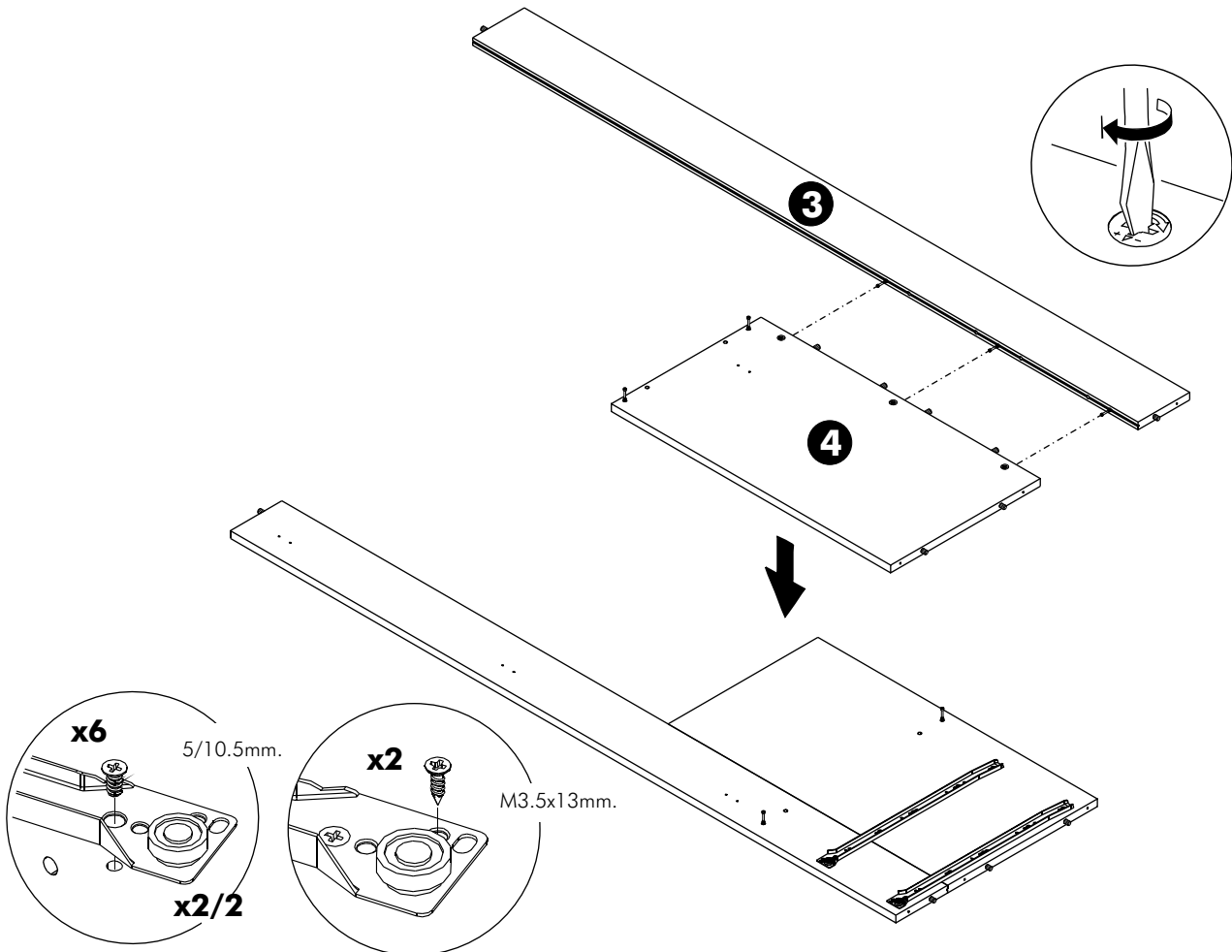
2.



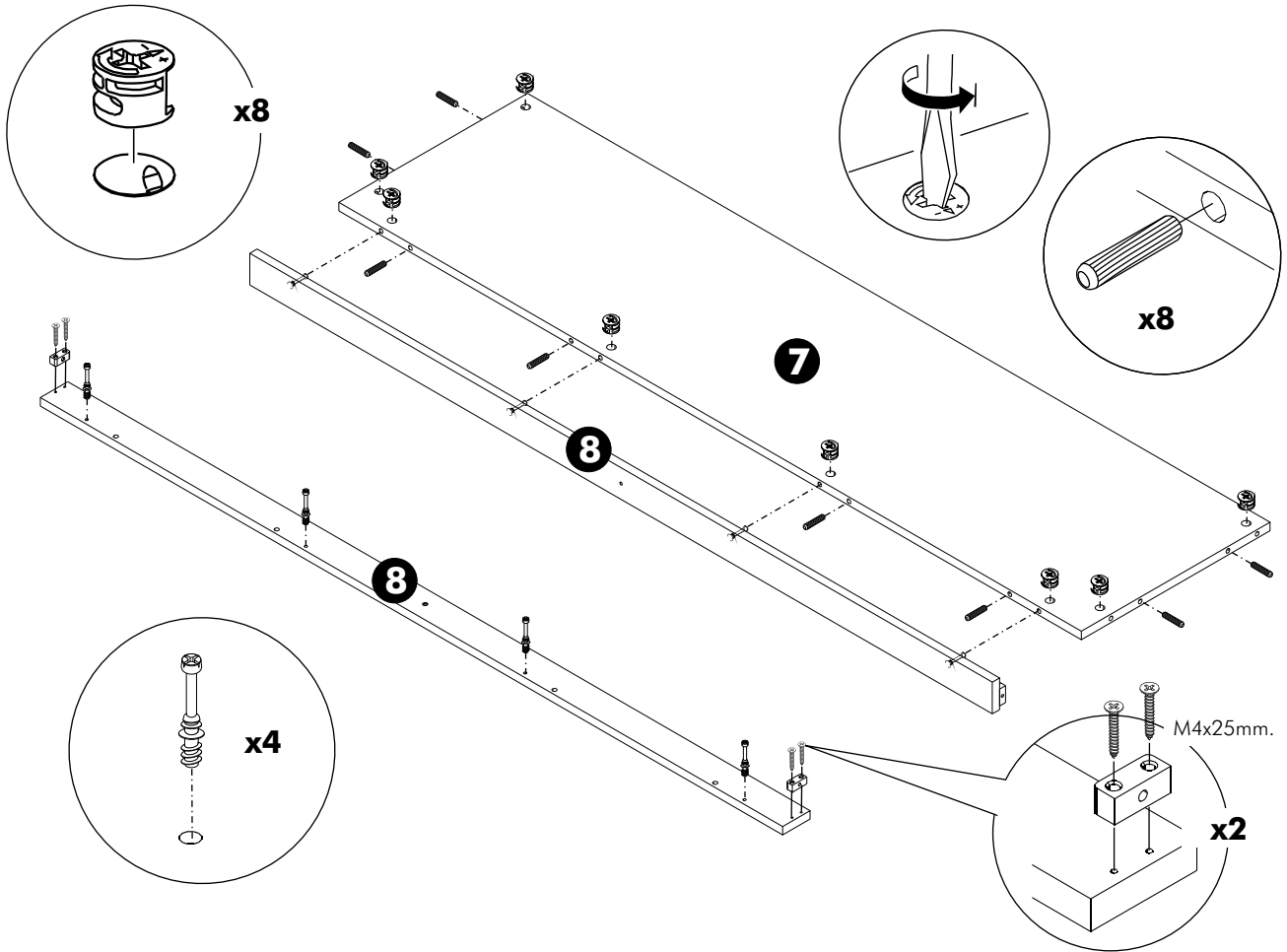
3.



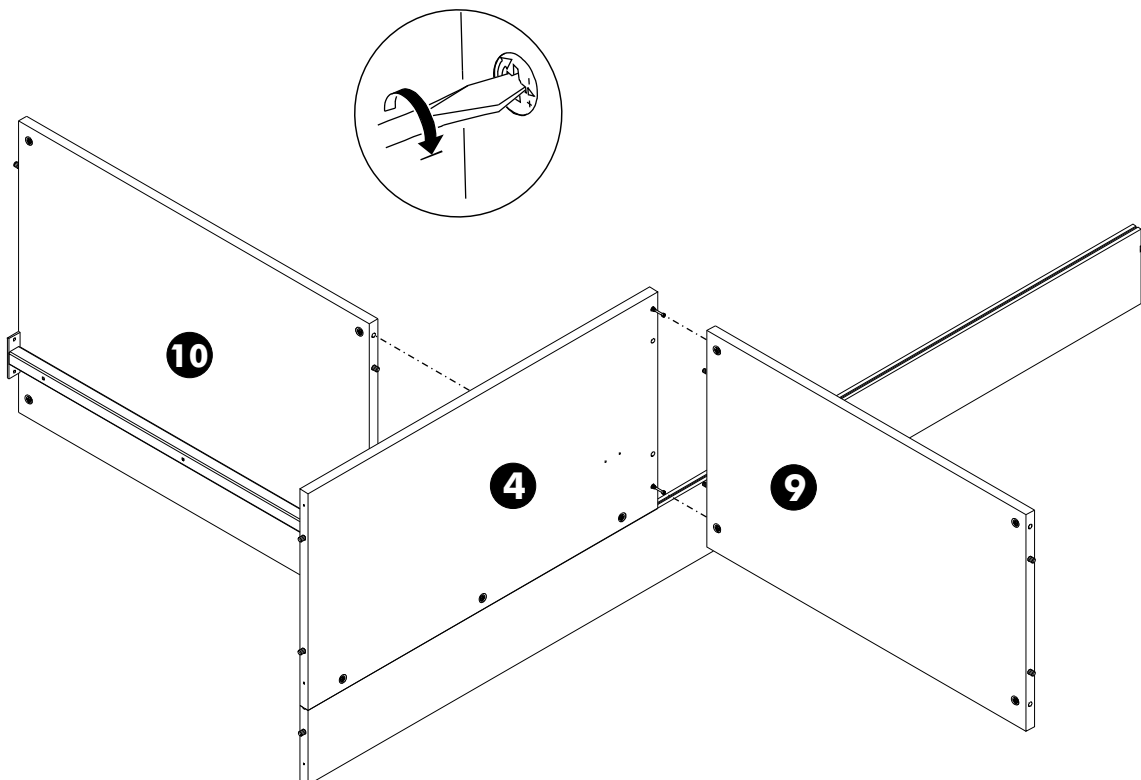
4.



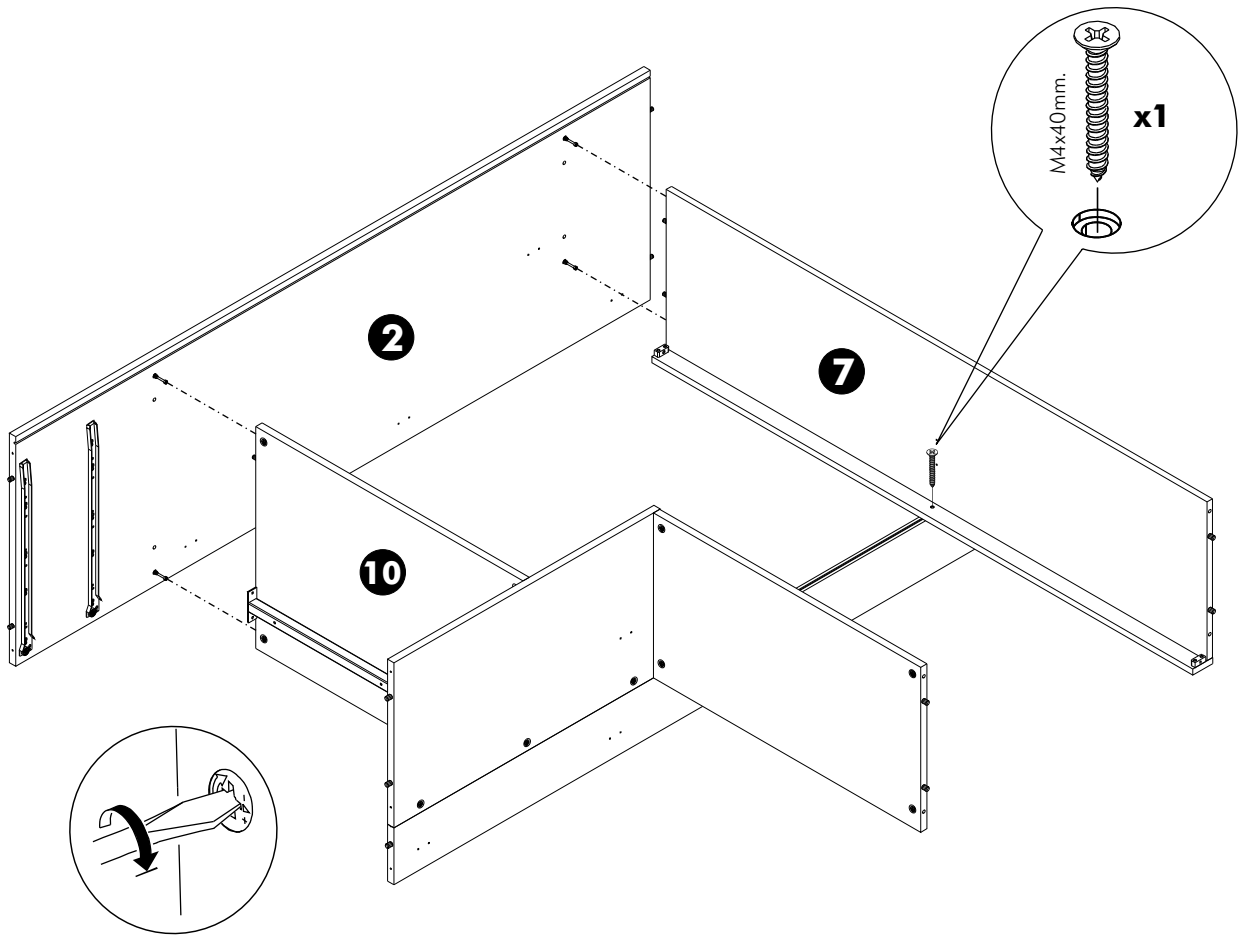
5.



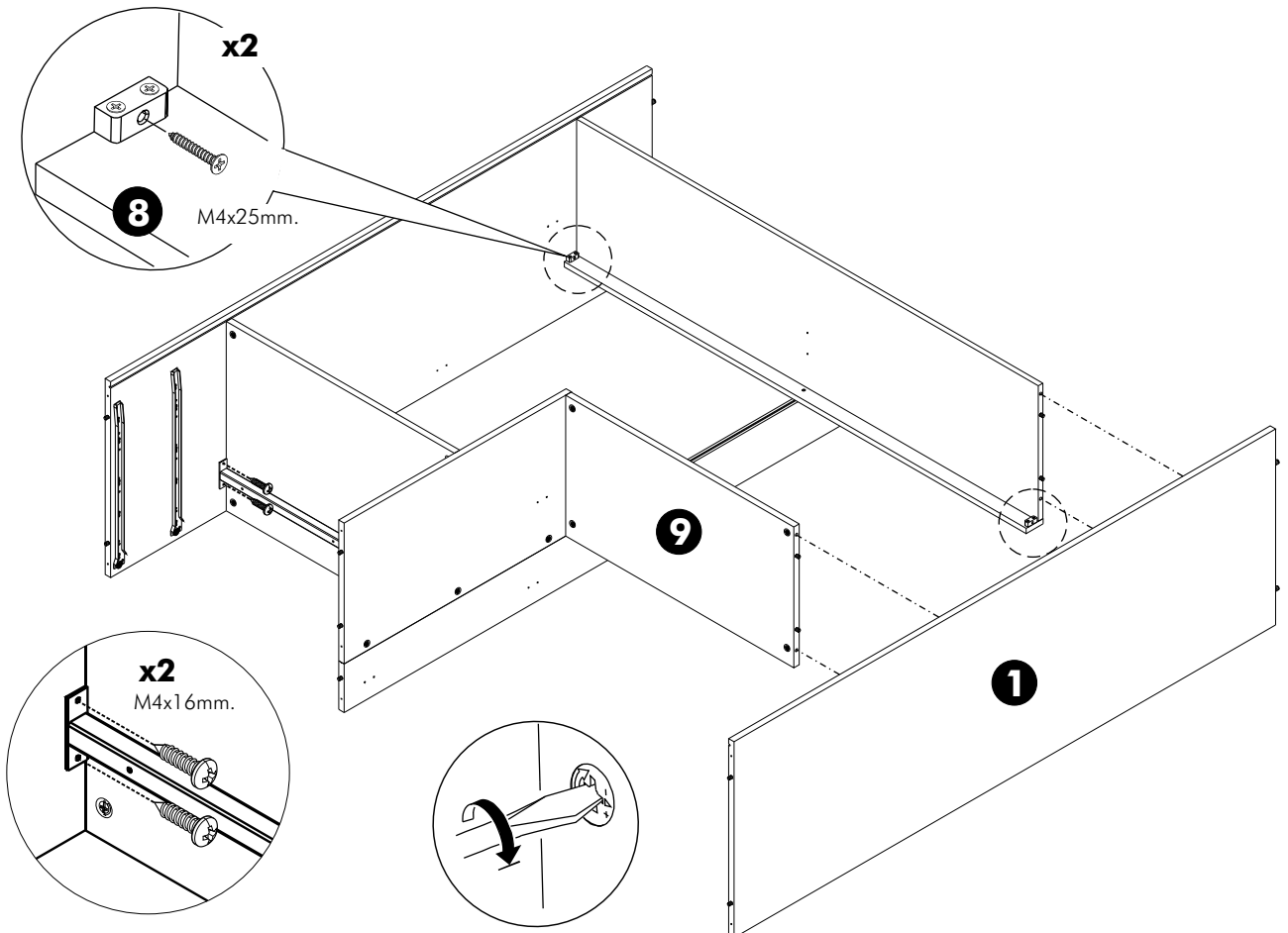
6.



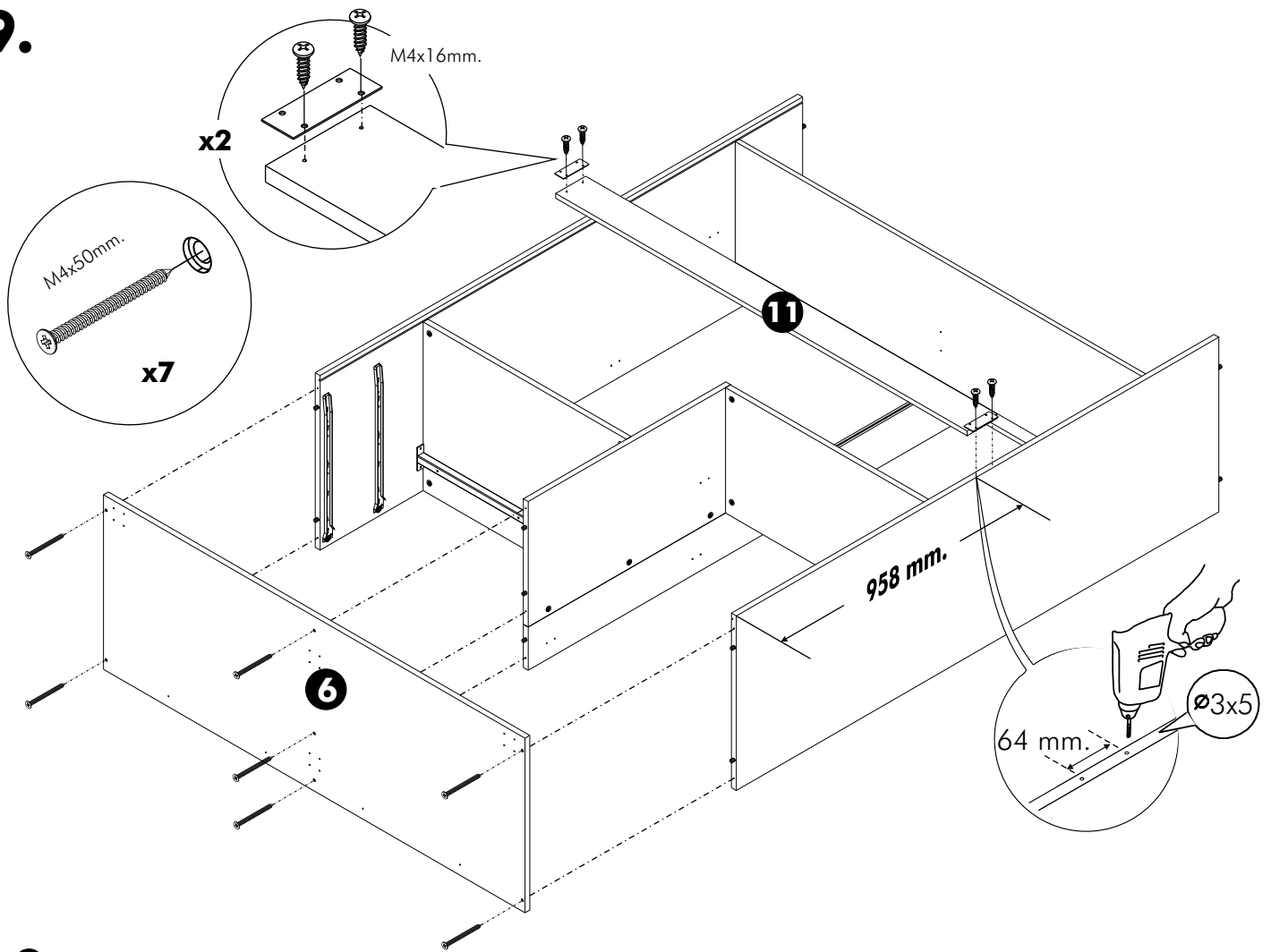
7.



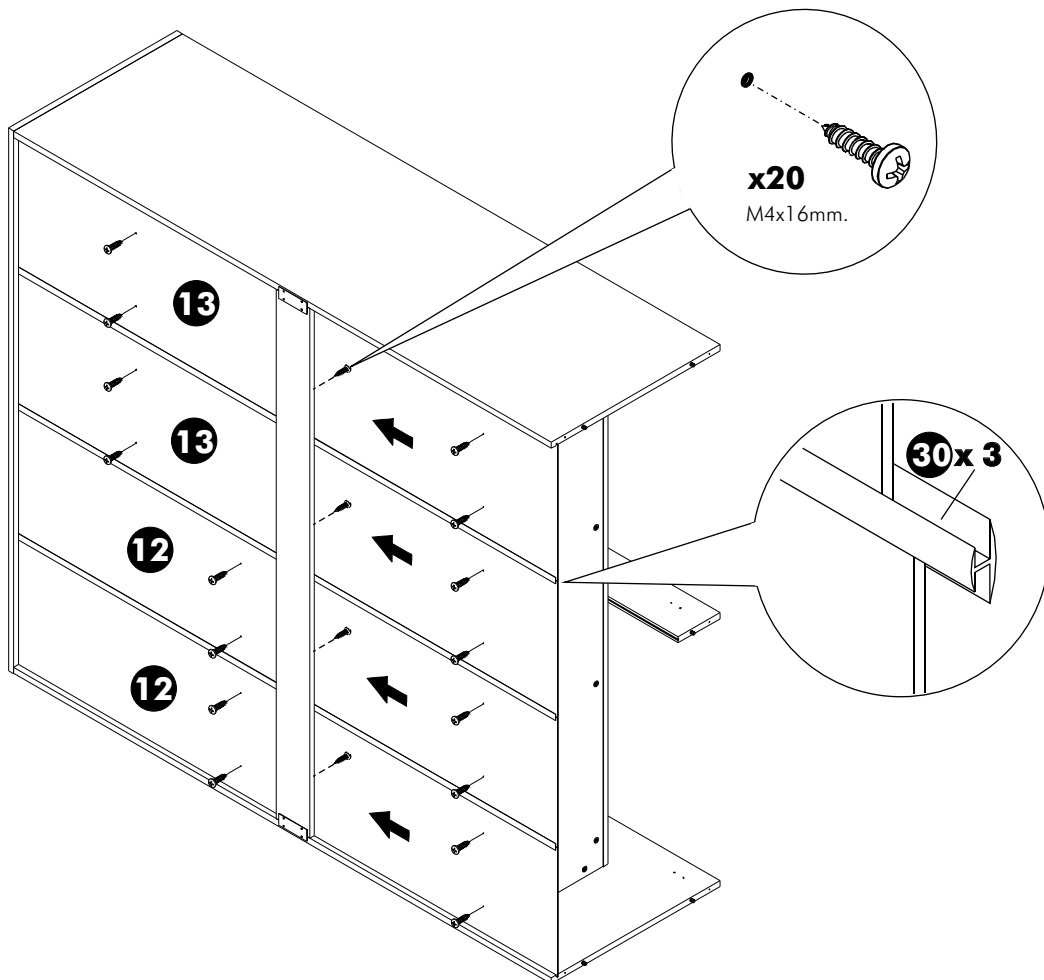
8.



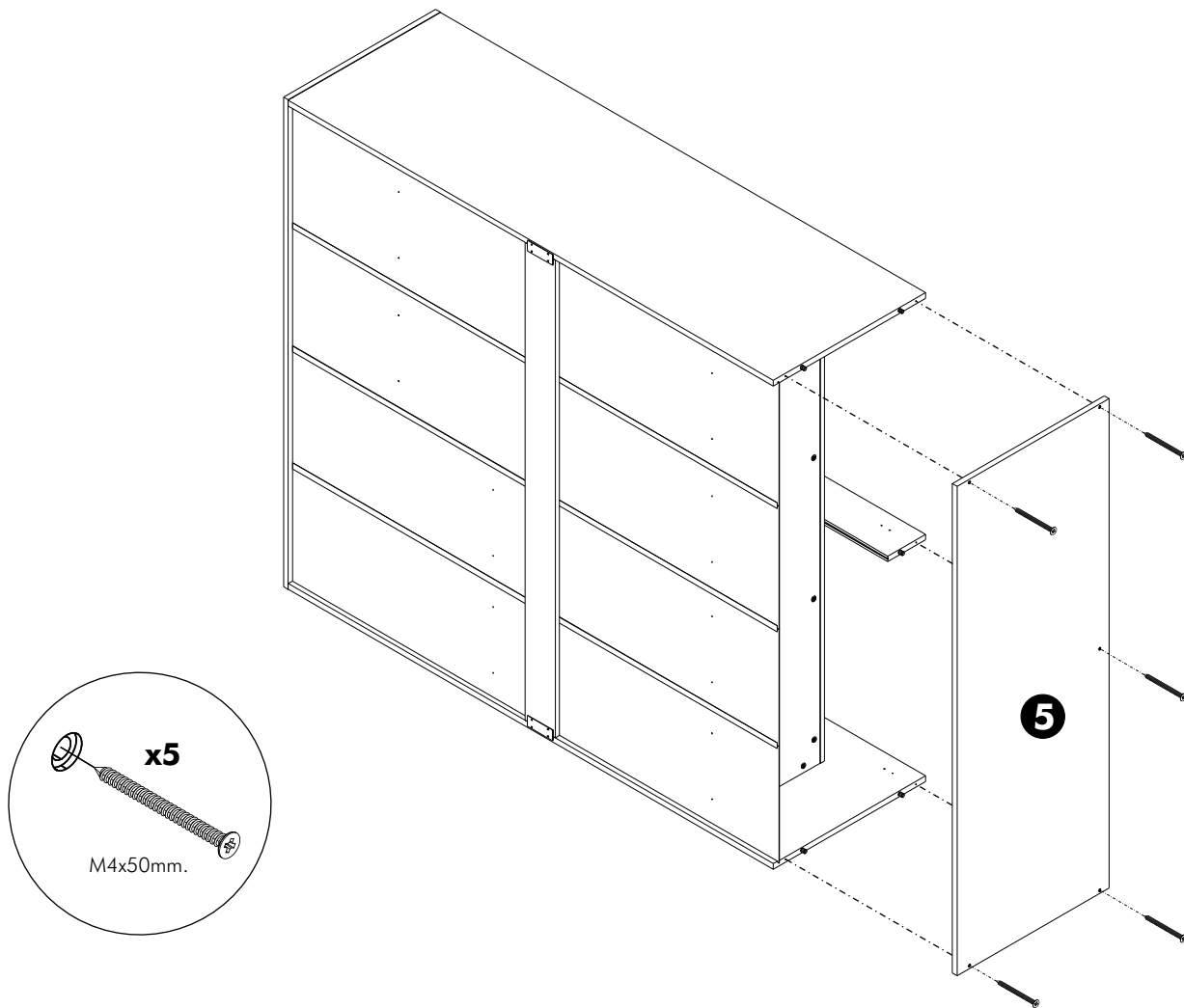
9.



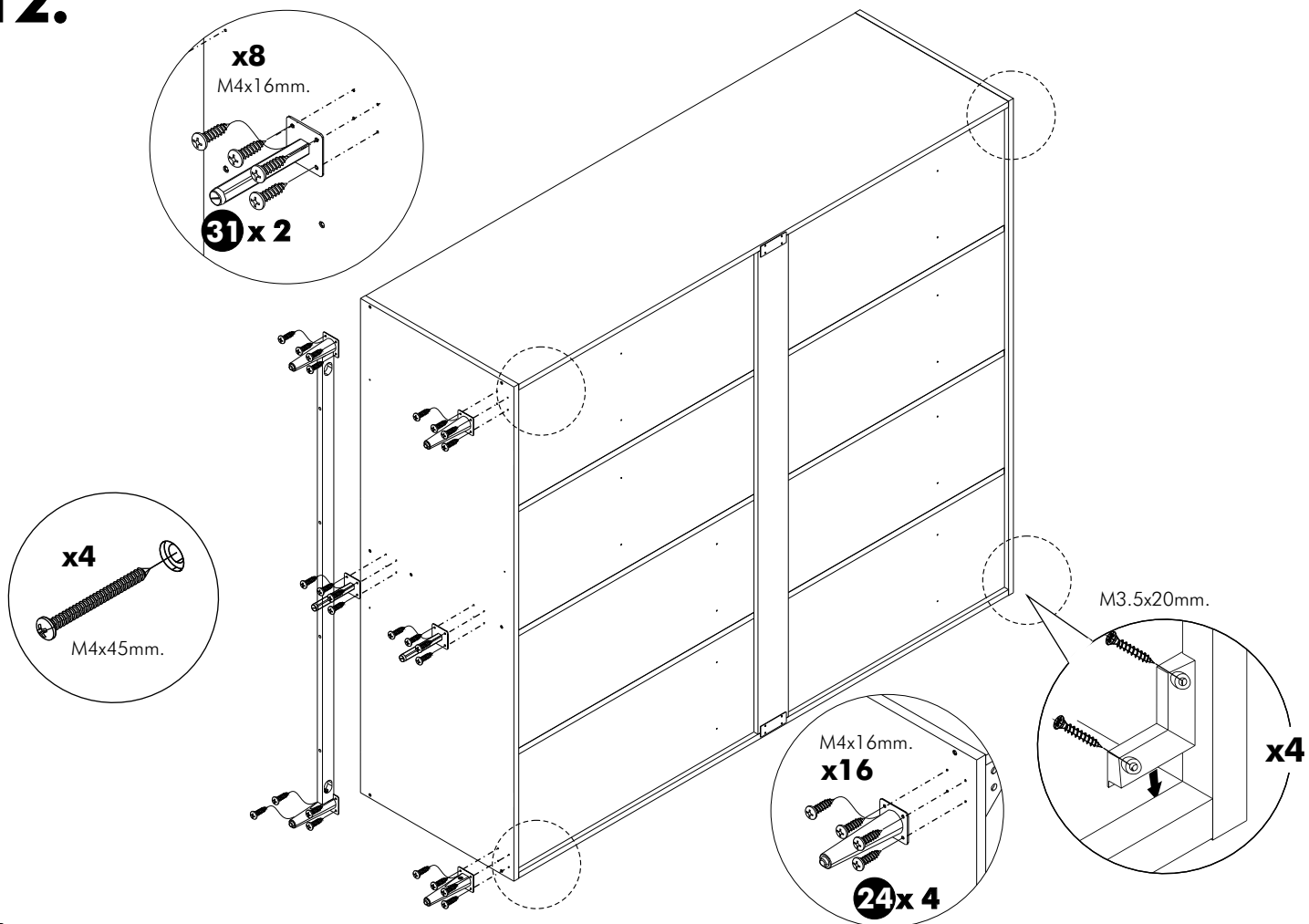
10.

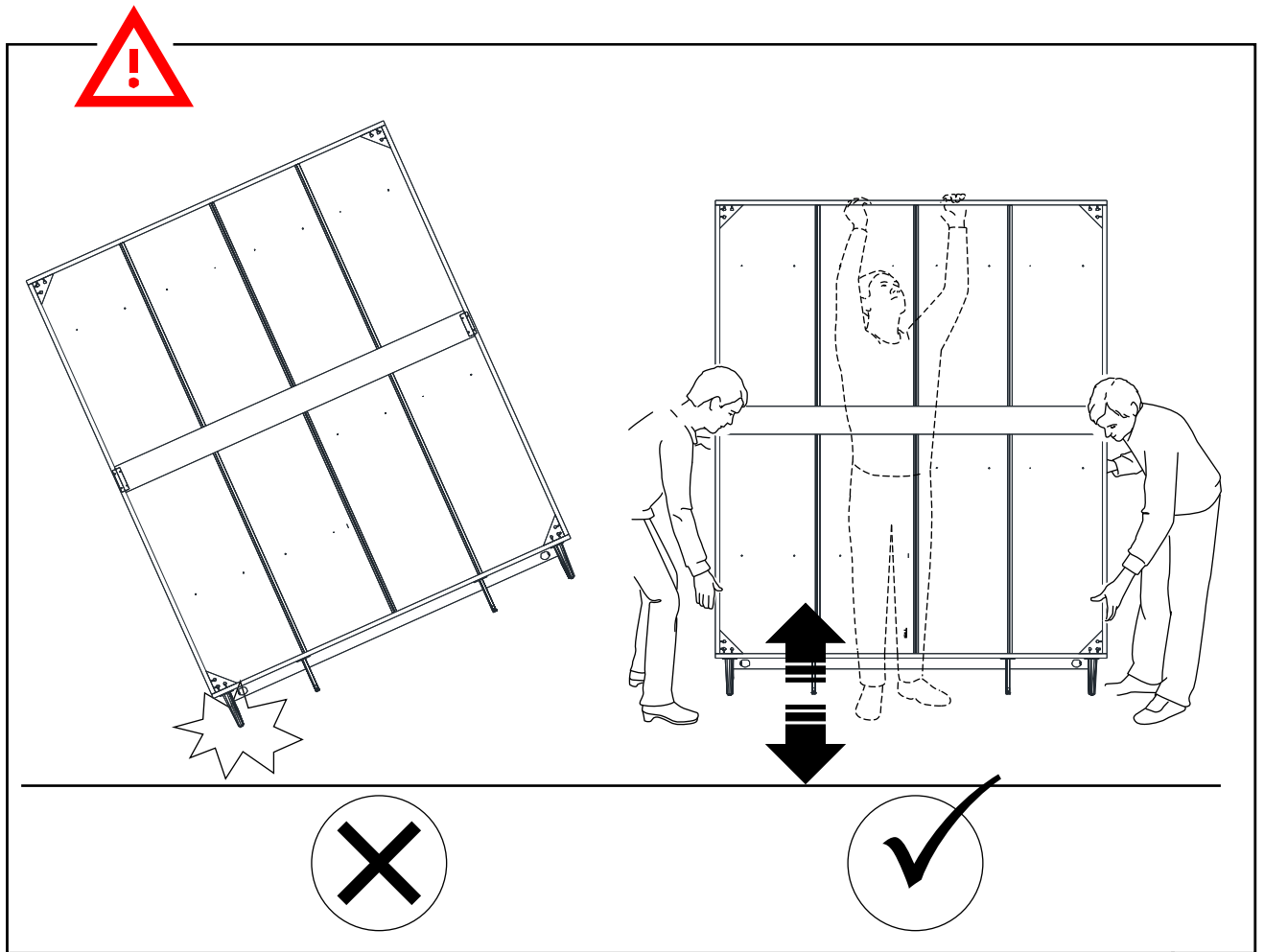


11.

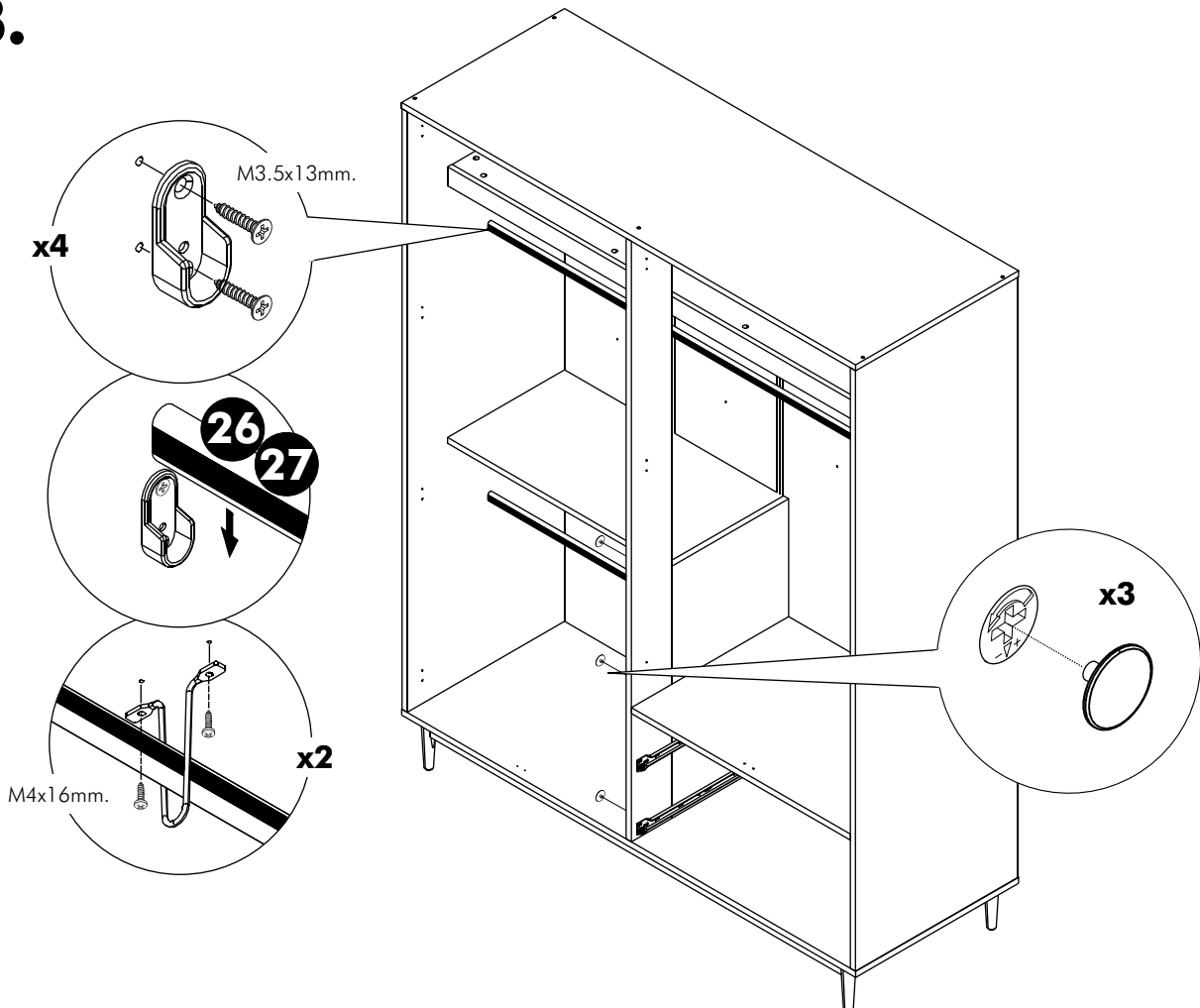


12.

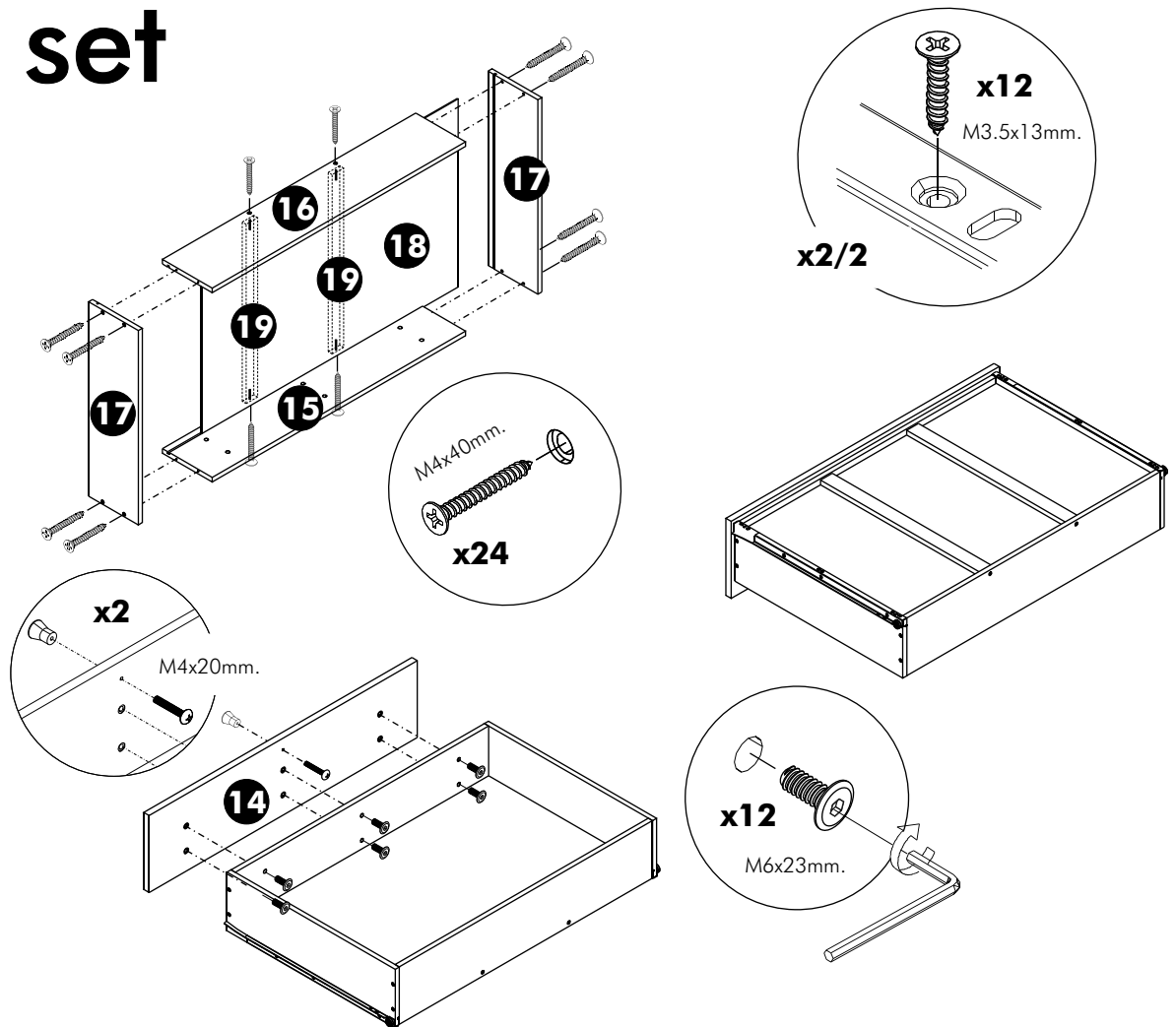




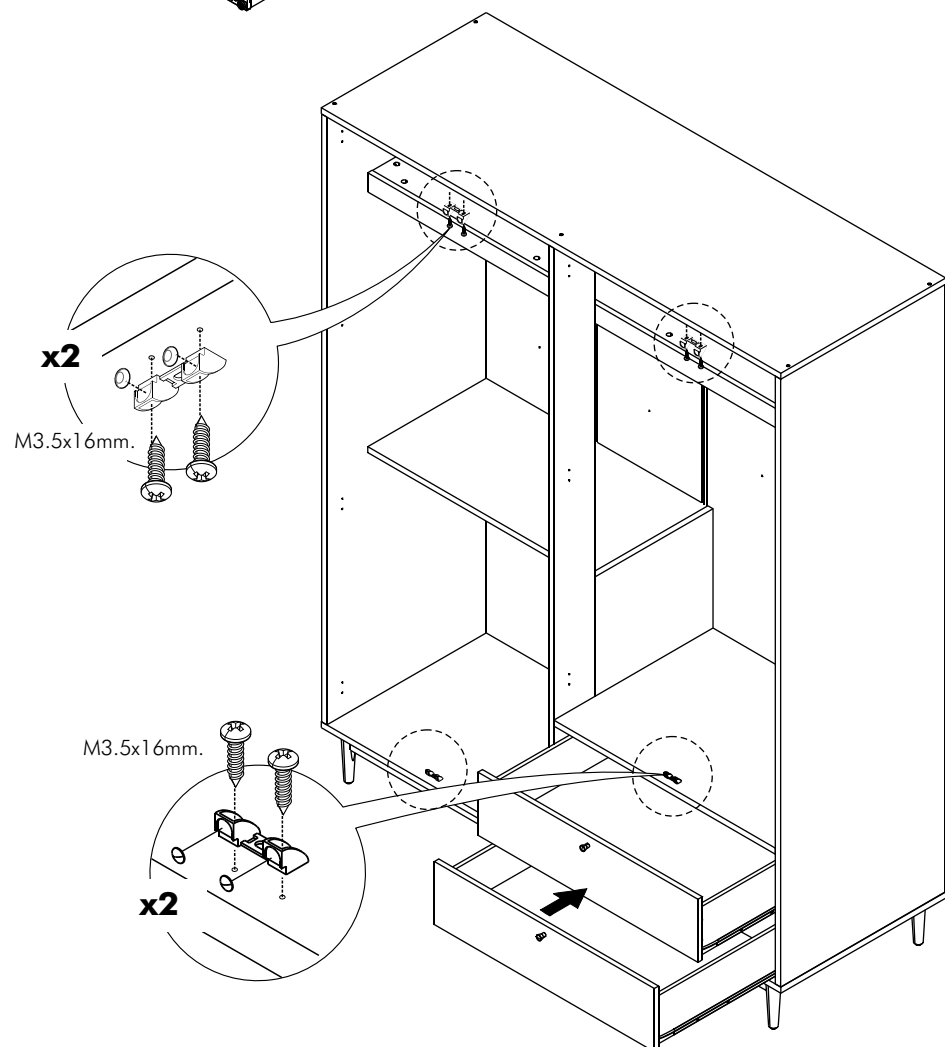
13.



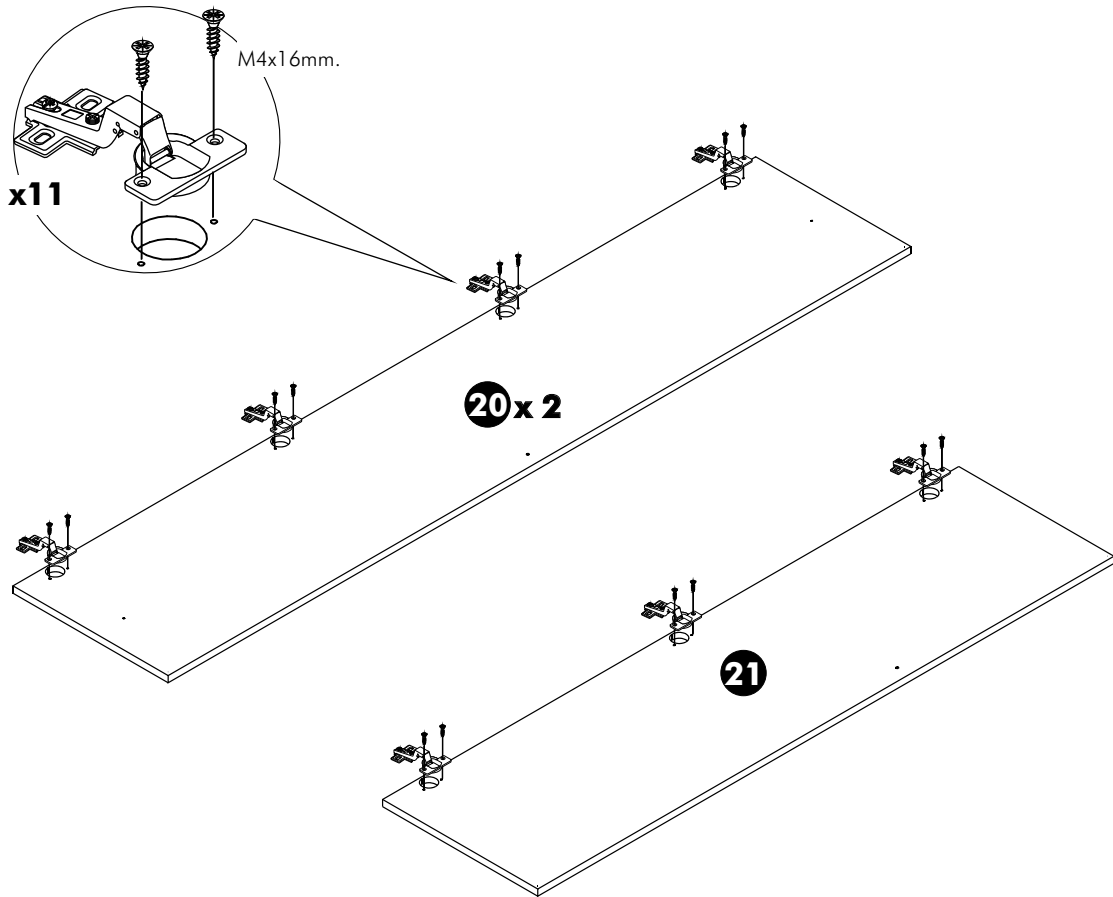
14. 2 set



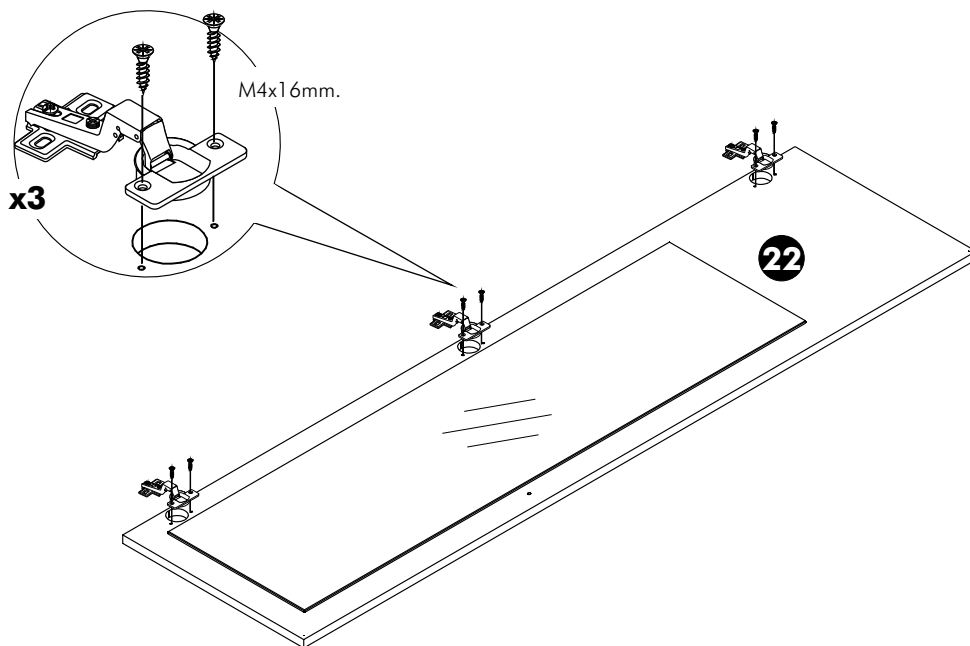
15.



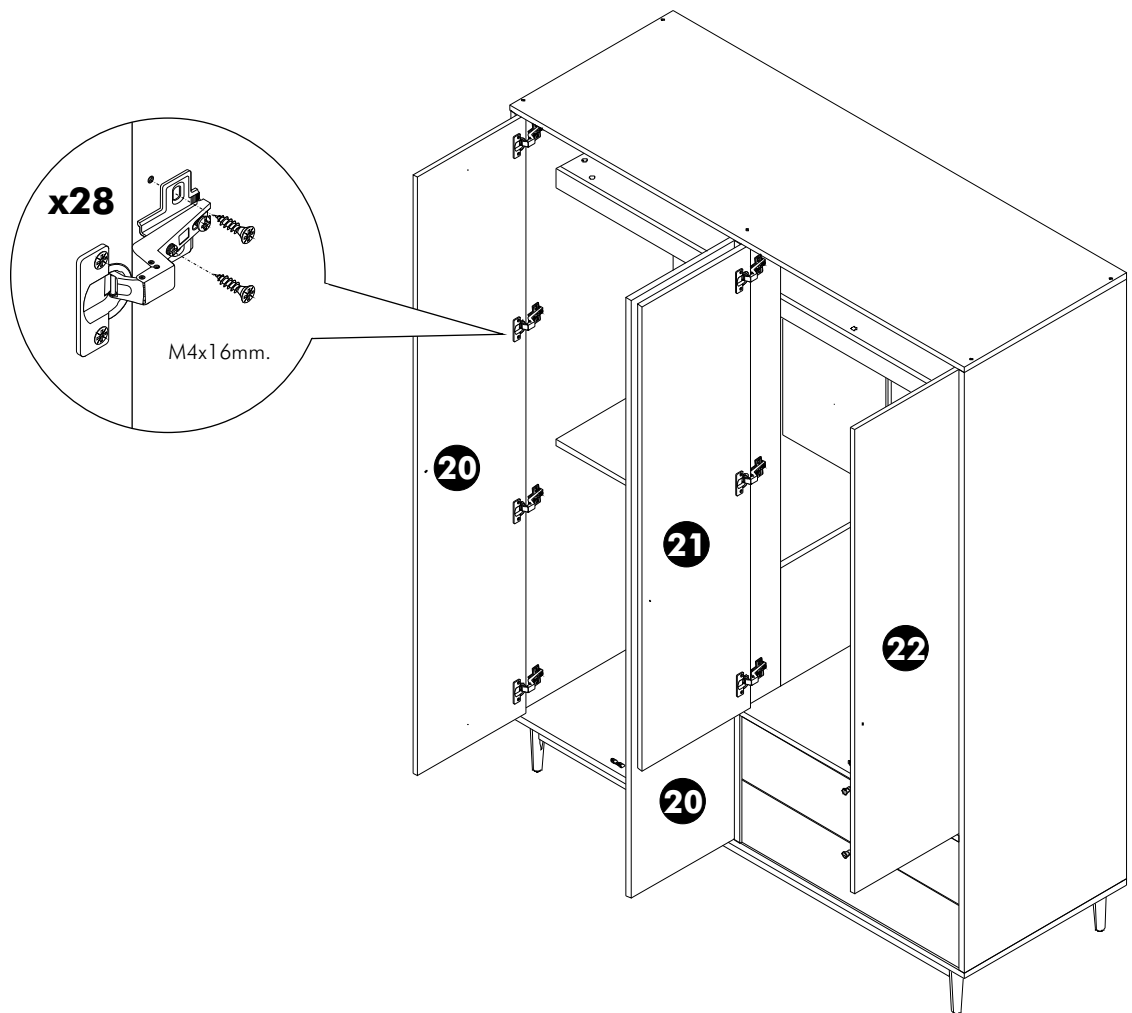
16.



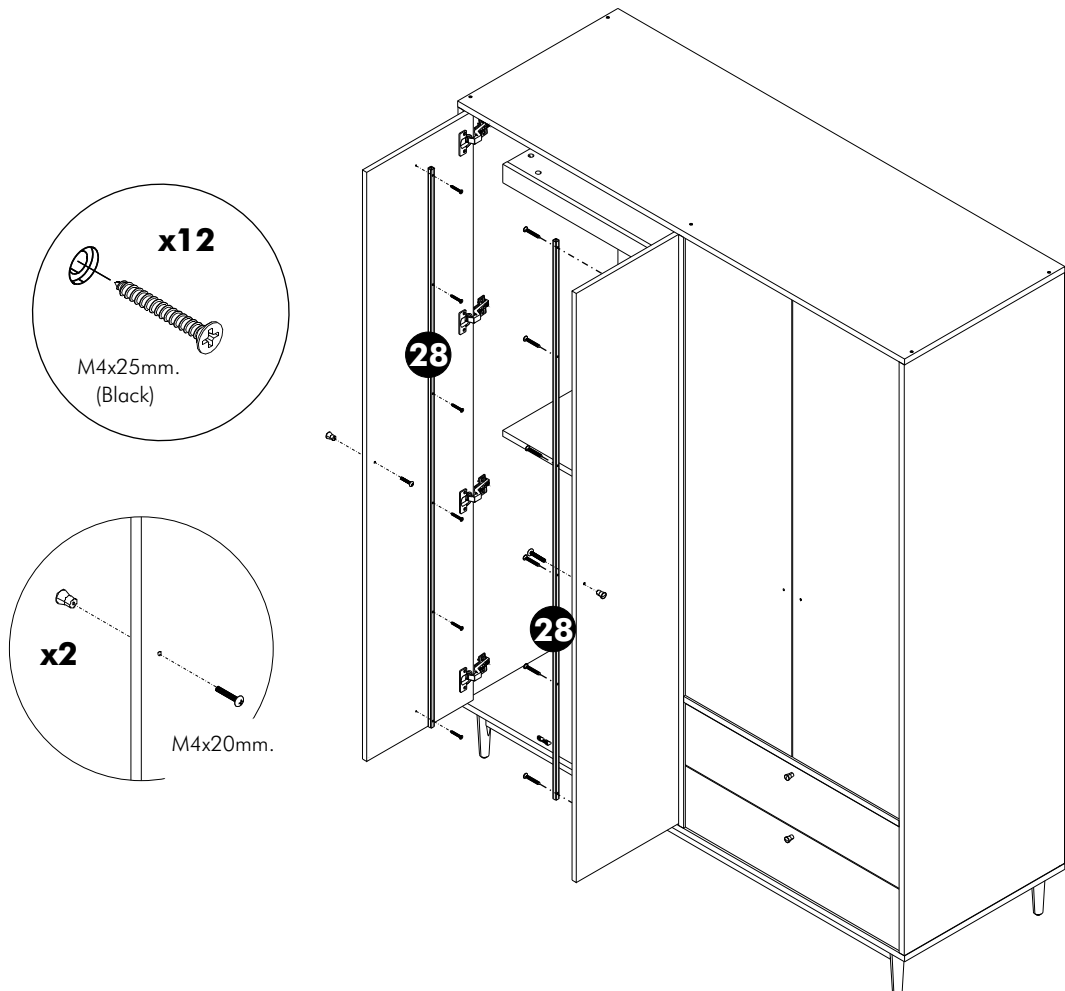
17.



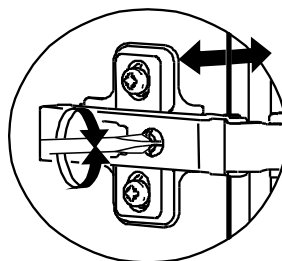
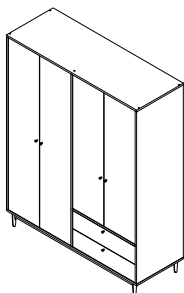
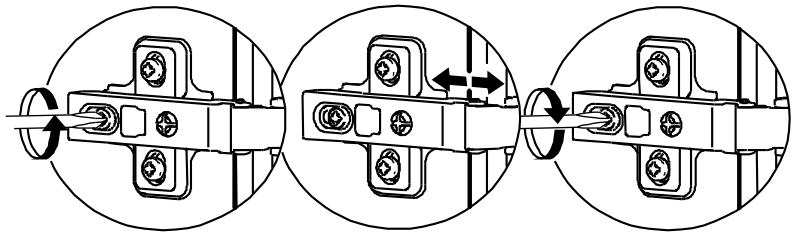
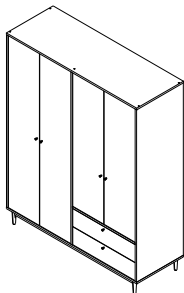
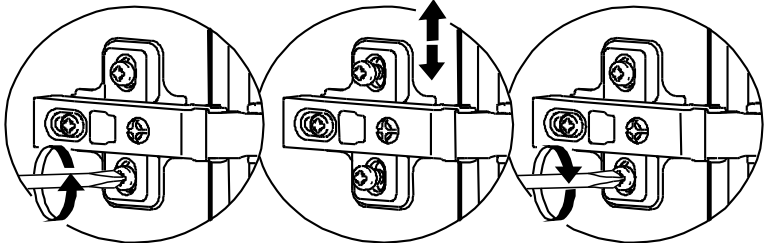
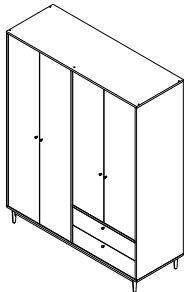
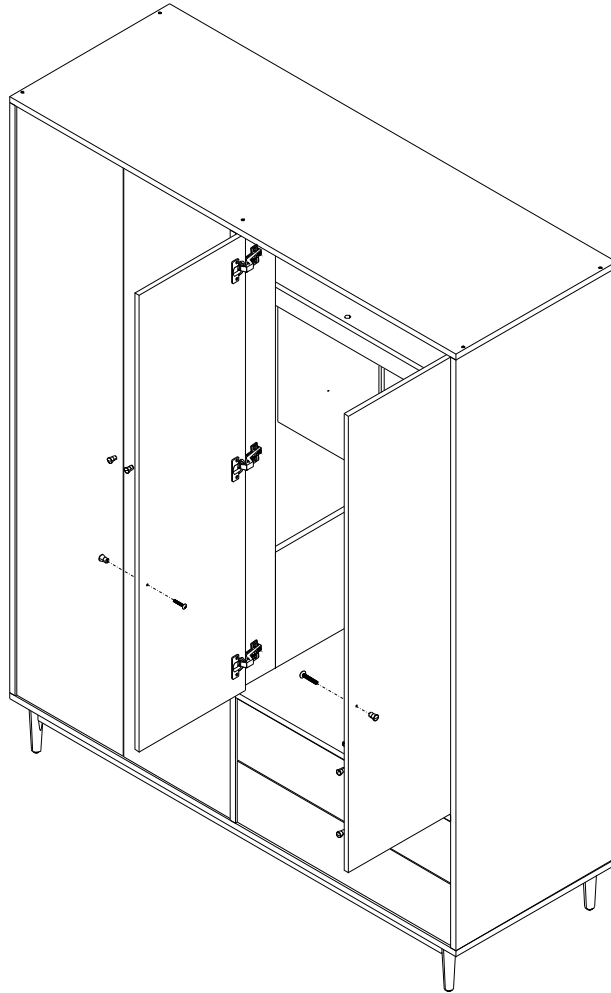
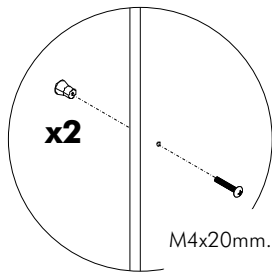
18.

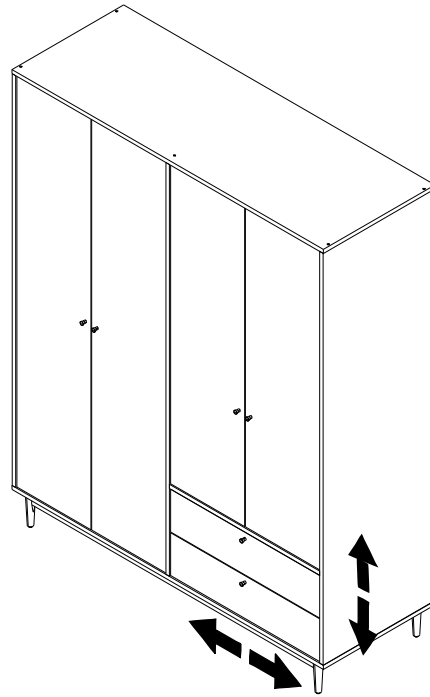
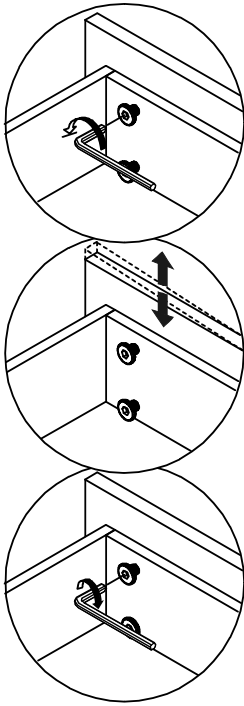


19.



20.





AFTER FINISHED ASSEMBLY.
IN CASE OF GAP BETWEEN DRAWERS ARE NOT ALIGN.
PLEASE ADJUST AS BELOW.
1. LOOSE SCREW A LITTLE BIT.
2. THEN MOVE FRONT DRAWER TO ALINGNMENT POSITION.
3. TIGHTEN SCREW.