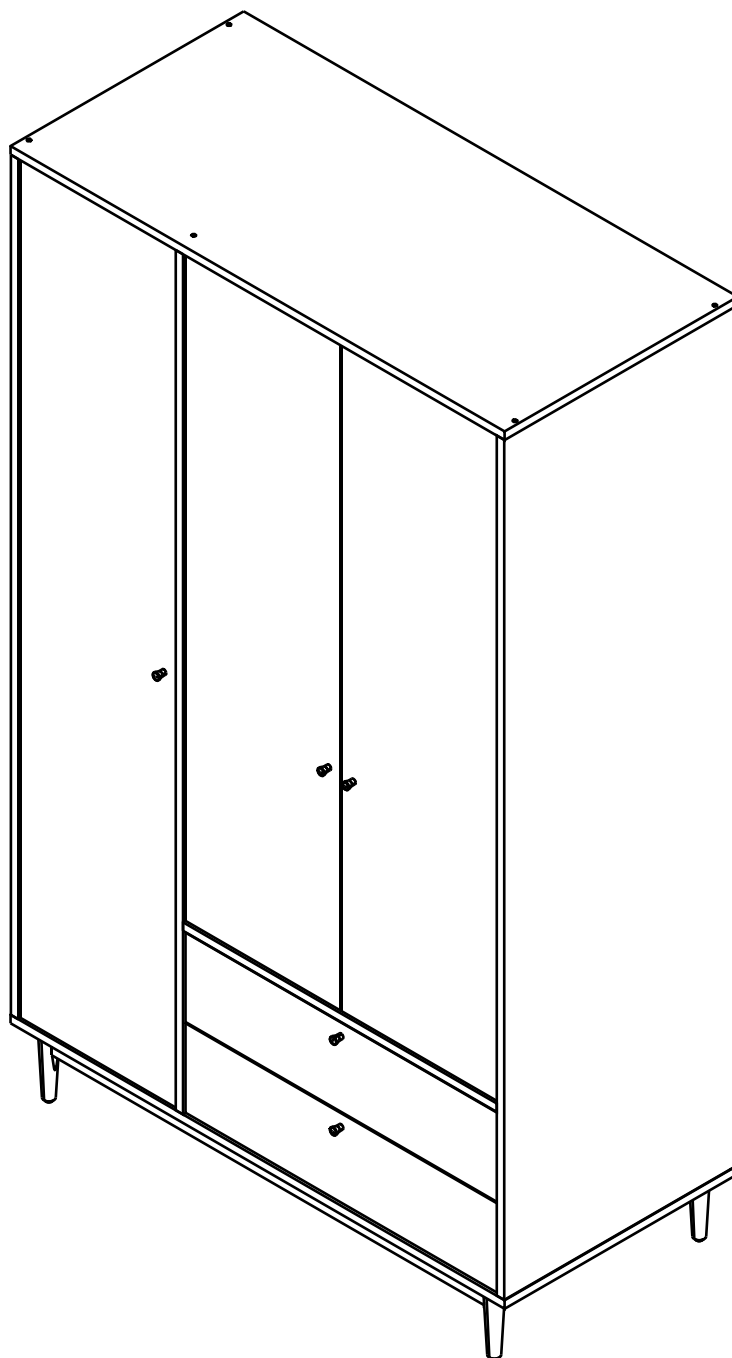
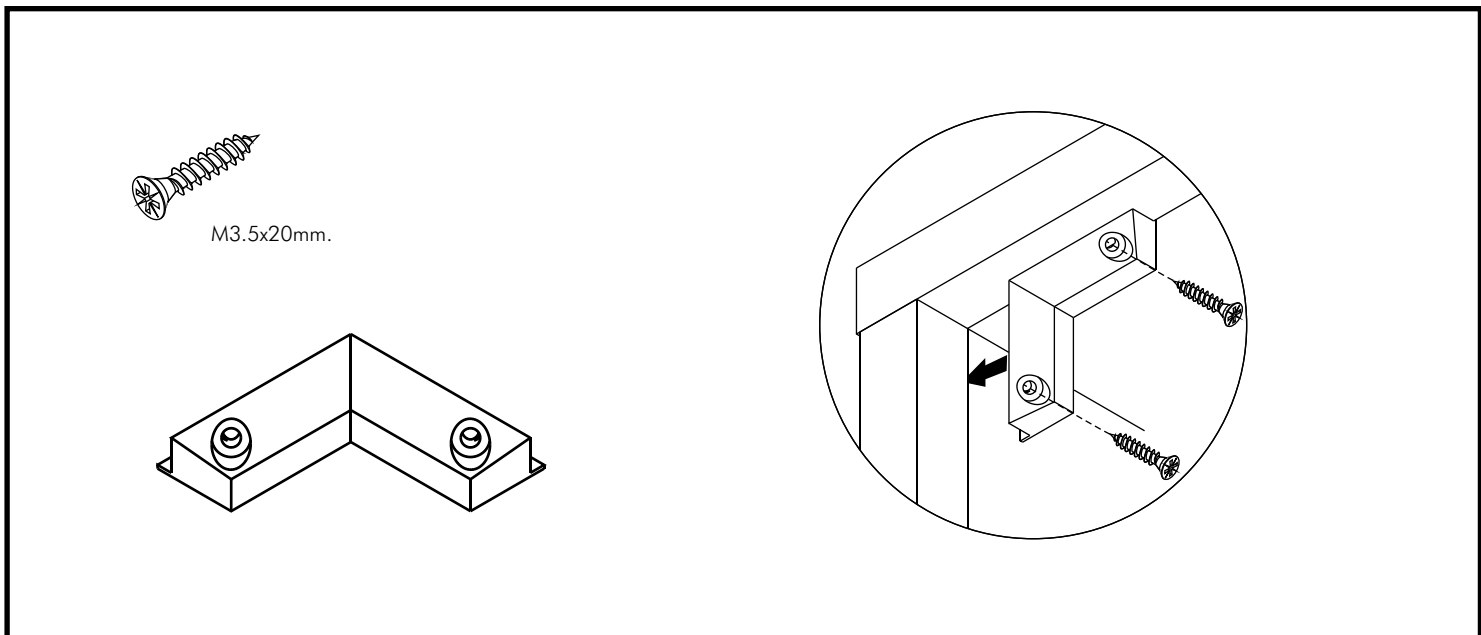
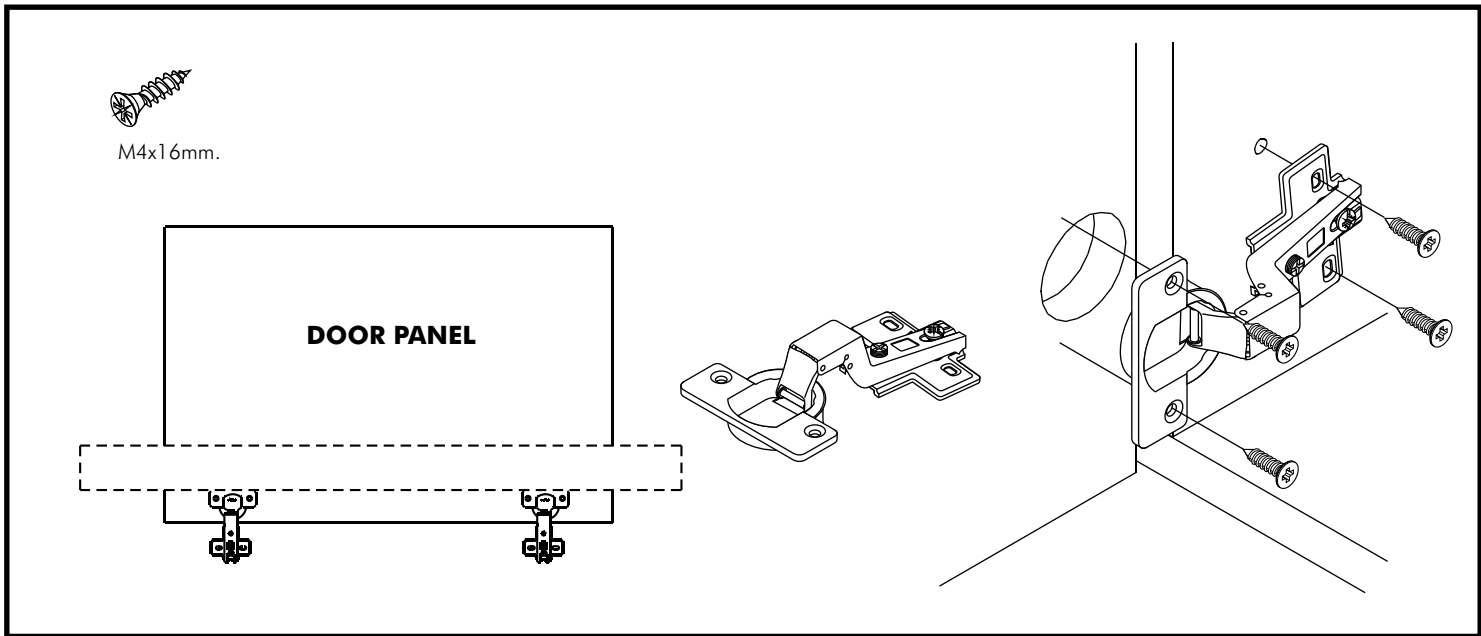


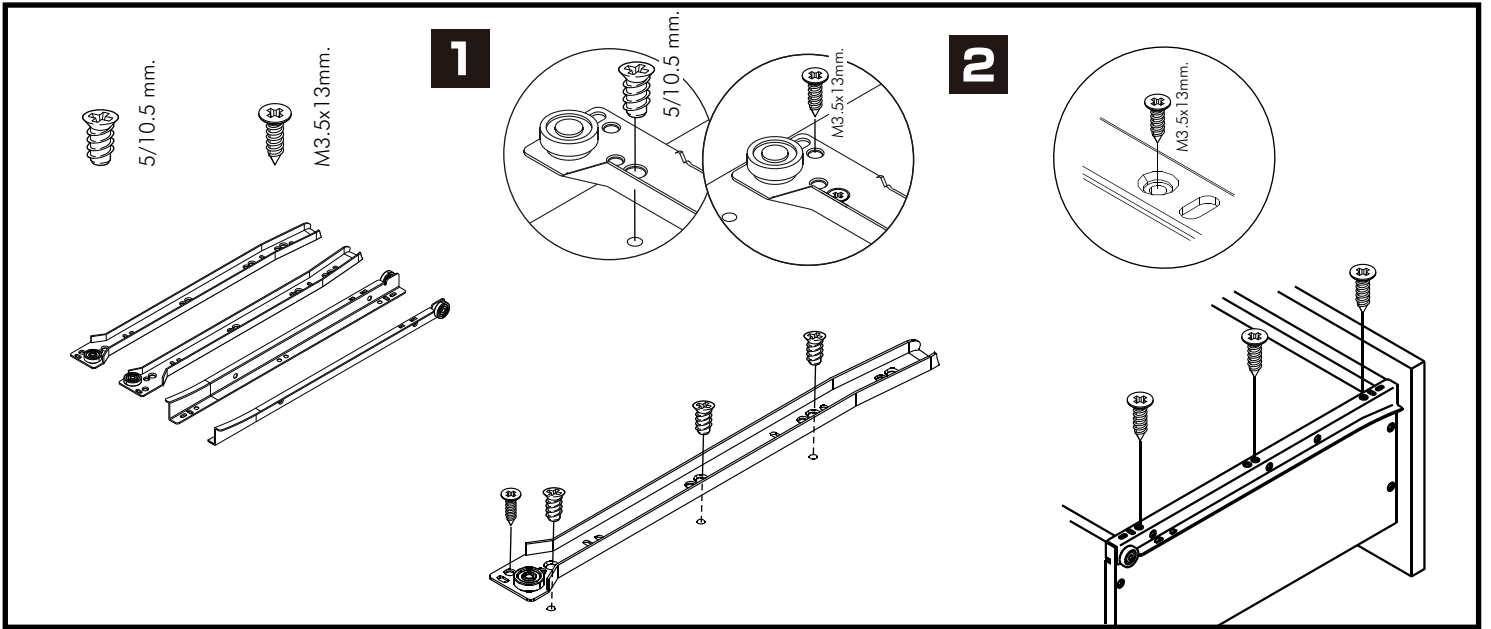
SKALAR

Wardrobe 3 drs

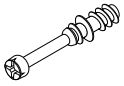


CONNECT SYSTEM





HARDWARE

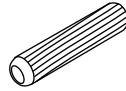


x 19



#16mm.

X 16



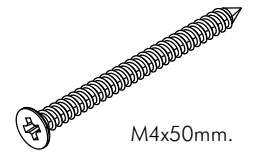
(8x35)

x 32



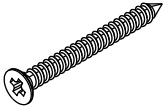
#19mm.

x 3



M4x50mm.

x 12

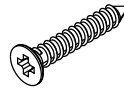


M4x40mm.

x 25



x 2

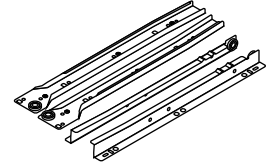


M4x25mm.

x 14



x 3



x 2SET



x 12



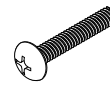
M3.5x13mm.

x 24

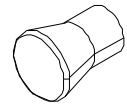


M6x23

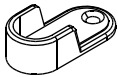
x 12



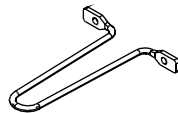
x 5



x 5



x 4

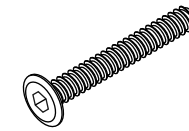


x 1



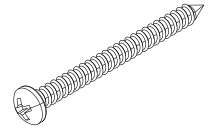
M4x16mm.

x 49



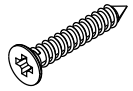
M6x45

x 2



M4x45mm.

x 3



M4x25mm.(BLACK)

x 6

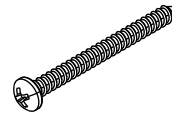


x 10



M4x16mm.

x 40



M4x35mm.

x 3

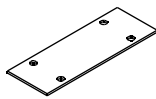


M3.5x20mm.

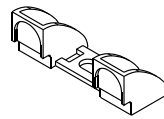
x 8



x 1



x 2



x 2



#M3.5x16(P)

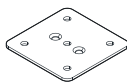
x 6



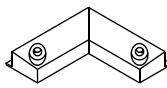
x 6



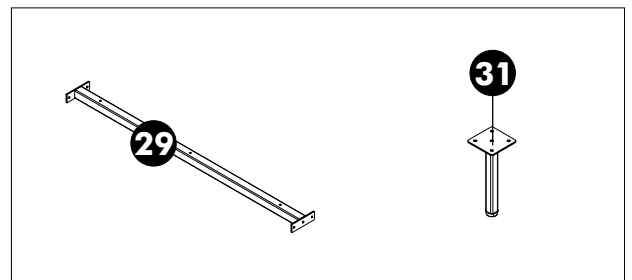
x 2



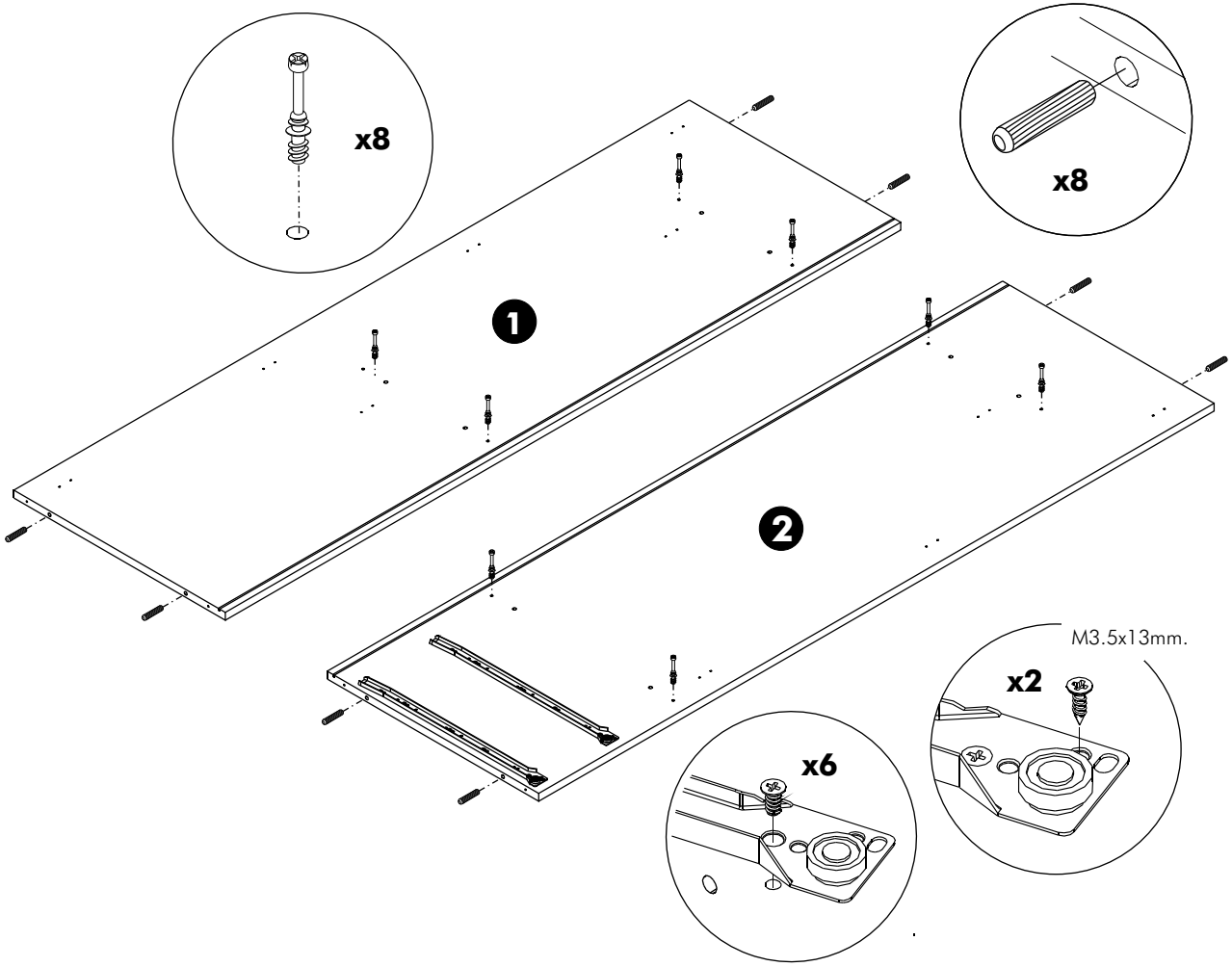
x 4



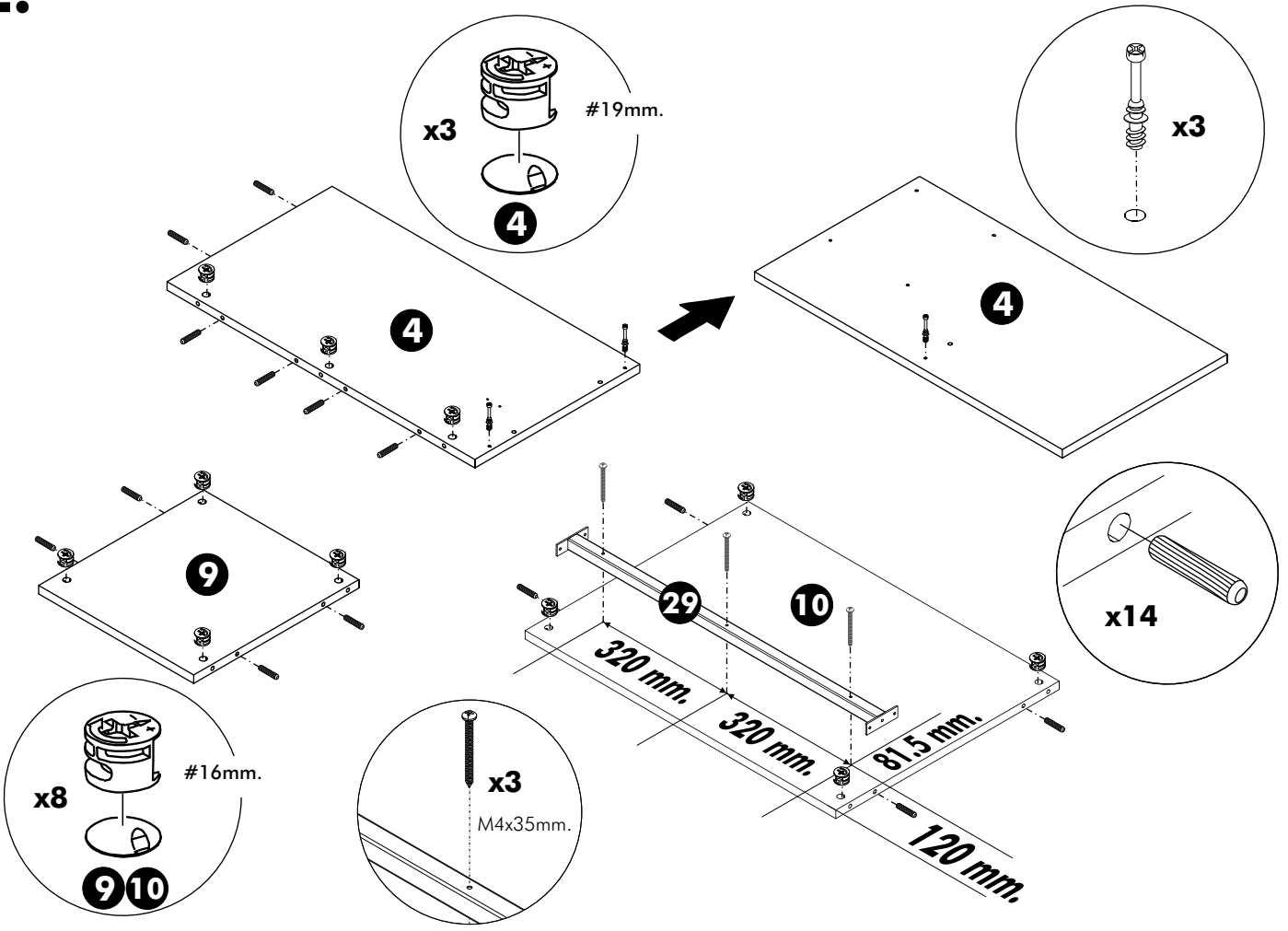
x 4



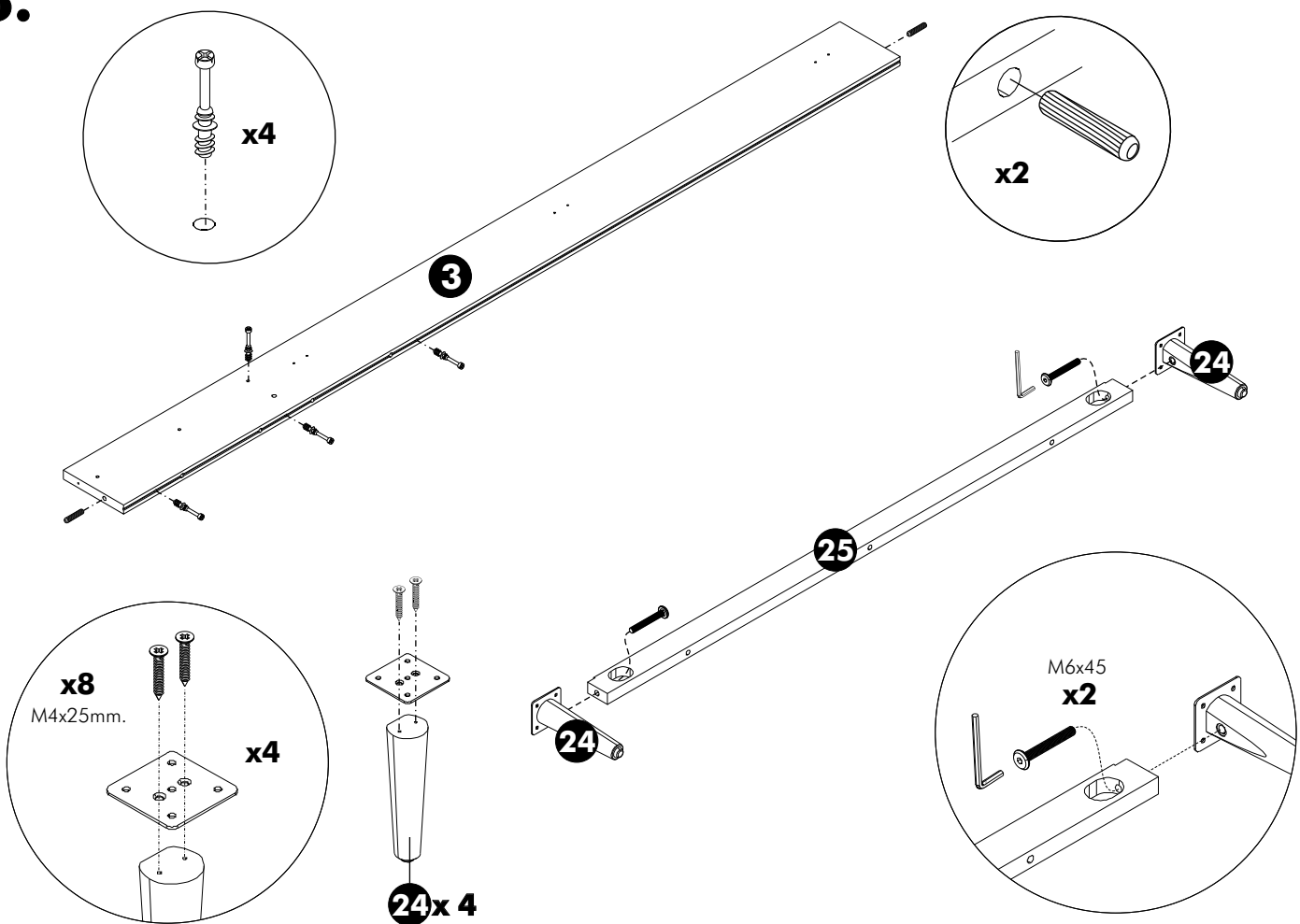
1.



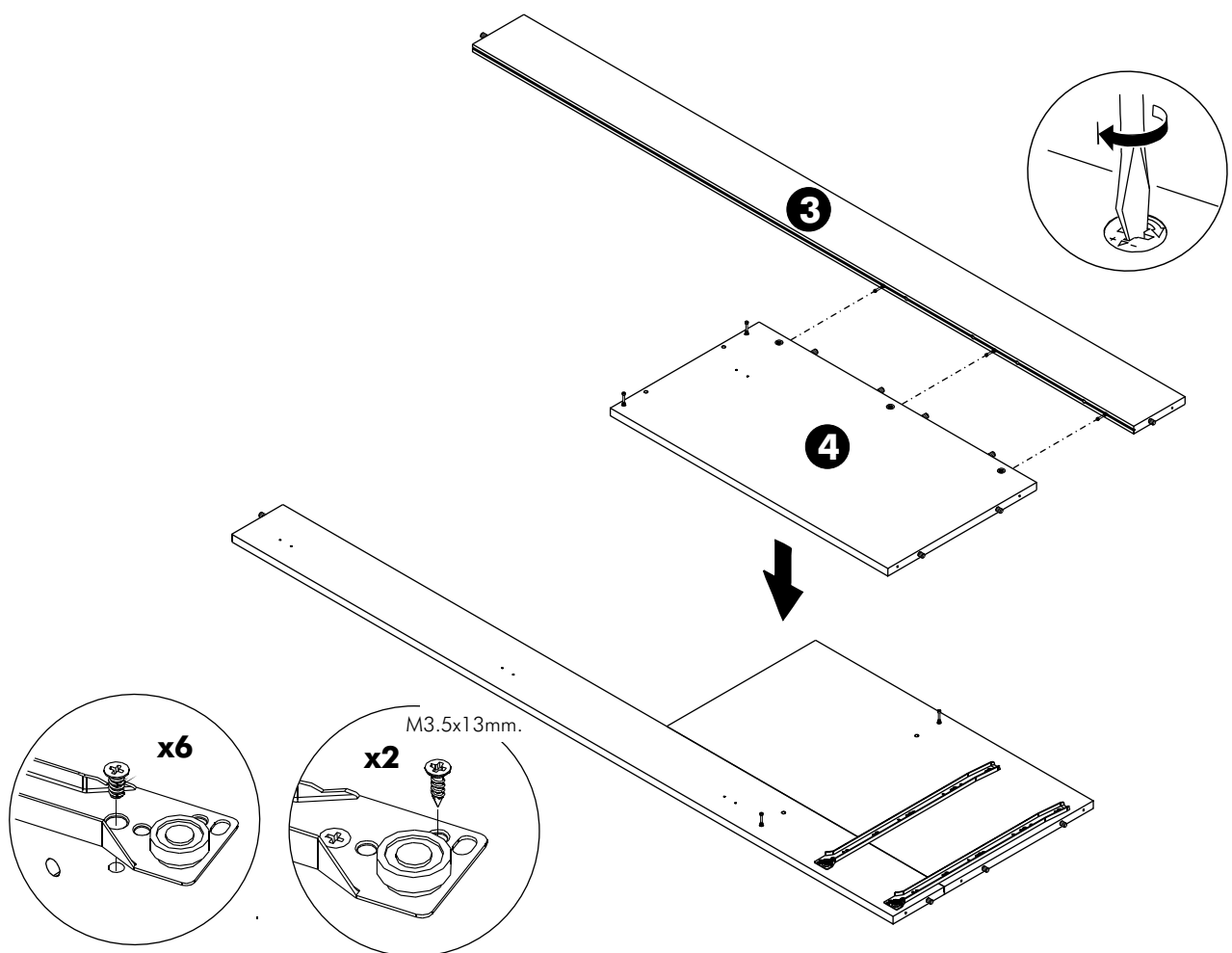
2.



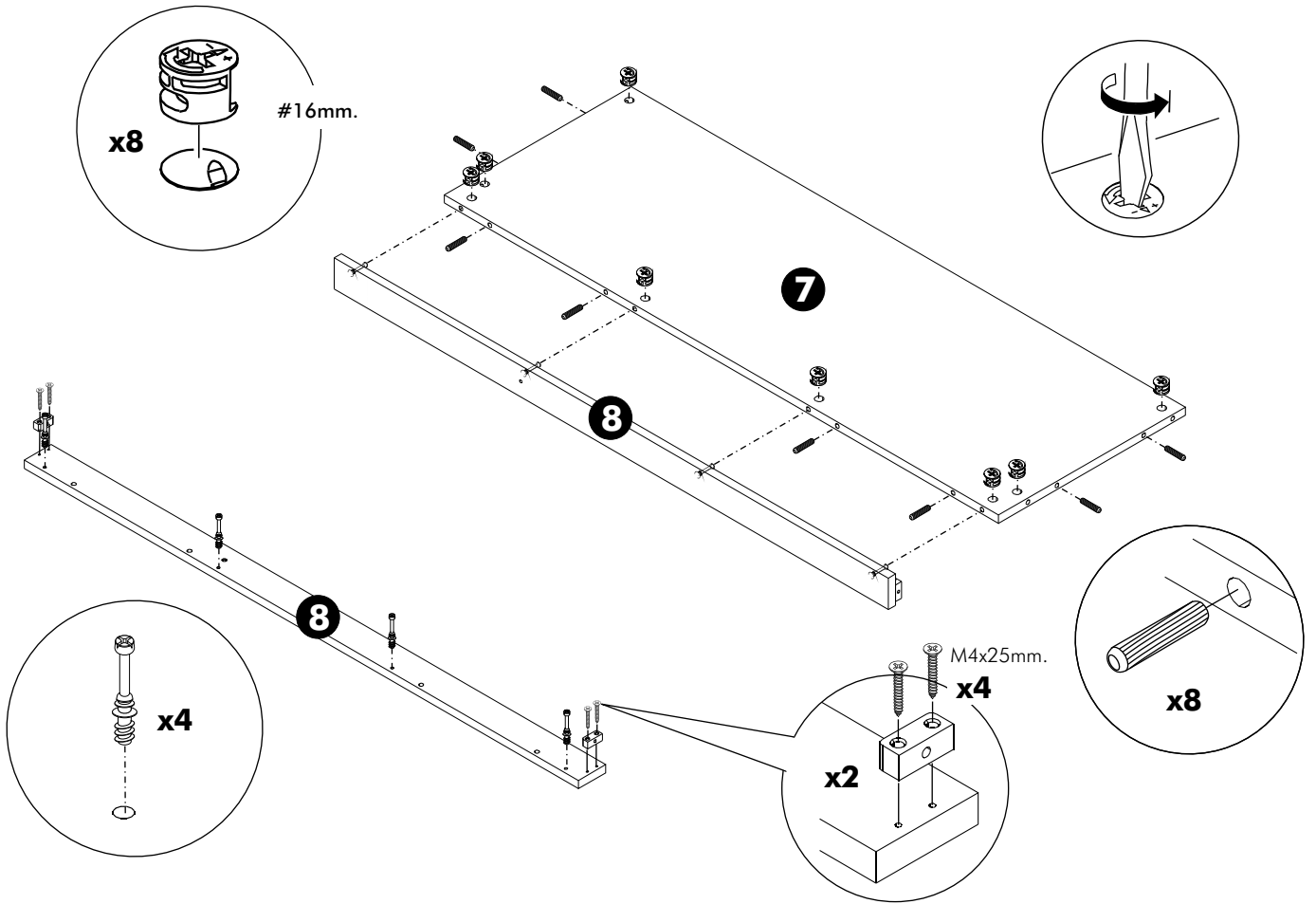
3.



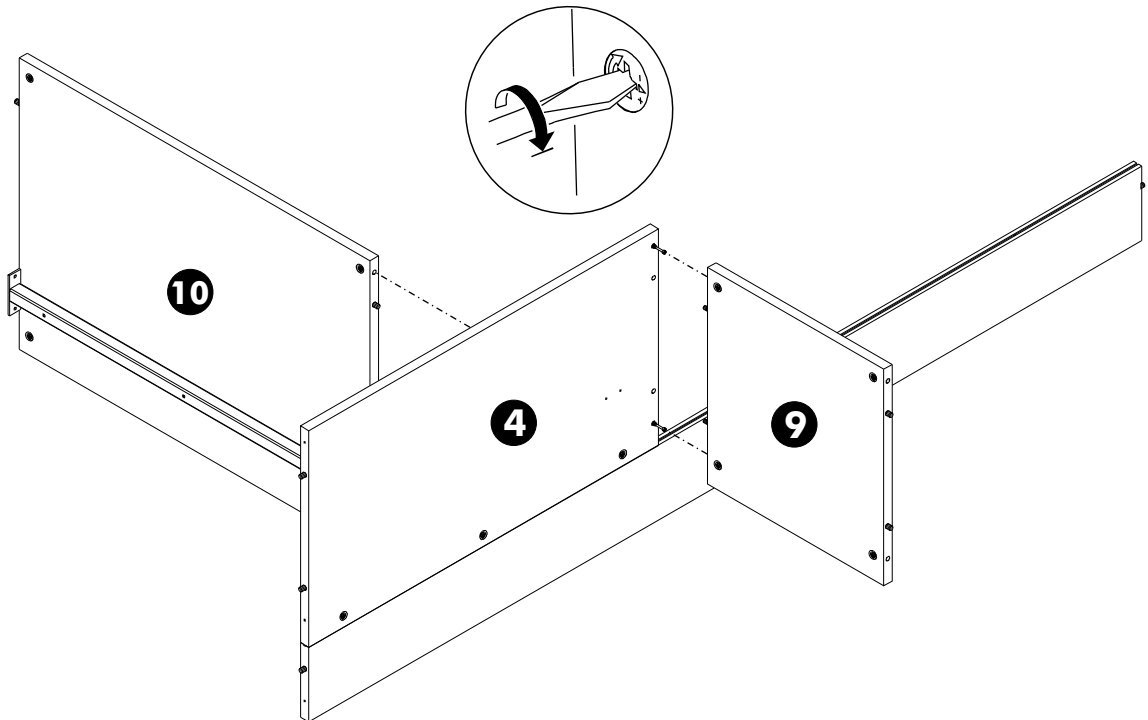
4.



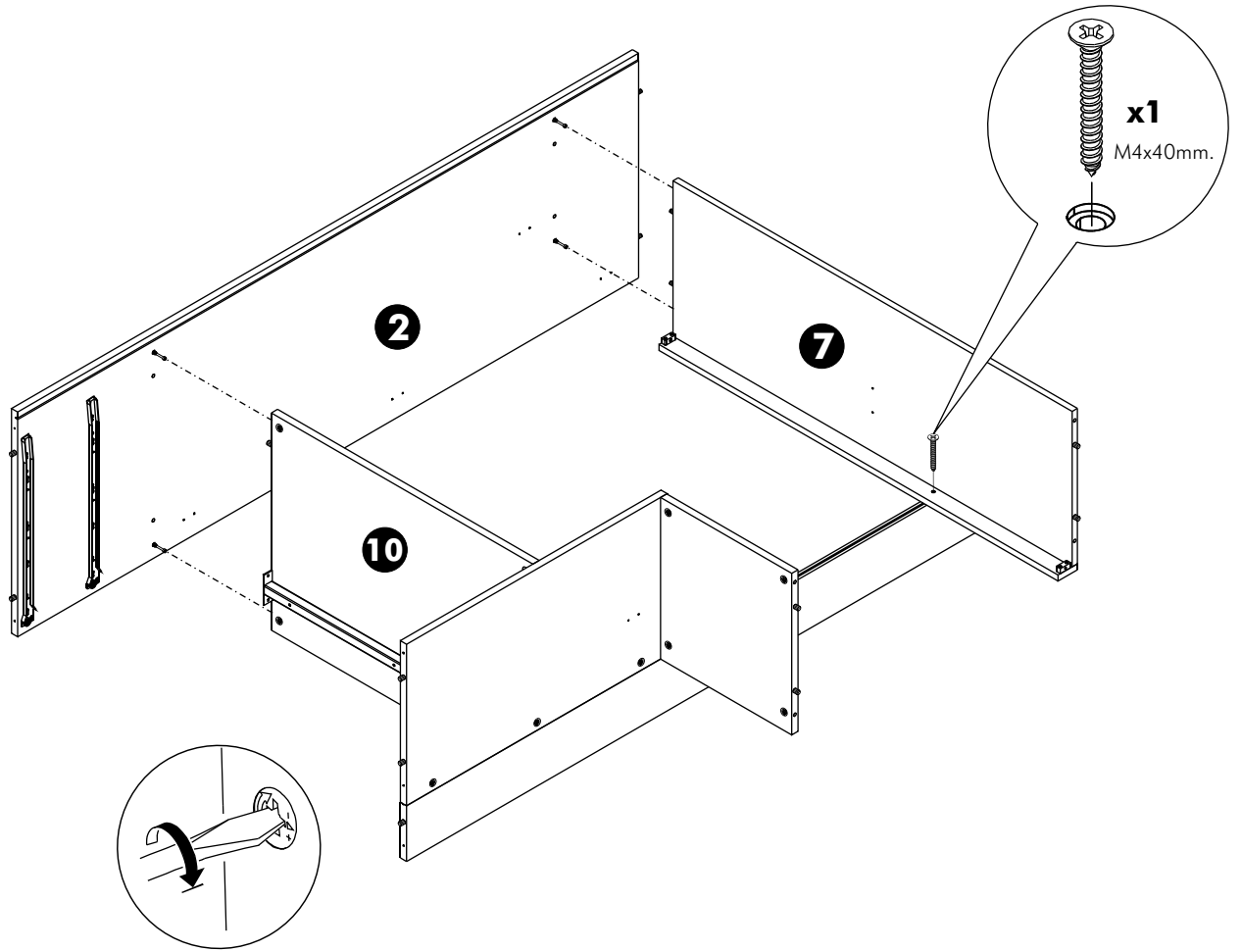
5.



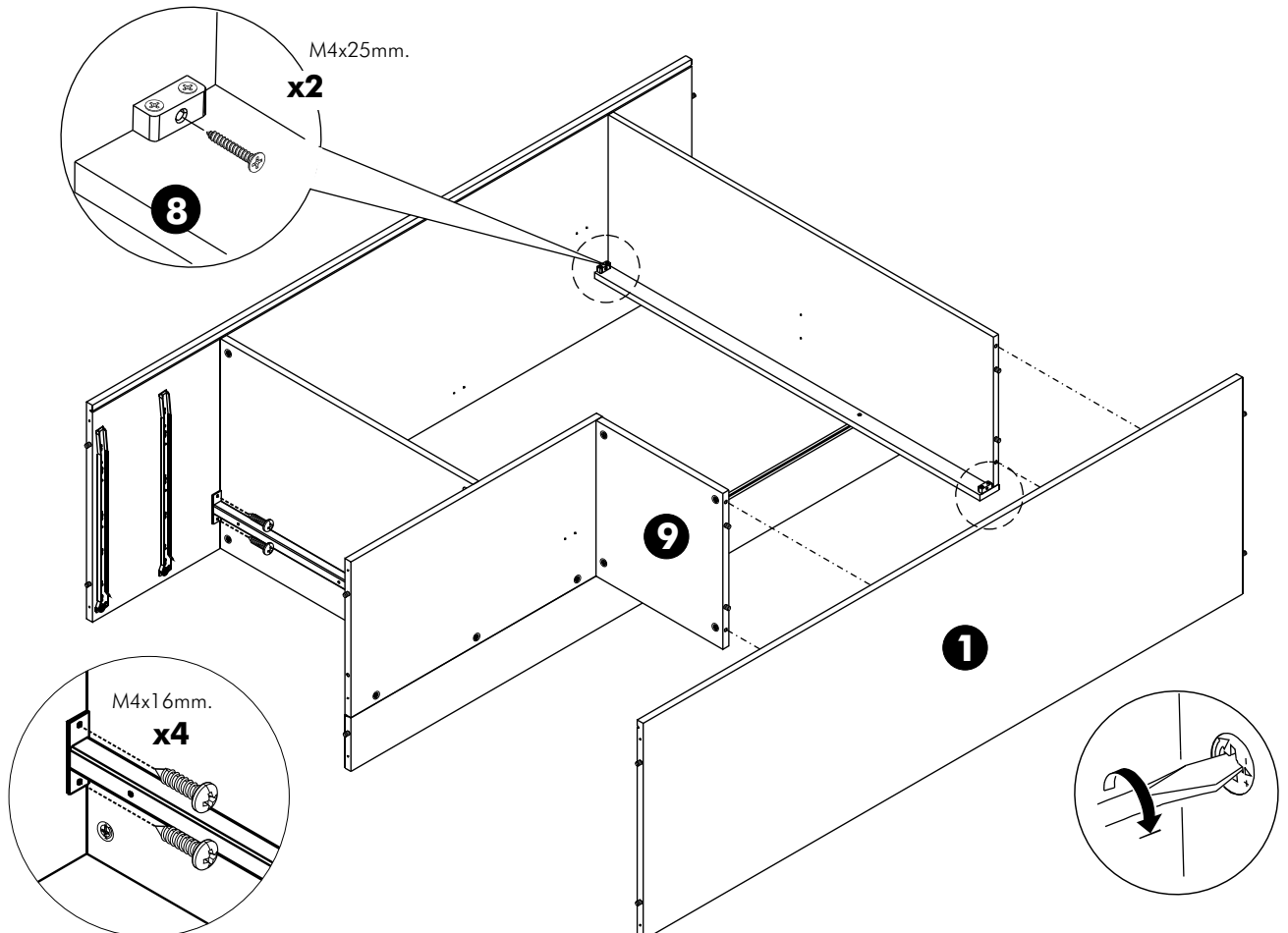
6.



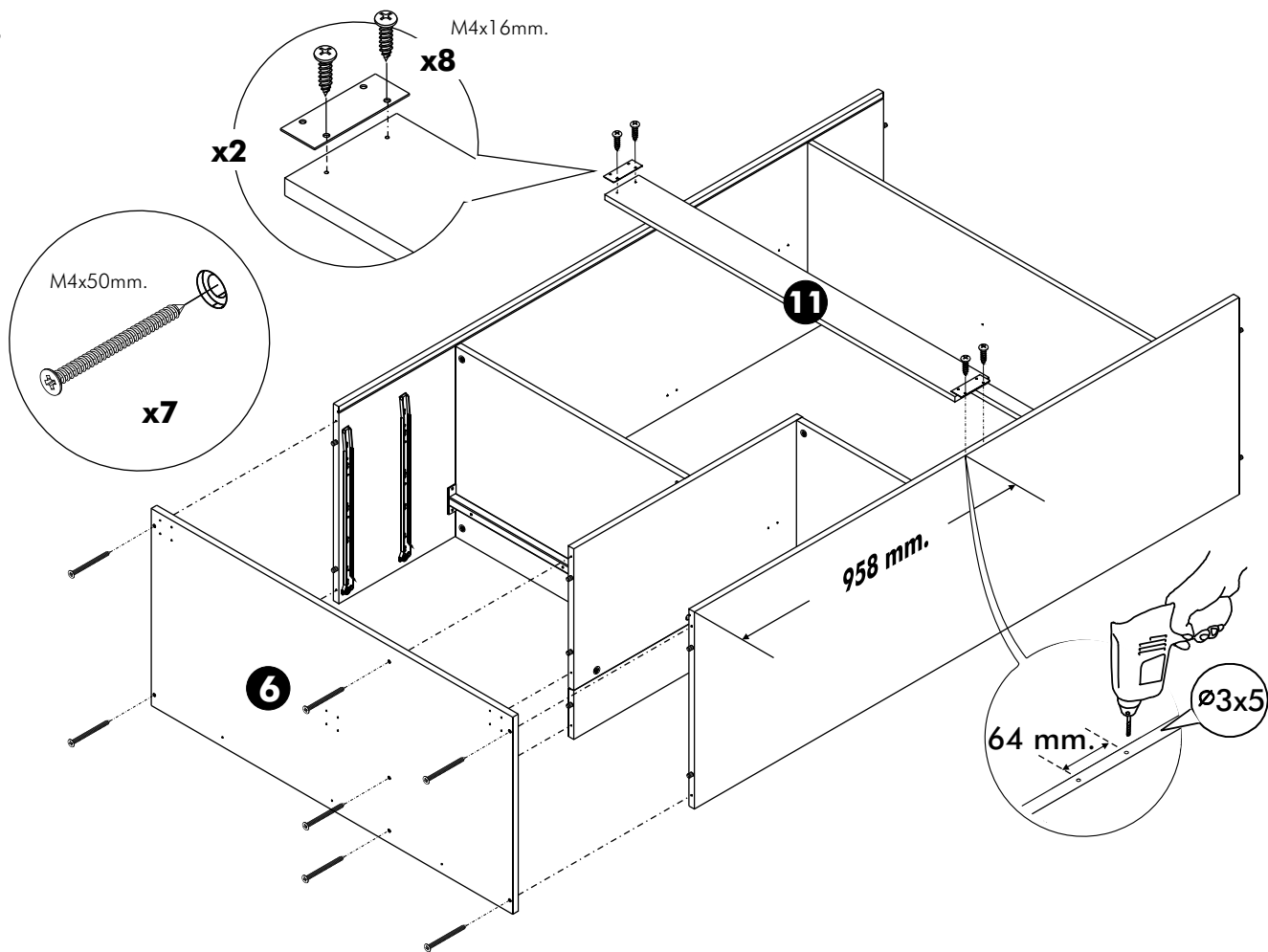
7.



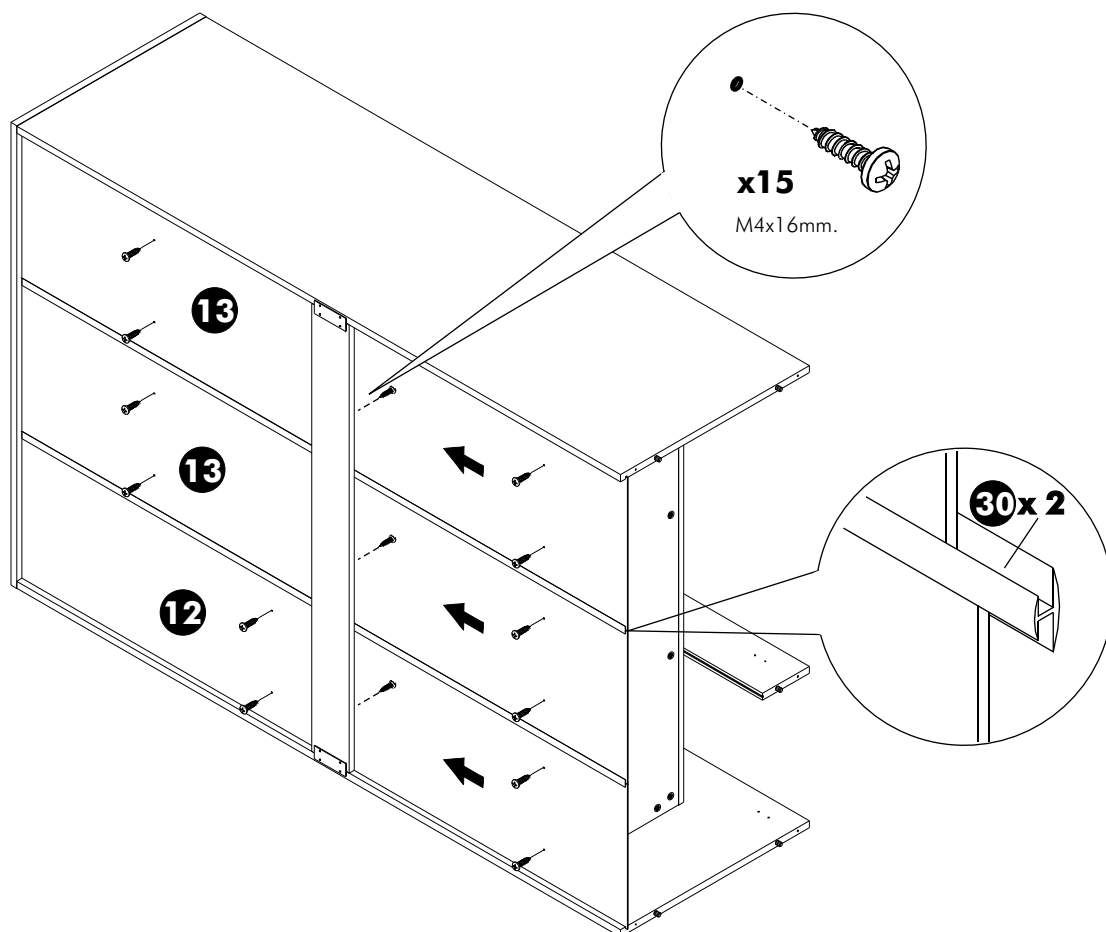
8.



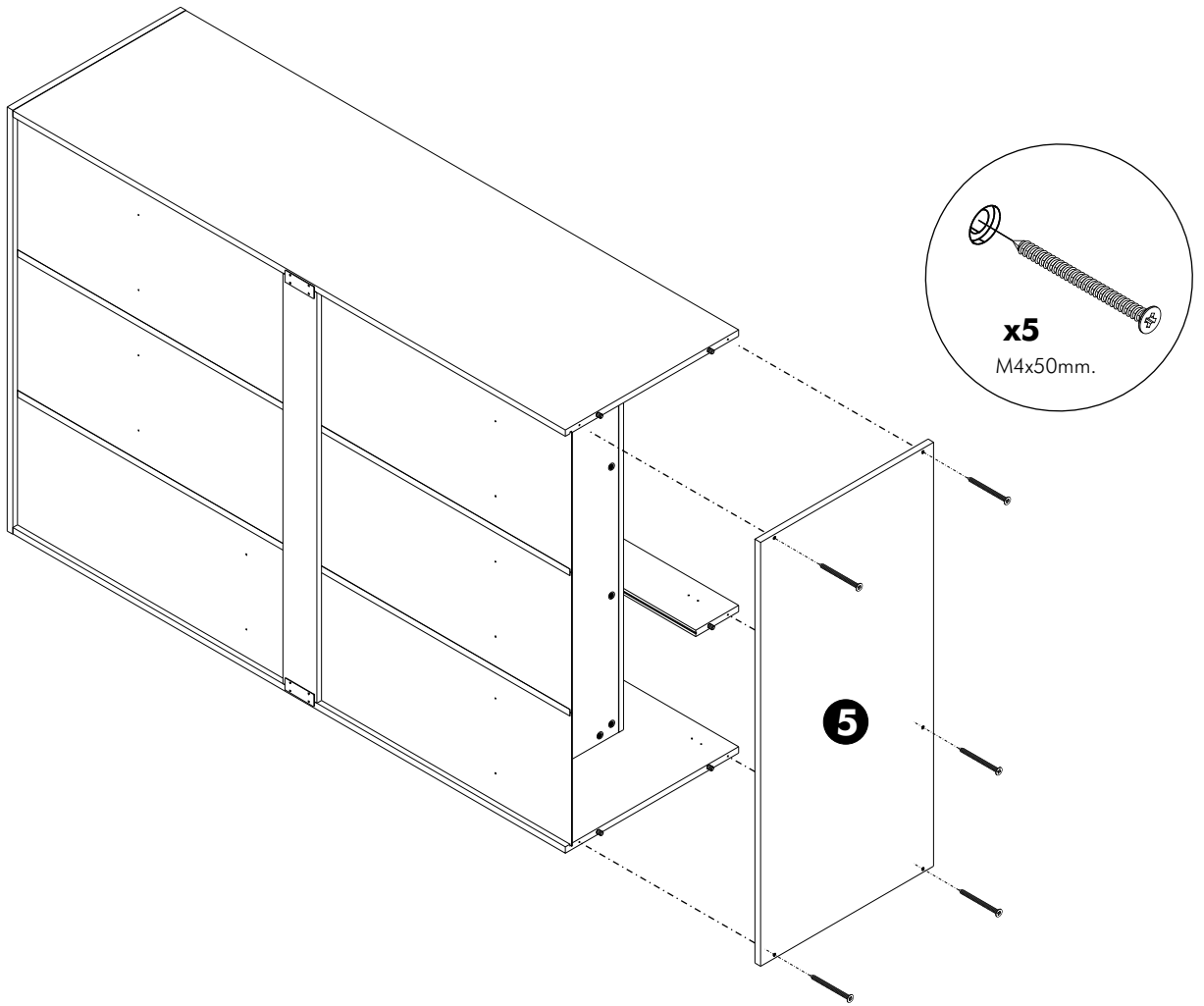
9.



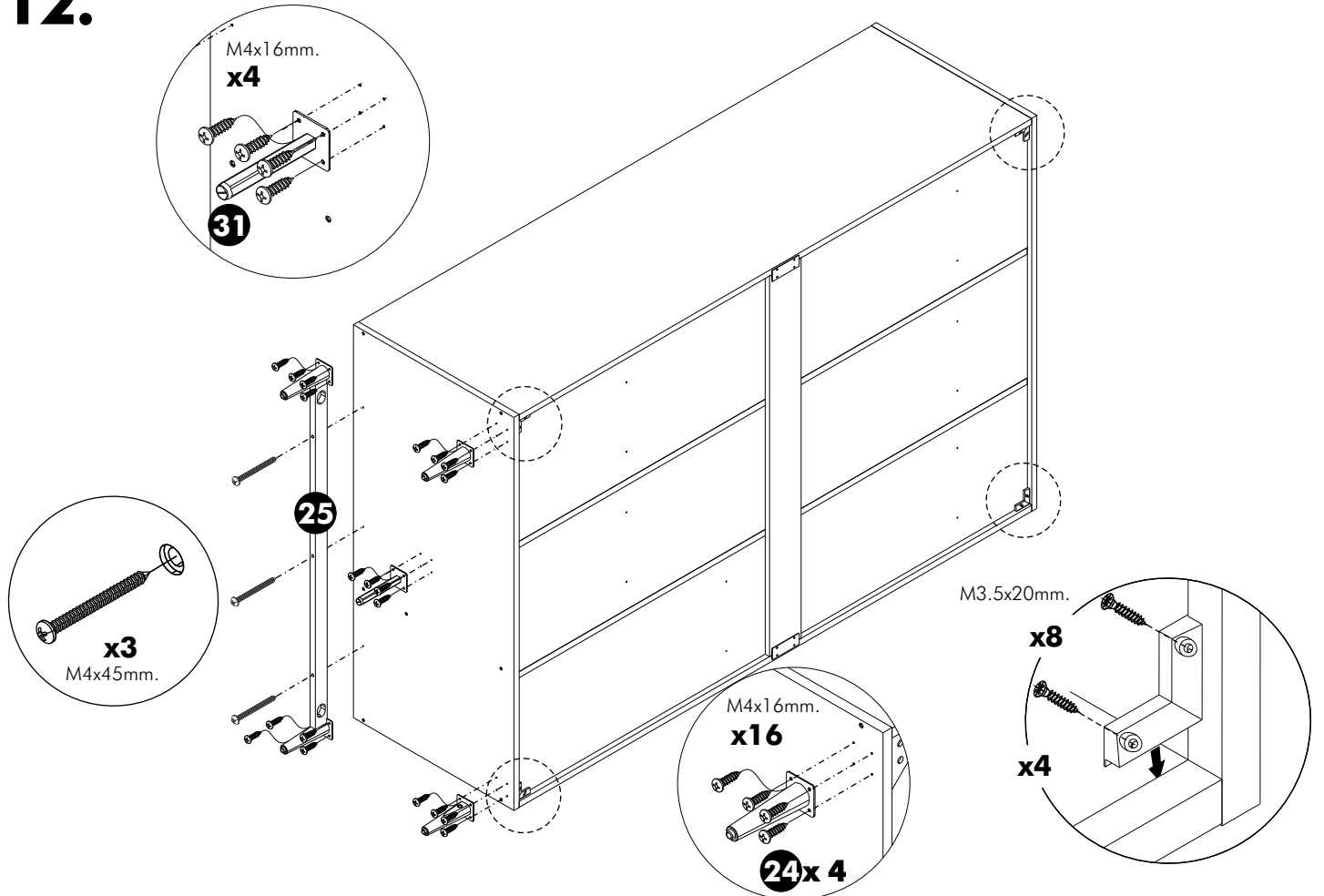
10.

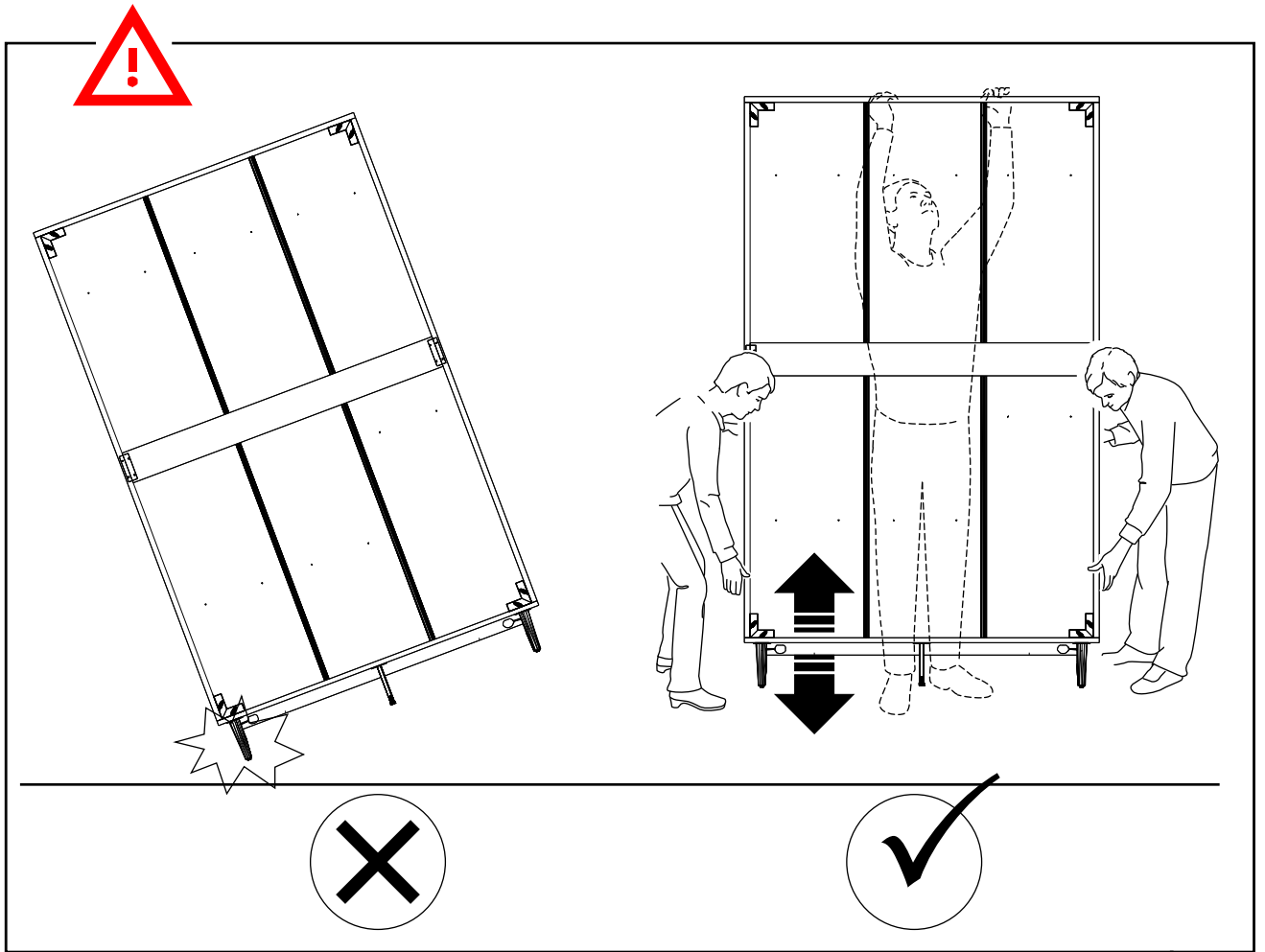


11.

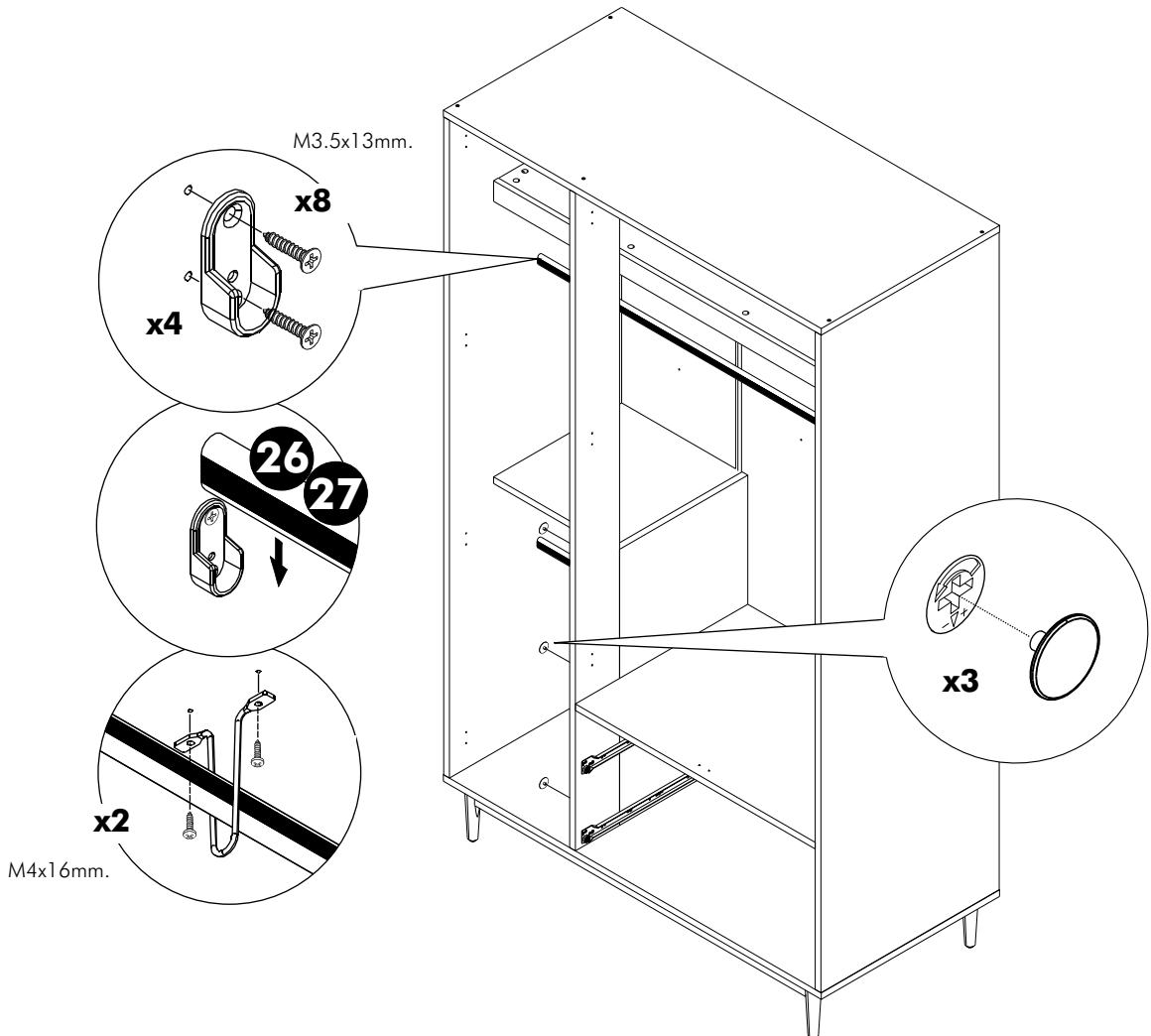


12.

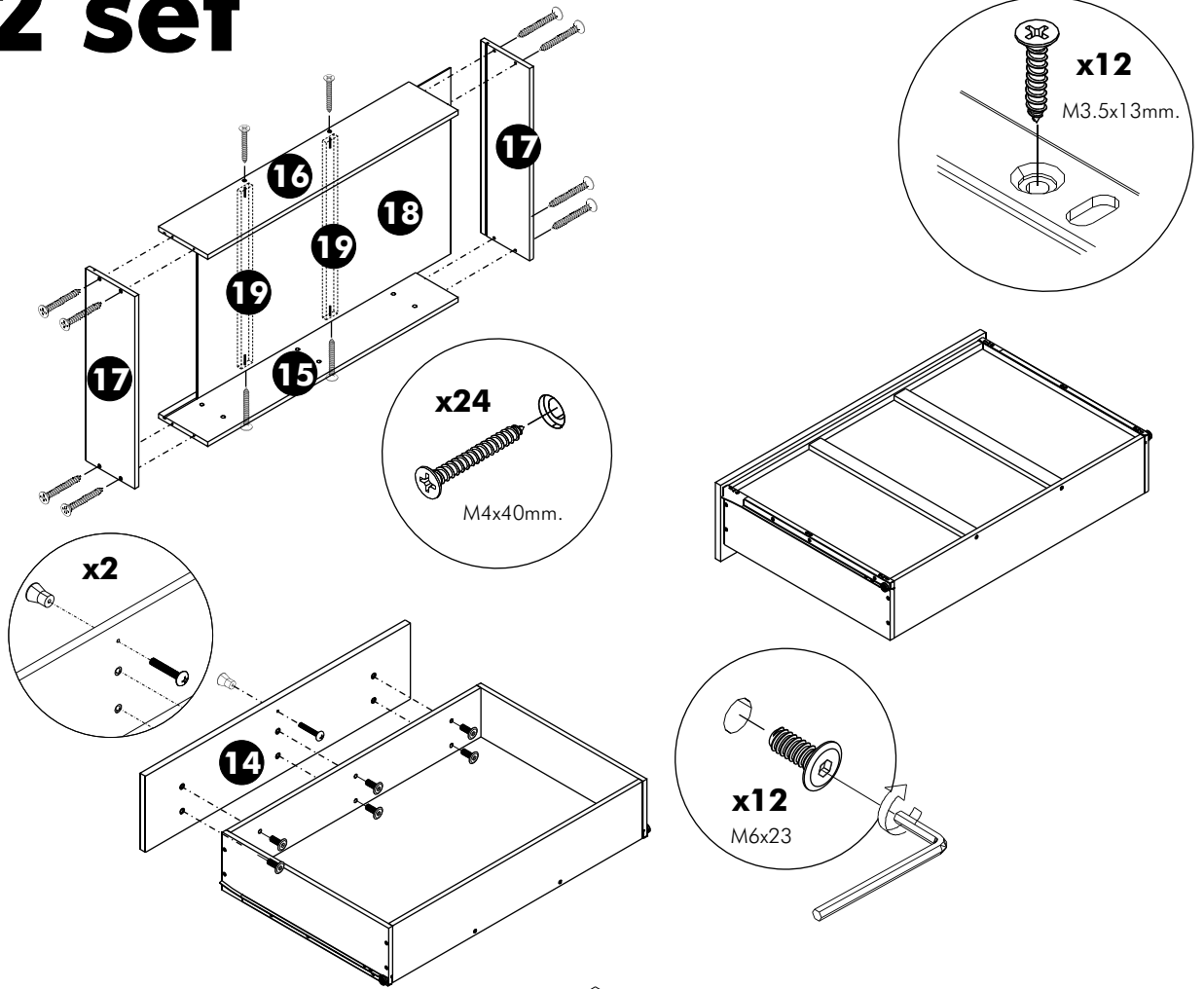




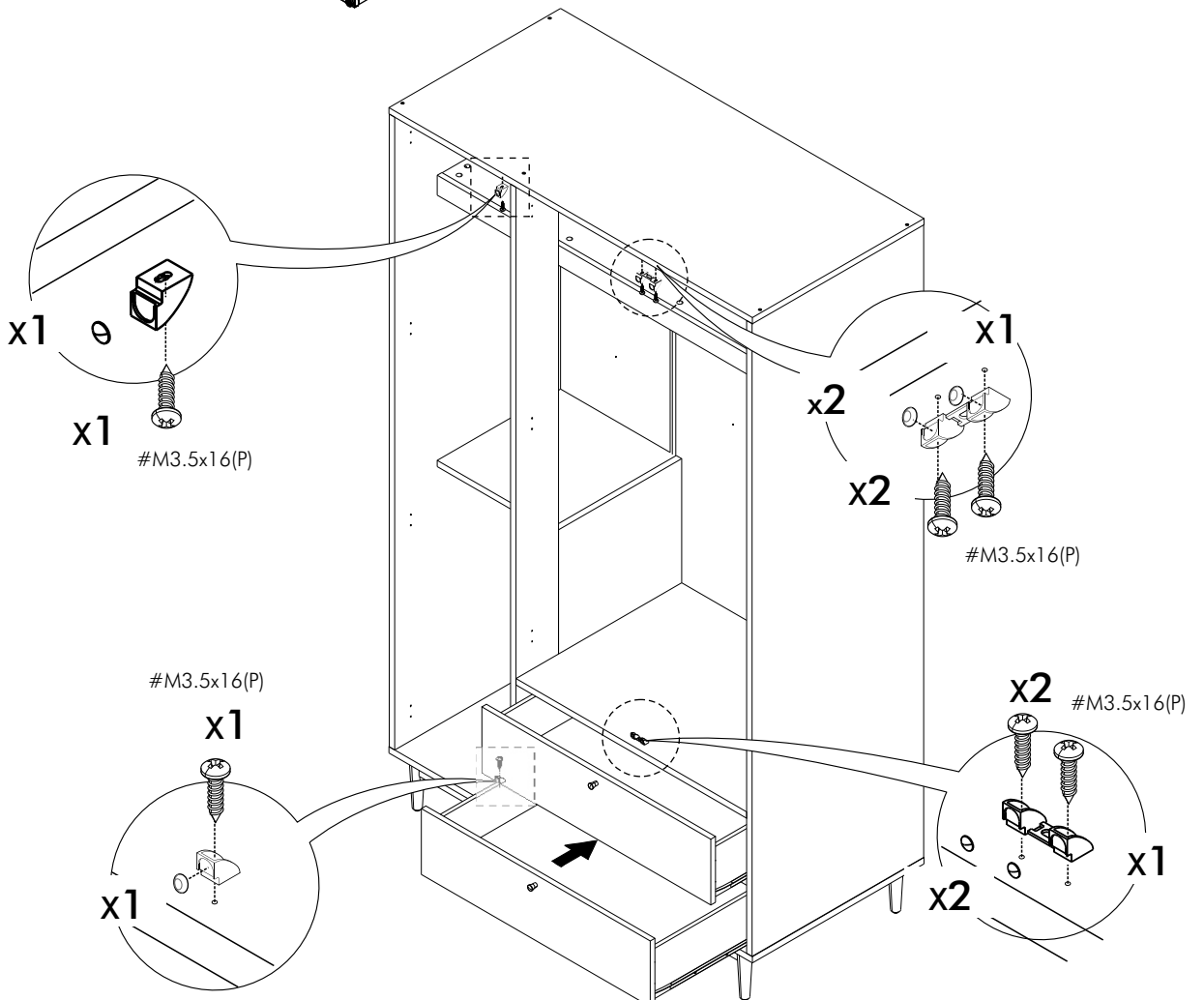
13.



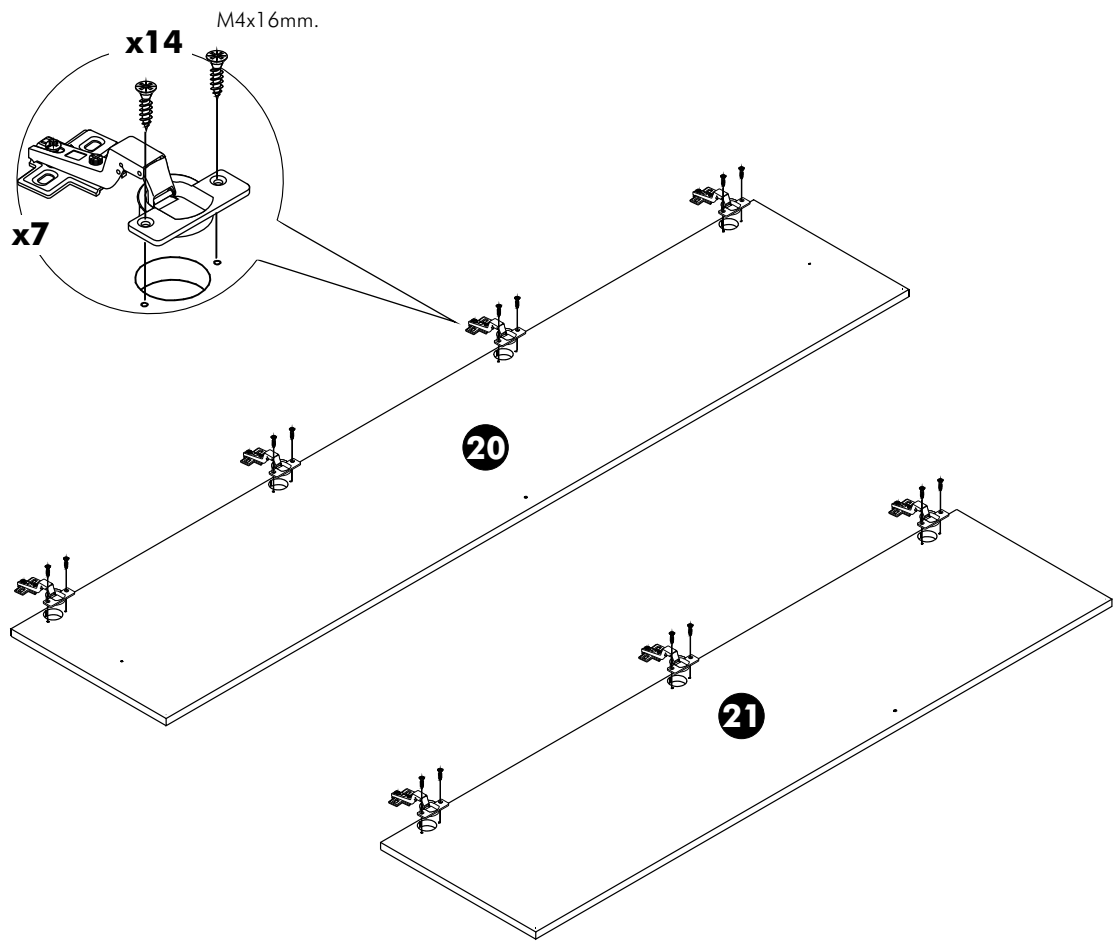
14. 2 set



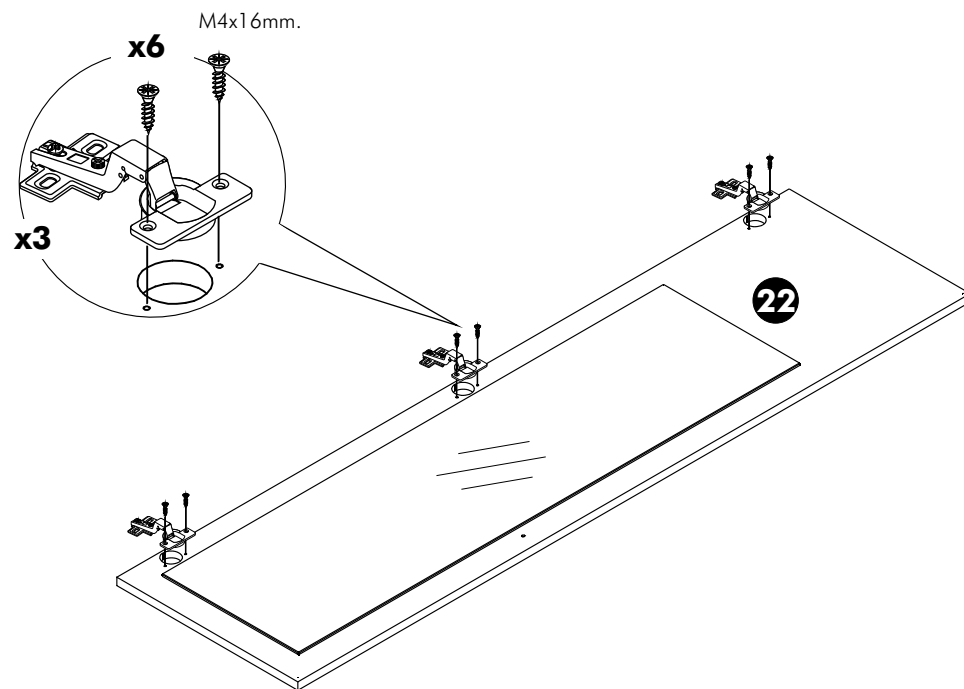
15.



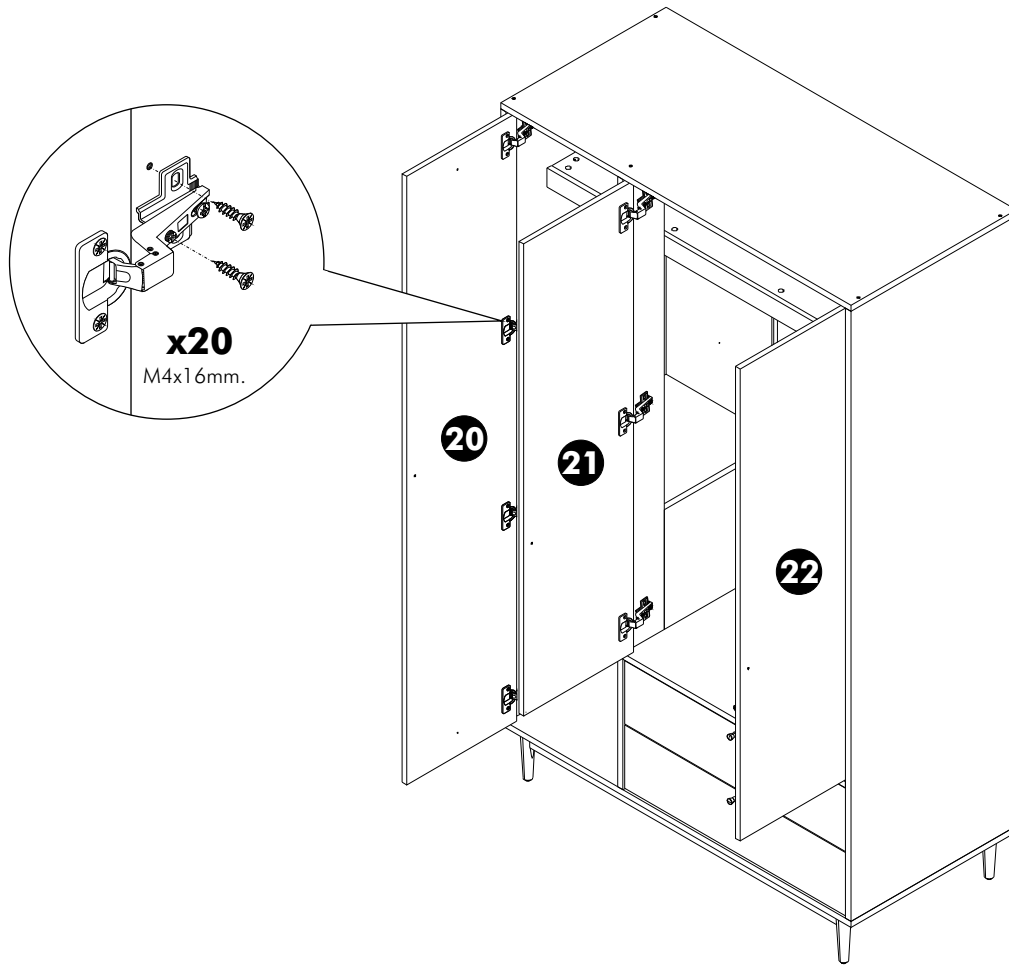
16.



17.



18.



19.

