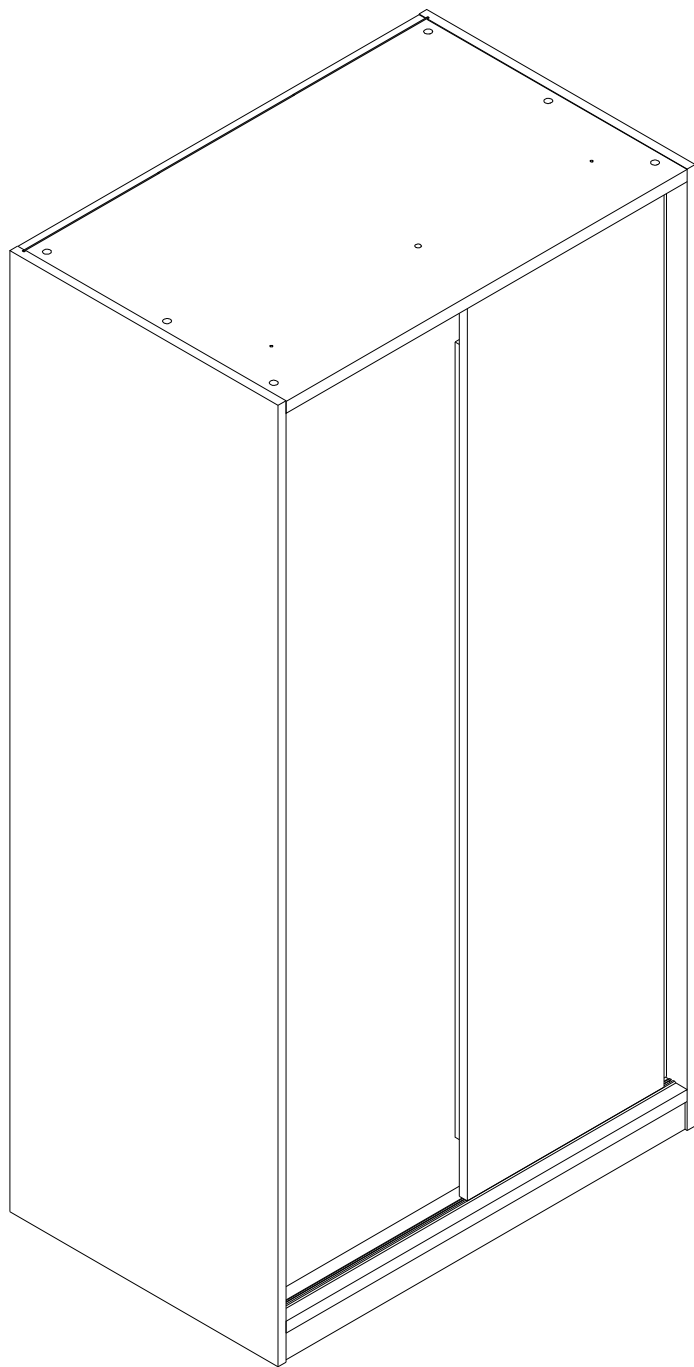


URBANO

Wardrobe sliding 100 cm



CONNECT SYSTEM

1

3

2

(Connecting bolts)

WHEN FITTING CAMS
 ENSURE STARTING POSITION IS CORRECT
 BEFORE YOU INSERT CONNECTING BOLT
 TURN CLOCKWISE UNTIL SECURE

↑
CORRECT

WRONG

WRONG

1 Pc.

2 Pcs.

3 Pcs.

4 Pcs.

i

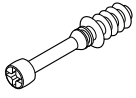
☹️

❌

😊

☑️

HARDWARE

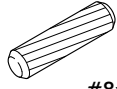


X 23



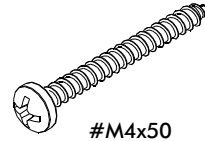
#16mm.

X 23



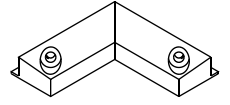
#8x35

X 40



#M4x50

X 12



X 2



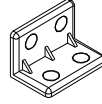
#M4x16

X 74

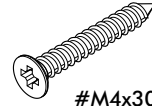


#M4x16

X 38



X 11

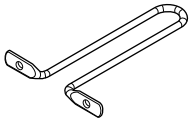


#M4x30

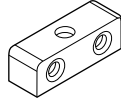
X 20



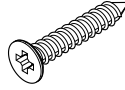
X 4



X 1



X 4

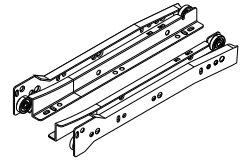


#M4x25

X 26



X 6



X 2SET



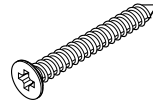
#GAL5/10.5 mm.

X 12



#M3.5x13

X 24



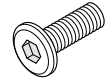
#M4x40

X 20



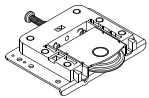
Ø11mm.

X 2



#TFL4 M6x23

X 8



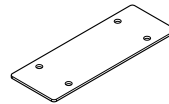
X 4



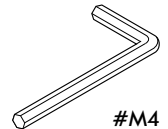
X 4



X 1



X 2



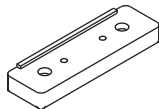
#M4

X 1



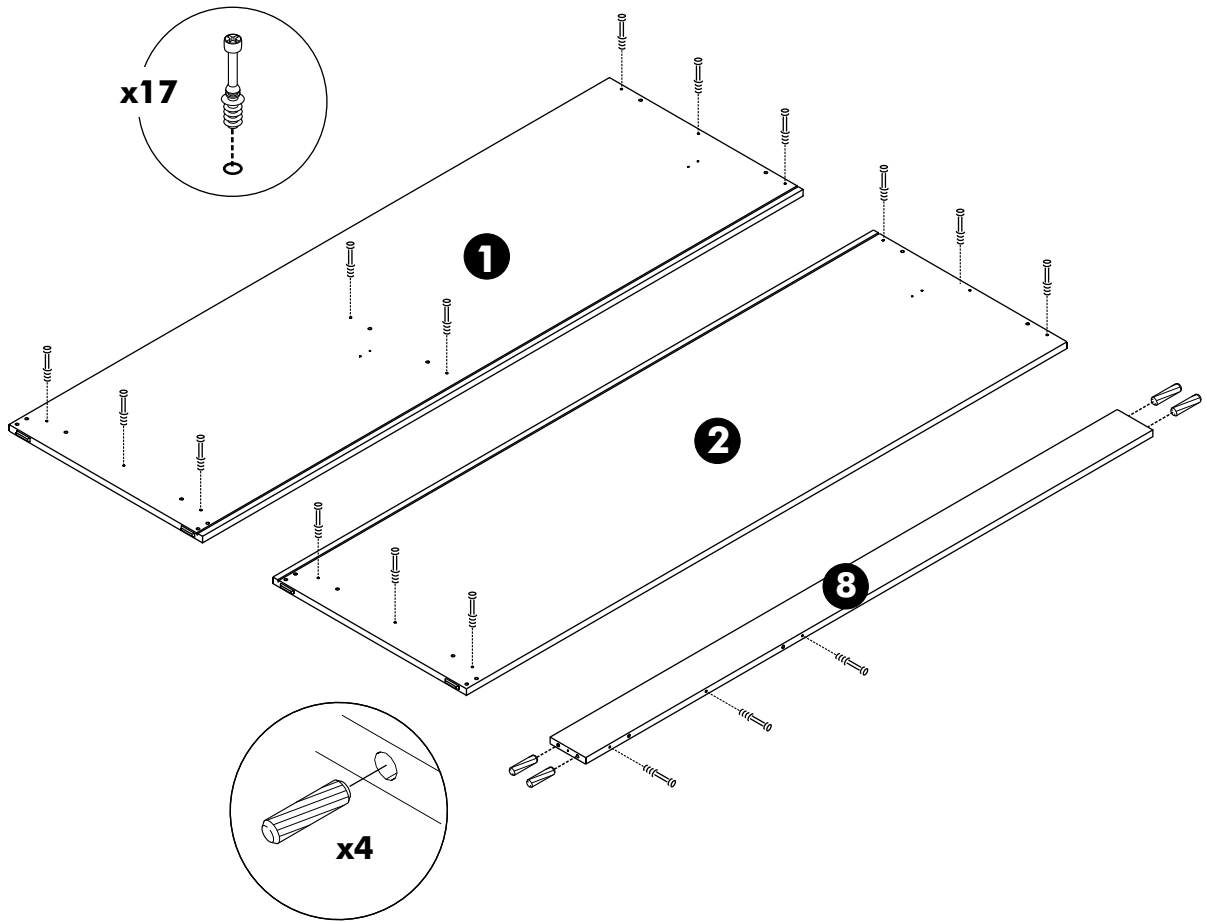
#M3.5x20(F)

X 4

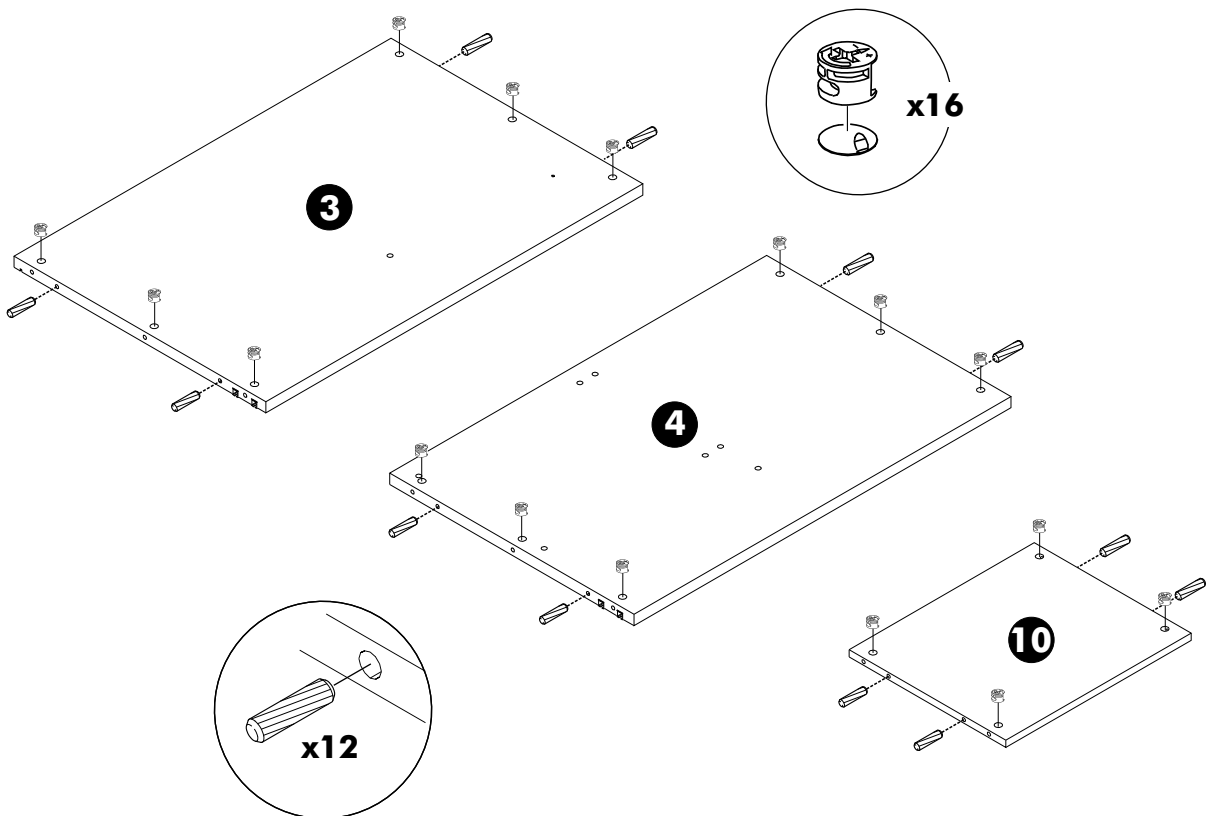


X 11

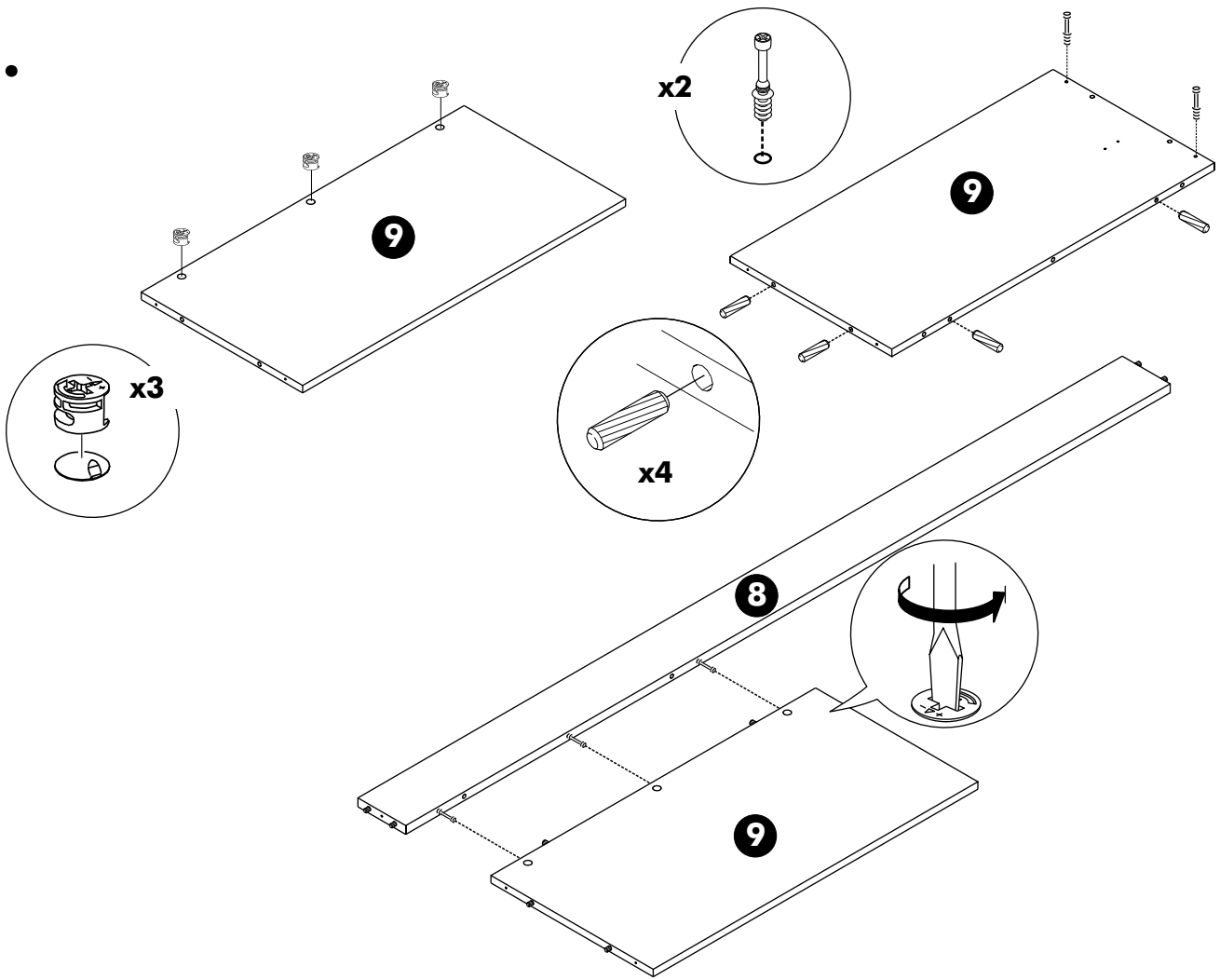
1.



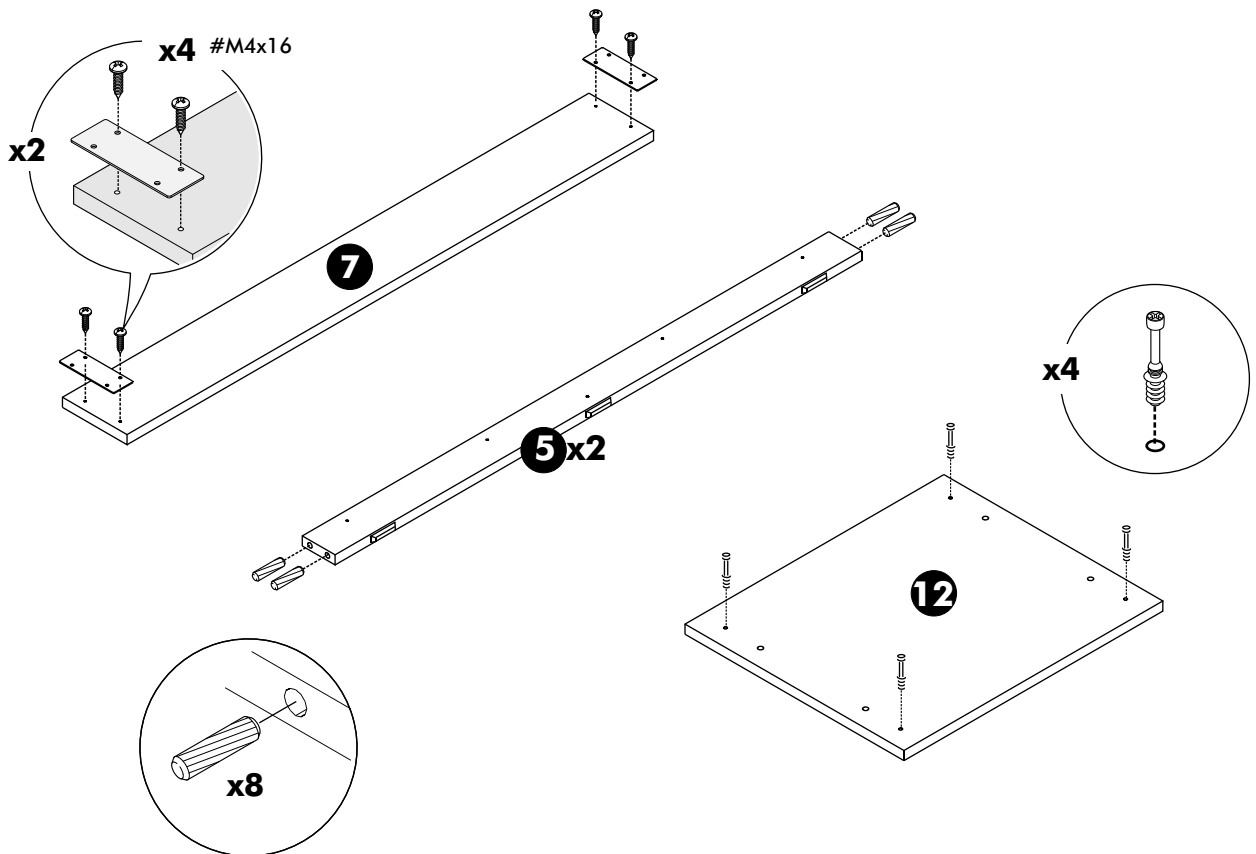
2.



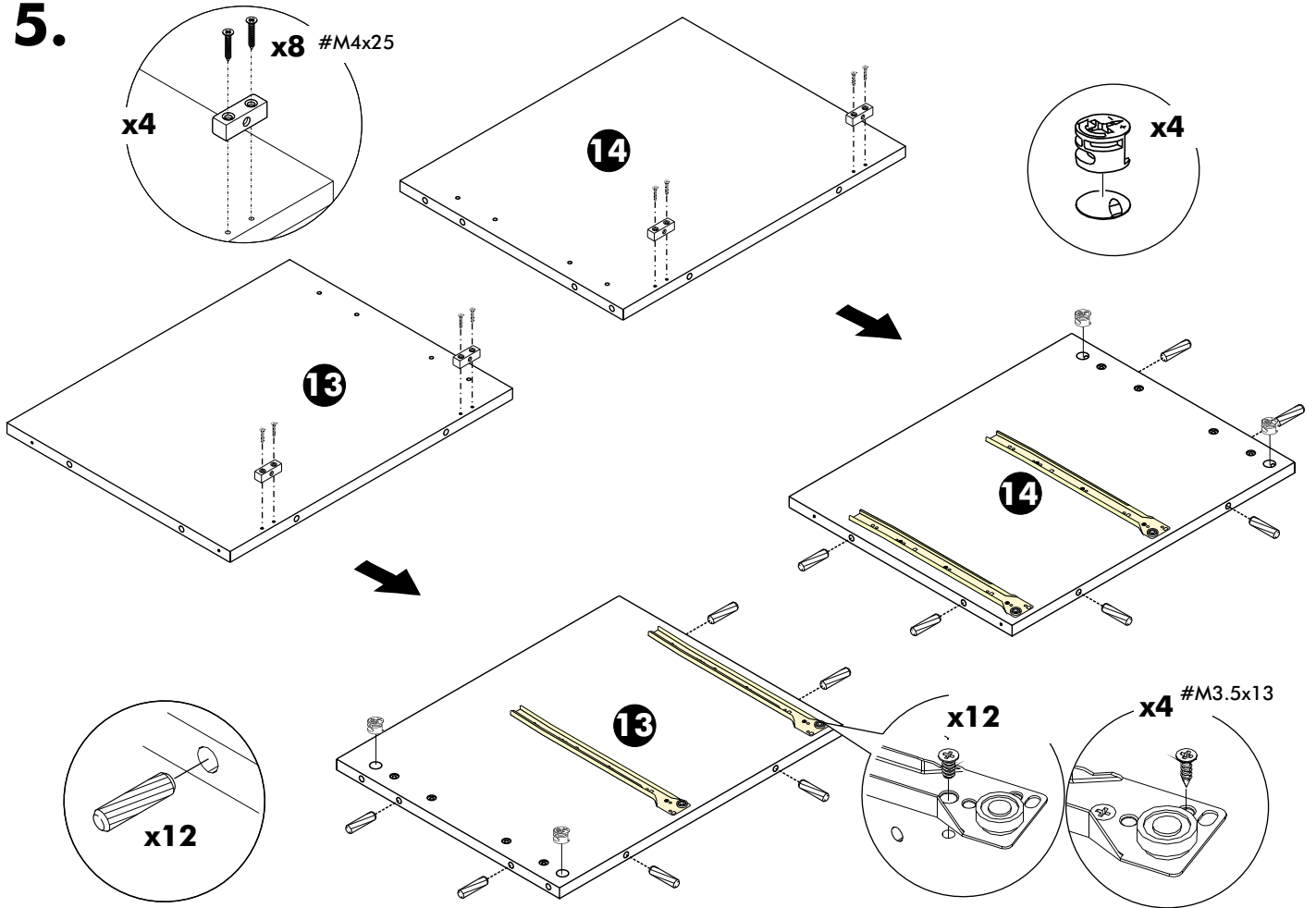
3.



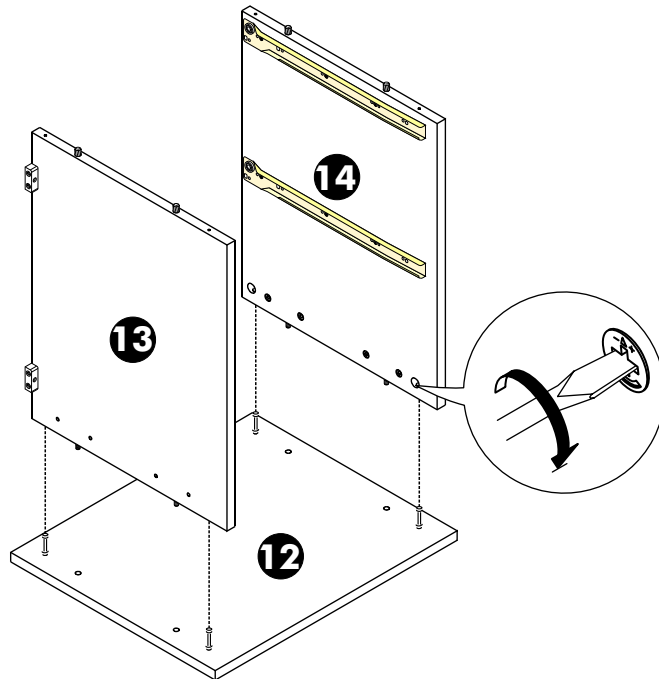
4.



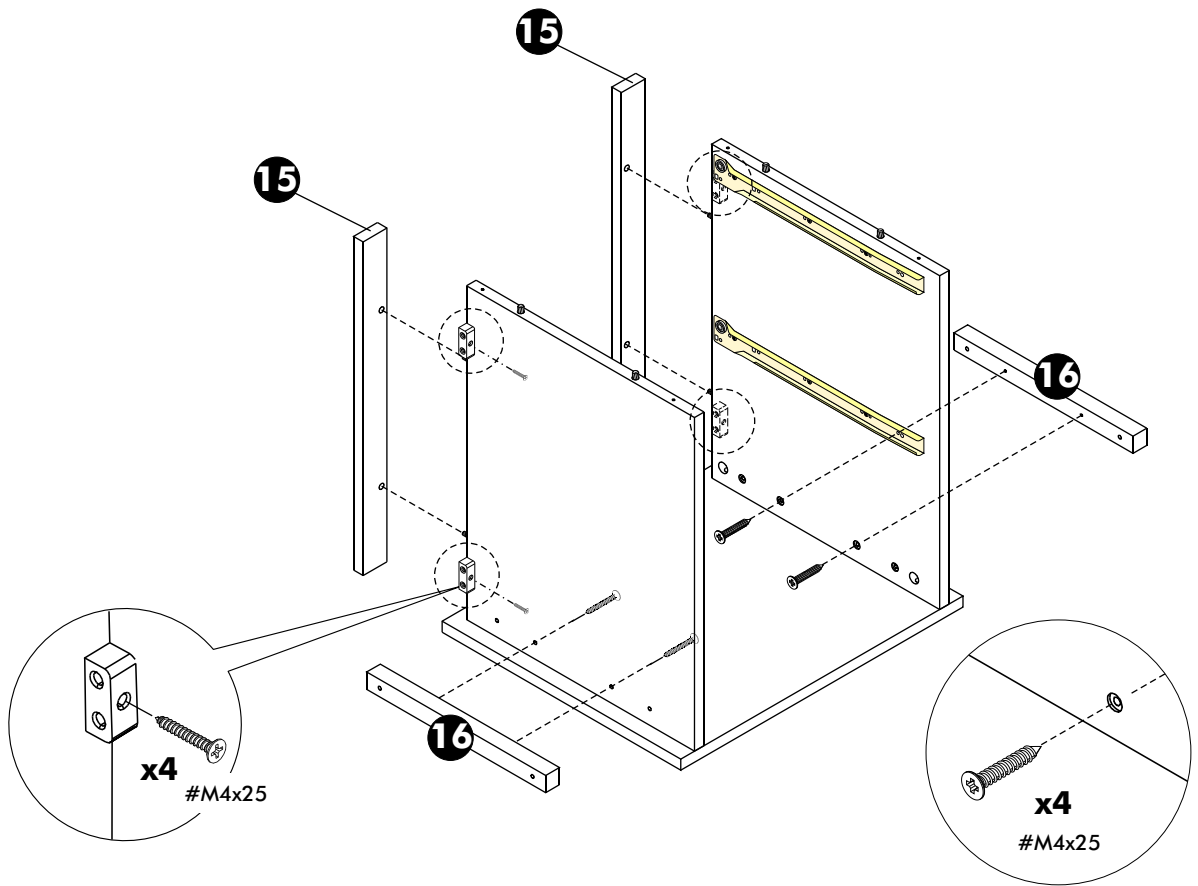
5.



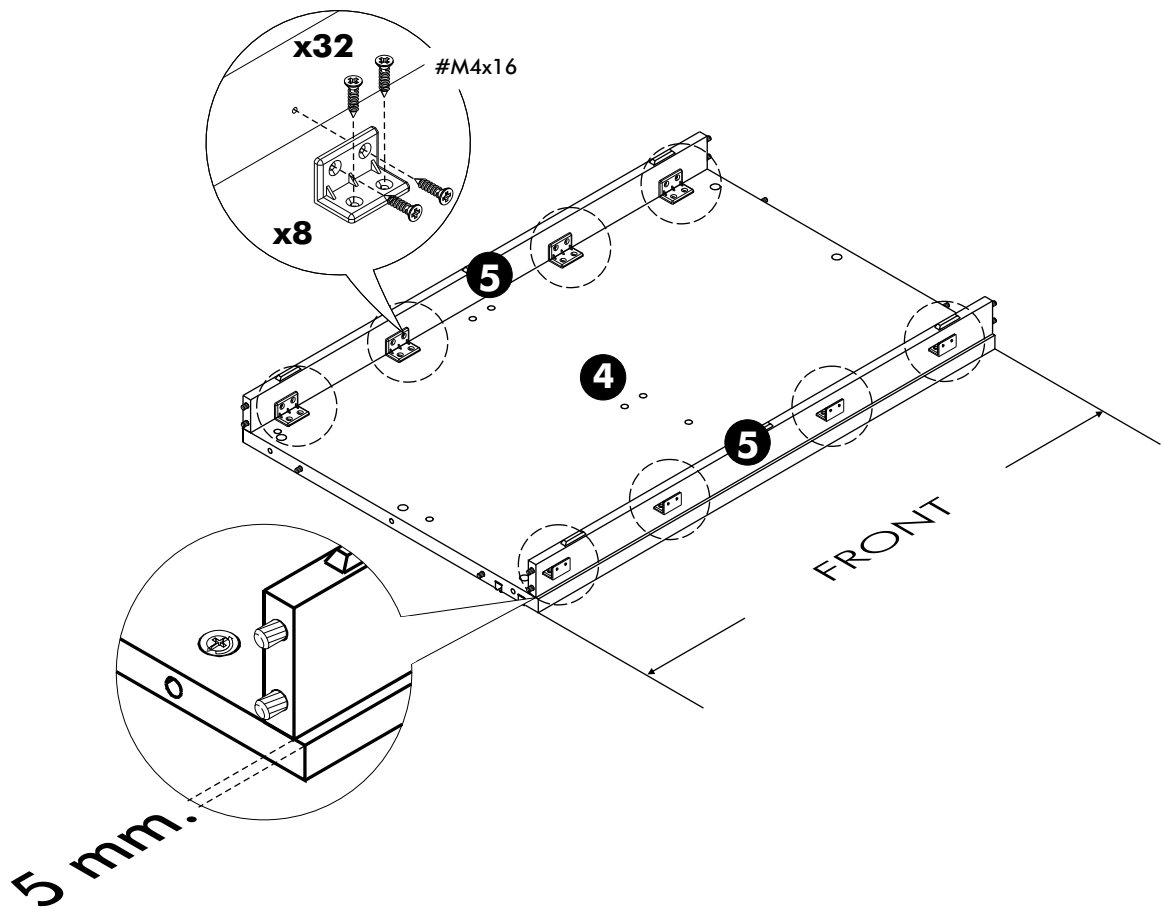
6.



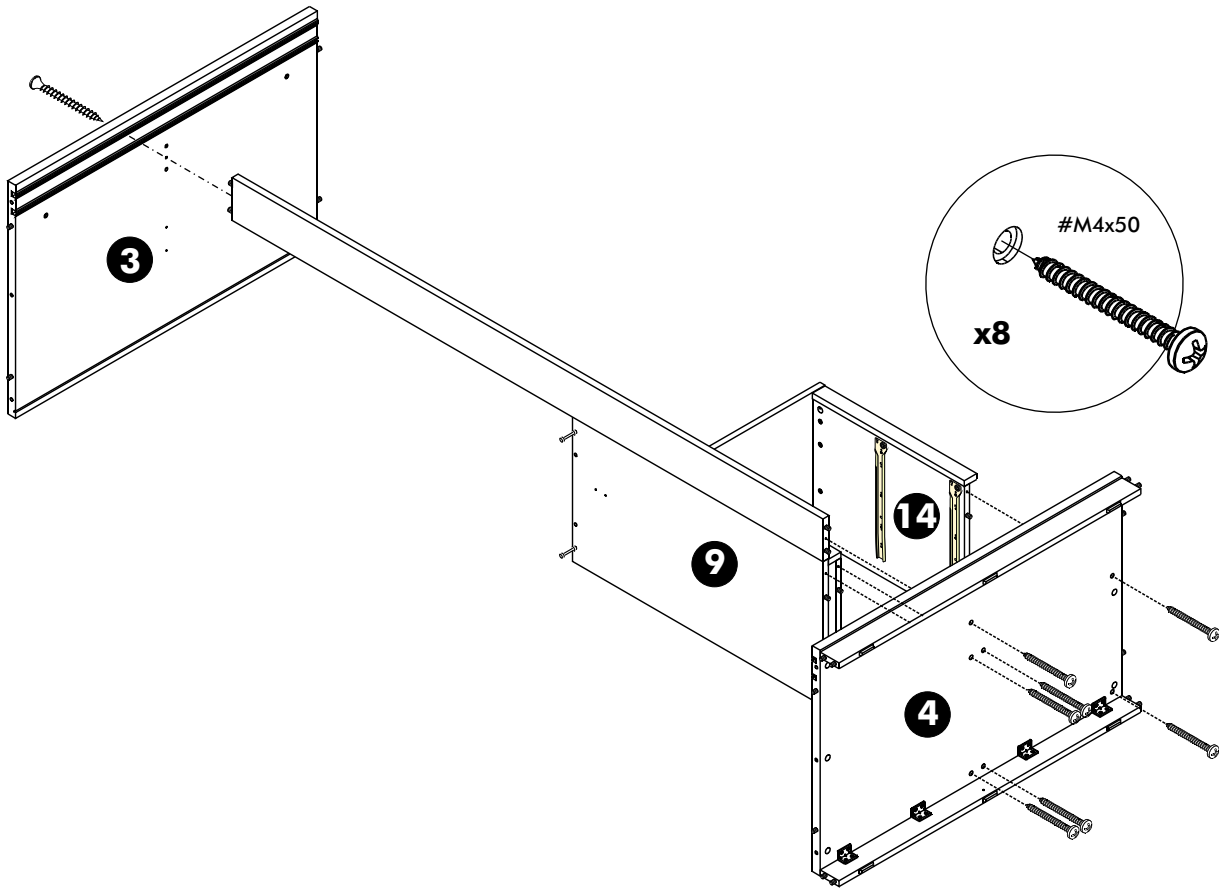
7.



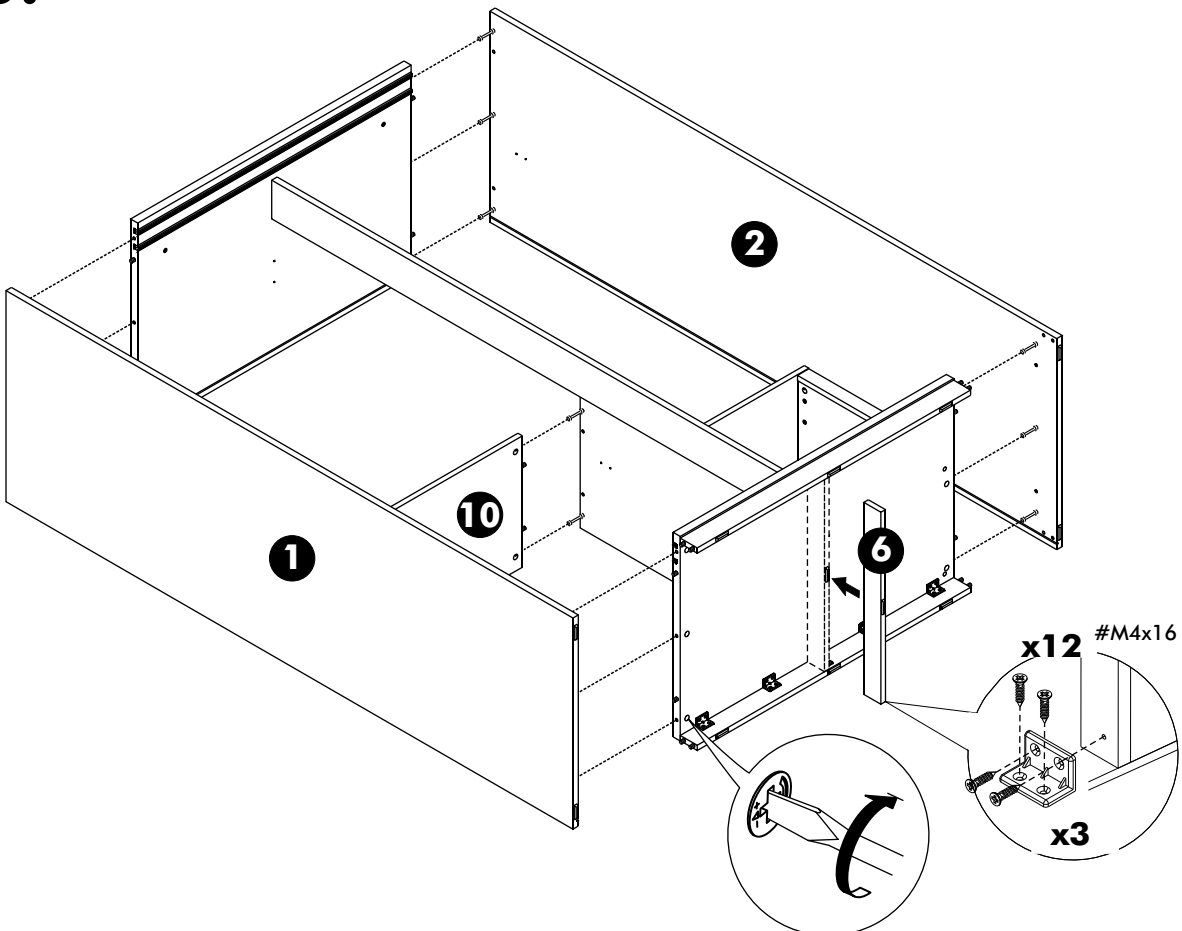
8.



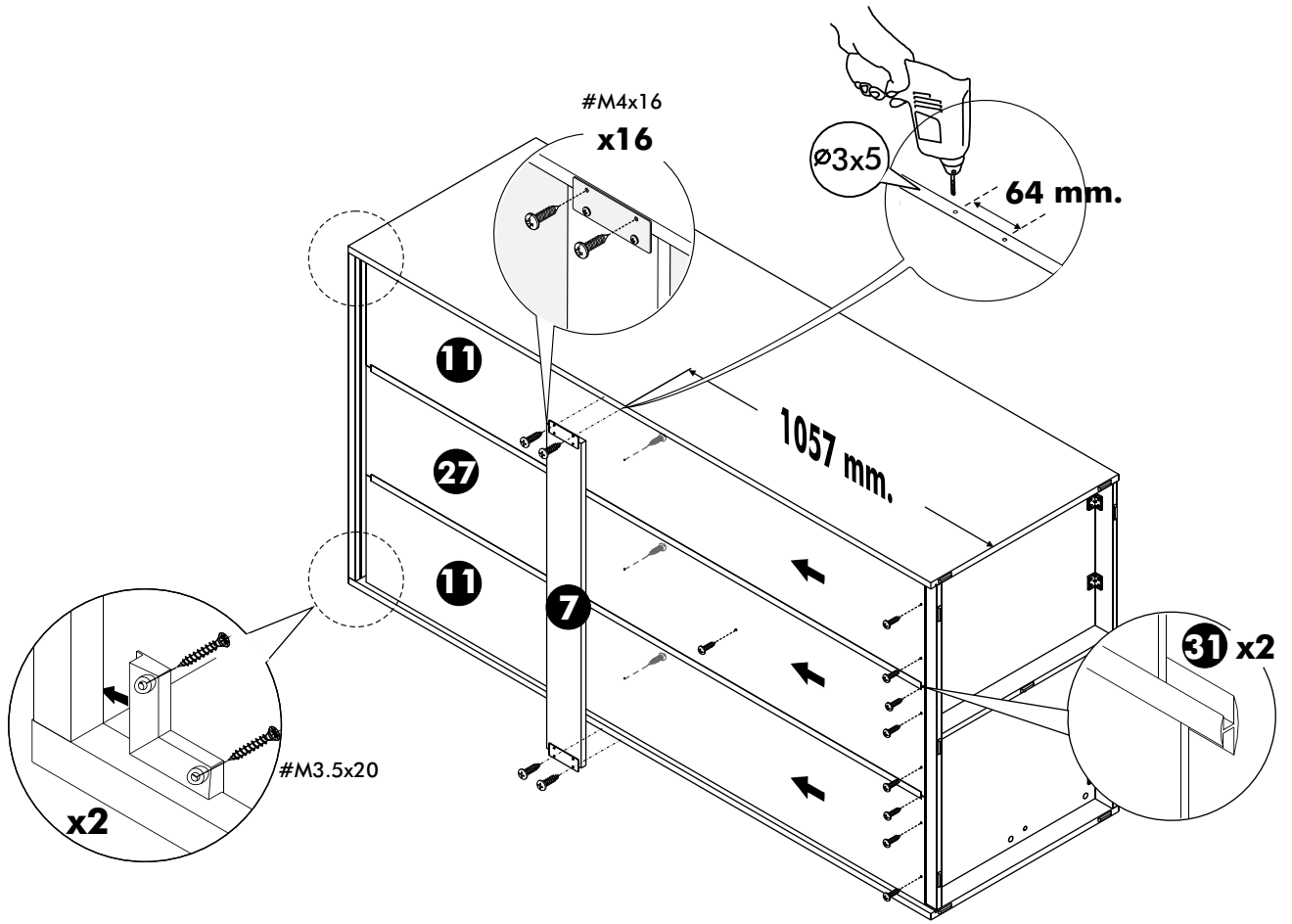
9.



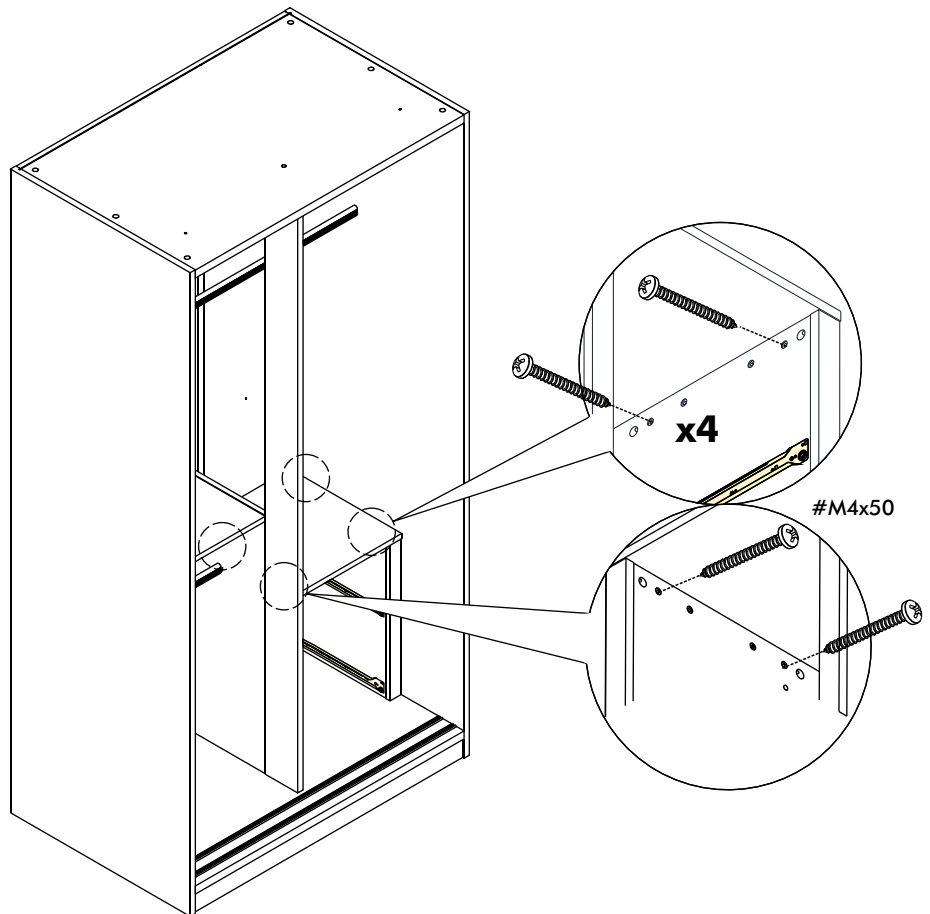
10.



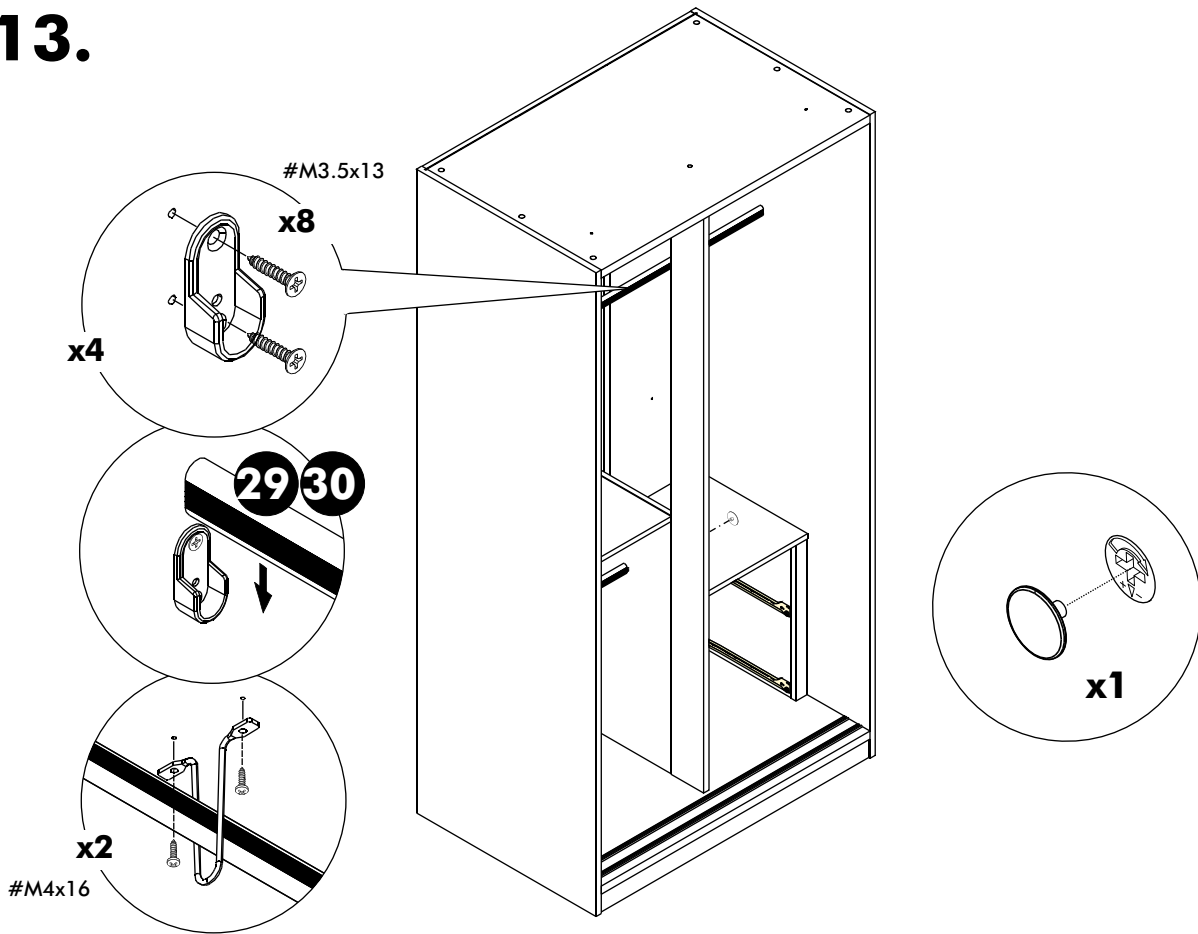
11.



12.

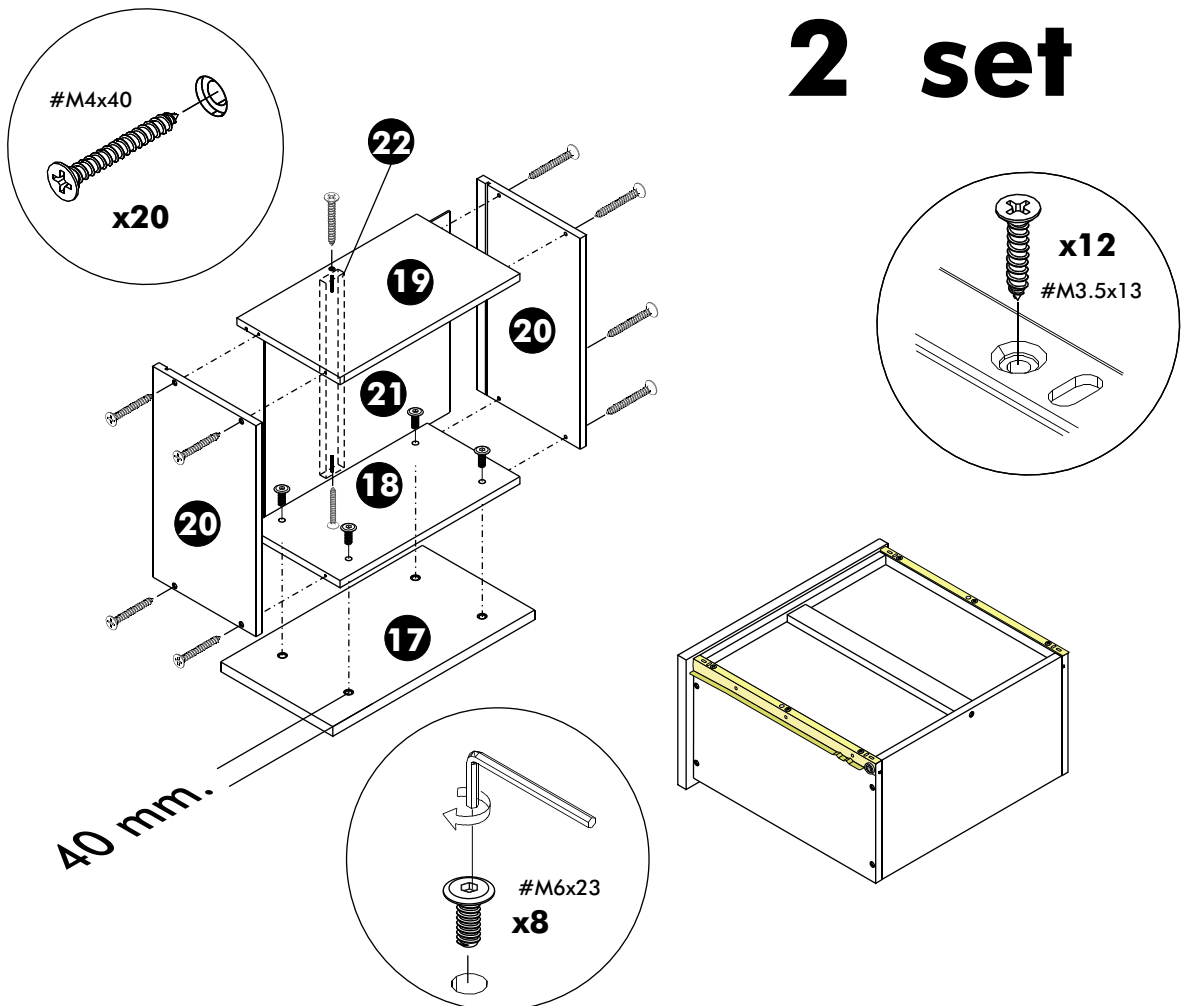


13.

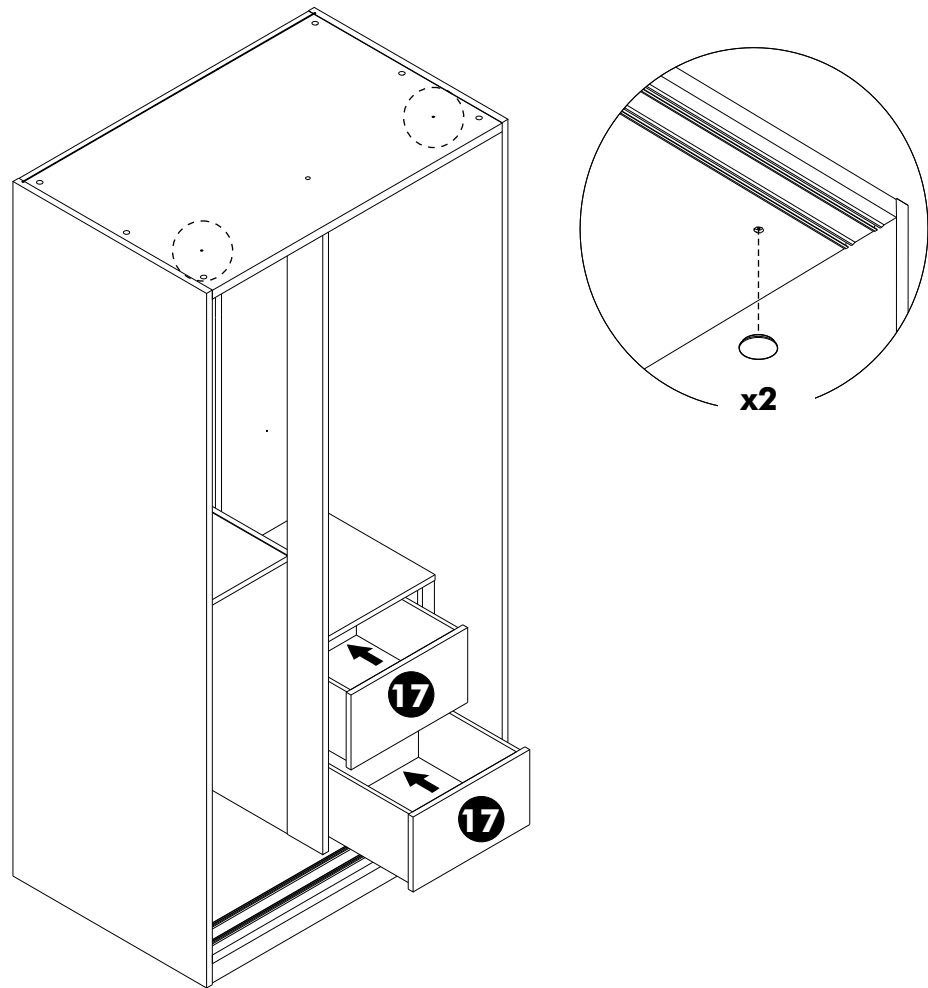


14.

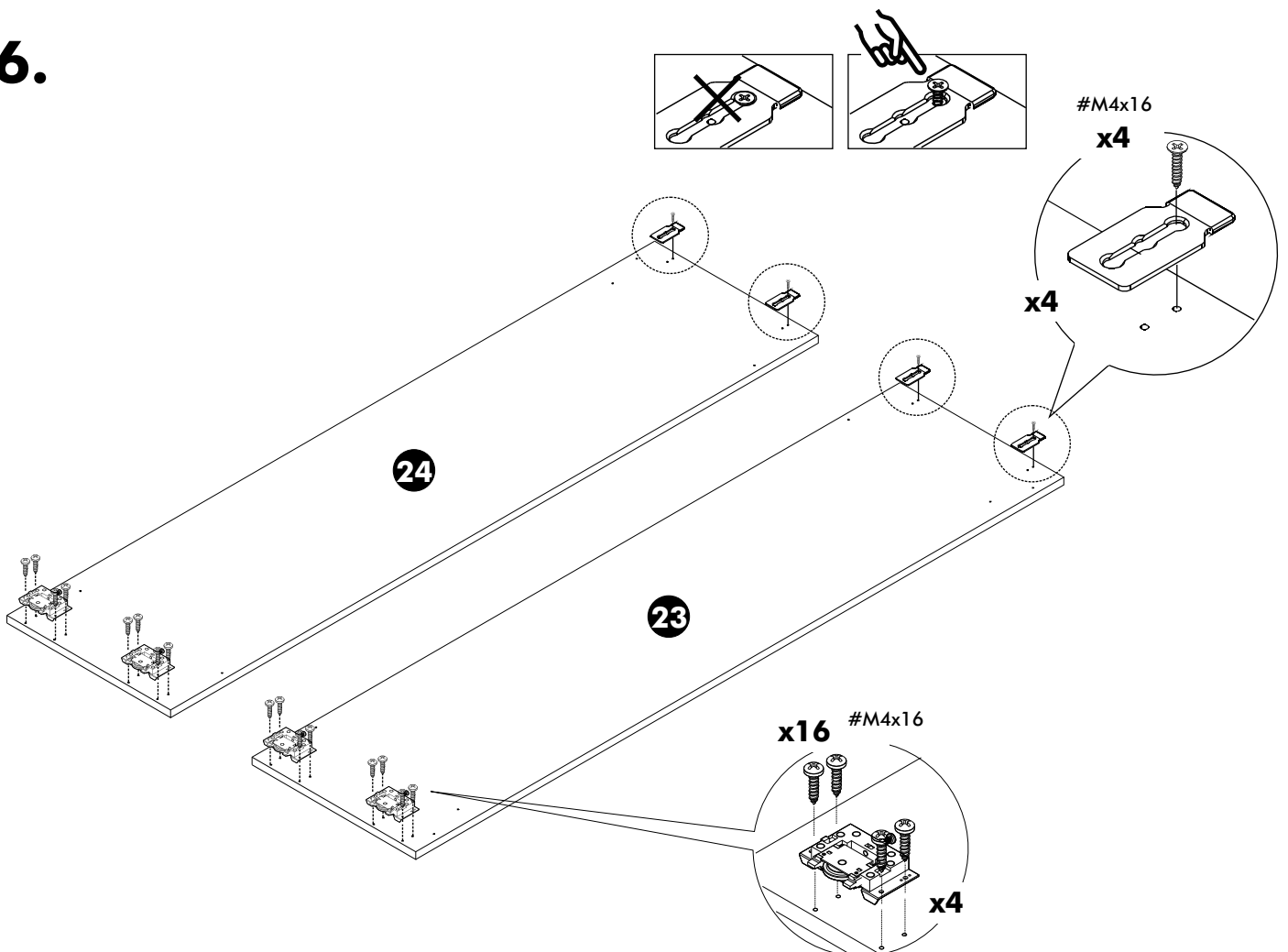
2 set



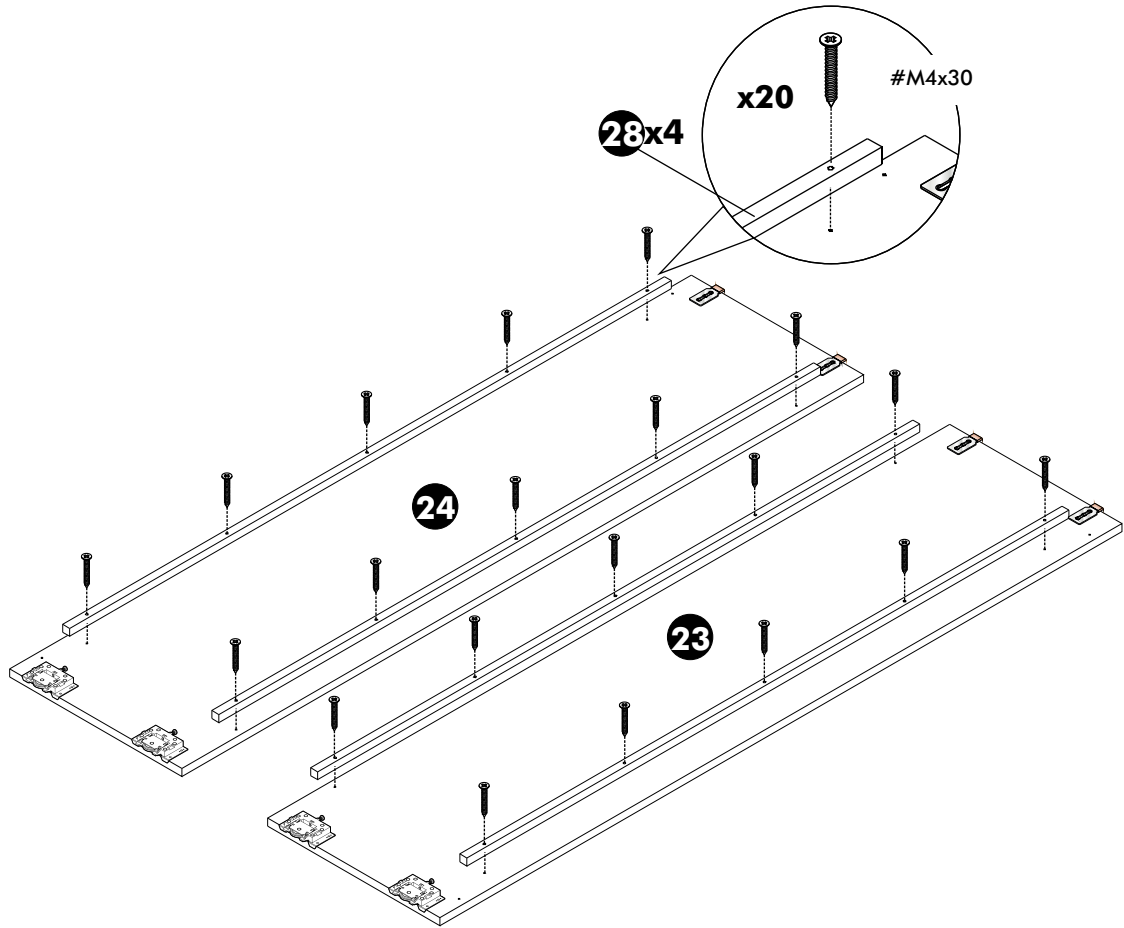
15.



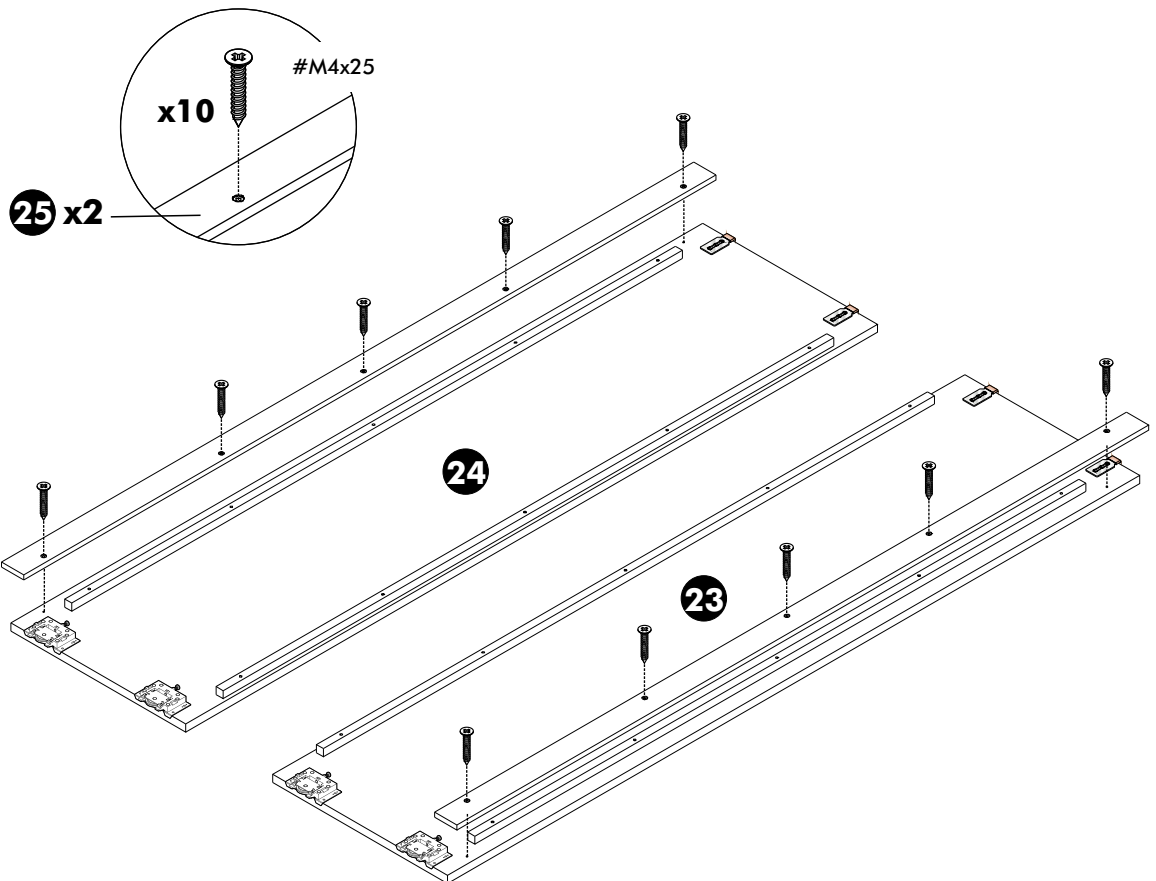
16.



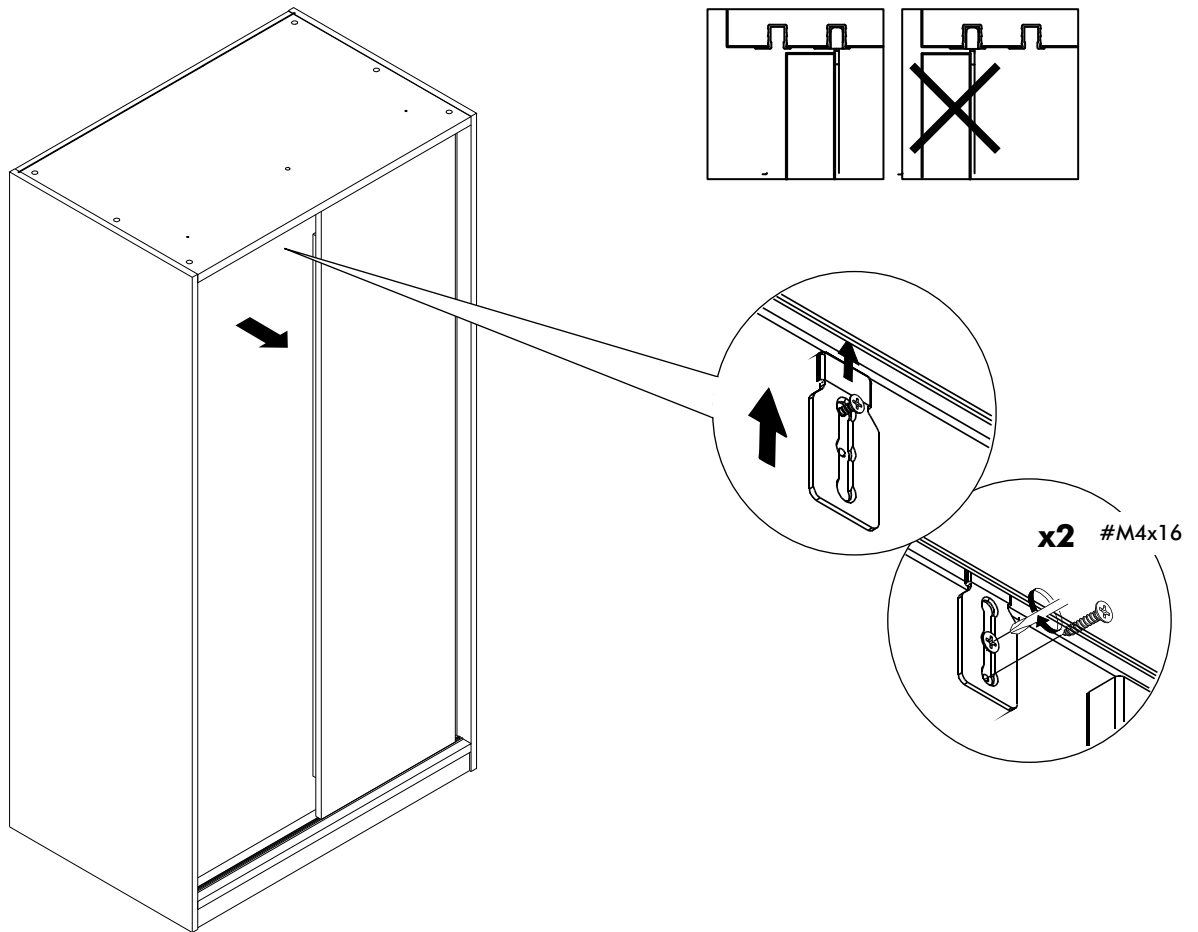
17.



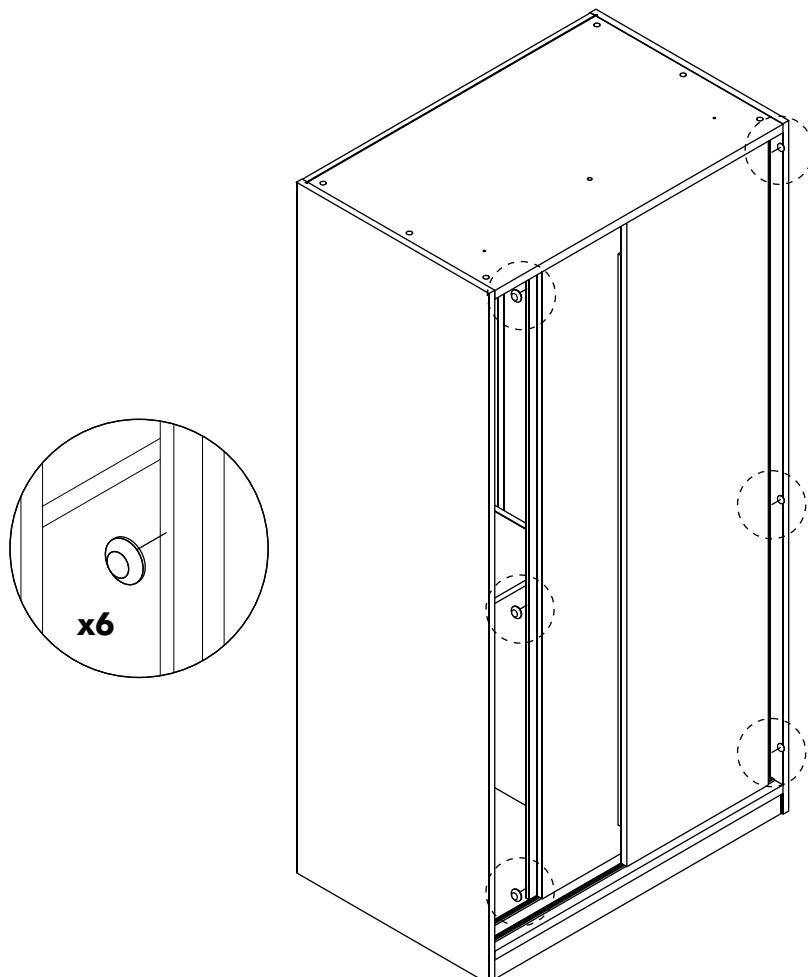
18.

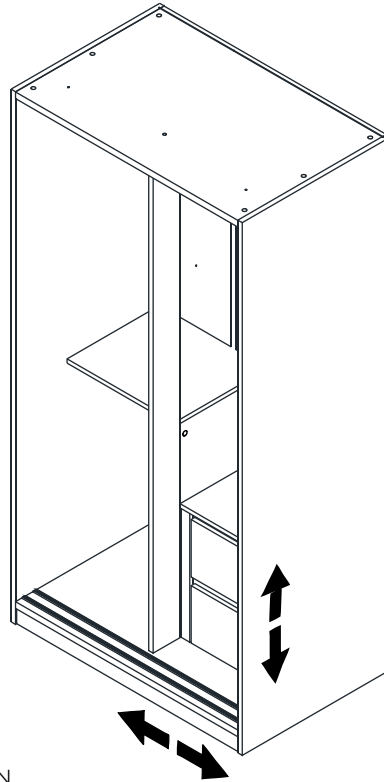
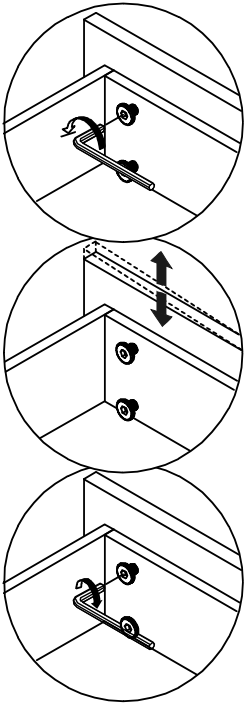


21.



22.





AFTER FINISHED ASSEMBLY.
INCASE OF GAP BETWEEN DRAWERS ARE NOT ALIGN.
PLEASE ADJUST AS BELOW.
1. LOOSE SCREW A LITTLE BIT.
2. THEN MOVE FRONT DRAWER TO ALINGNMENT POSITION.
3. TIGHTEN SCREW.

