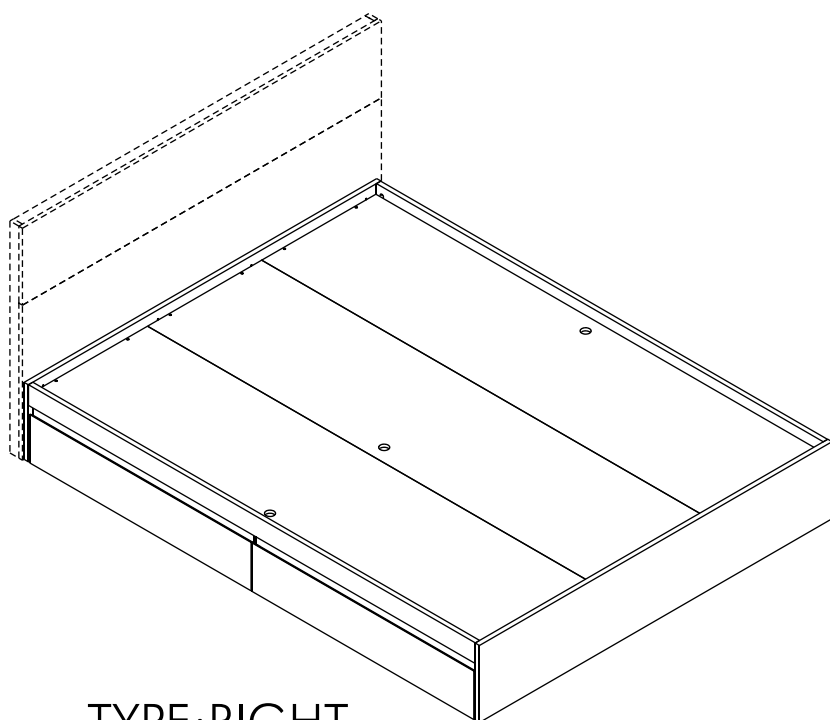
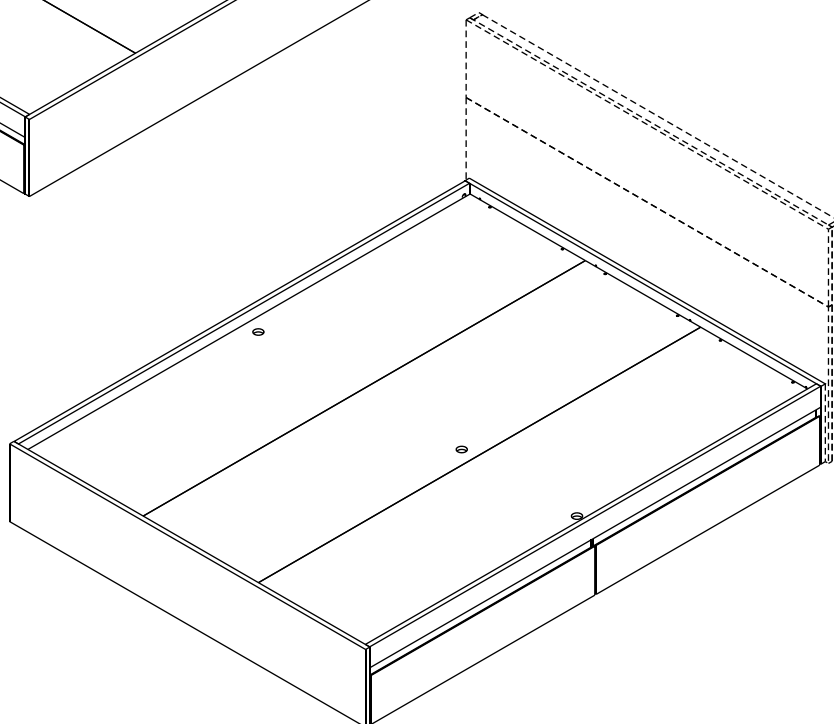


# URBANO

**Bed 5ft.+ Drawer**



TYPE:RIGHT



TYPE:LEFT

# CONNECT SYSTEM

**1**

**3**

**2**

(Connecting bolts)

**WHEN FITTING CAMS**  
 ENSURE STARTING POSITION IS CORRECT  
 BEFORE YOU INSERT CONNECTING BOLT  
 TURN CLOCKWISE UNTIL SECURE

✓				✗
↑	<b>CORRECT</b>	<b>WRONG</b>		

1 Pc.  $\leq 190\text{mm.}$

2 Pcs.  $\geq 191-850\text{mm.}$

3 Pcs.  $> 850-2000\text{mm.}$

4 Pcs.  $> 2001\text{mm.}$

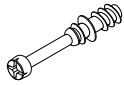
M4x16mm.

OUT

IN

**i**

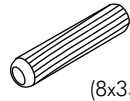

# HARDWARE



**X 12**



**X 12**

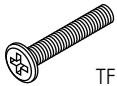


(8x35)

**X 20**



**X 4**



TF+M6x45

**X 2**



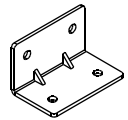
#M6

**X 2**

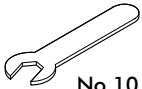


#M6

**X 2**

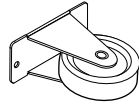


**X 8**



No.10

**X 1**



**X 10**

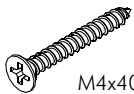


M6x23

**X 12**



**X 1**



M4x40mm.

**X 40**



M4x30mm.

**X 28**



M4x25mm.

**X 27**



M4x16mm.

**X 42**



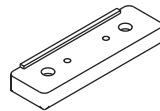
M3.5x13mm.

**X 20**



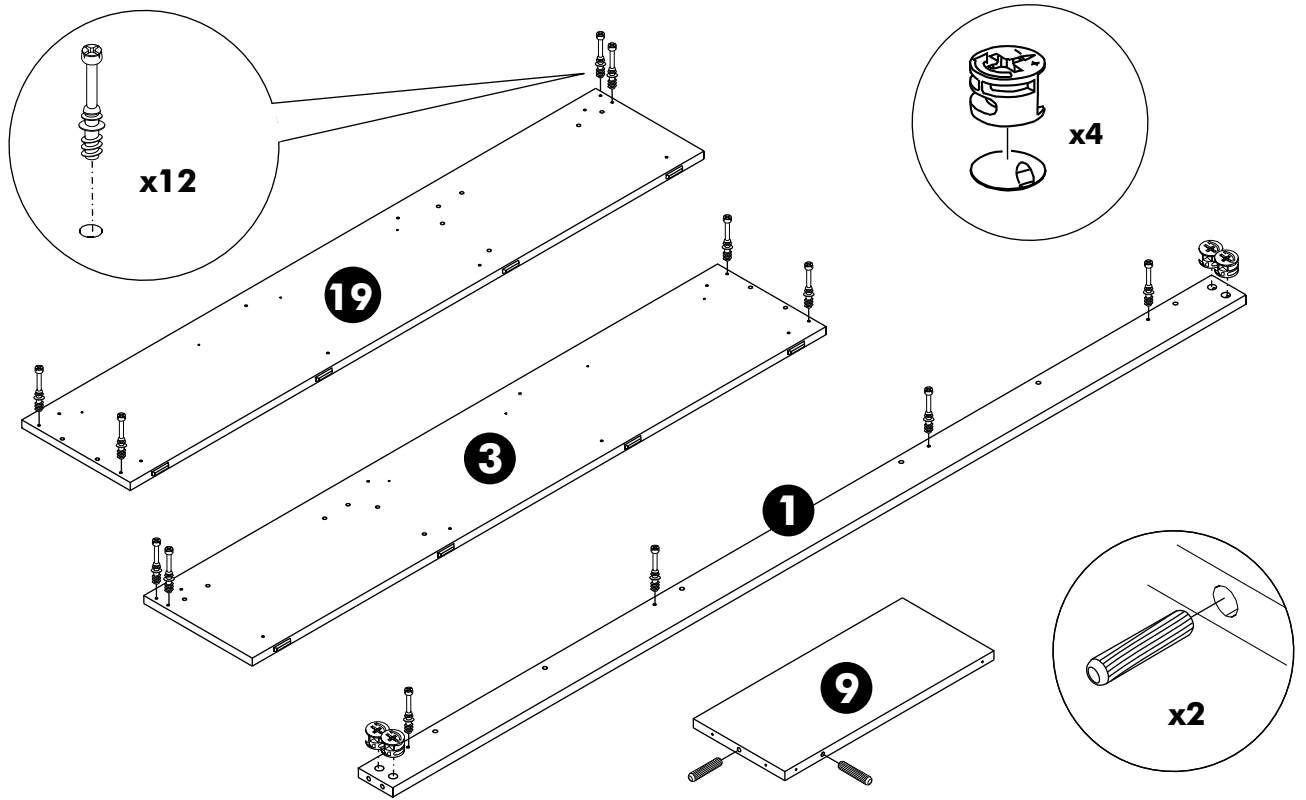
M4x16mm.

**X 40**

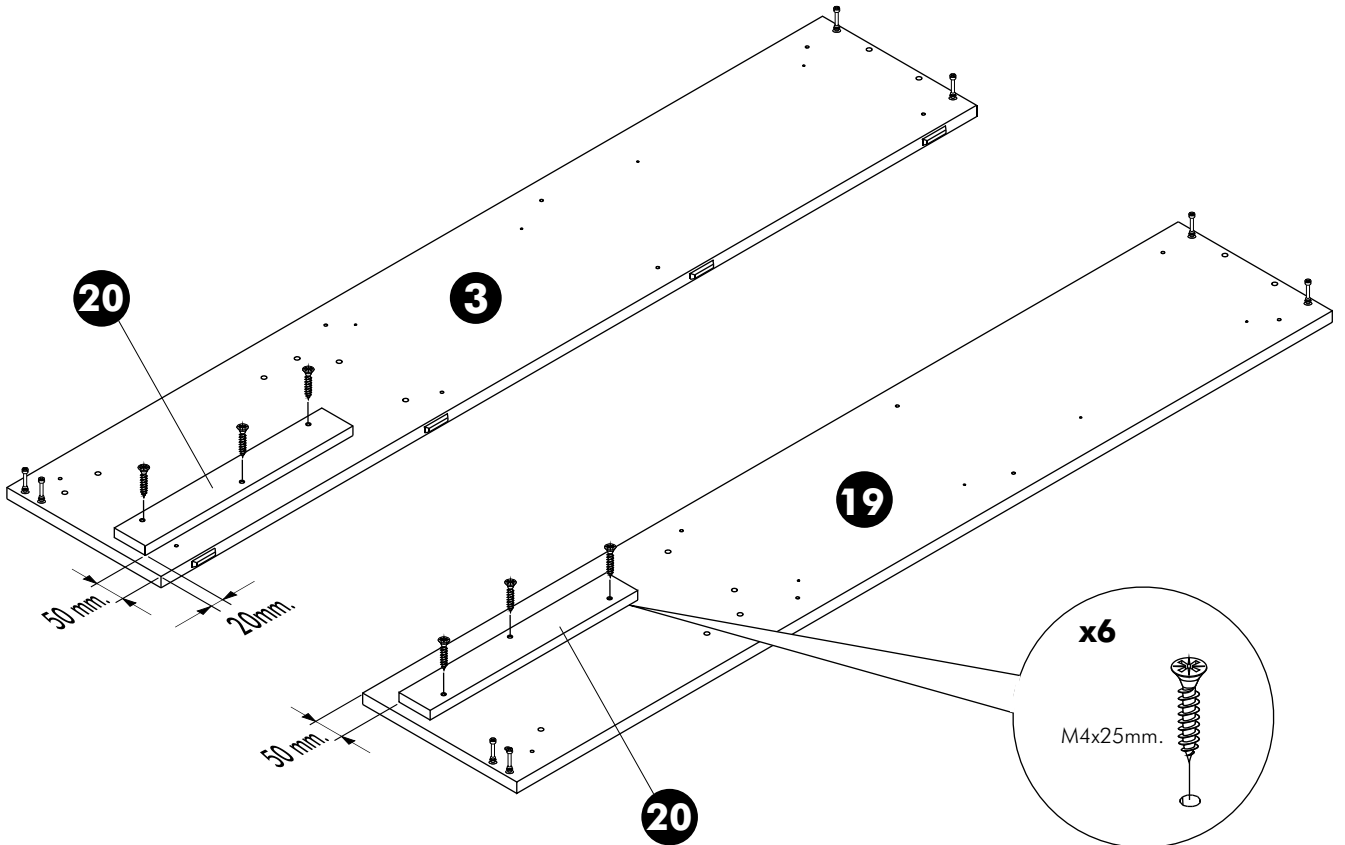


**X 18**

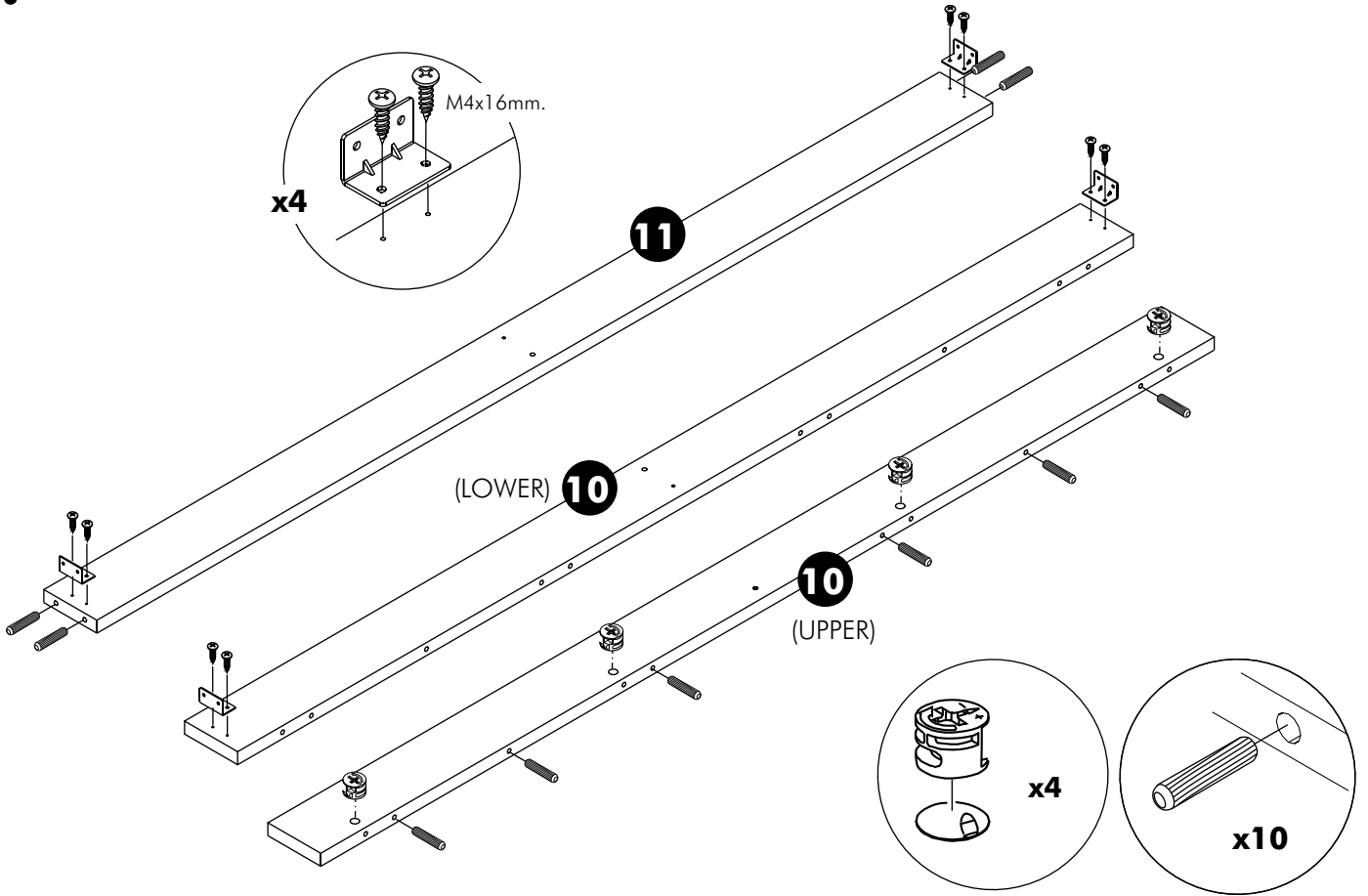
**1.**



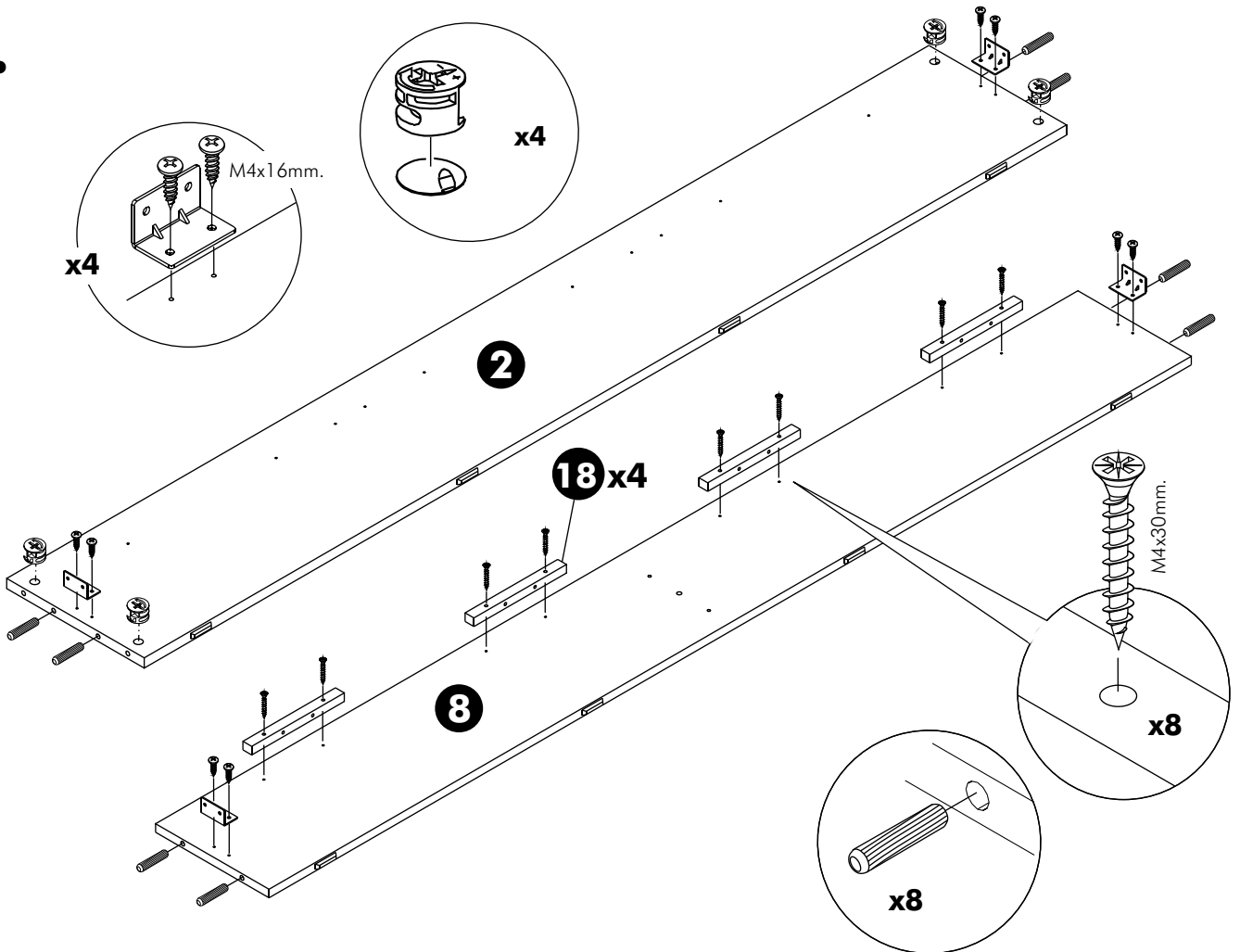
**2.**



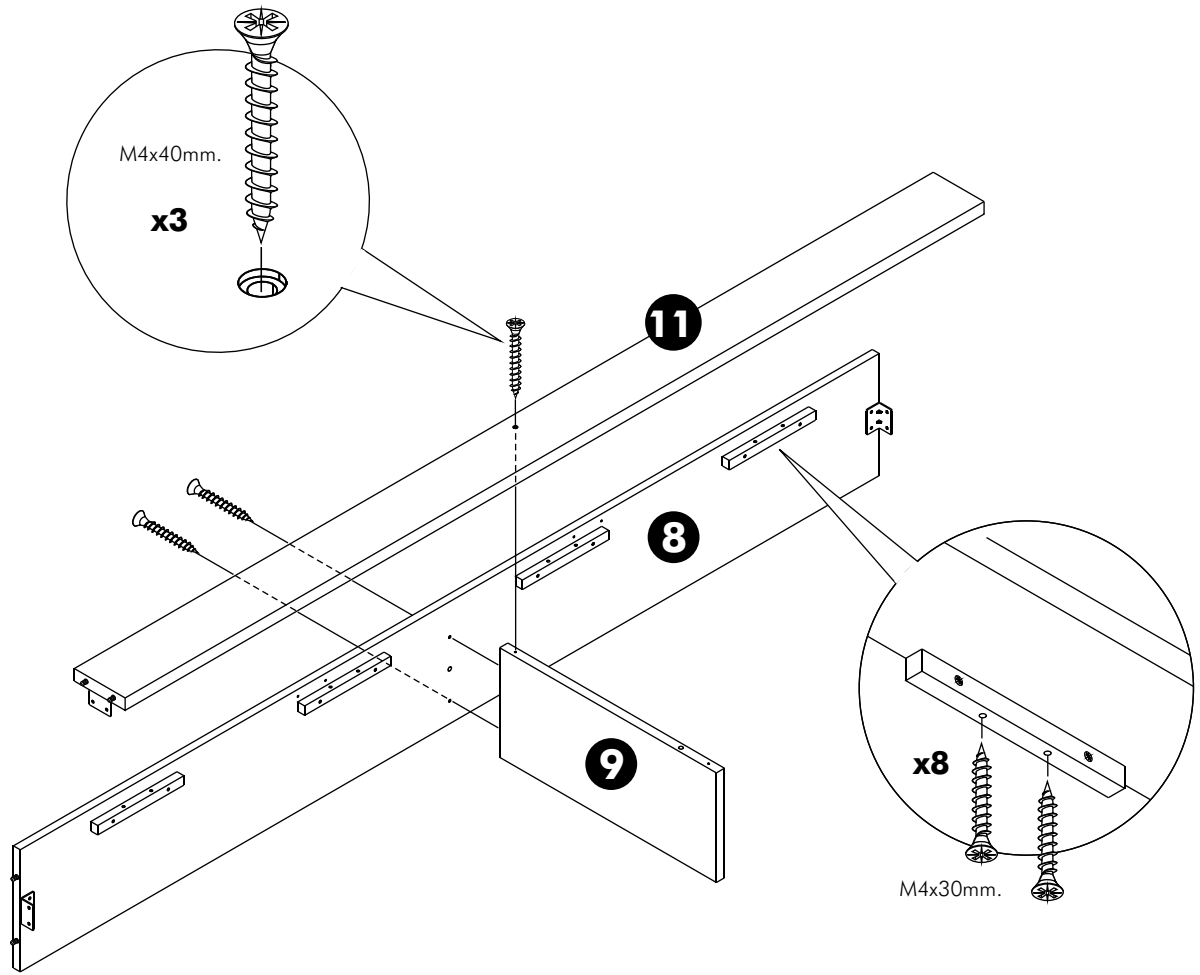
**3.**



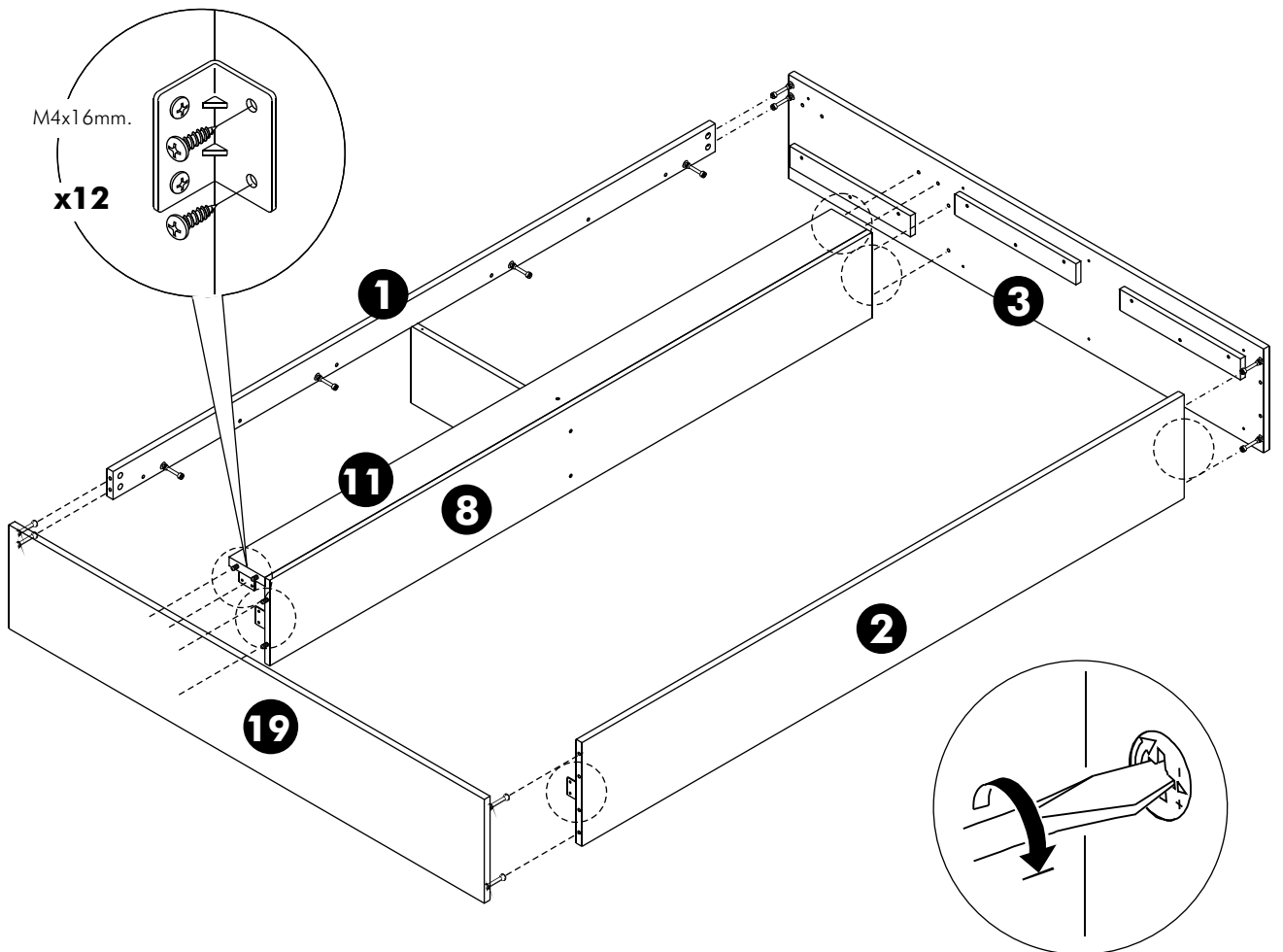
**4.**



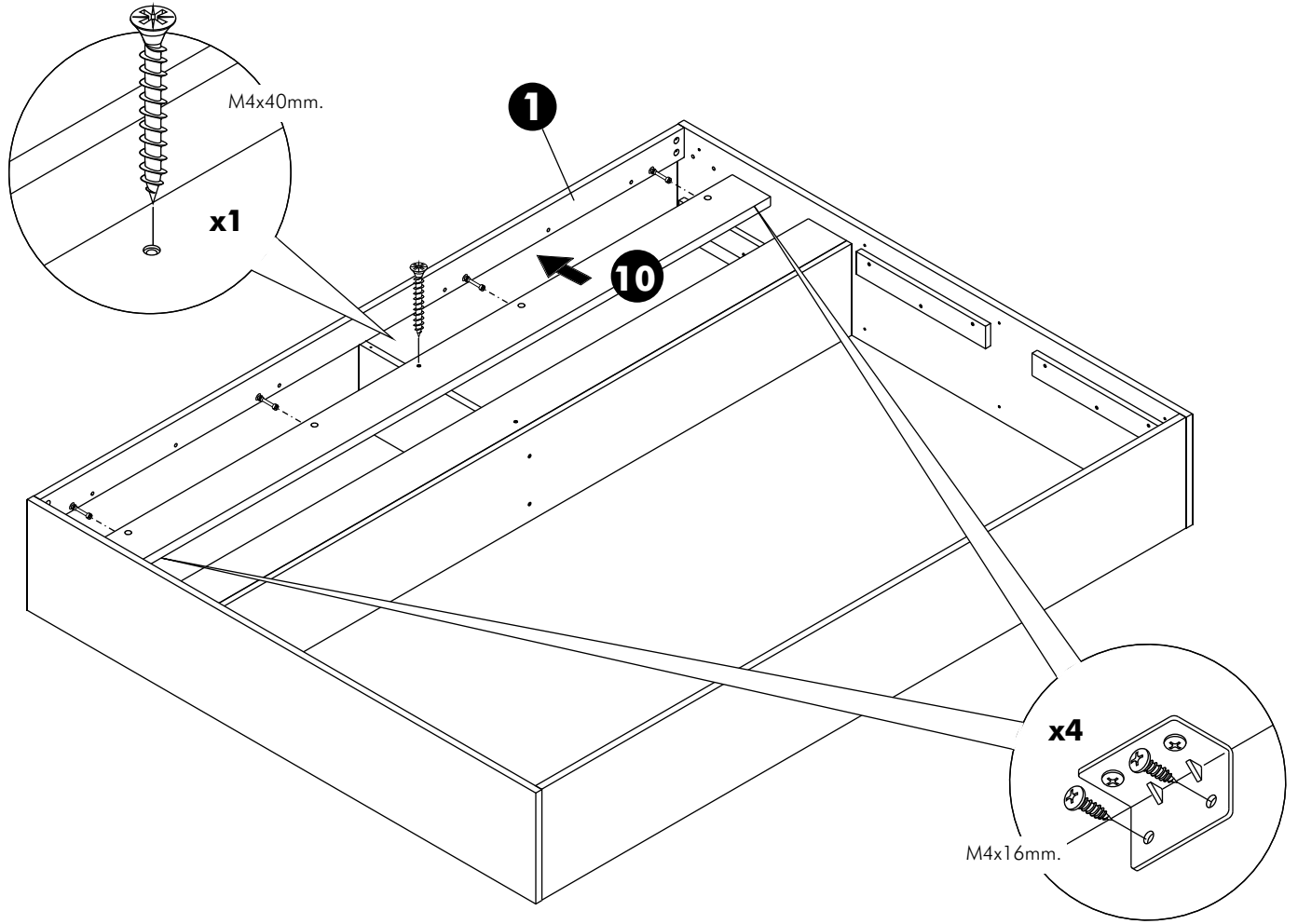
**5.**



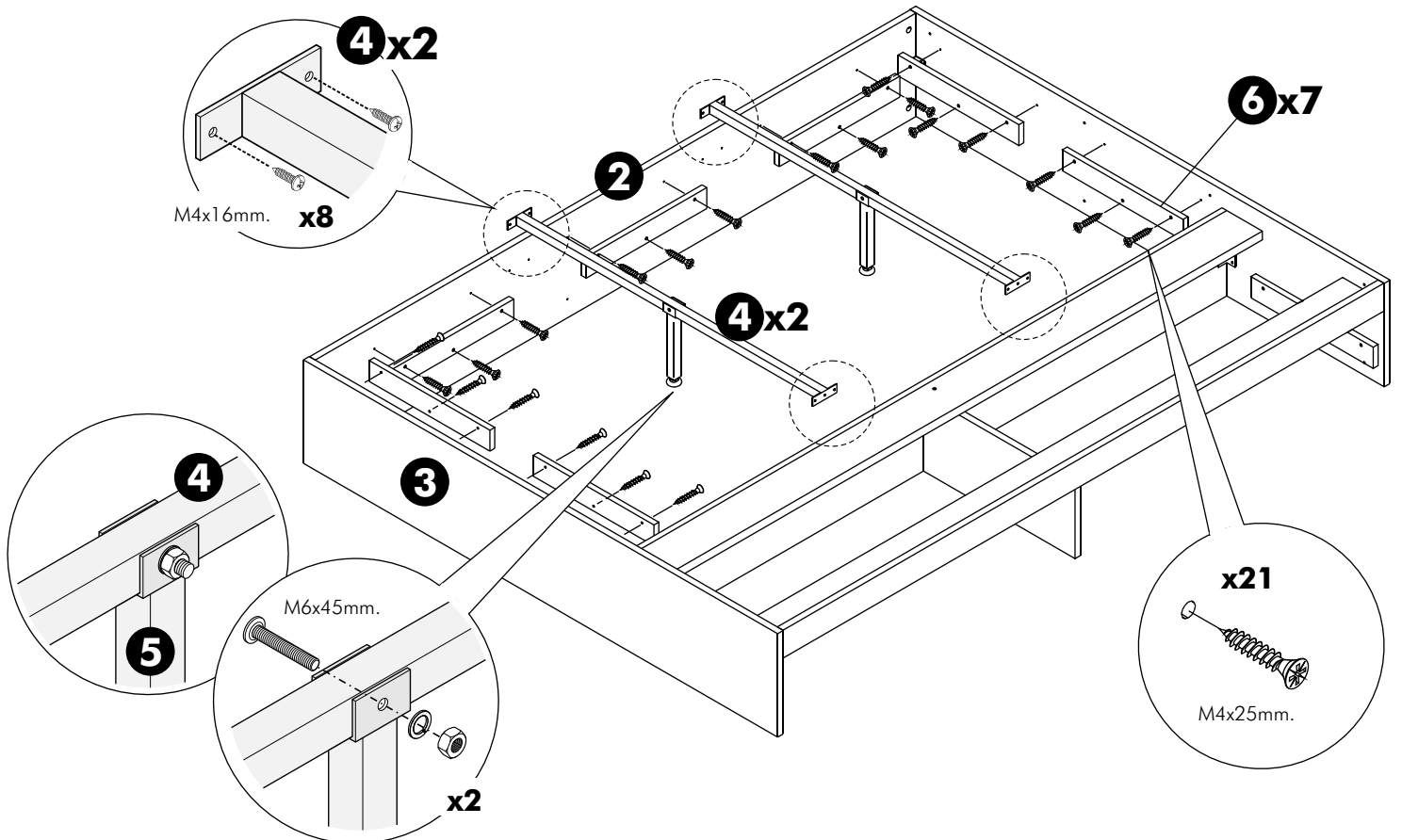
**6.**



**7.**

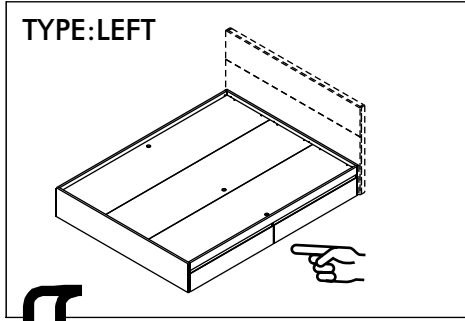


**8.**

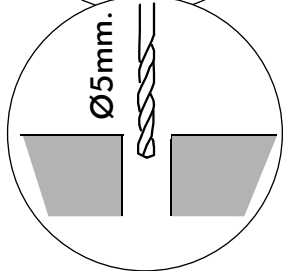
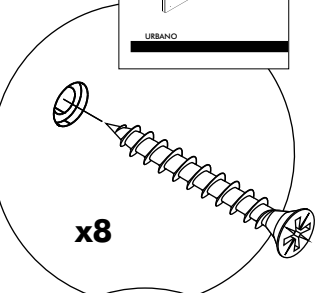
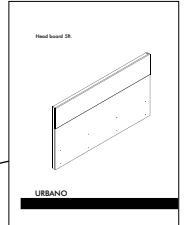
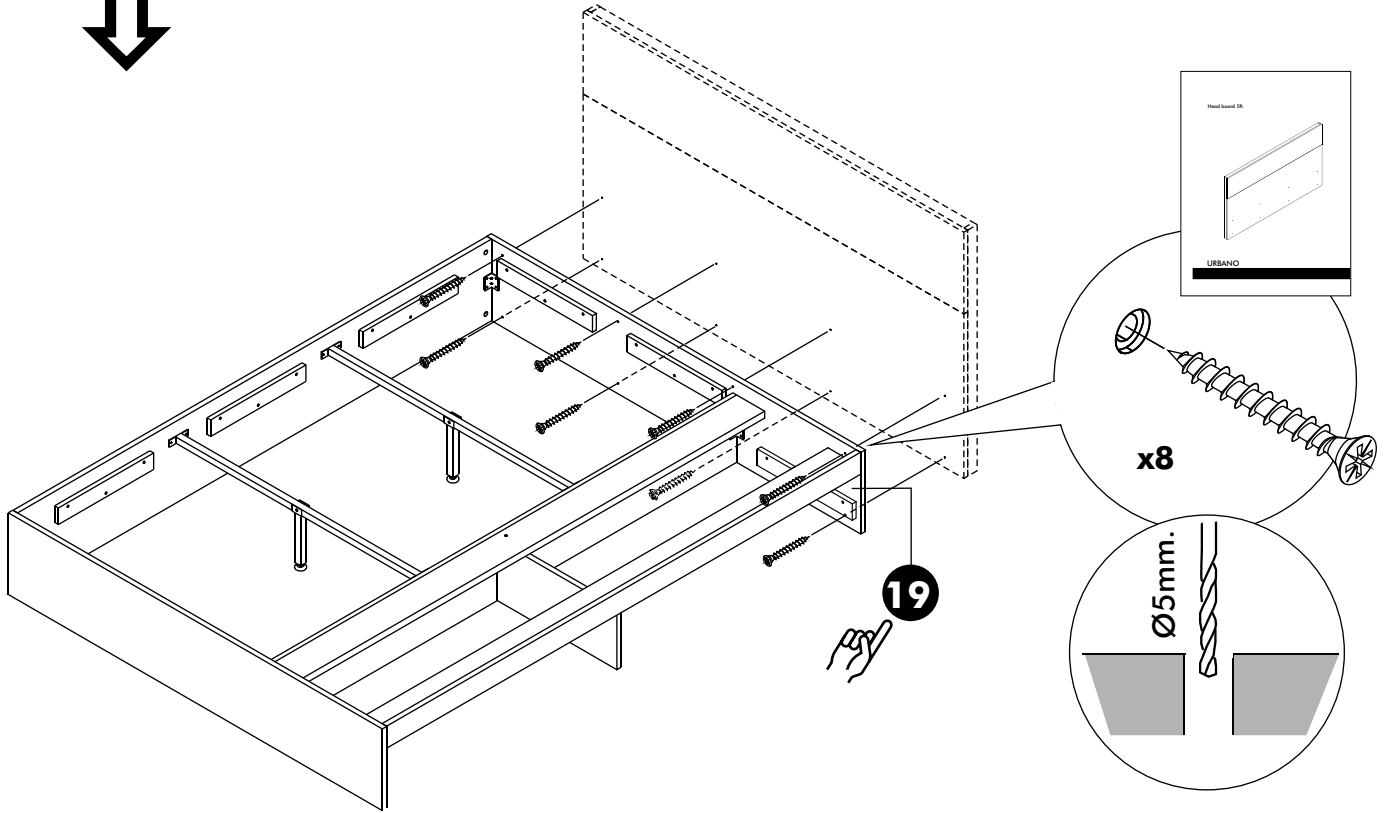
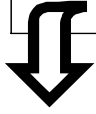
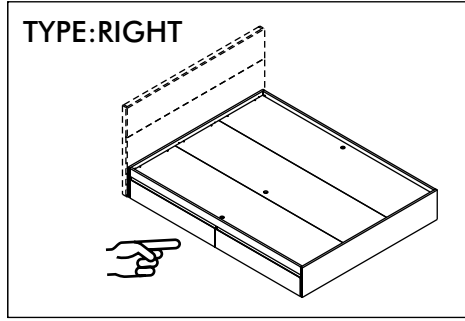


9.

TYPE:LEFT

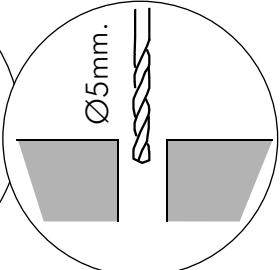
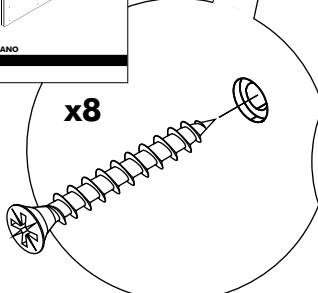
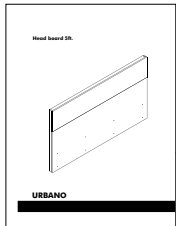
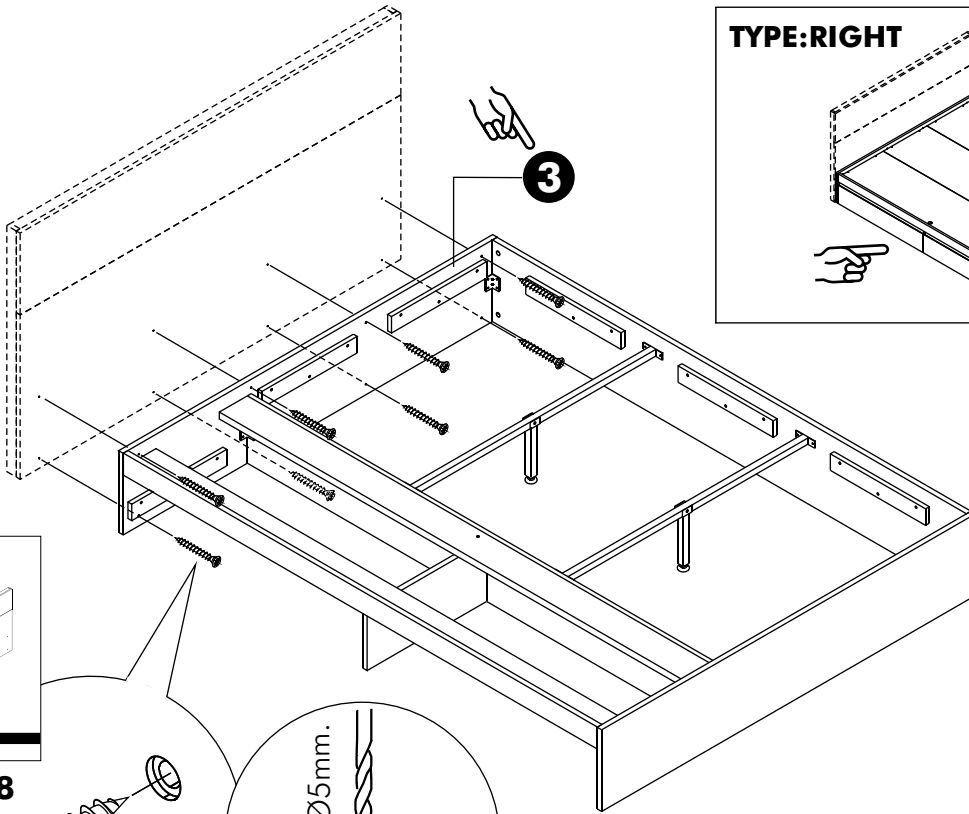
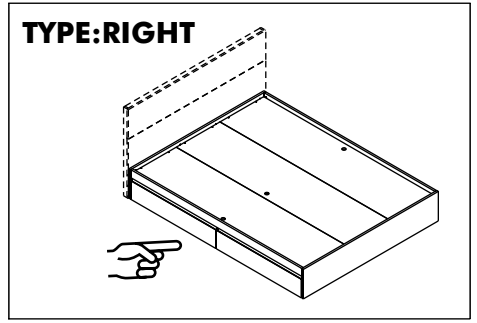


TYPE:RIGHT



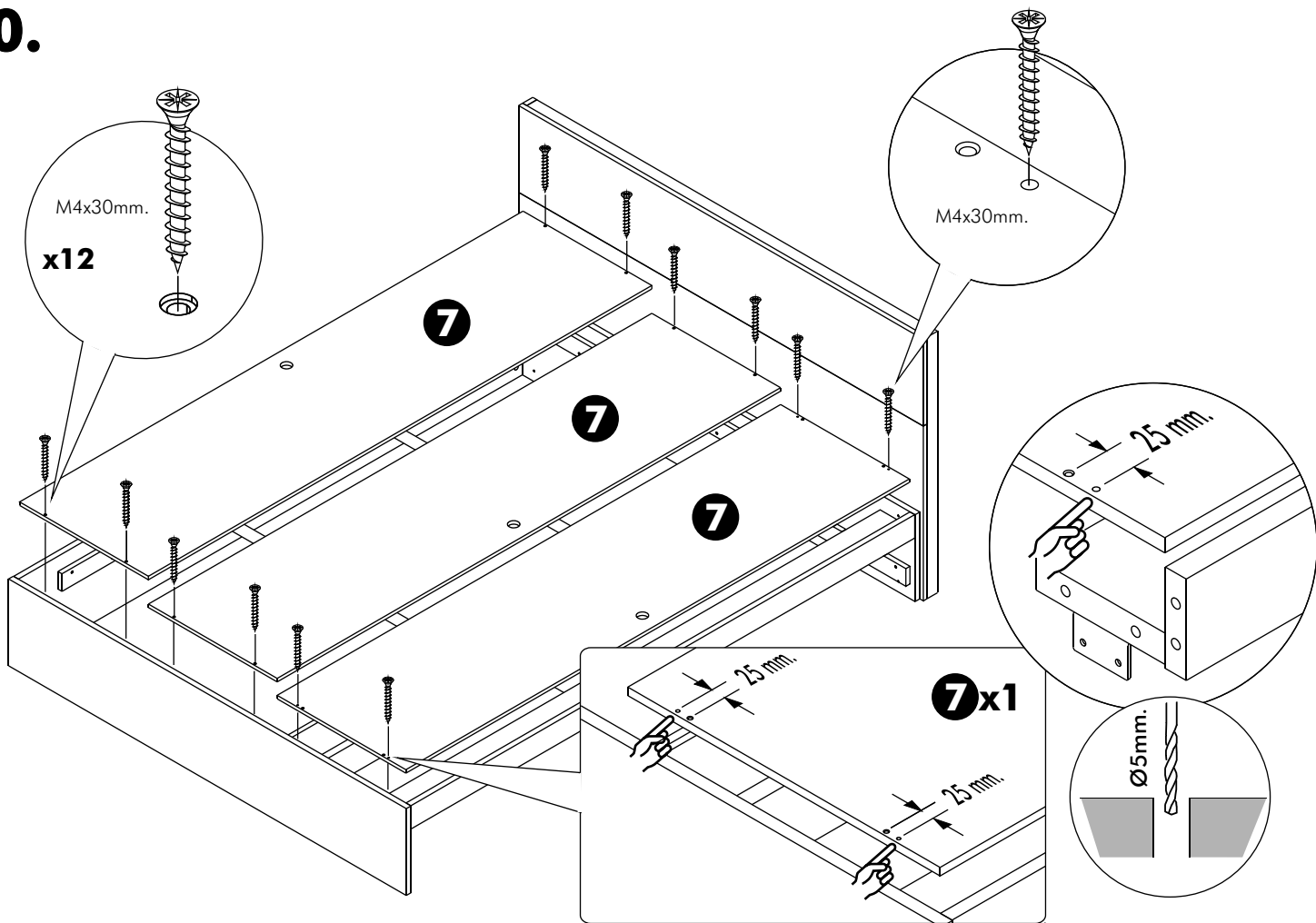
9.

TYPE:RIGHT

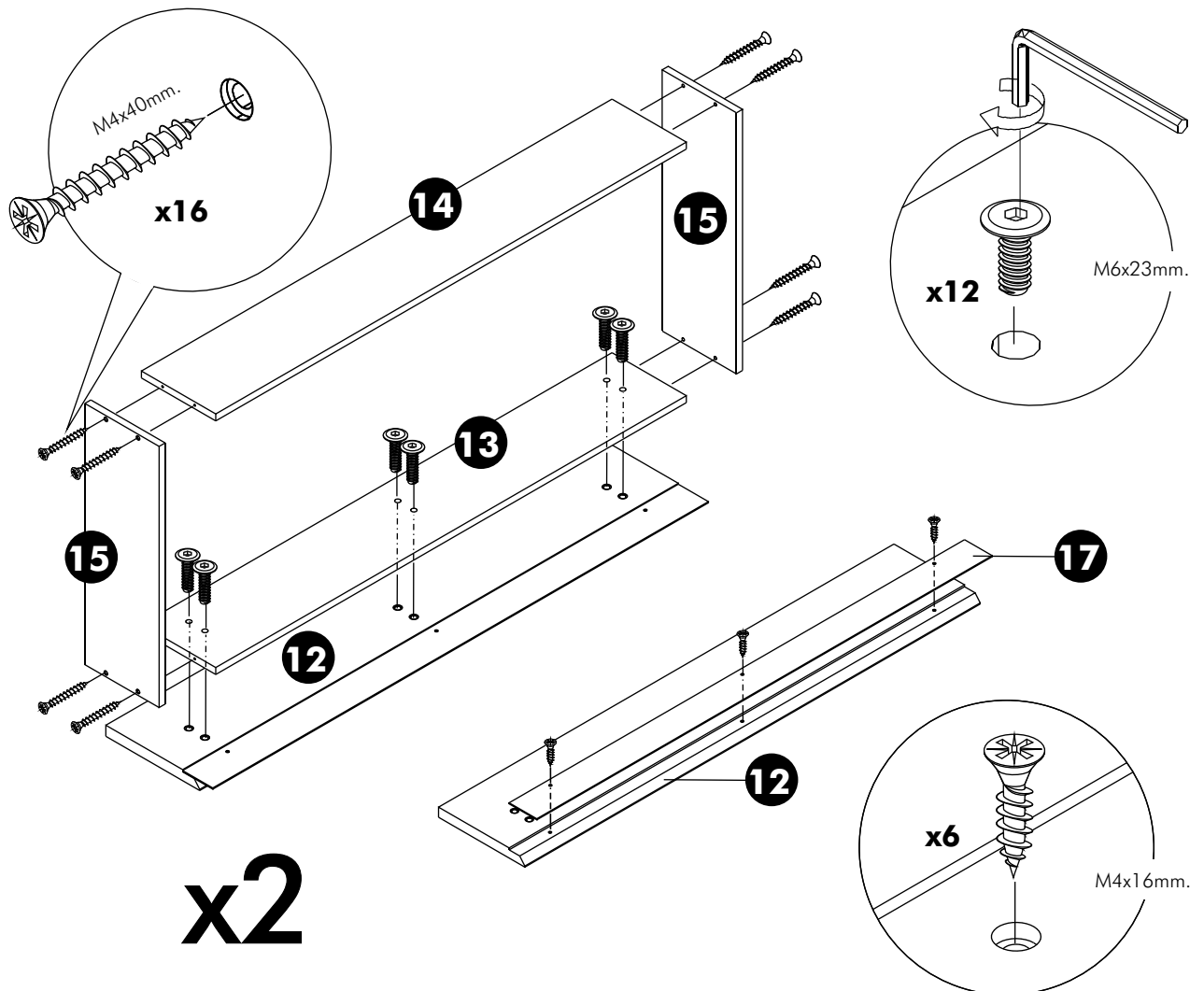


8

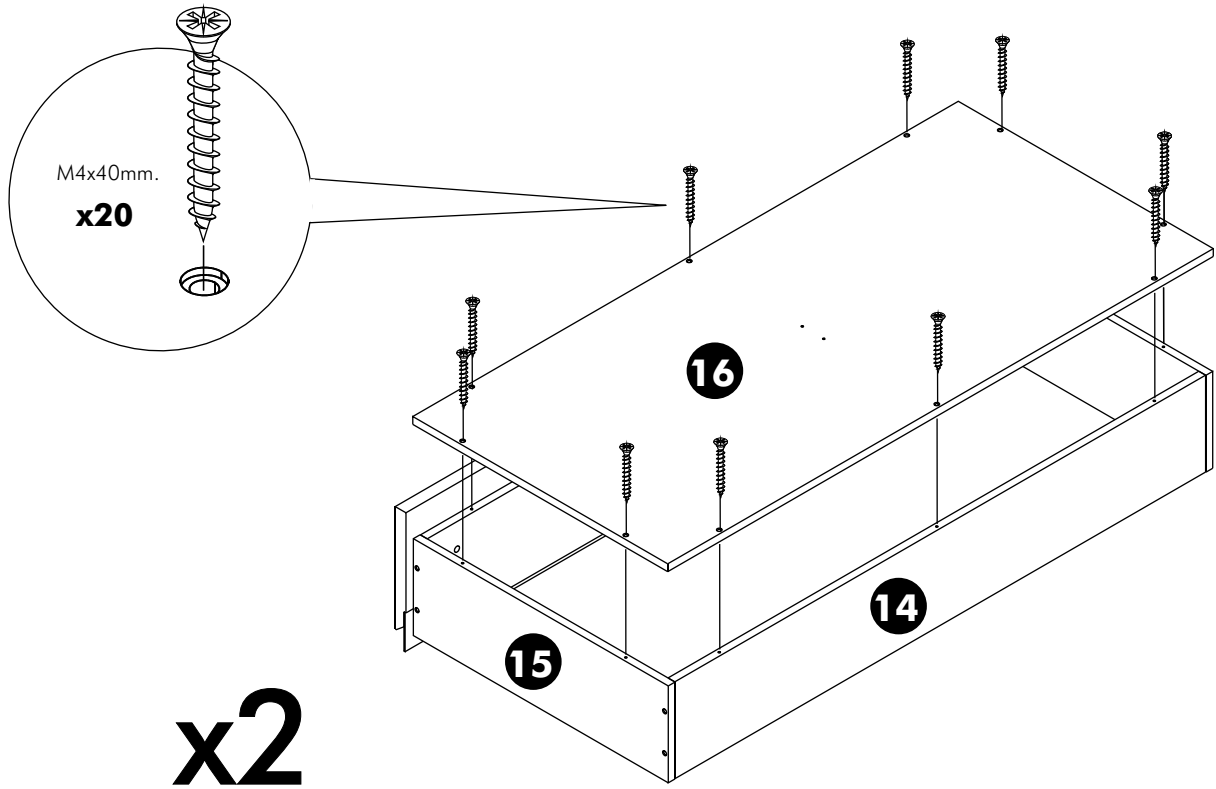
10.



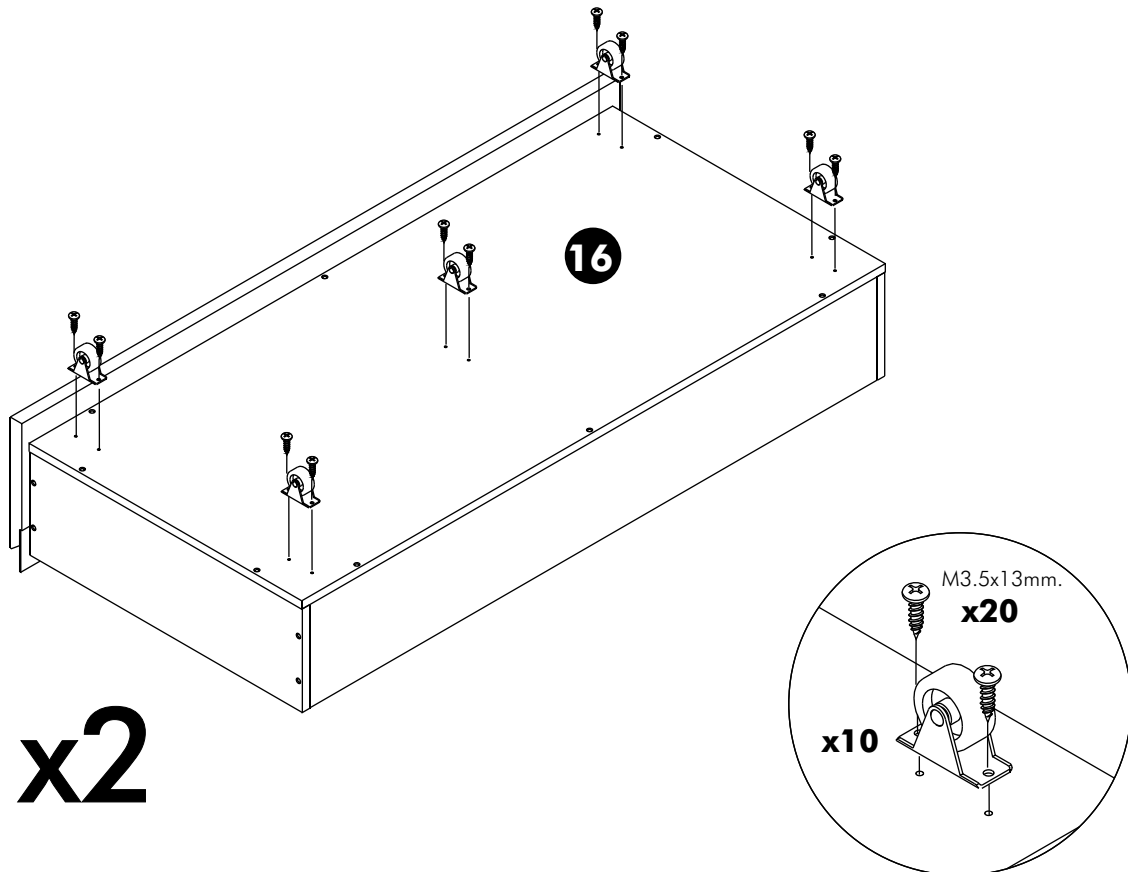
11.



**12.**



**13.**



**14.**

