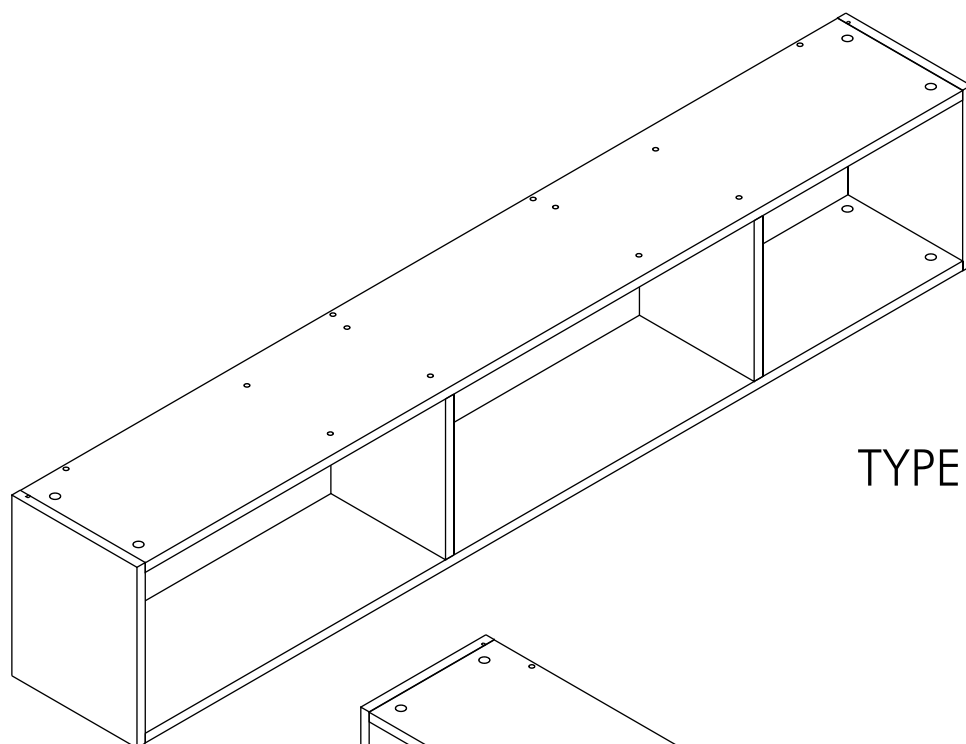
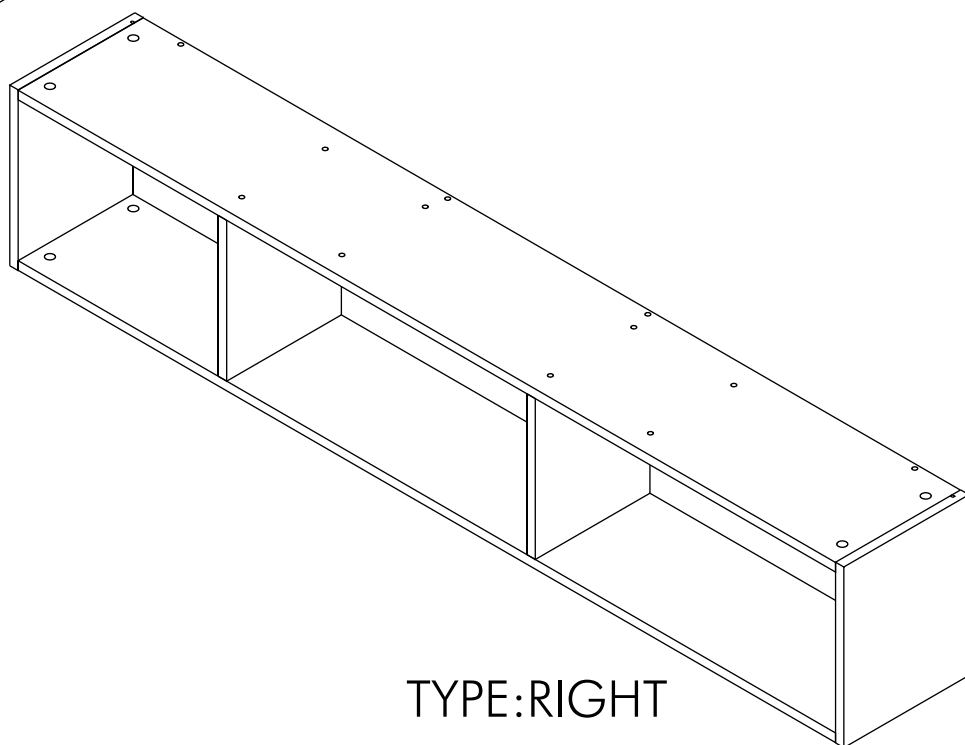


URBANO

Wall shelf 160x30 cm.

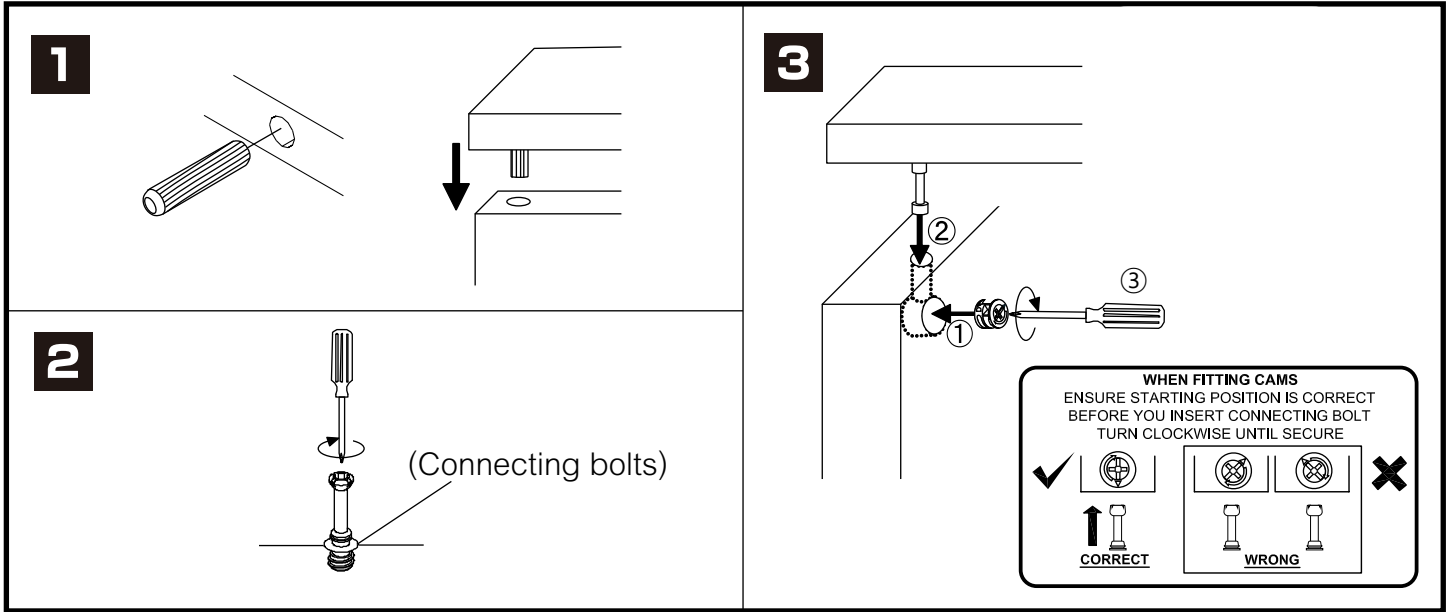


TYPE:LEFT



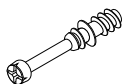
TYPE:RIGHT

CONNECT SYSTEM



HARDWARE

-BODY SET



X 8



X 8



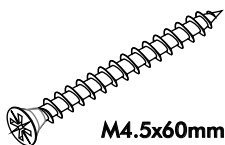
(8x35)

X 16



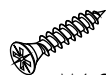
M4x50mm.

X 12



M4.5x60mm.

X 4



M4x20mm.

X 4



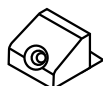
X 12



X 4

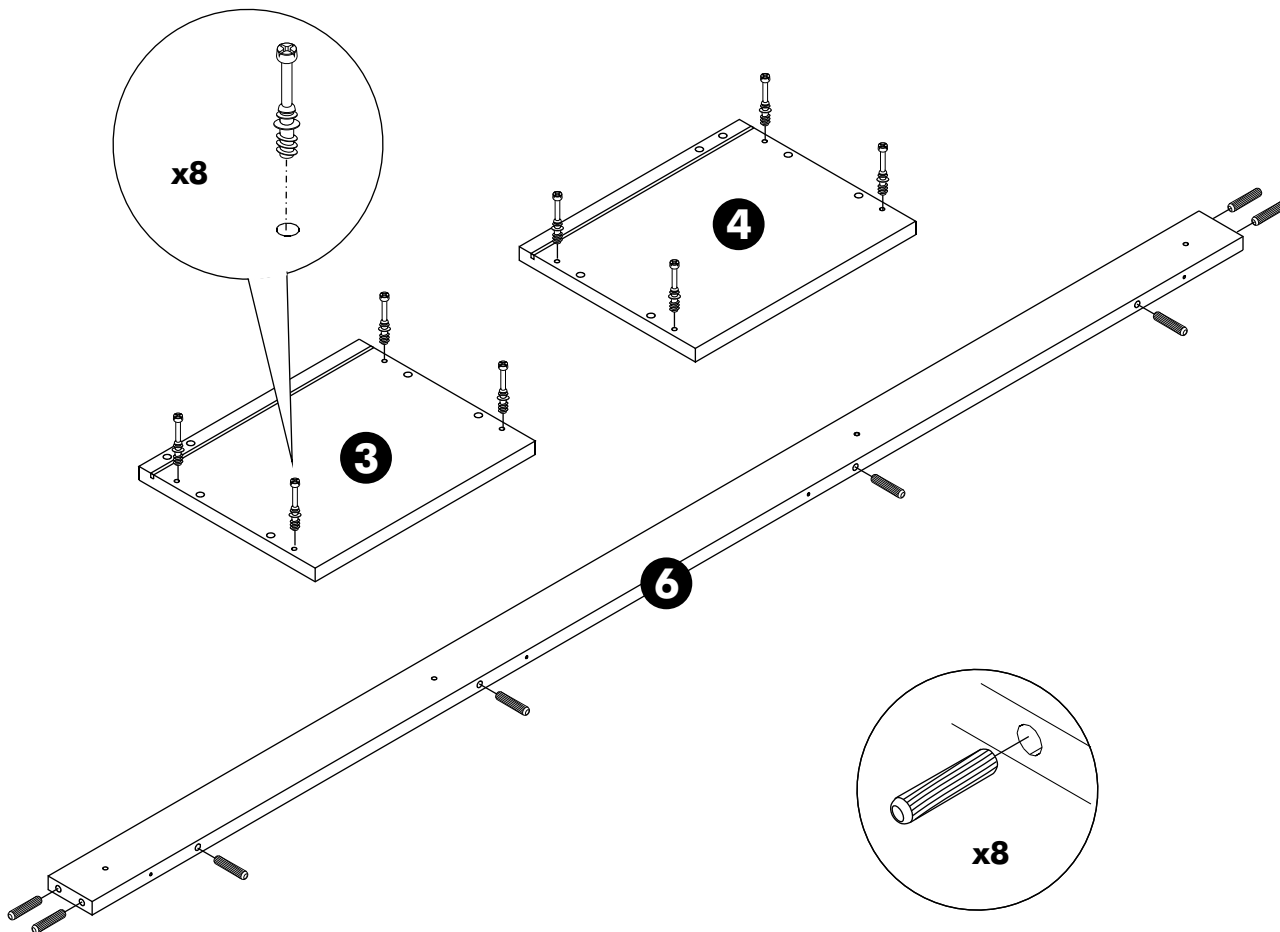


X 4

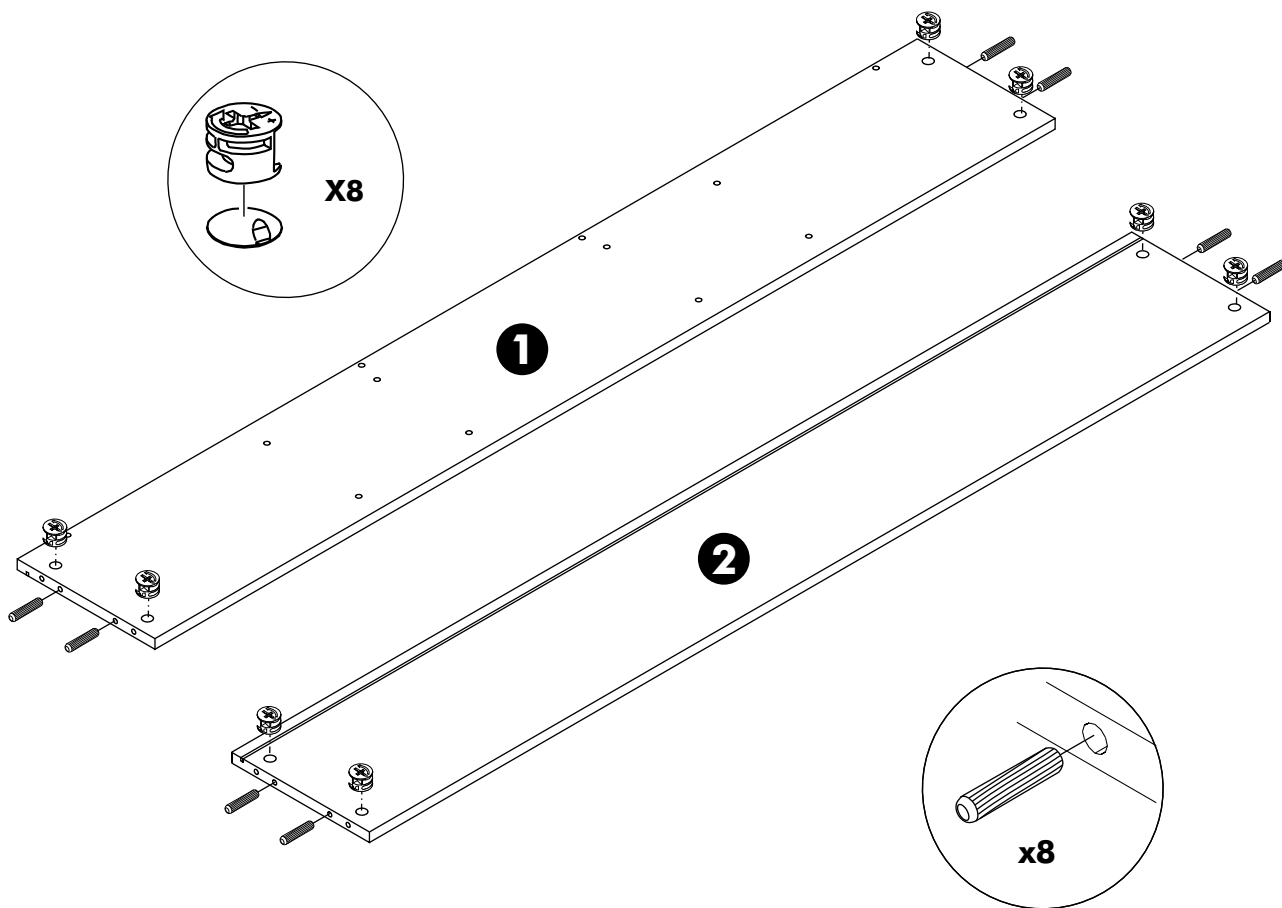


X 4

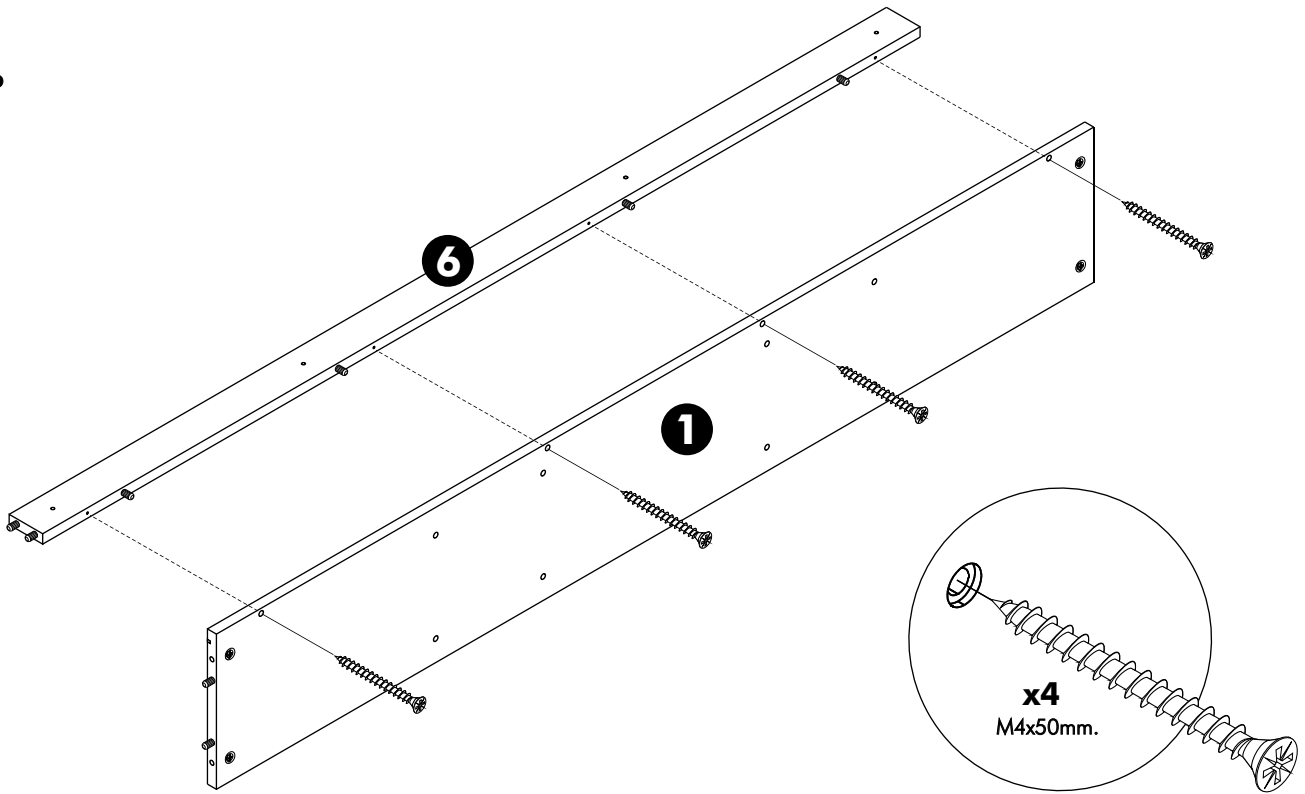
1.



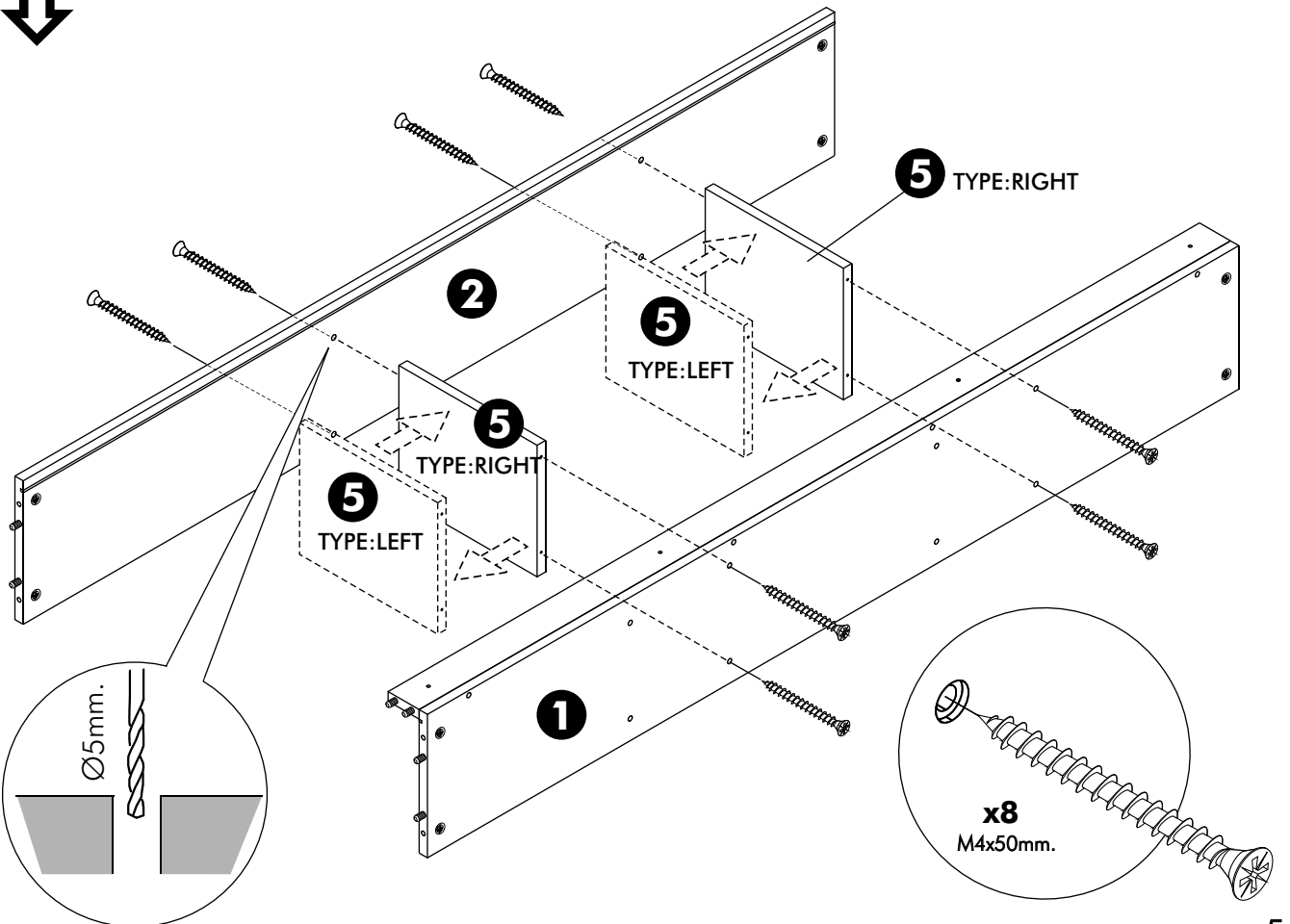
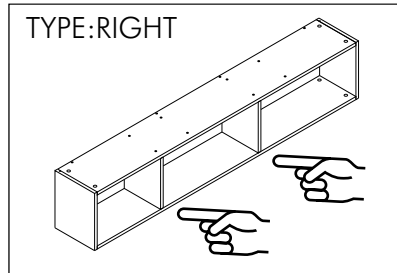
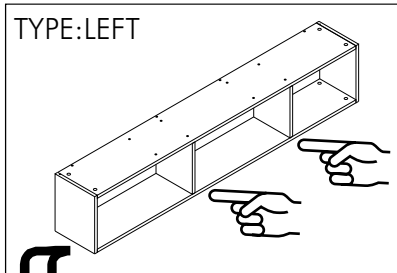
2.



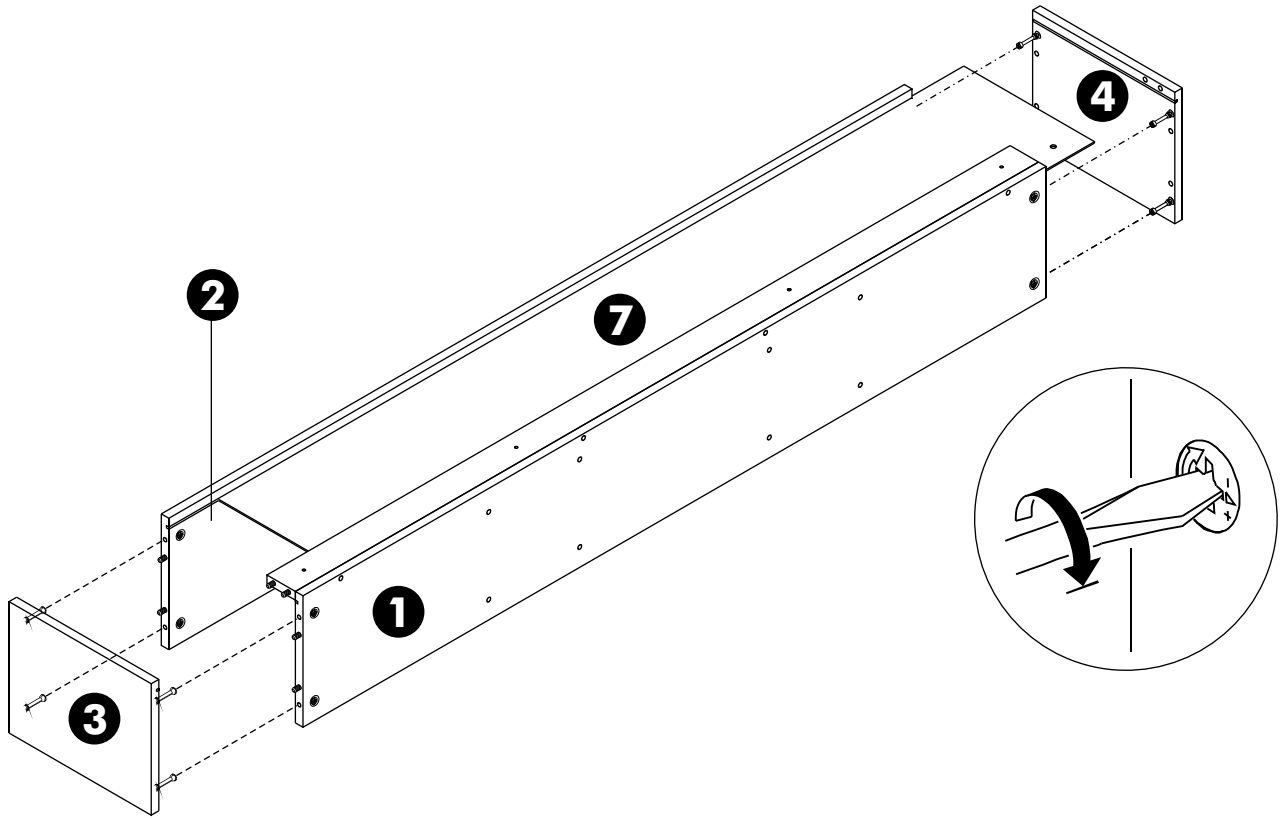
3.



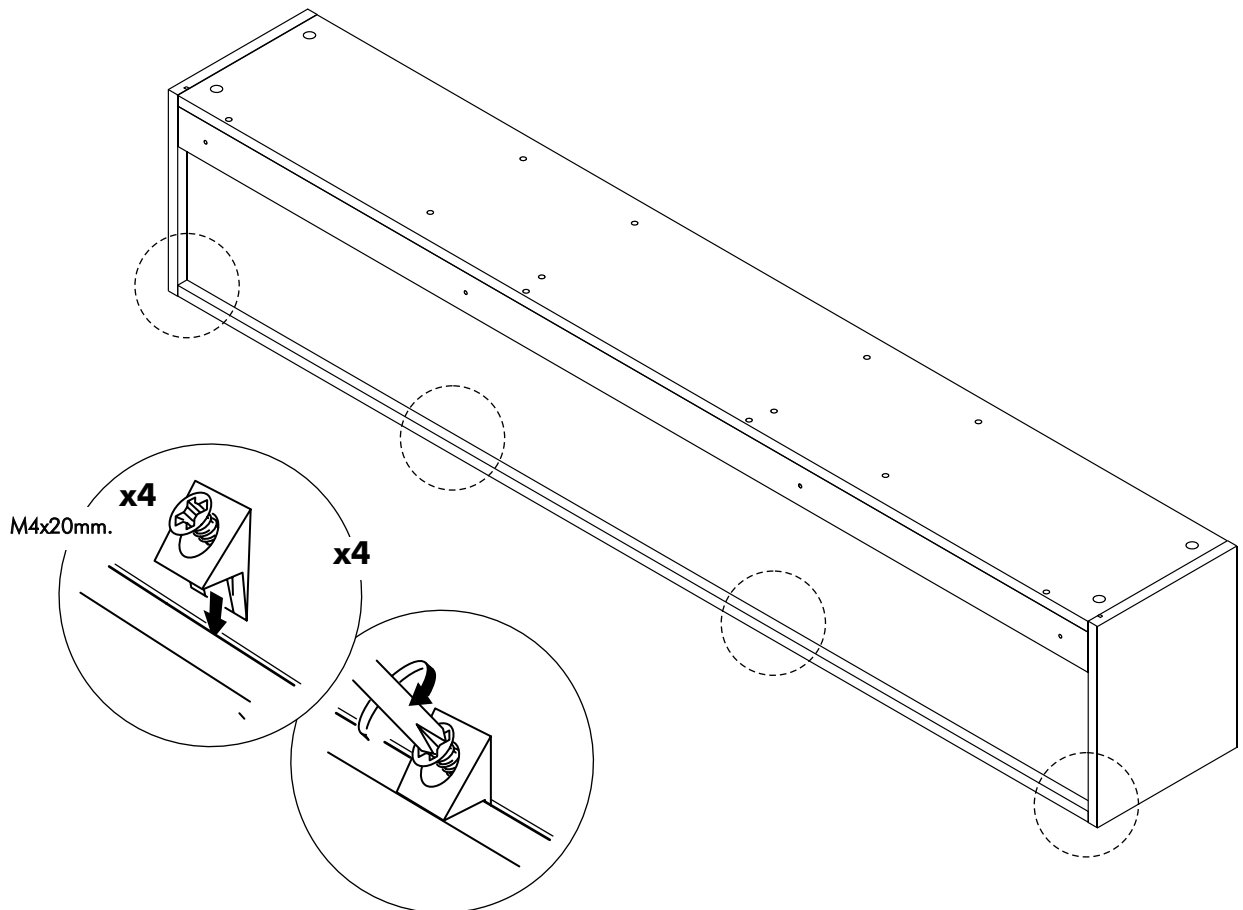
4.



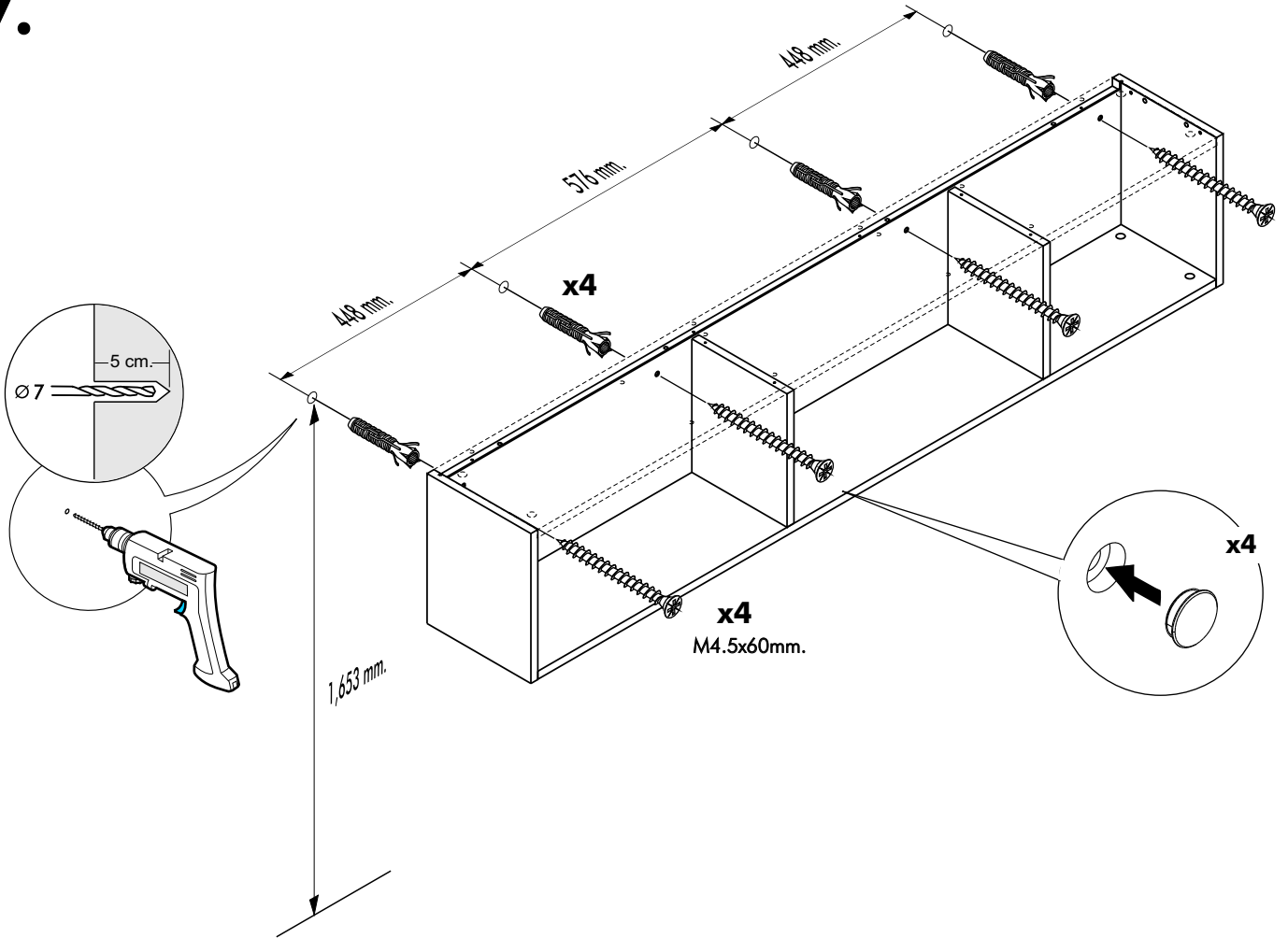
5.



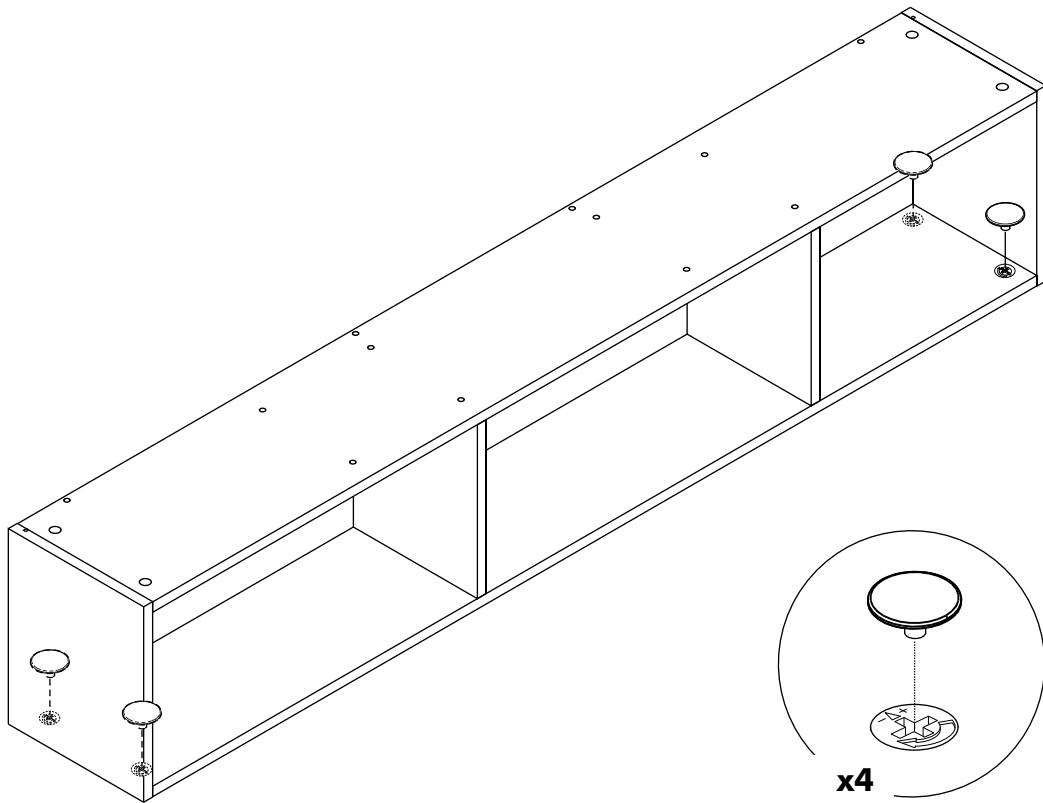
6.



7.



8.



9.

