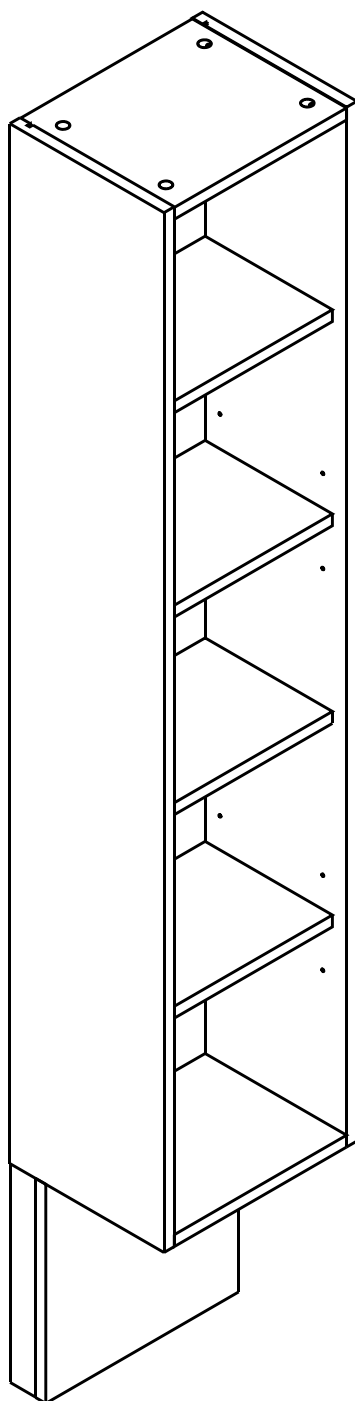


# URBANO

Wall shelf 30 cm.



# CONNECT SYSTEM

**1**

**3**

**2**

(Connecting bolts)

**WHEN FITTING CAMS**  
 ENSURE STARTING POSITION IS CORRECT  
 BEFORE YOU INSERT CONNECTING BOLT  
 TURN CLOCKWISE UNTIL SECURE

↑  
CORRECT

WRONG

**1 Pc.**

**2 Pcs.**

**3 Pcs.**

**4 Pcs.**

M4x16mm.

**i**

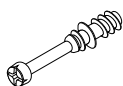
40mm.

---

EQ

# HARDWARE

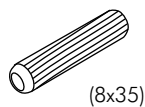
-BODY SET



**X 12**



**X 12**



(8x35)

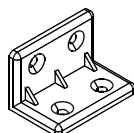
**X 29**



**X 8**



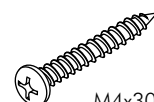
**X 5**



**X 2**



**X 4**



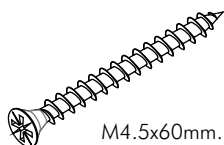
M4x30mm.

**X 12**



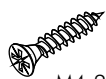
M4x16mm.

**X 12**



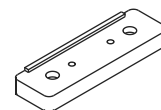
M4.5x60mm.

**X 4**



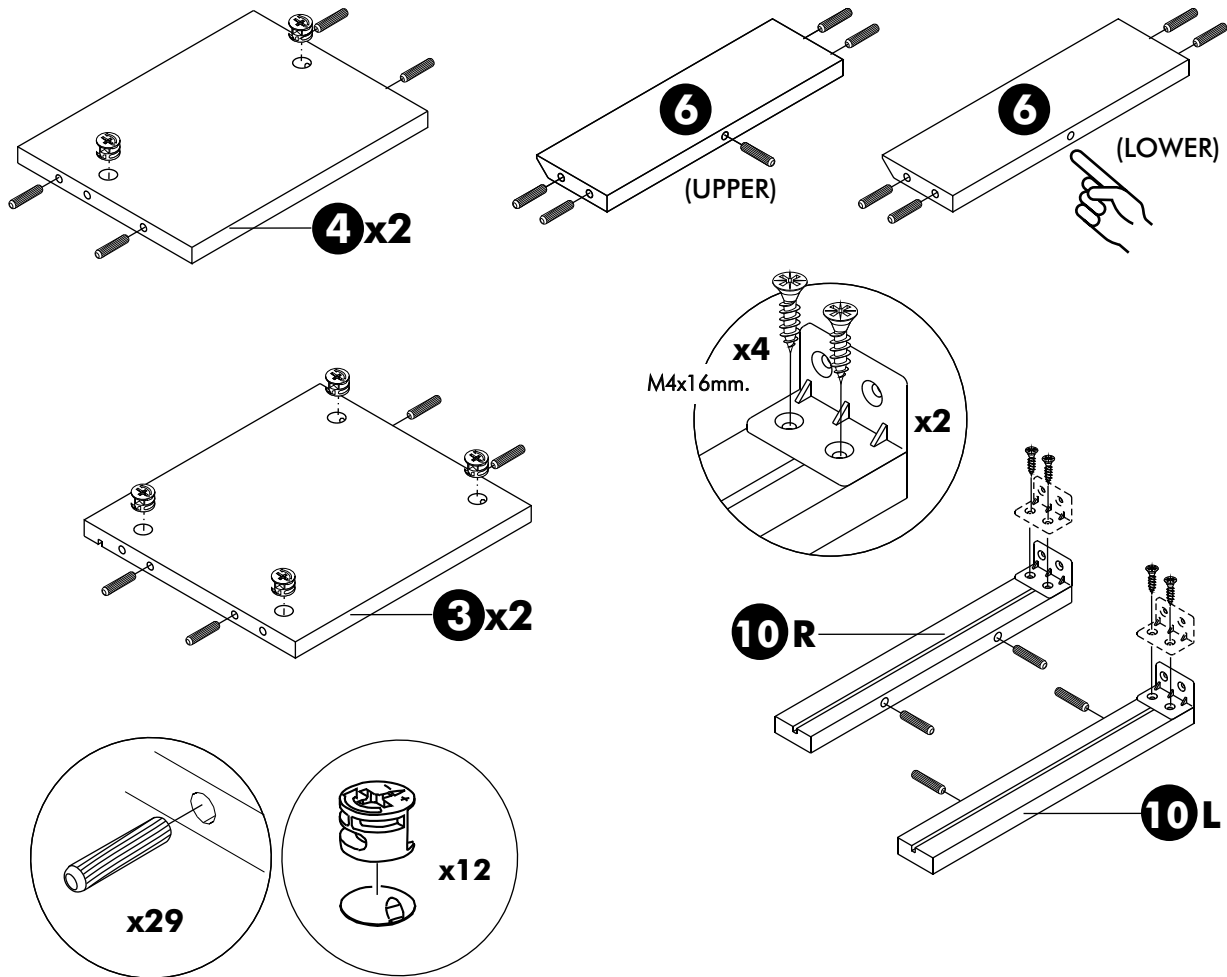
M4x20mm.

**X 5**

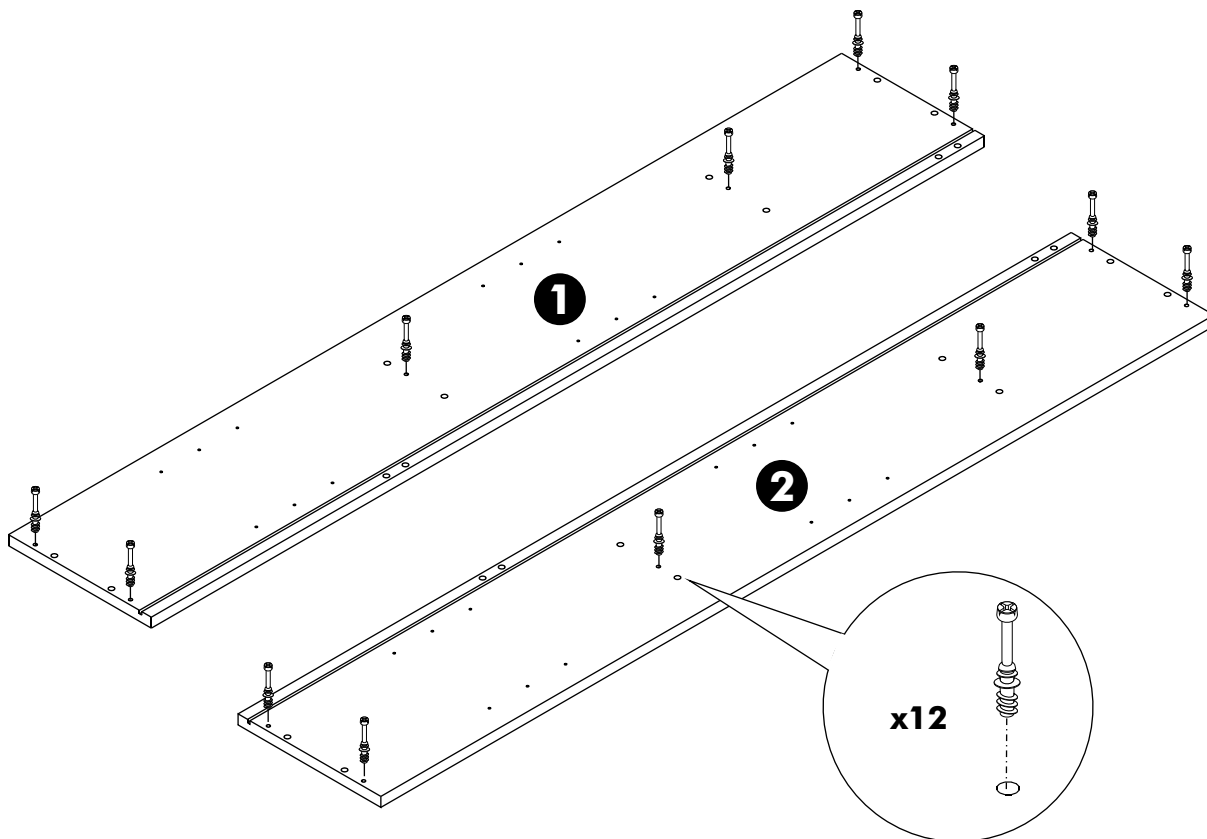


**X 2**

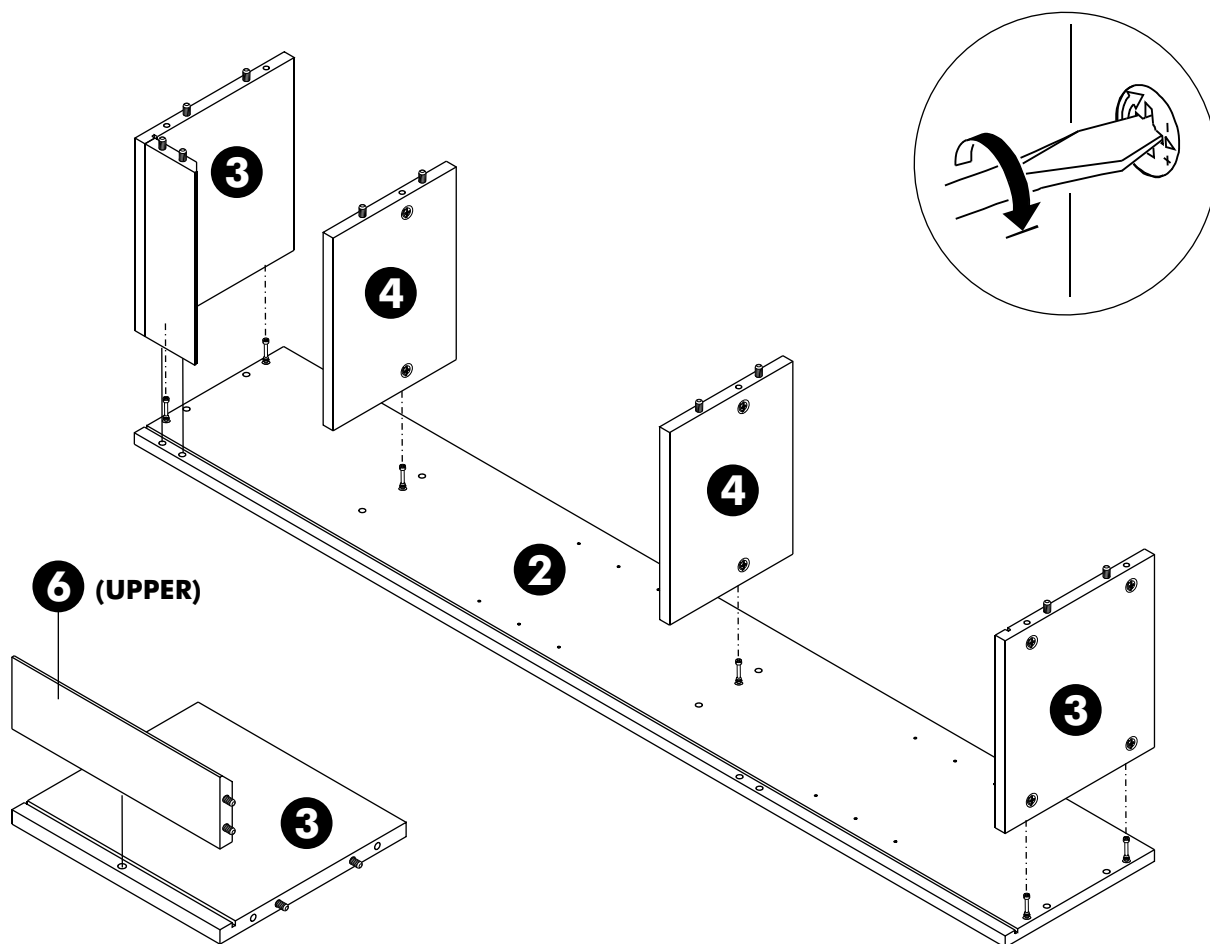
**1.**



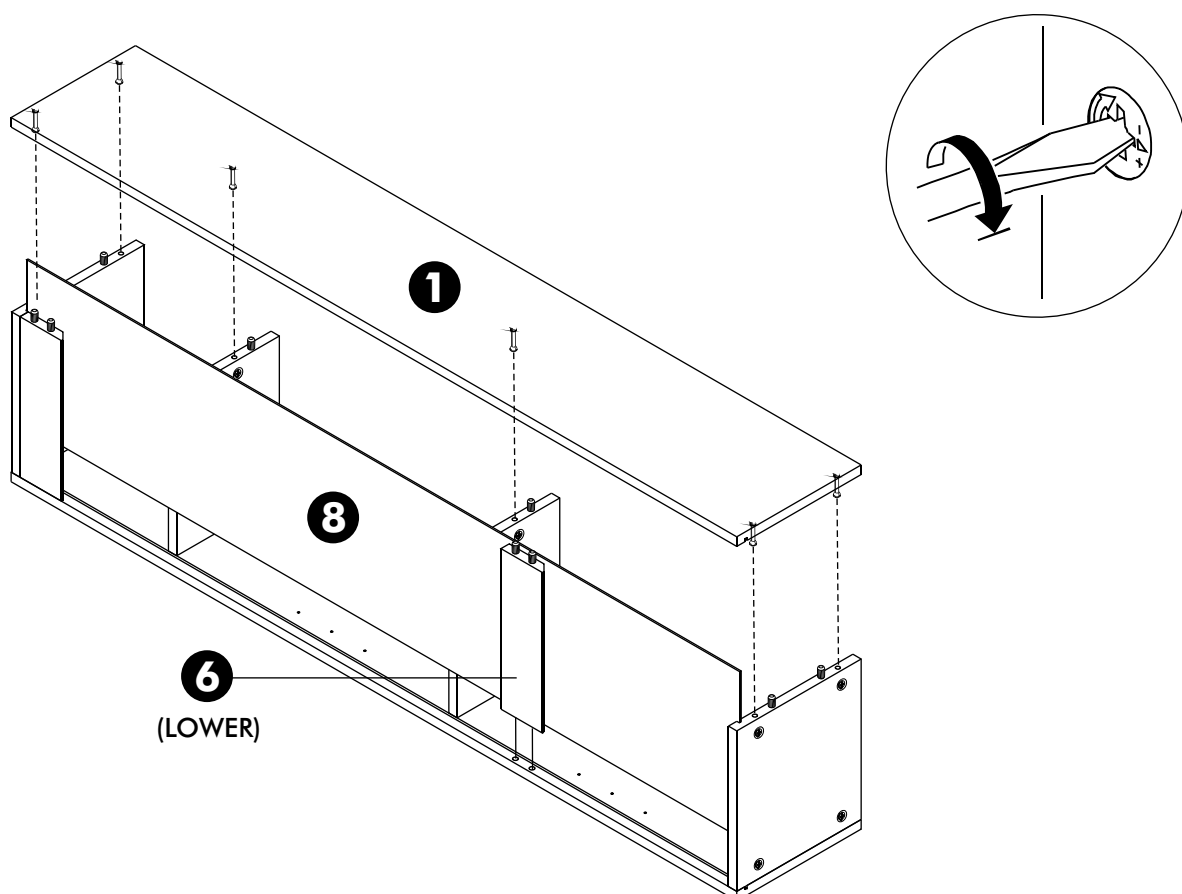
**2.**



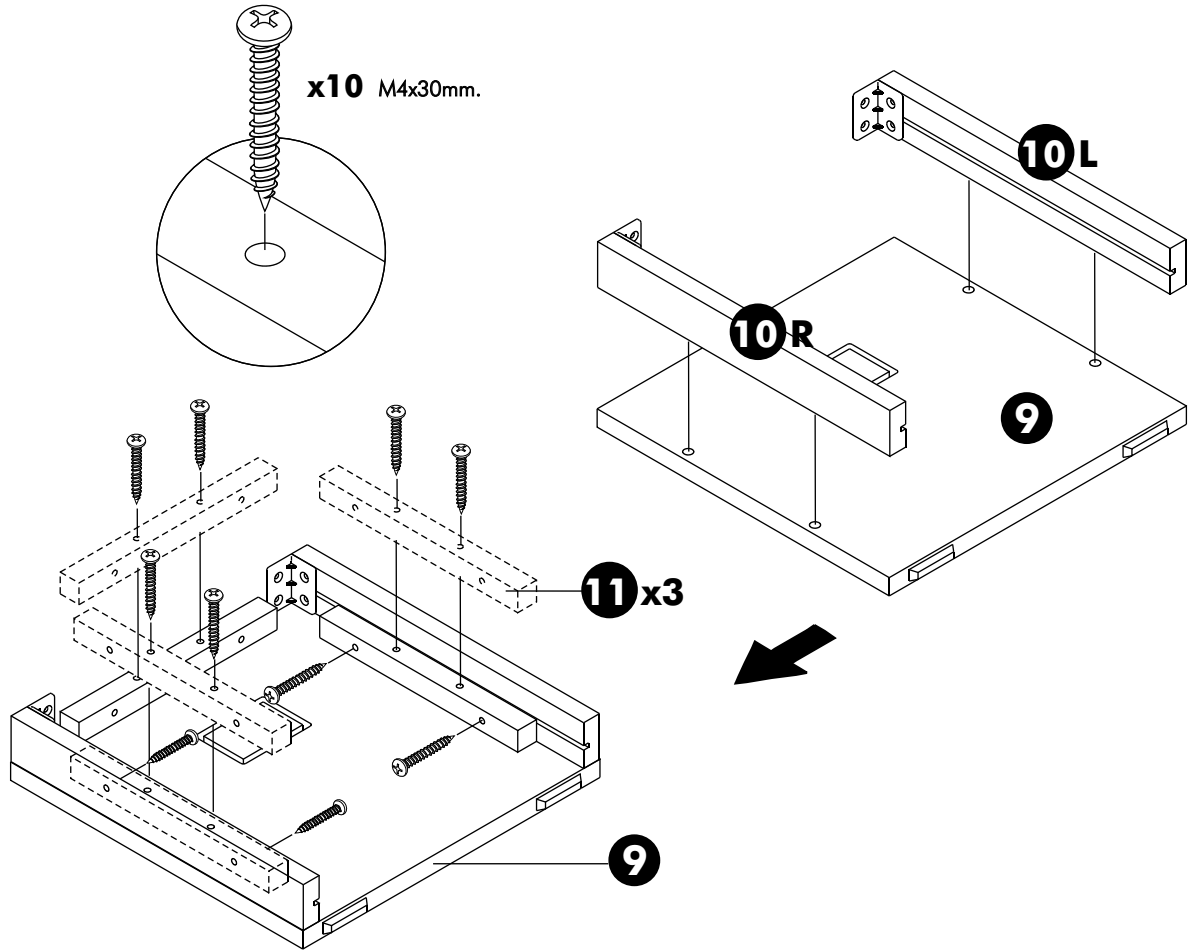
**3.**



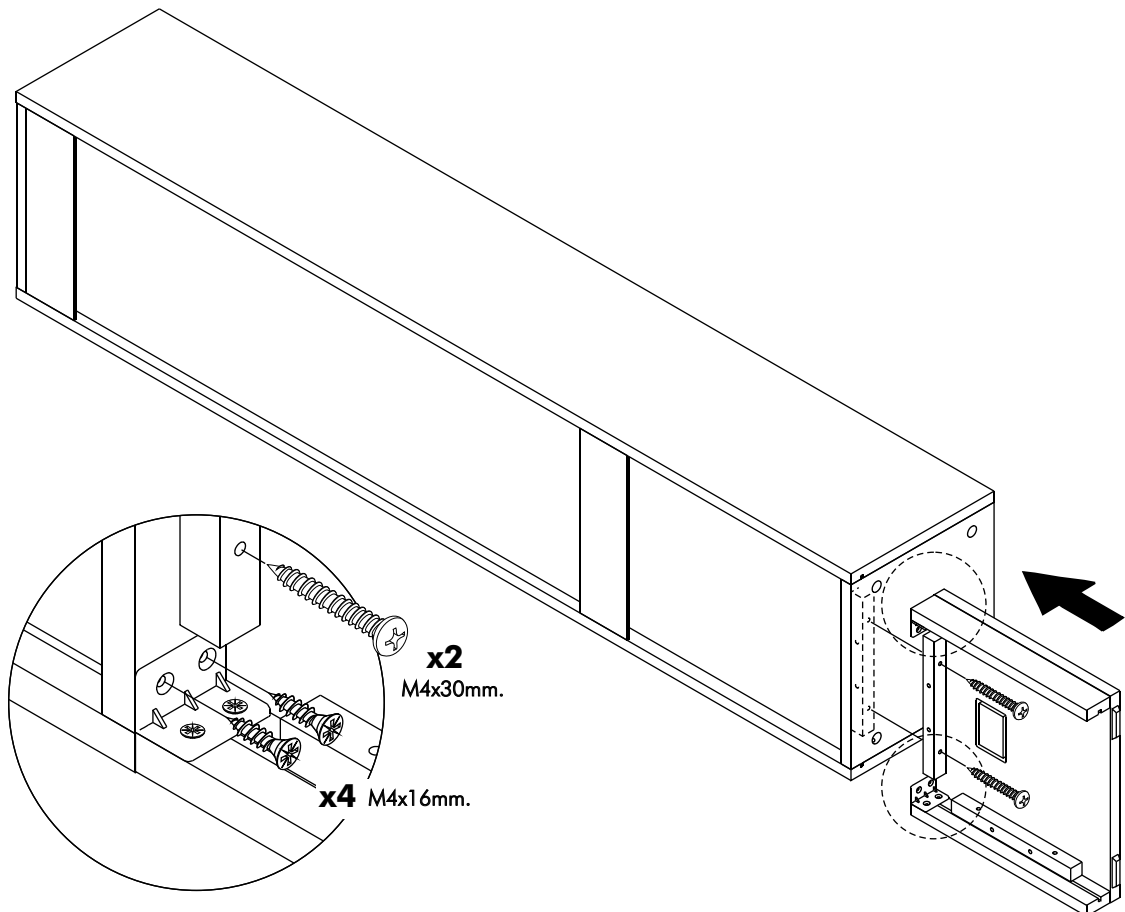
**4.**



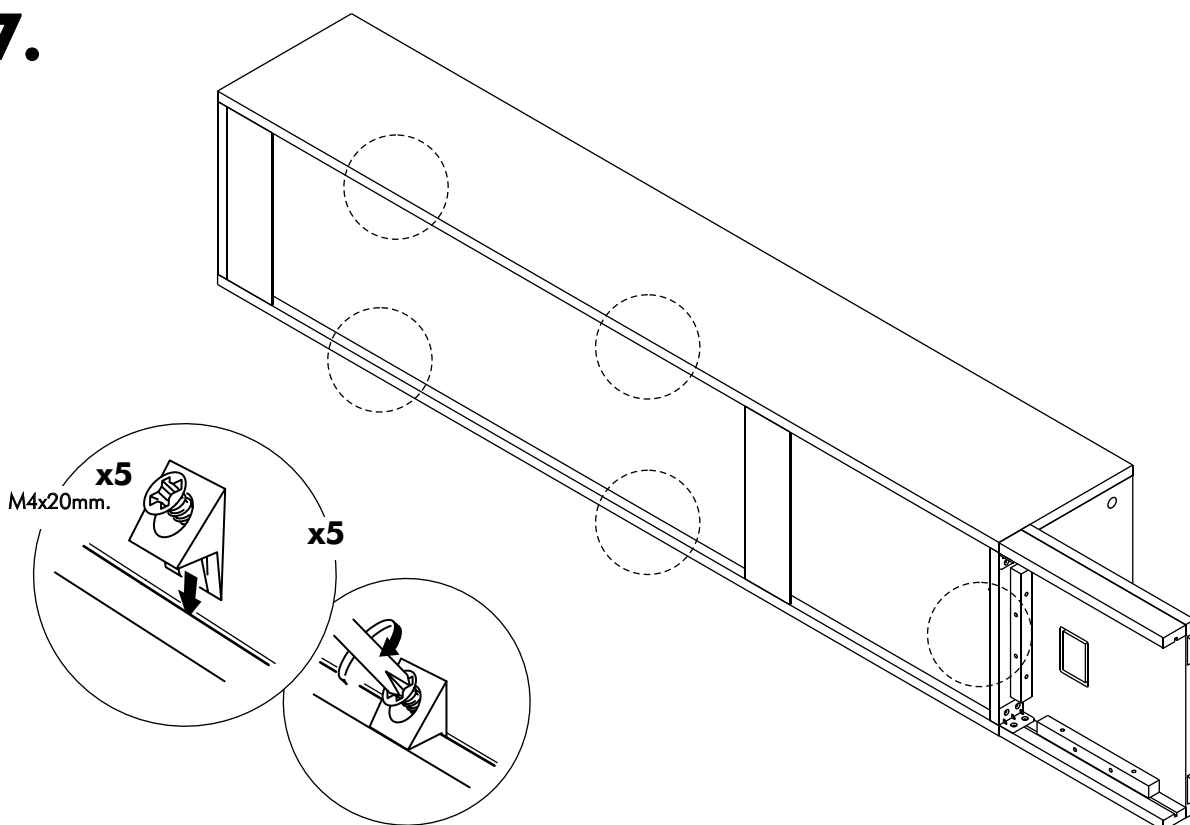
5.



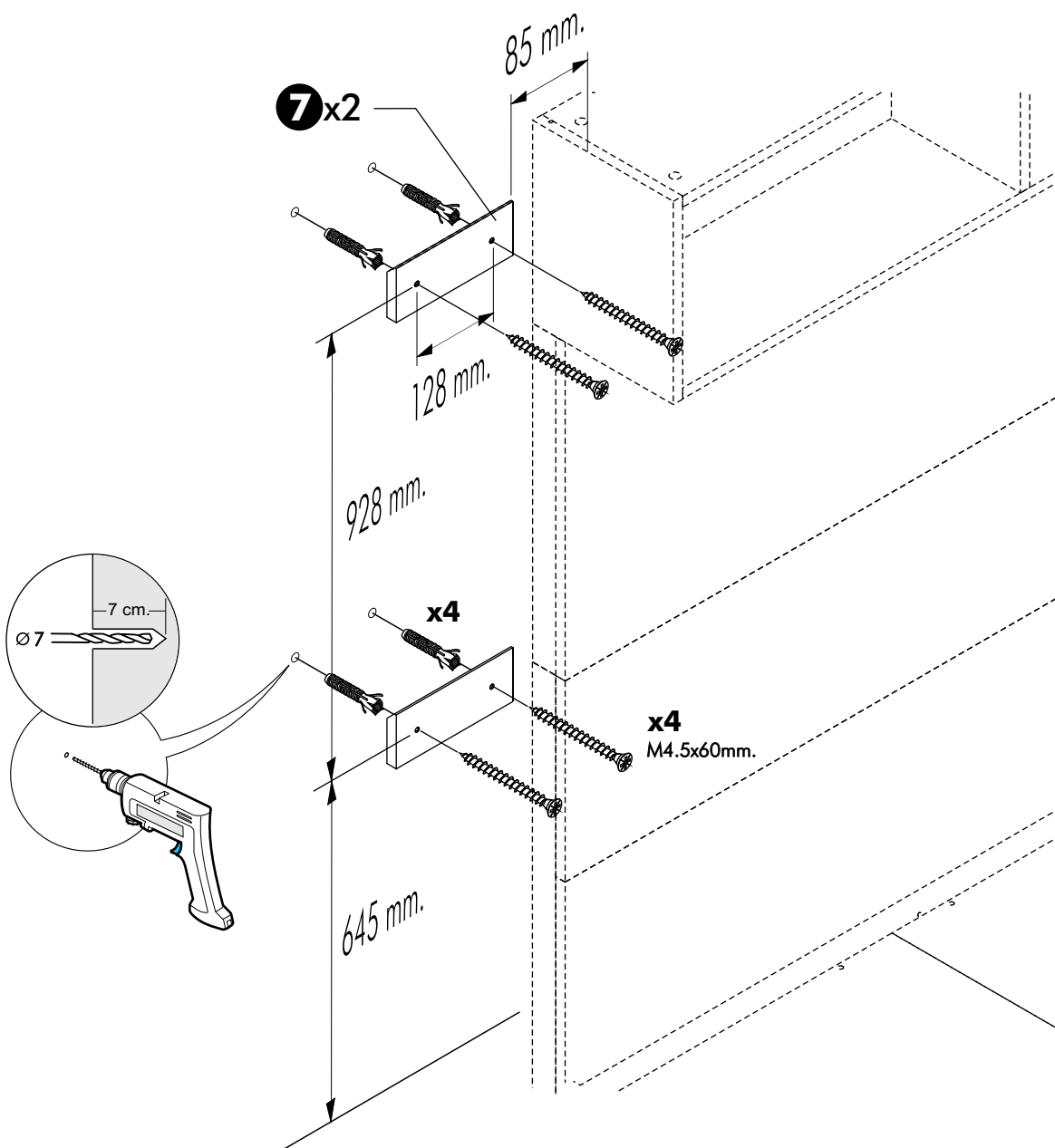
6.



**7.**



**8.**



9.

