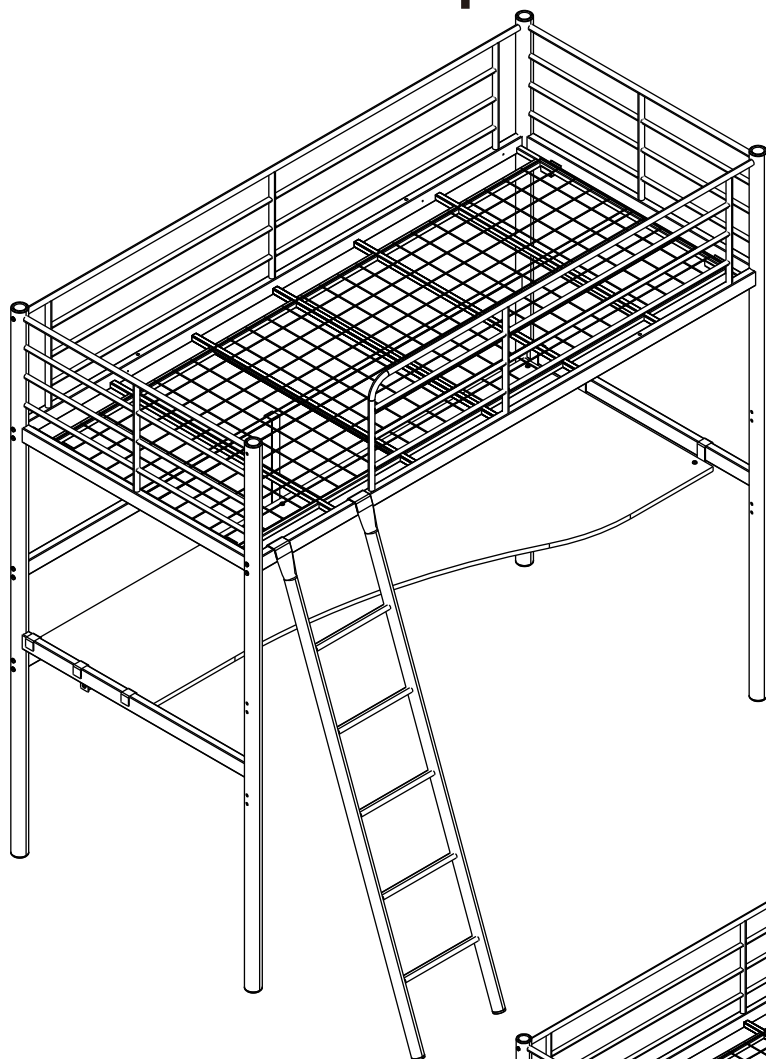


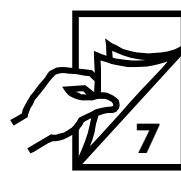
SIMBI

BED 3 ft.+Desk top

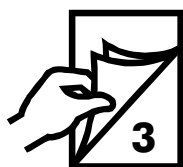


Left

TYPE B



TYPE A



Right

HARDWARE



#M6x80

x25



#8x5/8"(P)

x2



x25



#CAP11 mm.

x25



M6x13

x5



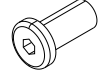
#M6x30

x2



#M4x35(F)

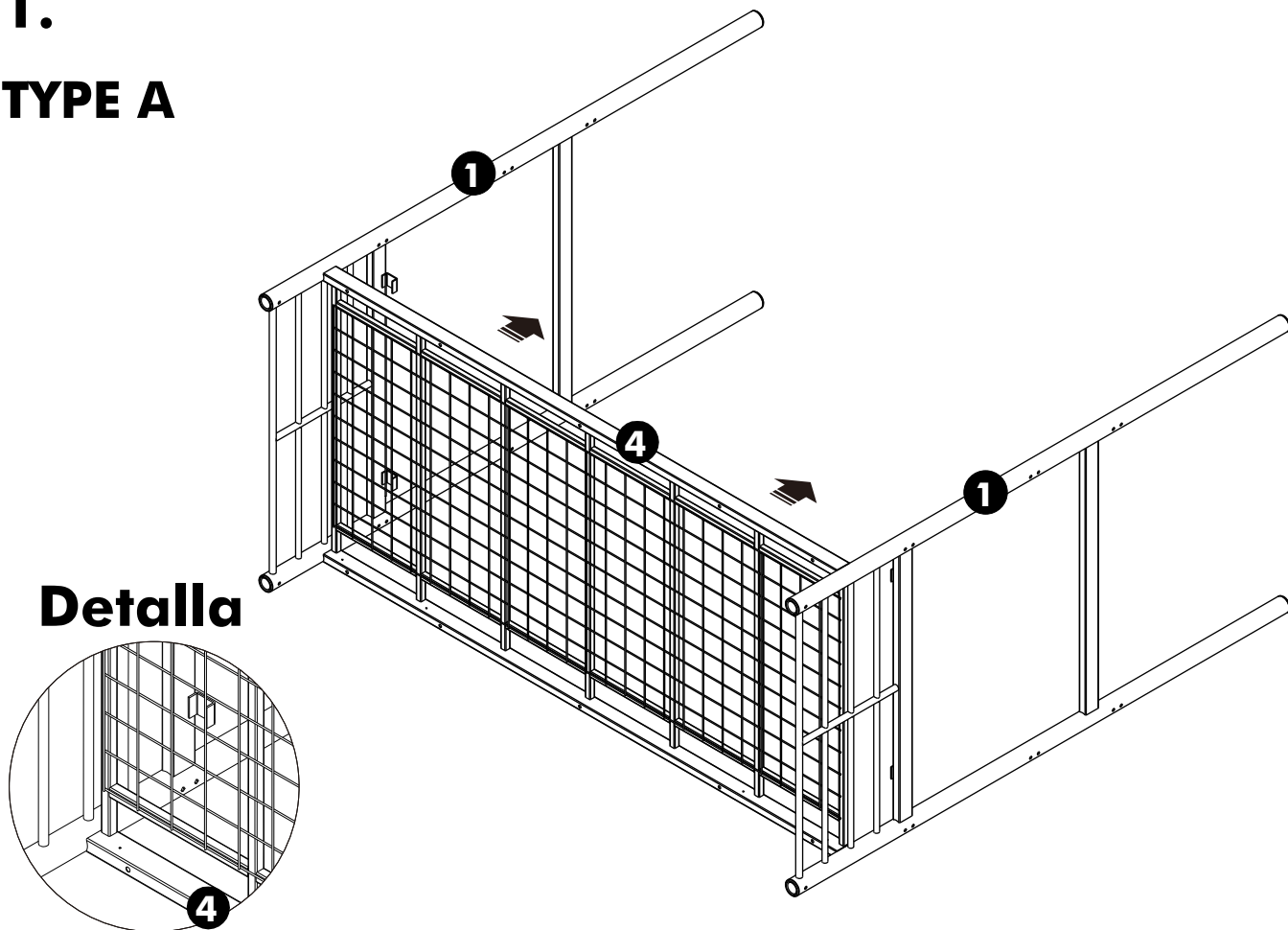
x3



x5

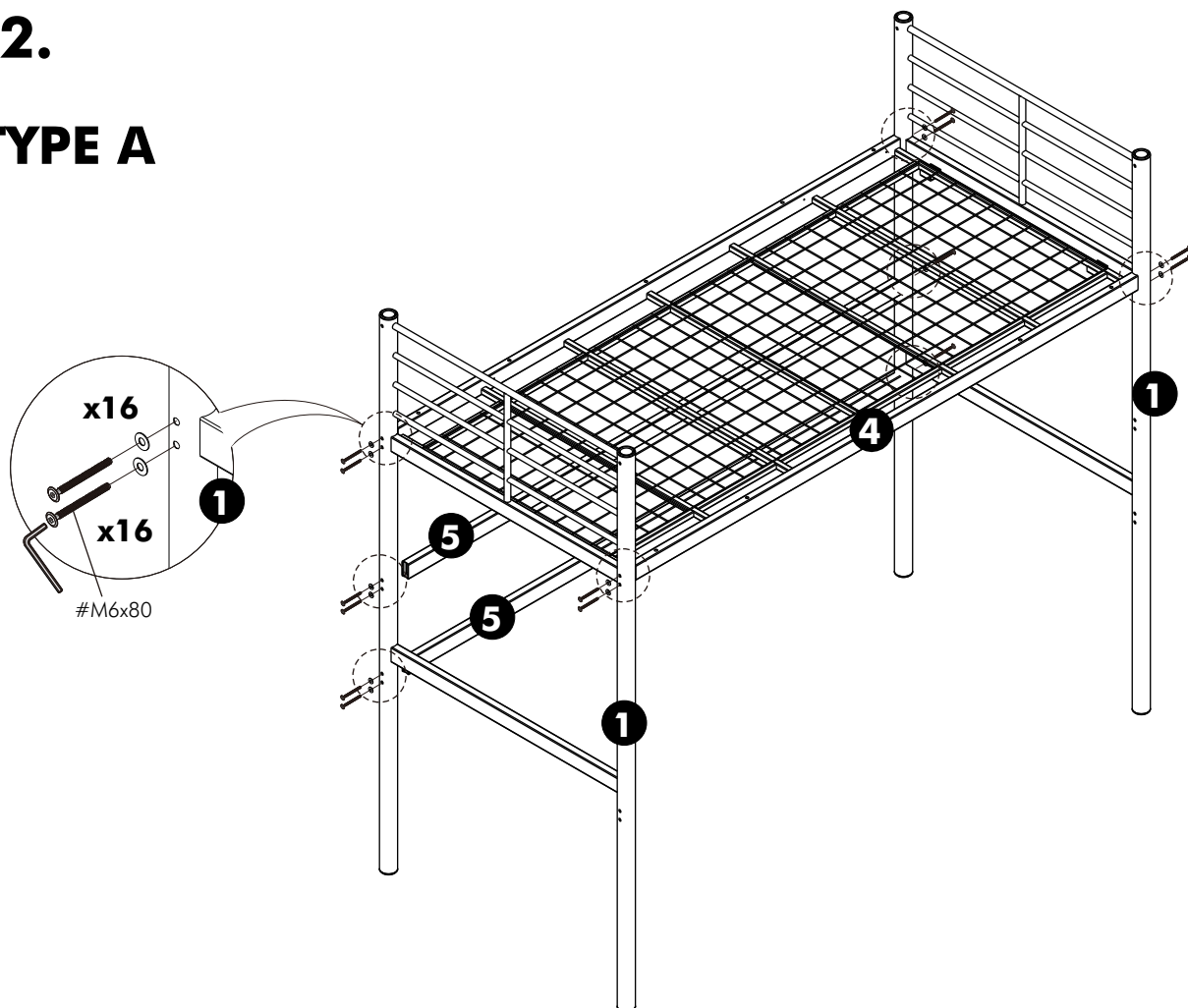
1.

TYPE A



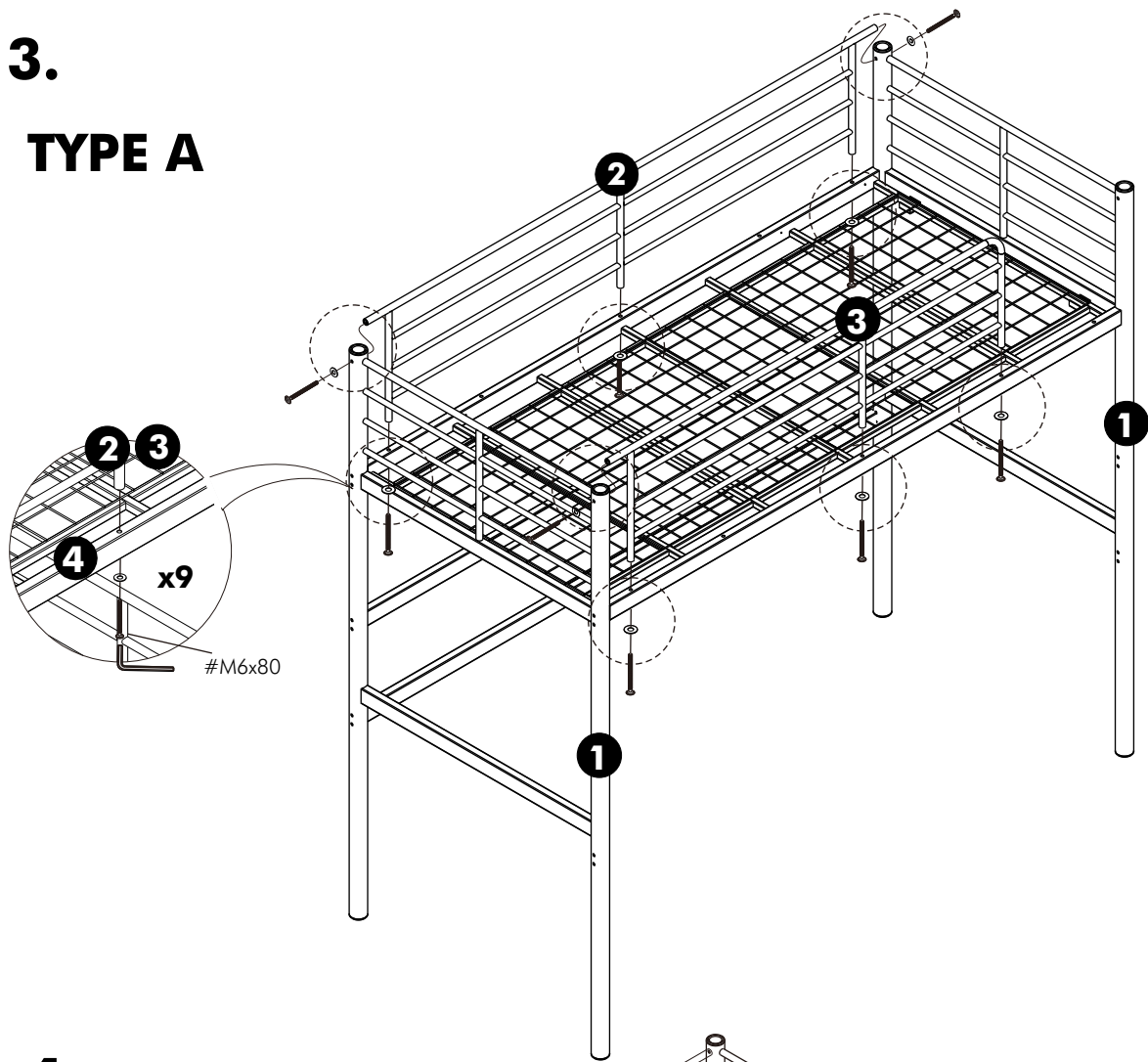
2.

TYPE A



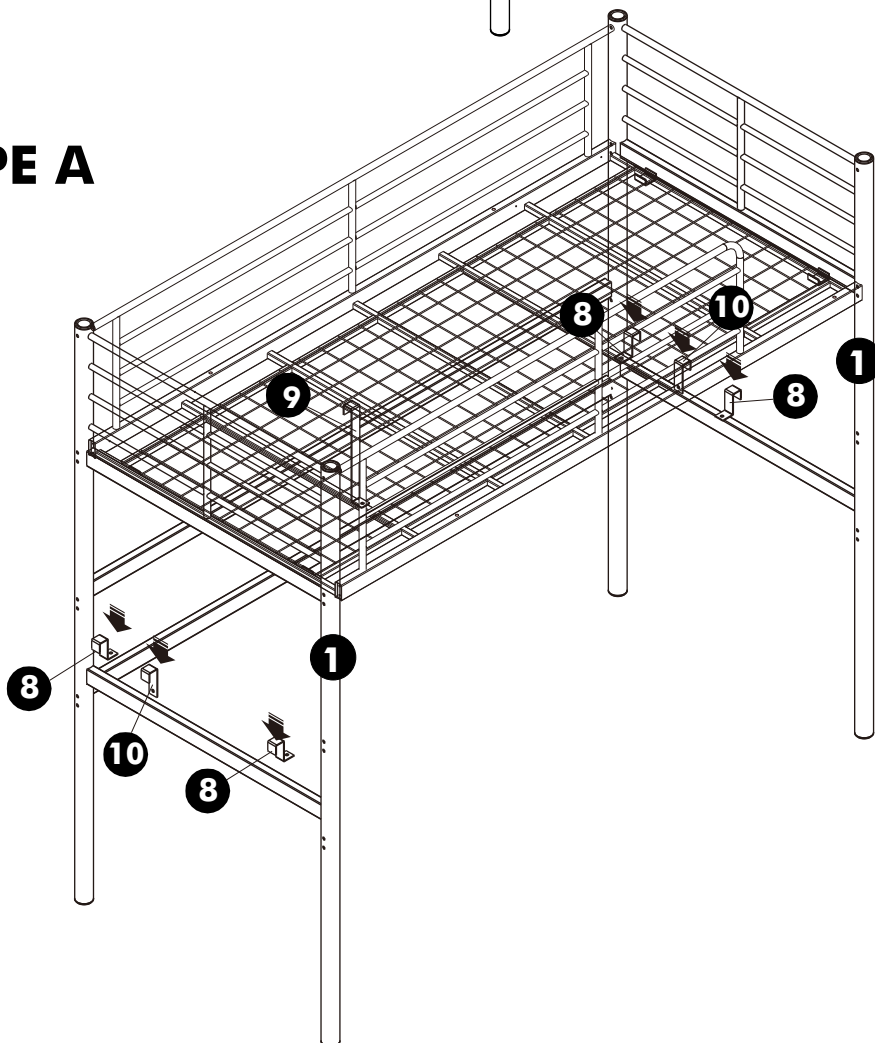
3.

TYPE A

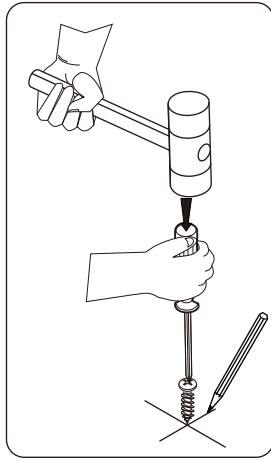


4.

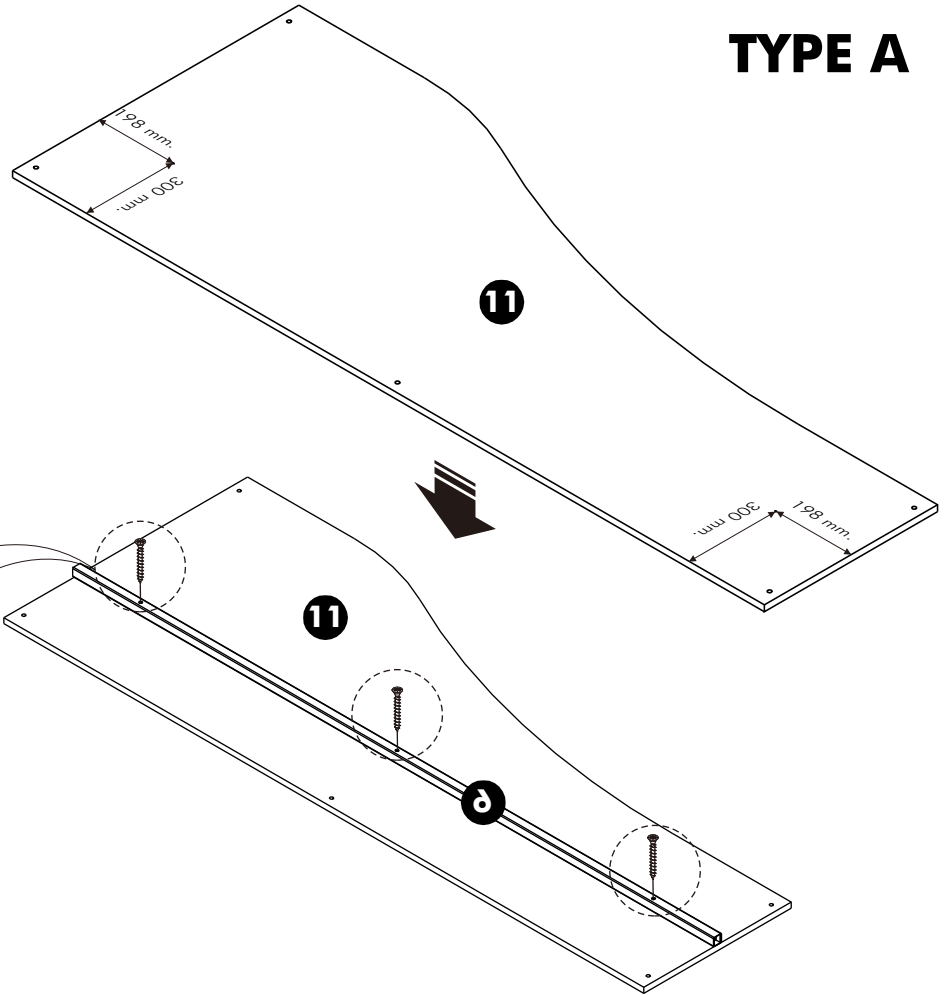
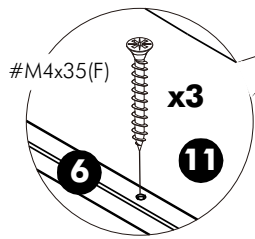
TYPE A



5.

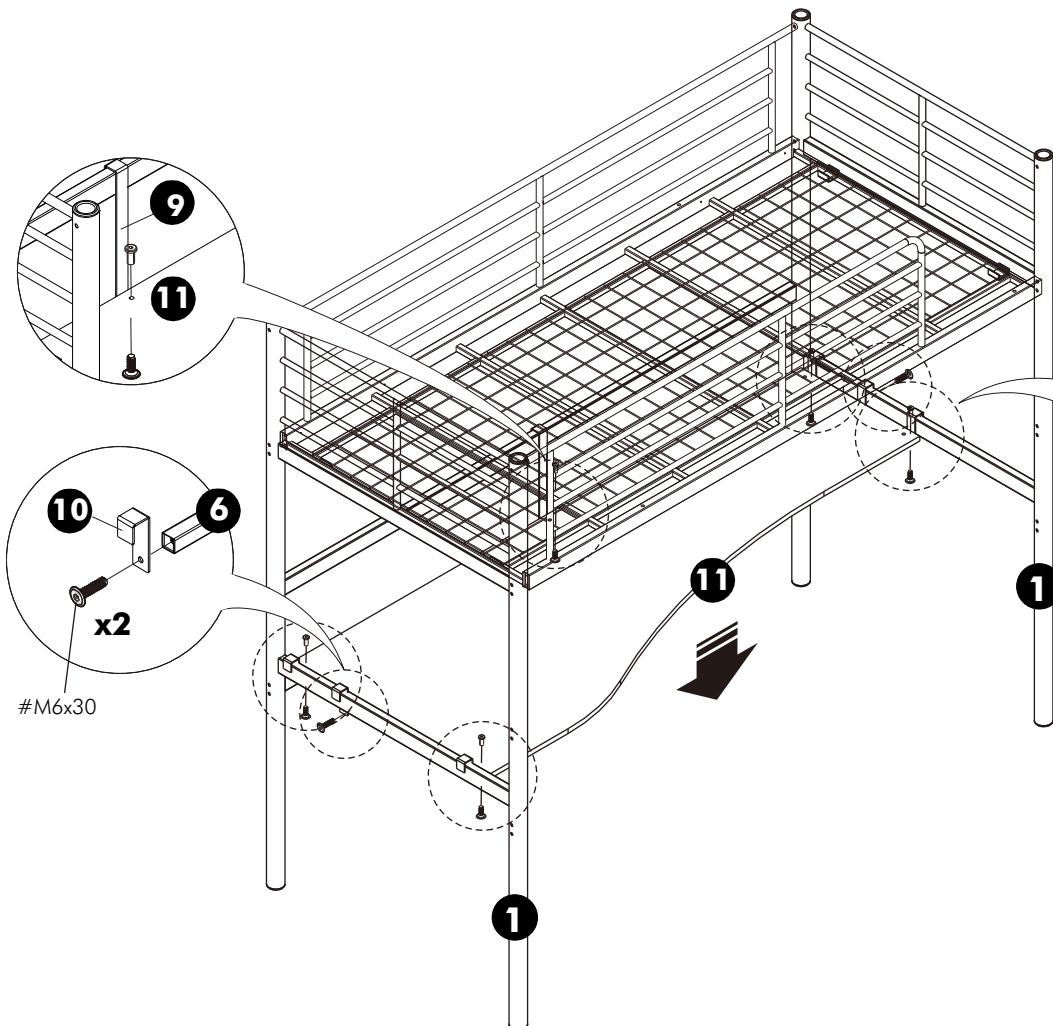
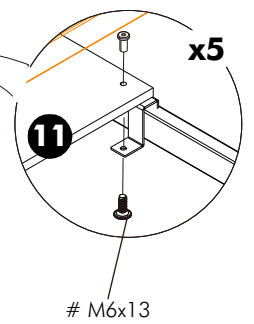
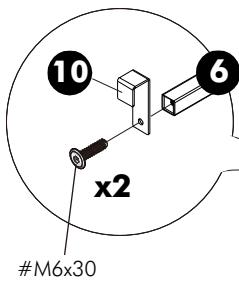
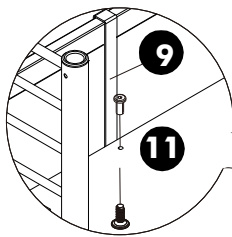


TYPE A

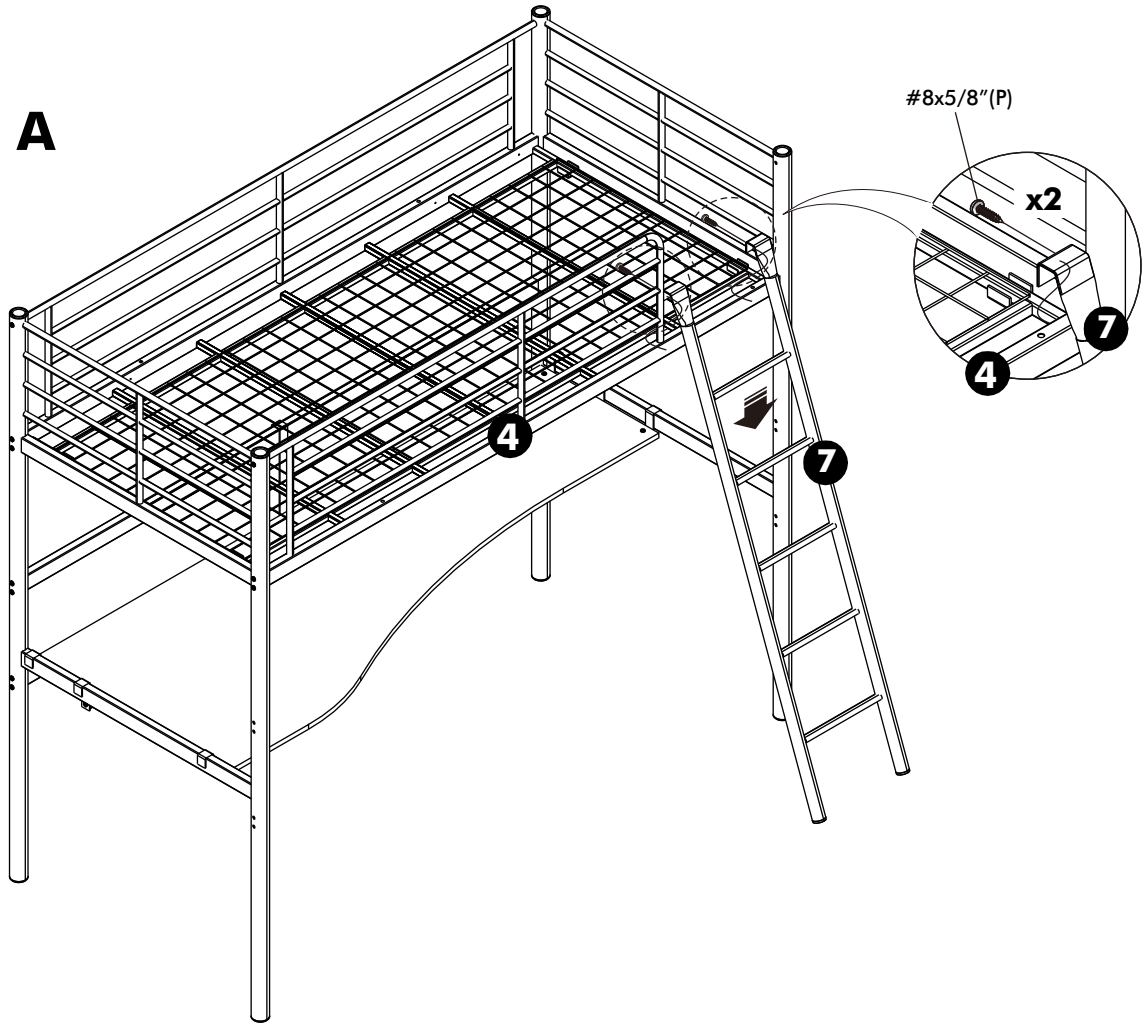


6.

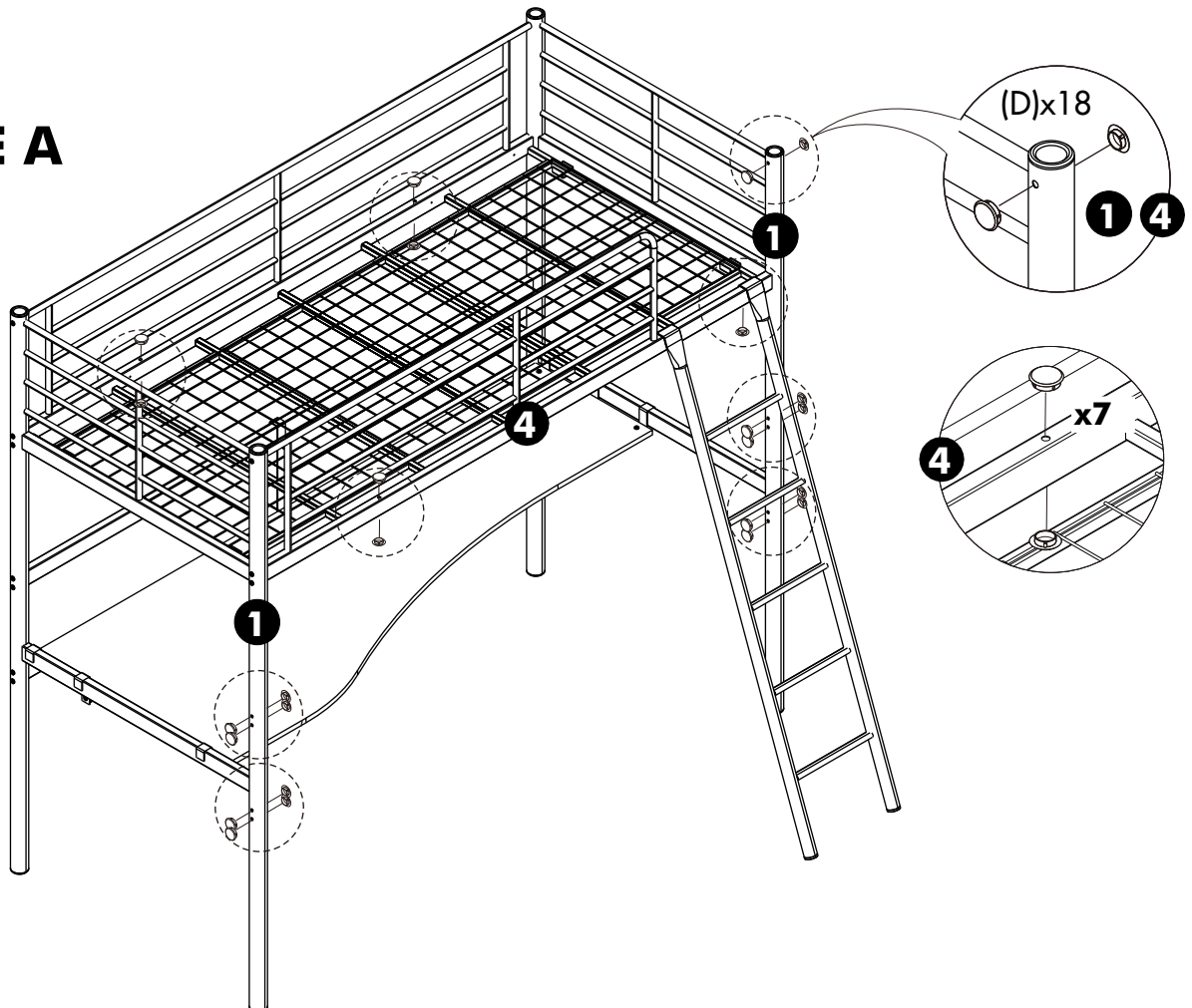
TYPE A



7. TYPE A

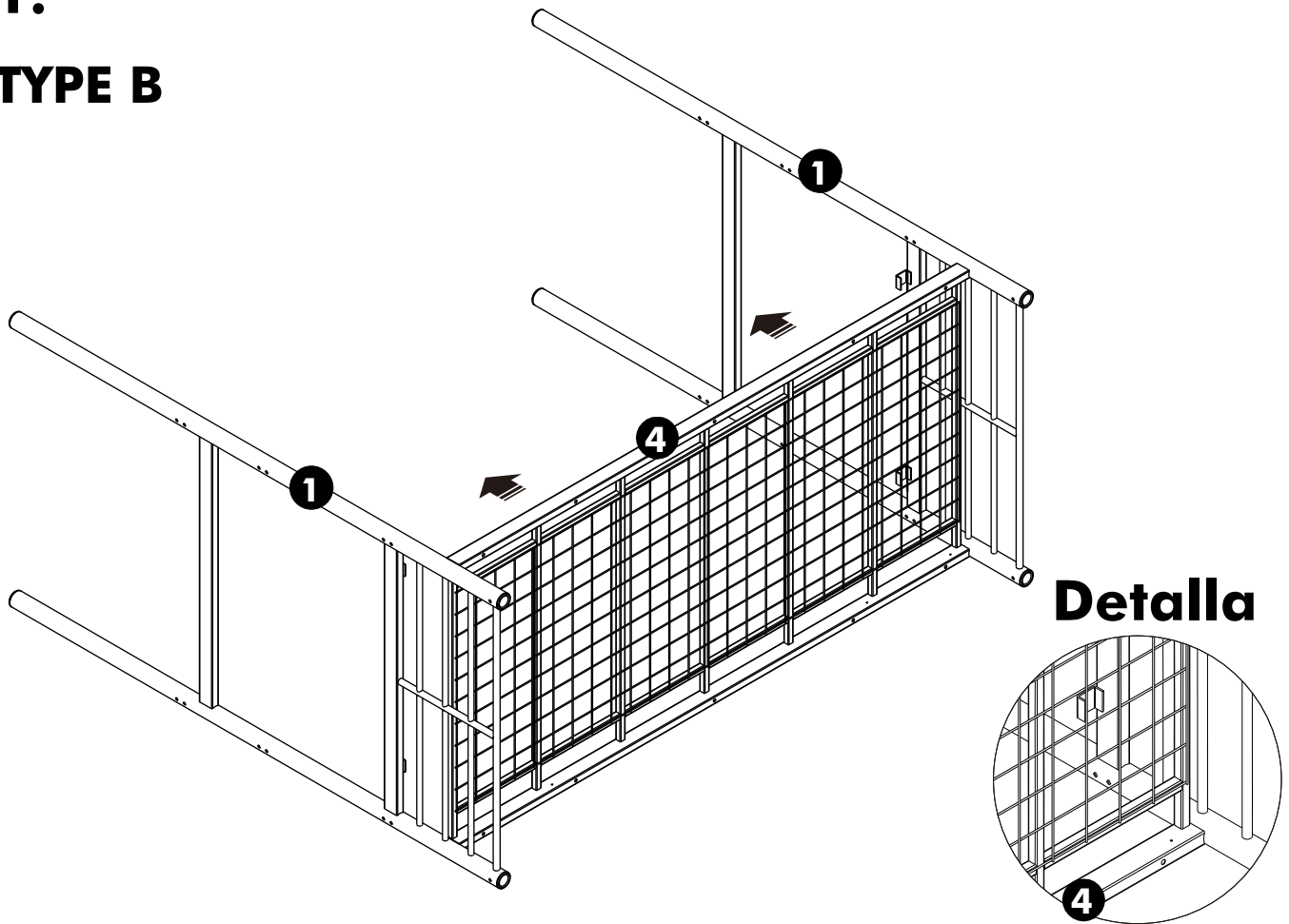


8. TYPE A



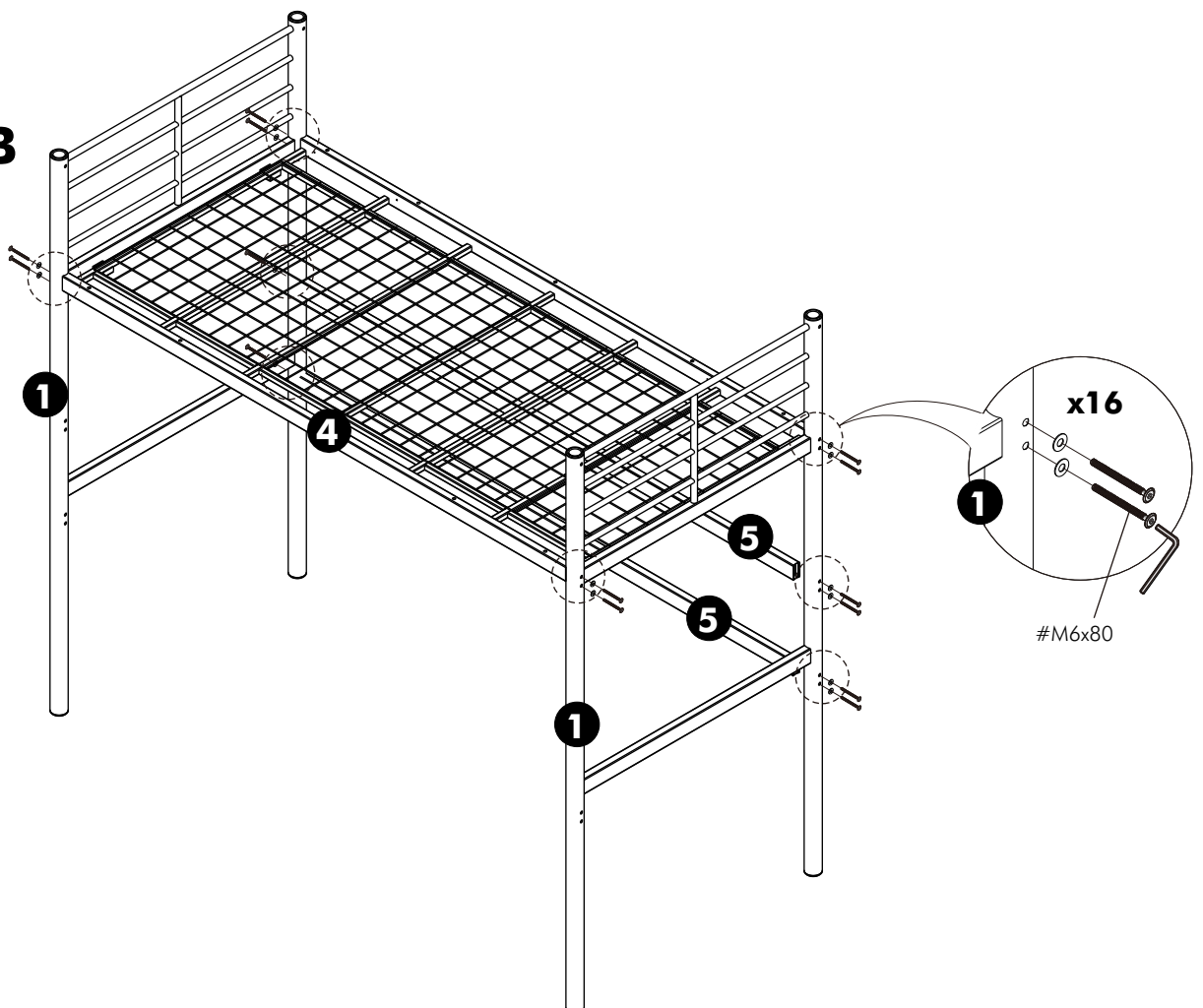
1.

TYPE B



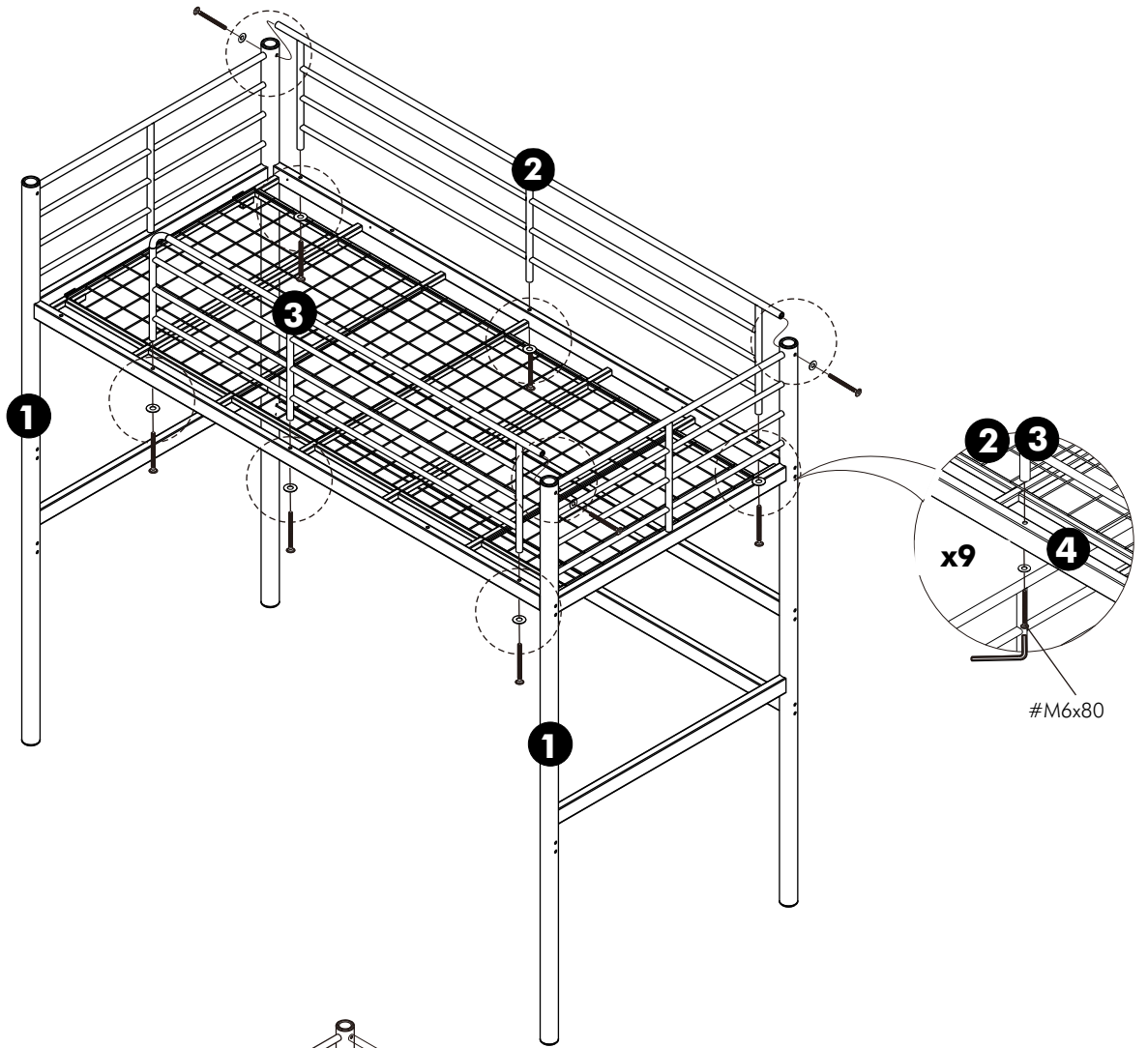
2.

TYPE B



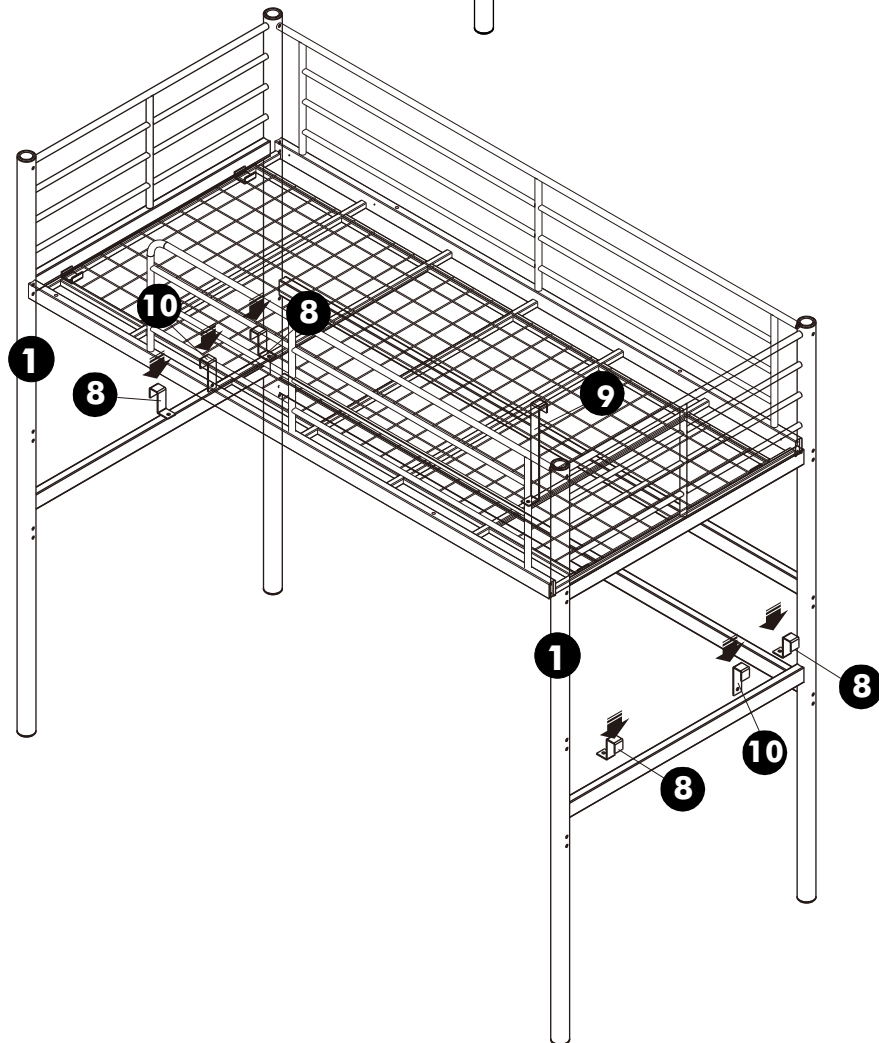
3.

TYPE B



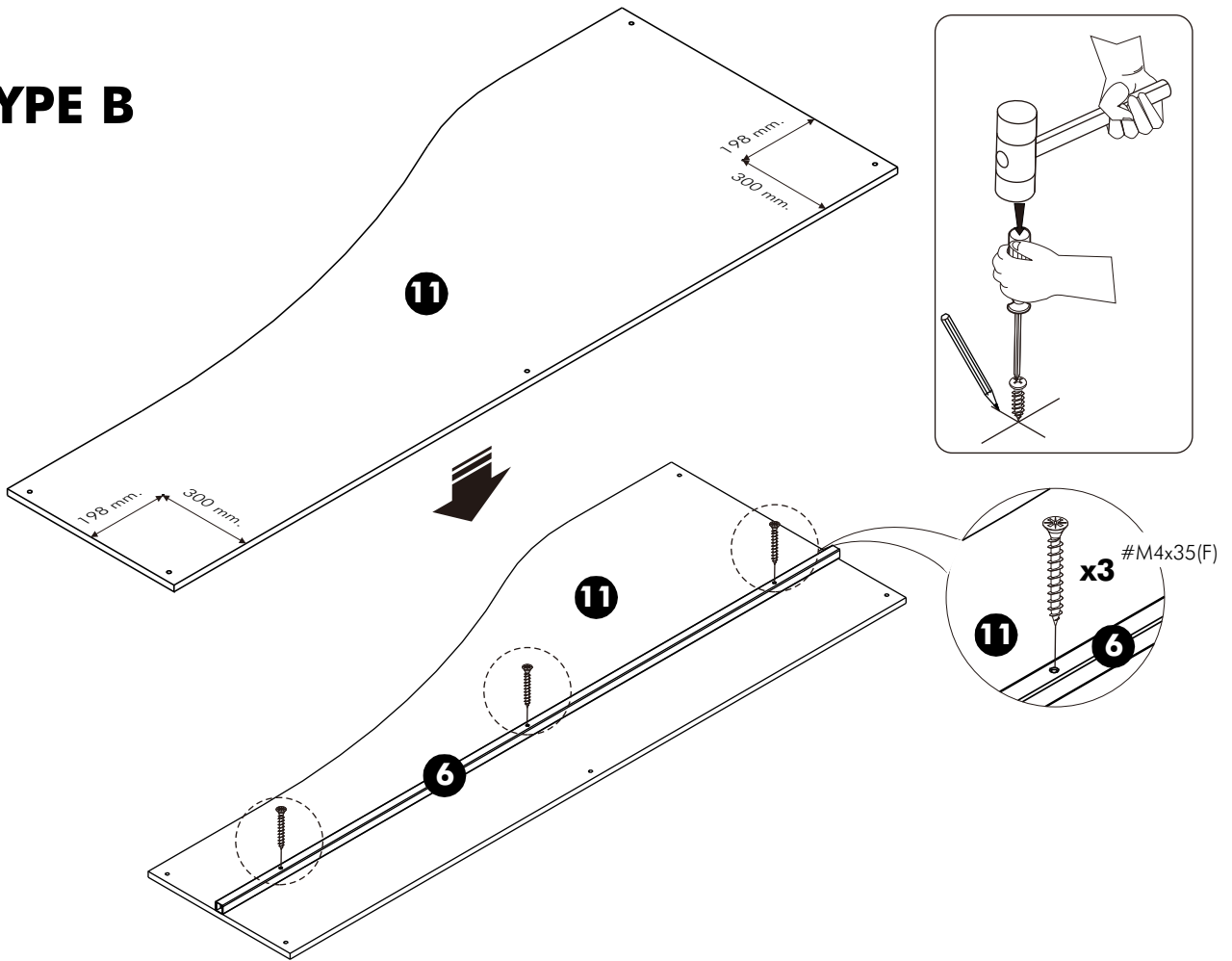
4.

TYPE B



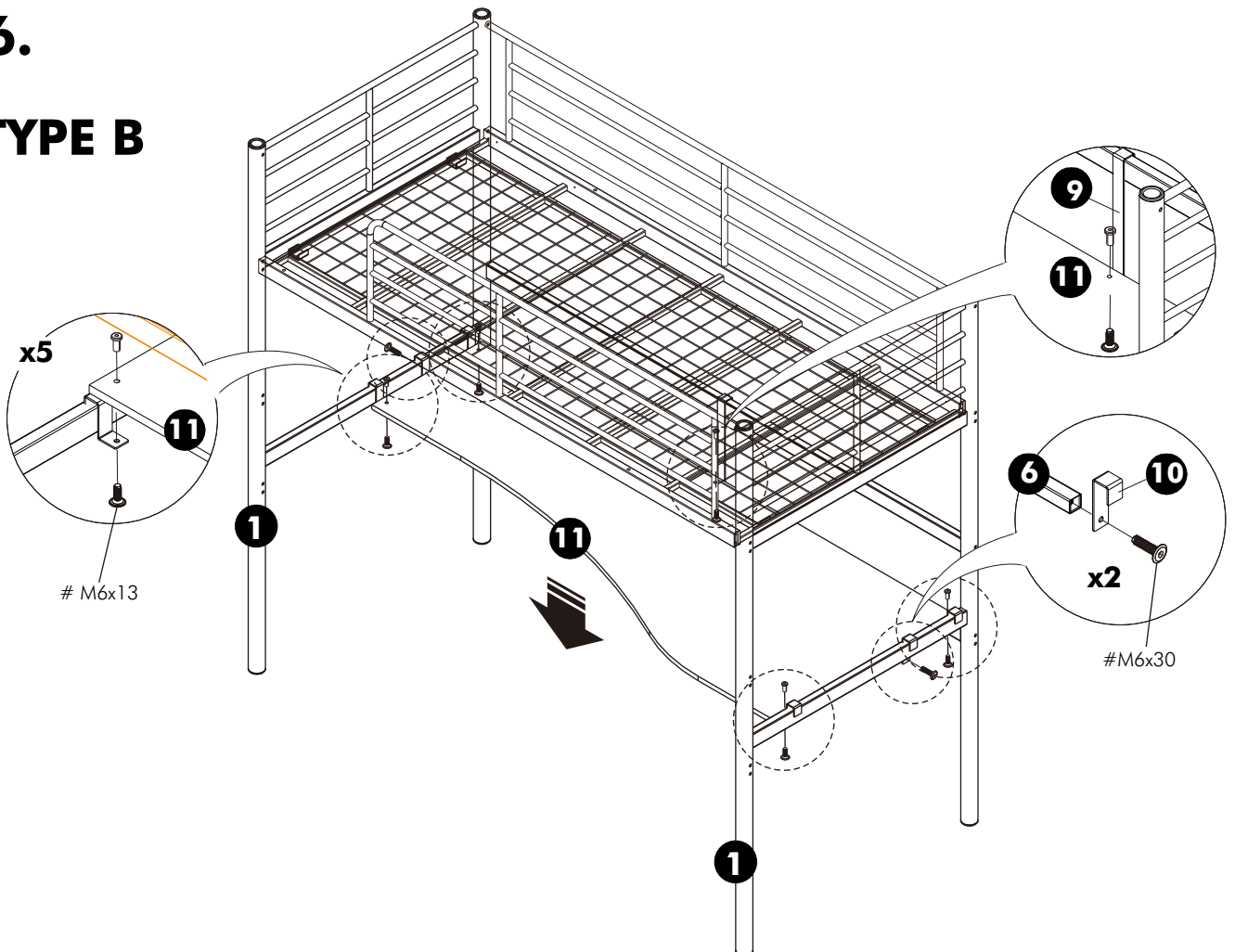
5.

TYPE B



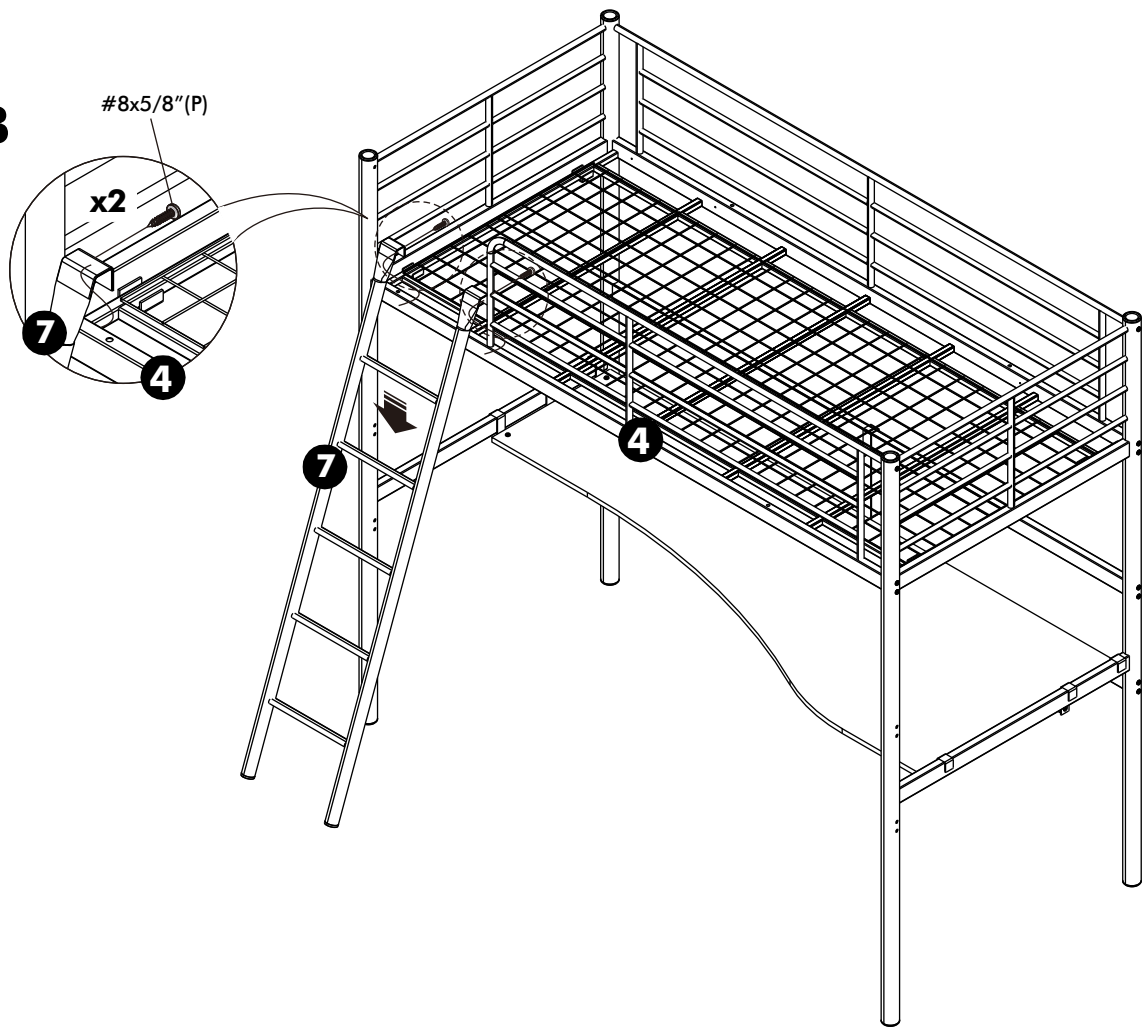
6.

TYPE B



7.

TYPE B



8.

TYPE B

