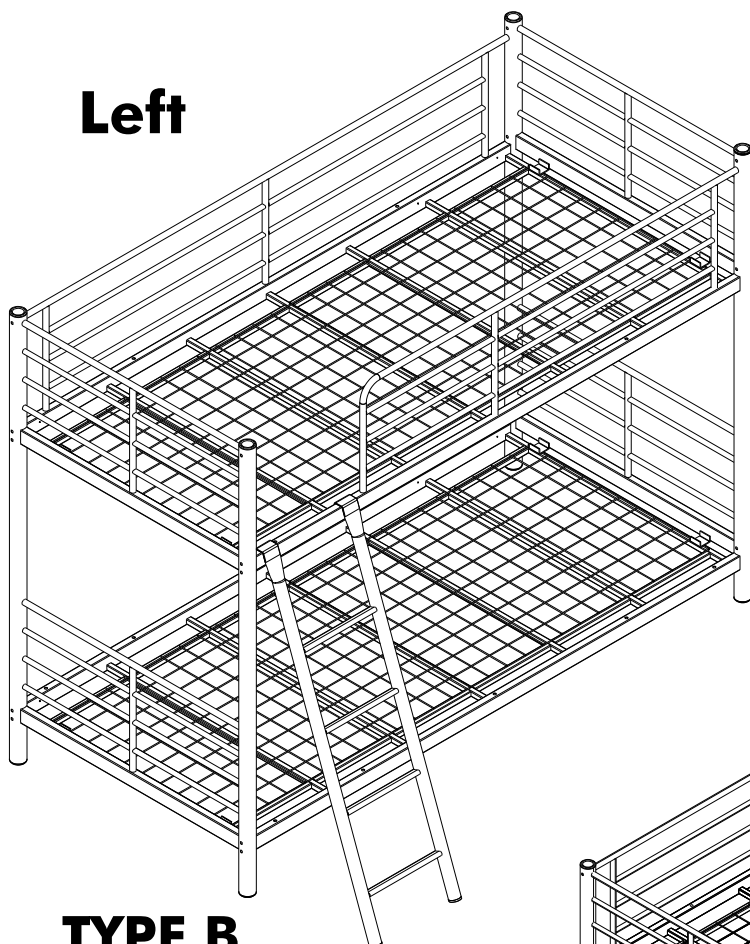


# SIMBI

Bunk bed 3 ft.

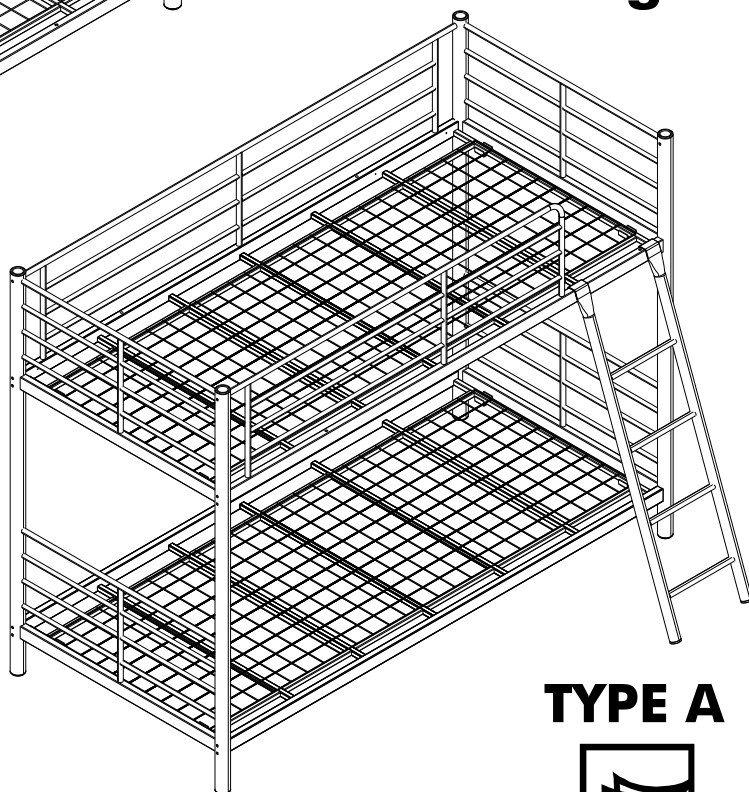
Left



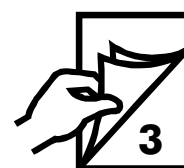
**TYPE B**



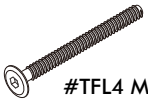
Right



**TYPE A**



# HARDWARE



#TFL4 M6x80

**x25**



#8x5/8"(P)

**x2**



**x25**

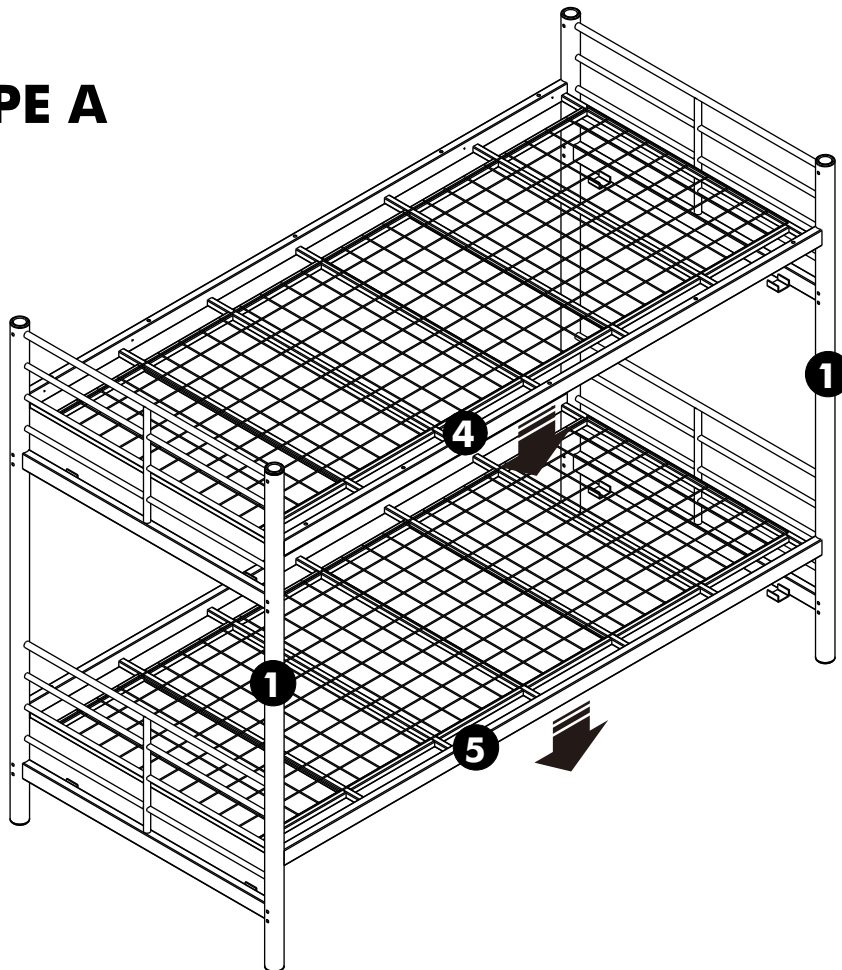


#CAP11 mm.

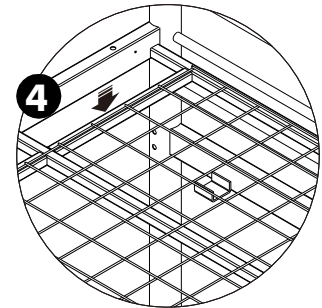
**x9**

1.

**TYPE A**

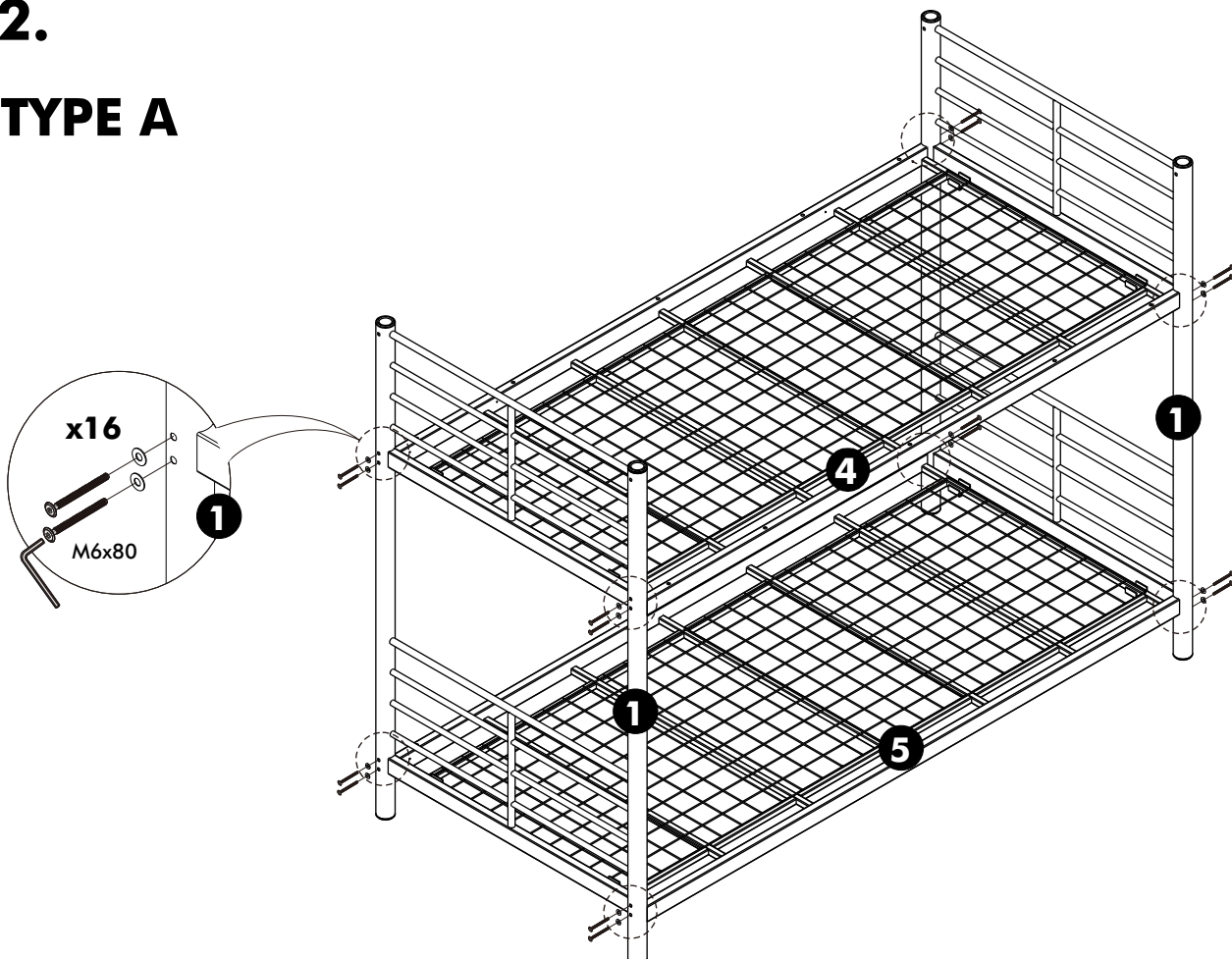


**Detalla**



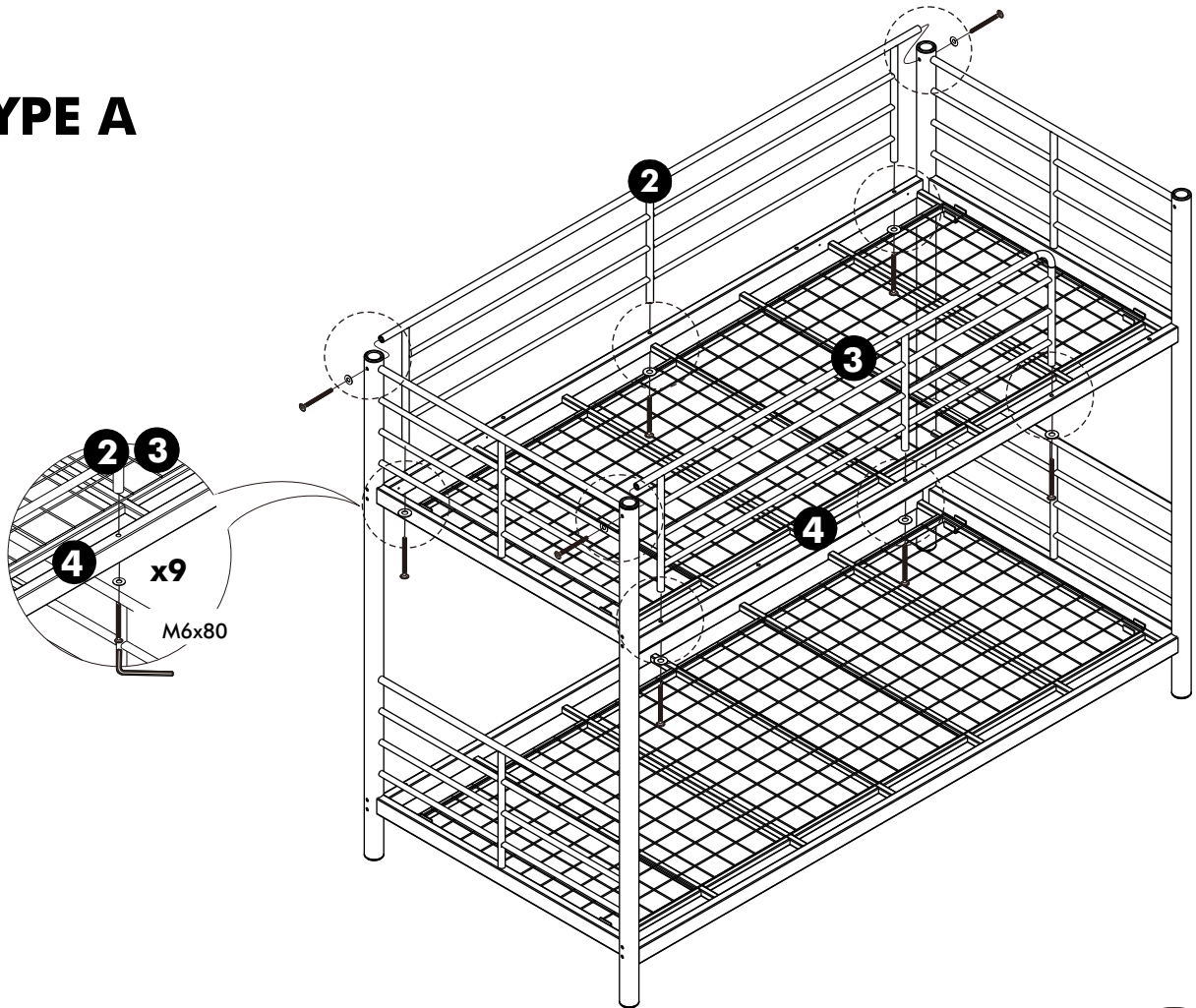
2.

**TYPE A**



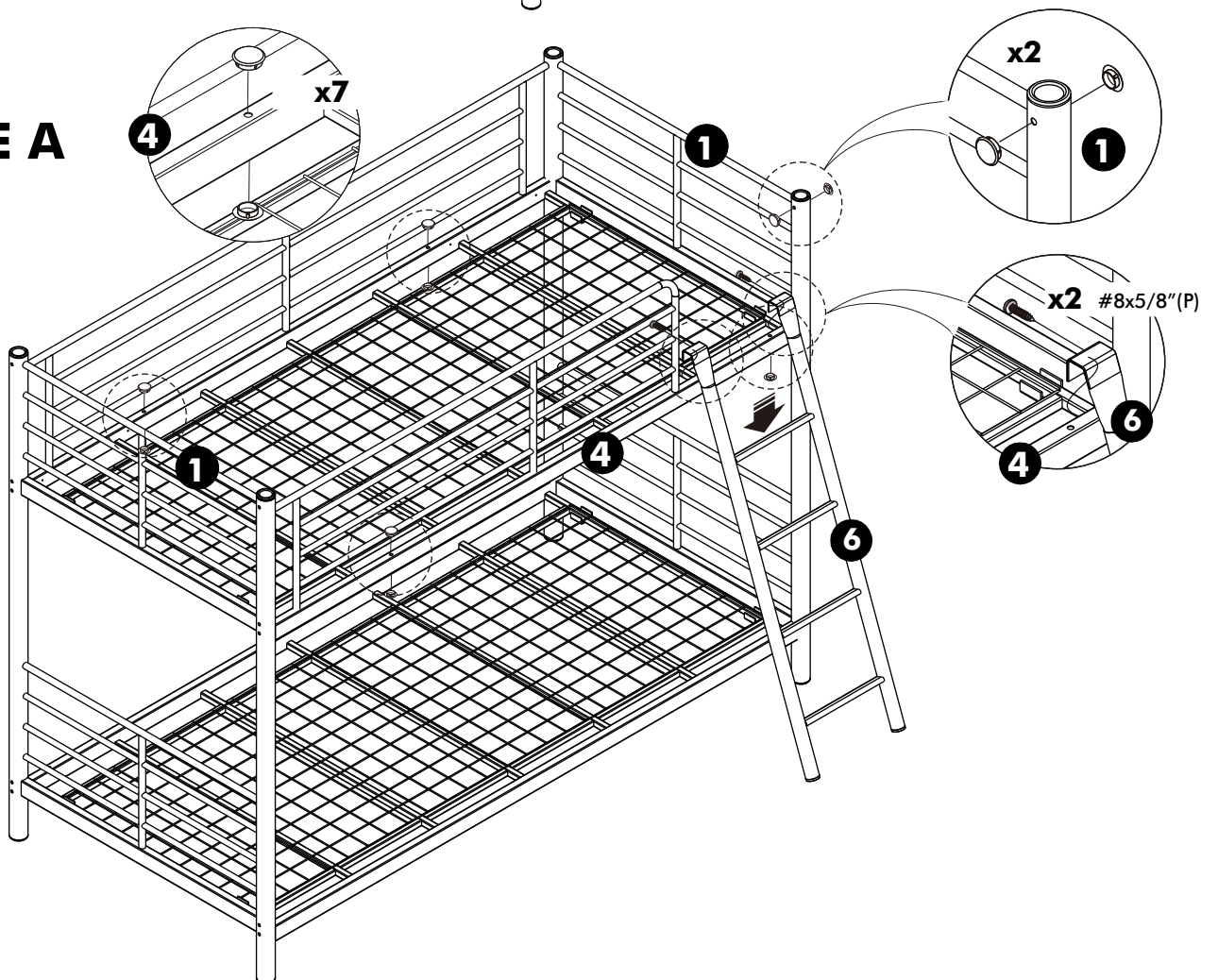
3.

**TYPE A**



4.

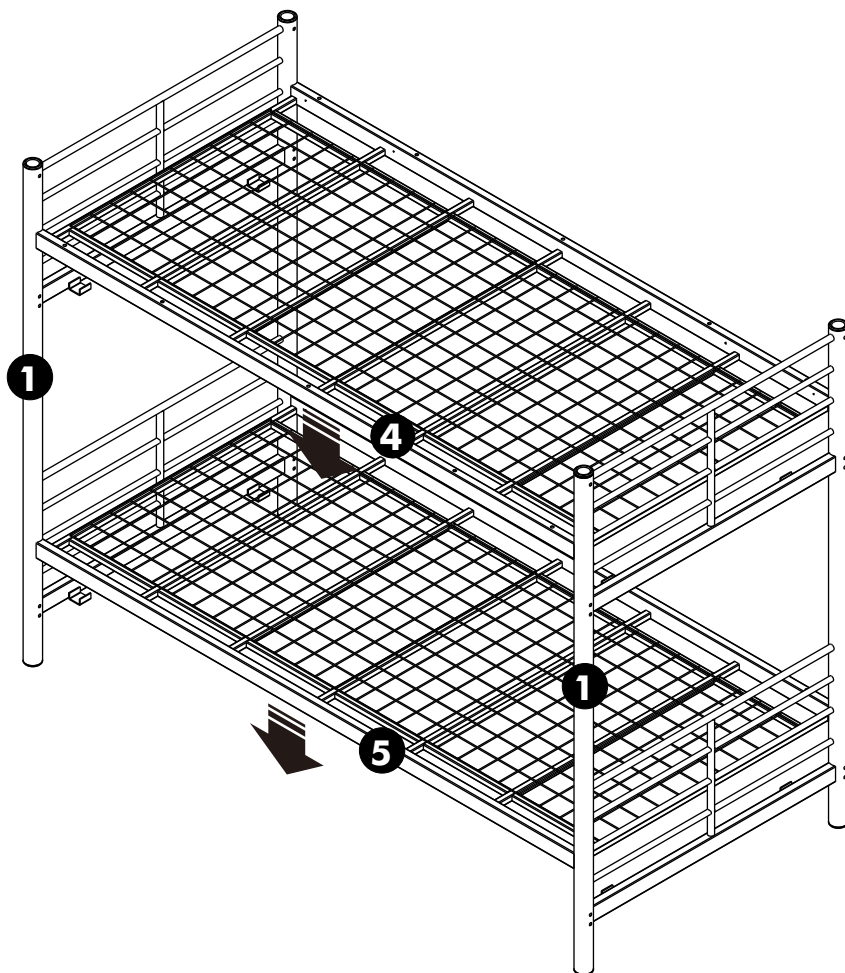
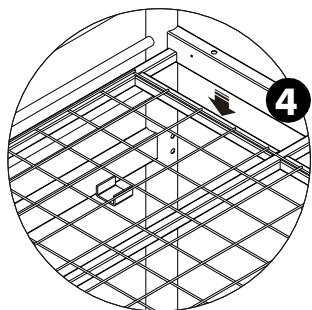
**TYPE A**



1.

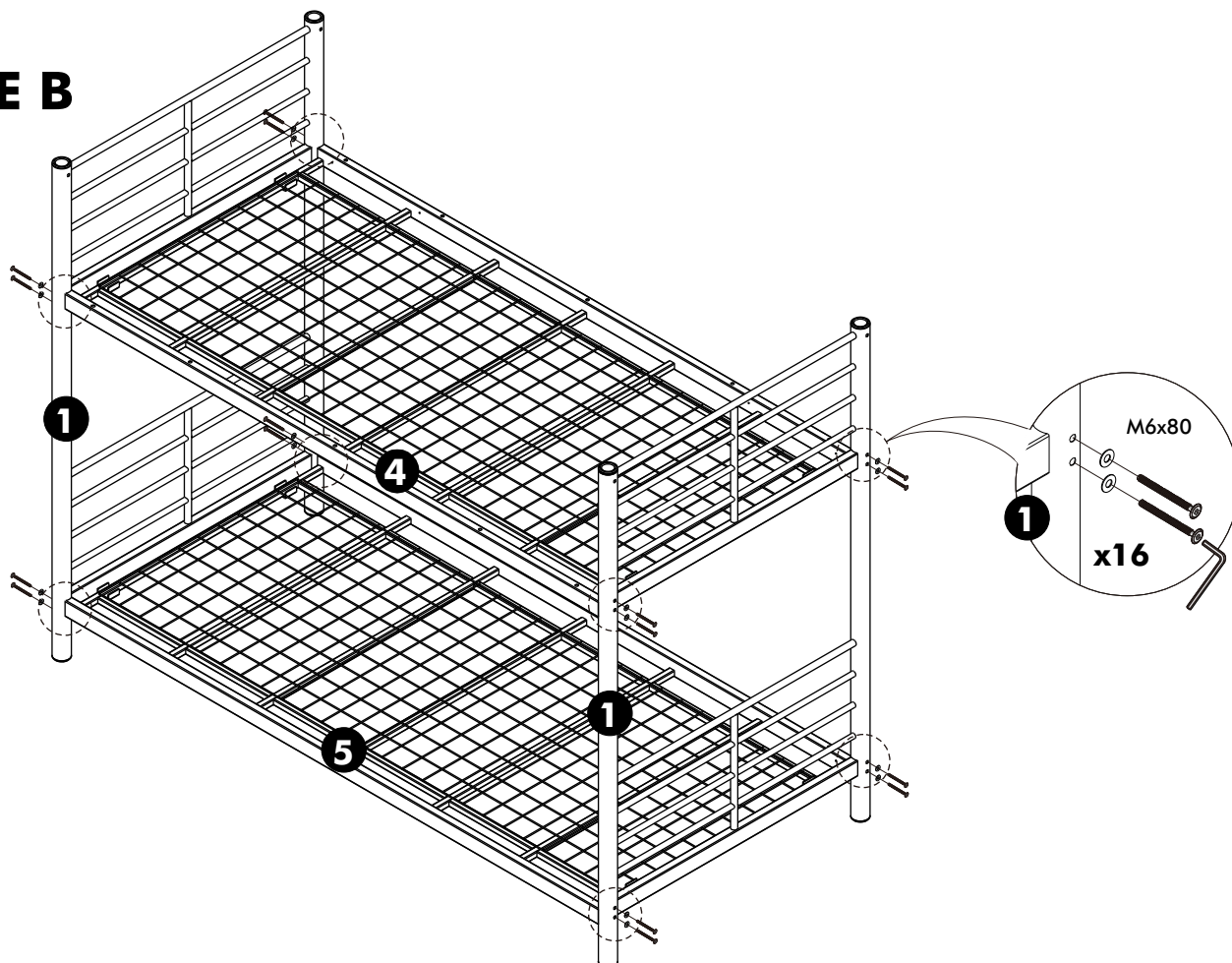
**TYPE B**

**Detalla**



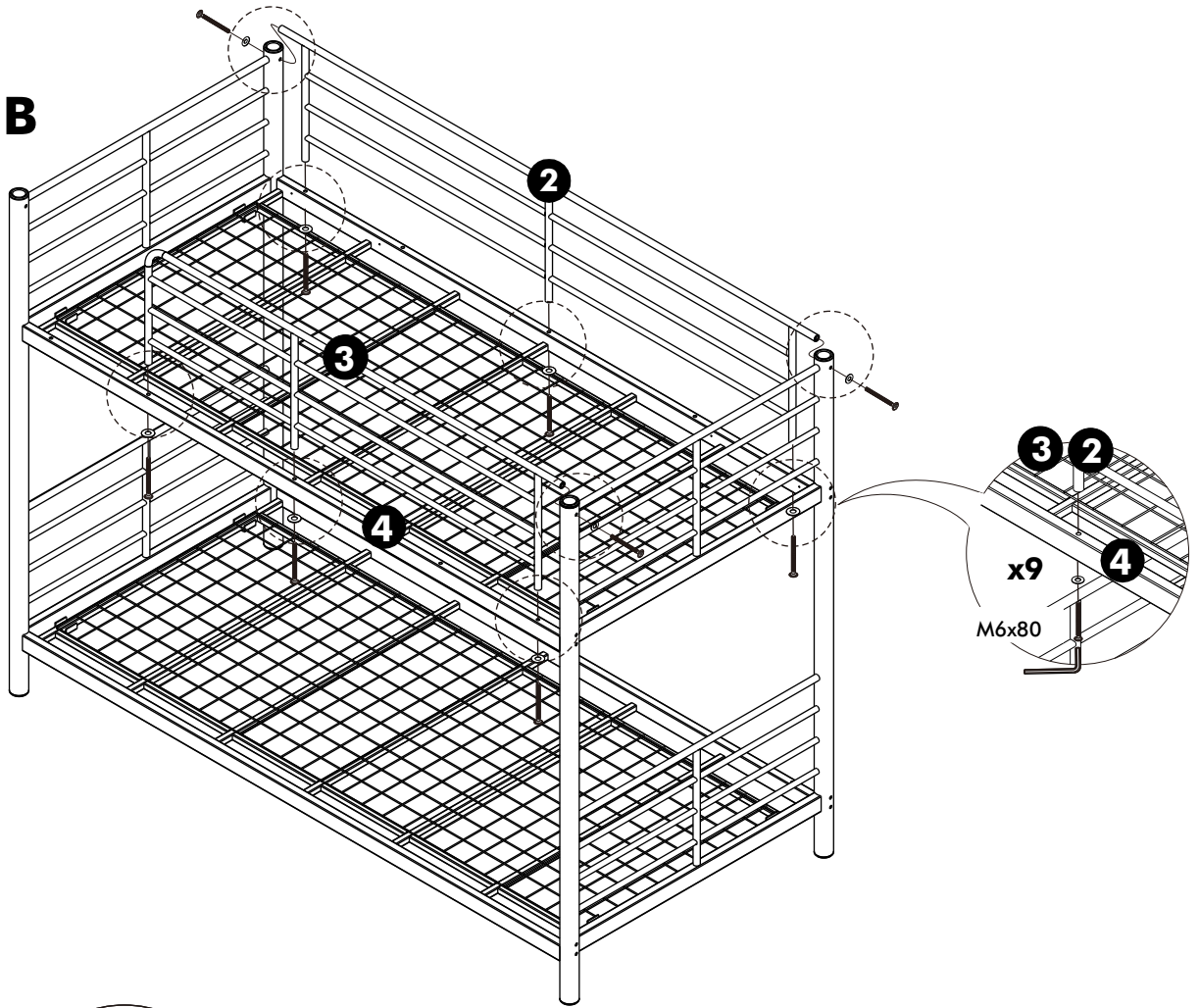
2.

**TYPE B**



3.

**TYPE B**



4.

**TYPE B**

