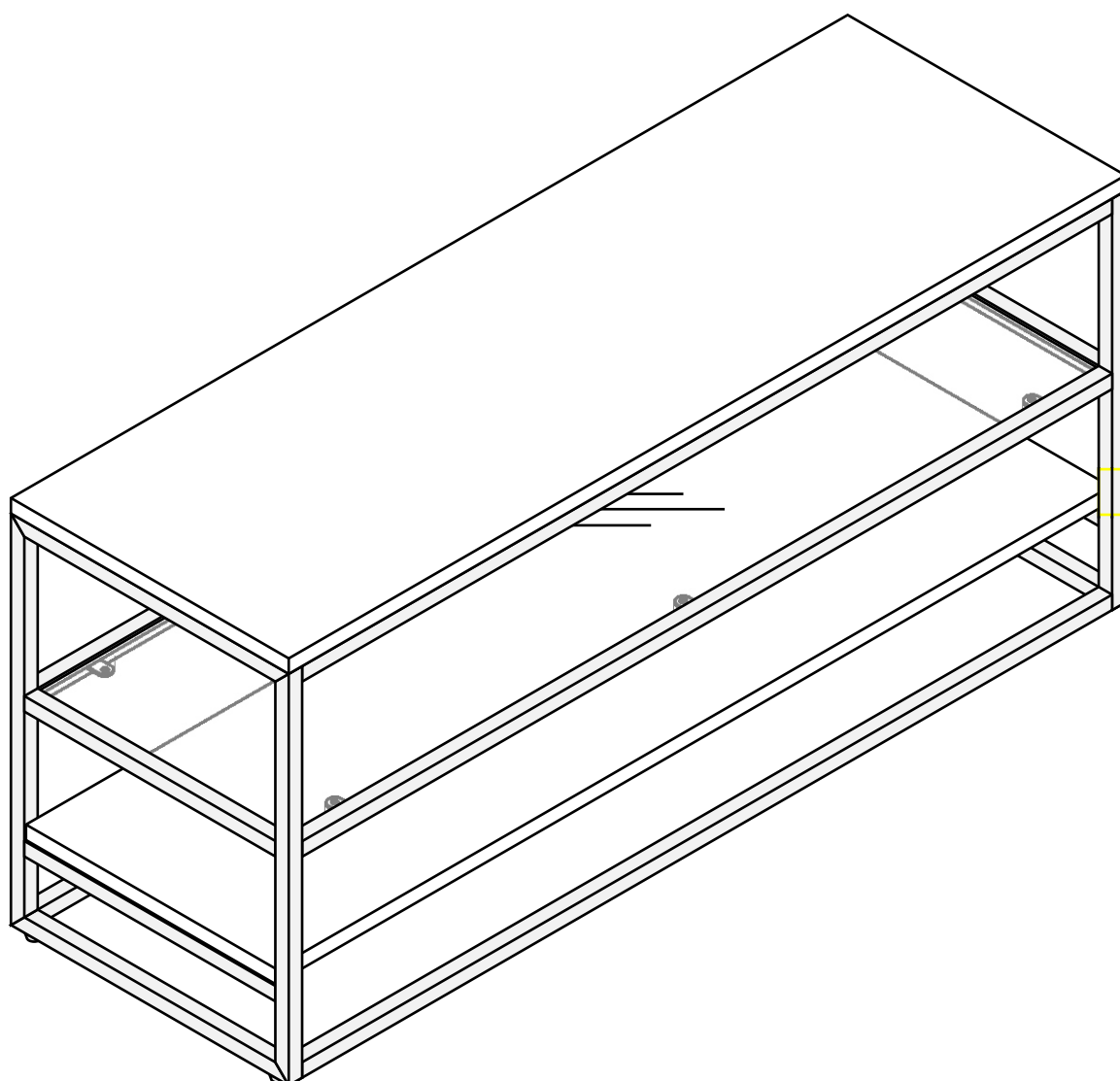


# GRUFF

**Tv cabinet 100 cm.**



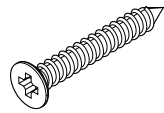
# HARDWARE

-BODY SET



M5x14(TW)

**x8**



#M4x30(F)

**x6**



TFL4 M6x13

**x14**



1/4"

**x14**



#M4

**x1**

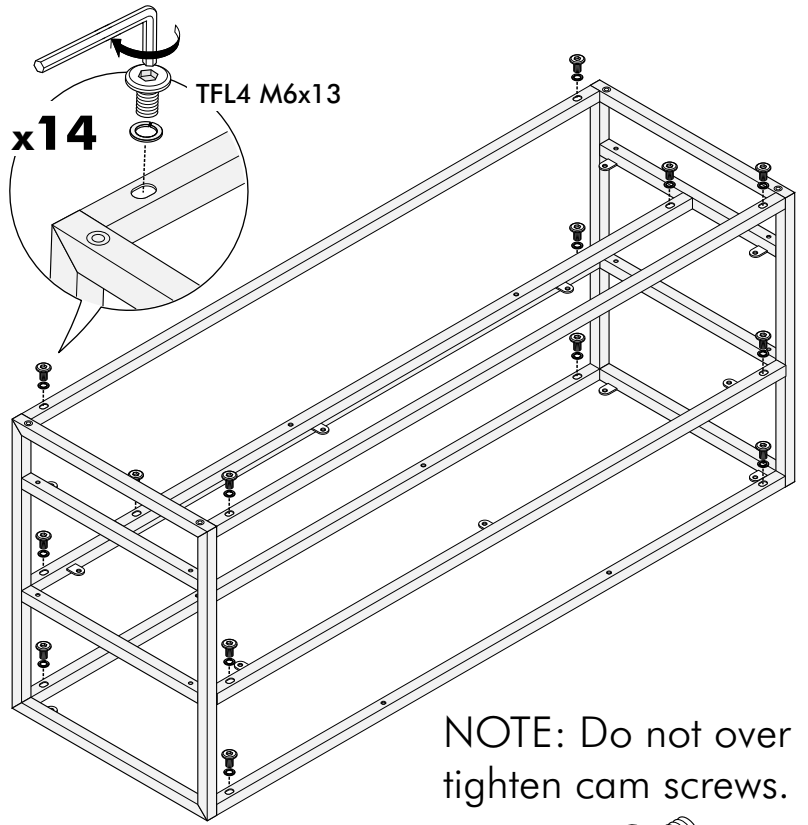
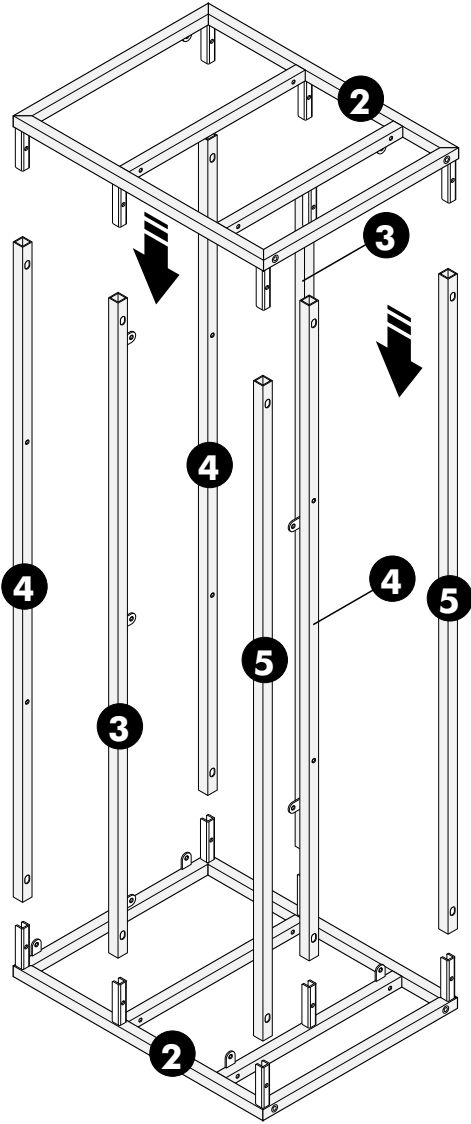


**x6**



**x4**

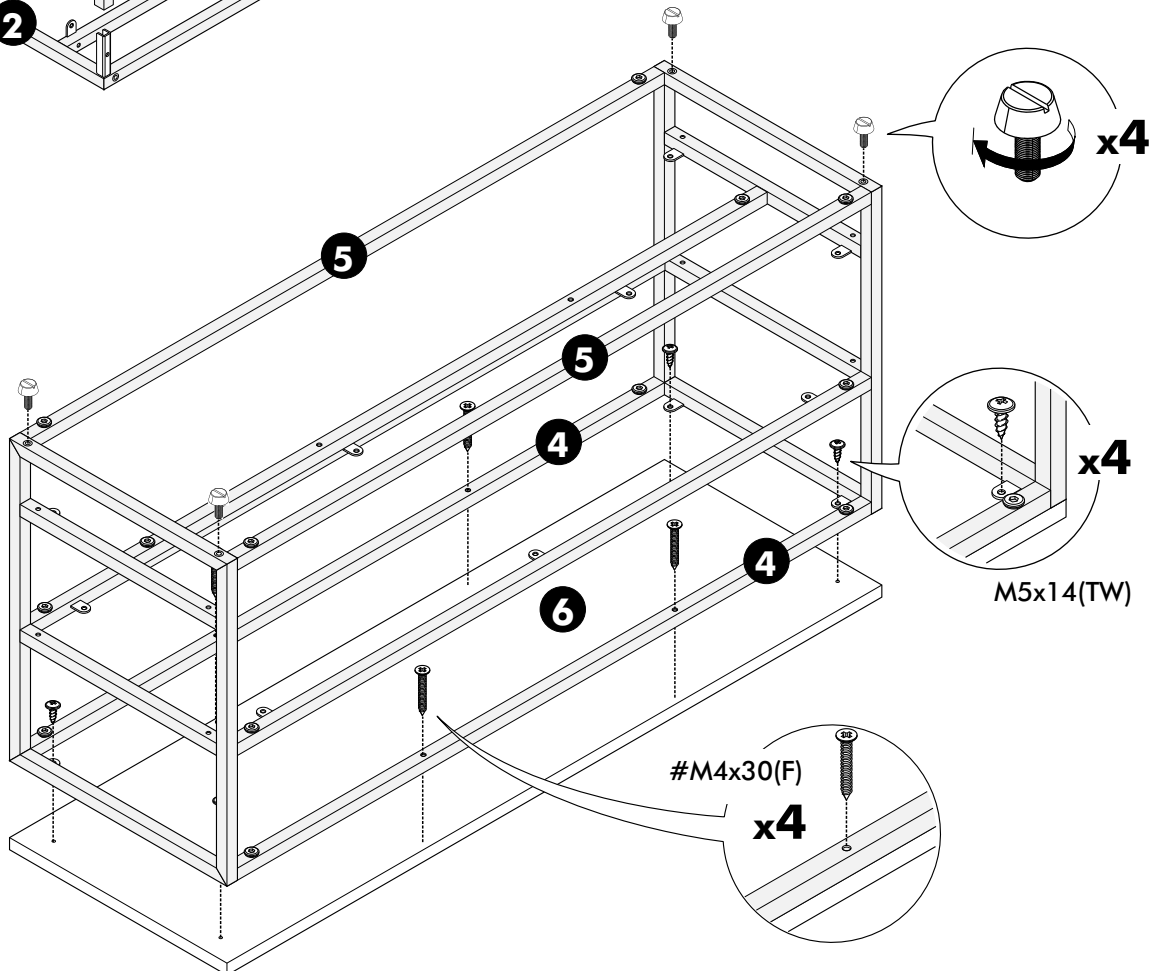
1.



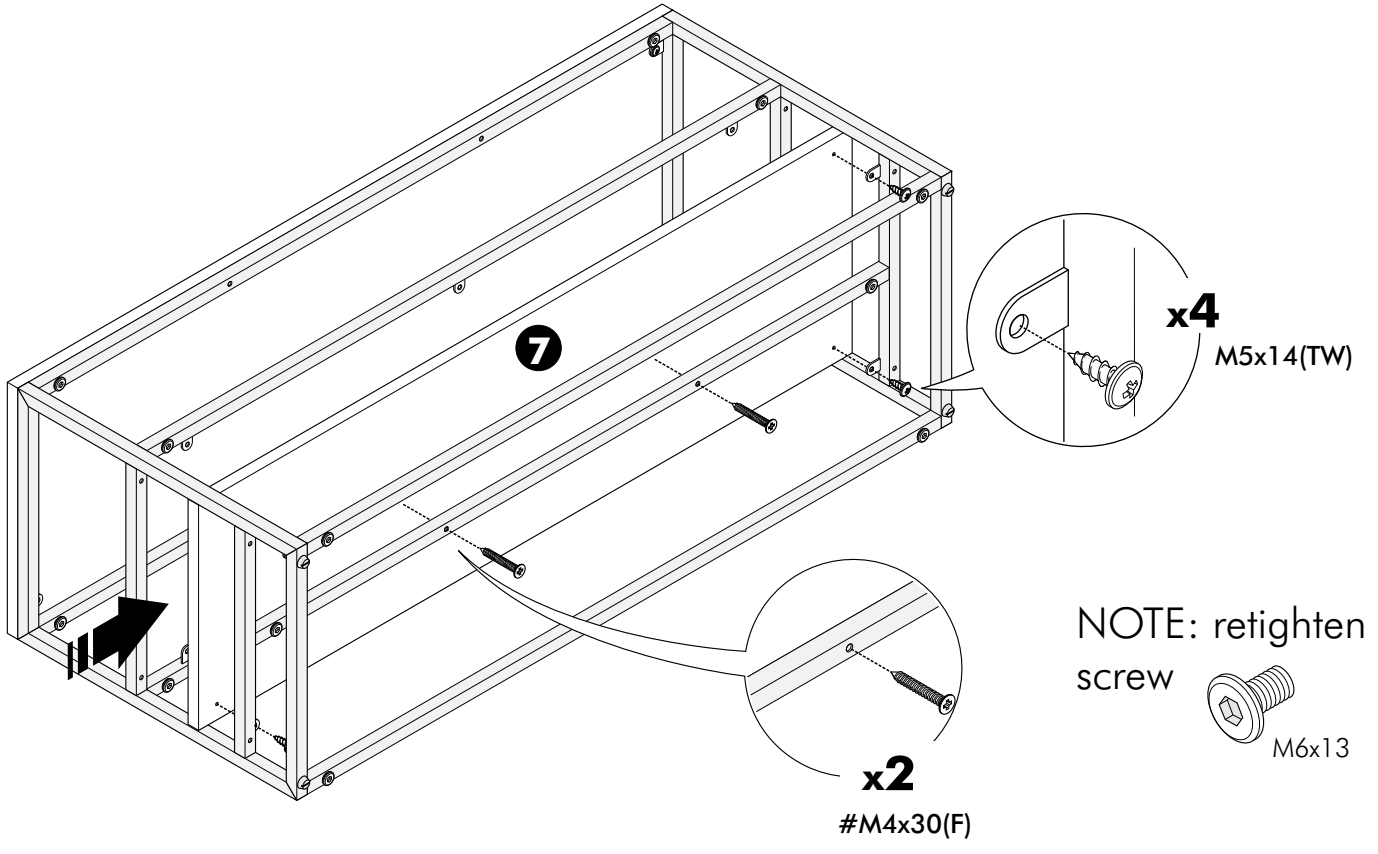
NOTE: Do not over tighten cam screws.



2.



**3.**



**4.**

