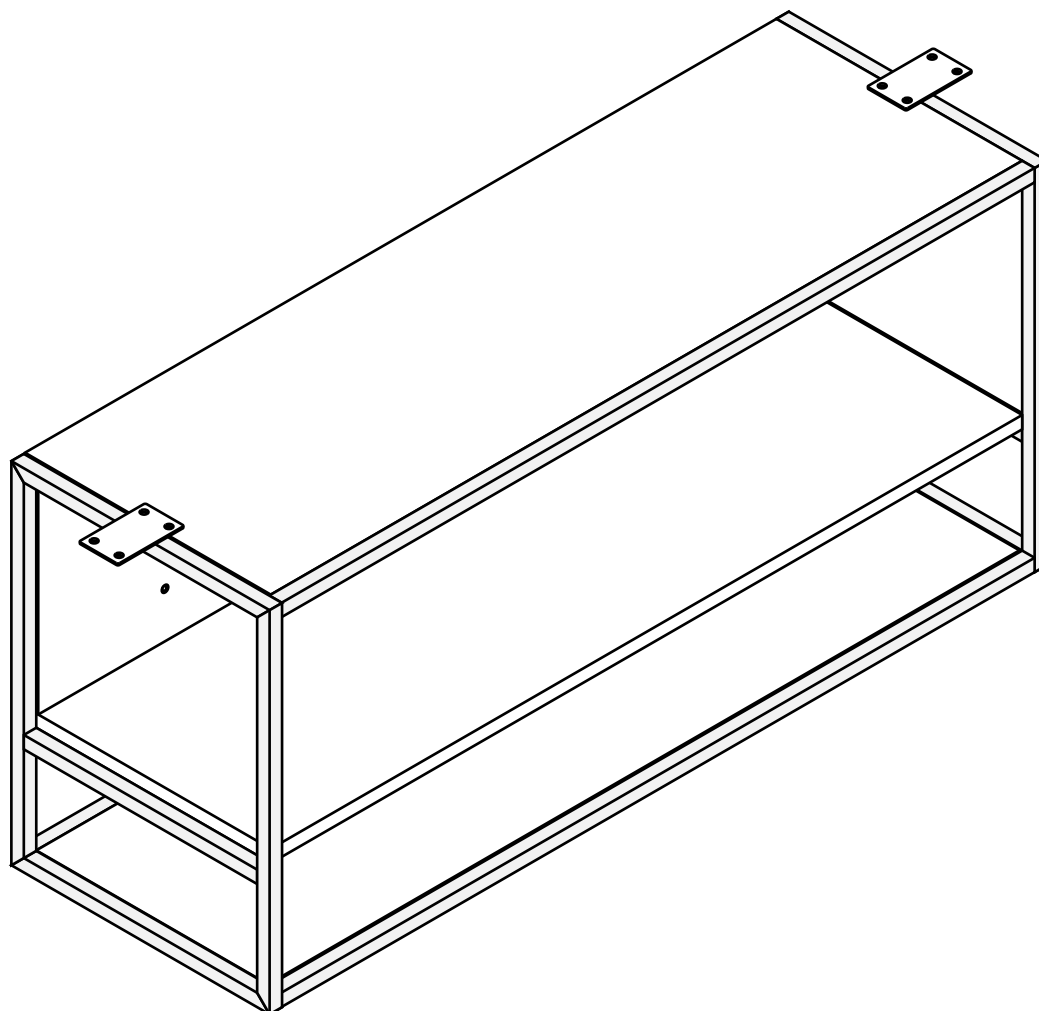


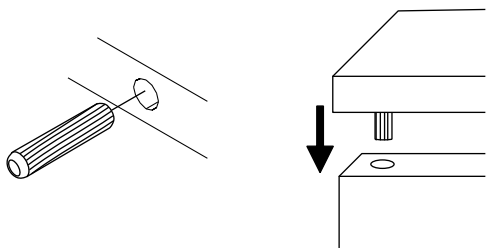
GRUFF

Shelf 100 cm.

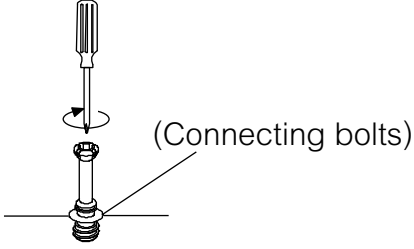


CONNECT SYSTEM

1

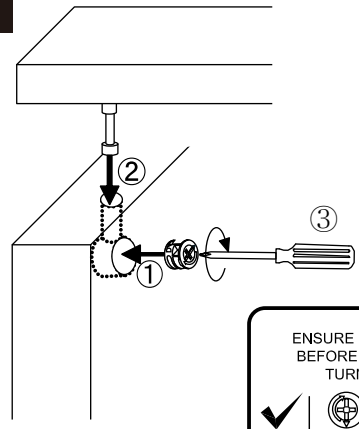


2





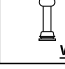



(Connecting bolts)

3

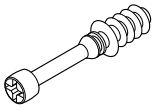


WHEN FITTING CAMS
ENSURE STARTING POSITION IS CORRECT
BEFORE YOU INSERT CONNECTING BOLT
TURN CLOCKWISE UNTIL SECURE

✓				✗
				
	CORRECT	WRONG		

HARDWARE

-BODY SET

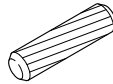


X3



#16mm.

X3



#8x35

X8



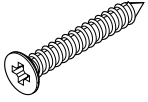
M5x14(TW)

X17



#M4x25(F)

X4



#M4x40(F)

X3



#M4x16(F)

X8



TFL4 M6x13

X6



1/4"

X6



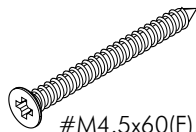
#M4

X1



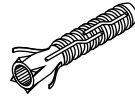
Ø 11mm.

X6

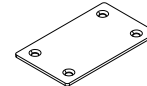


#M4.5x60(F)

X6



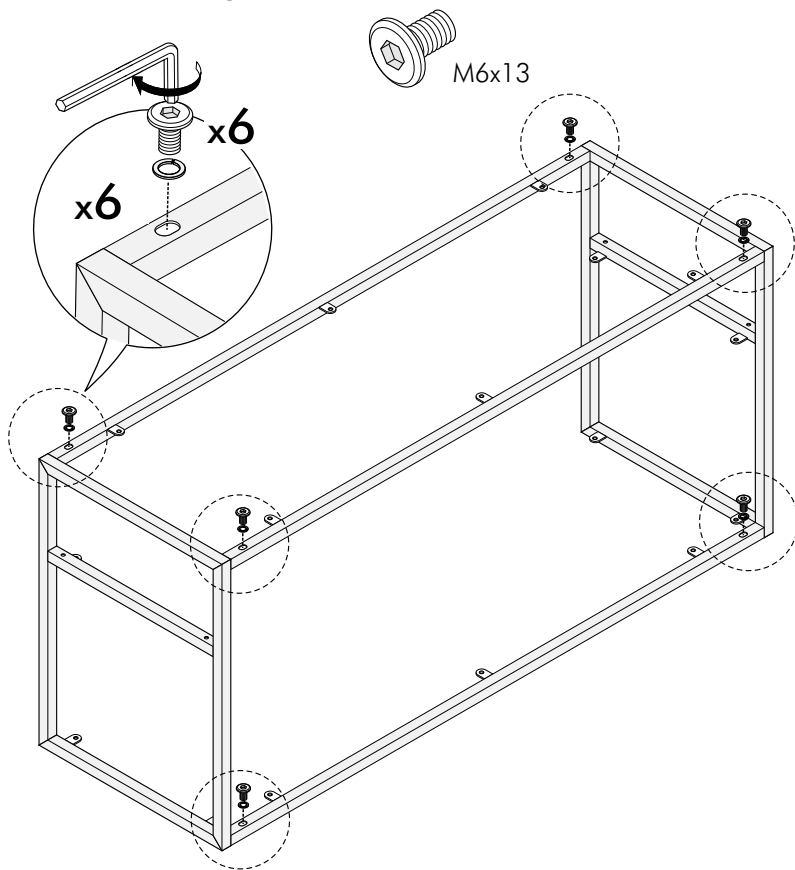
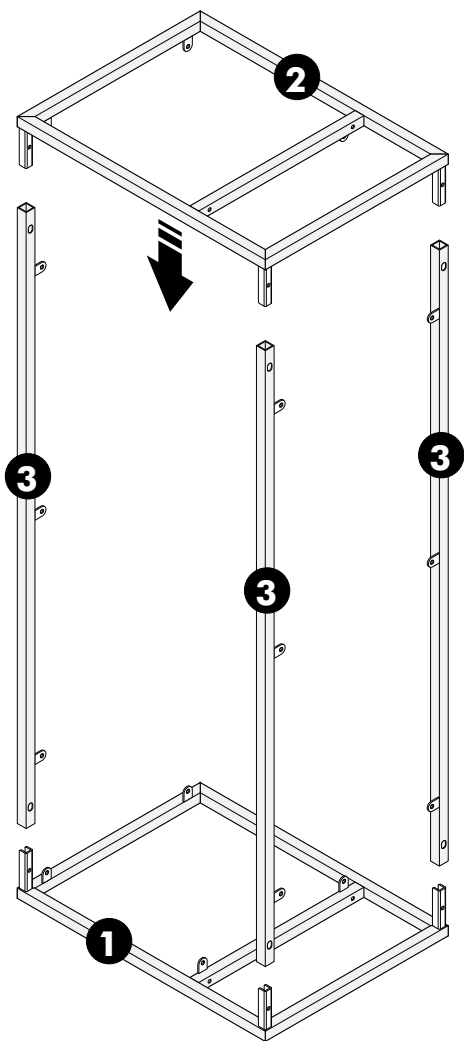
X6



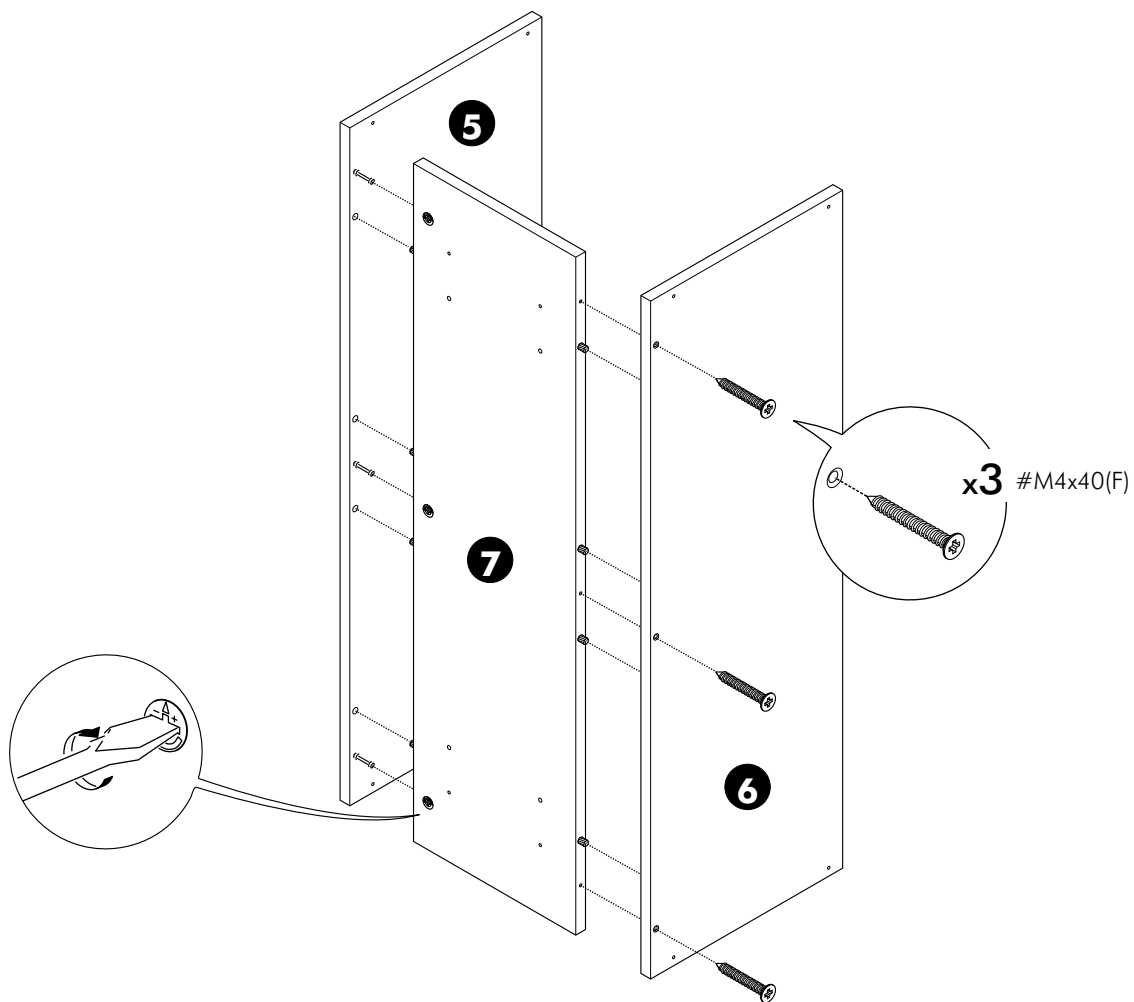
X2

NOTE: Do not over tighten cam screws.

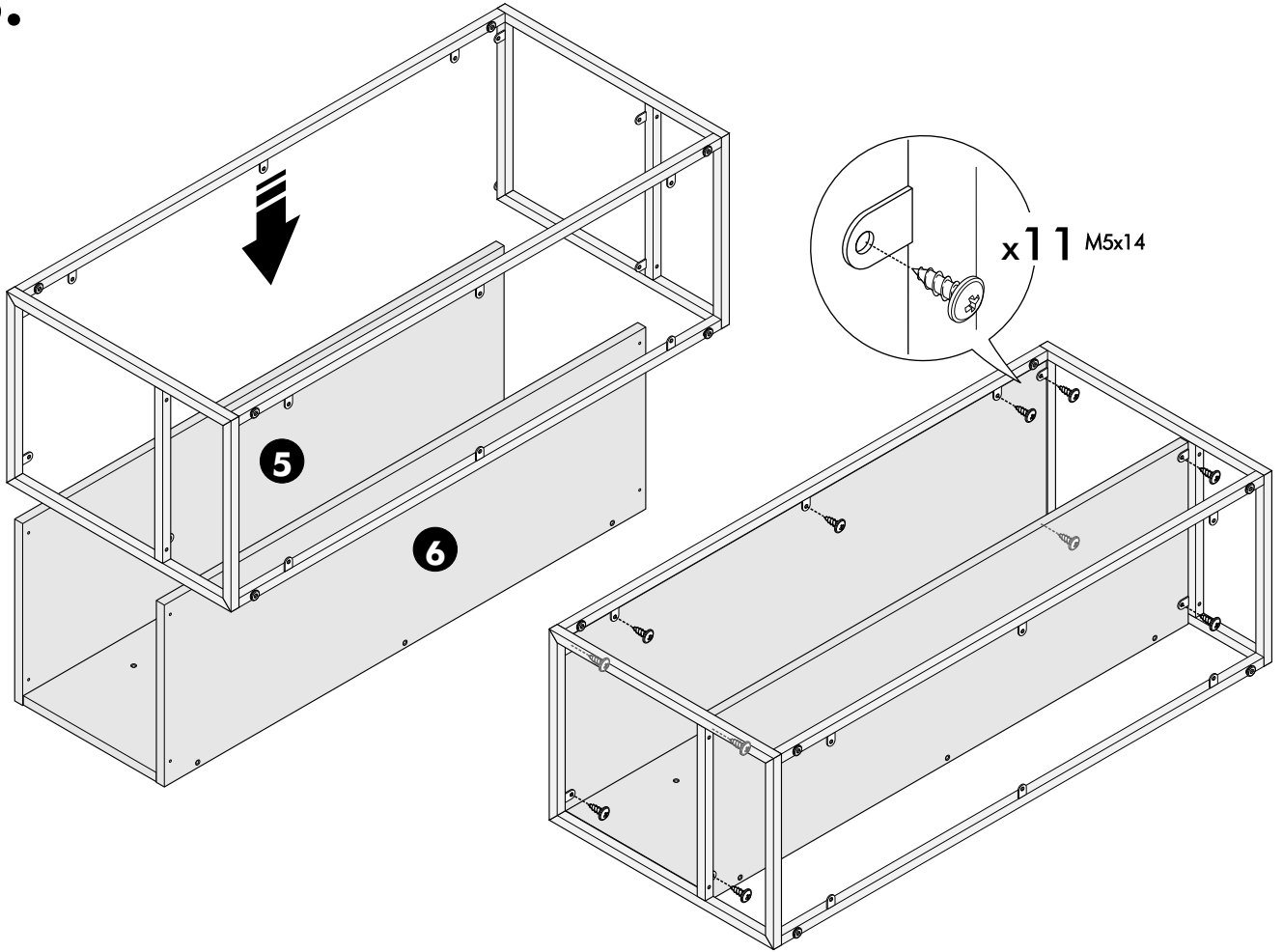
1.



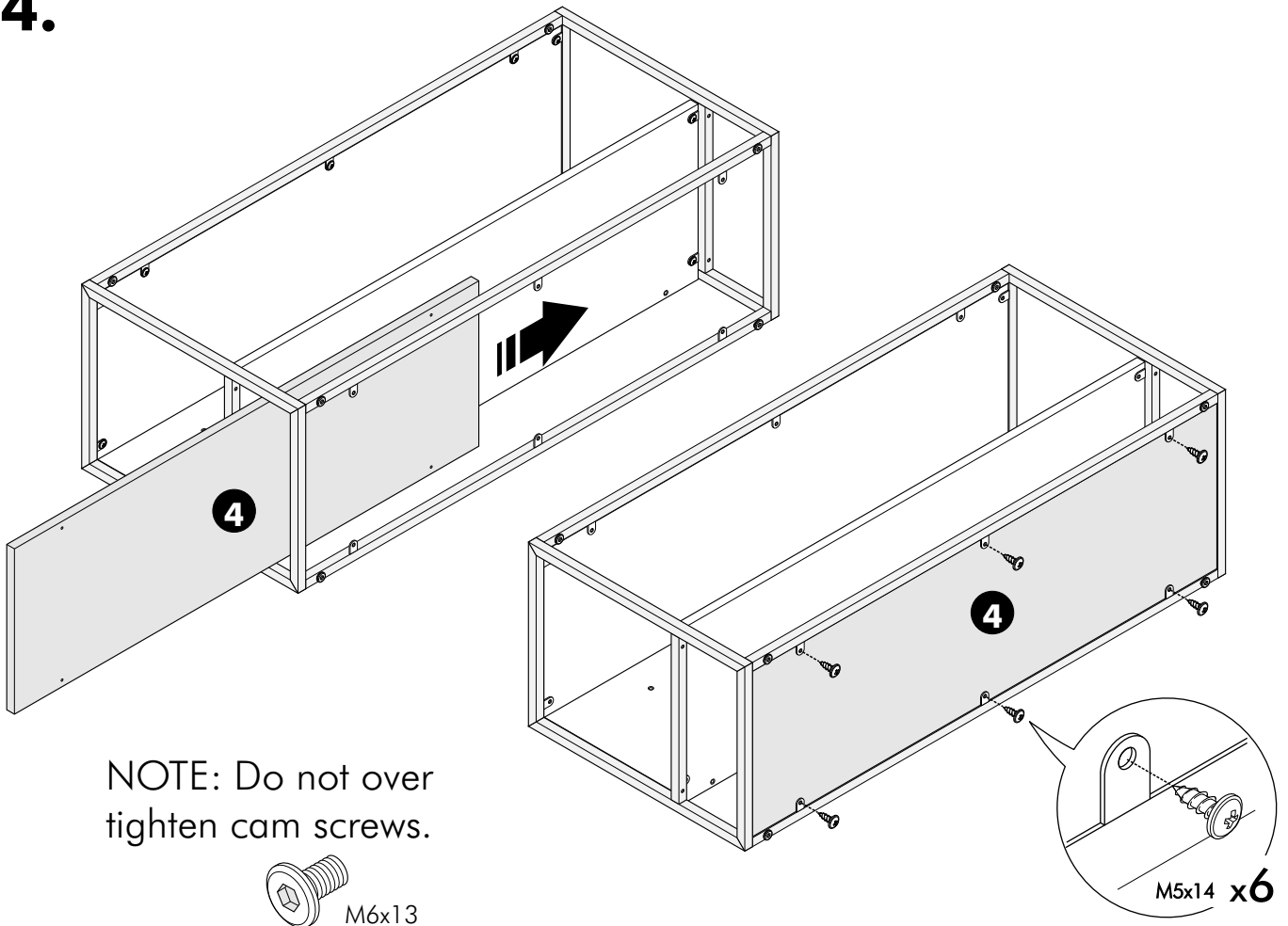
2.



3.

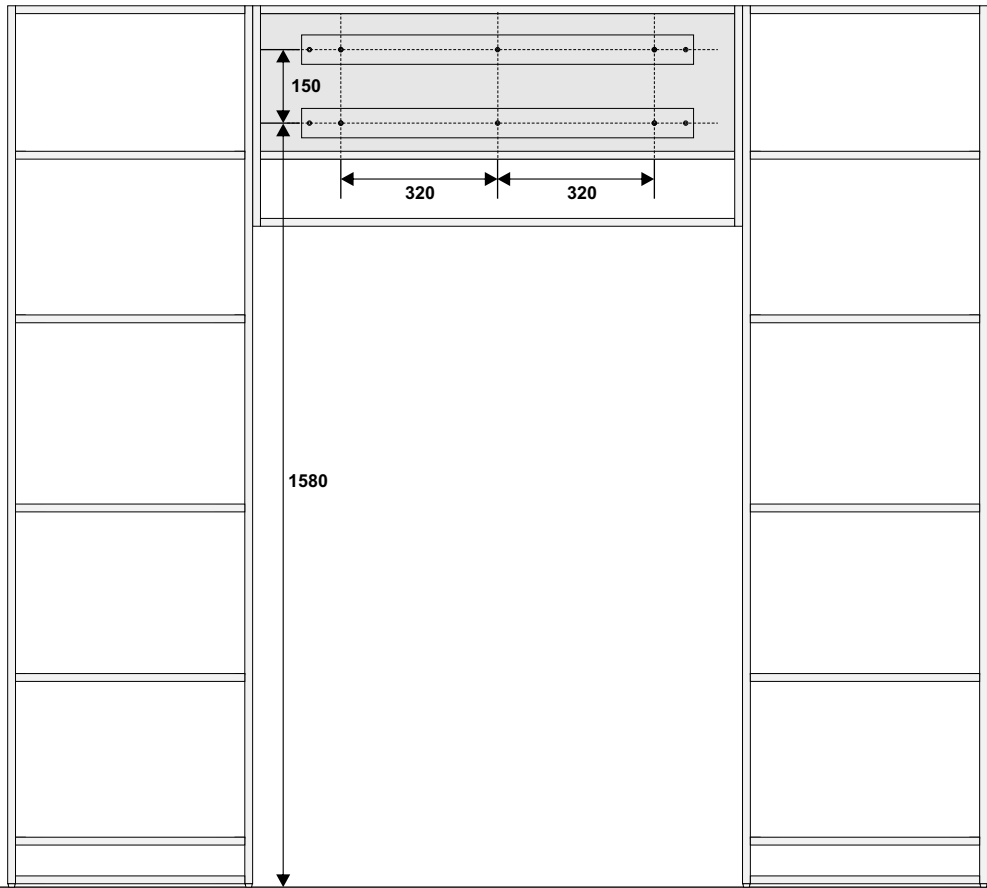


4.

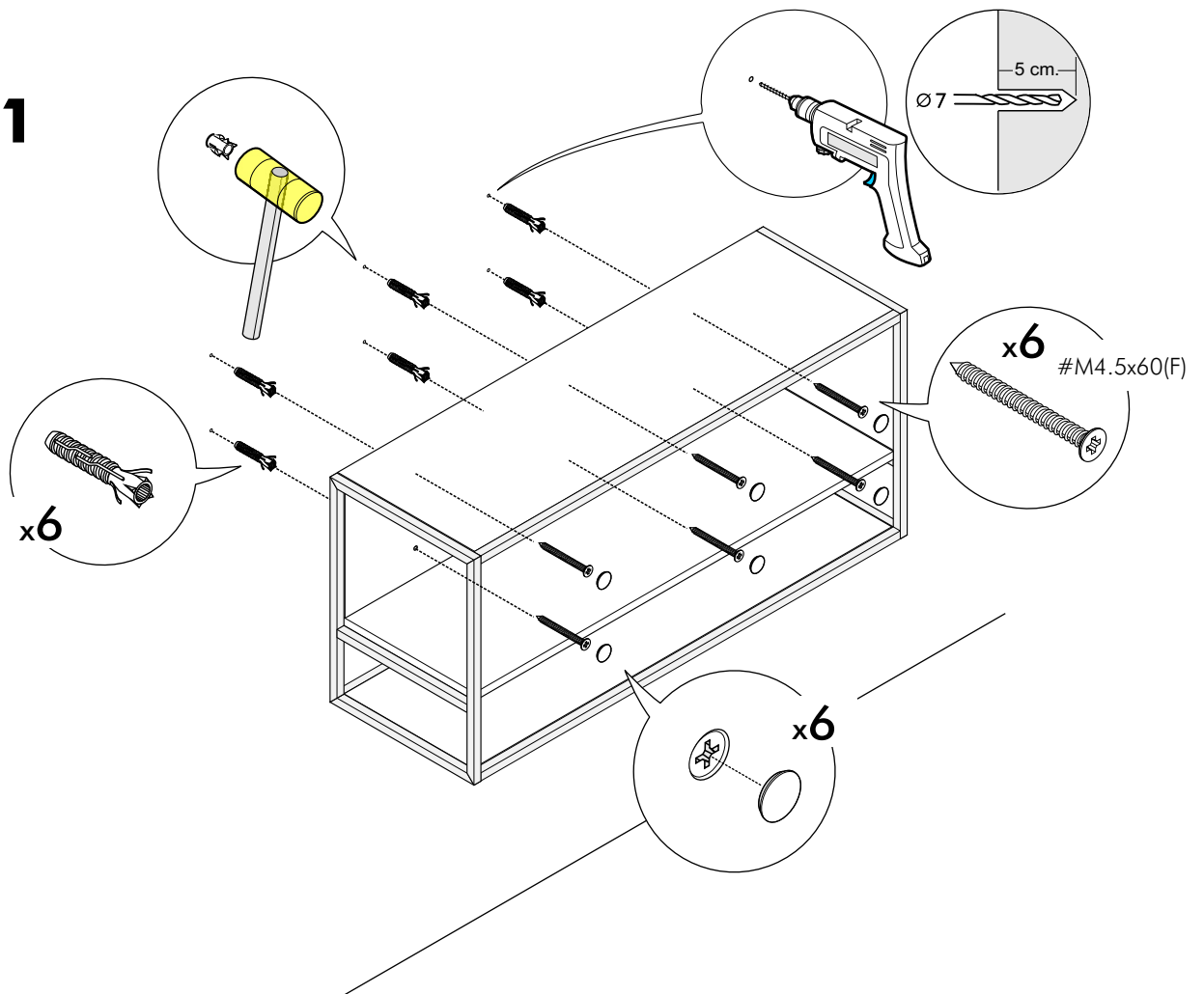


NOTE: Do not over tighten cam screws.

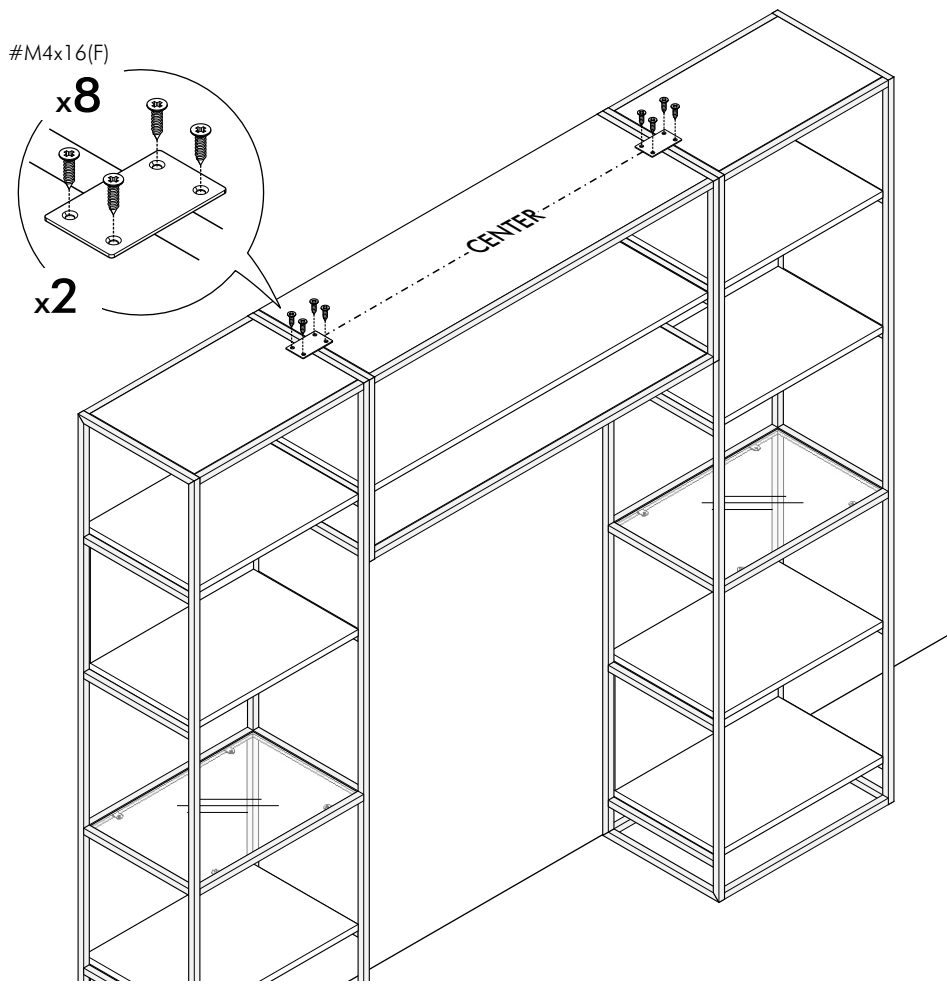




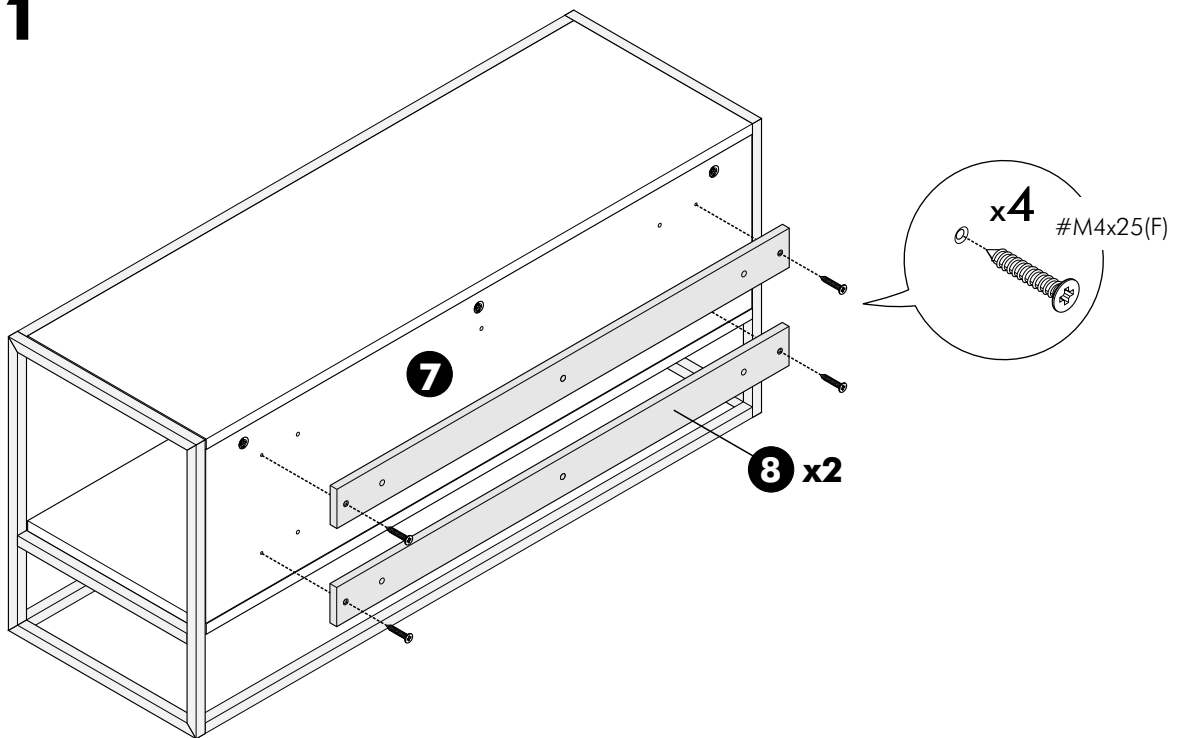
i A1



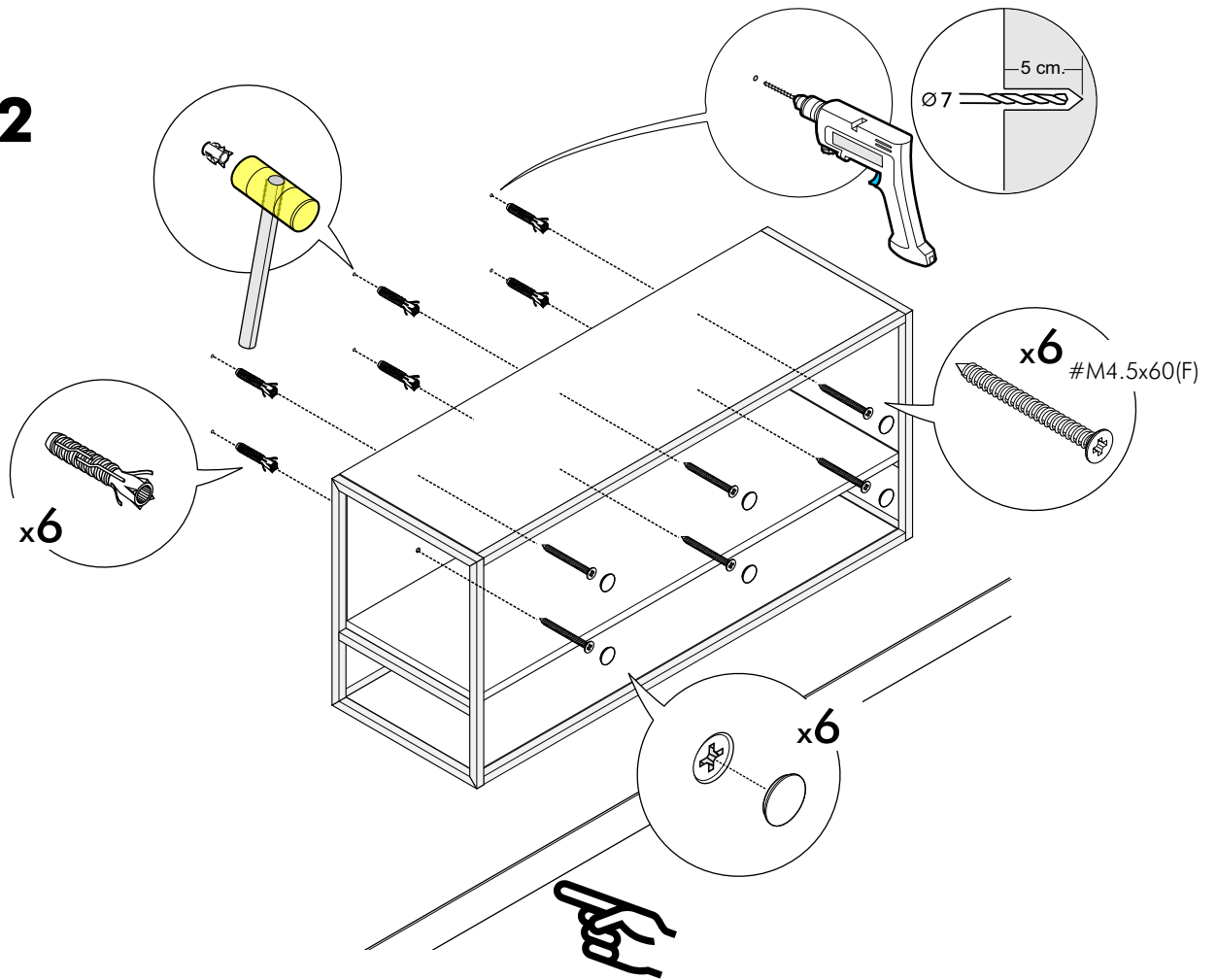
i A2



i B1



i B2



i B3

