

# H-EST

Wardrobe 3 doors.



# CONNECT SYSTEM

**1**

**3**

**2**

(Connecting bolts)

**WHEN FITTING CAMS**  
 ENSURE STARTING POSITION IS CORRECT  
 BEFORE YOU INSERT CONNECTING BOLT  
 TURN CLOCKWISE UNTIL SECURE

✓

↑  
CORRECT

✗

WRONG

**1 Pc.**

EQ EQ

≤ 190mm.

40mm. 40mm.

**2 Pcs.**

≥ 191-850mm.

100mm. EQ EQ 100mm.

**3 Pcs.**

> 850-2000mm.

100mm. EQ EQ EQ 100mm.

**4 Pcs.**

> 2001mm.

**i**

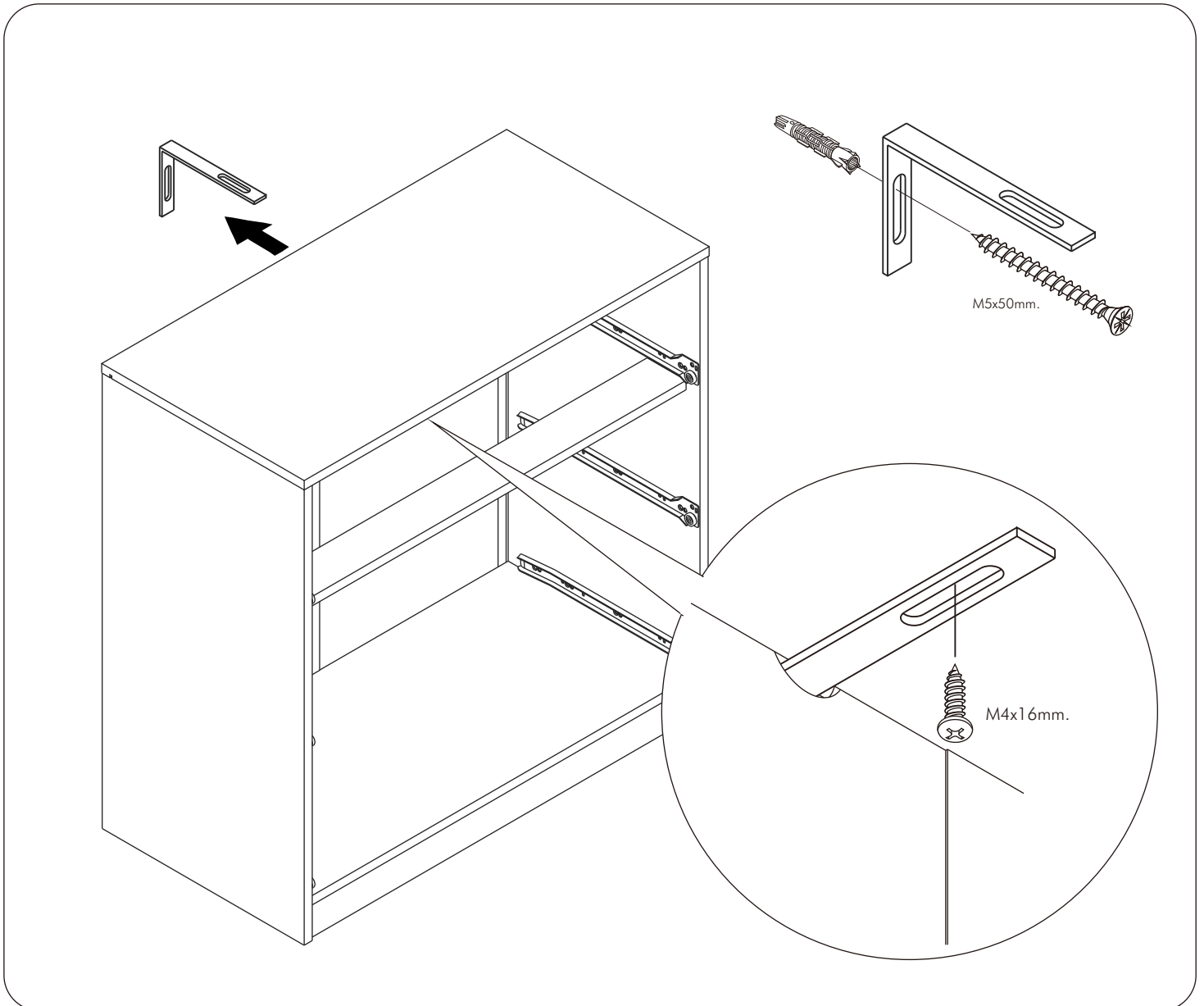
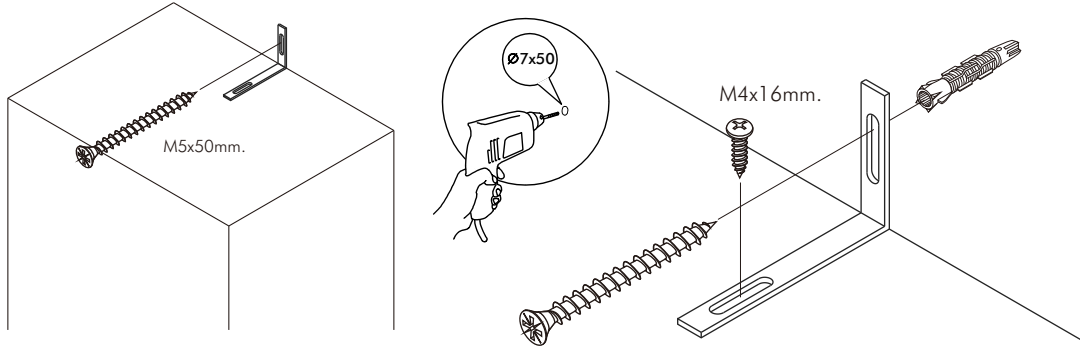
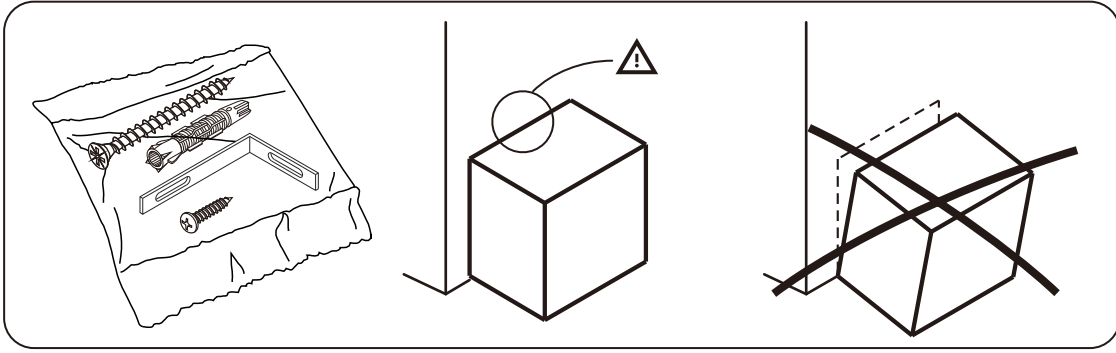
40mm.

EQ

M4x16mm.

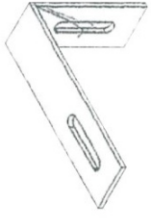
**DOOR PANEL**

**x2**

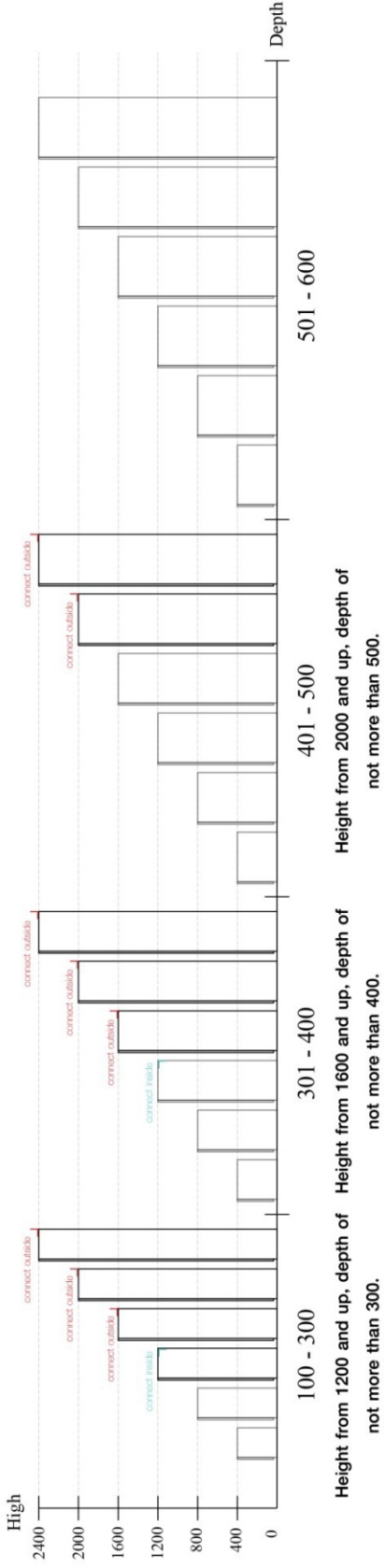


**The Standard for identifying which mounted safety fall protection fitting to use** **Note : That children's products must be installed with all anti-falling fittings.**

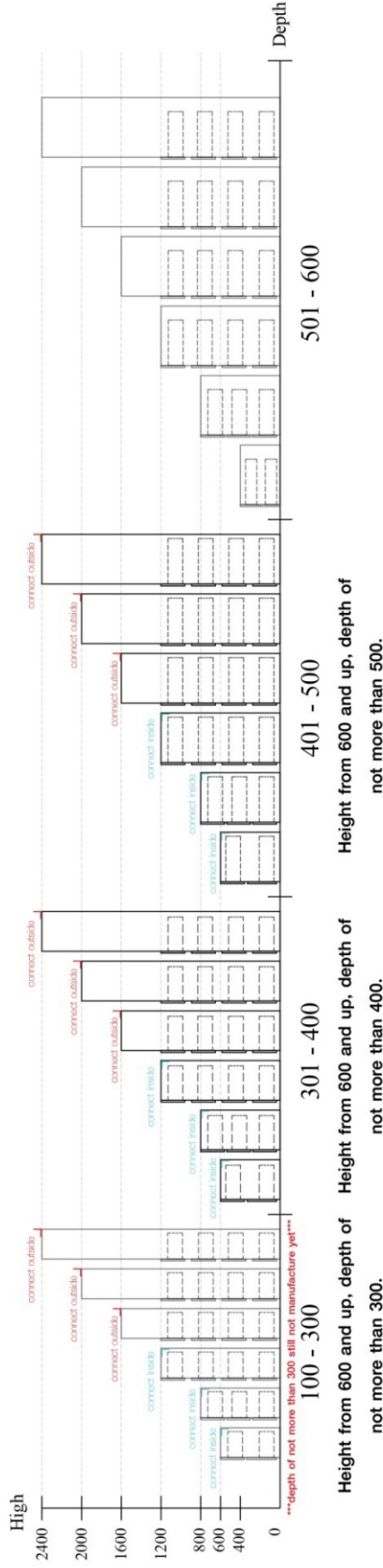
■ Mounted fall protection fittings



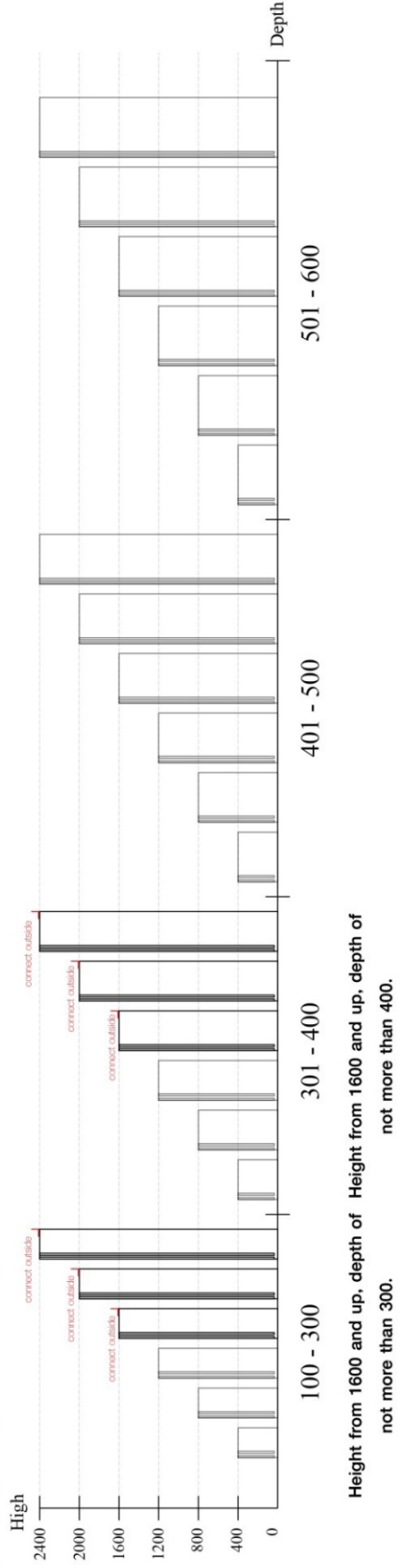
■ Category : Cabinet with open doors



■ Category : Chest of drawers

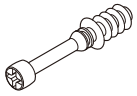


■ Category : Sliding door cabinet / Open cabinet



# HARDWARE

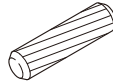
## -BODY SET



**x 10**

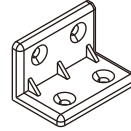


**x 10**

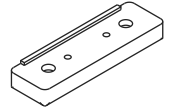


8x35mm.

**x 29**



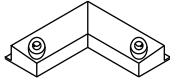
**x 4**



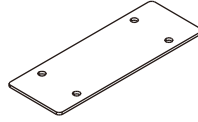
**x 8**



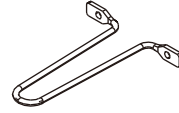
**x 4**



**x 2**



**x 2**



**x 1**



**x 2**



M3.5x13mm.

**x 4**



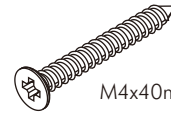
M4x16mm.

**x 19**



M3.5x20mm.

**x 4**



M4x40mm.

**x 3**



M4x40mm.

**x 3**



**x 2**



M4x16mm.

**x 32**

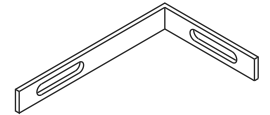


M4x16mm.

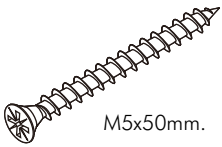
**x 2**



**x 2**



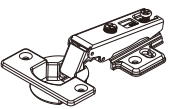
**x 2**



M5x50mm.

**x 2**

## -DOOR SET



**x 9**

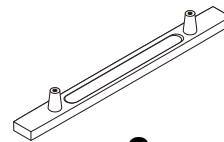


M4x16mm.

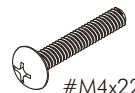
**x 36**



**x 6**



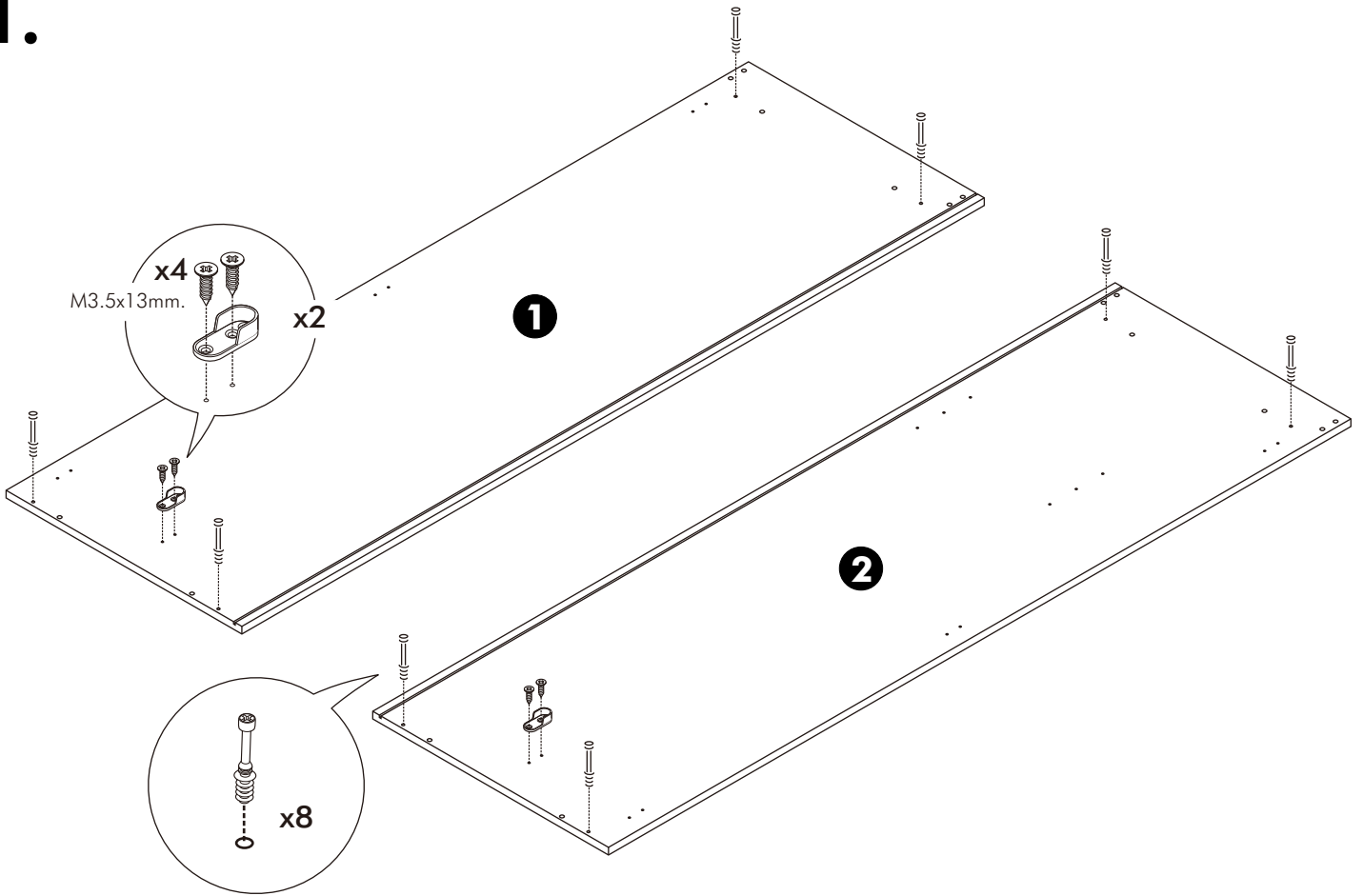
**x 2**



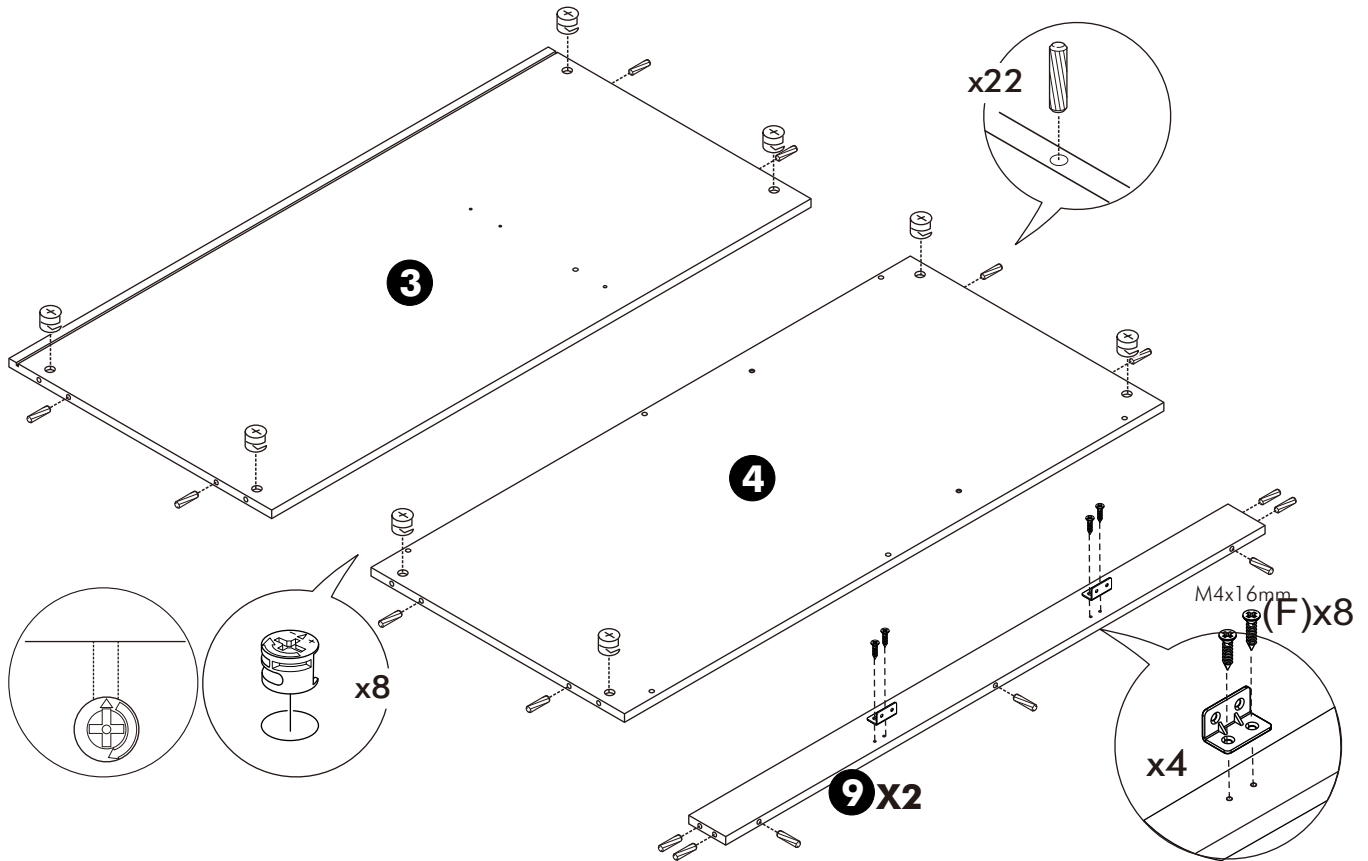
#M4x22mm.

**x 4**

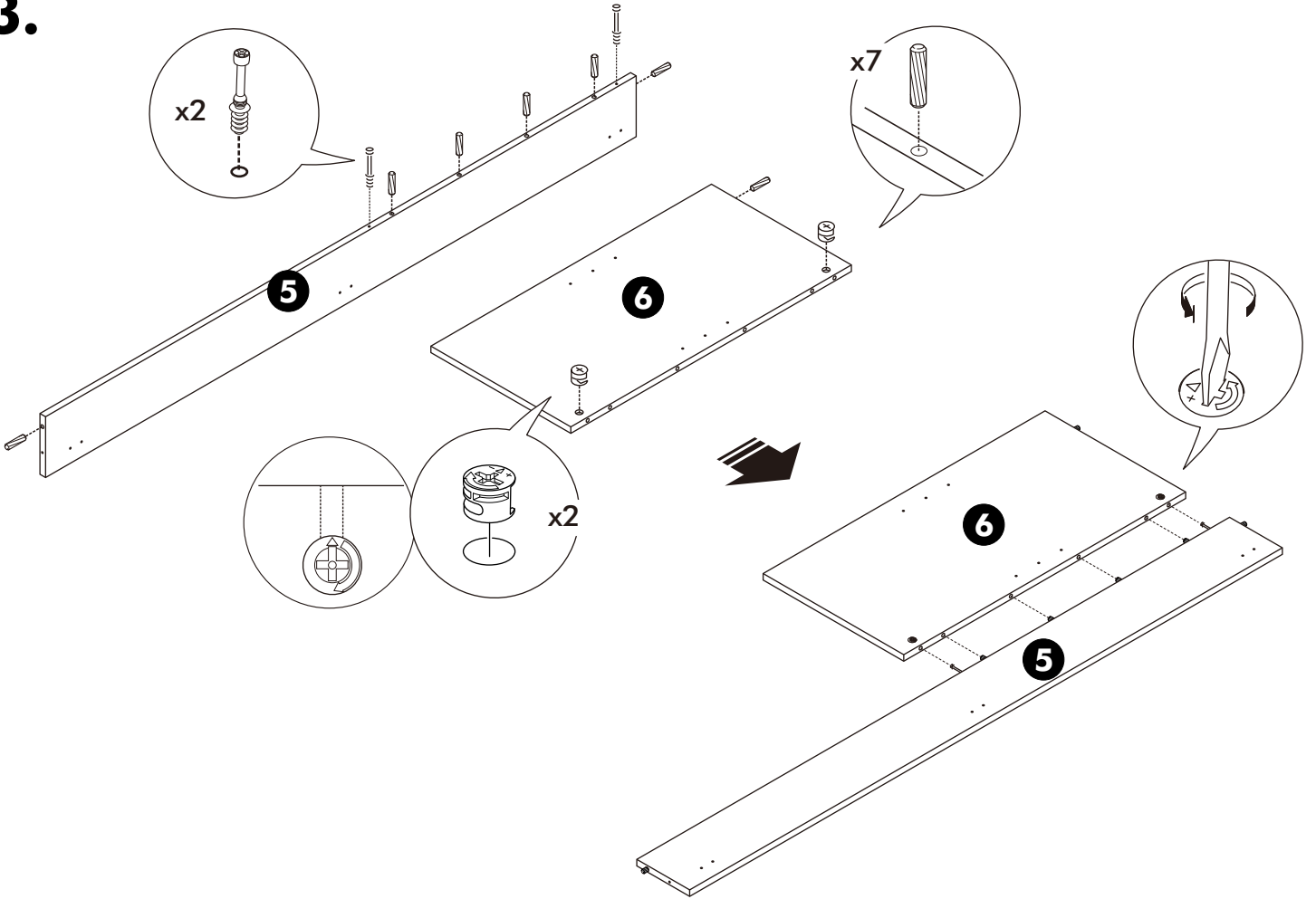
**1.**



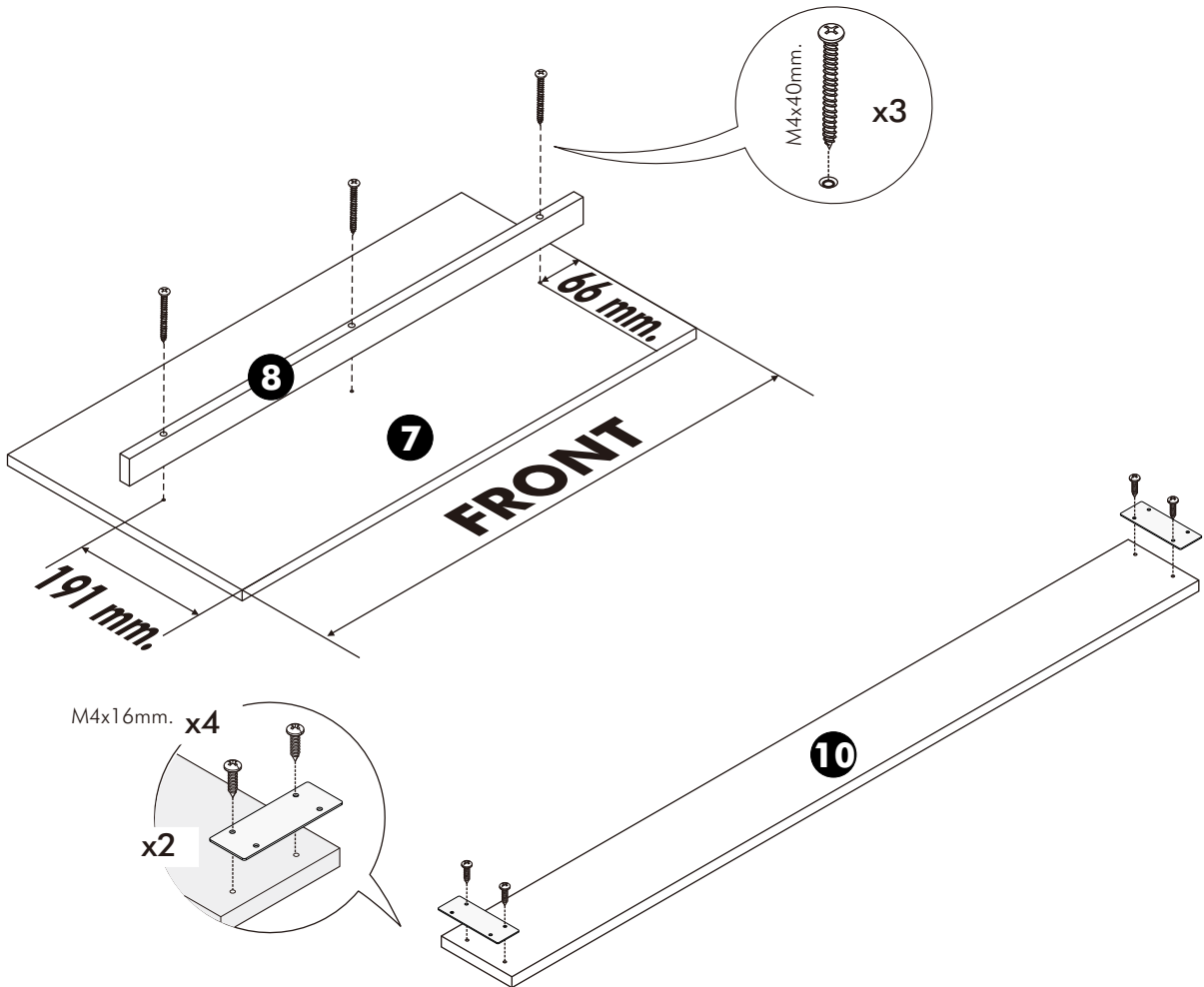
**2.**



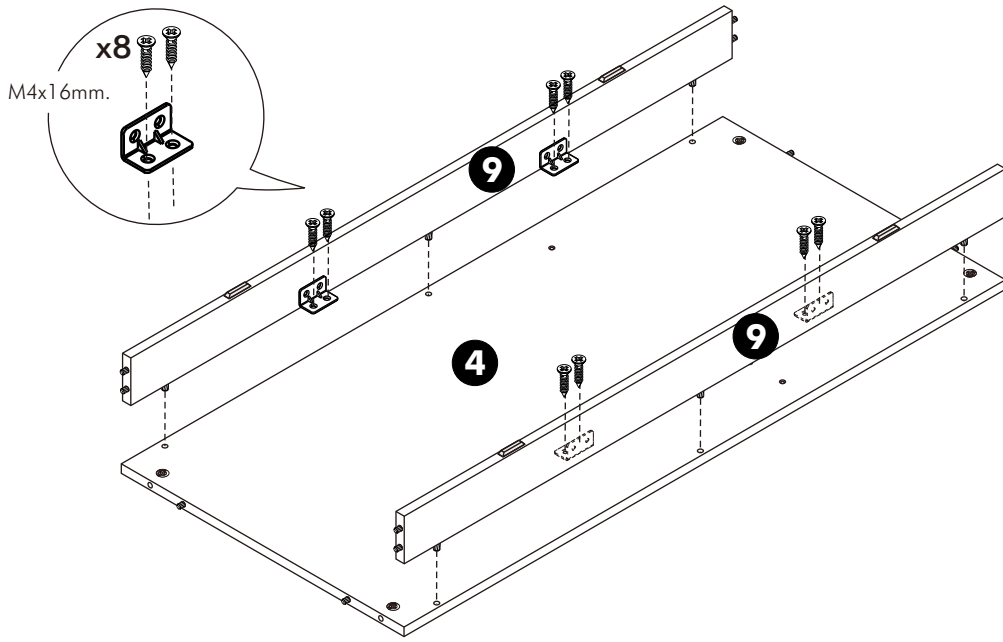
3.



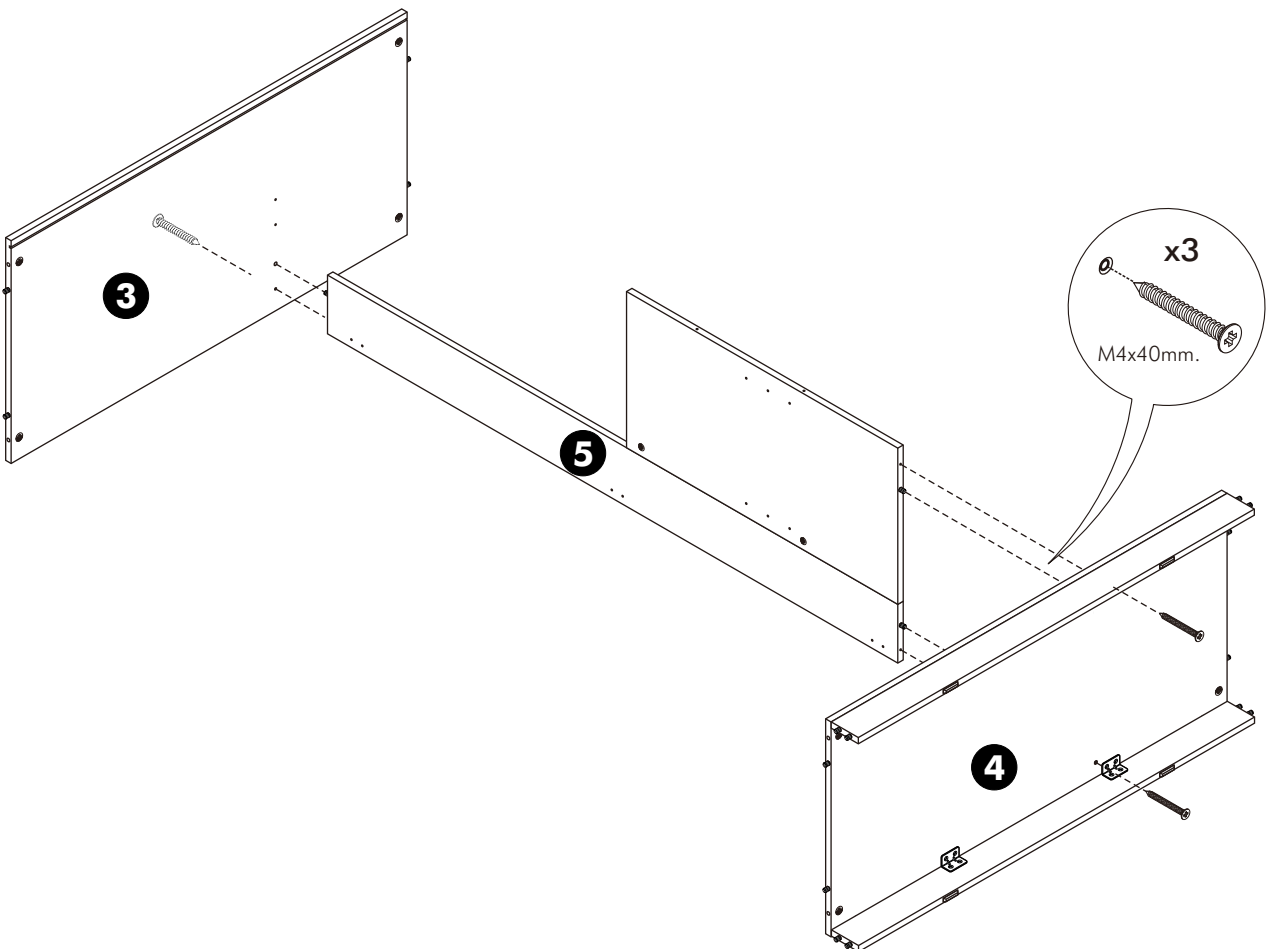
4.



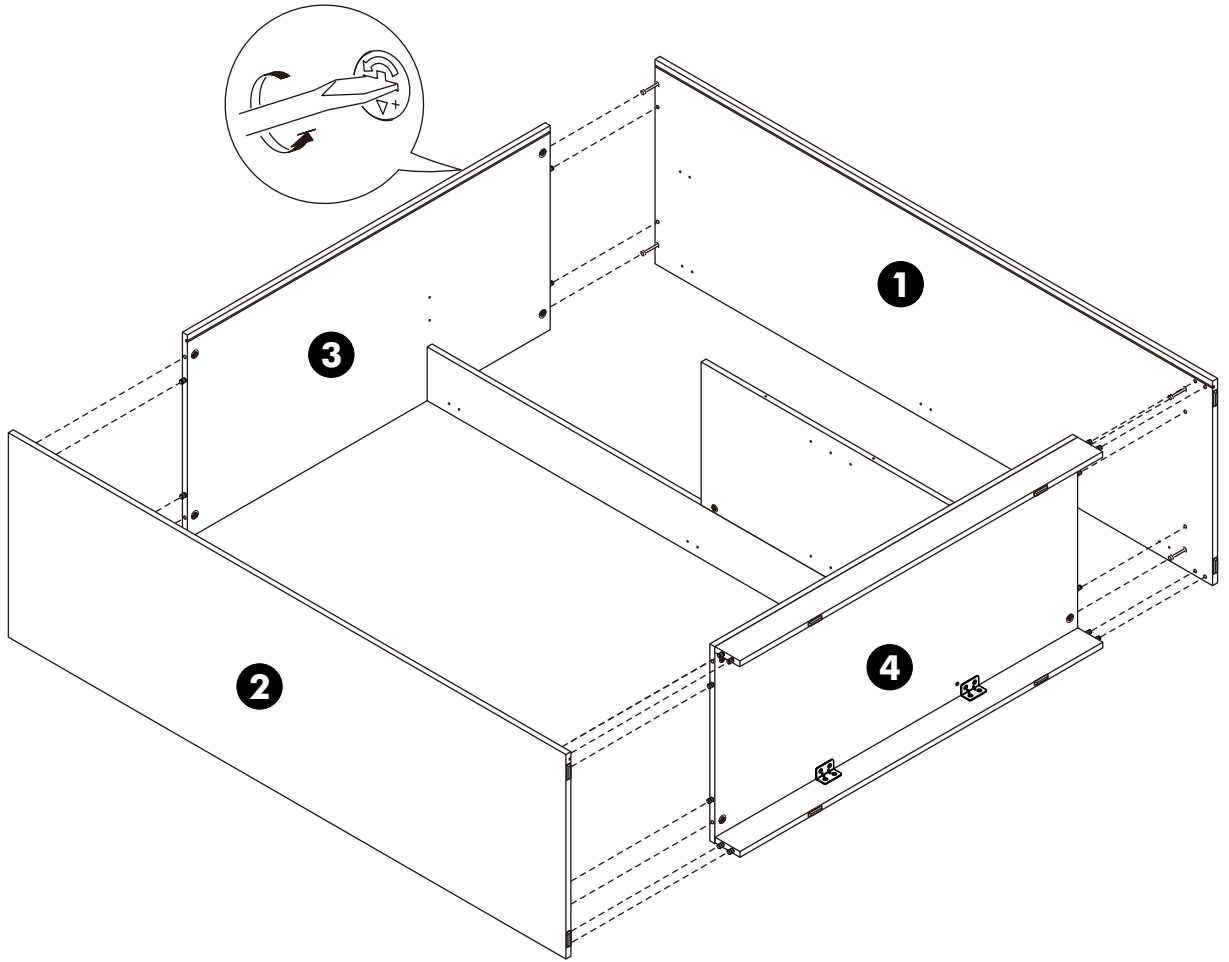
5.



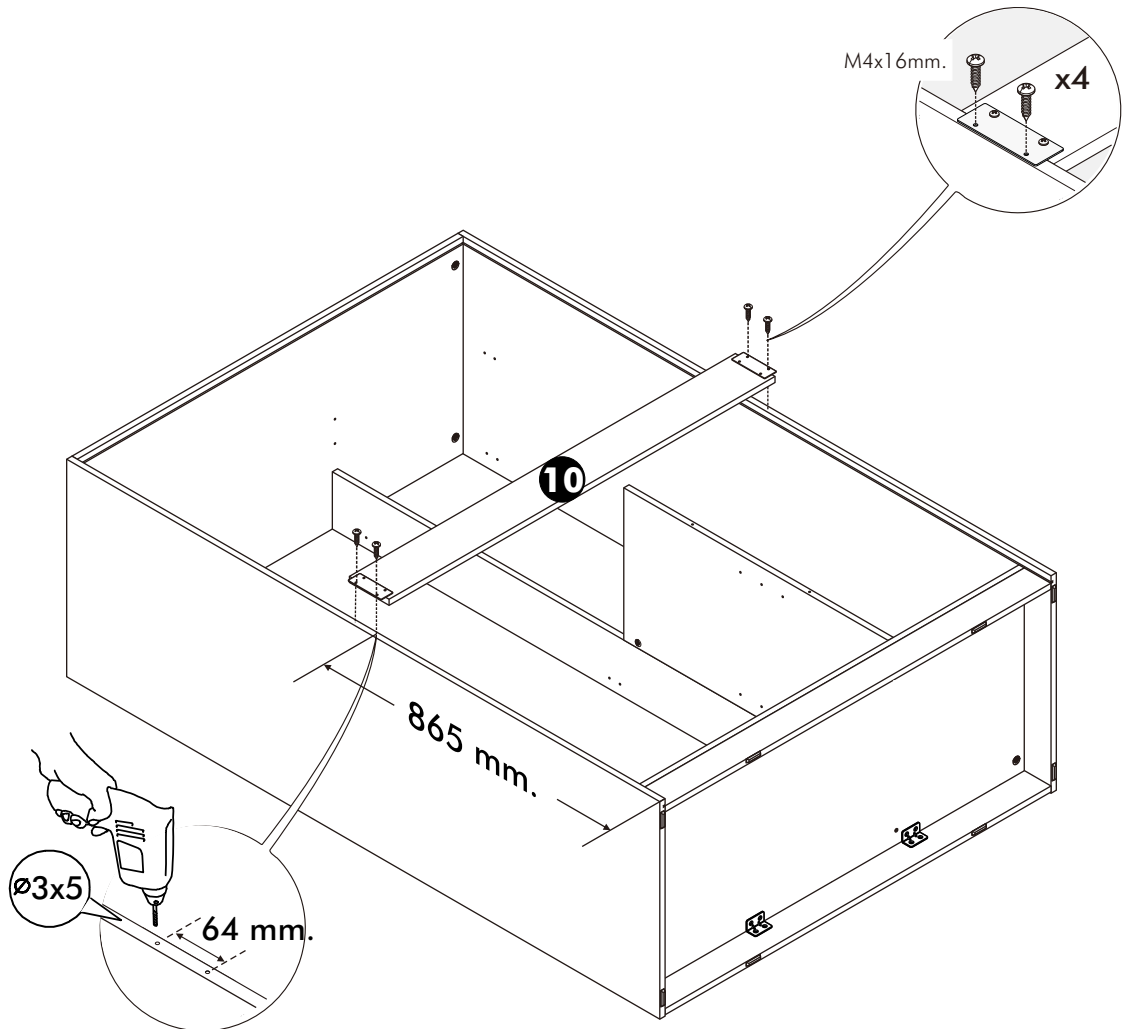
6.



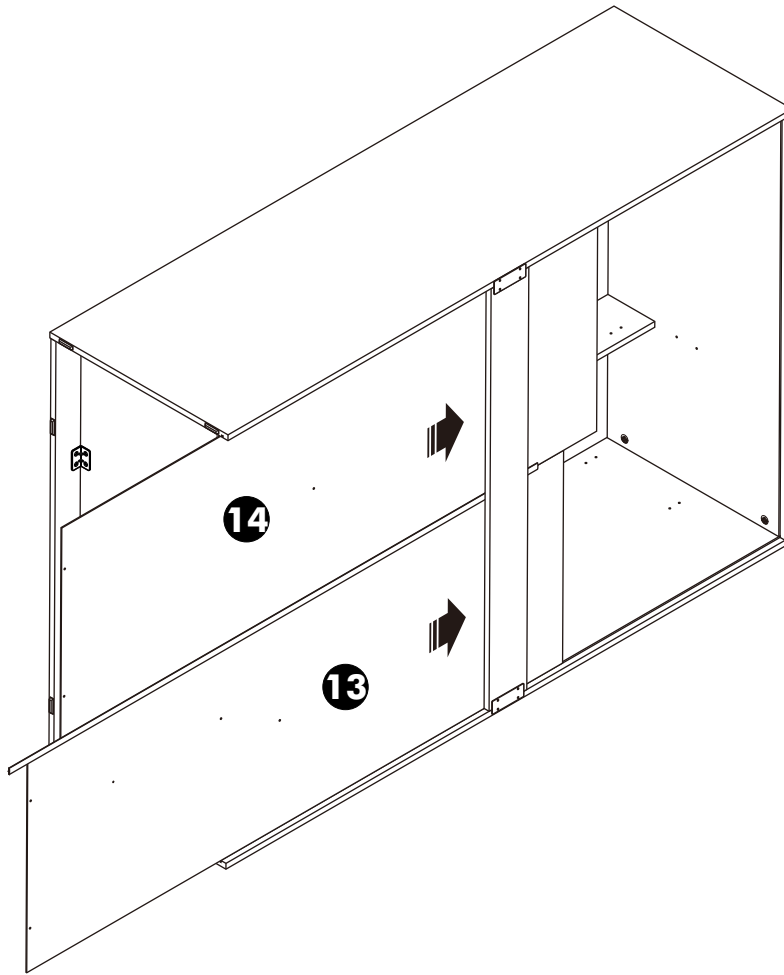
7.



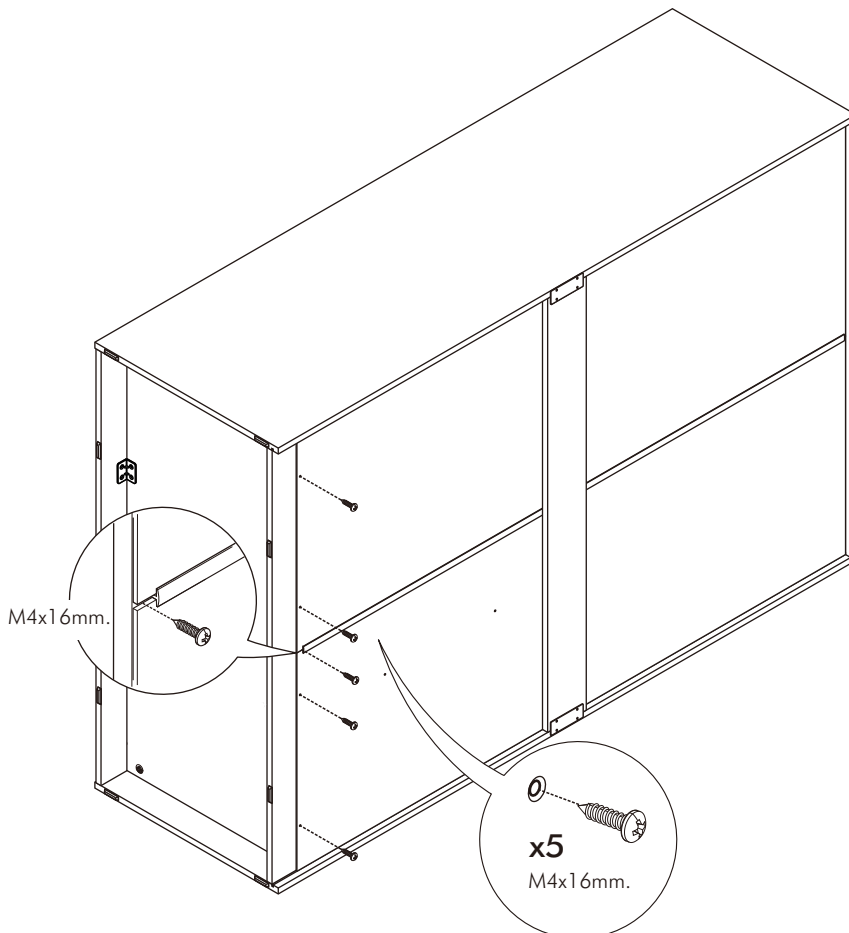
8.



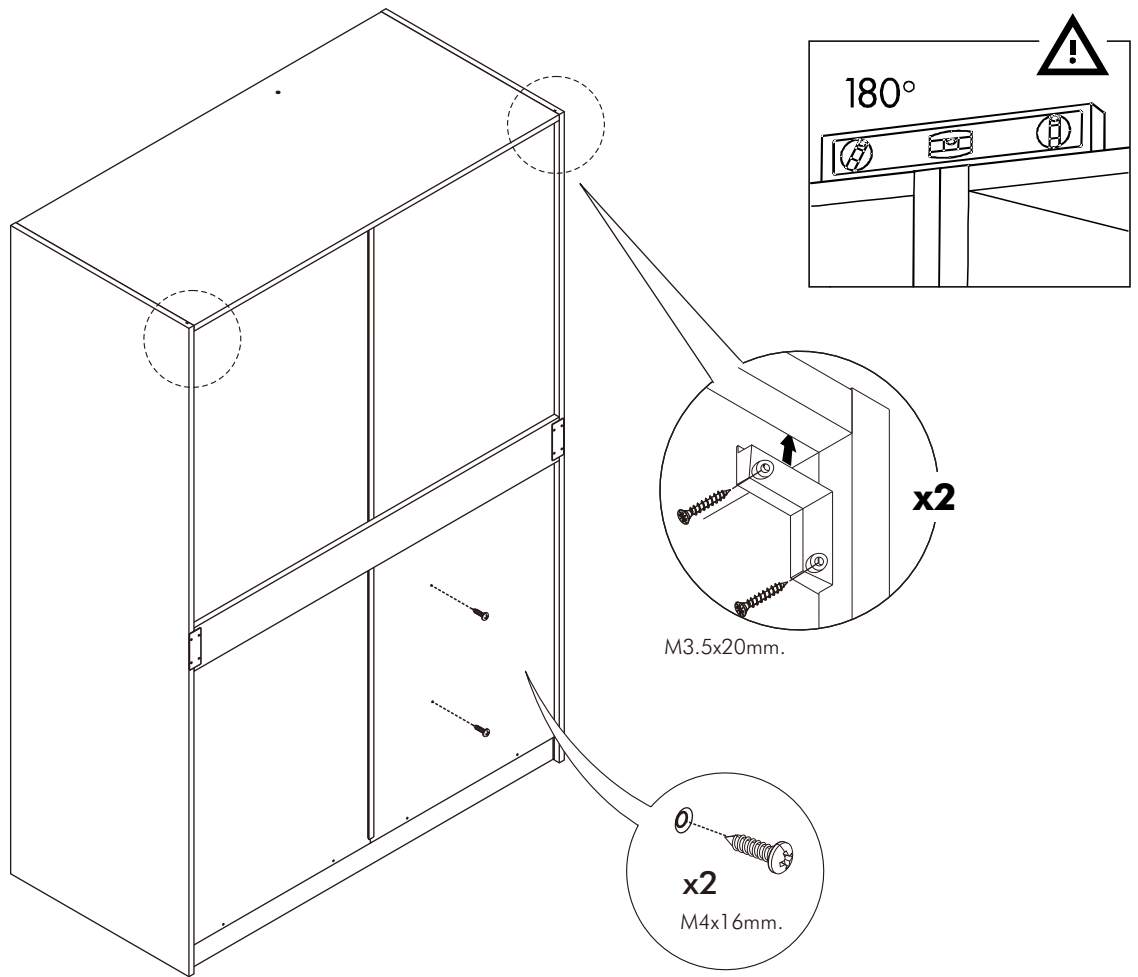
9.



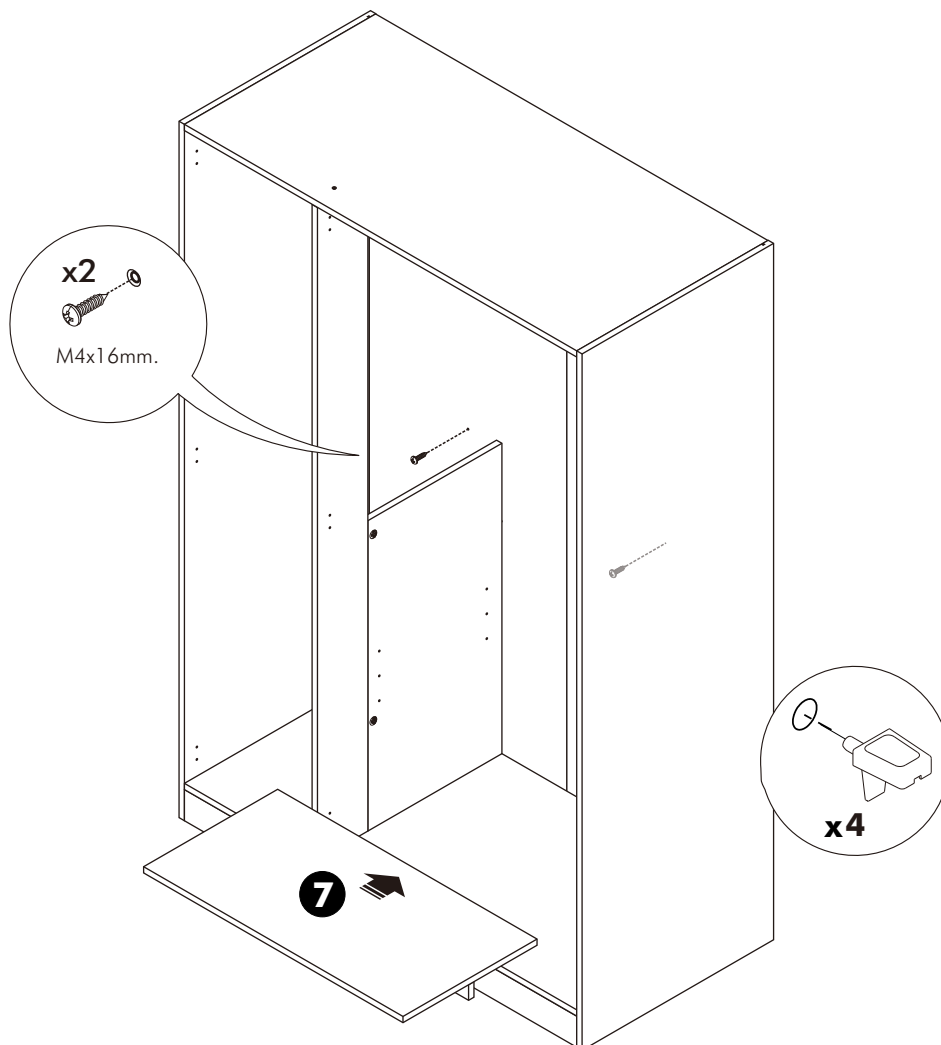
10.



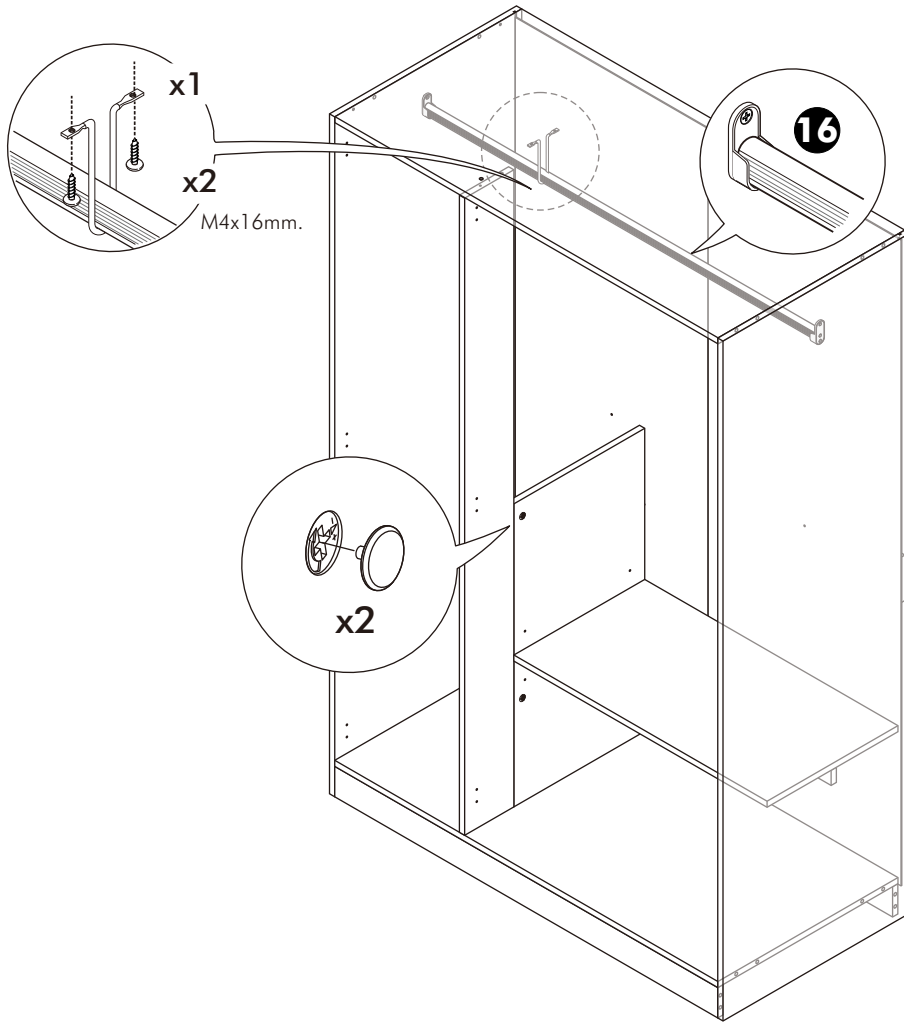
**11.**



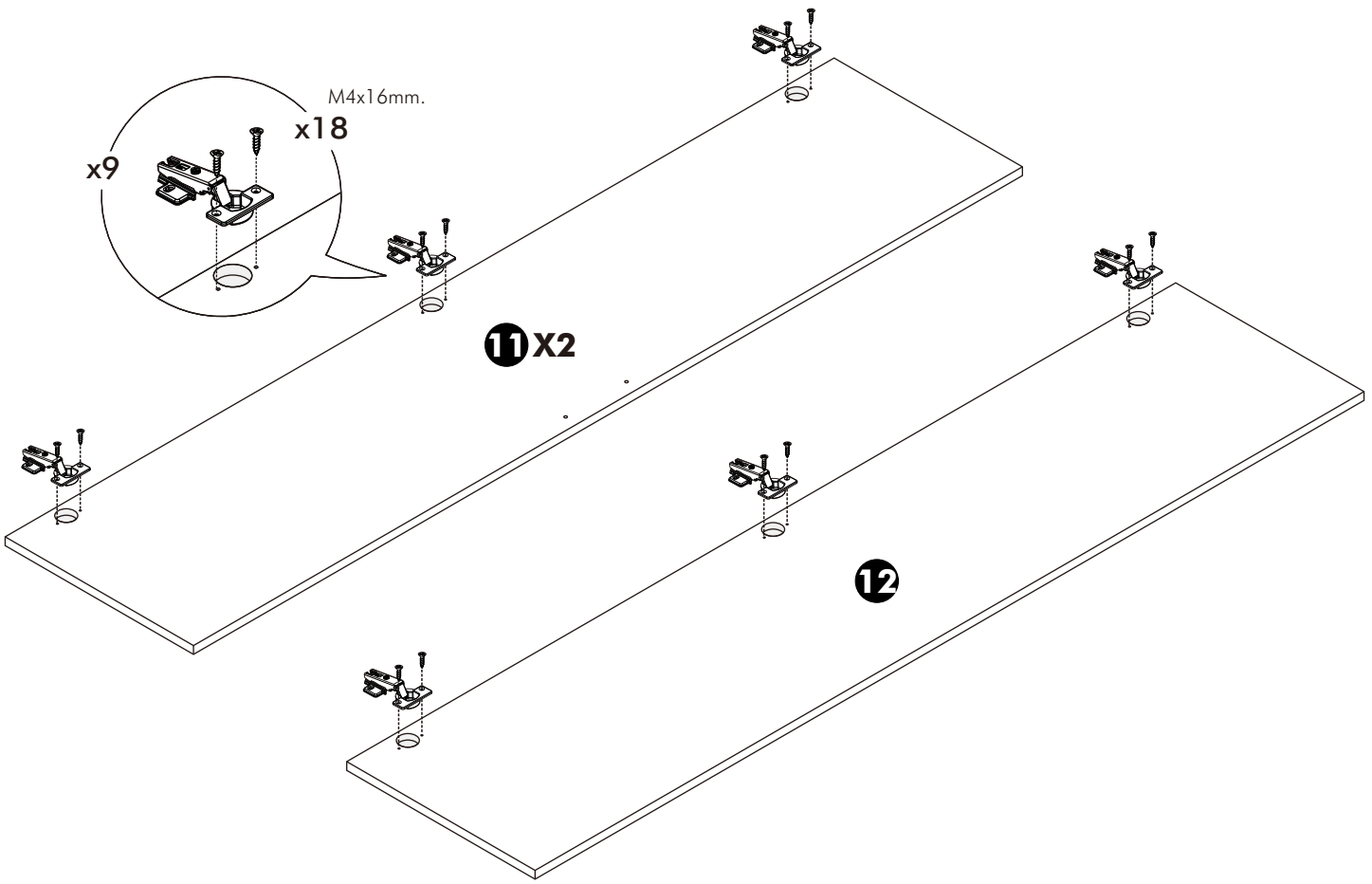
**12.**



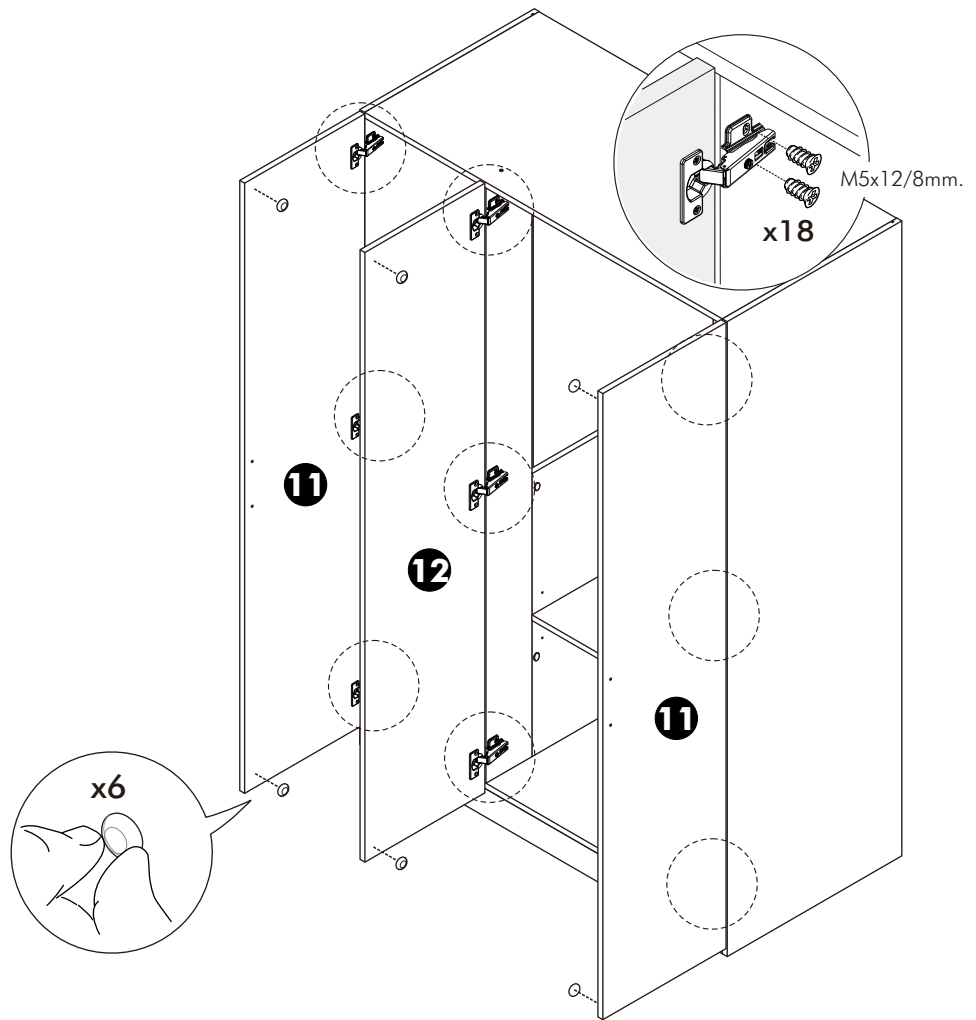
**13.**



**14.**



**15.**



**16.**

