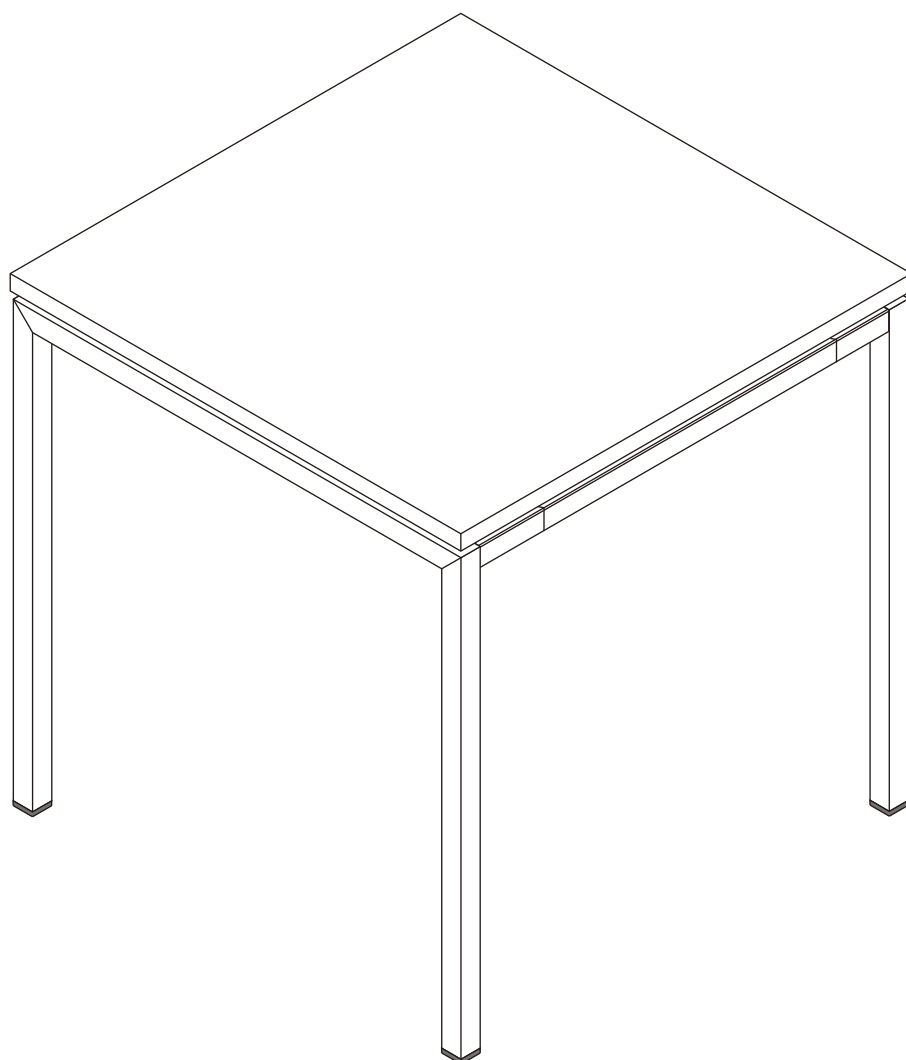


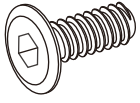
DANAIL-P

Dining Table/75



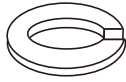
HARDWARE

-BODY SET



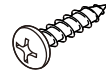
M6x13mm.

x 8



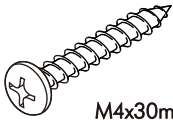
#1/4"

x 8



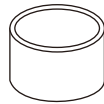
M4x20mm.(P)

x 4

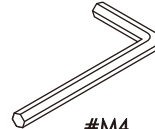


M4x30mm.(P)

x 4



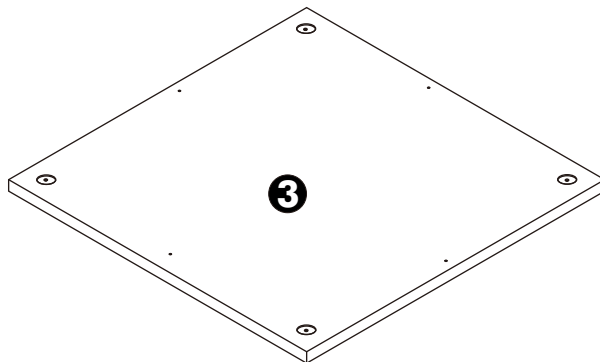
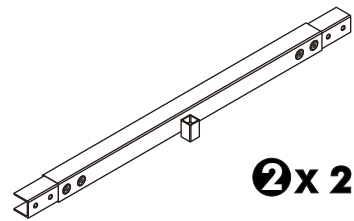
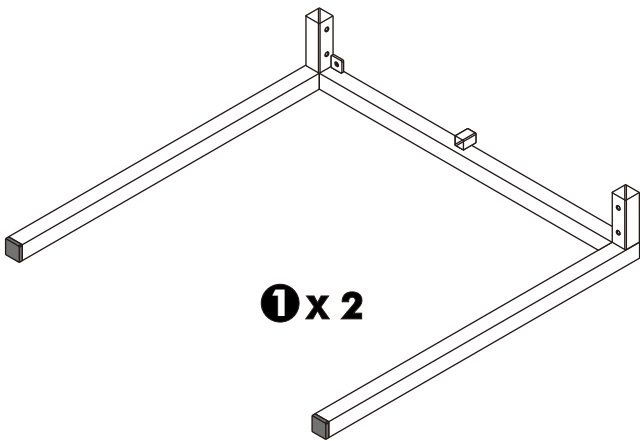
x 4



#M4

x 1

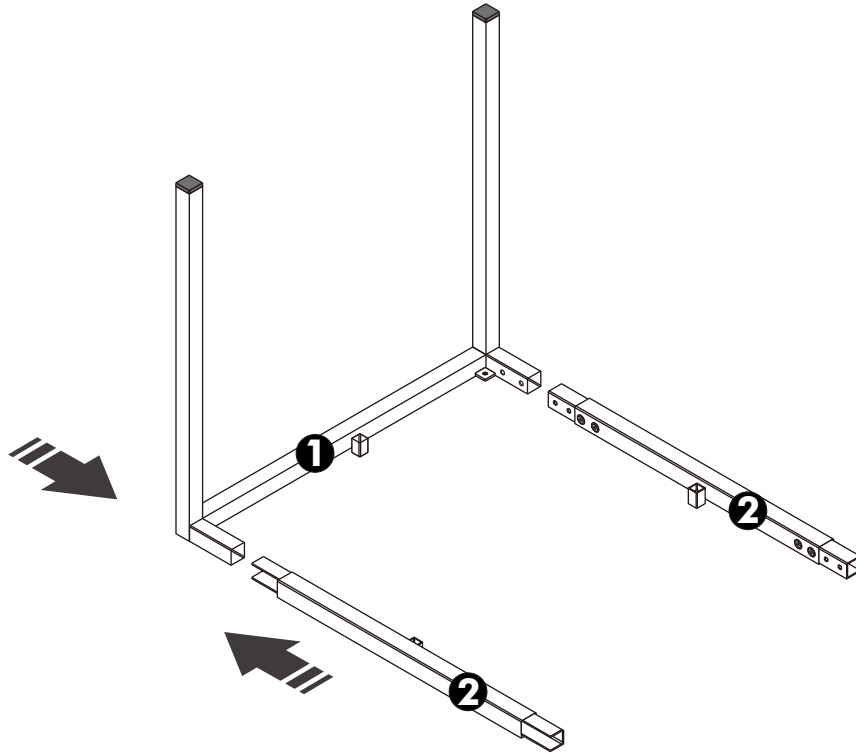
PART



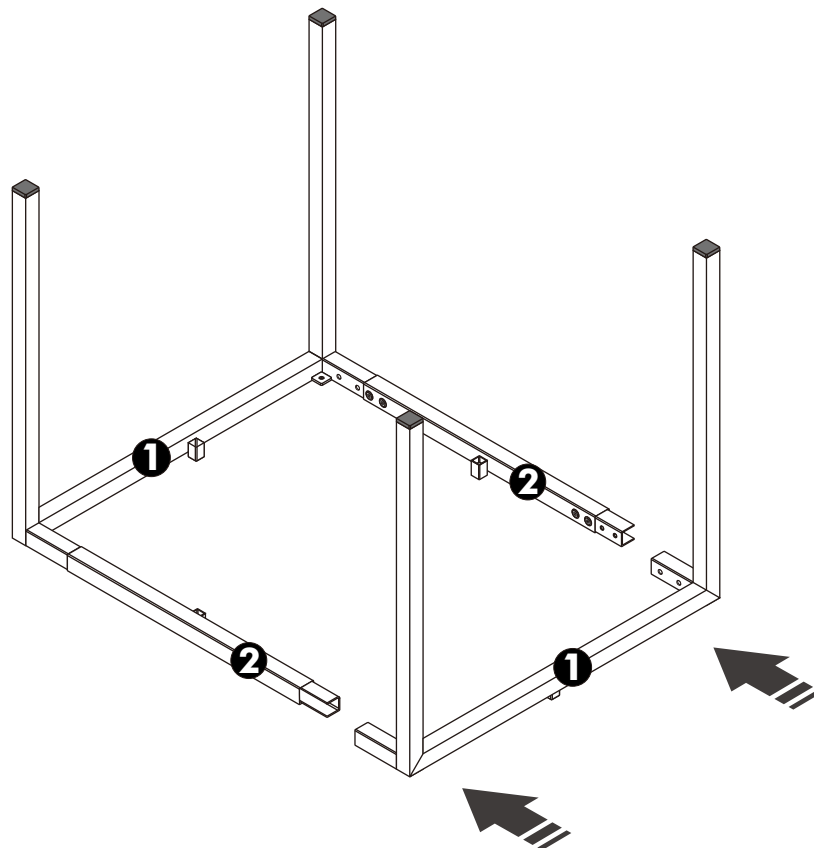
ASSEMBLY

-BODY SET

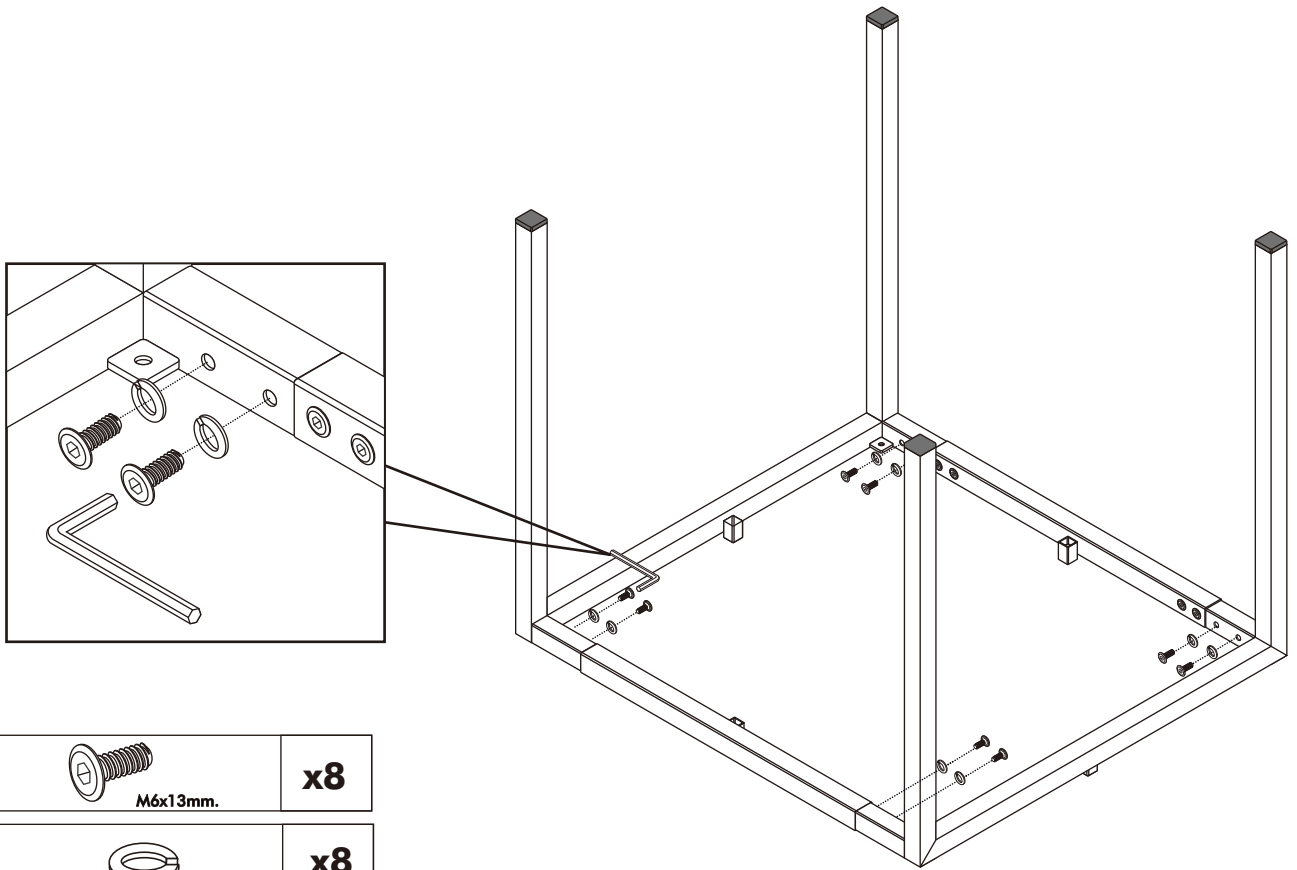
1.

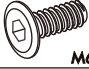




2.

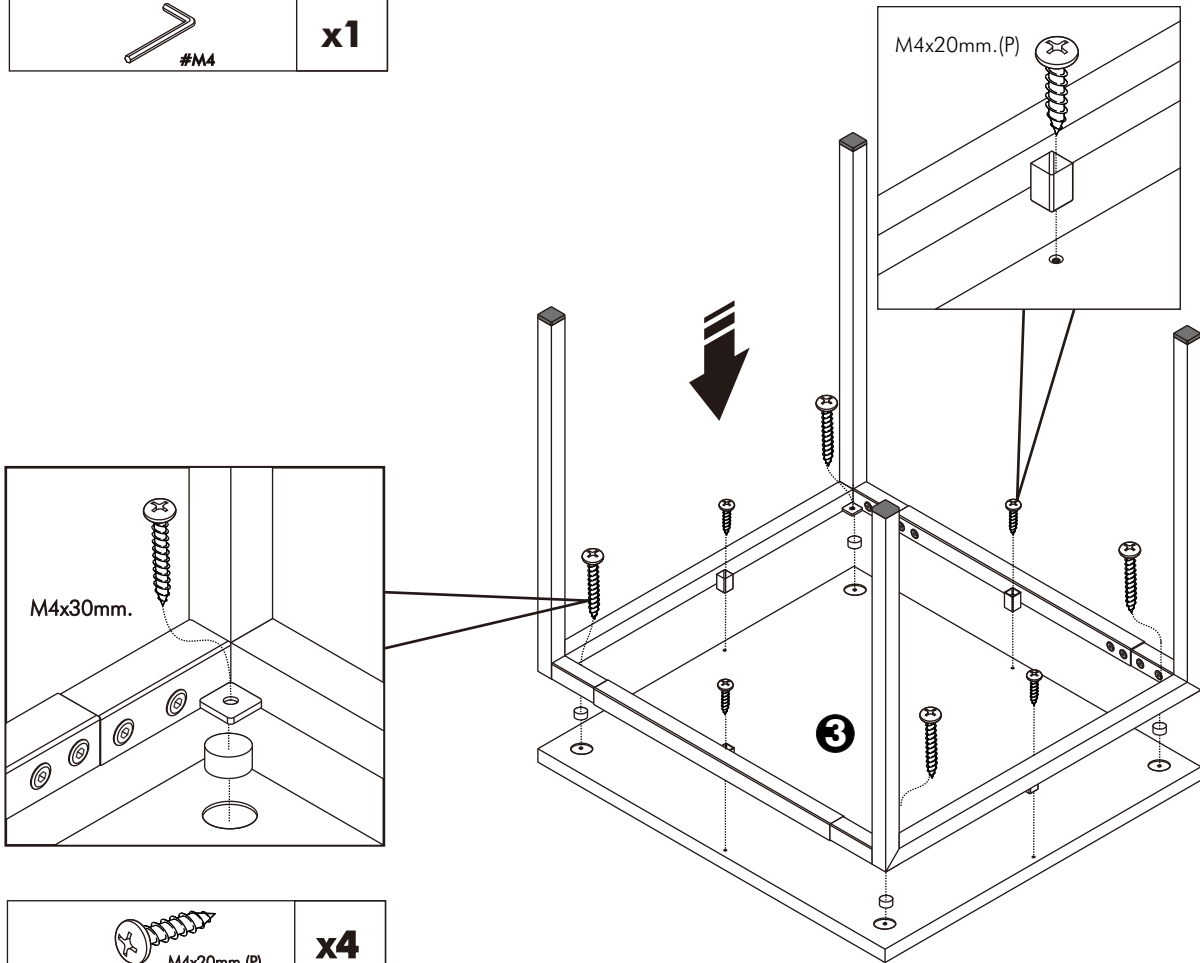




3.




 M6x13mm.	x8
 #1/4"	x8
 #M4	x1

4.



 M4x20mm.(P)	x4
 M4x30mm.(P)	x4

 #M4	x4
--	-----------