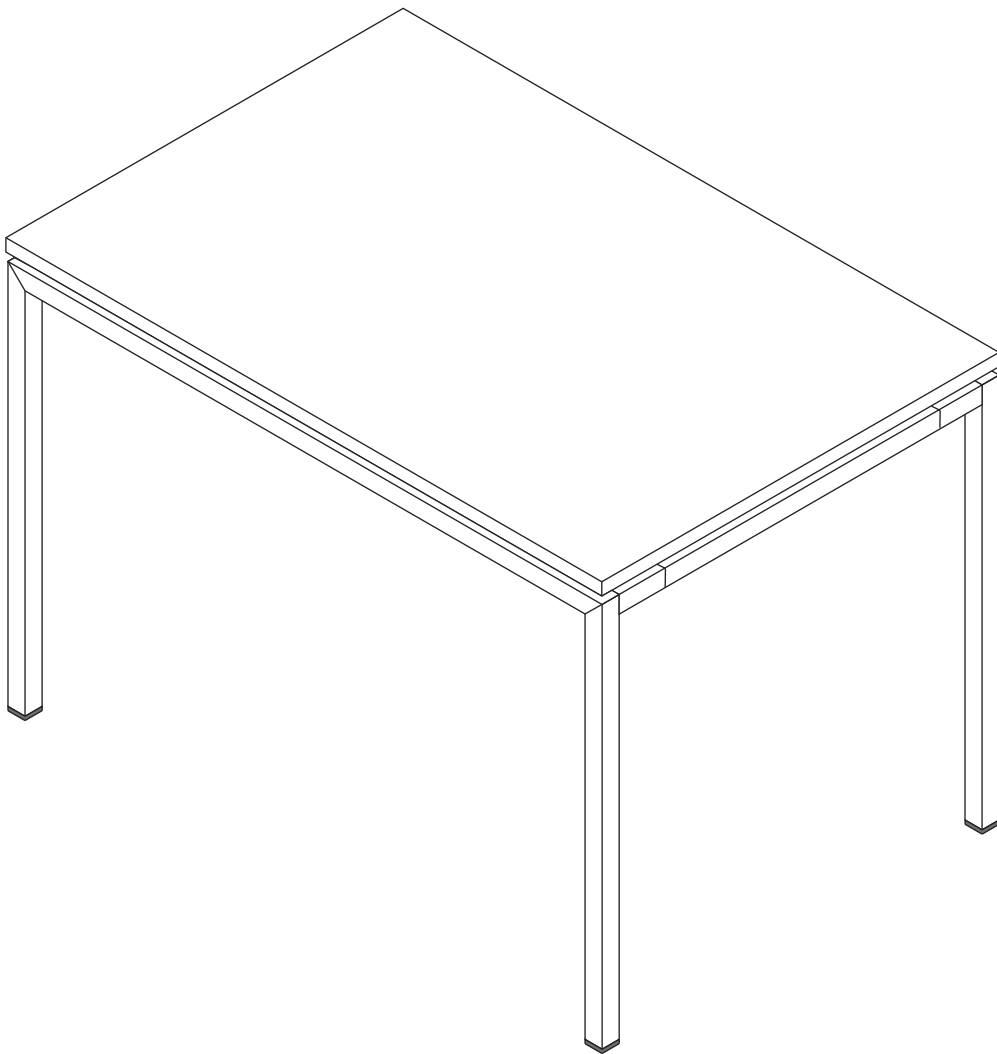
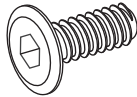


# DANAIL/P

**Dining Table / 120**

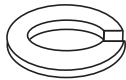


# HARDWARE



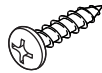
M6x13mm.

**x 8**



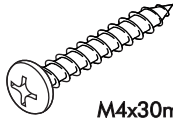
#1/4"

**x 8**



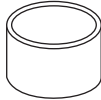
M4x20mm.(P)

**x 4**

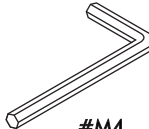


M4x30mm.(P)

**x 4**



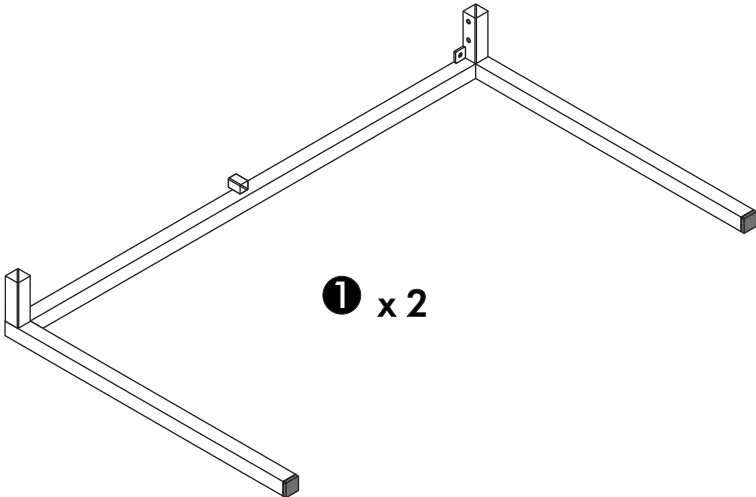
**x 4**



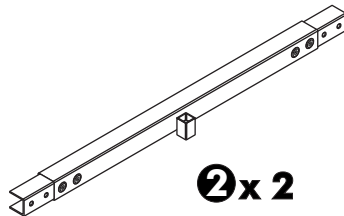
#M4

**x 1**

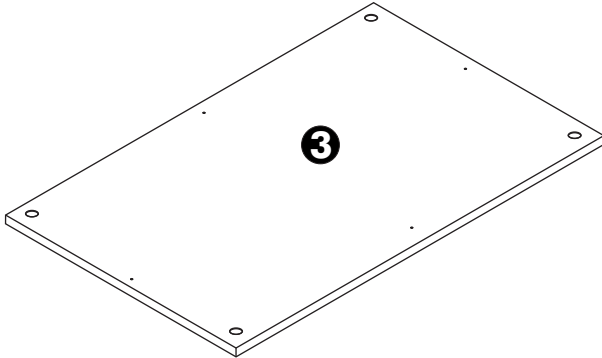
# PART



**1** x 2

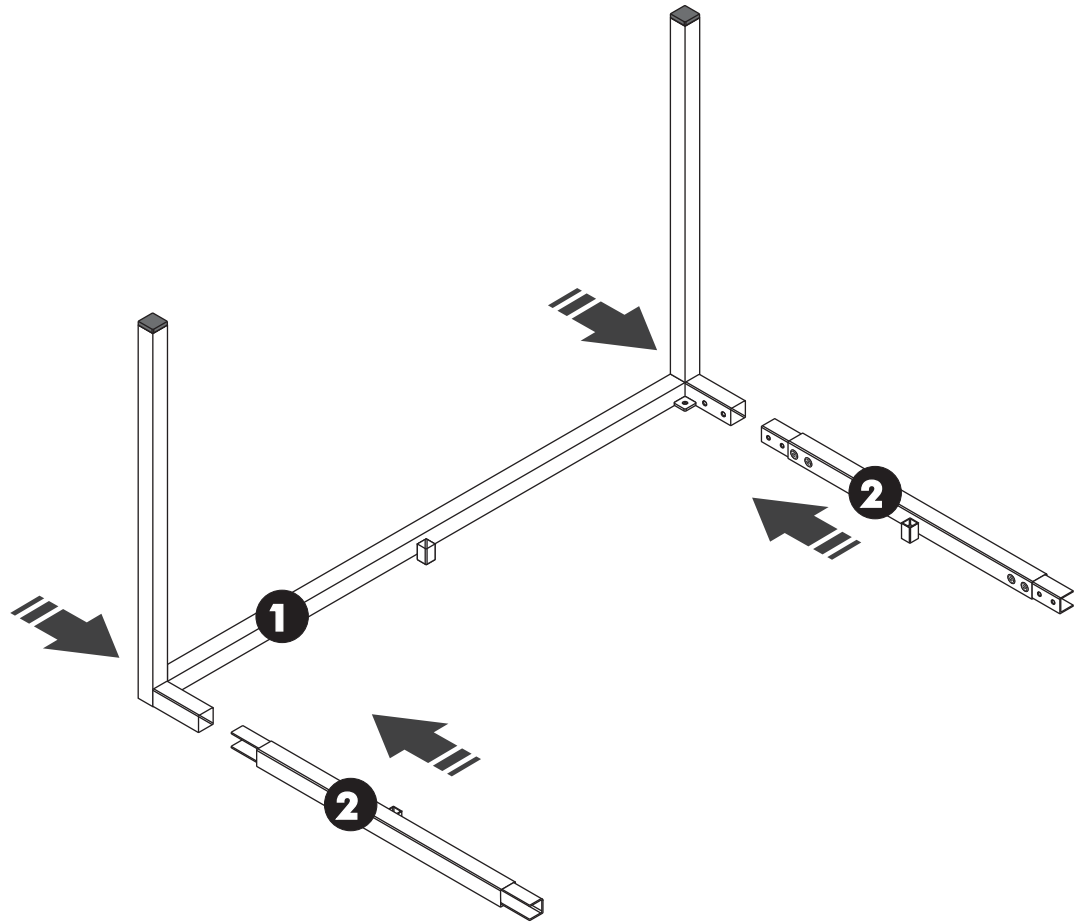


**2** x 2

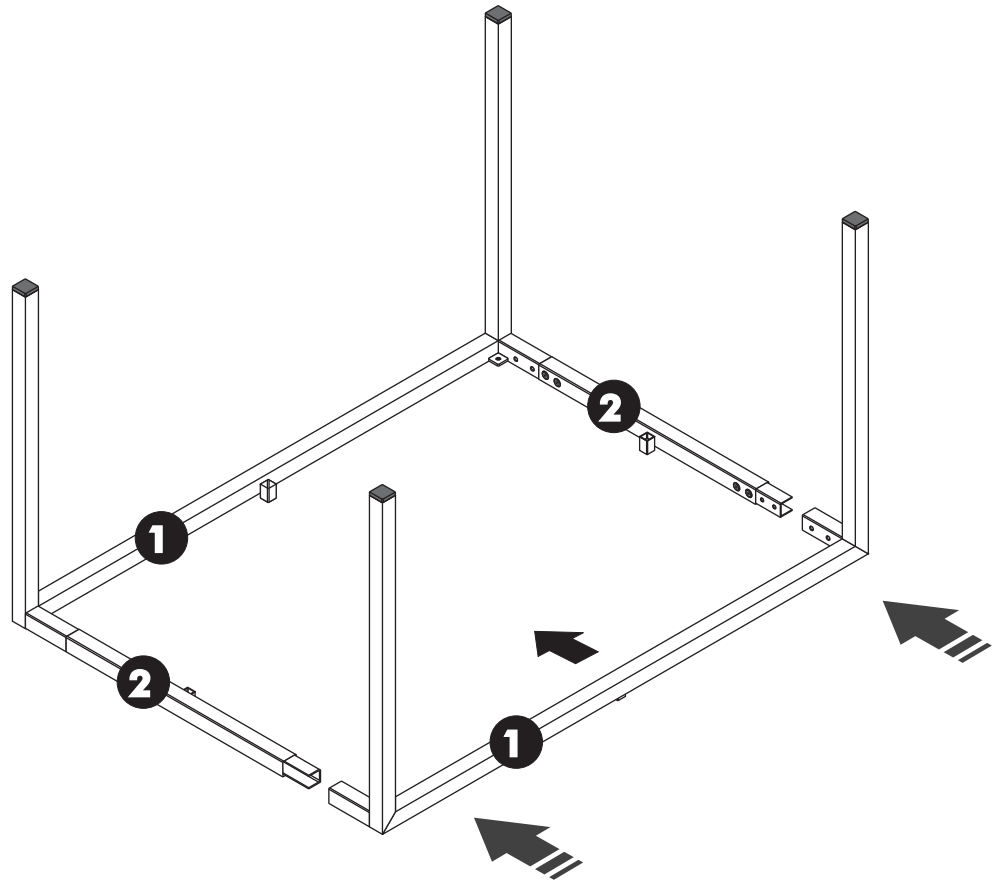


**3**

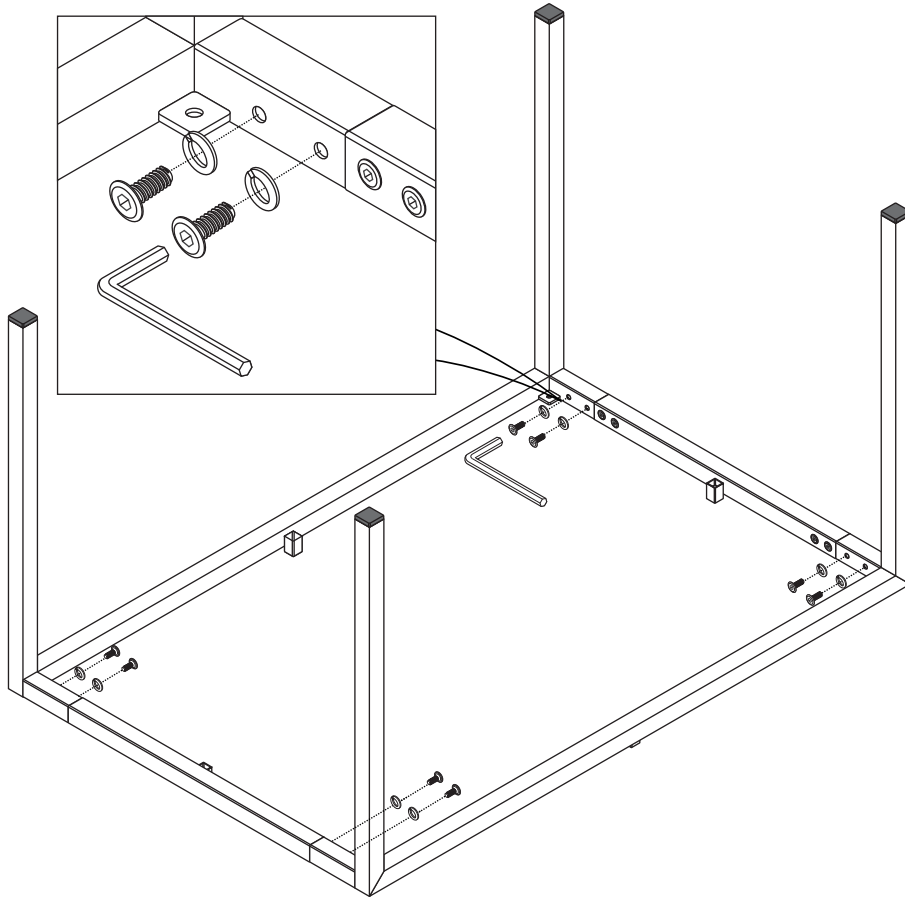
**1.**



**2.**

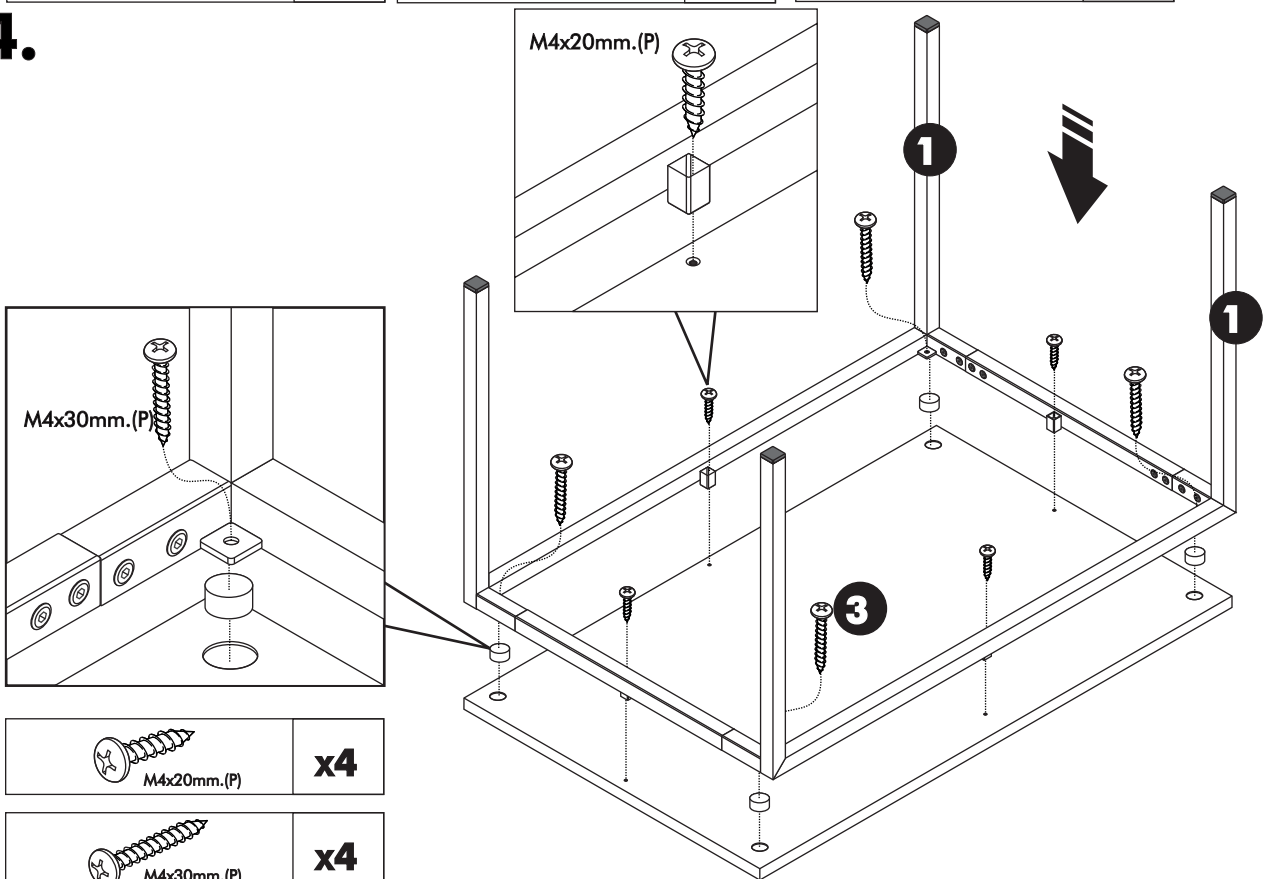



**3.**





 <b>M6x13mm.</b> <b>x8</b>	 <b>#1/4"</b> <b>x8</b>	 <b>#M4</b> <b>x1</b>
---	--	--

**4.**



 <b>M4x20mm.(P)</b> <b>x4</b>
--

 <b>M4x30mm.(P)</b> <b>x4</b>
--

 <b>x4</b>
---