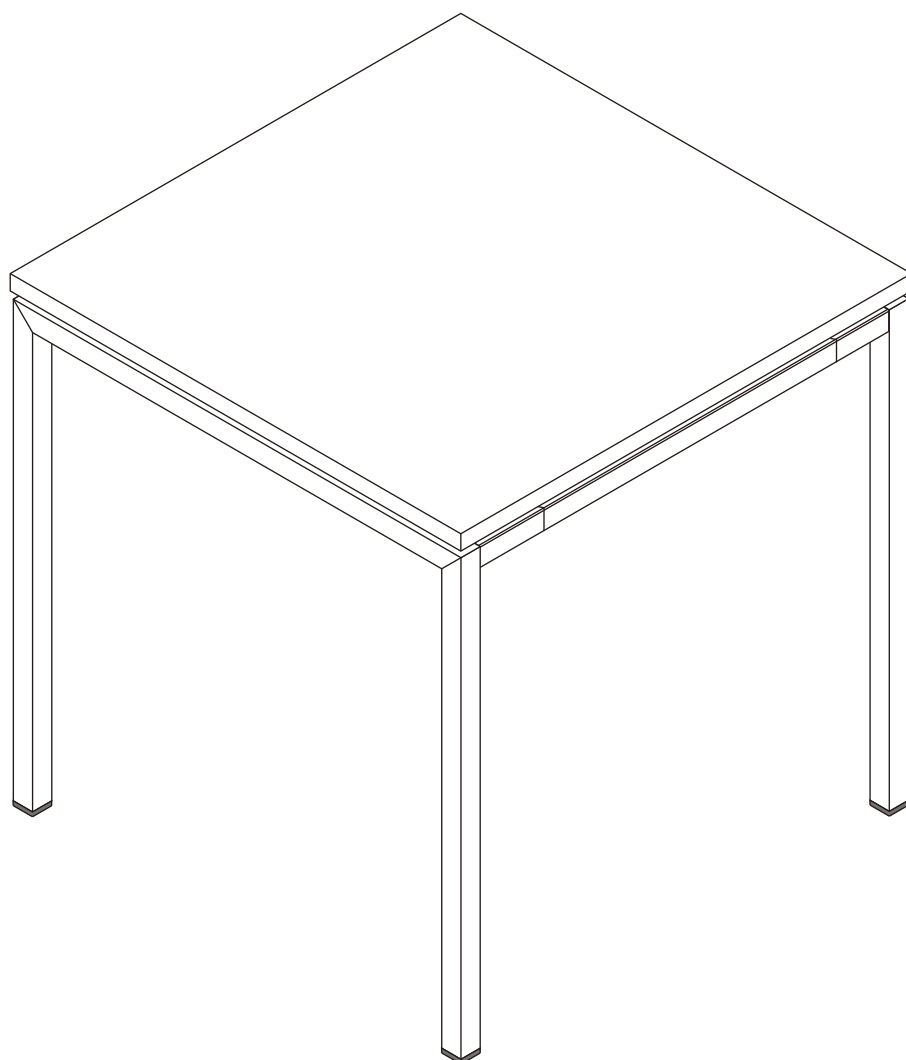


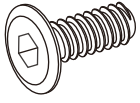
DANAIL-P

Dining Table/75



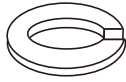
HARDWARE

-BODY SET



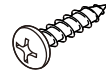
M6x13mm.

x 8



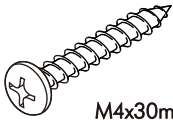
#1/4"

x 8



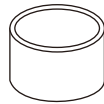
M4x20mm.(P)

x 4

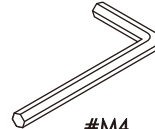


M4x30mm.(P)

x 4



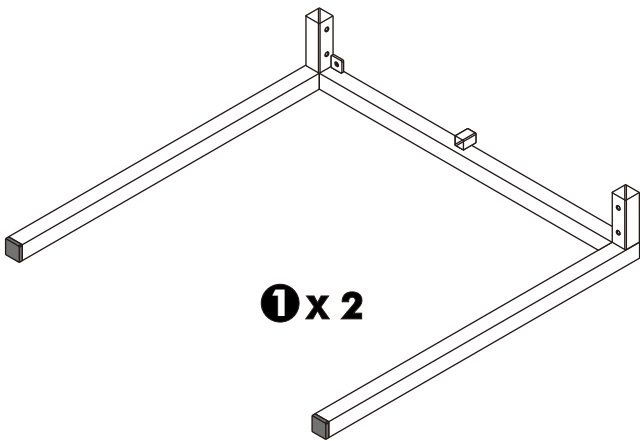
x 4



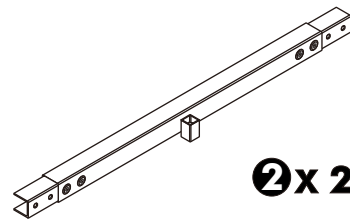
#M4

x 1

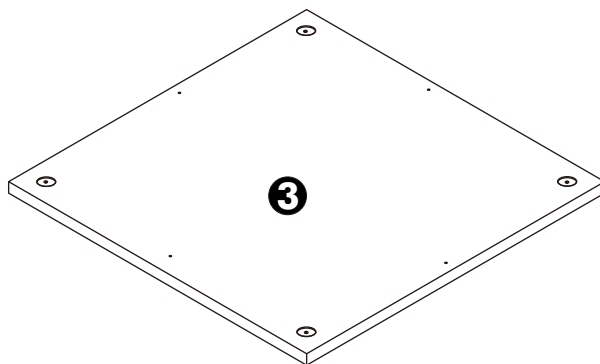
PART



① x 2



② x 2

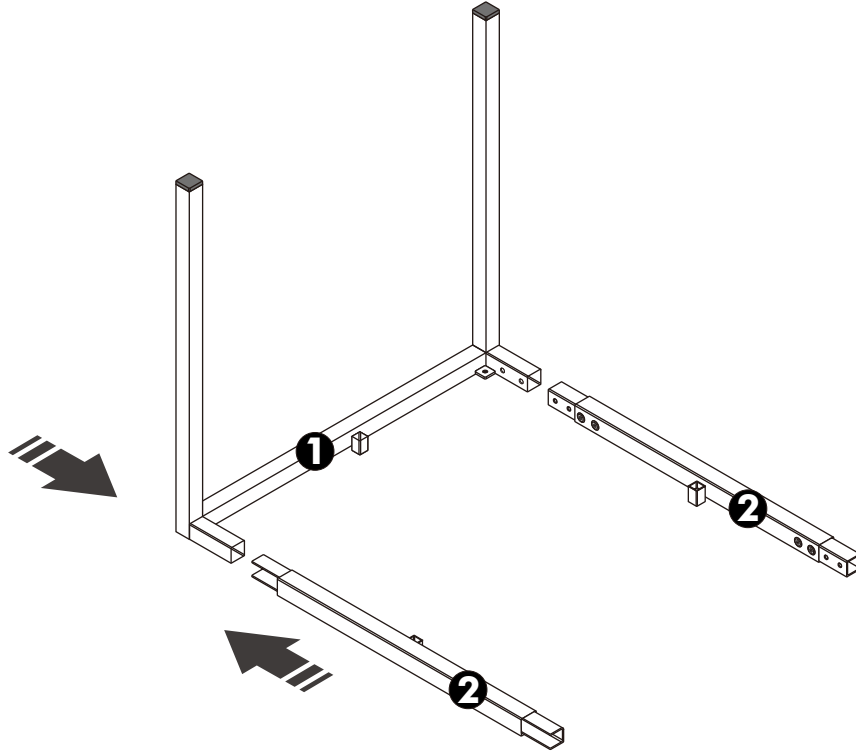


③

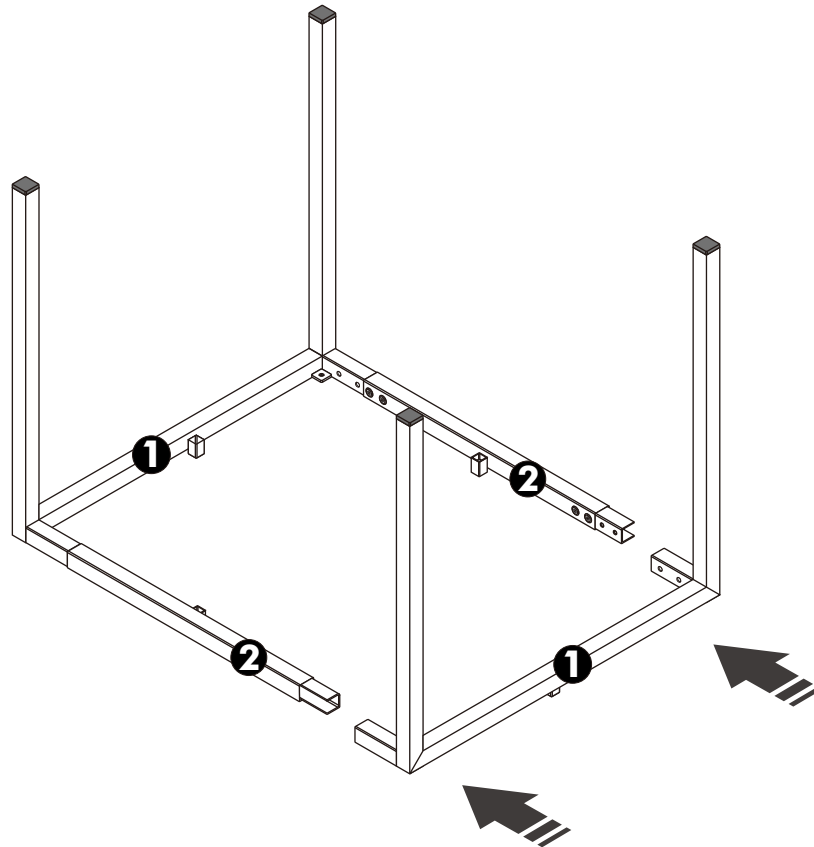
ASSEMBLY

-BODY SET

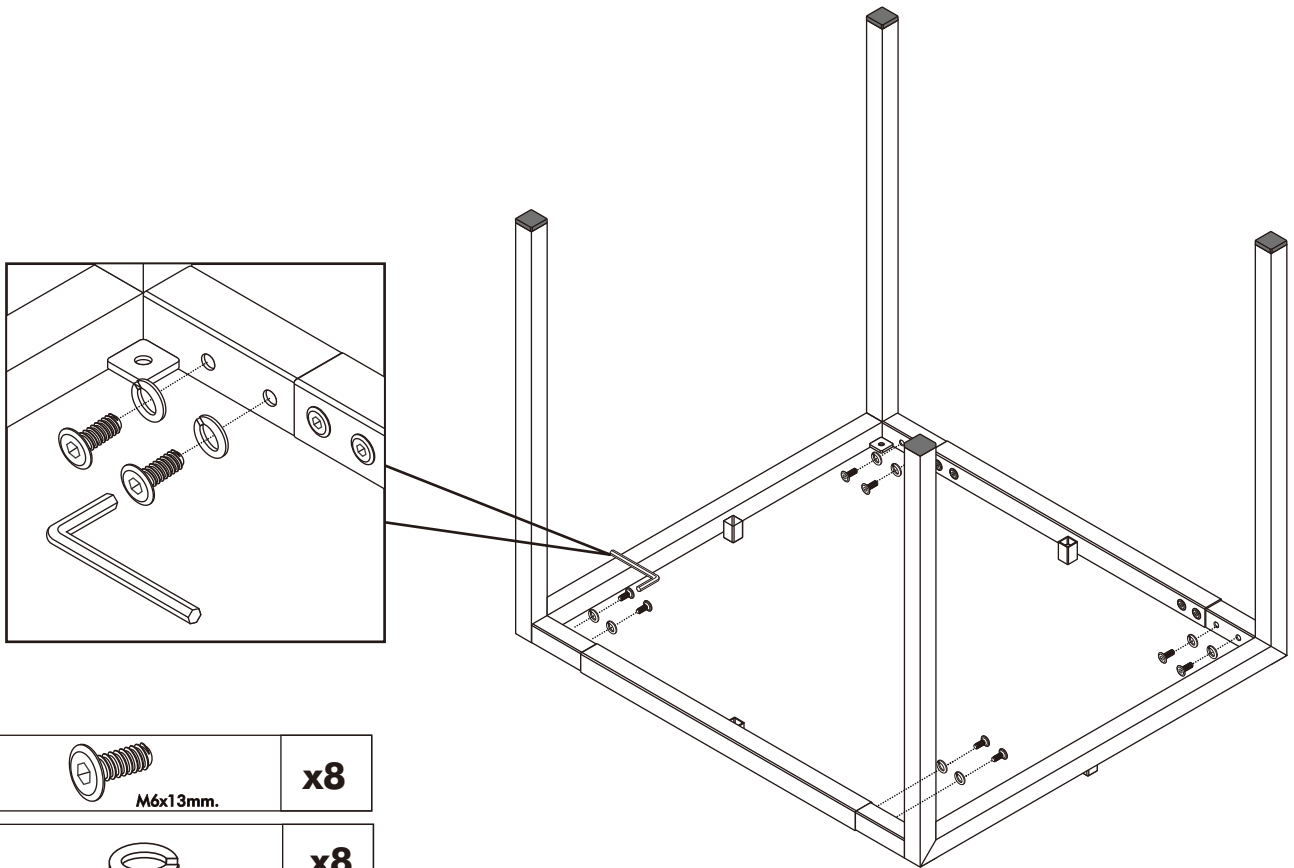
1.

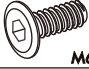




2.

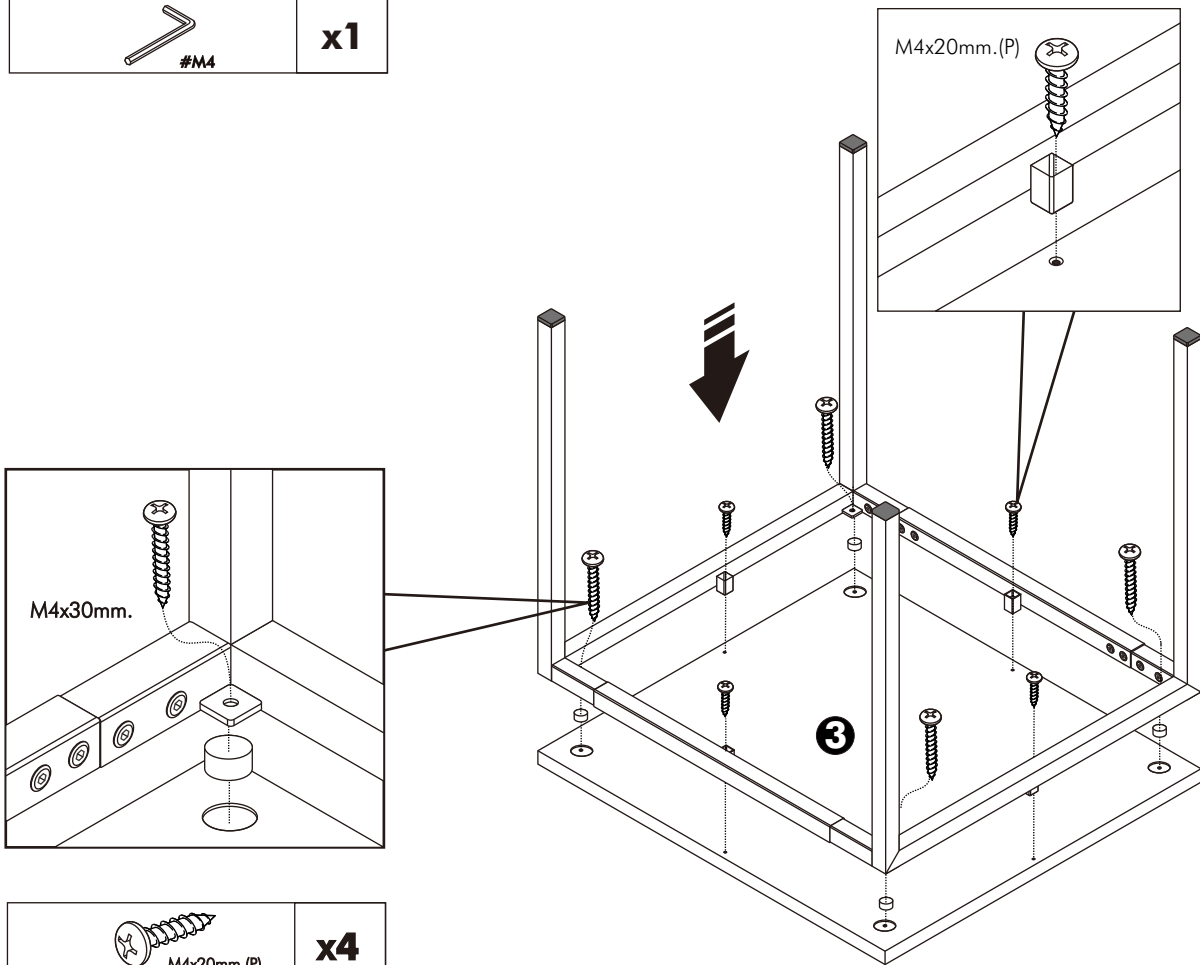




3.




| | |
|-----------------------------------------------------------------------------------------------|-----------|
|  M6x13mm. | x8 |
|  #1/4" | x8 |
|  #M4 | x1 |

4.



| | |
|----------------------------------------------------------------------------------------------------|-----------|
|  M4x20mm.(P) | x4 |
|  M4x30mm.(P) | x4 |

| | |
|-------------------------------------------------------------------------------------|-----------|
|  | x4 |
|-------------------------------------------------------------------------------------|-----------|