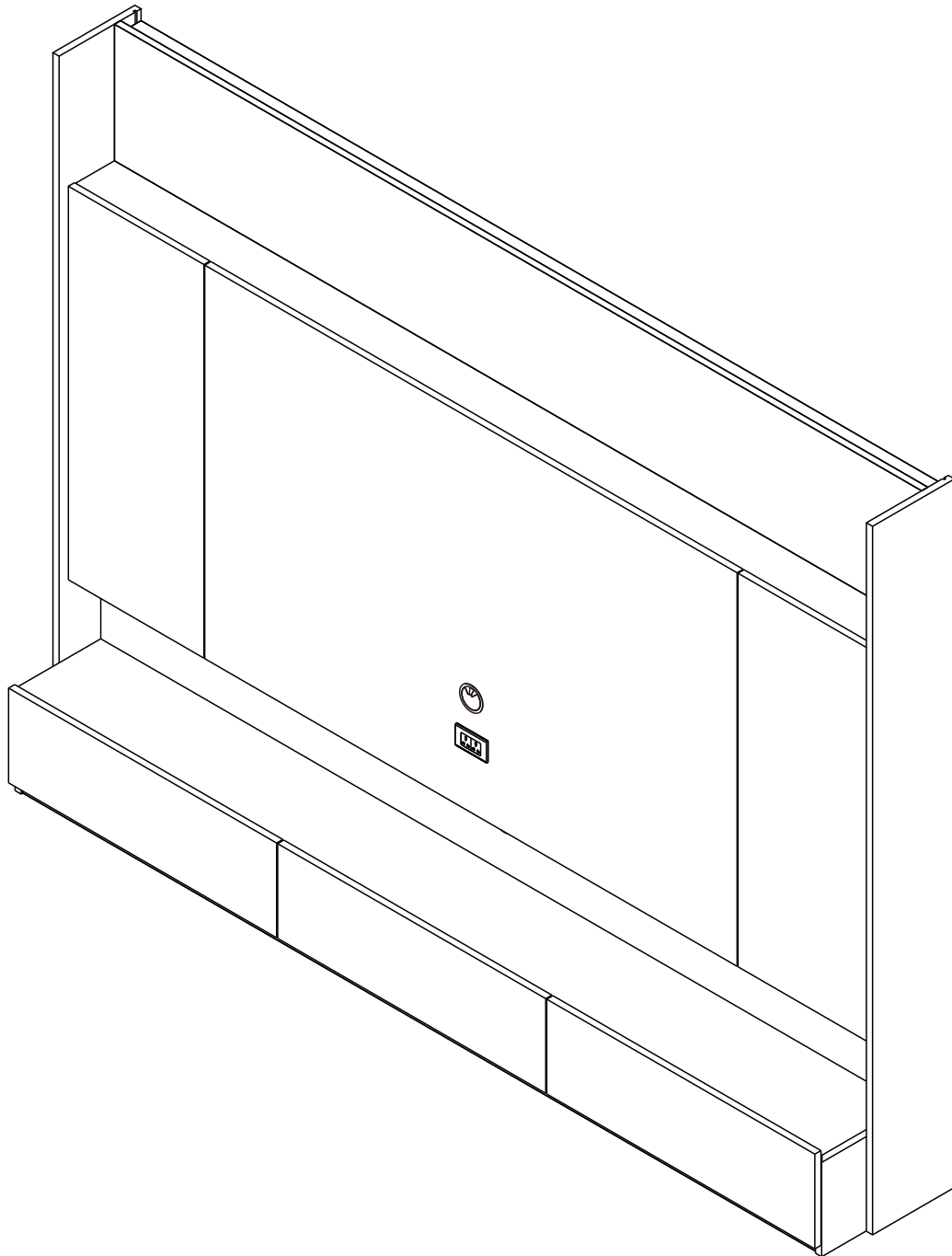
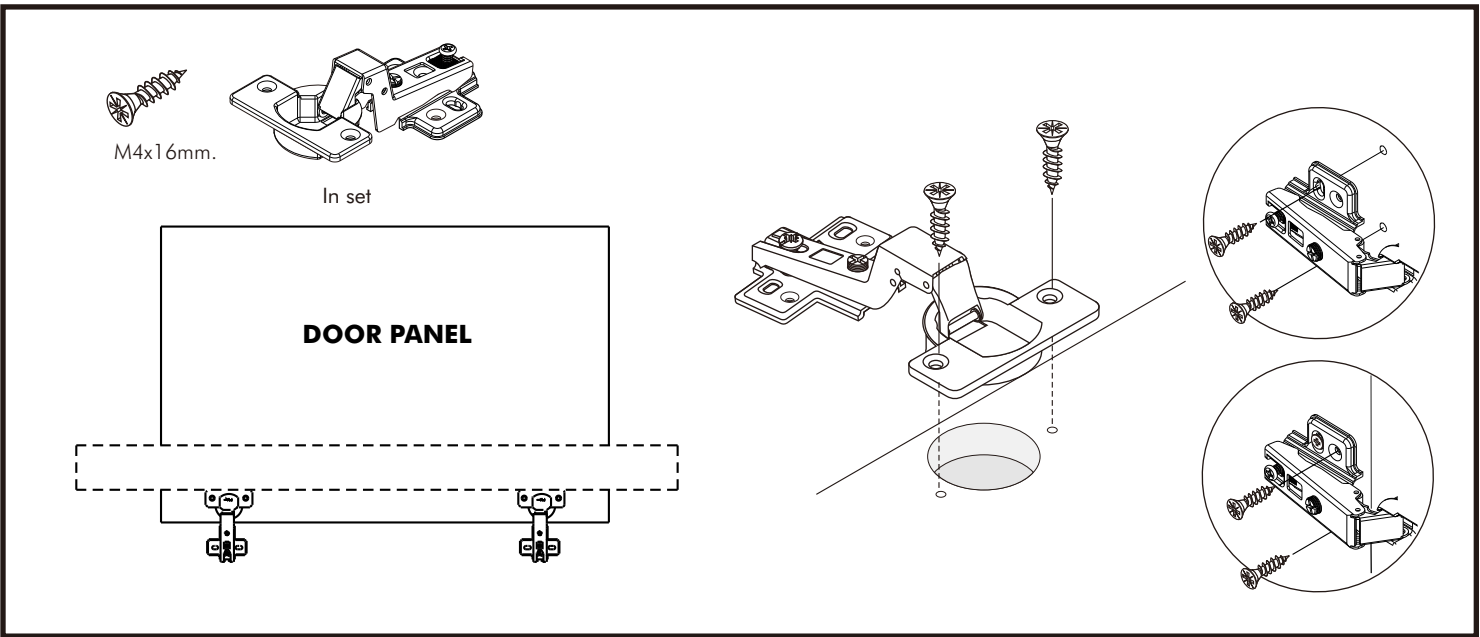
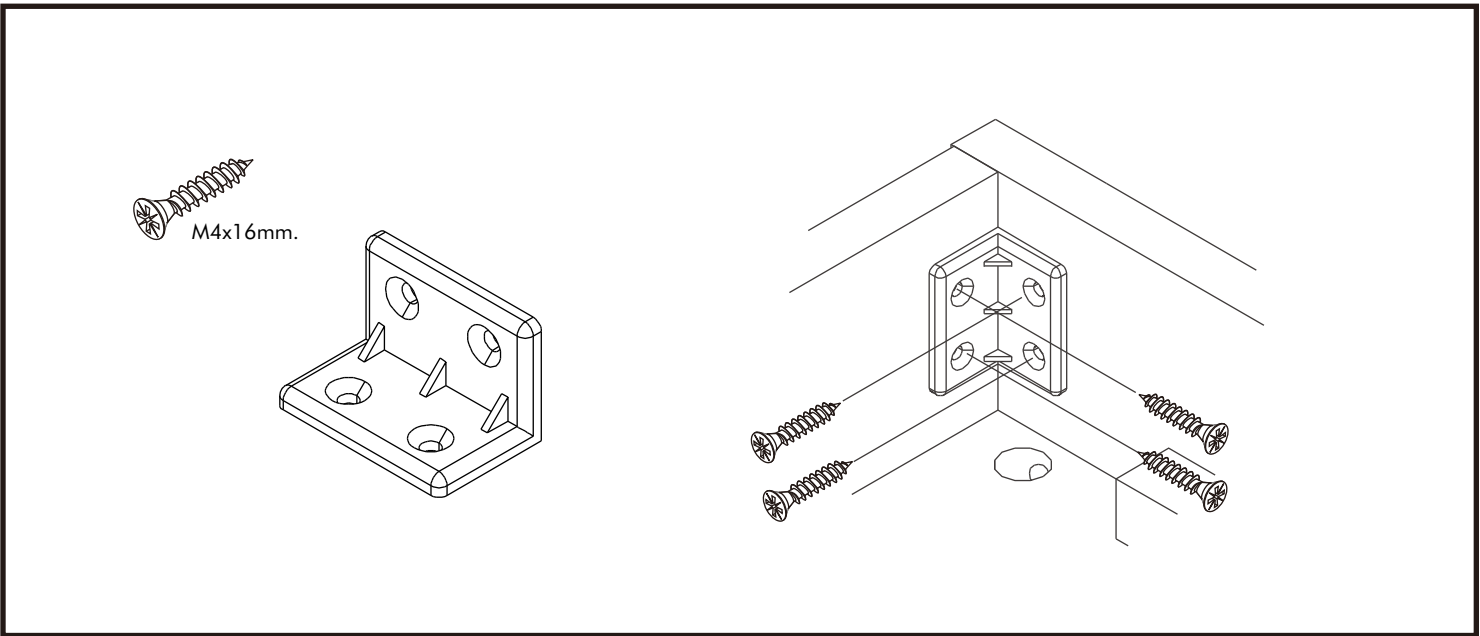
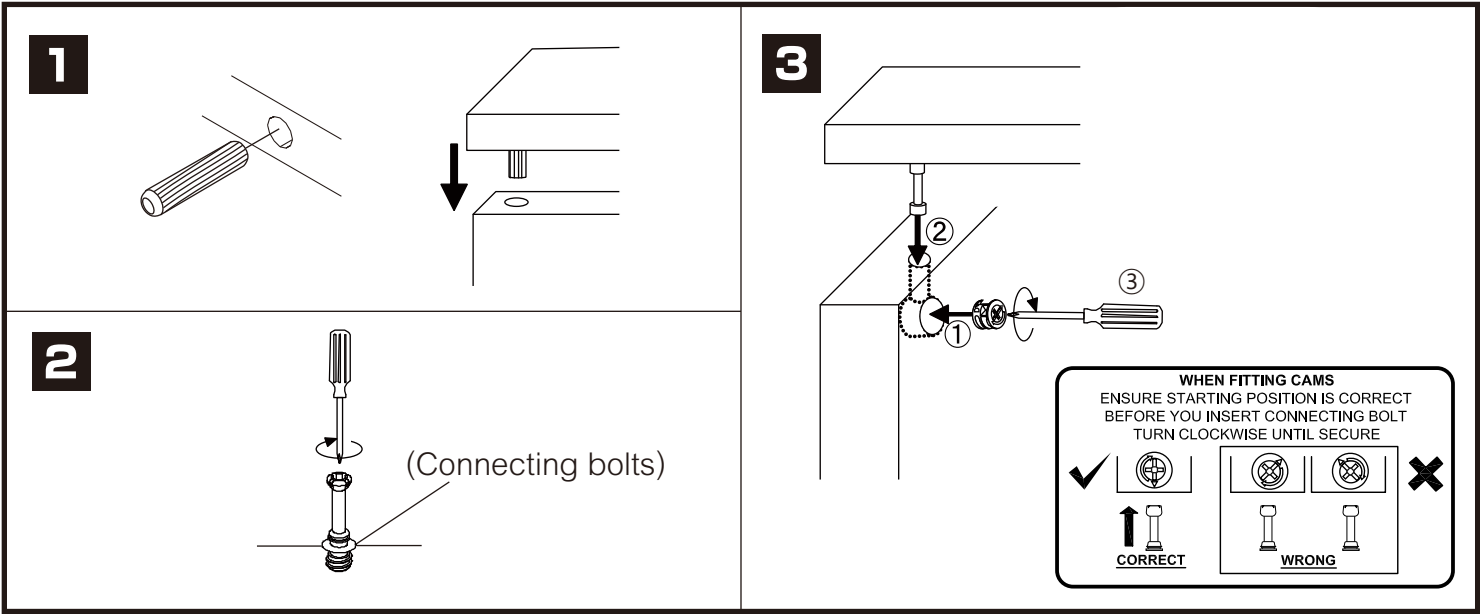


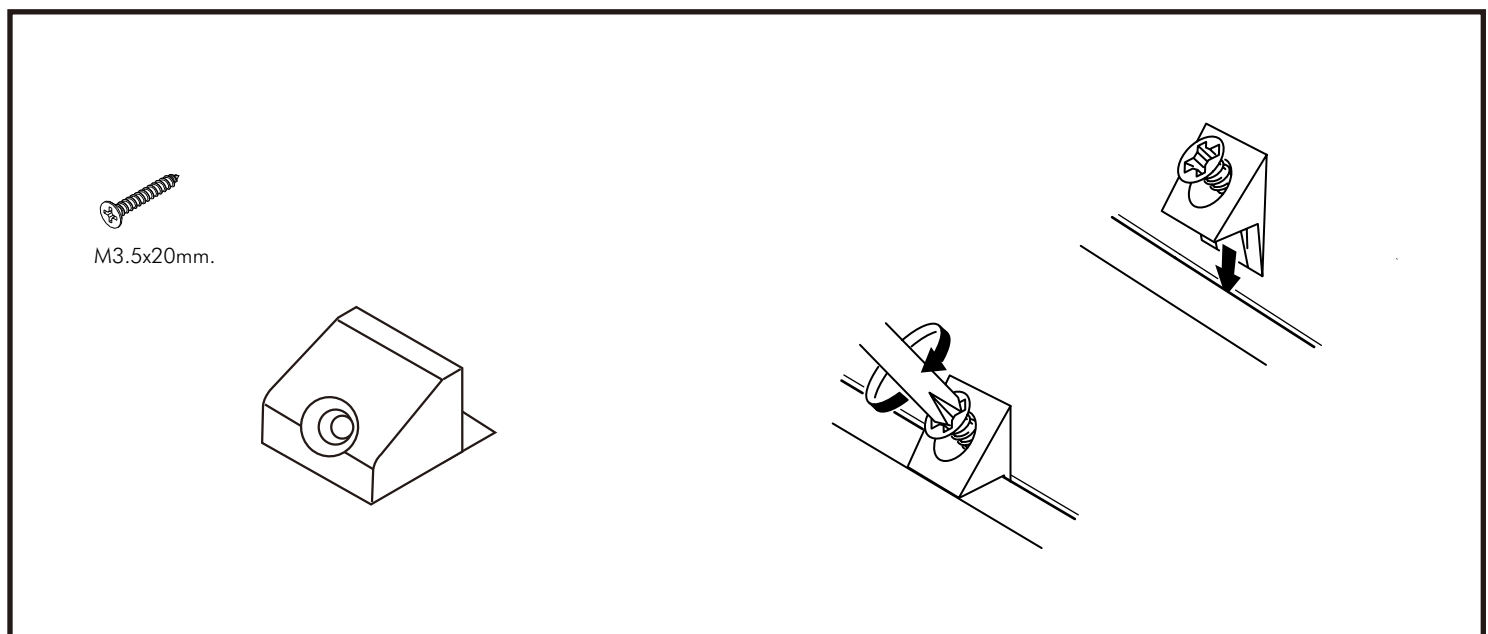
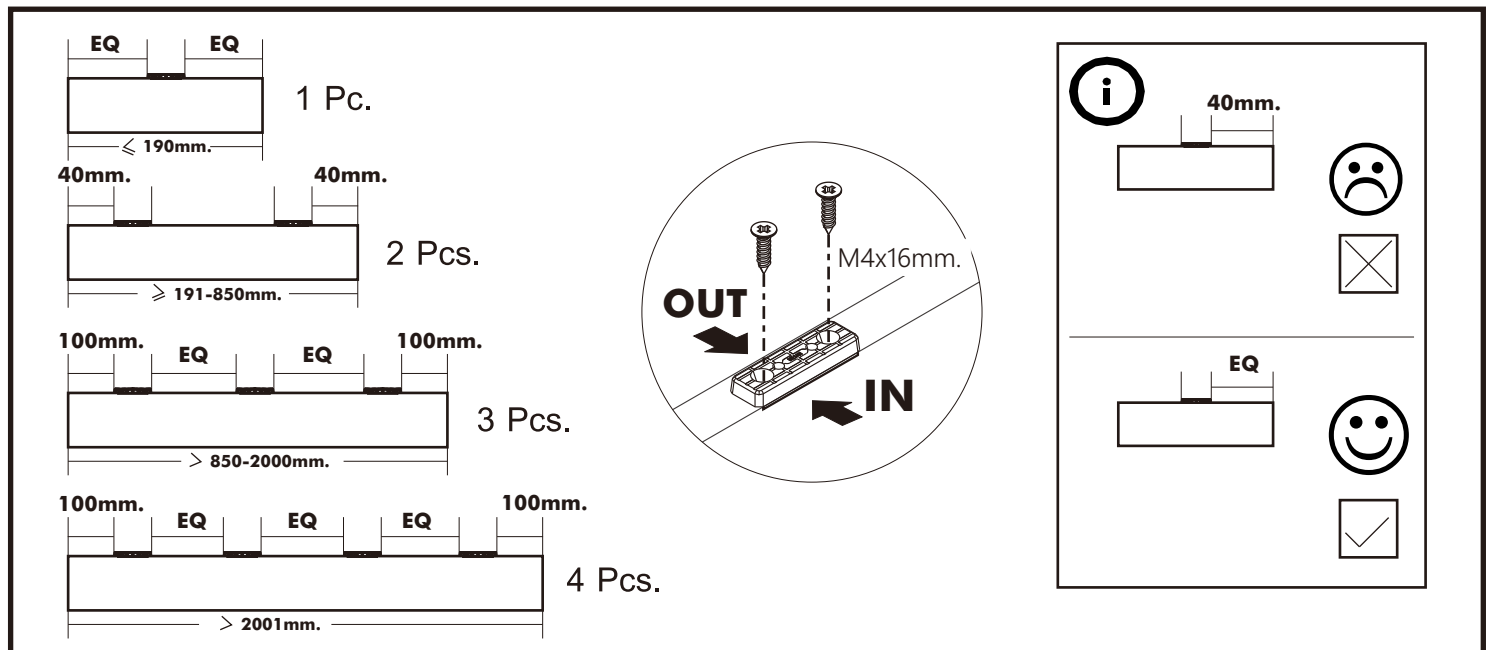
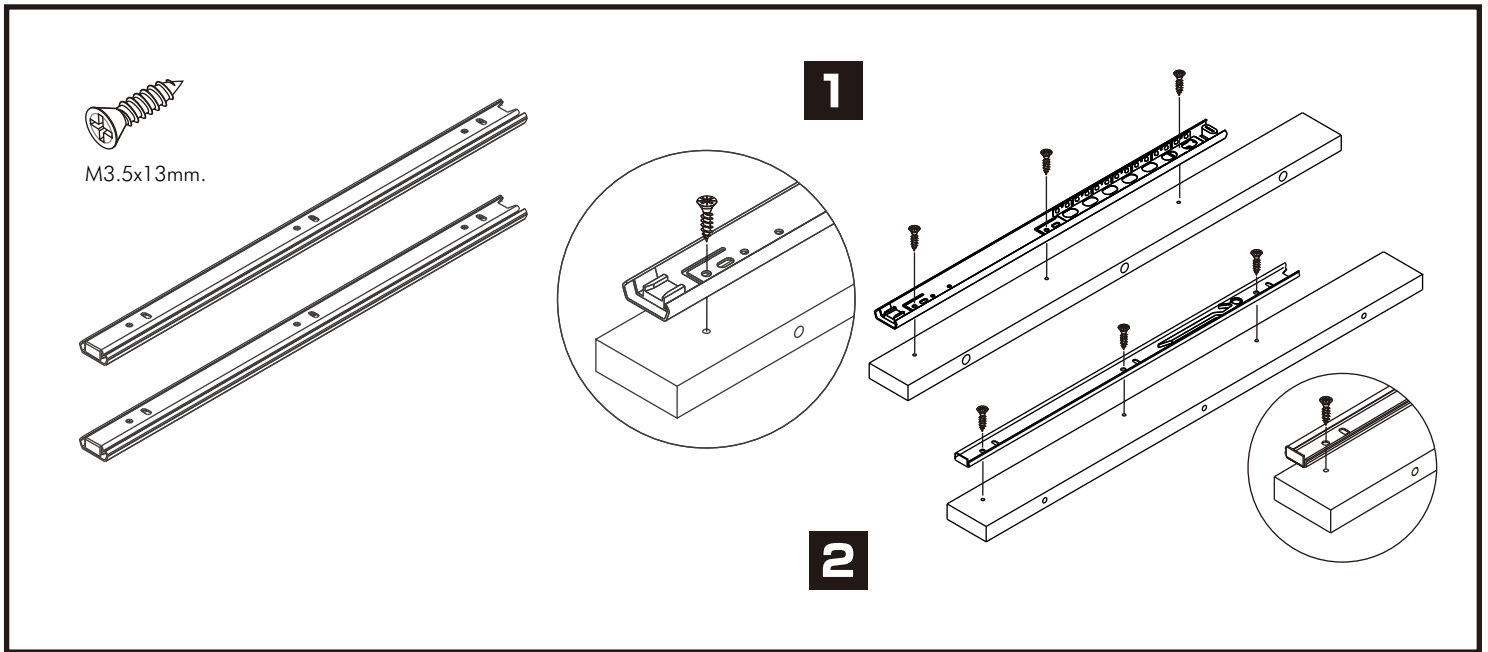
LUX LIVING

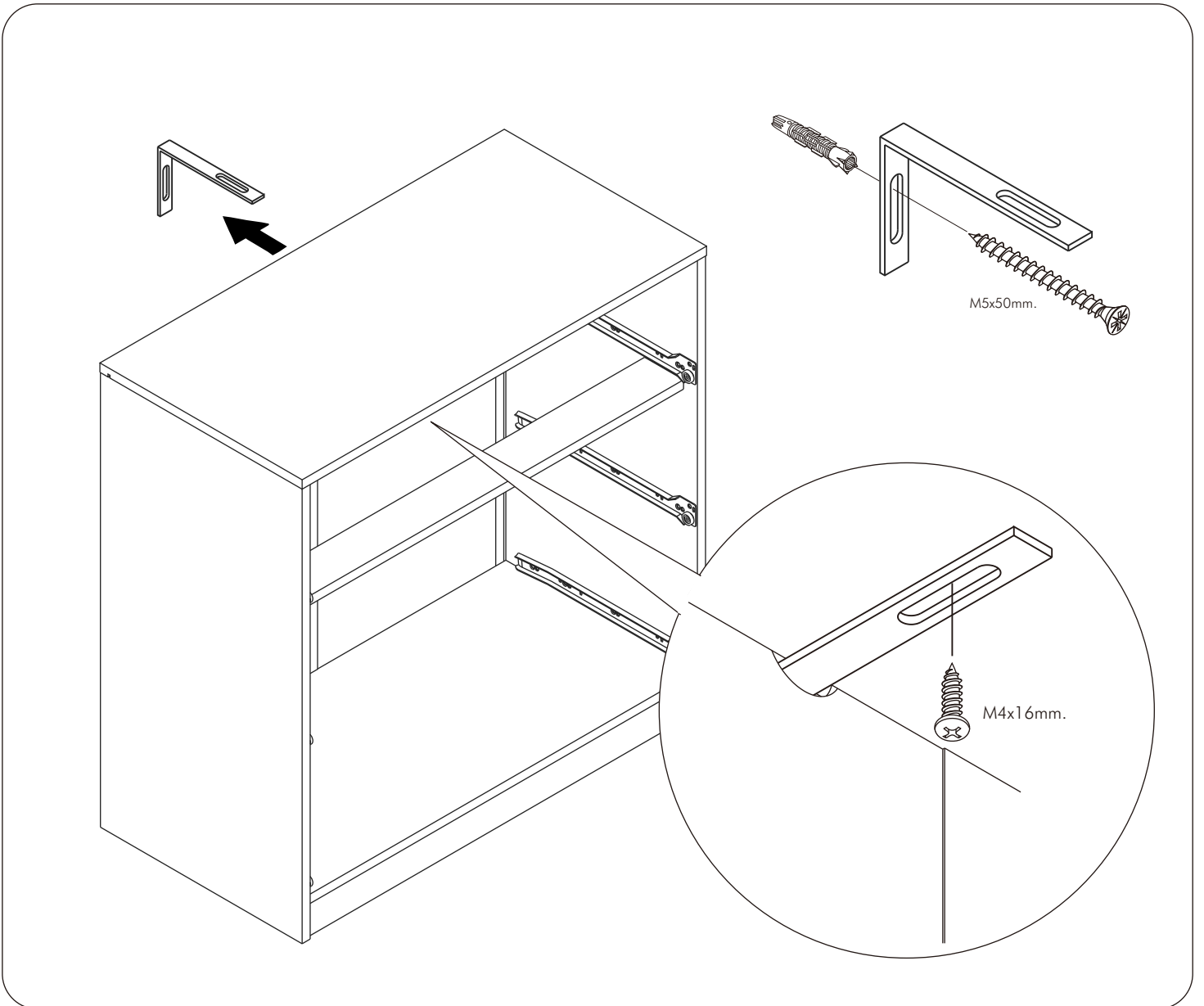
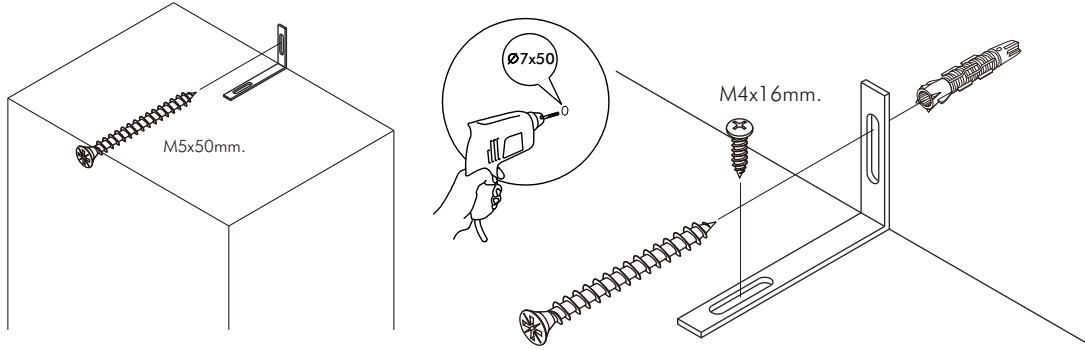
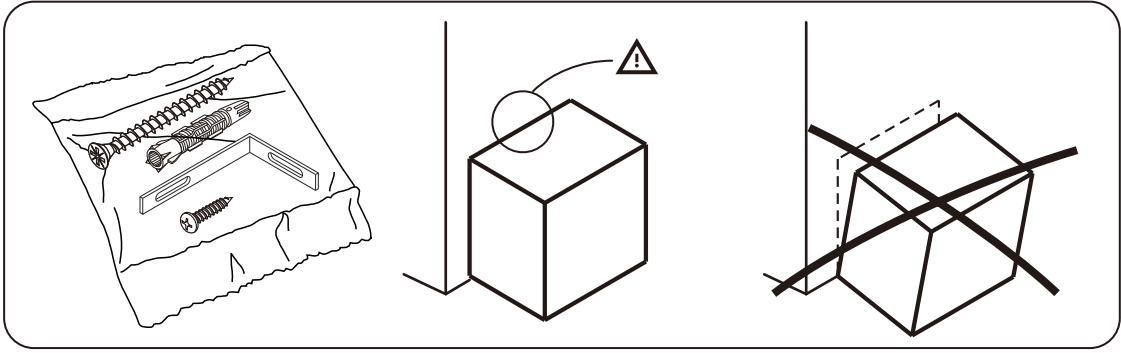
Tv cabinet 240 CM.



CONNECT SYSTEM

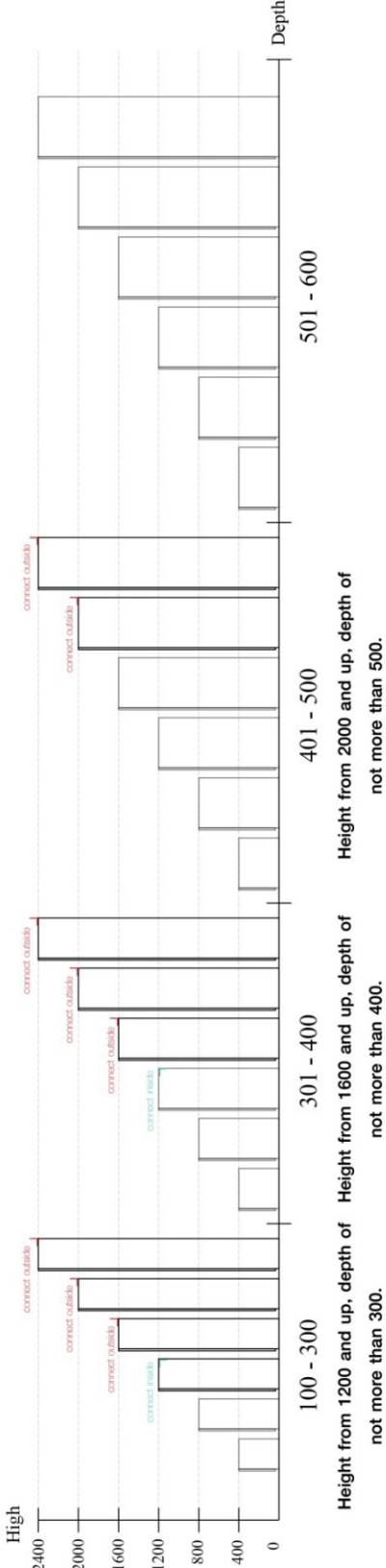




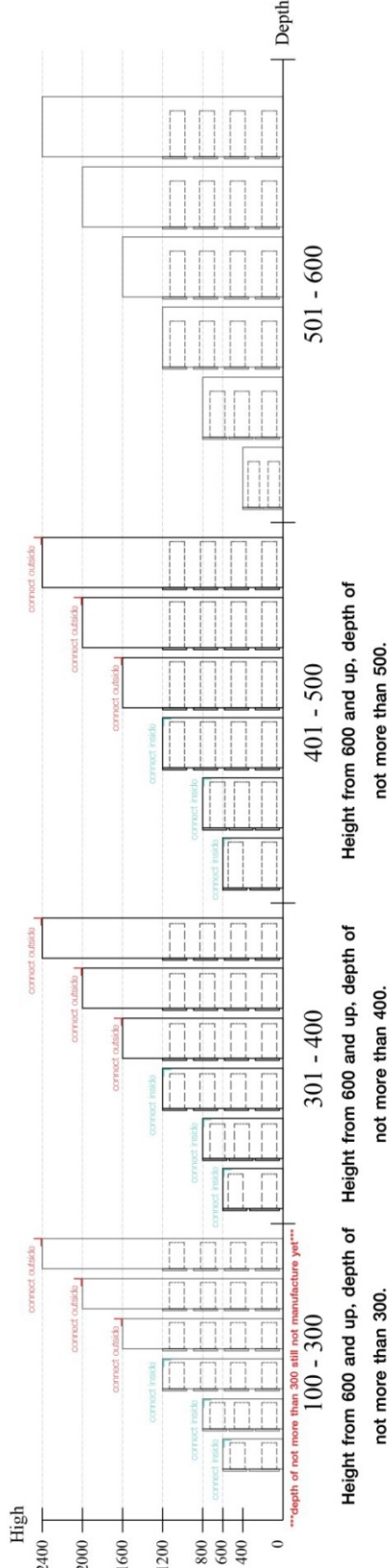


The Standard for identifying which mounted safety fall protection fitting to use **Note : That children's products must be installed with all anti-falling fittings.**

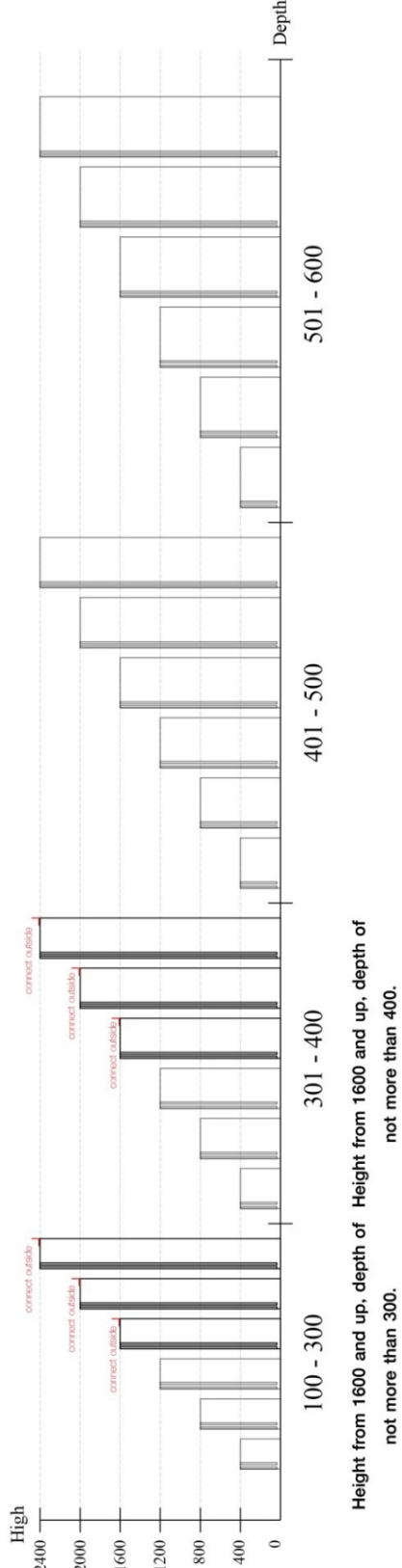
Category : Cabinet with open doors



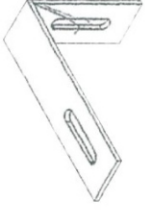
Category : Chest of drawers



Category : Sliding door cabinet / Open cabinet



Mounted fall protection fittings



HARDWARE

-BODY SET

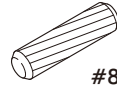


x 2



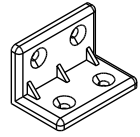
19mm.

x 2

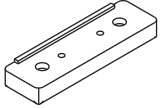


#8x35

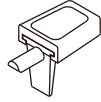
x 50



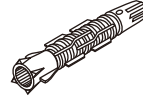
x 96



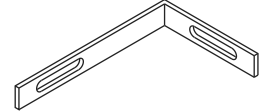
x 20



x 16



x 4



x 4



x 8



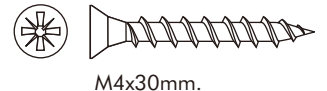
M4x16mm.

x 424



M3.5x20mm.

x 8



M4x30mm.

x 24



M4x50mm.

x 4



M5x50mm.

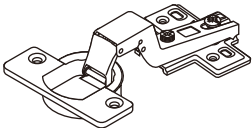
x 4



M4x16mm.

x 12

-DOOR SET



x 4



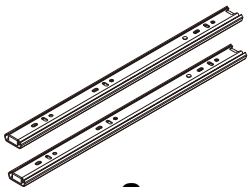
M4x16mm.

x 24



x 4

-DRAWER SET

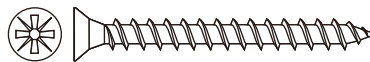


x 3



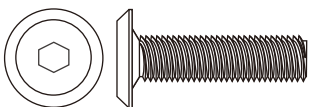
M3.5x13mm.

x 36



M4x40mm.

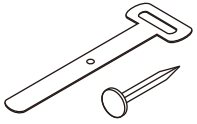
x 36



M6x23mm.

x 9

-LAMP SET



x 14/14

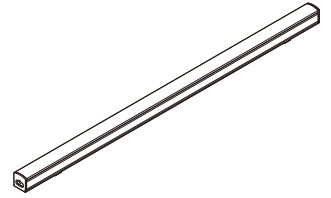


5x3/4" mm.

x 2



x 1



x 2

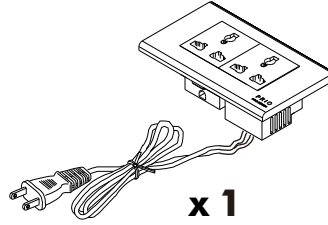


M4x16mm.

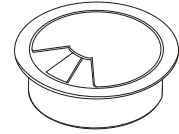
x 4



x 1



x 1

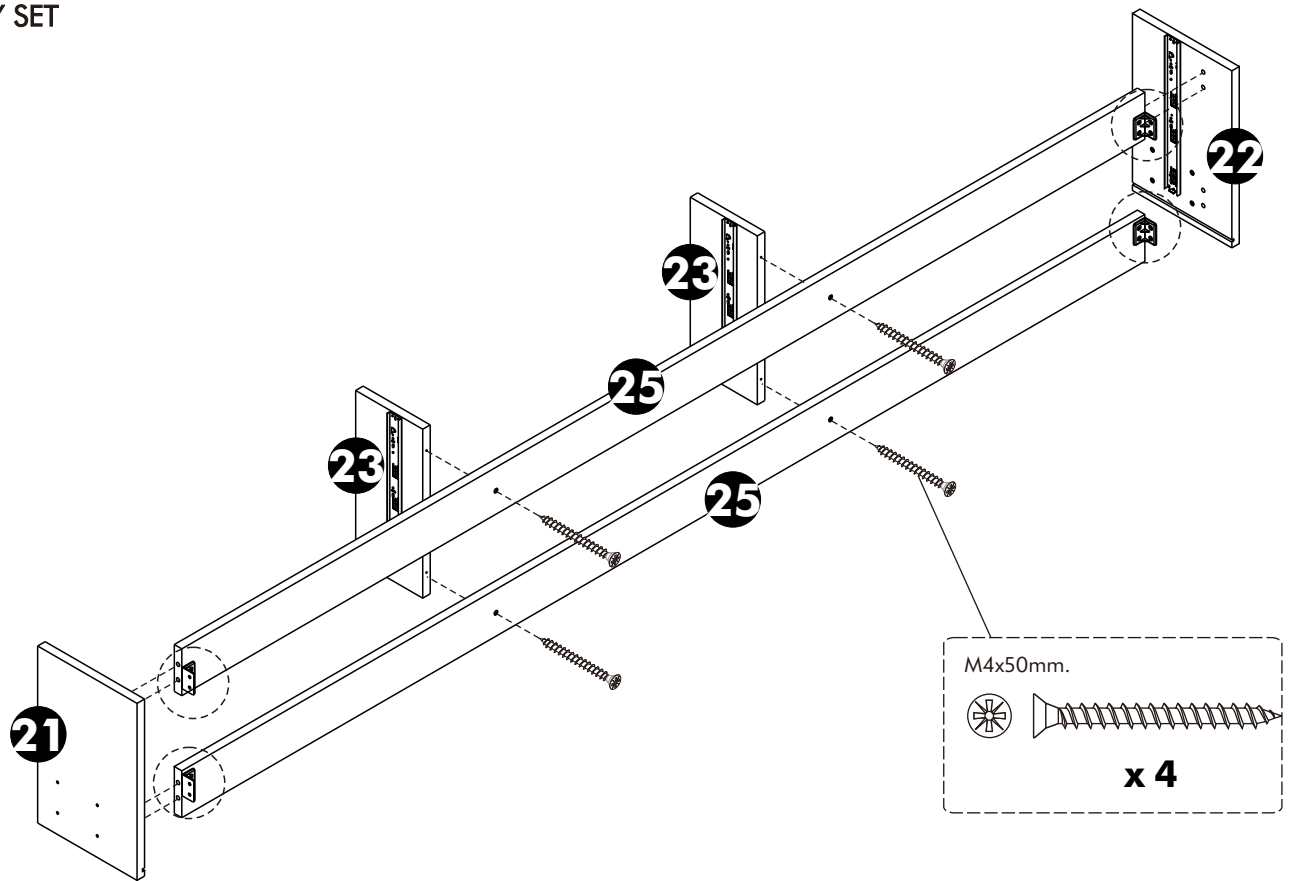


x 2

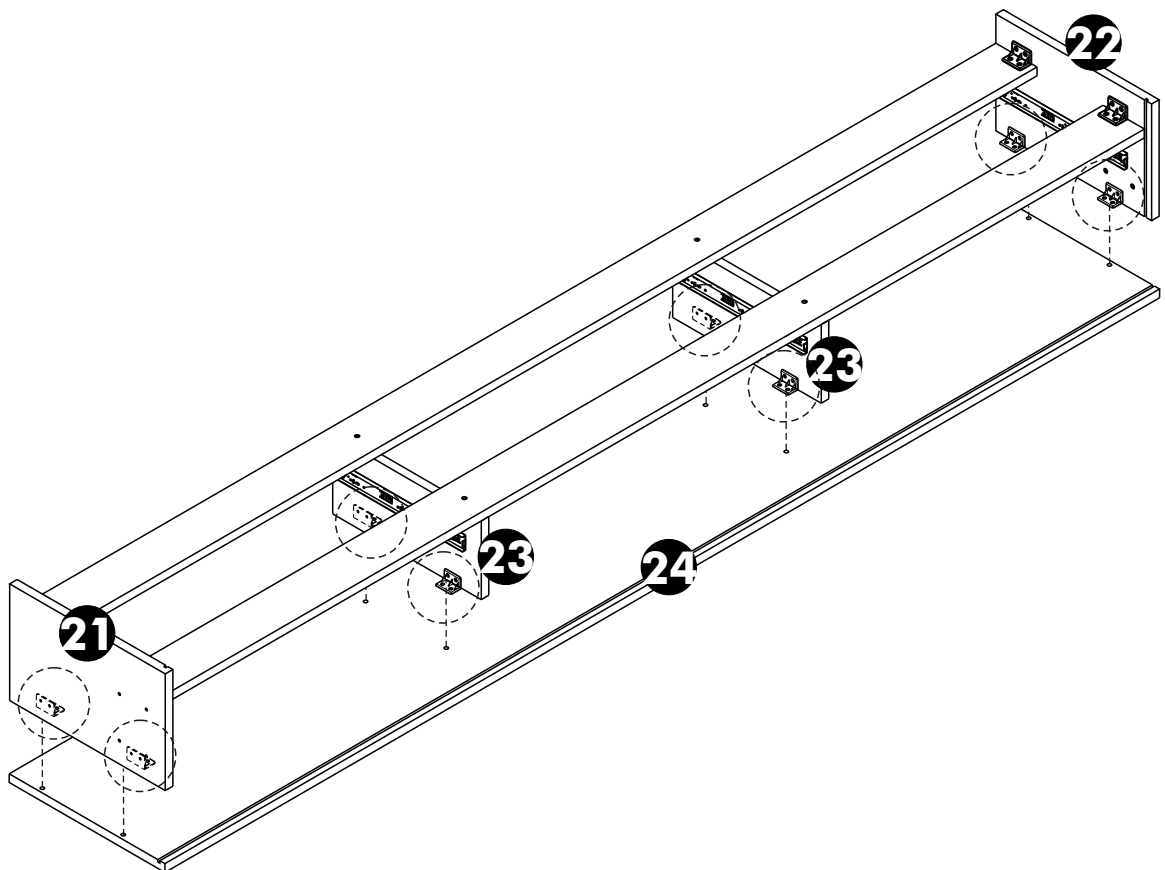
ASSEMBLY

-BODY SET

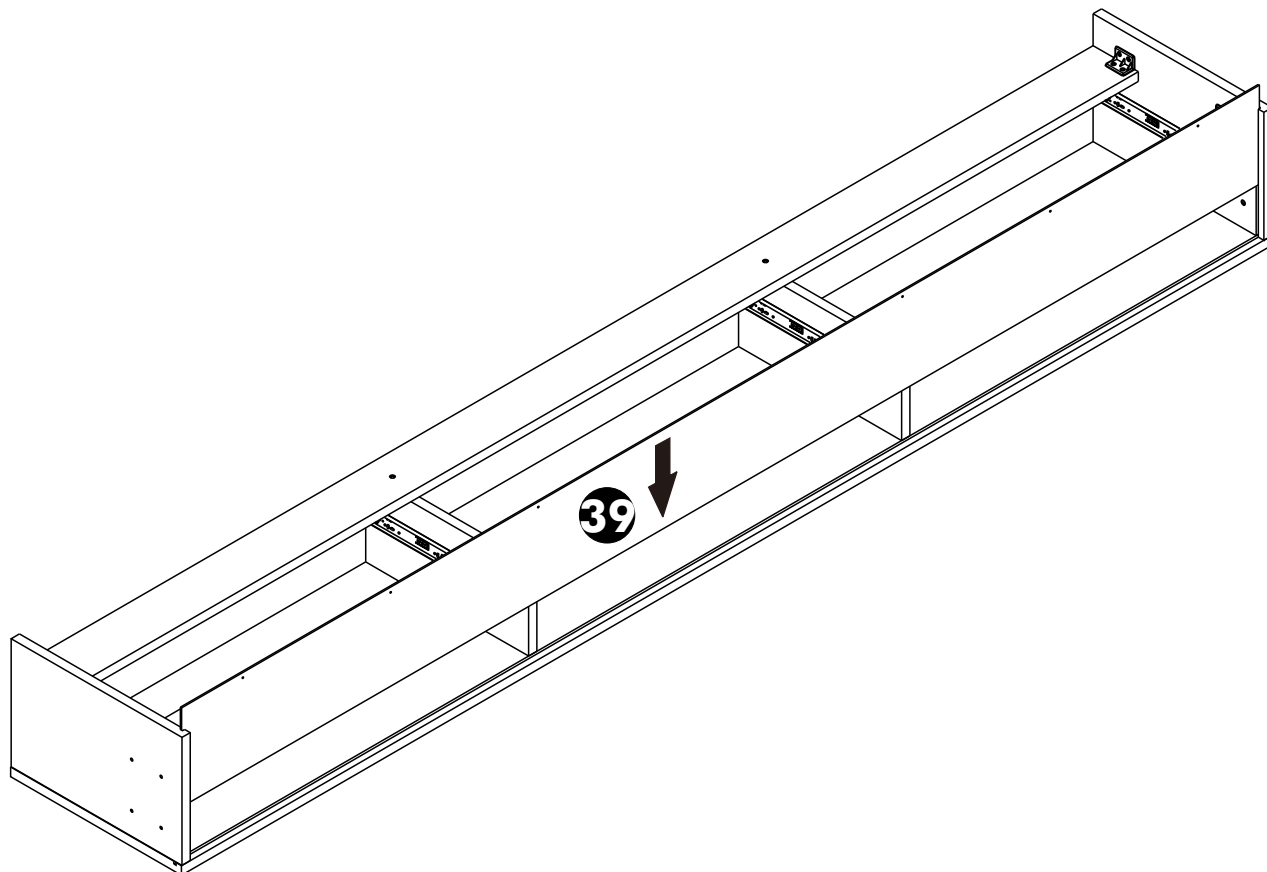
1.



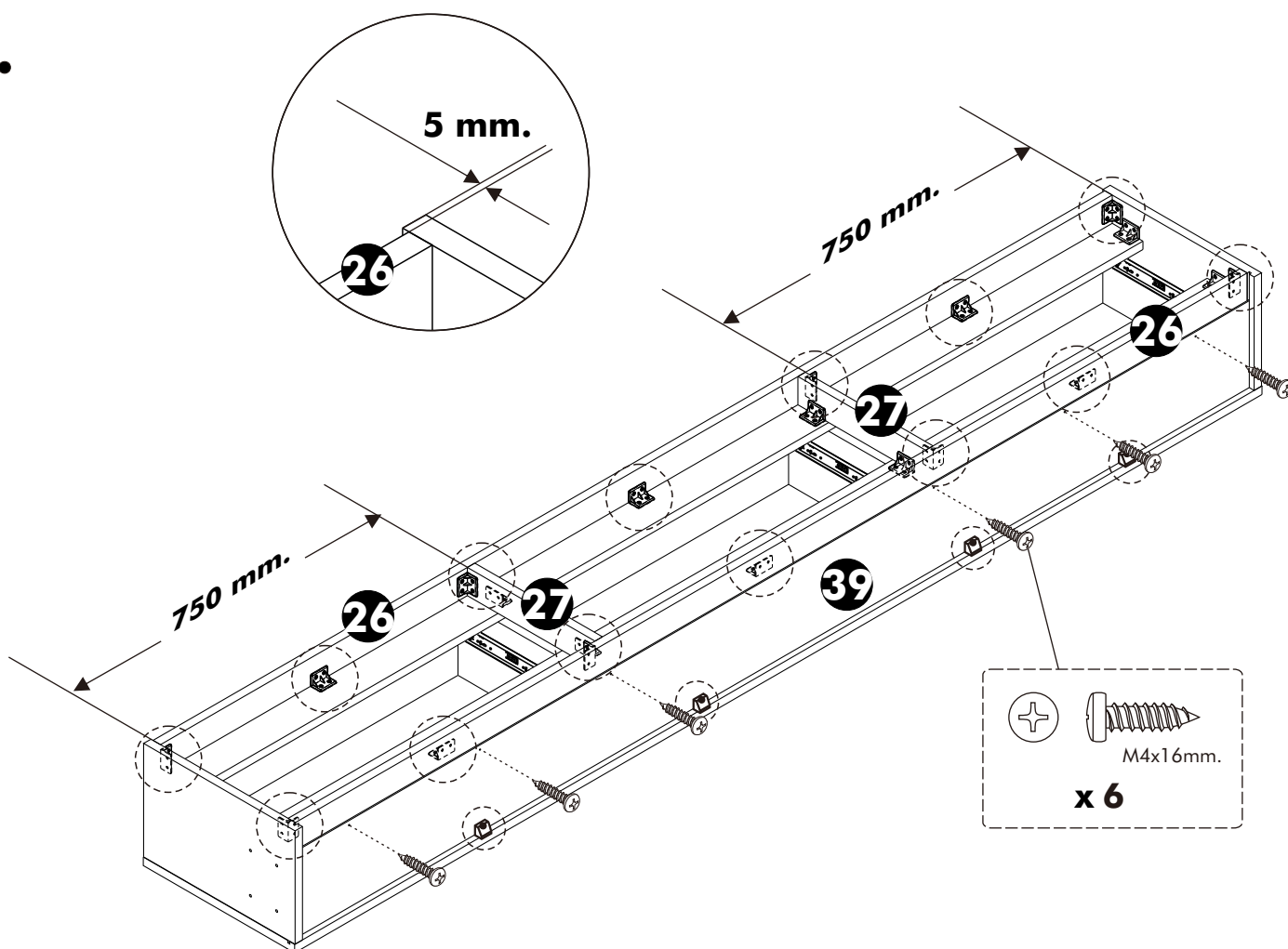
2.



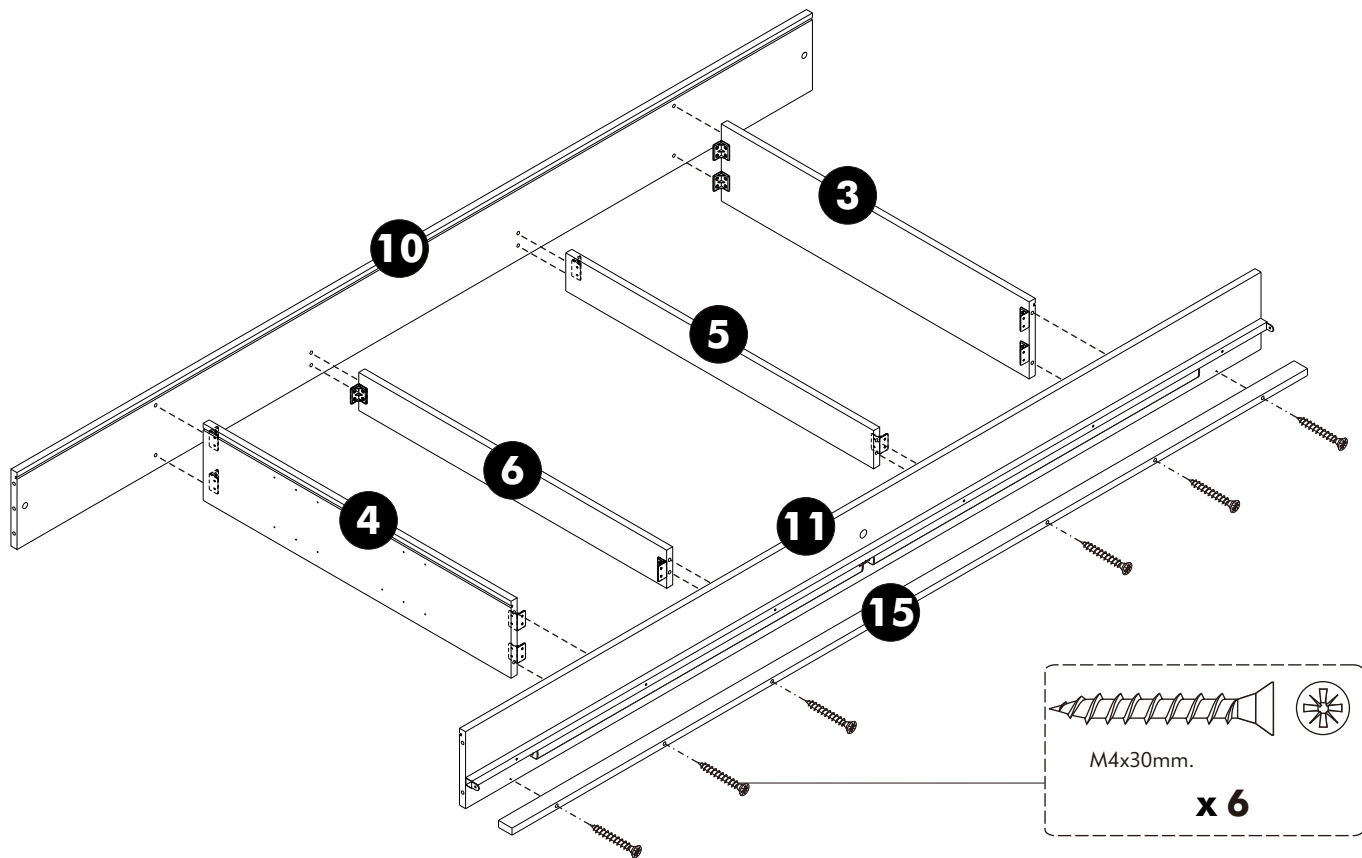
3.



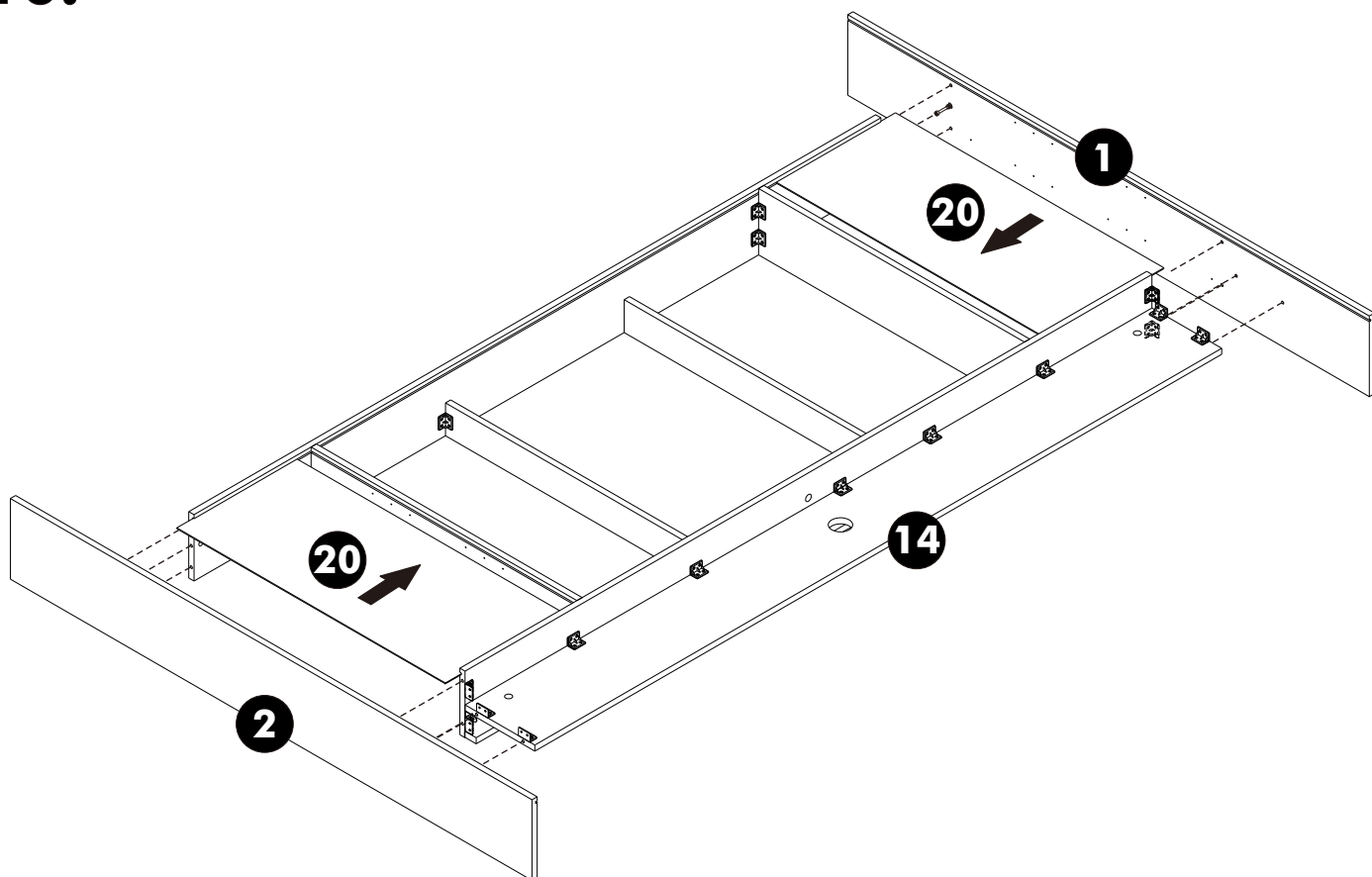
4.



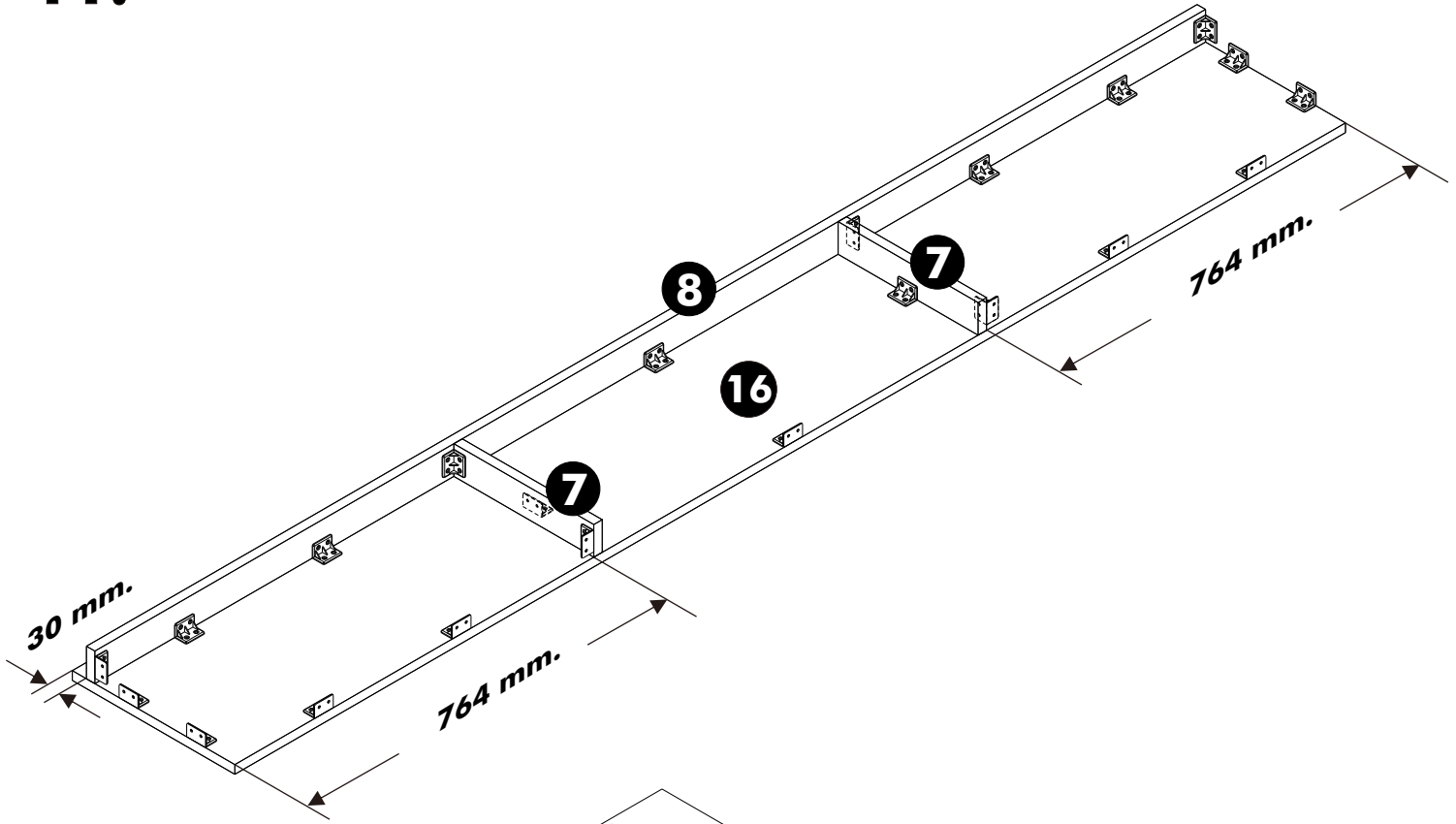
9.



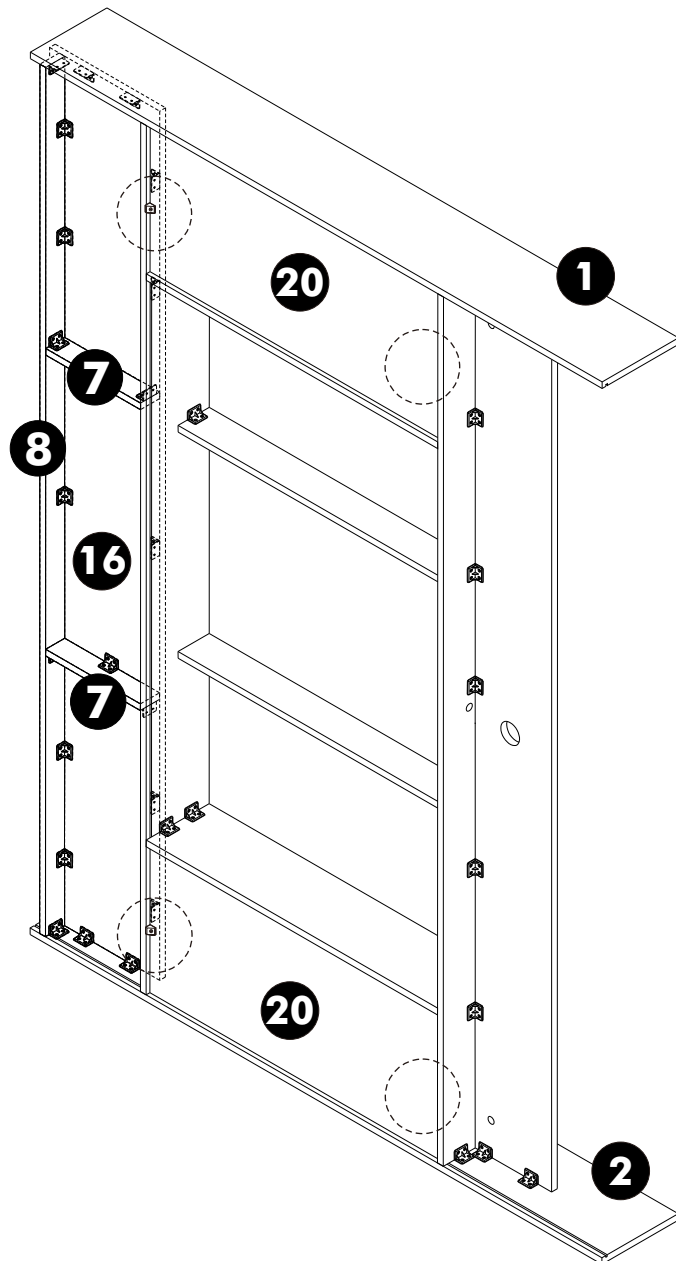
10.



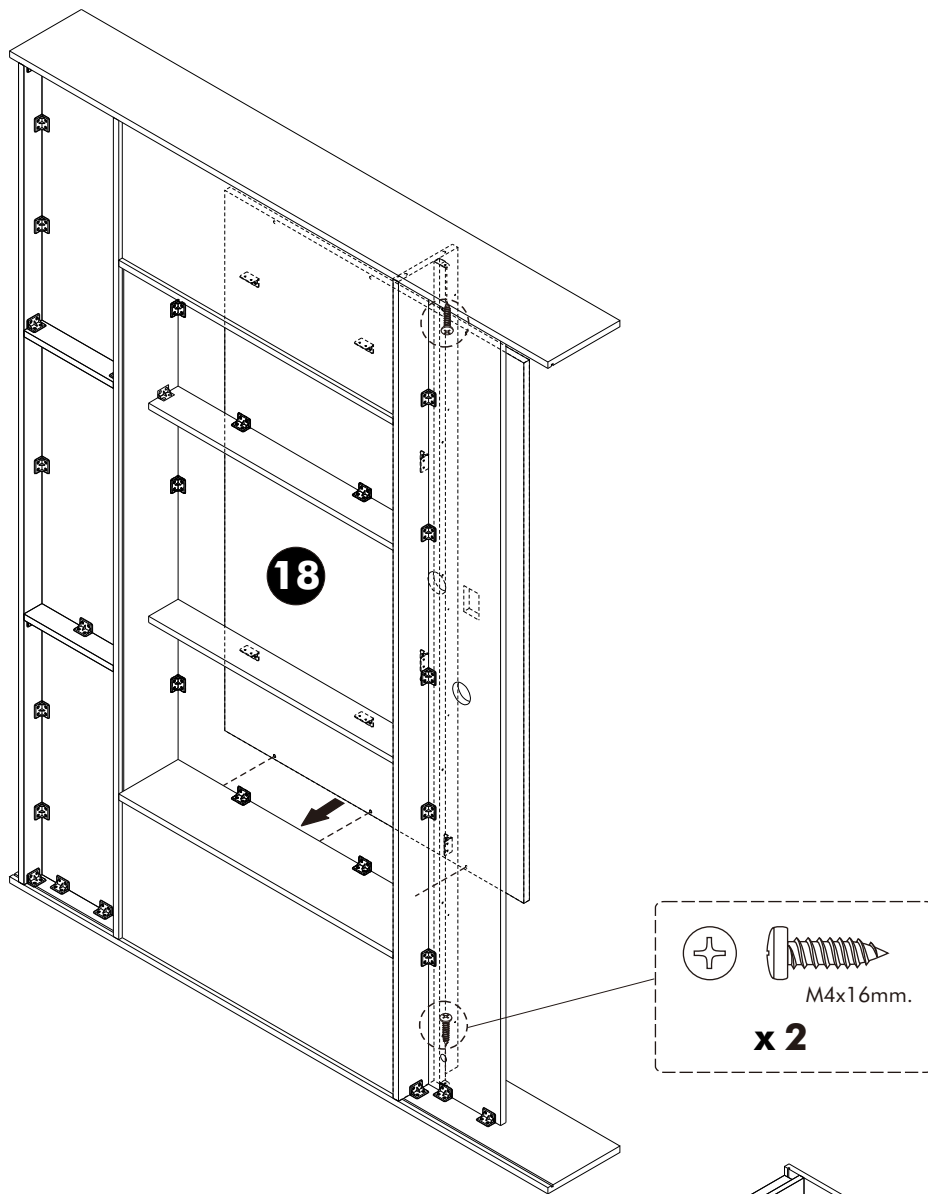
11.



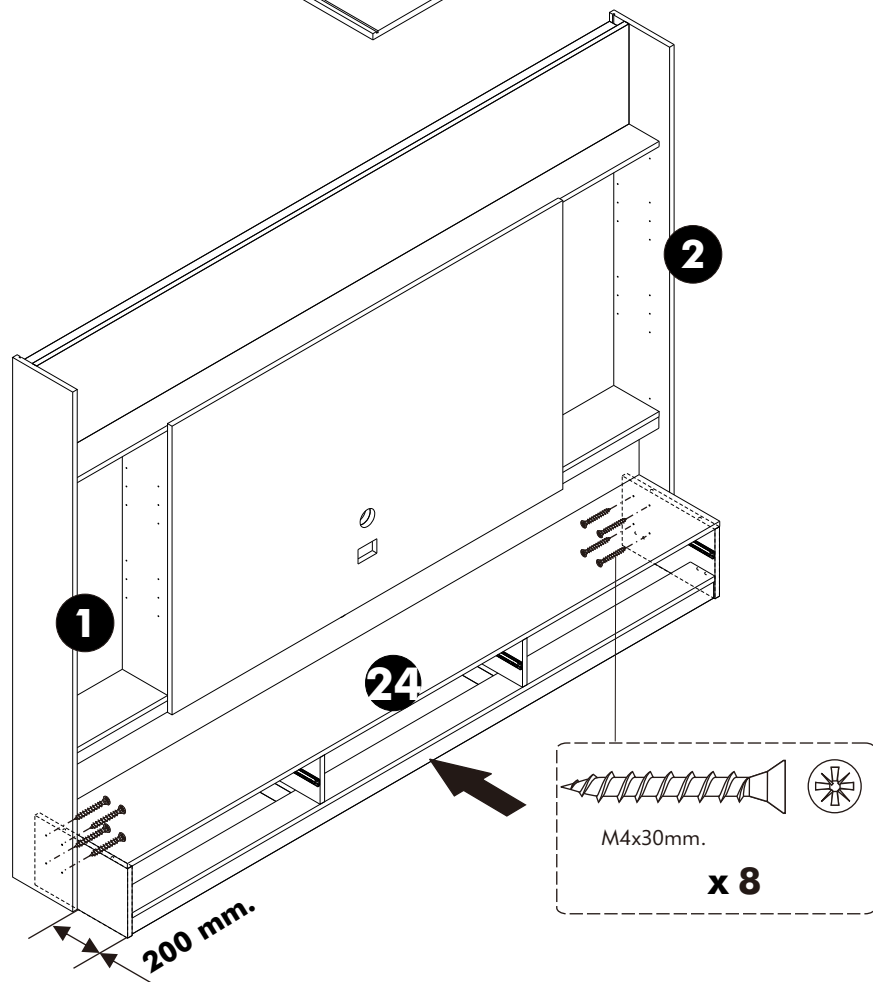
12.



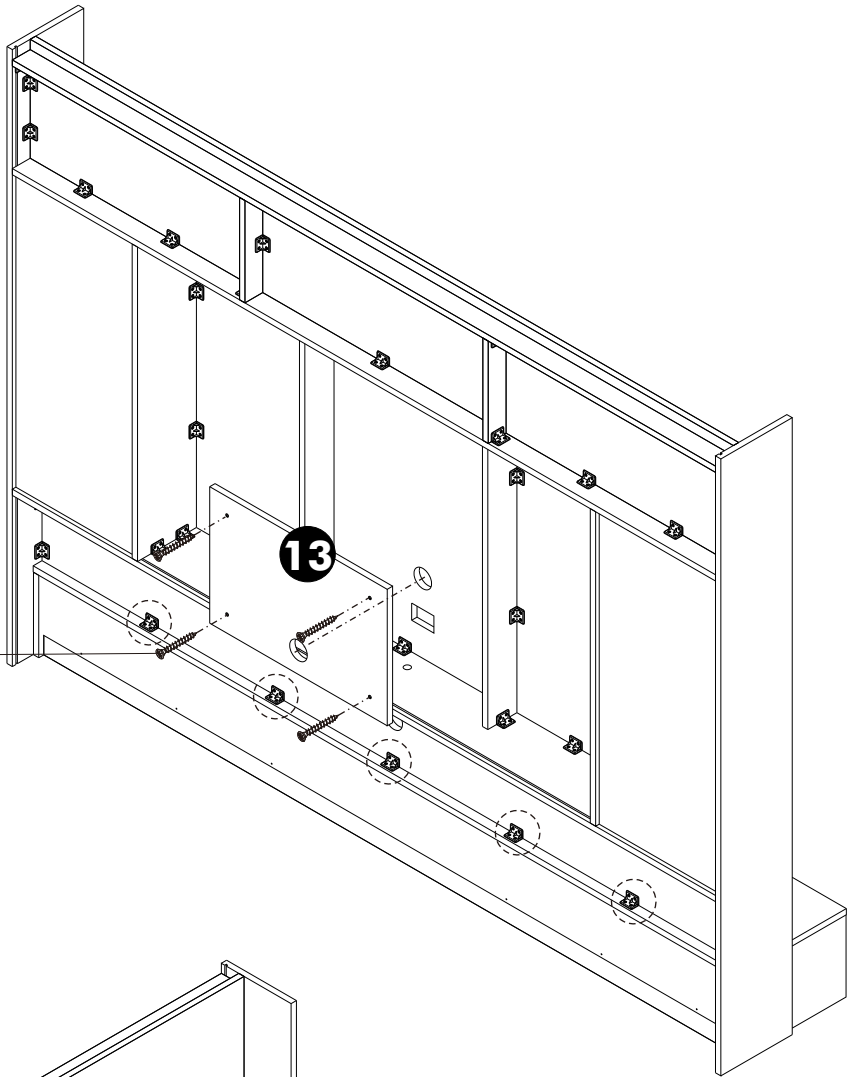
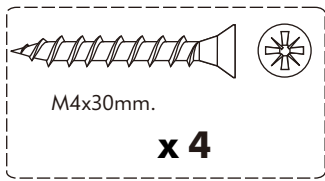
13.



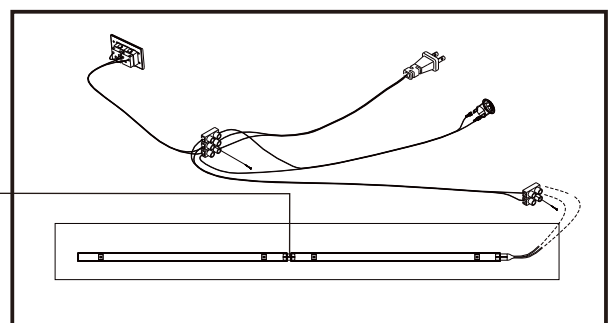
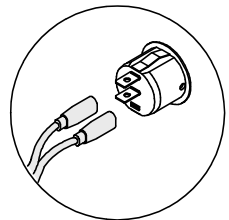
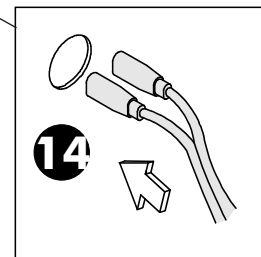
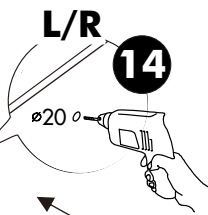
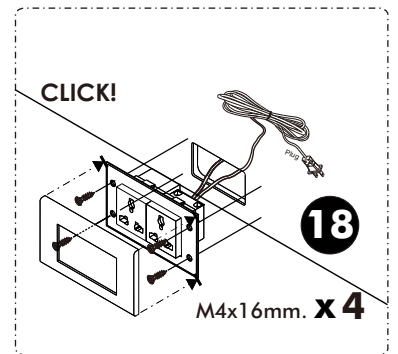
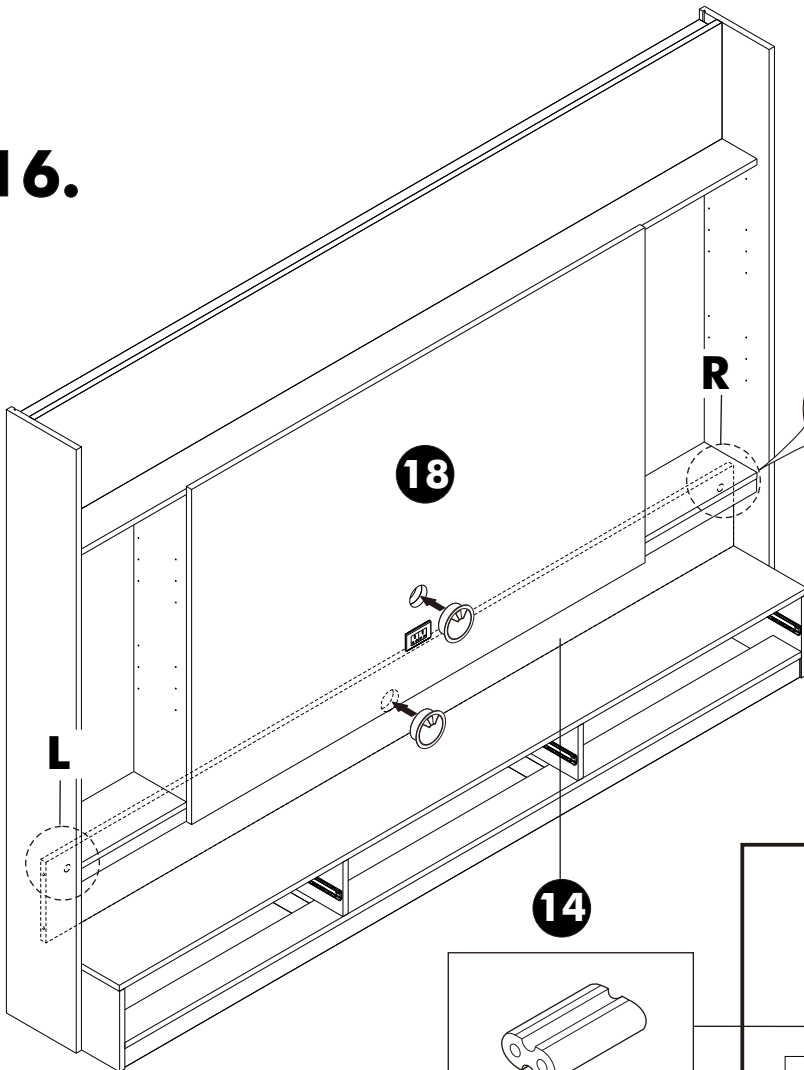
14.



15.



16.



17.

