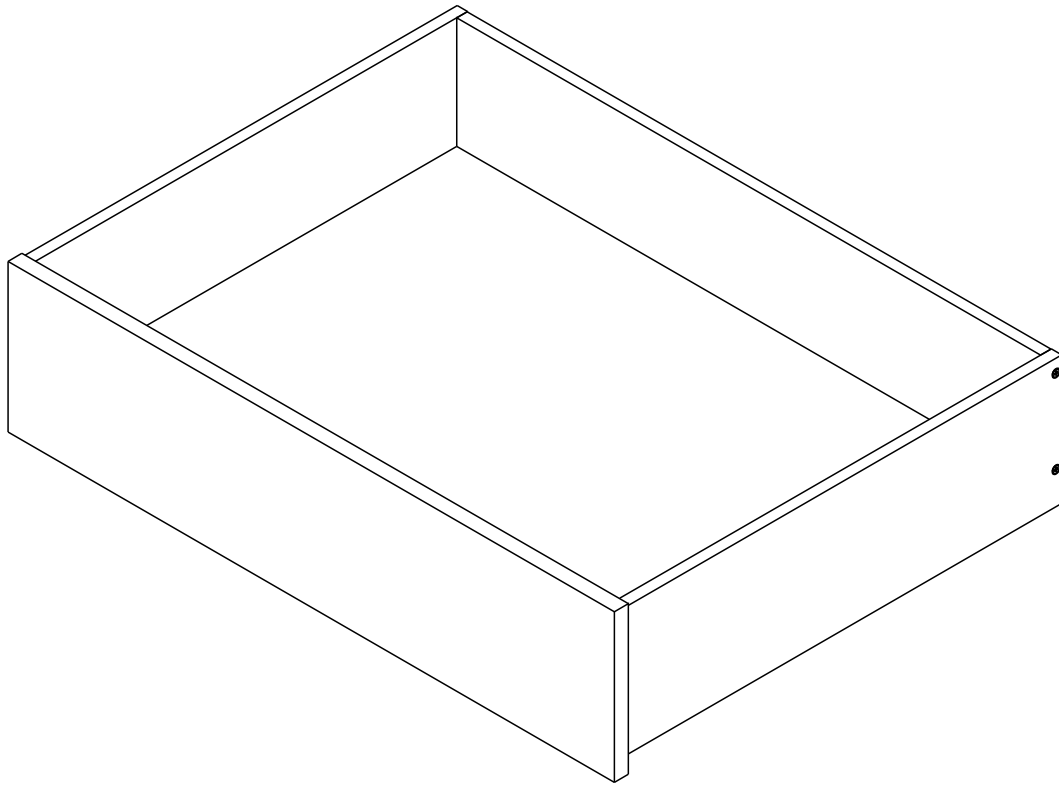


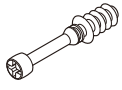
ITAL-STANDARD

Drawer 75



HARDWARE

-BODY SET

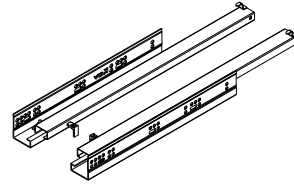


X 2

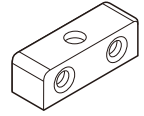


12mm.

X 2



X 1 Set

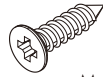


X 2



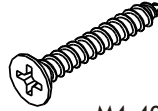
#M4x25

X 6



M4x16mm.

X 6



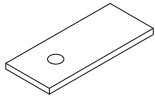
M4x40mm.

X 6



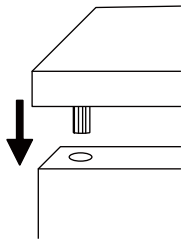
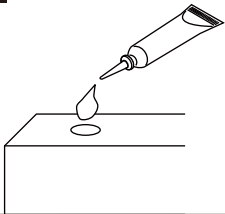
#6x35

X 4

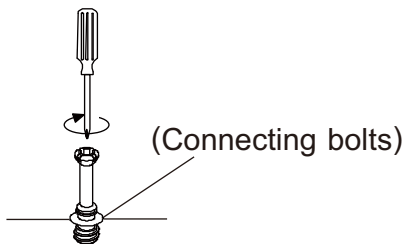


X 6

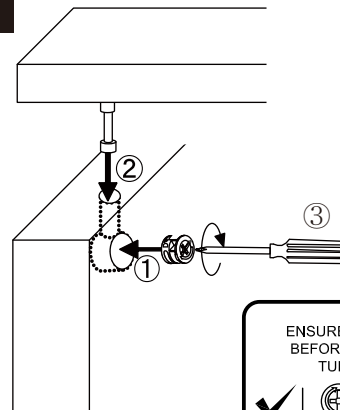
1 (Glue)



2



3



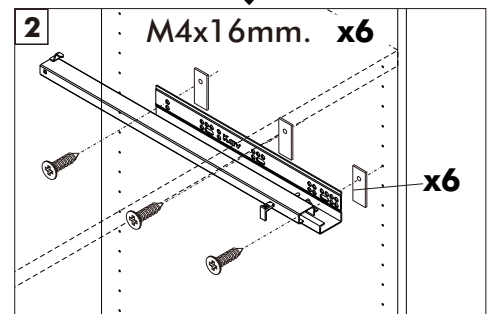
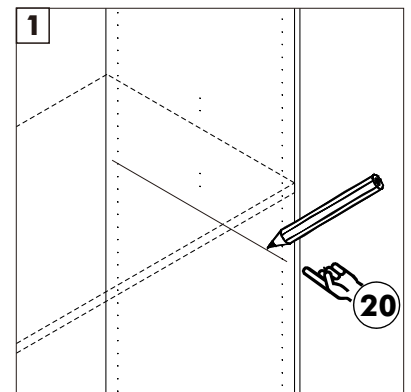
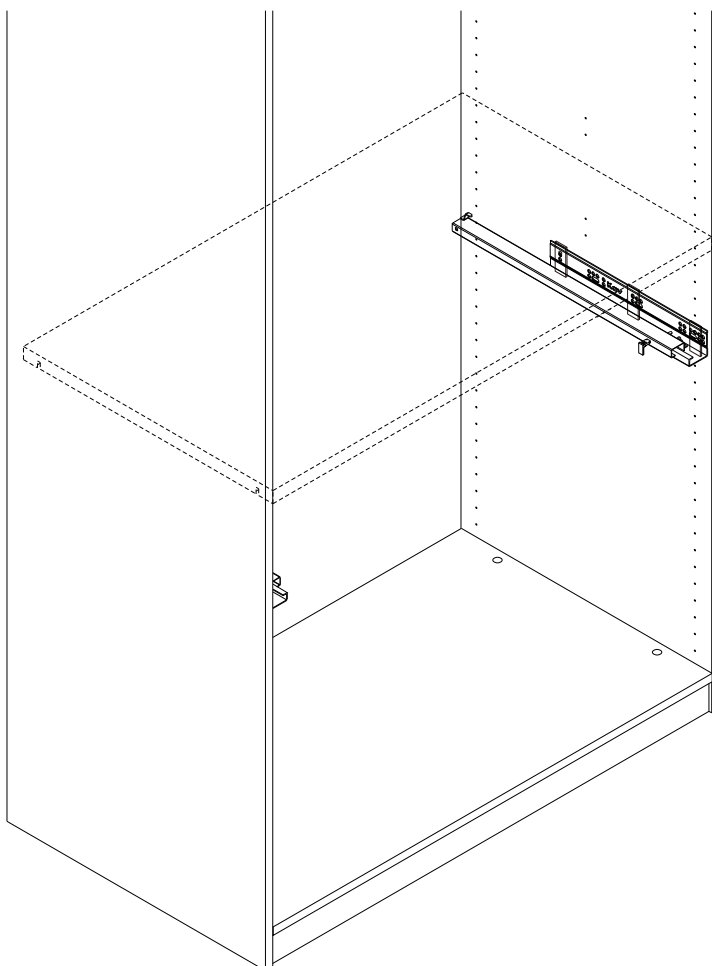
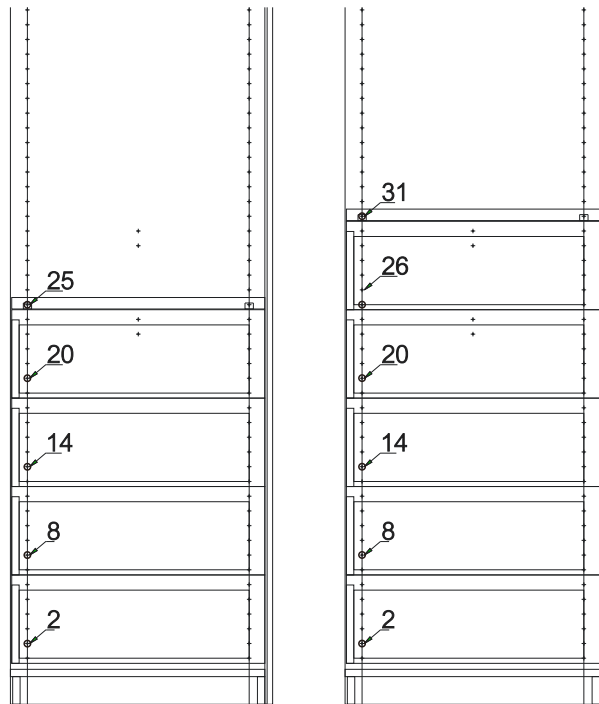
WHEN FITTING CAMS
ENSURE STARTING POSITION IS CORRECT
BEFORE YOU INSERT CONNECTING BOLT
TURN CLOCKWISE UNTIL SECURE

✓				✗
↑				
	CORRECT		WRONG	

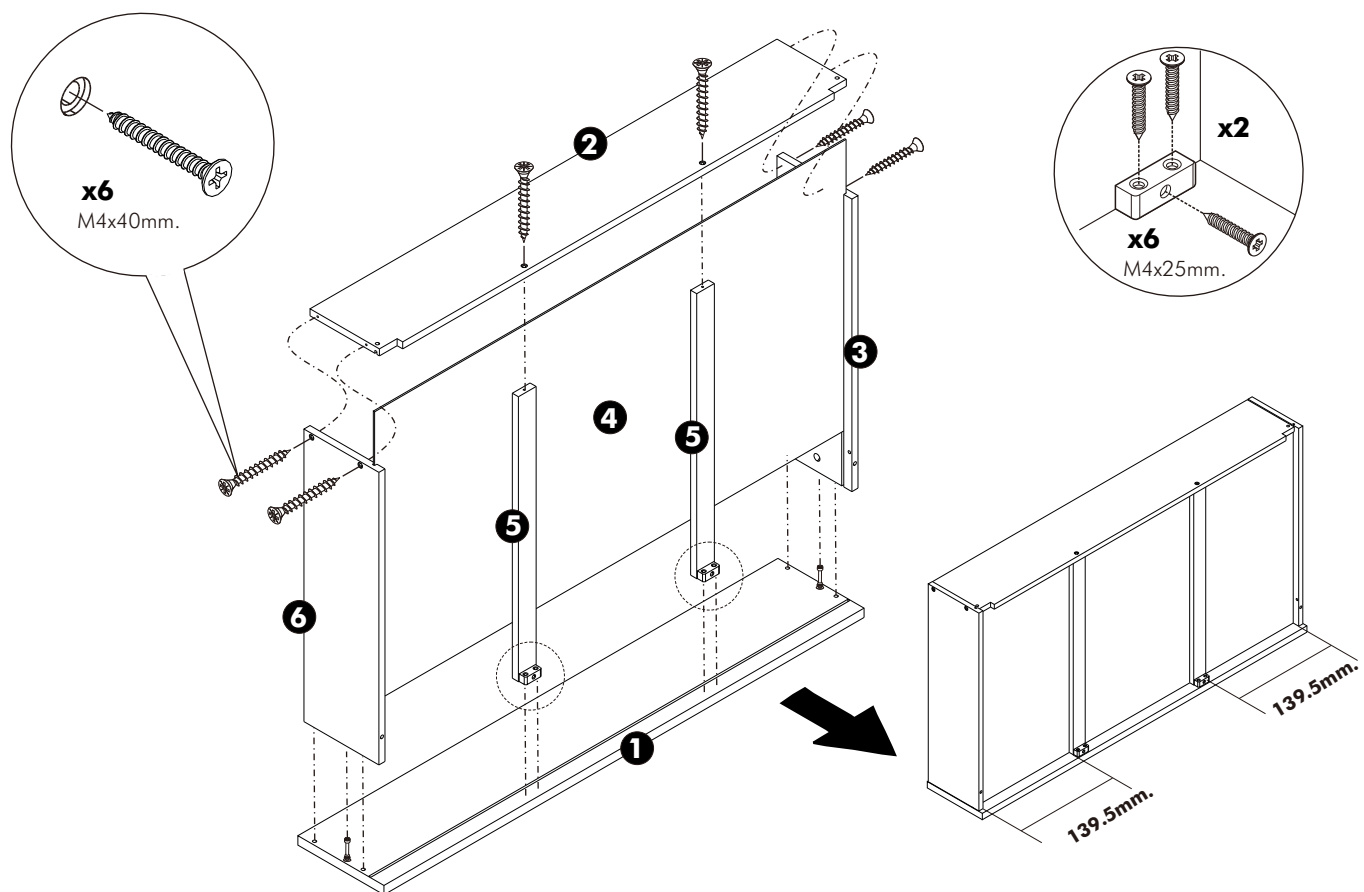
1.



Installation distance of drawers



2.



3.

