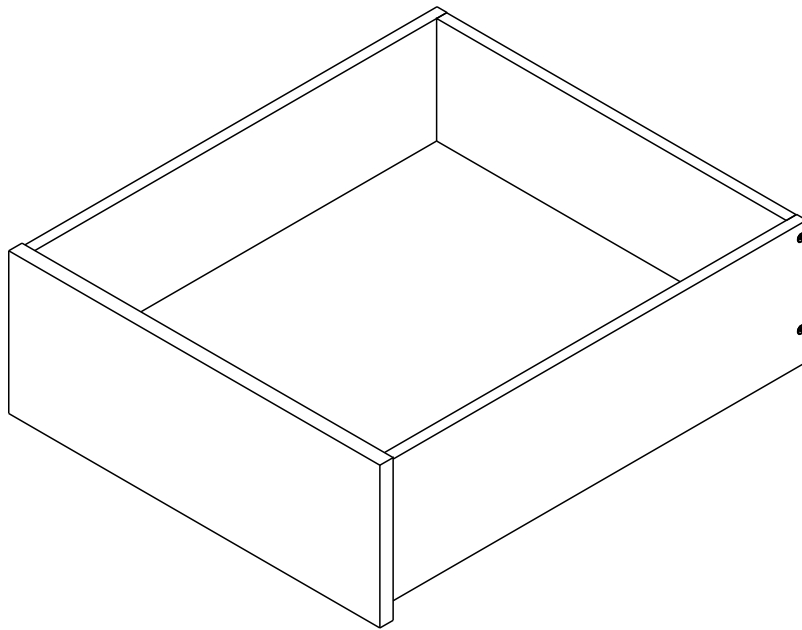


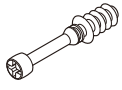
# ITAL-STANDARD

## Drawer 50



# HARDWARE

## -BODY SET

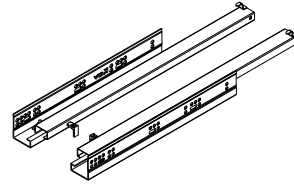


**X 2**

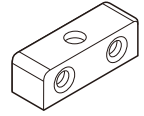


12mm.

**X 2**



**X 1 Set**

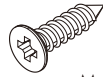


**X 1**



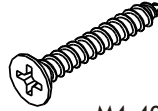
#M4x25

**X 3**



M4x16mm.

**X 6**



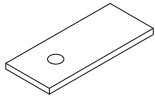
M4x40mm.

**X 5**



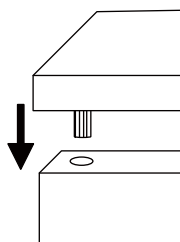
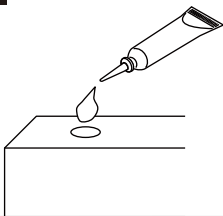
#6x35

**X 4**

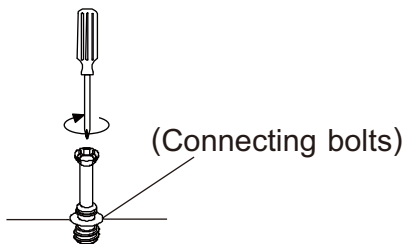


**X 6**

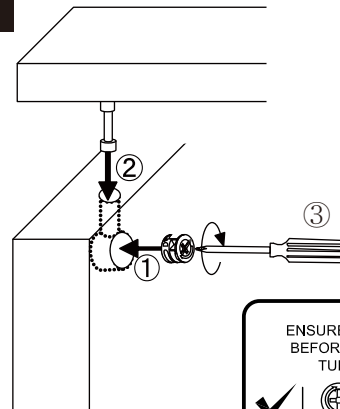
**1** (Glue)



**2**



**3**

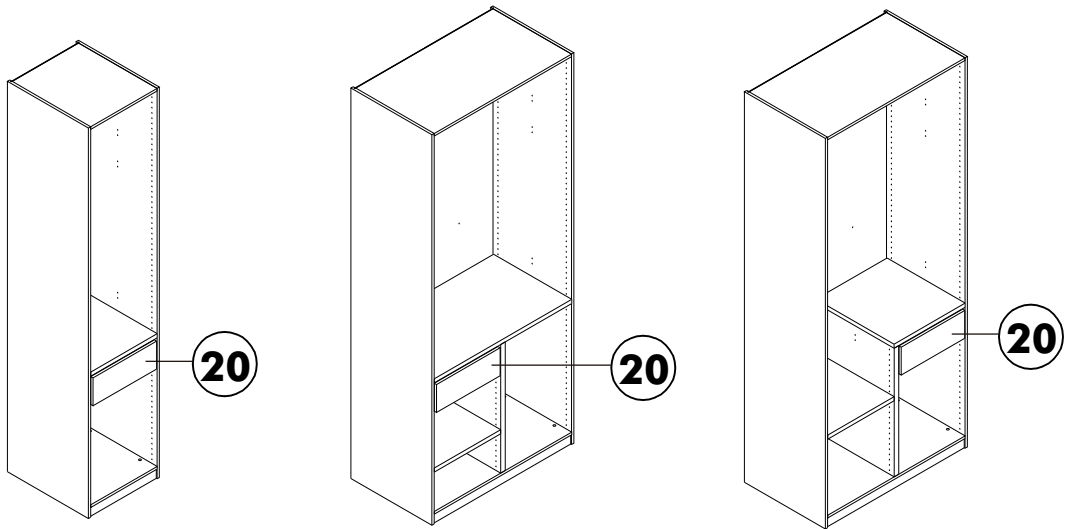


WHEN FITTING CAMS  
ENSURE STARTING POSITION IS CORRECT  
BEFORE YOU INSERT CONNECTING BOLT  
TURN CLOCKWISE UNTIL SECURE

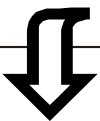
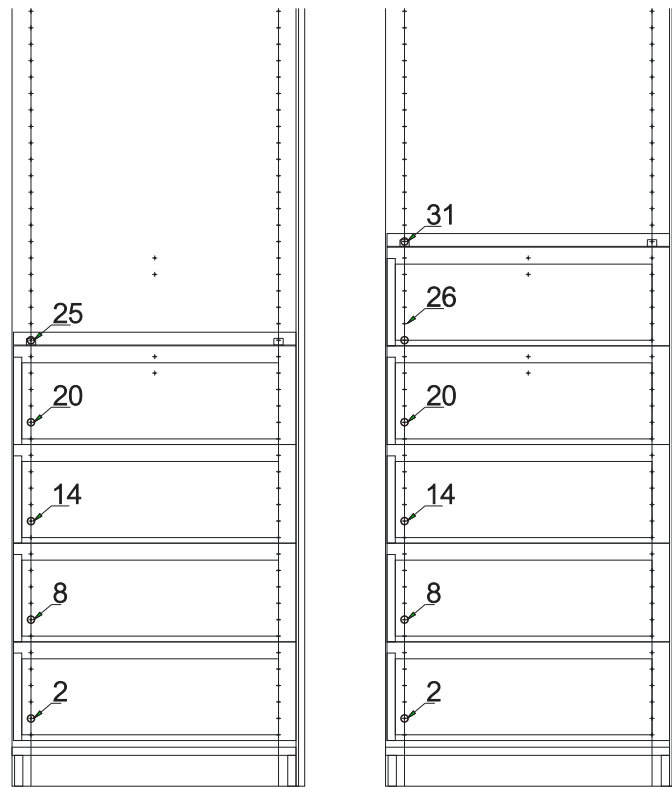
✓				✗
↑				
	CORRECT	WRONG		



## Wardrobe Frame W100,75,50



### Installation distance of drawers



1.

