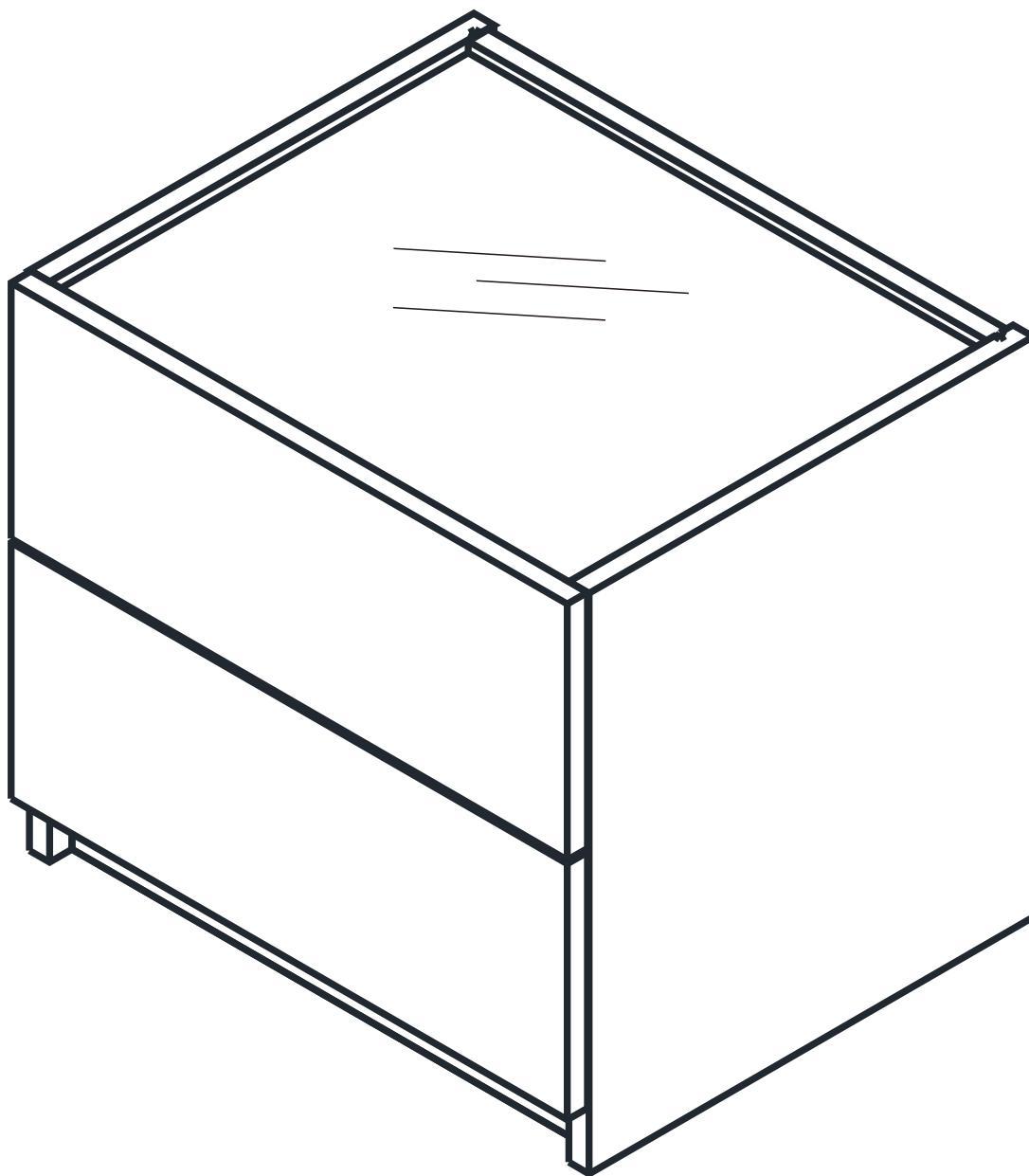


BLANC

Night table WT



CONNECT SYSTEM

1

3

2

(Connecting bolts)

WHEN FITTING CAMS
 ENSURE STARTING POSITION IS CORRECT
 BEFORE YOU INSERT CONNECTING BOLT
 TURN CLOCKWISE UNTIL SECURE

✓				✗
↑				
	CORRECT	WRONG		

M4x16mm.

i

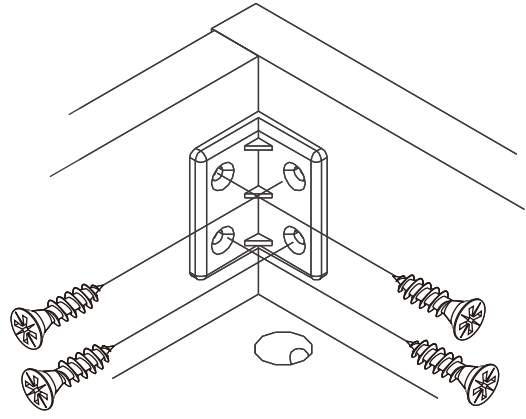
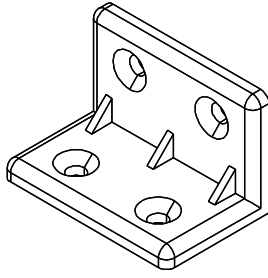
M3.5x13mm.

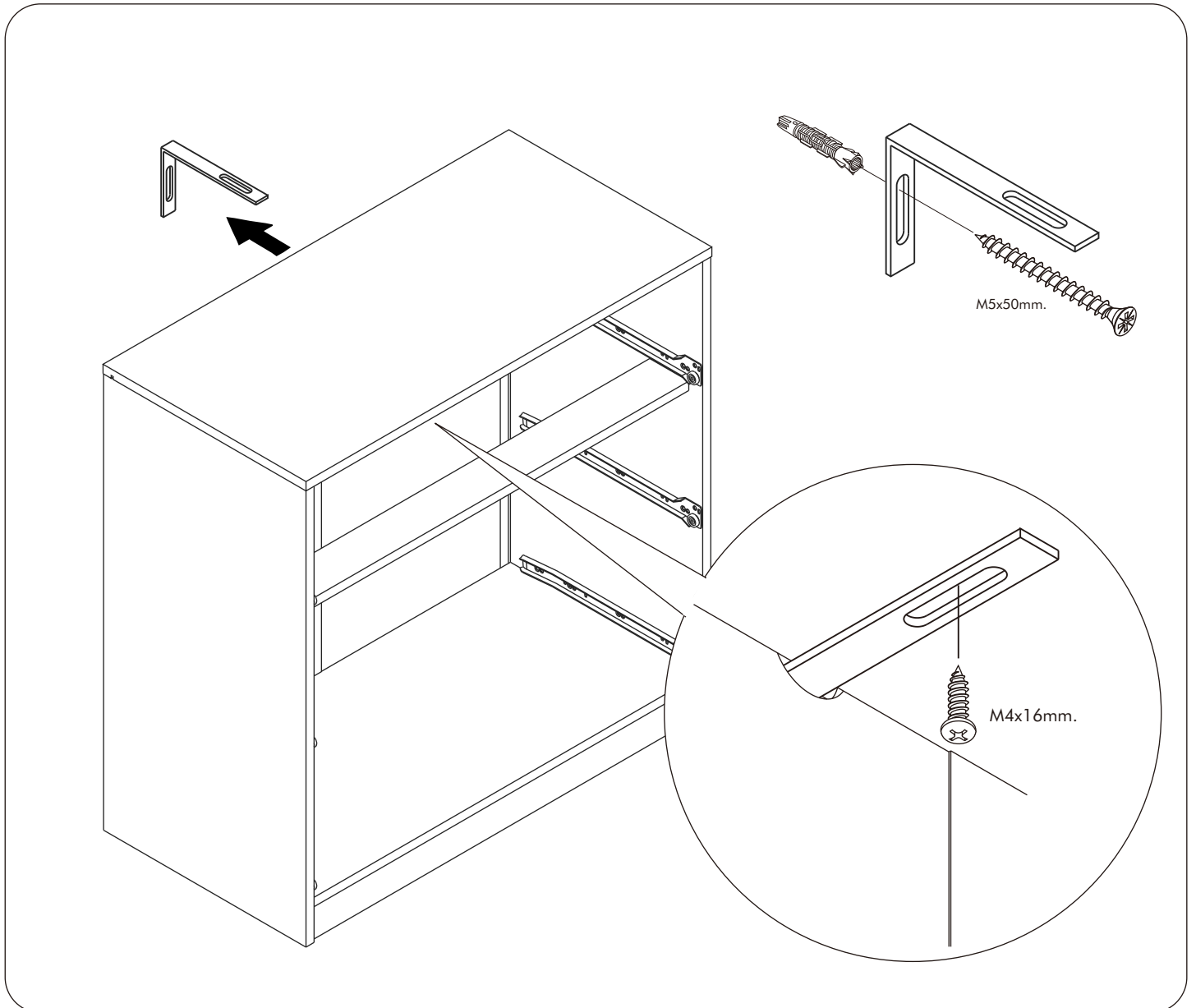
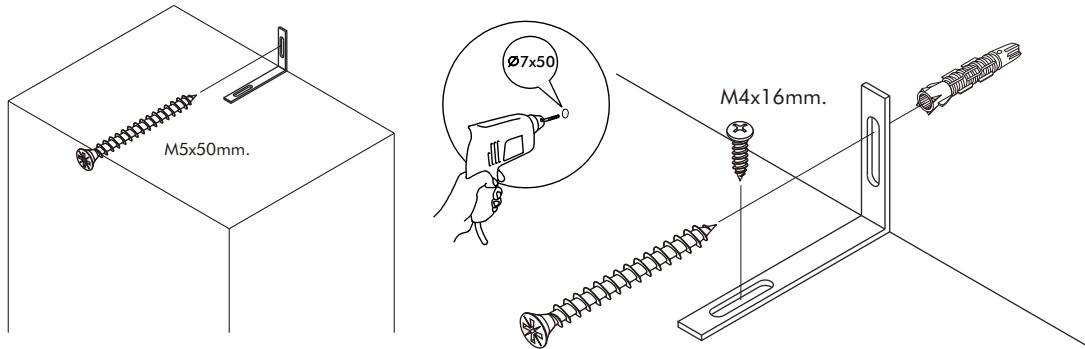
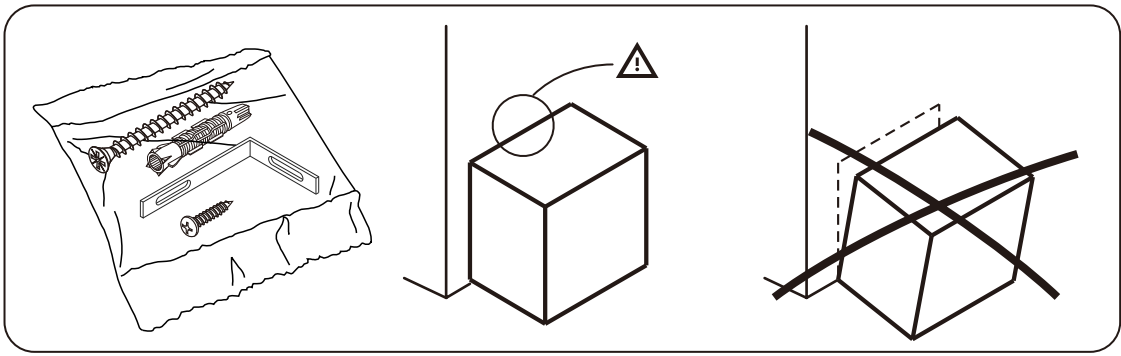
1

2



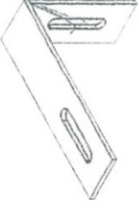
M4x16mm.



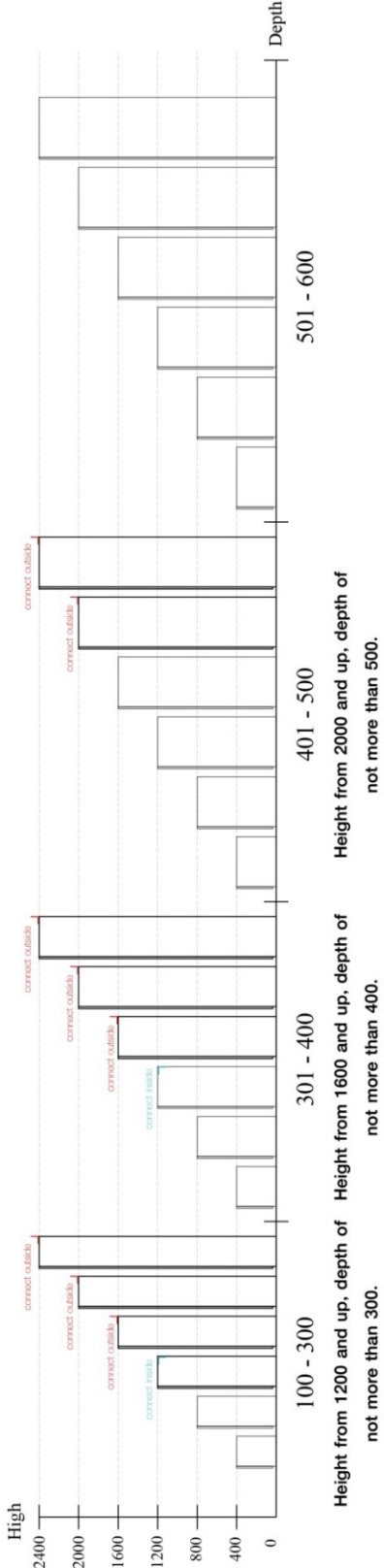


The Standard for identifying which mounted safety fall protection fitting to use **Note : That children's products must be installed with all anti-falling fittings.**

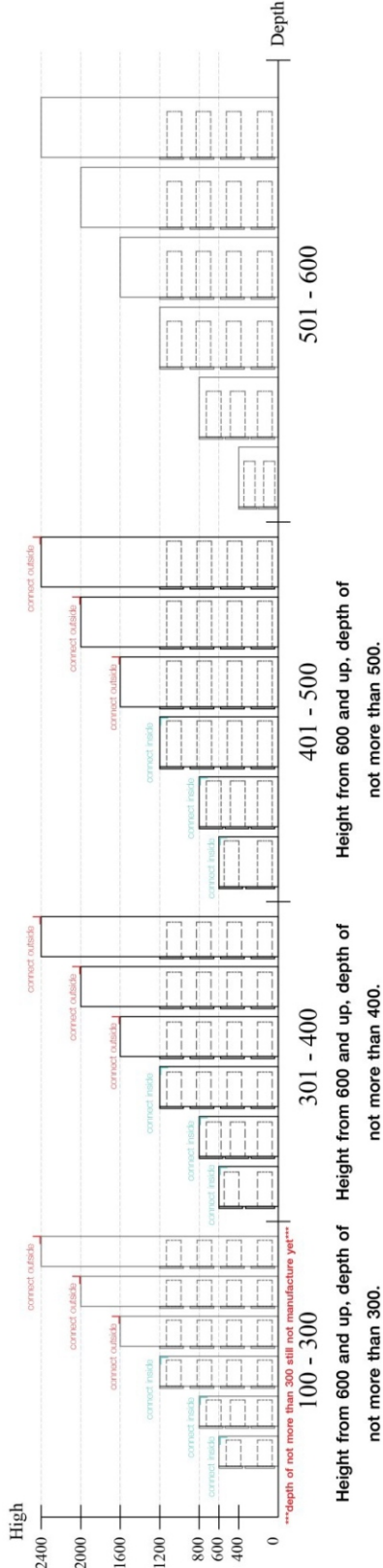
■ Mounted fall protection fittings



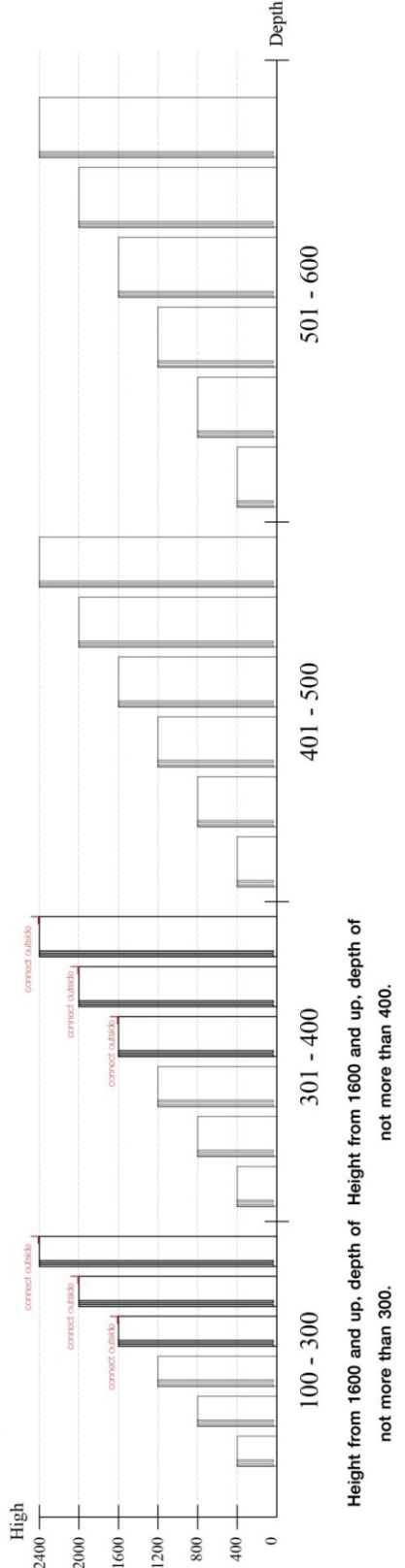
■ Category : Cabinet with open doors

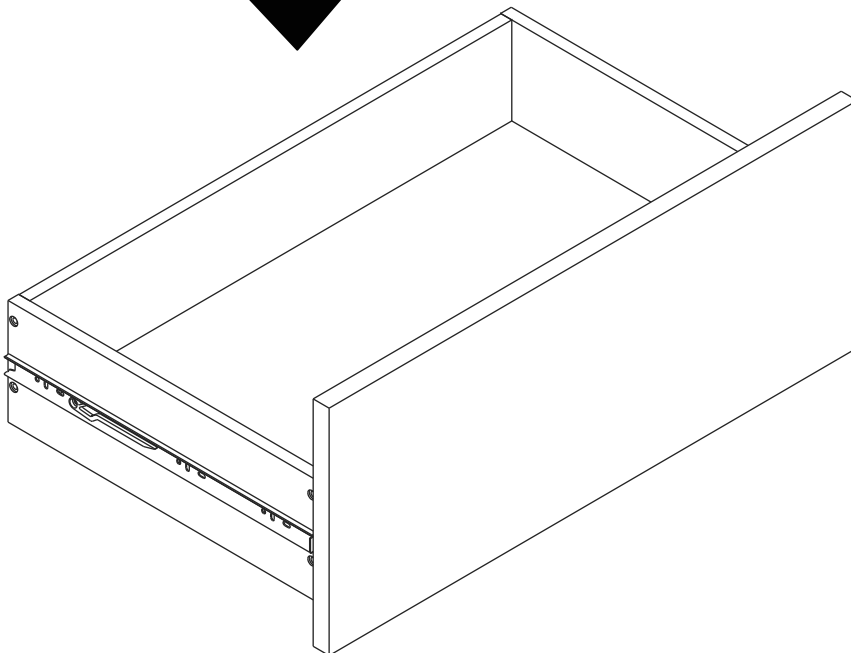
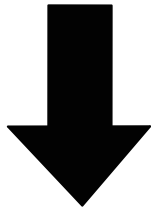
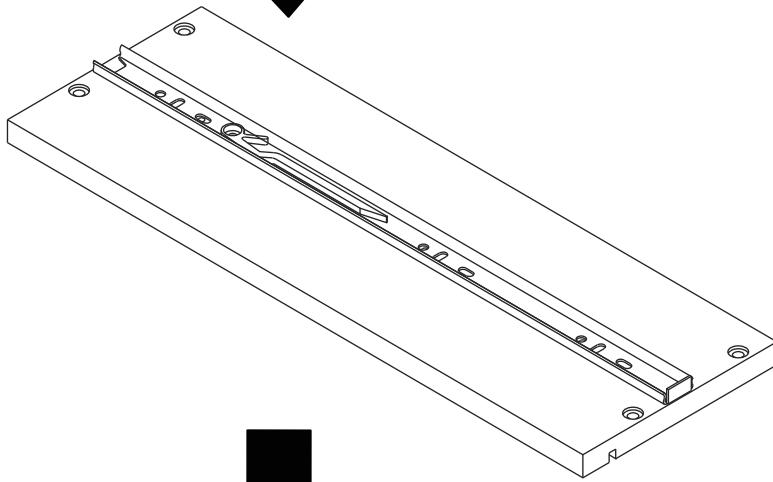
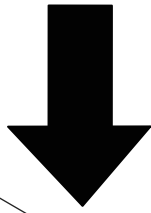
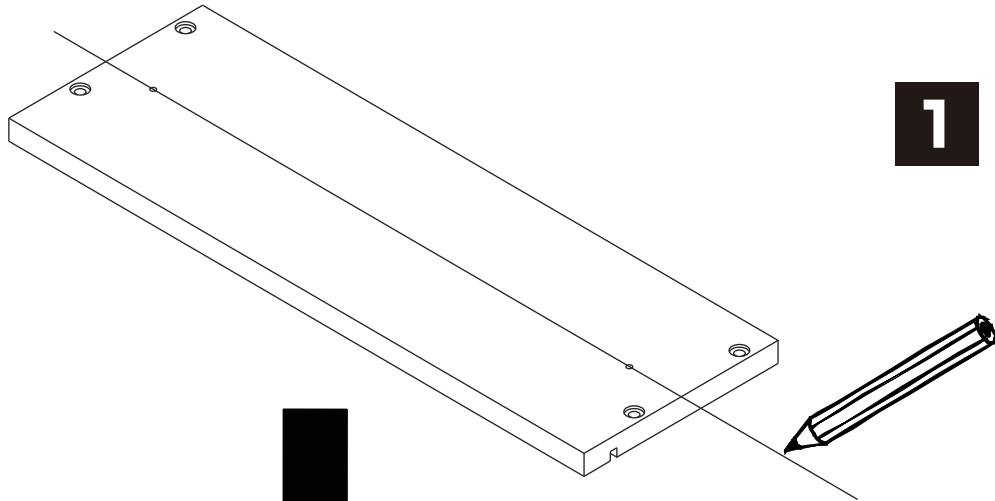


■ Category : Chest of drawers



■ Category : Sliding door cabinet / Open cabinet





HARDWARE

-BODY SET



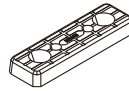
#8x35

x 16

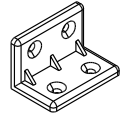


M4x16mm.

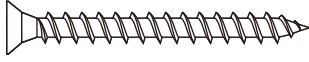
x 64



x 8

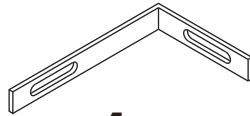


x 12



M4x40mm.

x 2



x 1

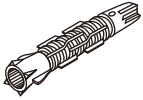


x 5



M4x16mm.

x 3



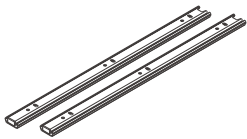
x 1



M5x50mm.

x 1

-DRAWER SET

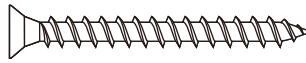


x 2



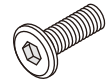
M3.5x13mm.

x 24



M4x40mm.

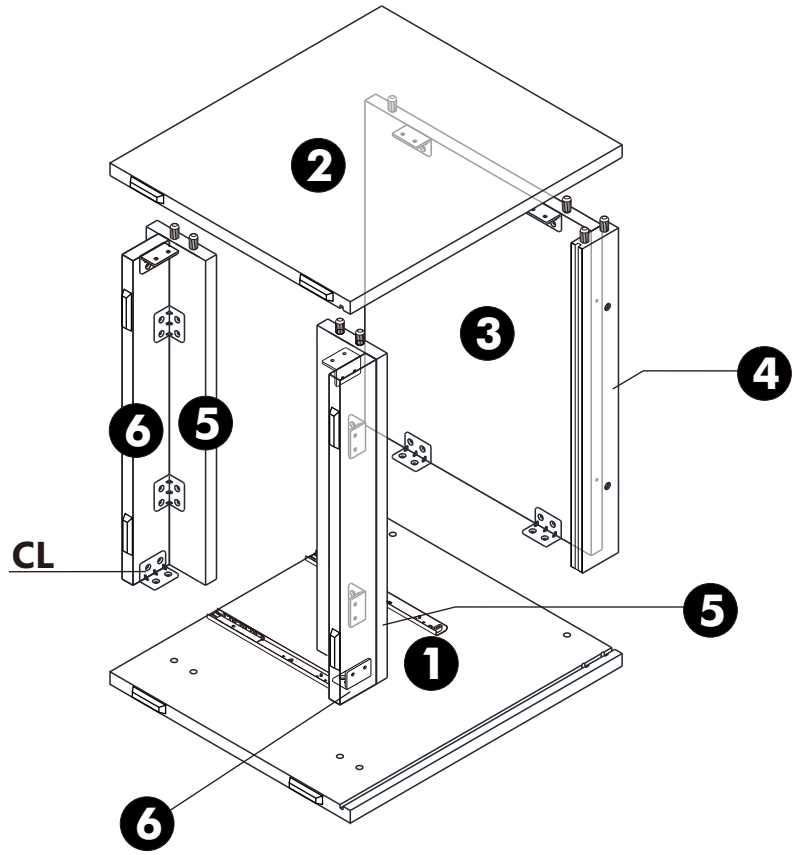
x 16



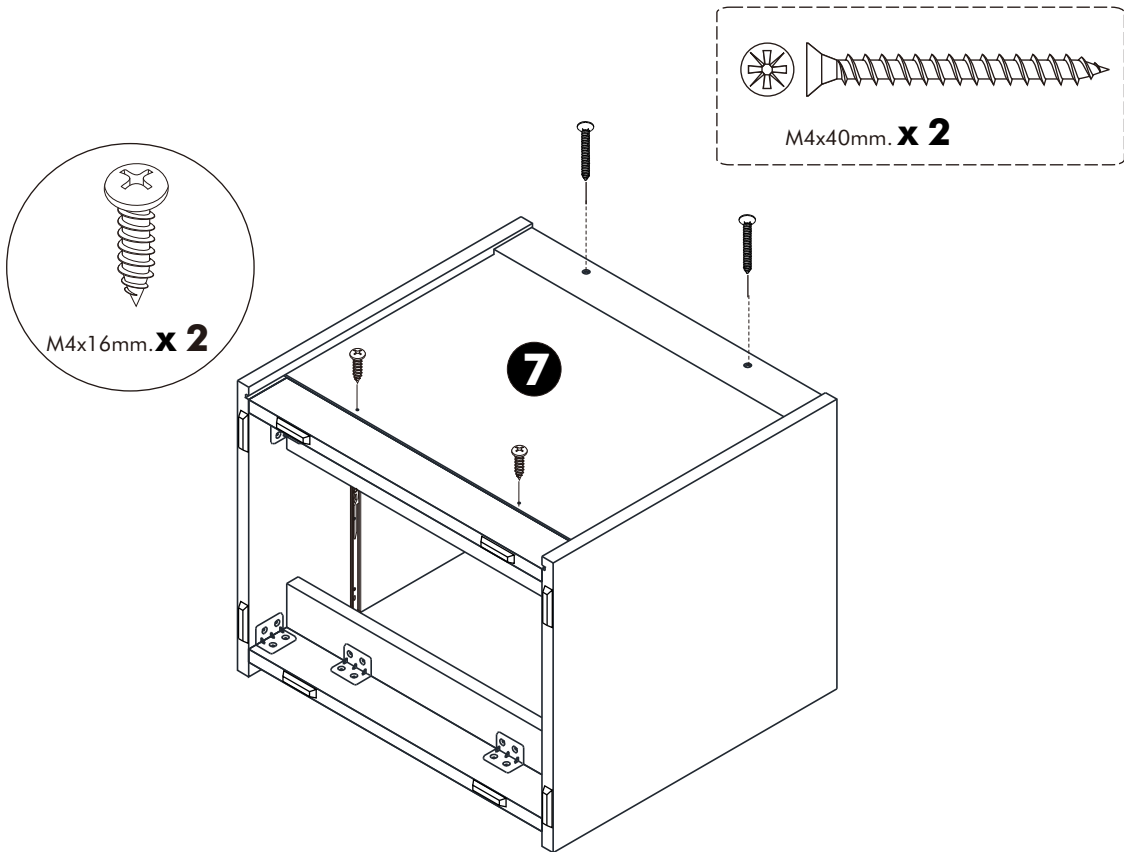
TFL4 M6x23

x 4

1.



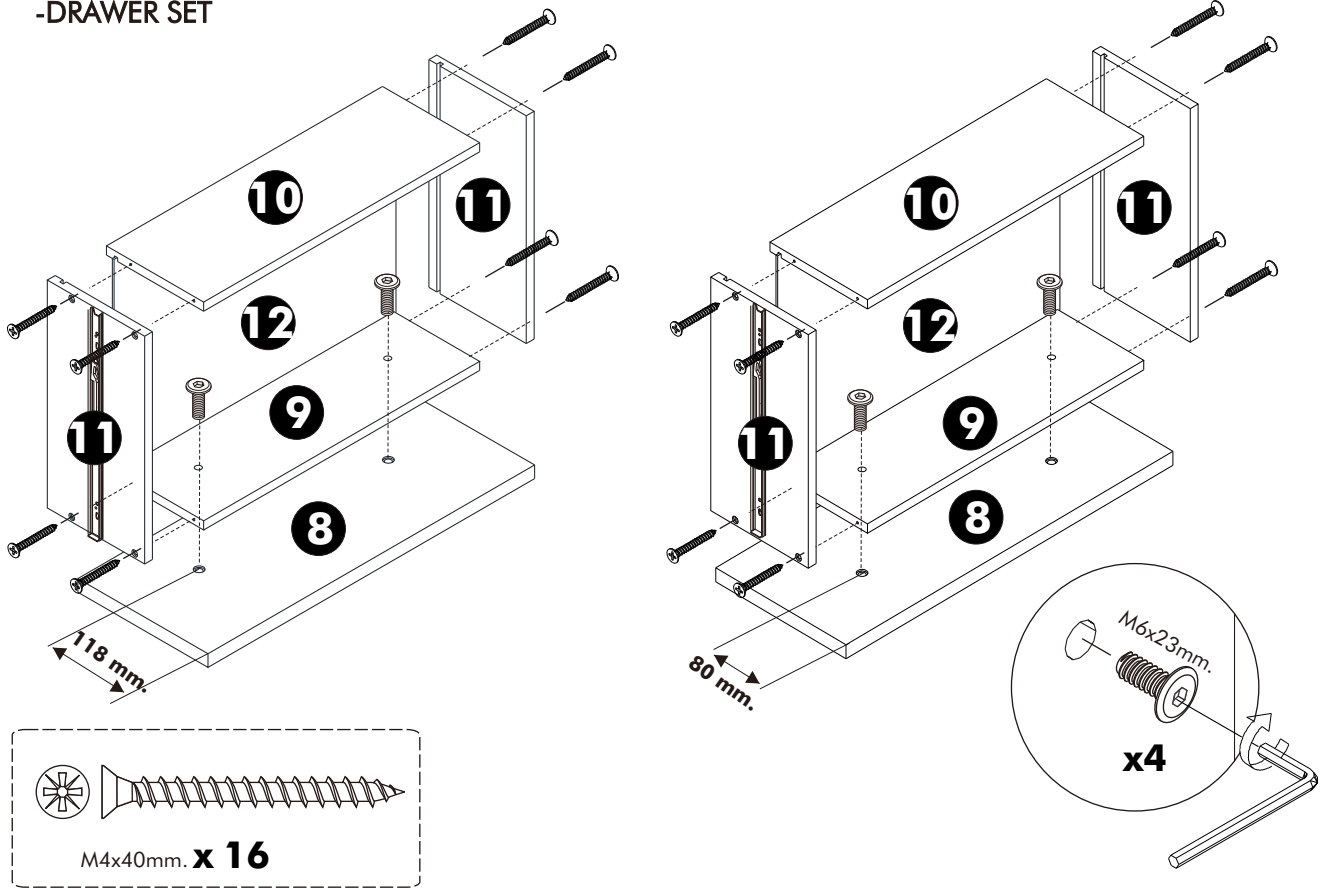
2.



3.

ASSEMBLY

-DRAWER SET



4.

