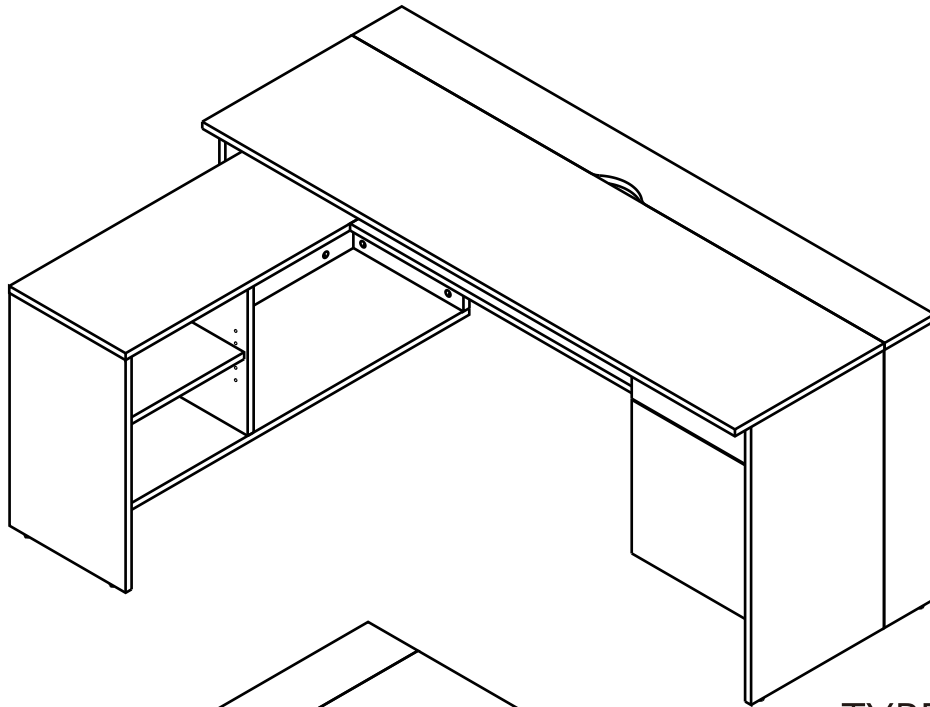
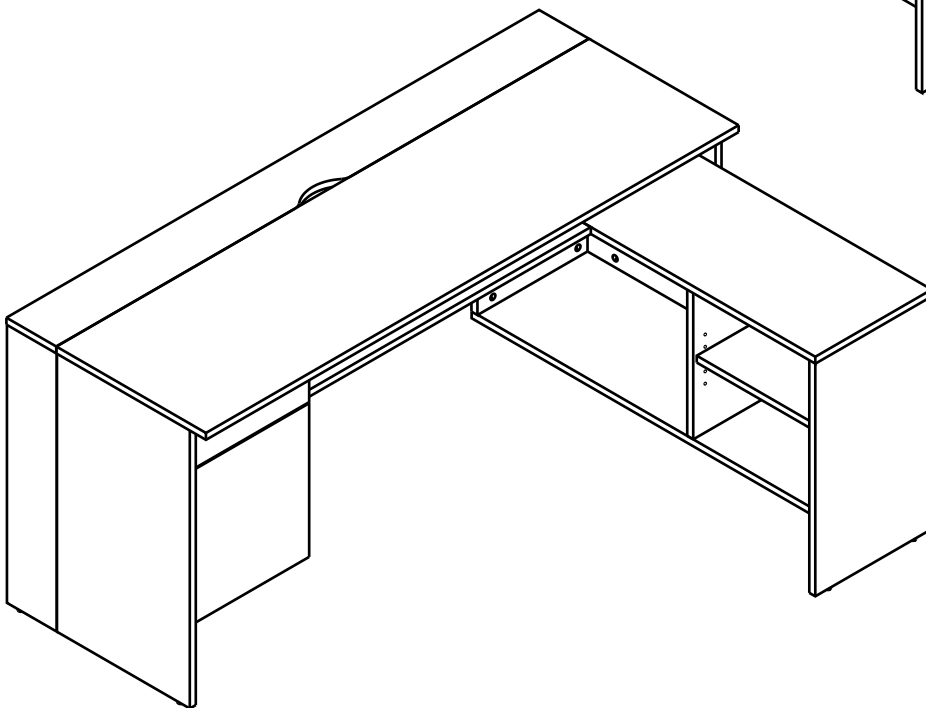


LARA

Work Station

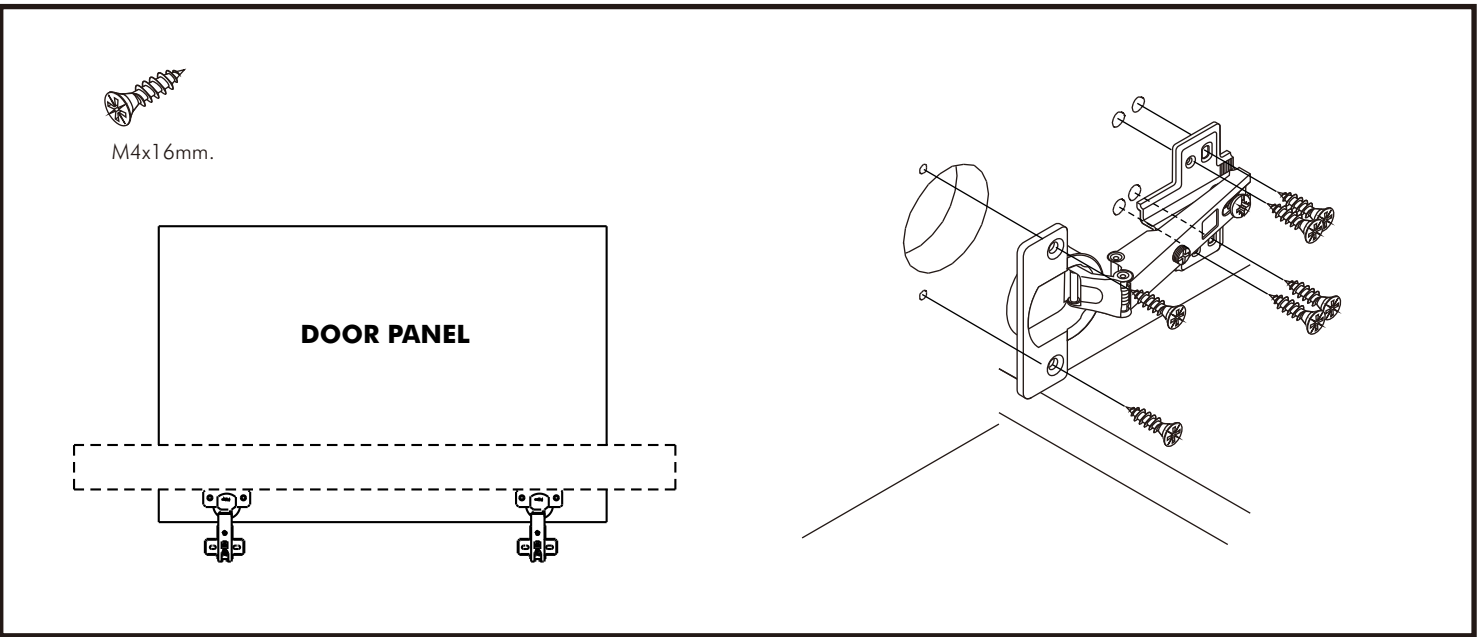
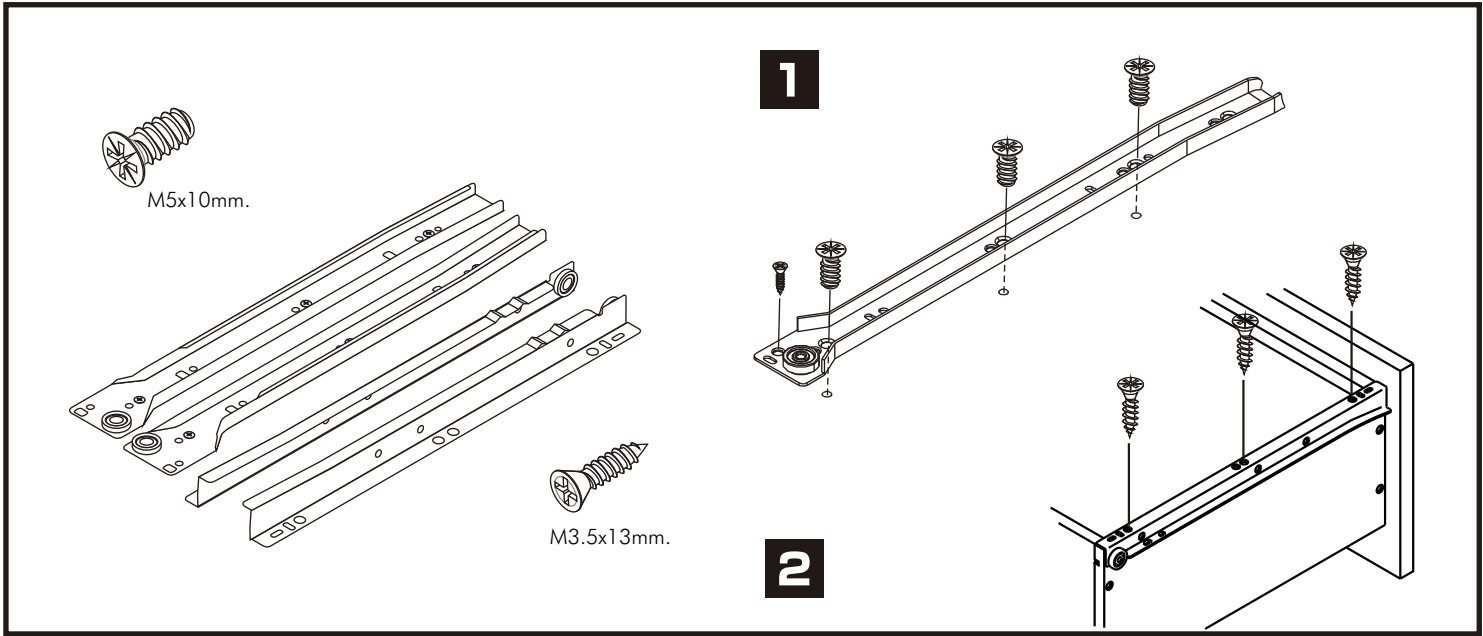
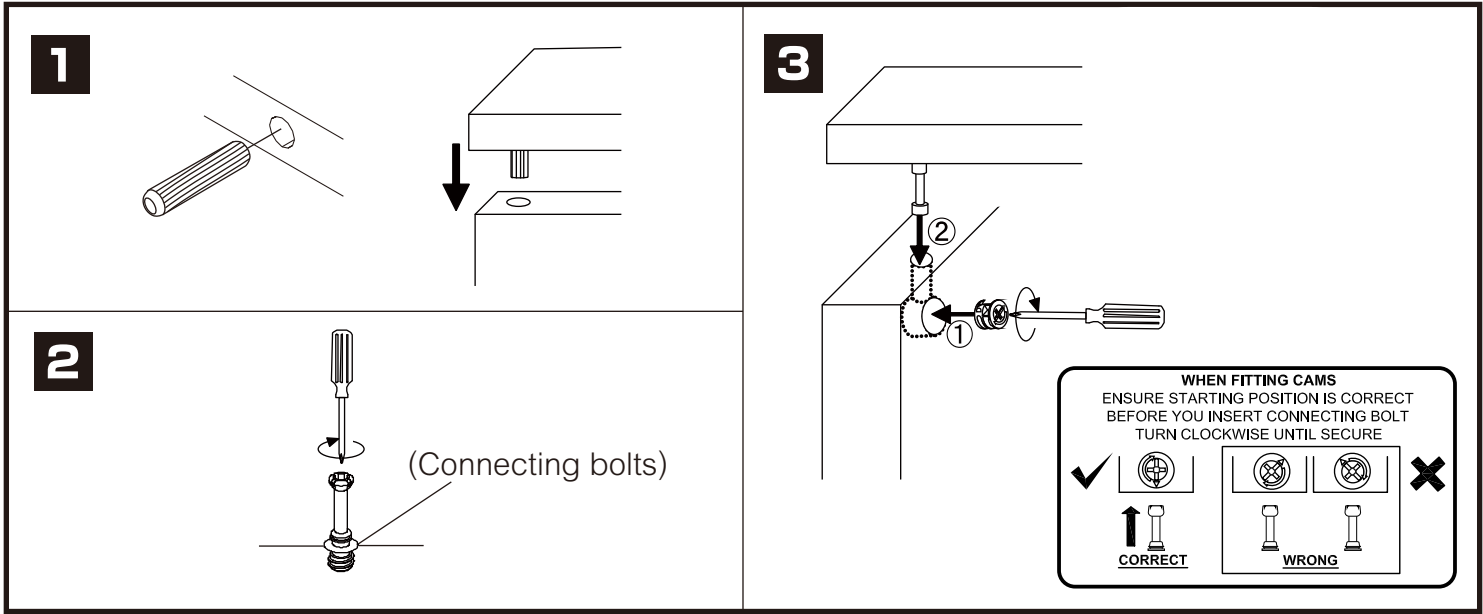


TYPE:LEFT



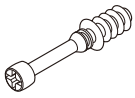
TYPE:RIGHT

CONNECT SYSTEM



HARDWARE

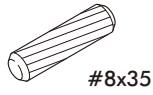
-BODY SET



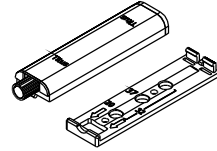
x 40



x 40



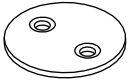
x 46



x 2



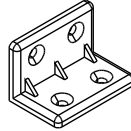
x 4



x 1



x 8



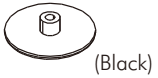
x 1



x 6



x 6



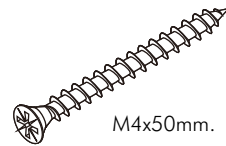
x 2



x 25



x 6



x 7



x 4

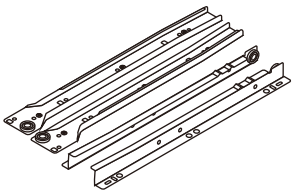


x 3



x 4

-DRAWER SET



x 1



x 8



x 8



x 2

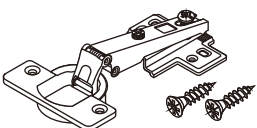


x 1



x 6

-DOOR SET



x 2/12



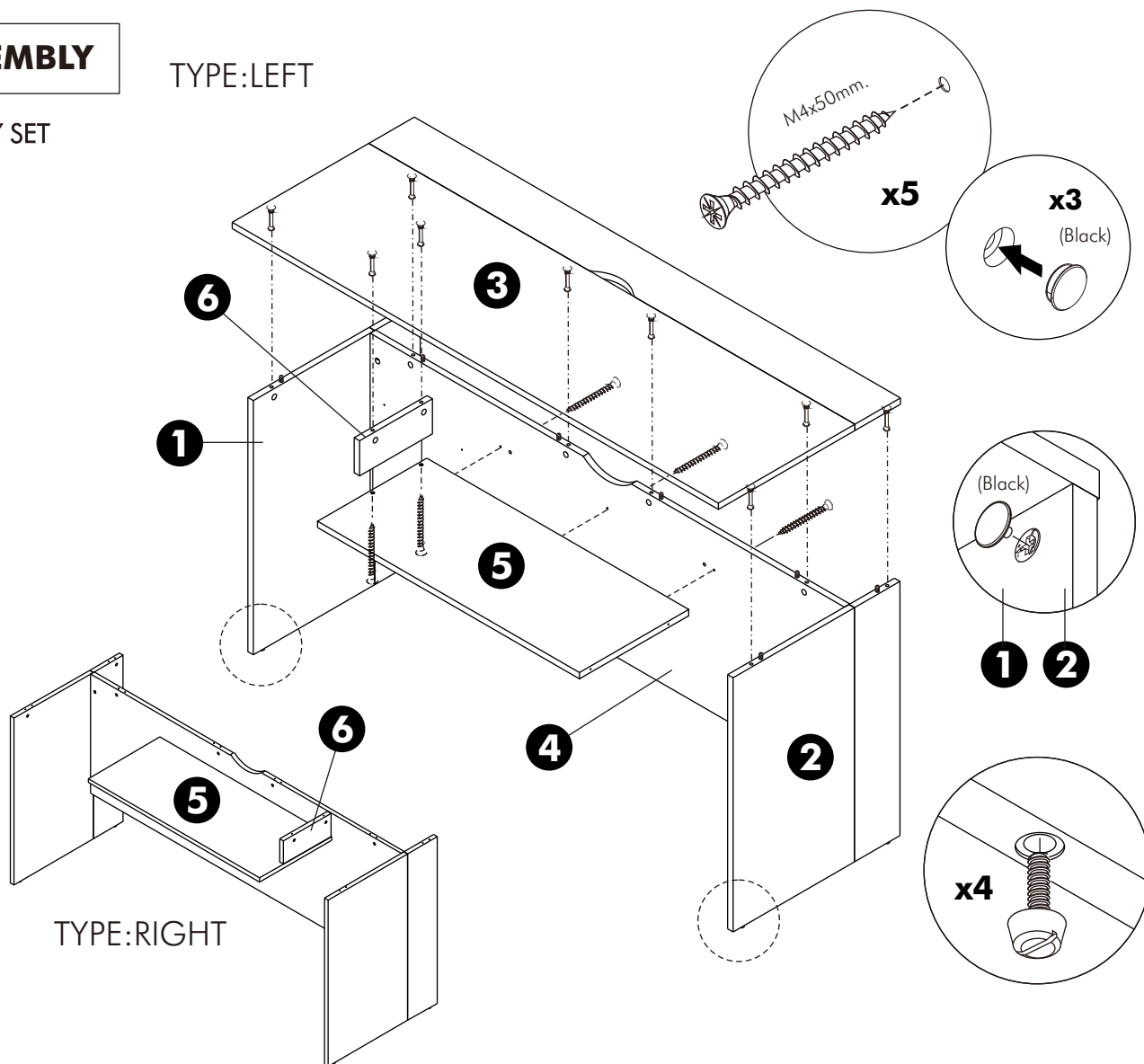
x 2

ASSEMBLY

TYPE:LEFT

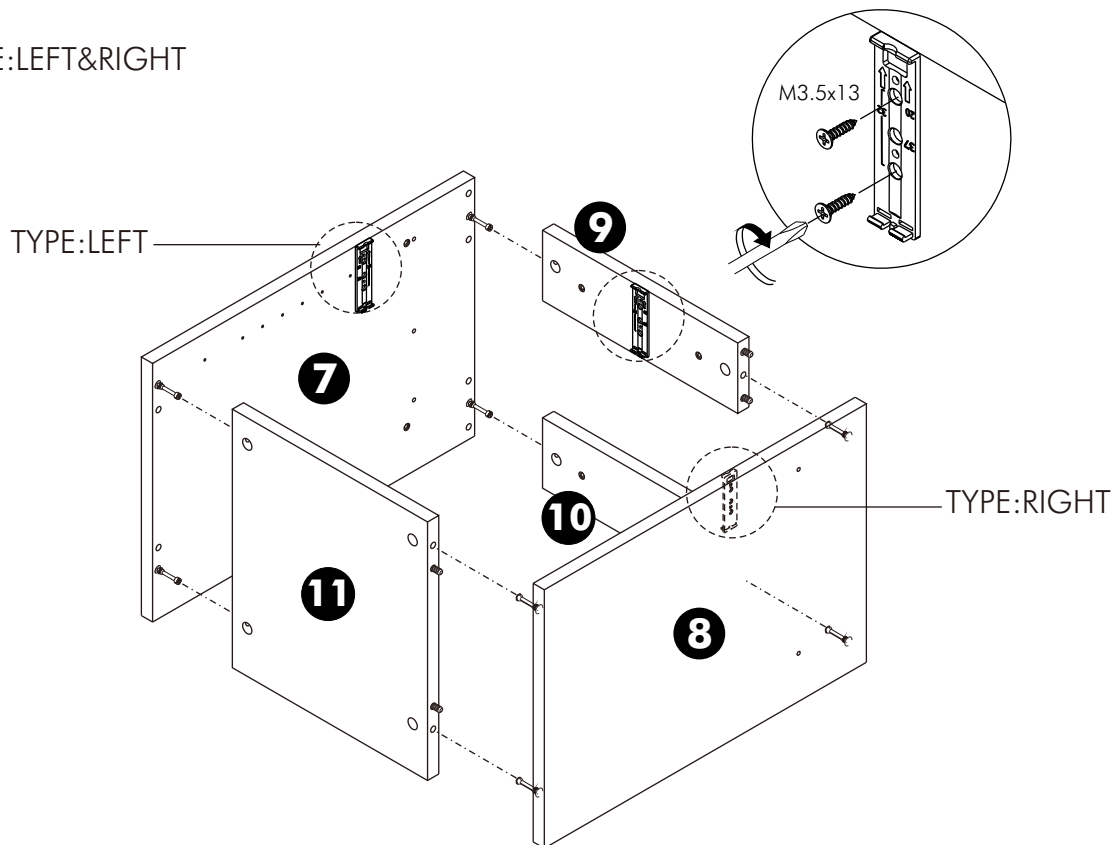
-BODY SET

1.

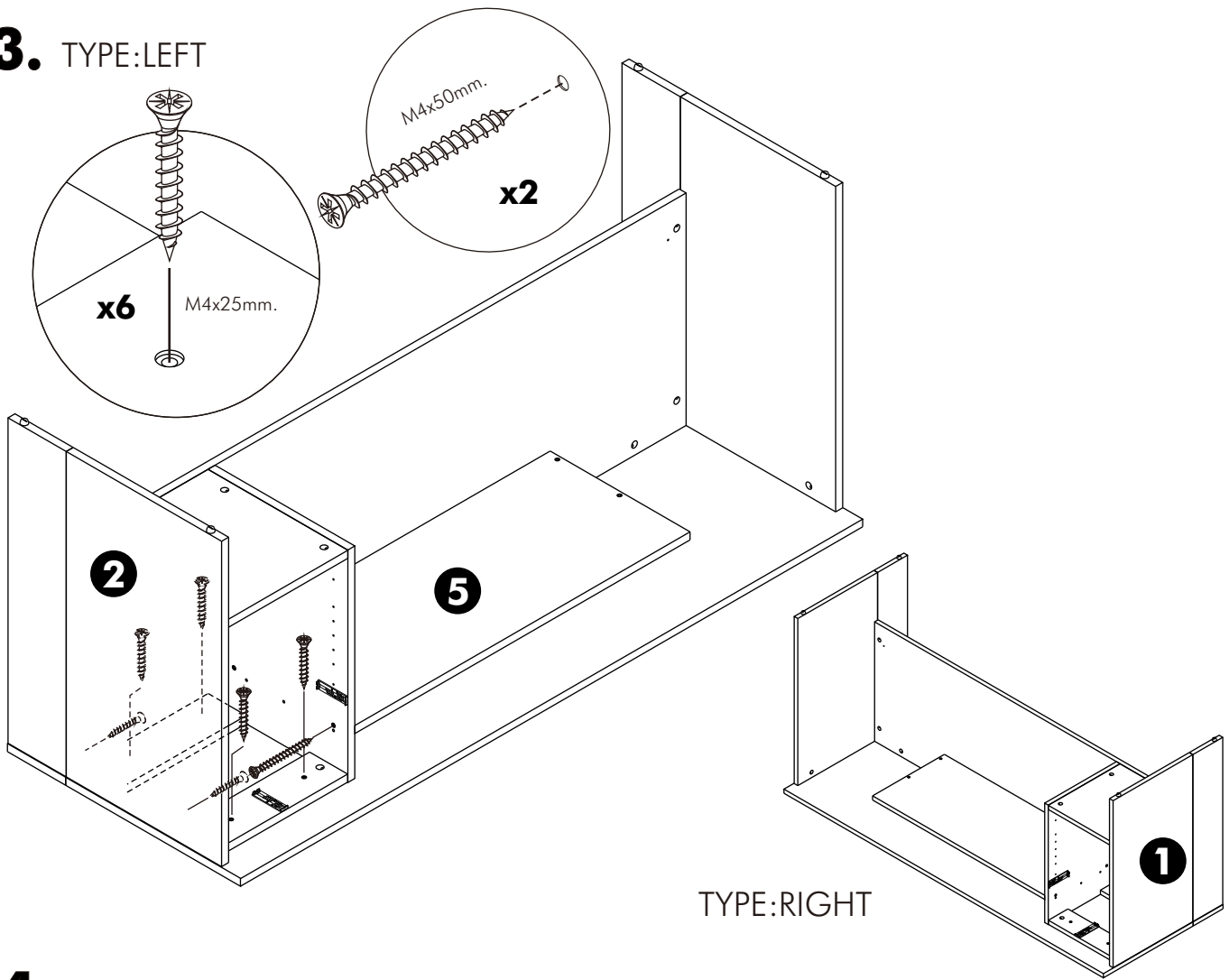


2.

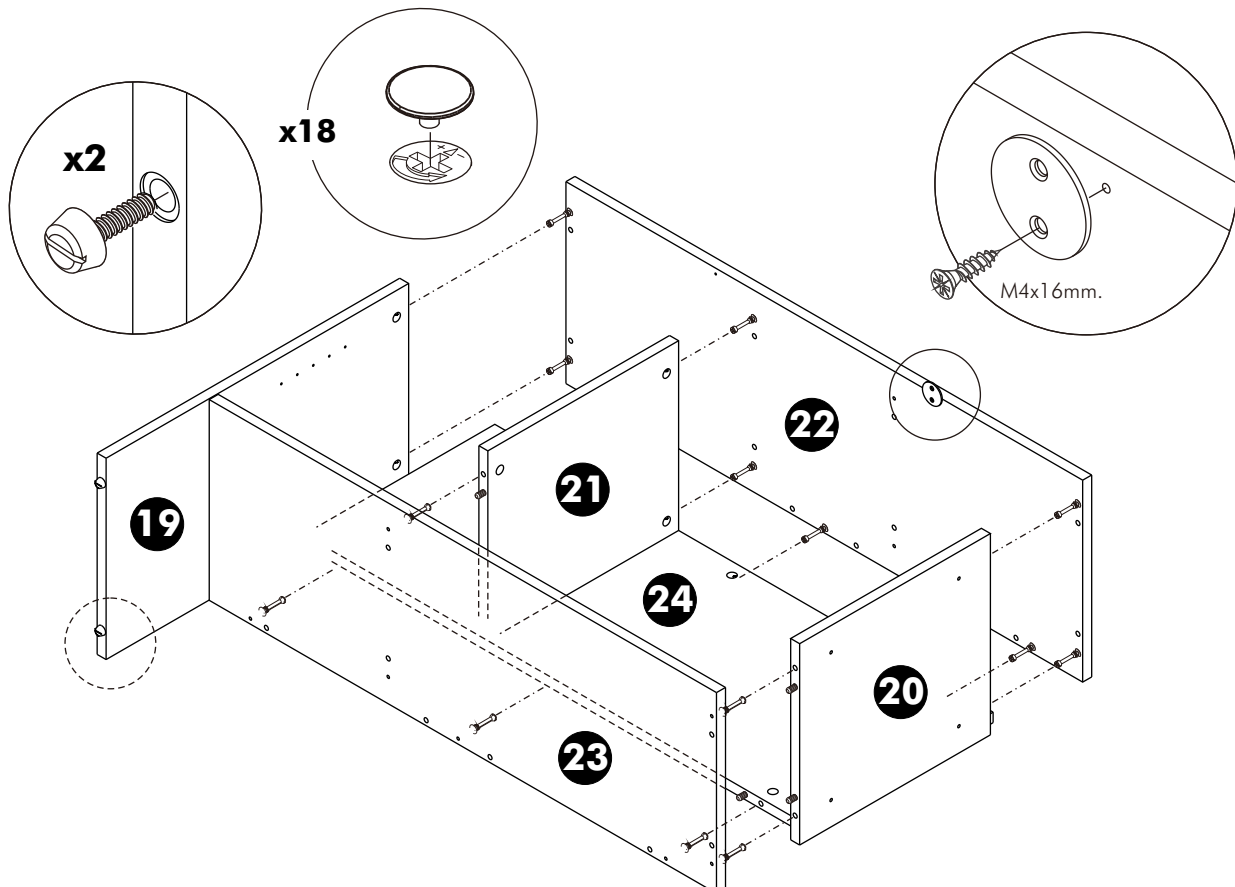
For TYPE:LEFT&RIGHT



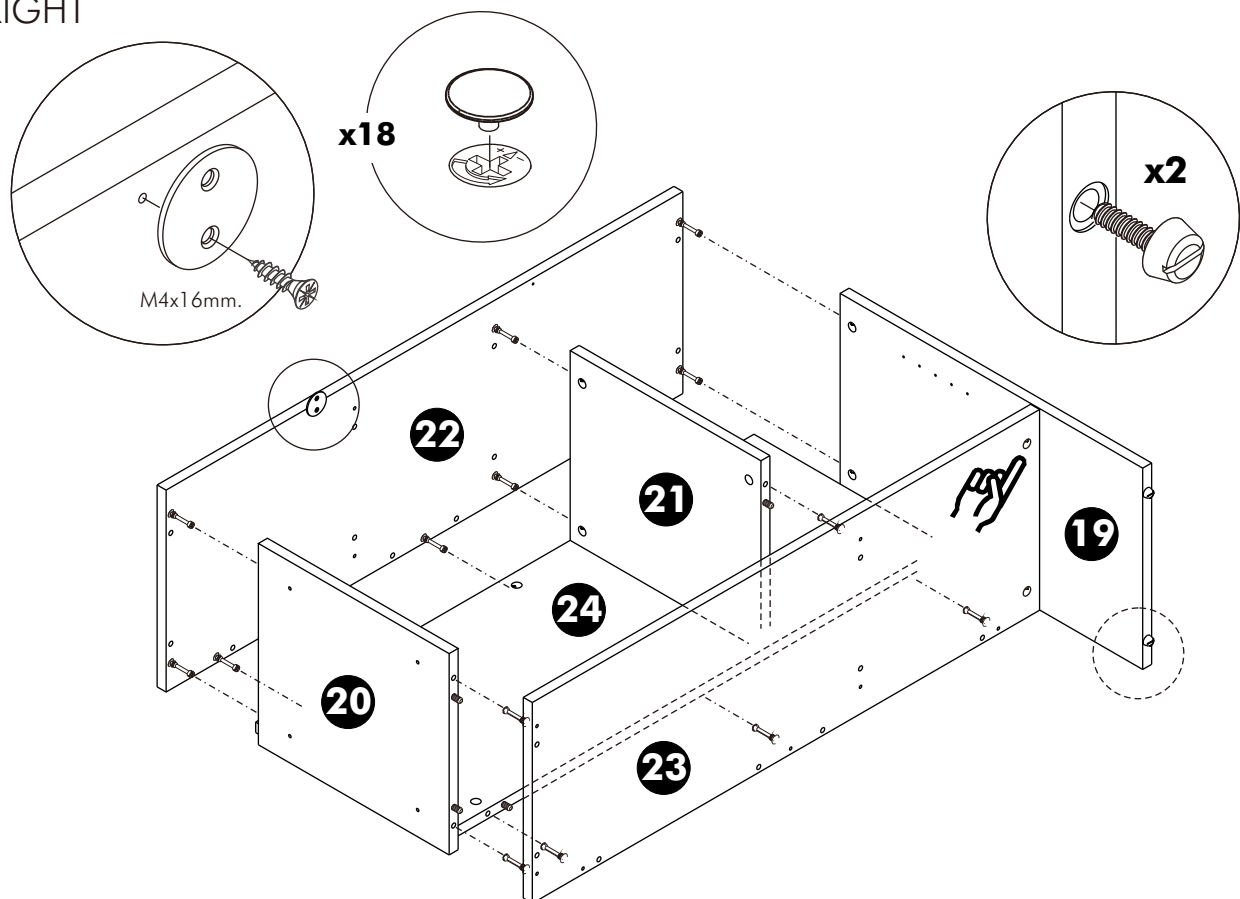
3. TYPE:LEFT



4. TYPE:LEFT

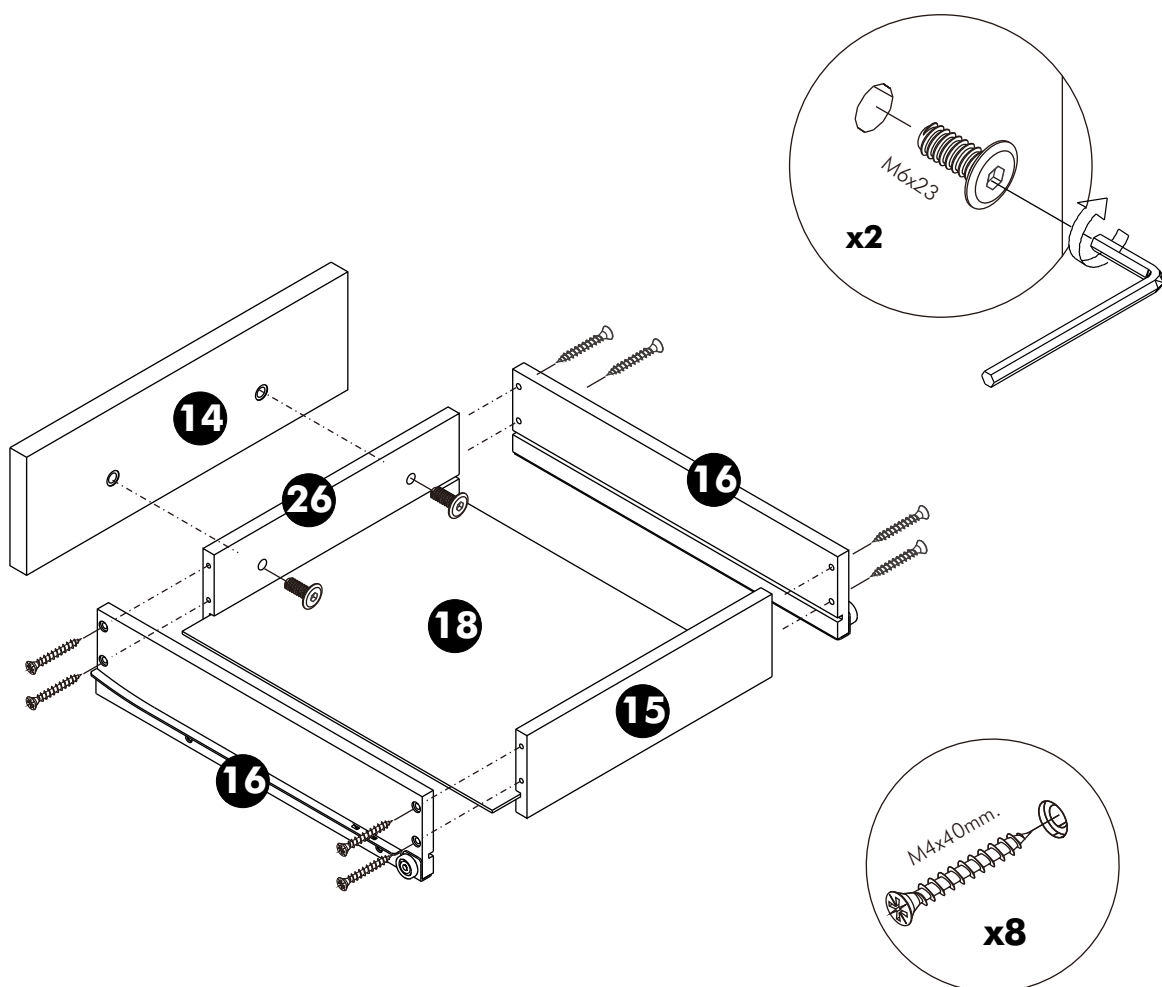


4. TYPE:RIGHT



ASSEMBLY

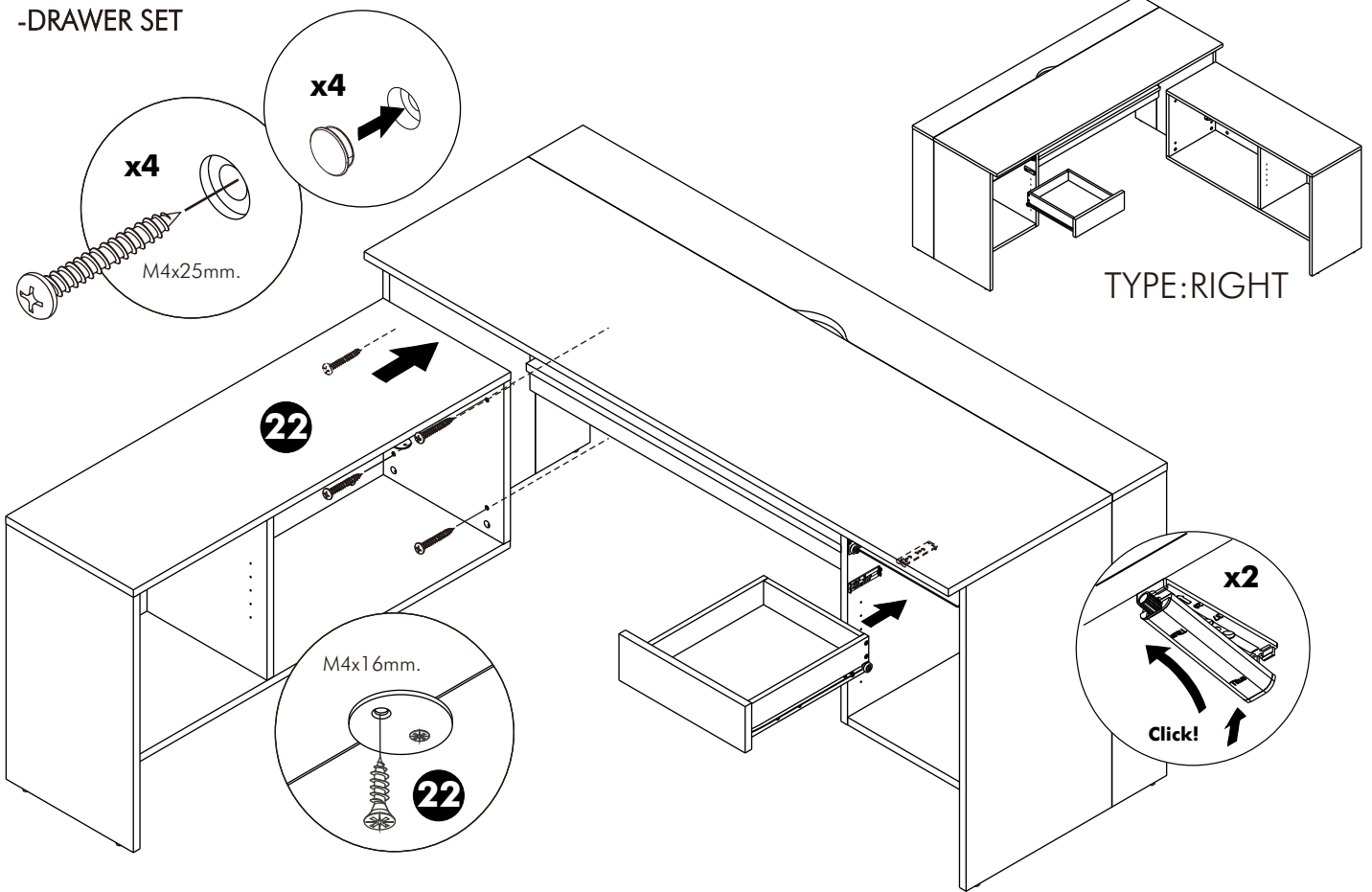
-DRAWER SET



ASSEMBLY

TYPE:LEFT

-DRAWER SET



ASSEMBLY

-DRAWER&DOOR SET

