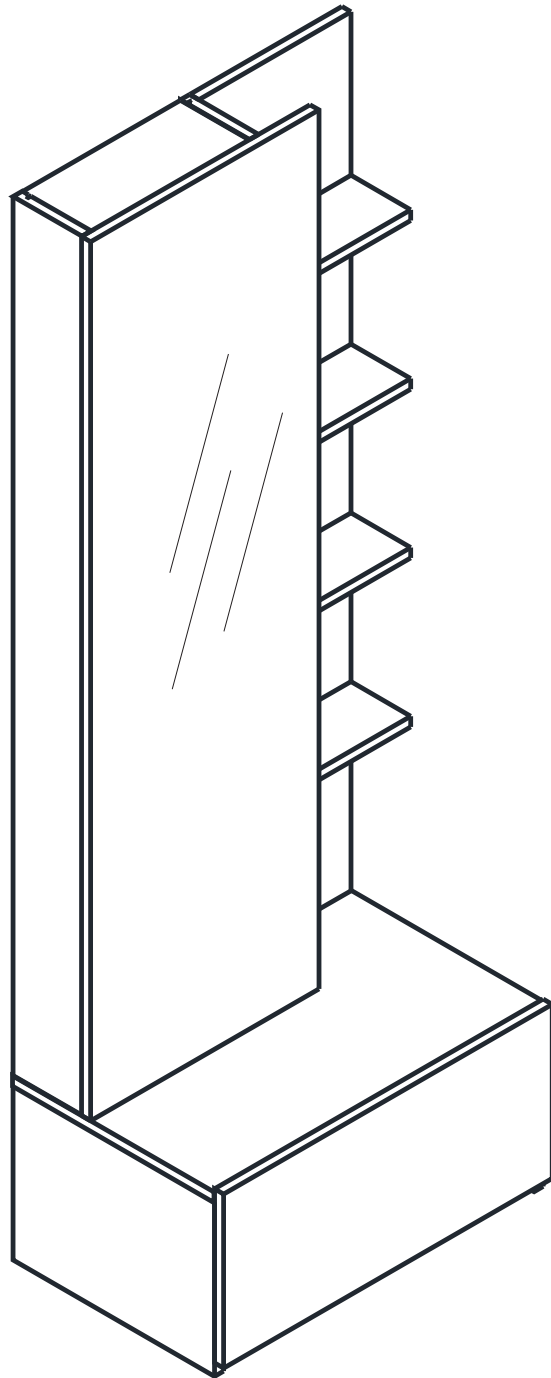


MAZZIMO-P

Dressing table



CONNECT SYSTEM

1

2

(Connecting bolts)

3

WHEN FITTING CAMS
 ENSURE STARTING POSITION IS CORRECT
 BEFORE YOU INSERT CONNECTING BOLT
 TURN CLOCKWISE UNTIL SECURE

✓				✗
↑	CORRECT	WRONG		

M4x16mm.

i

40mm.

☹

✗

EQ

☺

✓

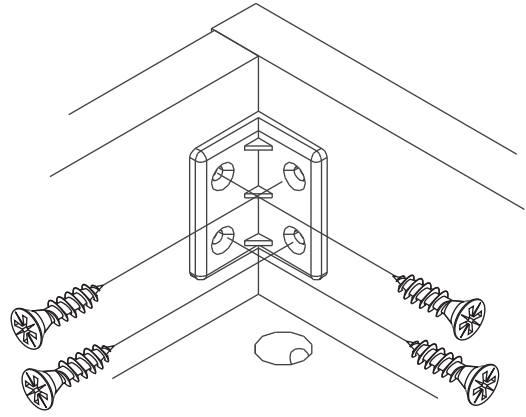
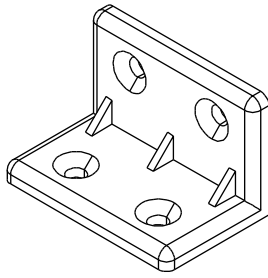
M3.5x13mm.

1

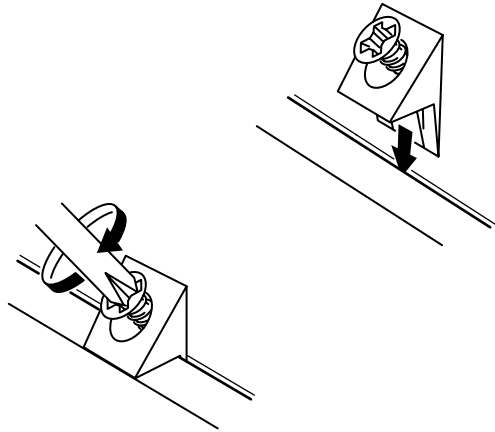
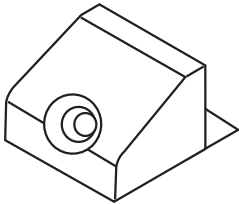
2

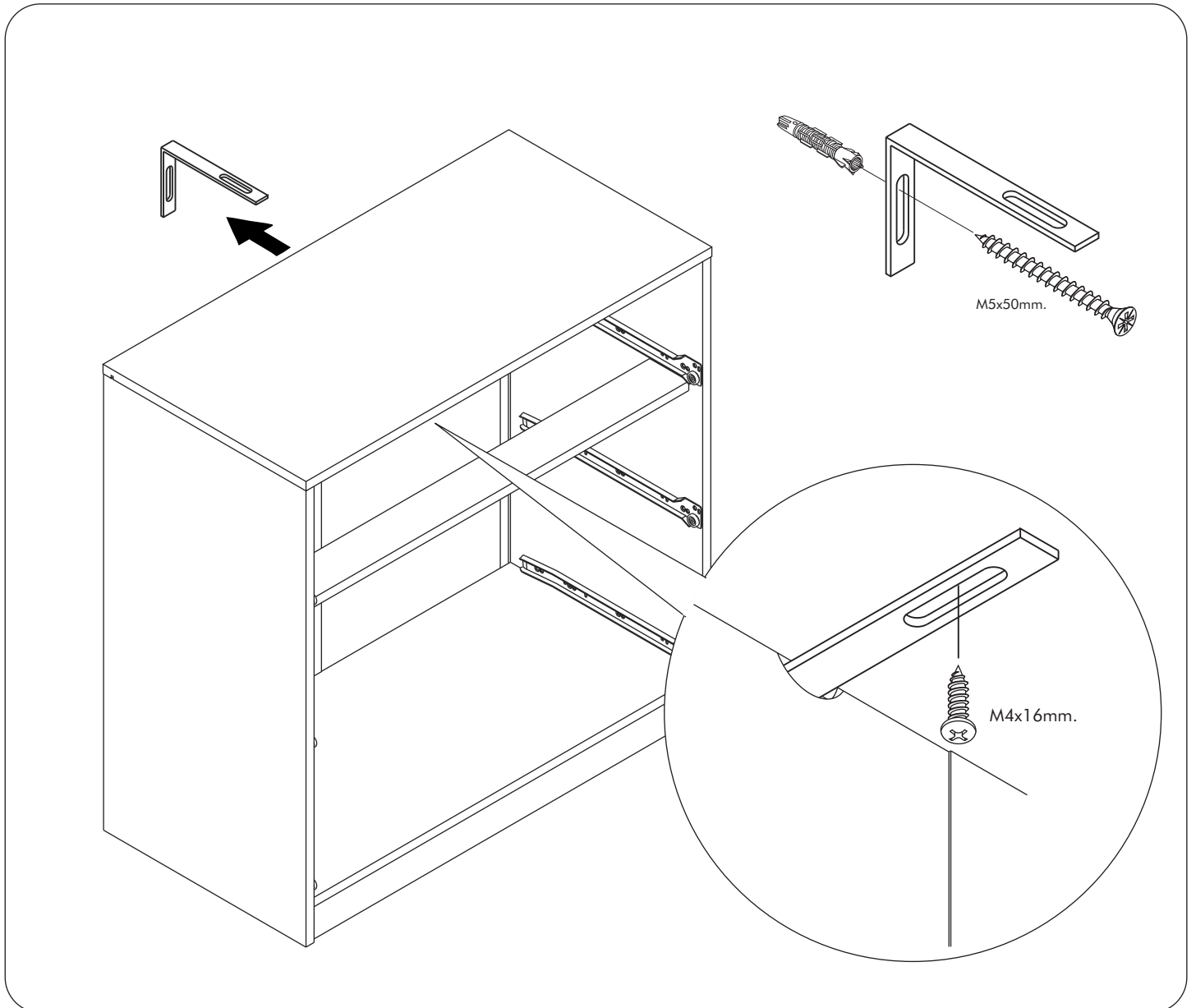
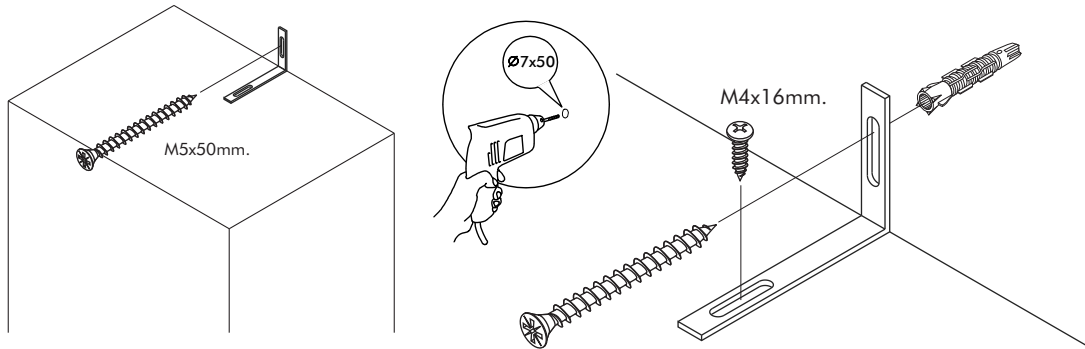
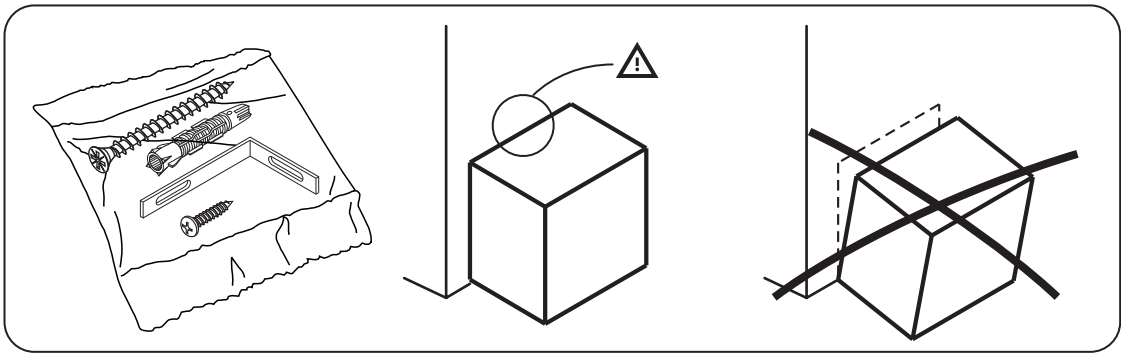


M4x16mm.



M3.5x20mm.





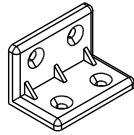
HARDWARE

-BODY SET



#8x35

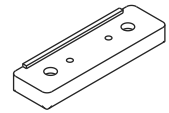
x 32



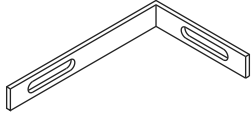
x 25



x 8



x 8



x 1



M3.5x20mm.

x 8



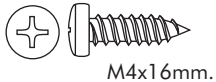
M4x16mm.

x 116



M4x50mm.

x 23



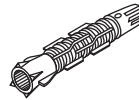
M4x16mm.

x 4



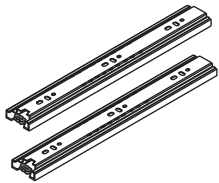
M5x50mm.

x 1



x 1

-DRAWER SET



x 1



M3.5x13mm.

x 12



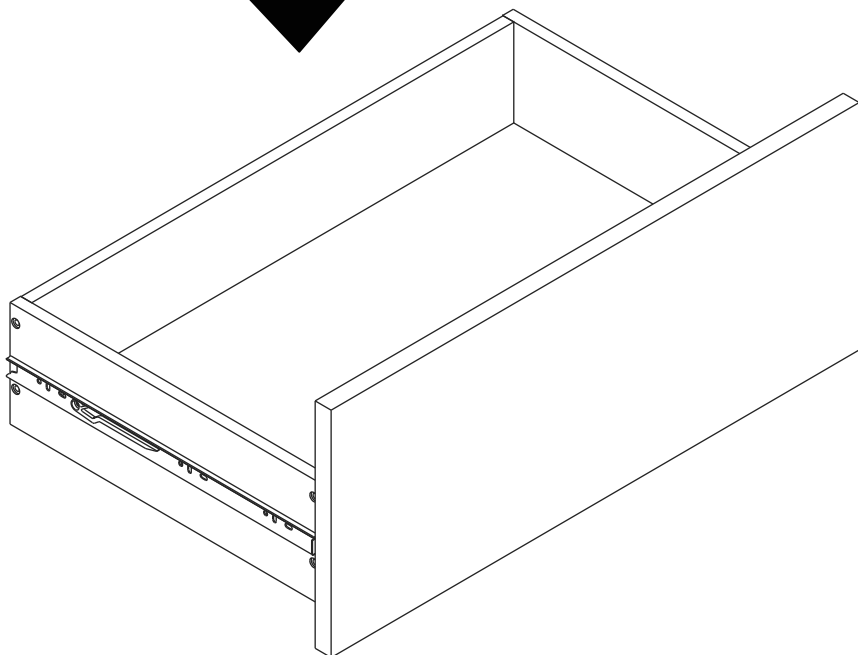
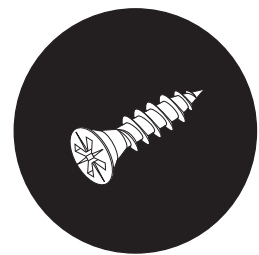
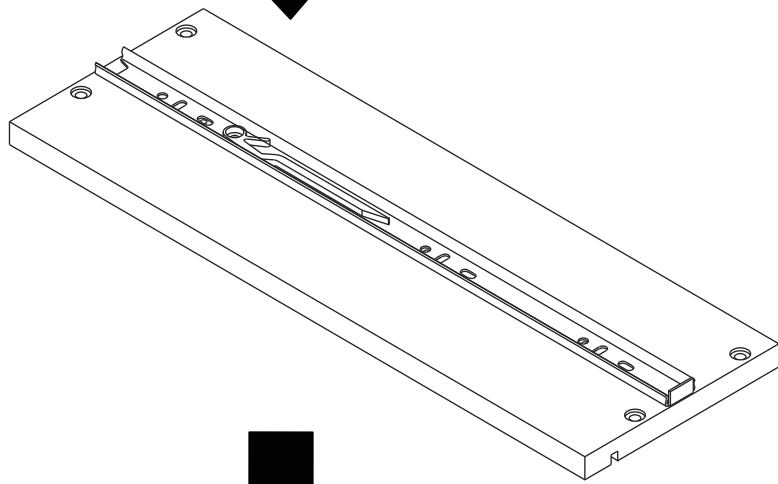
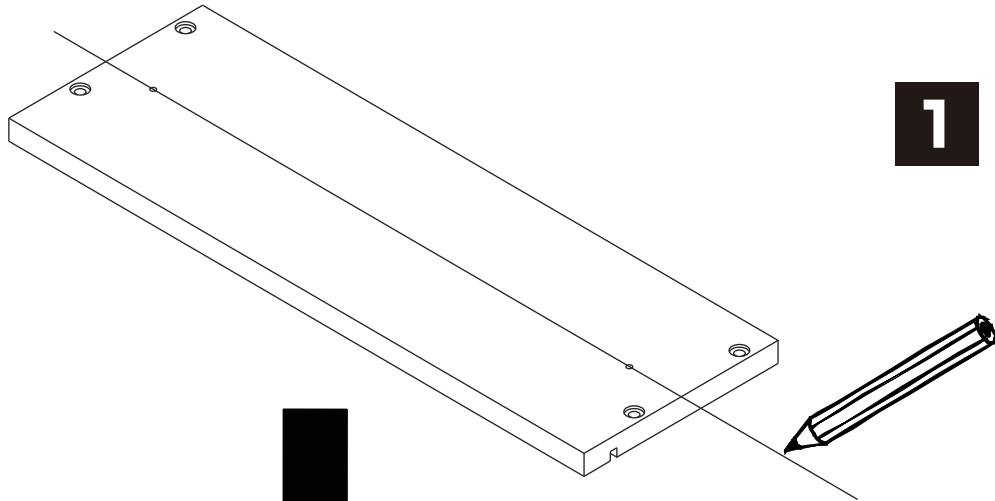
M4x40mm.

x 10



M6x23mm.

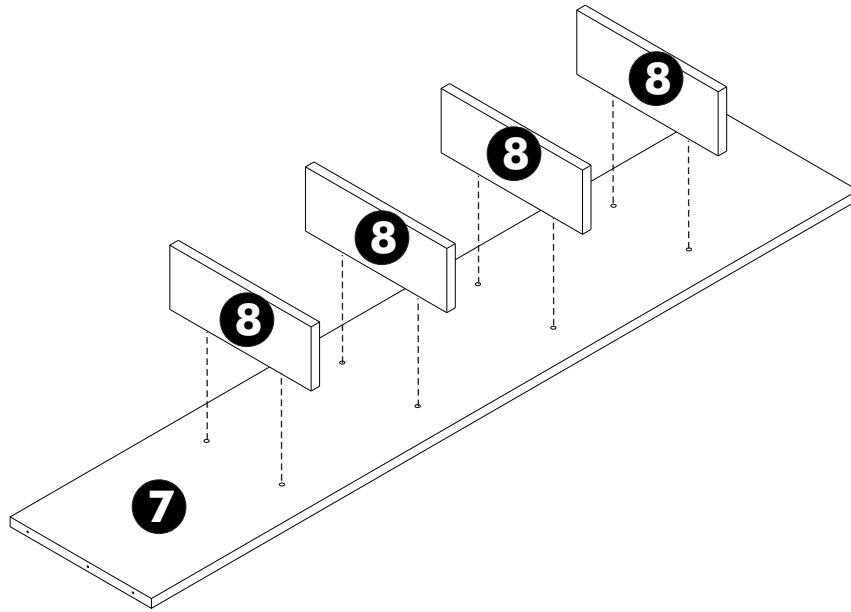
x 4



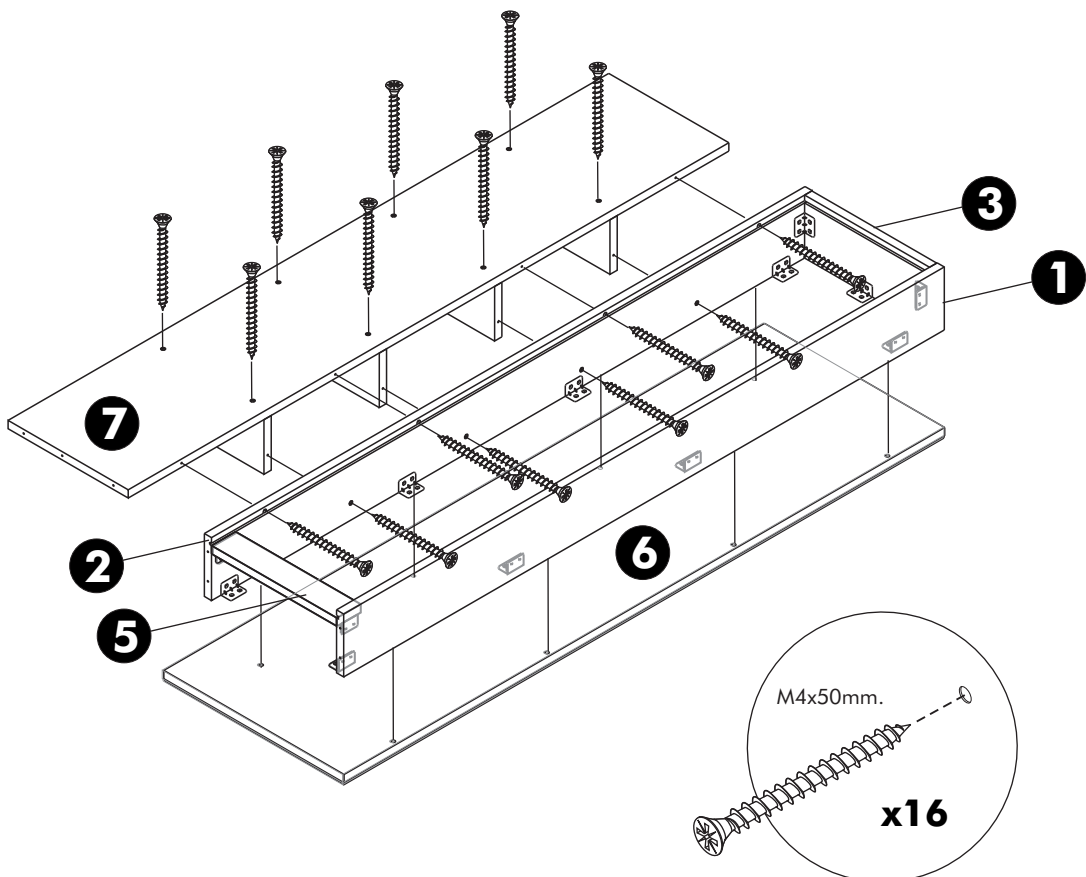
ASSEMBLY

-BODY SET

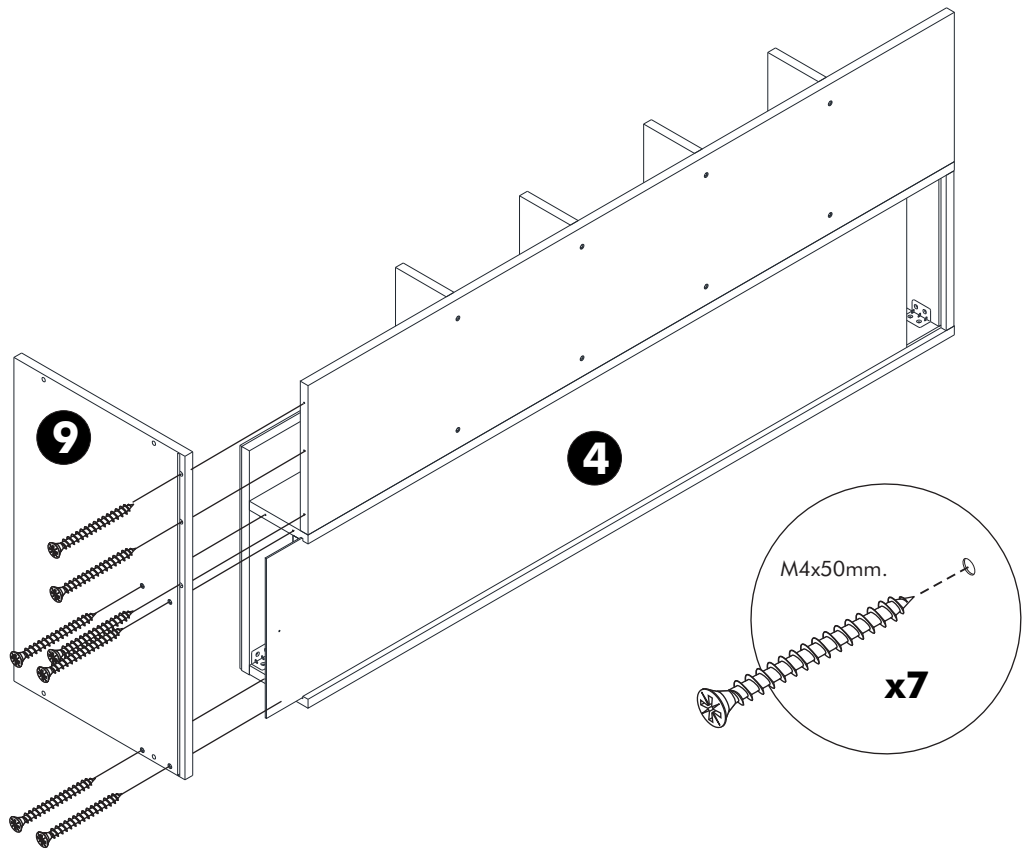
1.



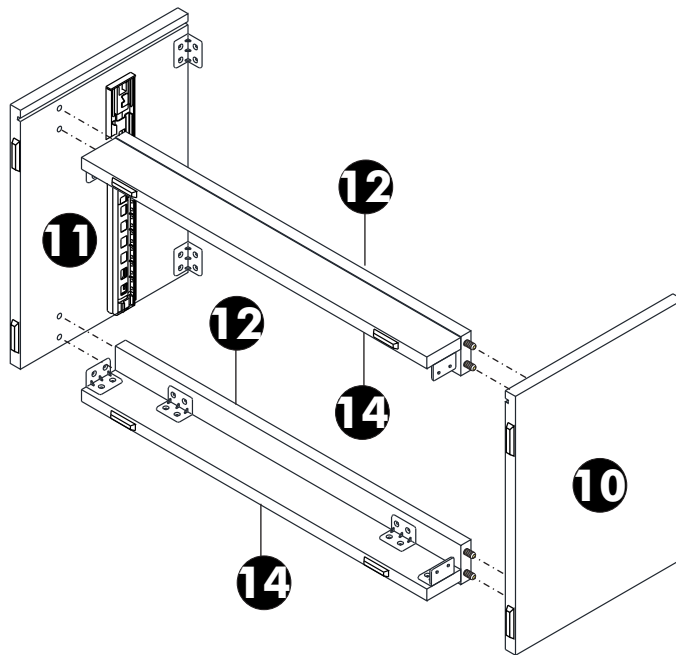
2.



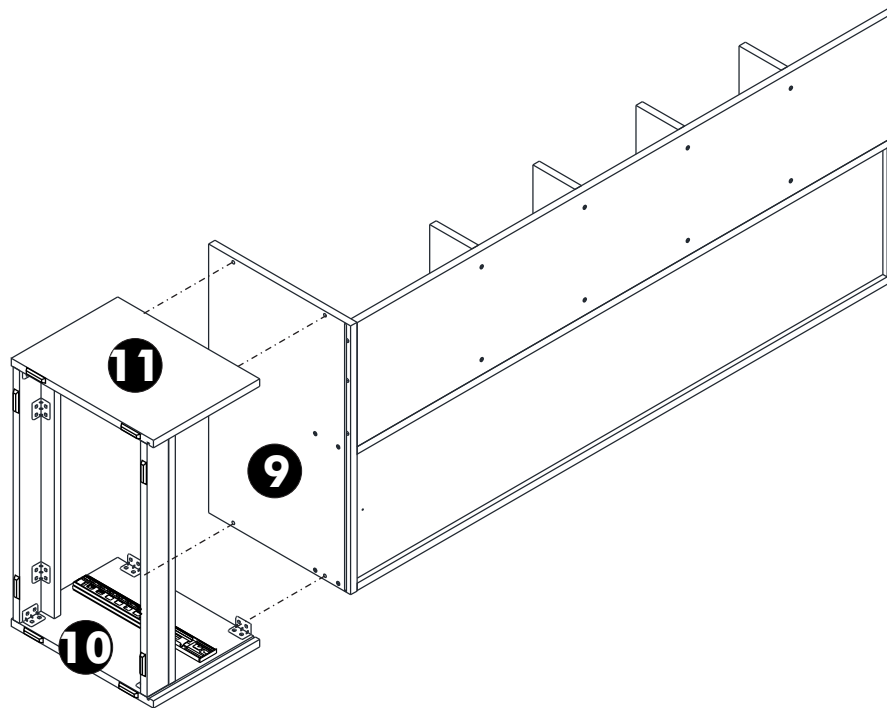
3.



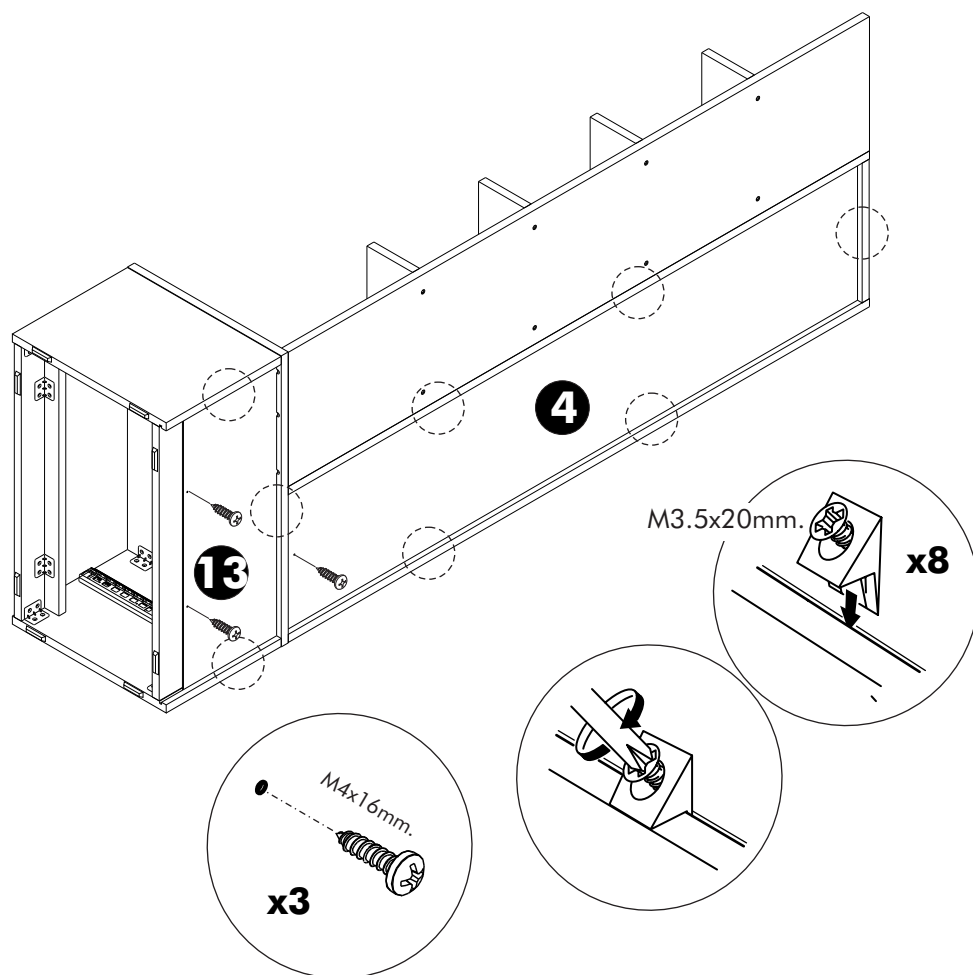
4.



5.



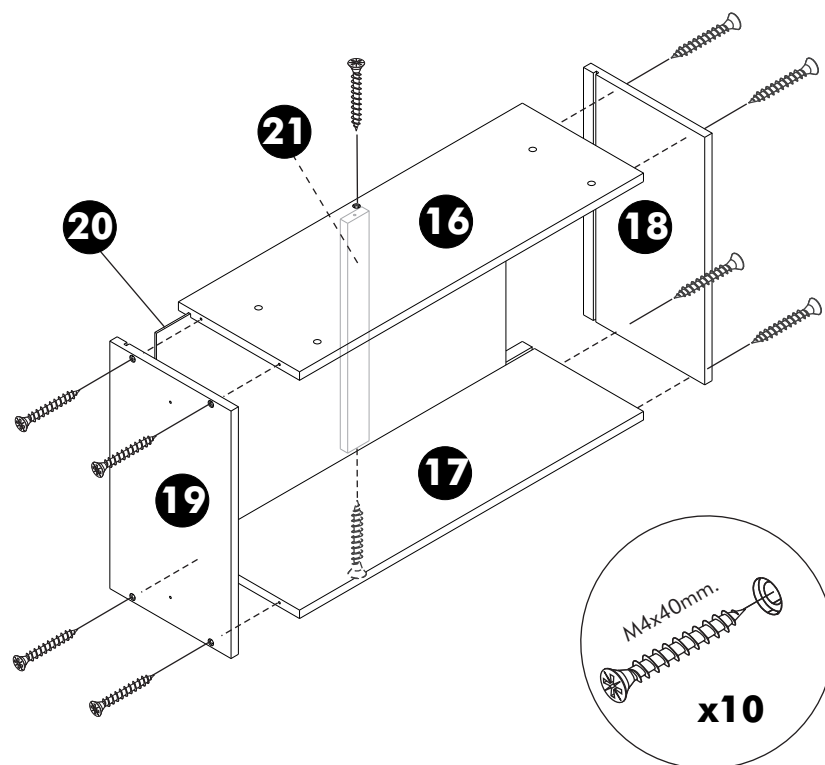
6.



7.

ASSEMBLY

-DRAWER SET



8.

