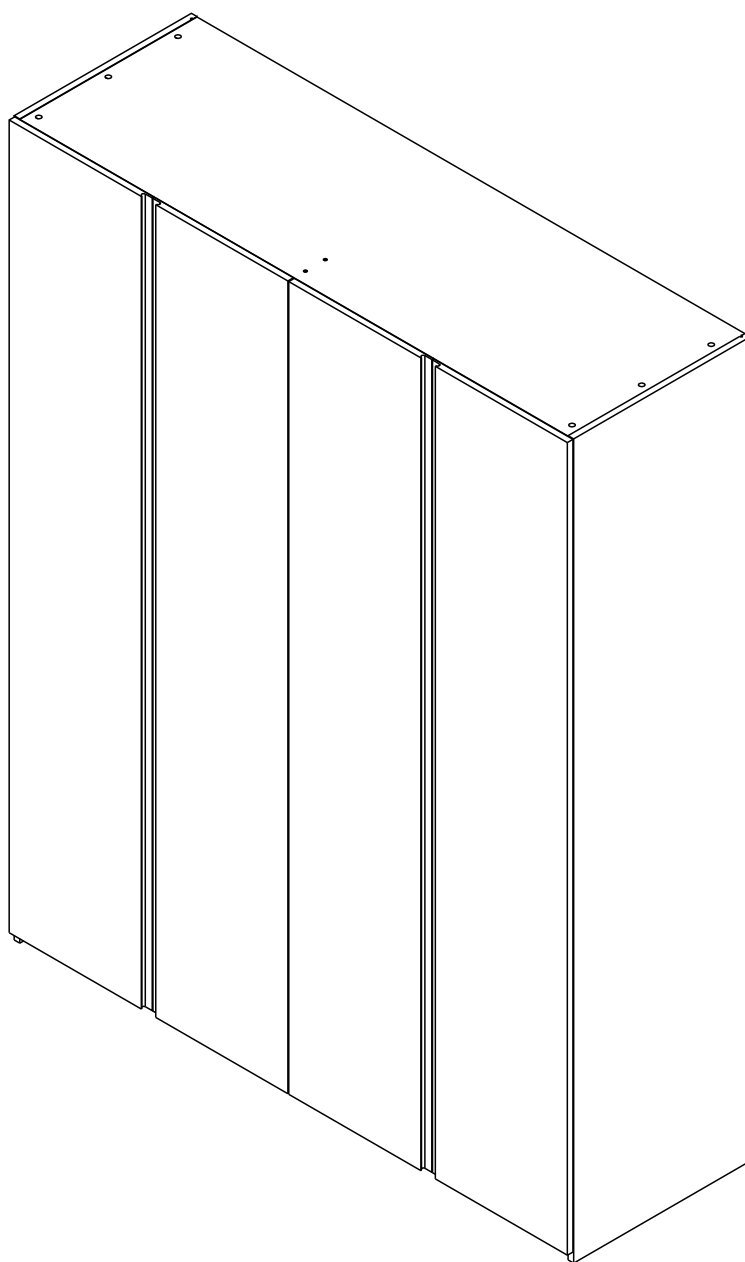
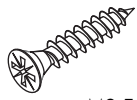


# HAZE

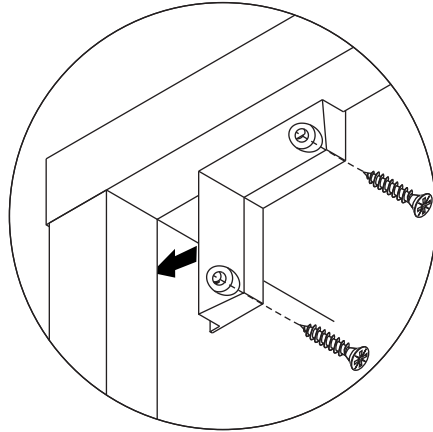
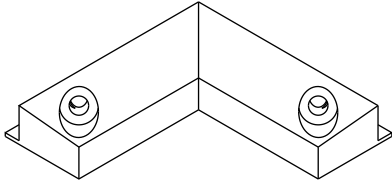
## Wardrobe 4 Doors



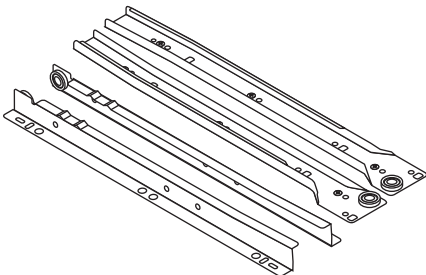
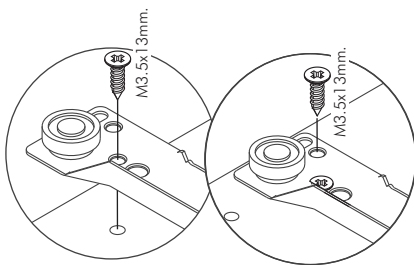




M3.5x20mm.

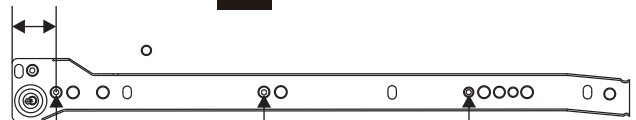


M3.5x13mm.



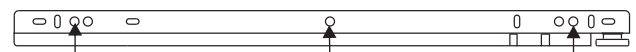
28mm.

**1**



Use these holes

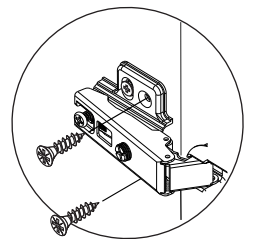
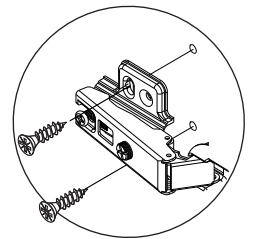
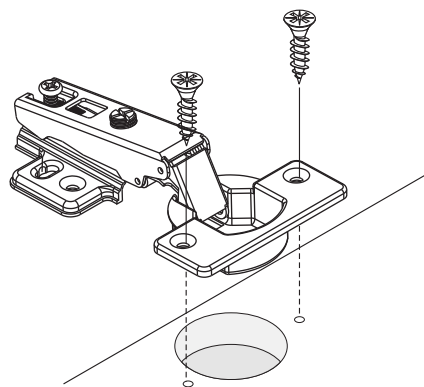
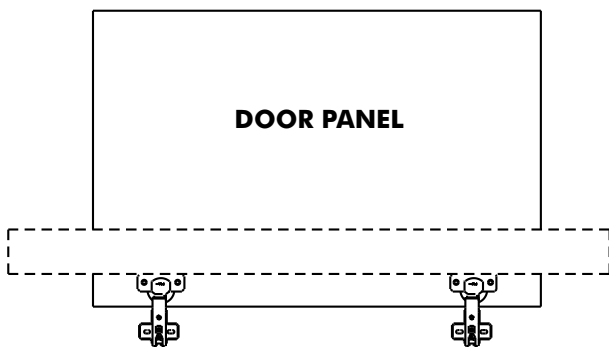
**2**

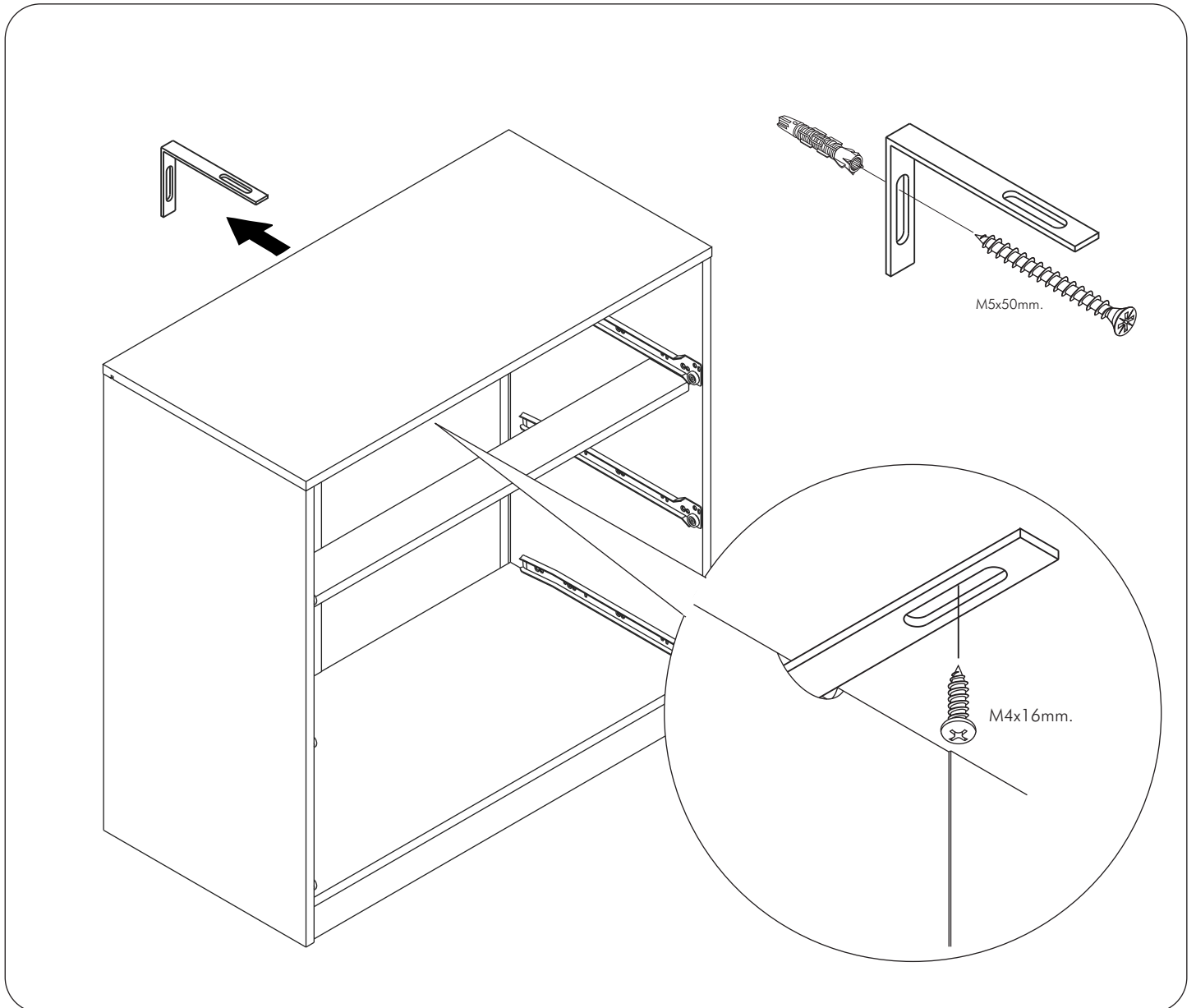
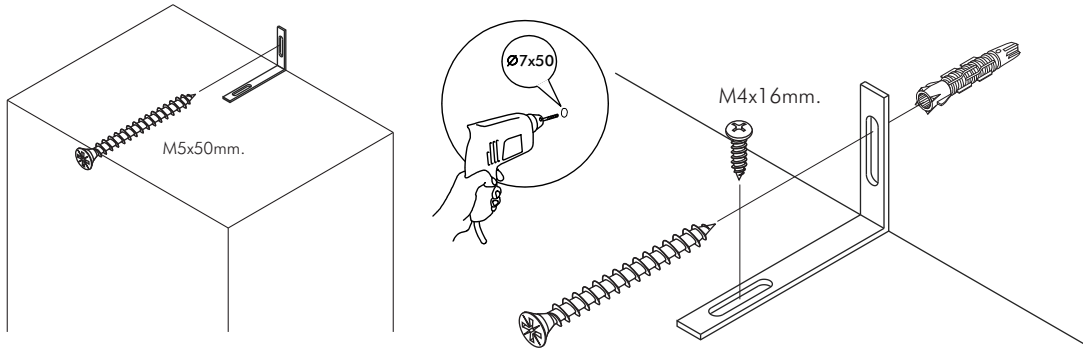
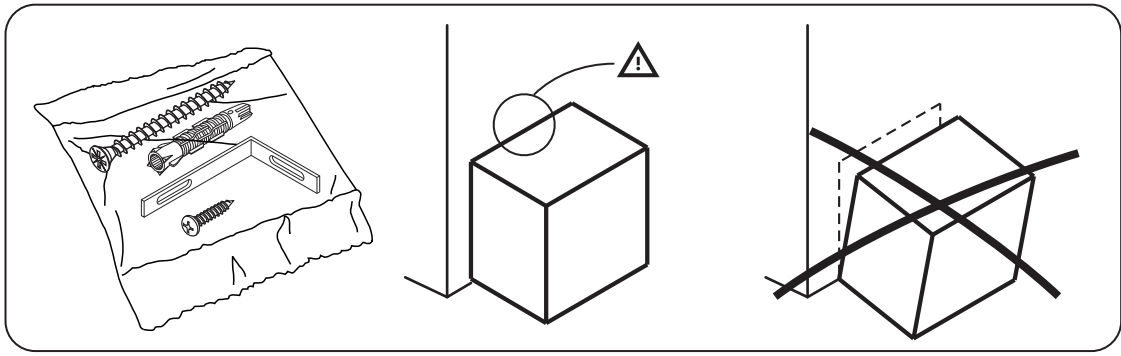


Use these holes



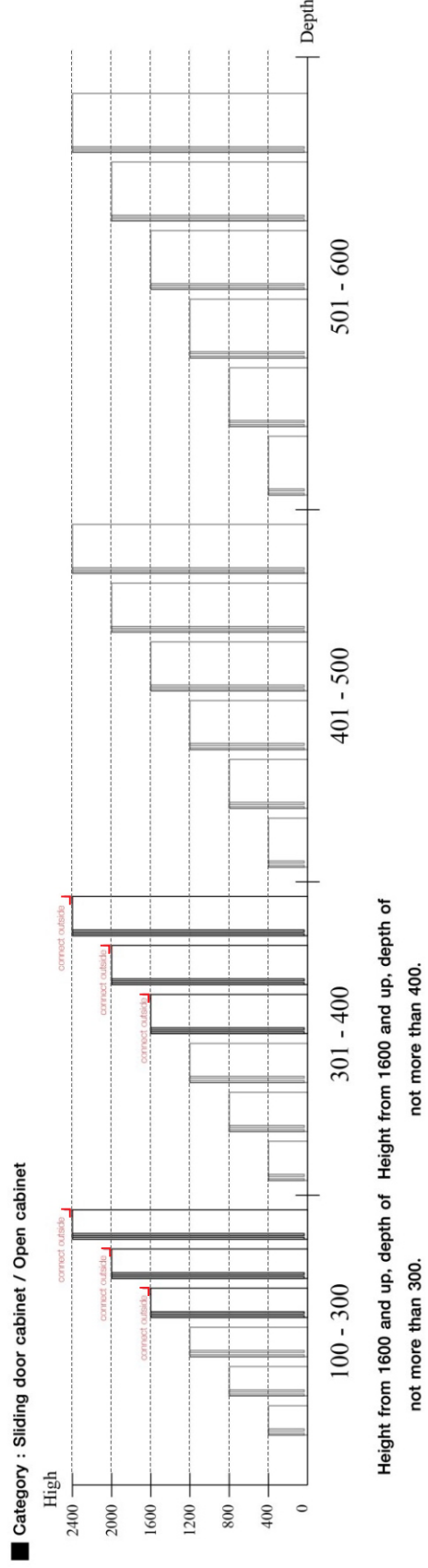
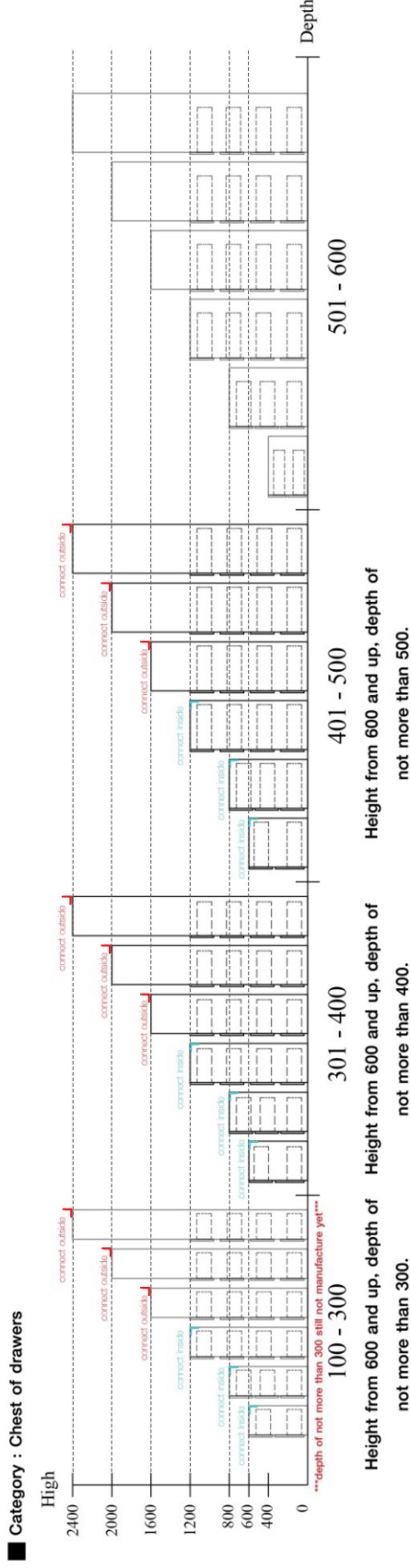
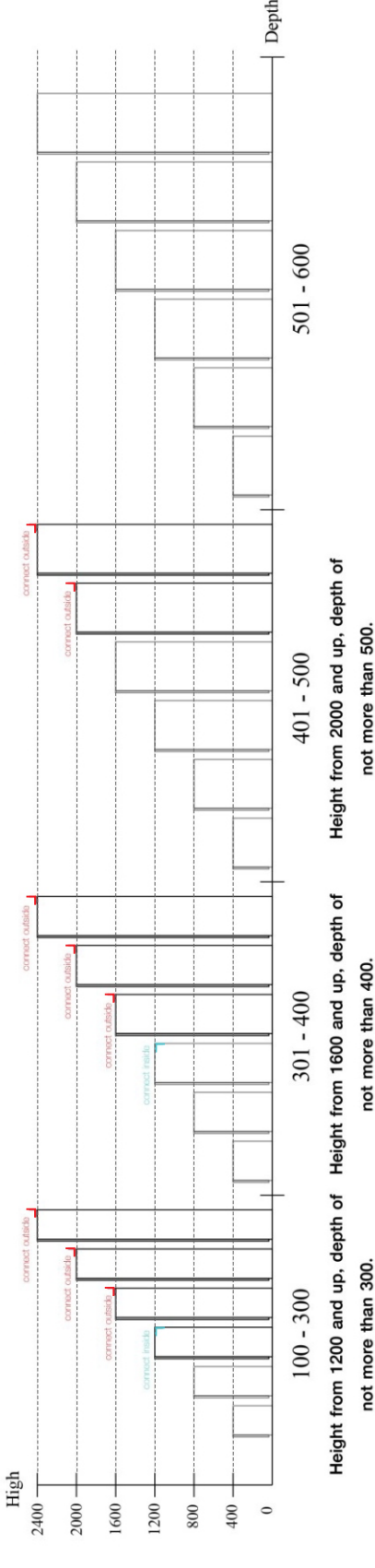
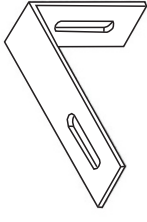
M4x16mm.





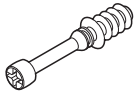
**■ The Standard for identifying which mounted safety fall protection fitting to use** **Note : That children's products must be installed with all anti-falling fittings.**

■ Mounted fall protection fittings



# HARDWARE

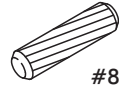
## -BODY SET



**x 30**

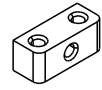


**x 30**

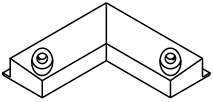


#8x35

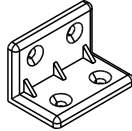
**x 36**



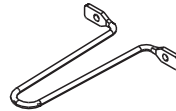
**x 4**



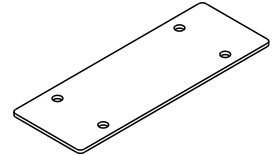
**x 2**



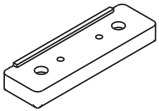
**x 23**



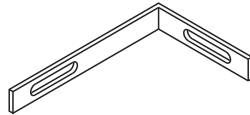
**x 1**



**x 2**



**x 12**

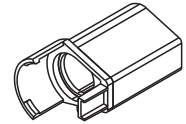


**x 2**

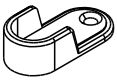


20mm.

**x 2**



**x 6**



**x 4**



**x 2**

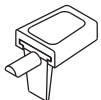


5x18 mm.

**x 8**



**x 6**



**x 4**



11mm.

**x 4**



M3.5x13mm.

**x 8**



M4x13mm.

**x 8**



M4x16mm.

**x 122**



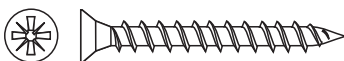
M3.5x20mm.

**x 4**



M4x25mm.

**x 12**



M4x35mm.

**x 4**



M4x50mm.

**x 11**



M5x50mm.

**x 2**



M4x13mm.

**x 4**



M4x16mm.

**x 39**

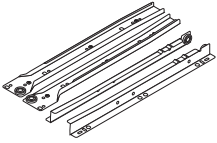


M4x30mm.

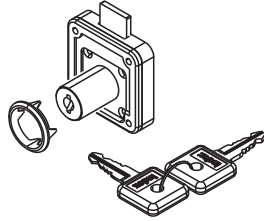
**x 6**

# HARDWARE

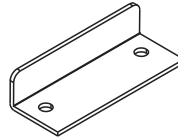
## -DRAWER SET



**x 1 Set**



**x 1**



**x 1**



4x1/2"

**x 2**



M3.5x13mm.

**x 14**



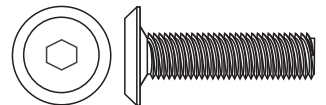
M3.5x20mm.

**x 4**



M4x40mm.

**x 10**

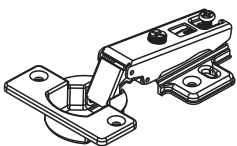


M6x23mm.

**x 2**

# HARDWARE

## -DOOR SET



**x 16**



M4x16mm.

**x 96**



**x 8**

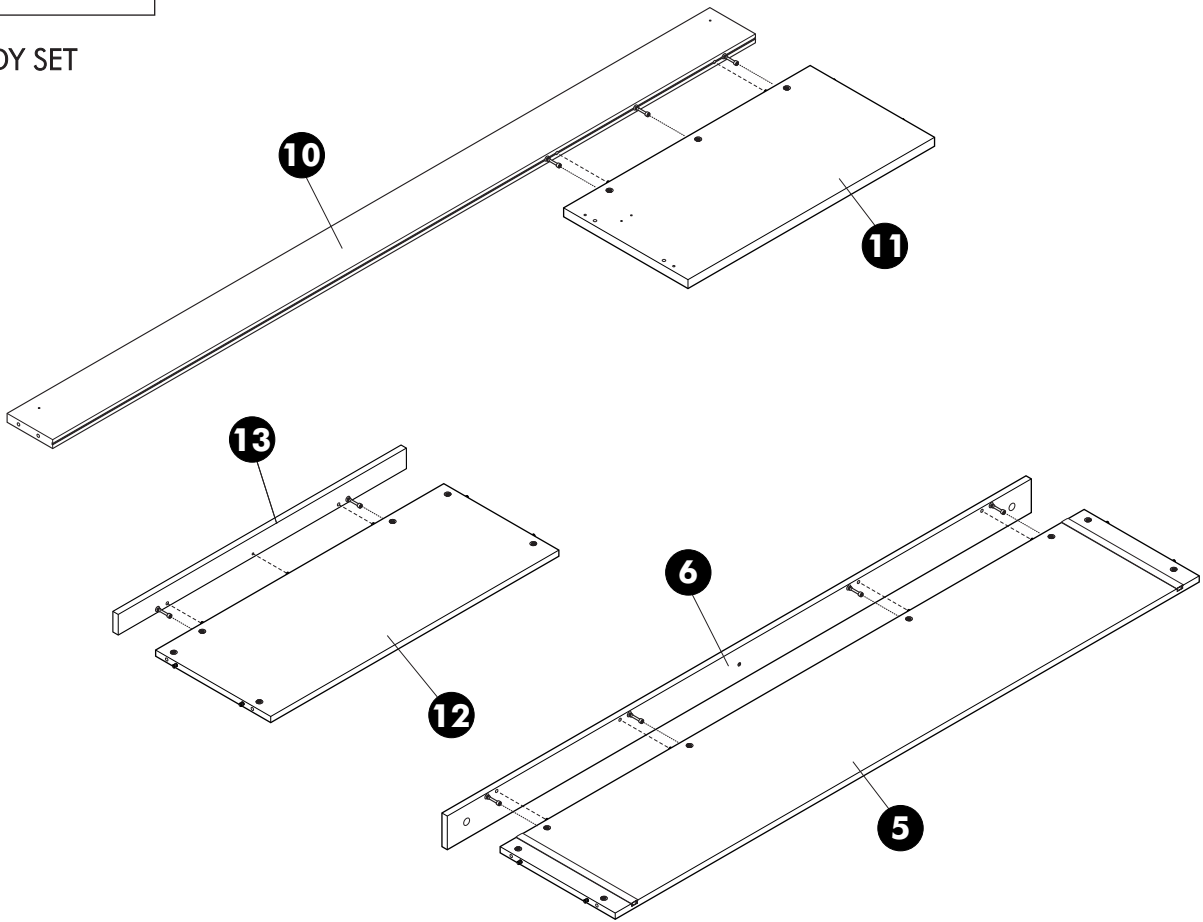


**x 1**

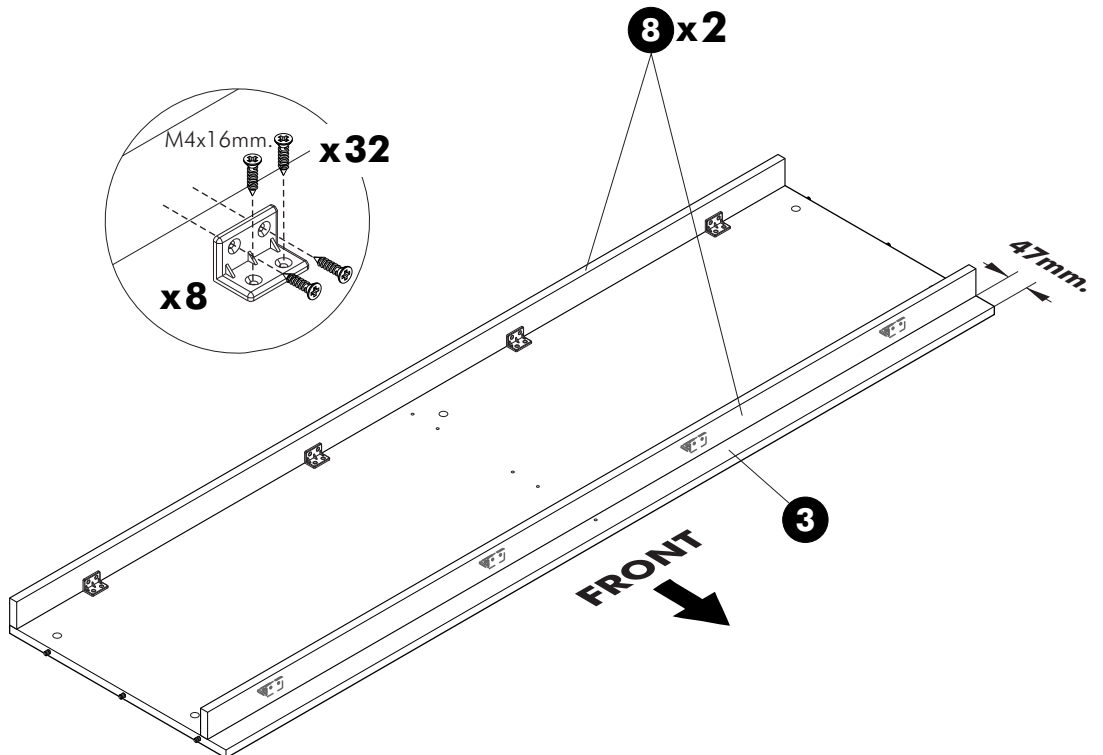
# ASSEMBLY

-BODY SET

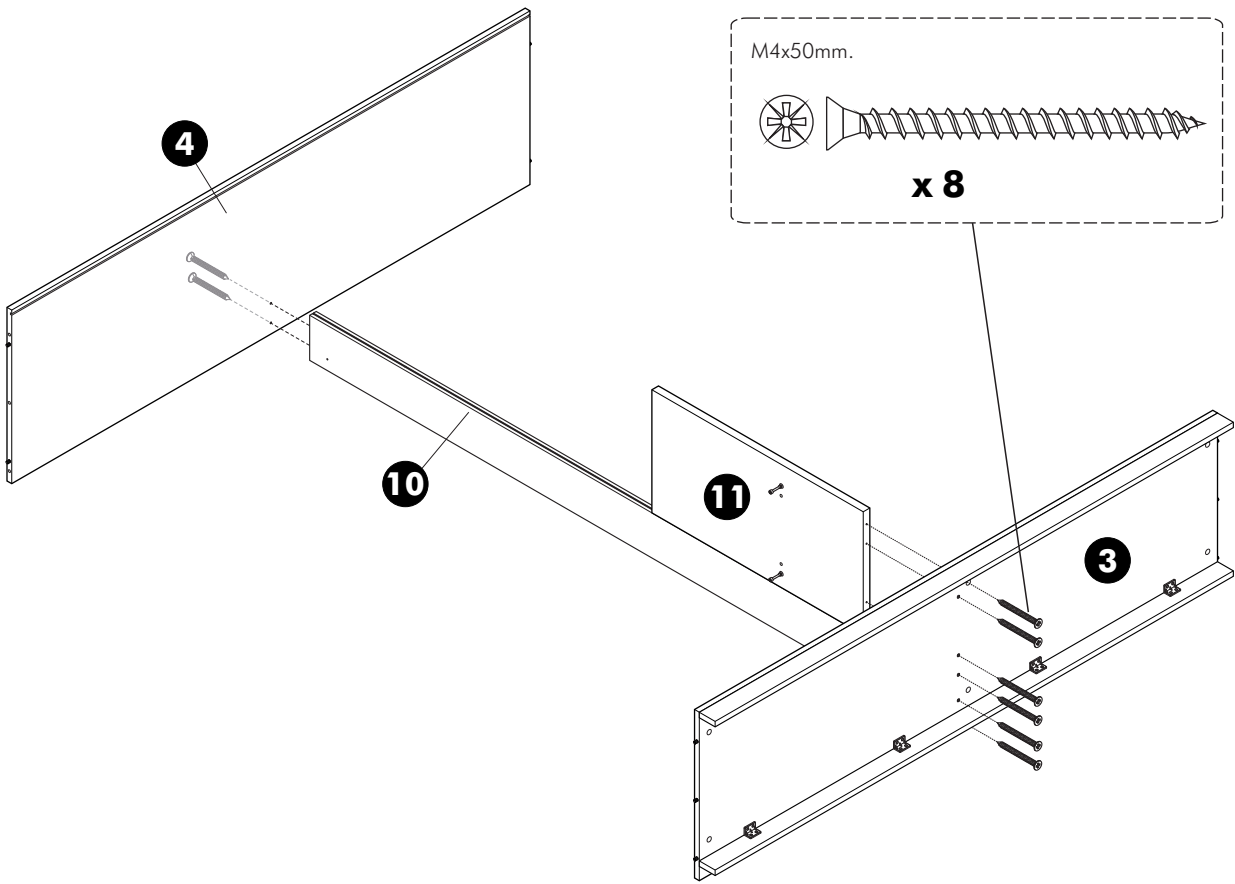
1.



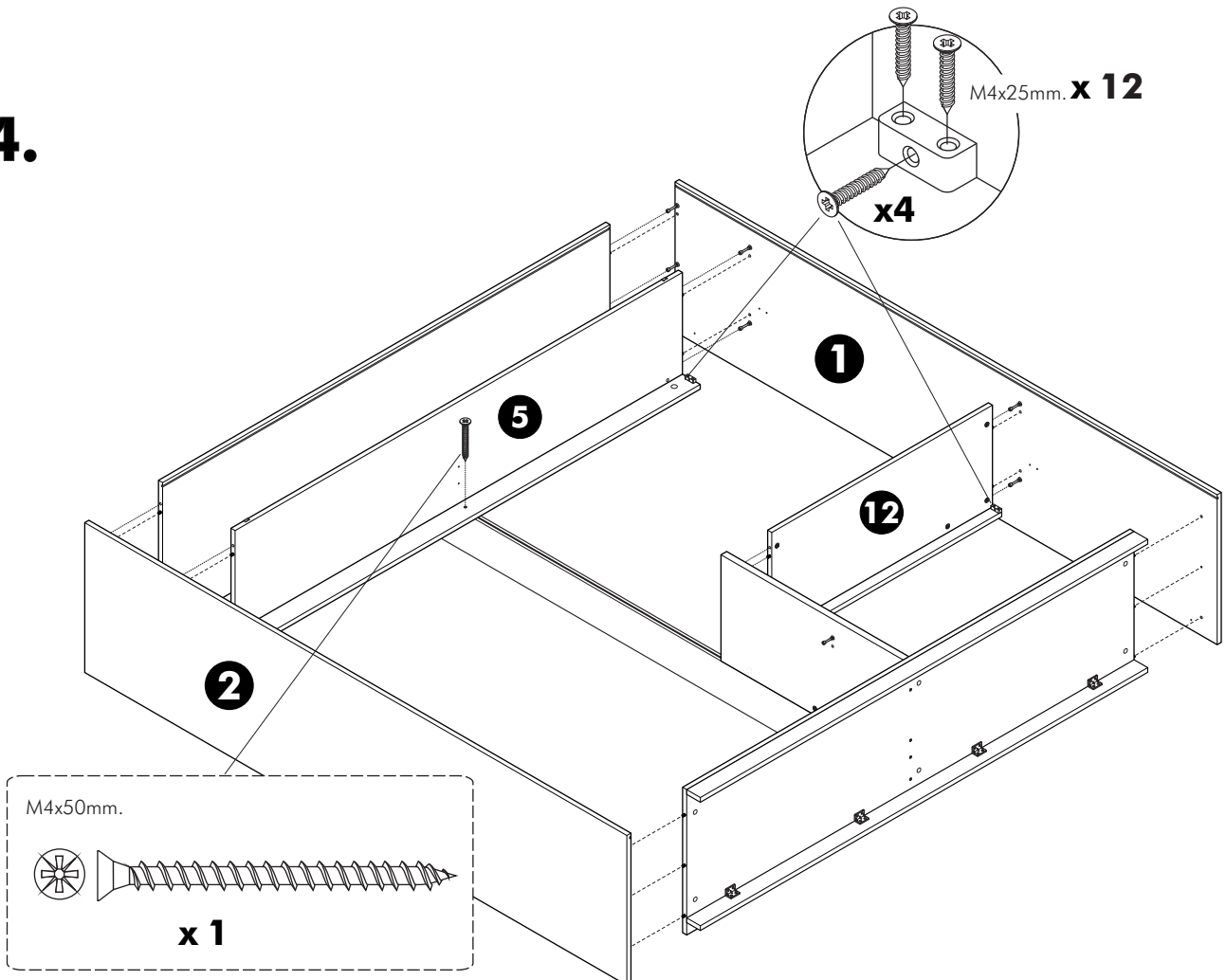
2.



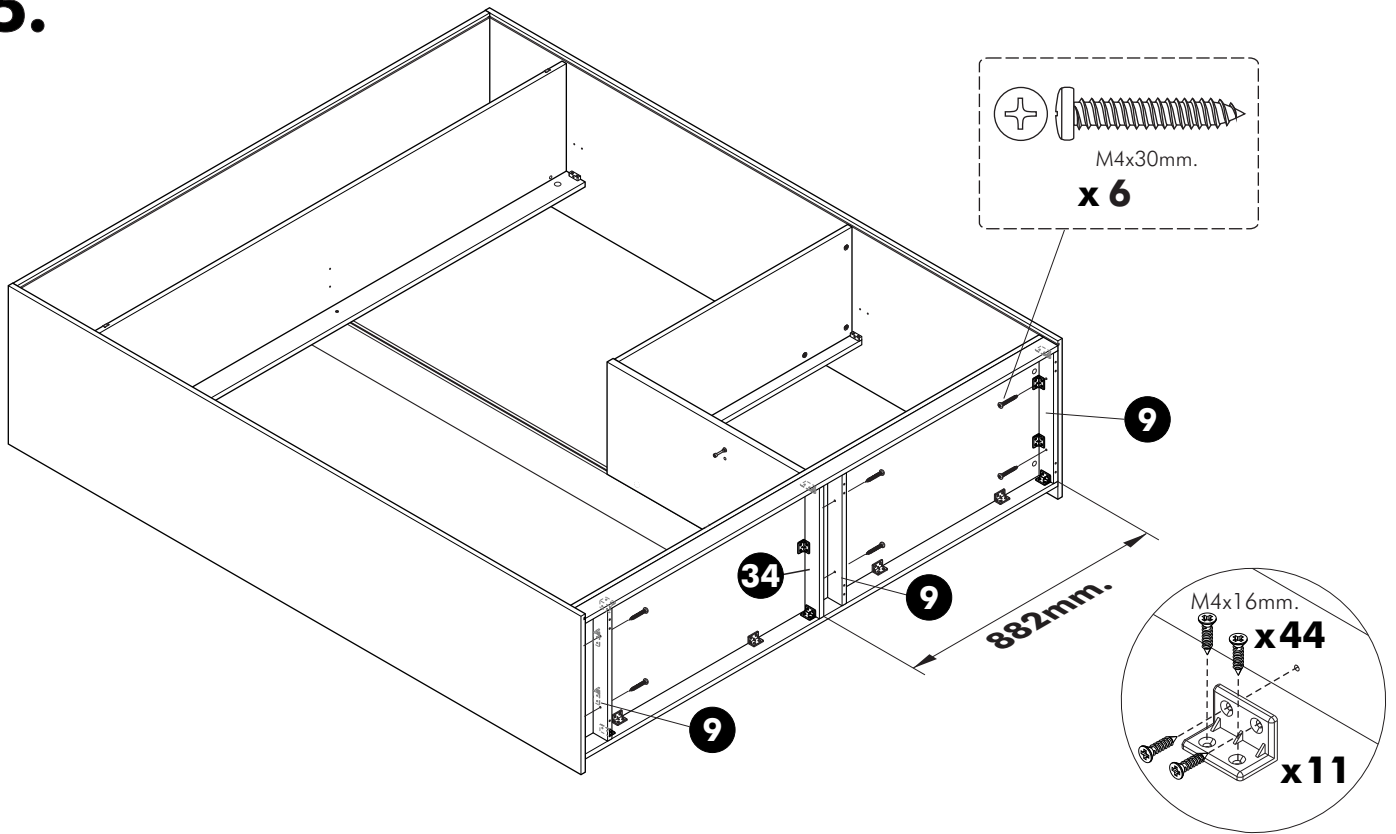
**3.**



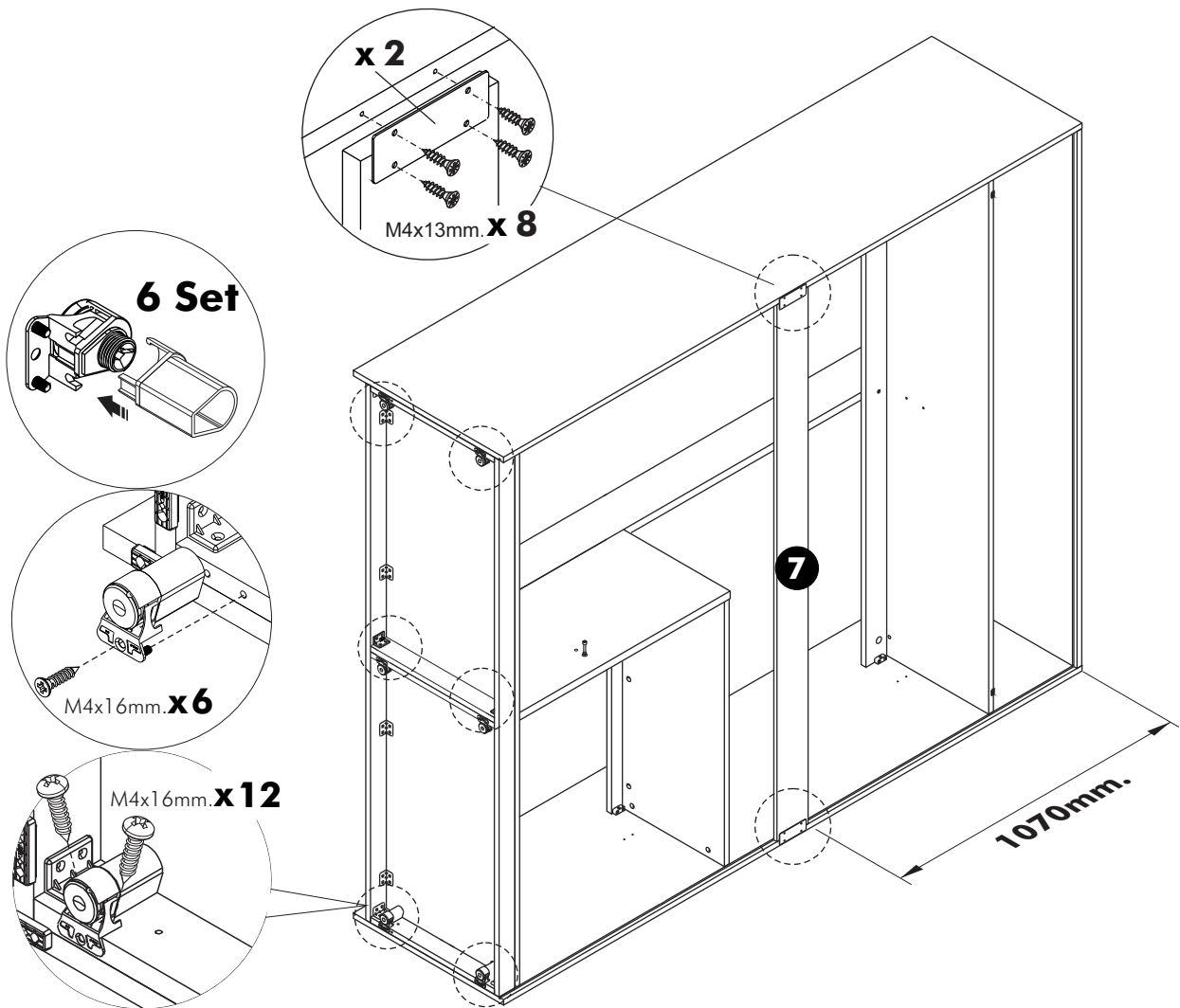
**4.**



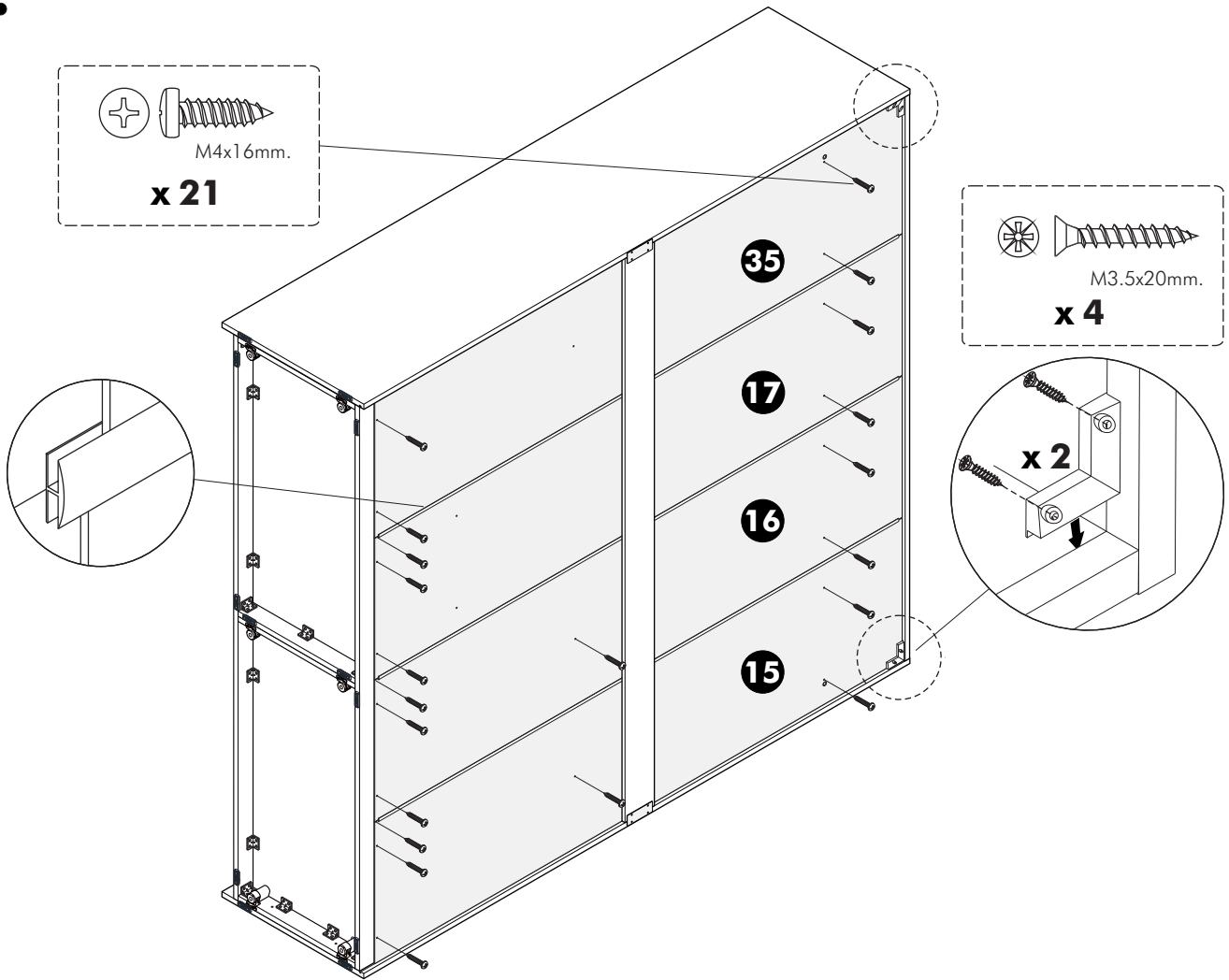
5.



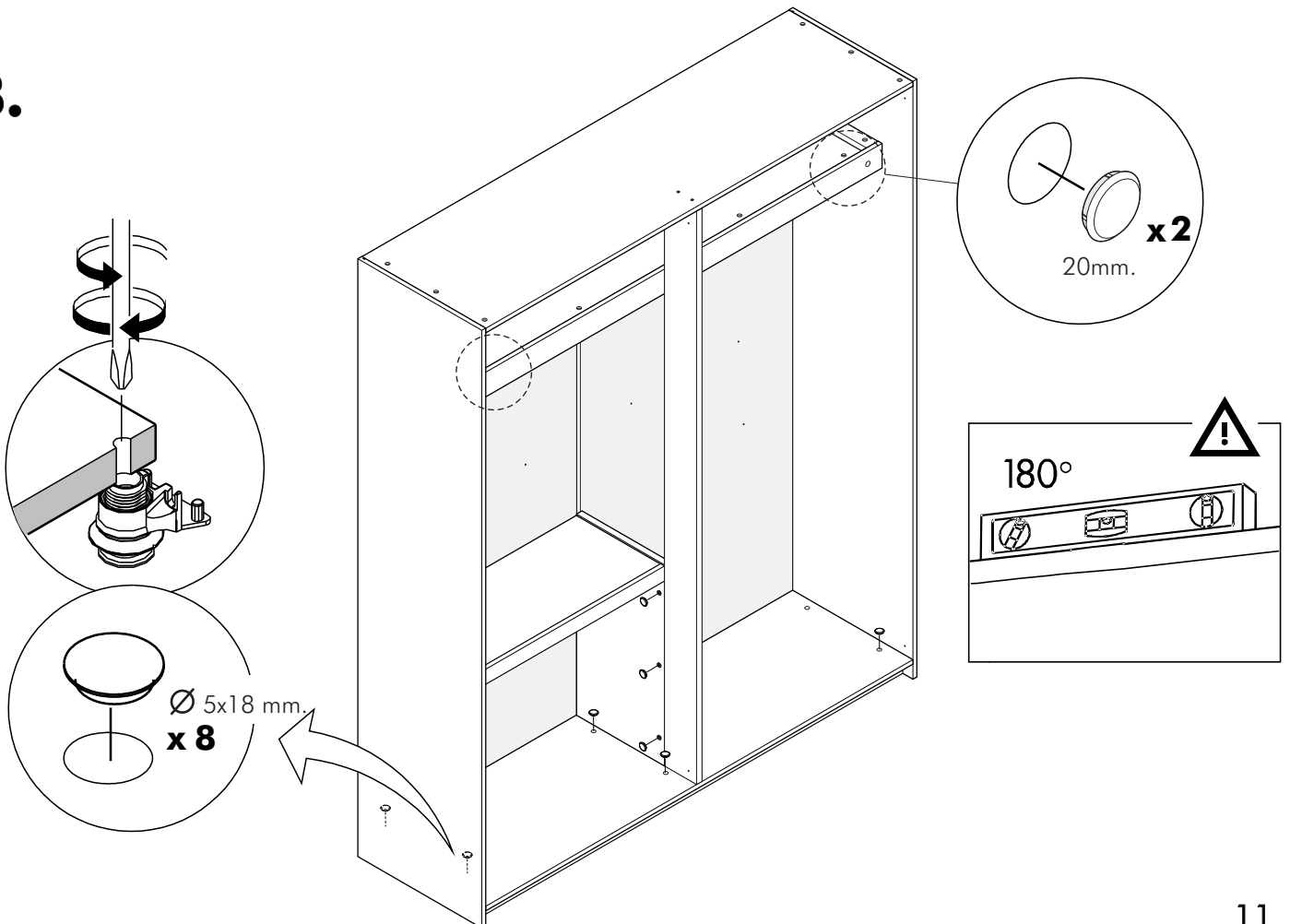
6.



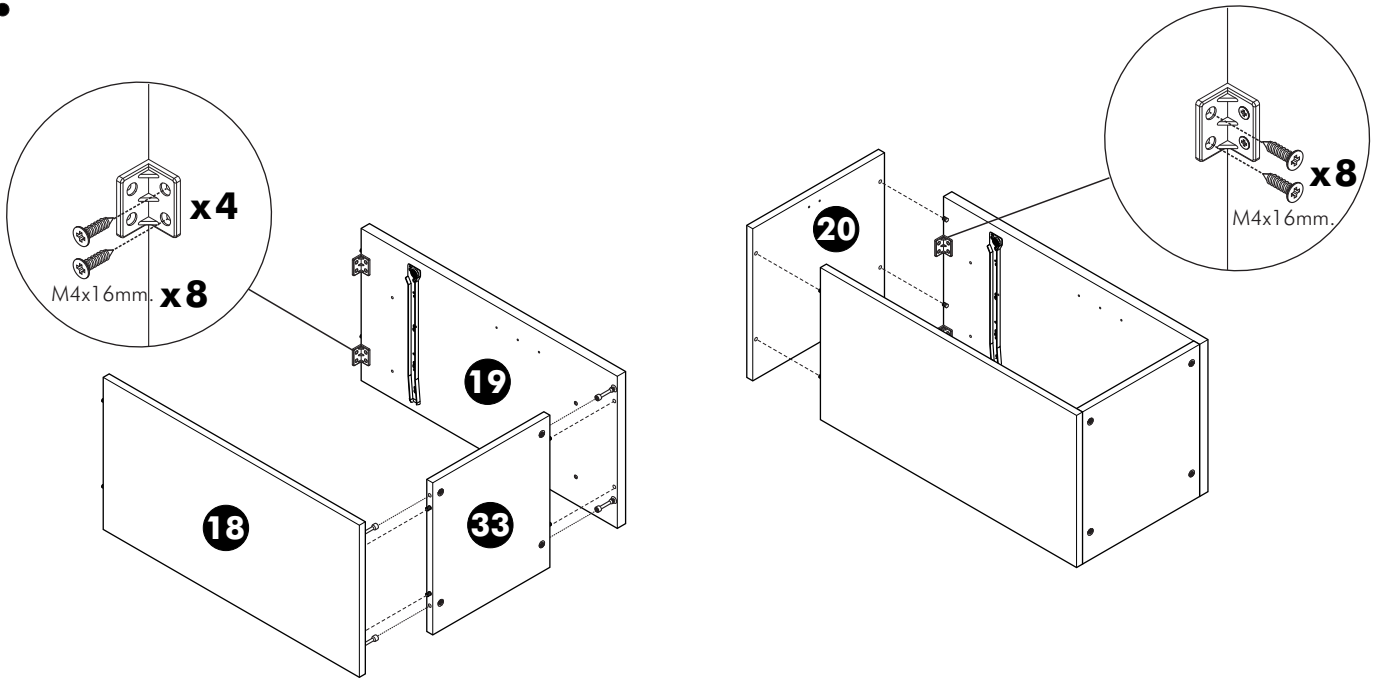
**7.**



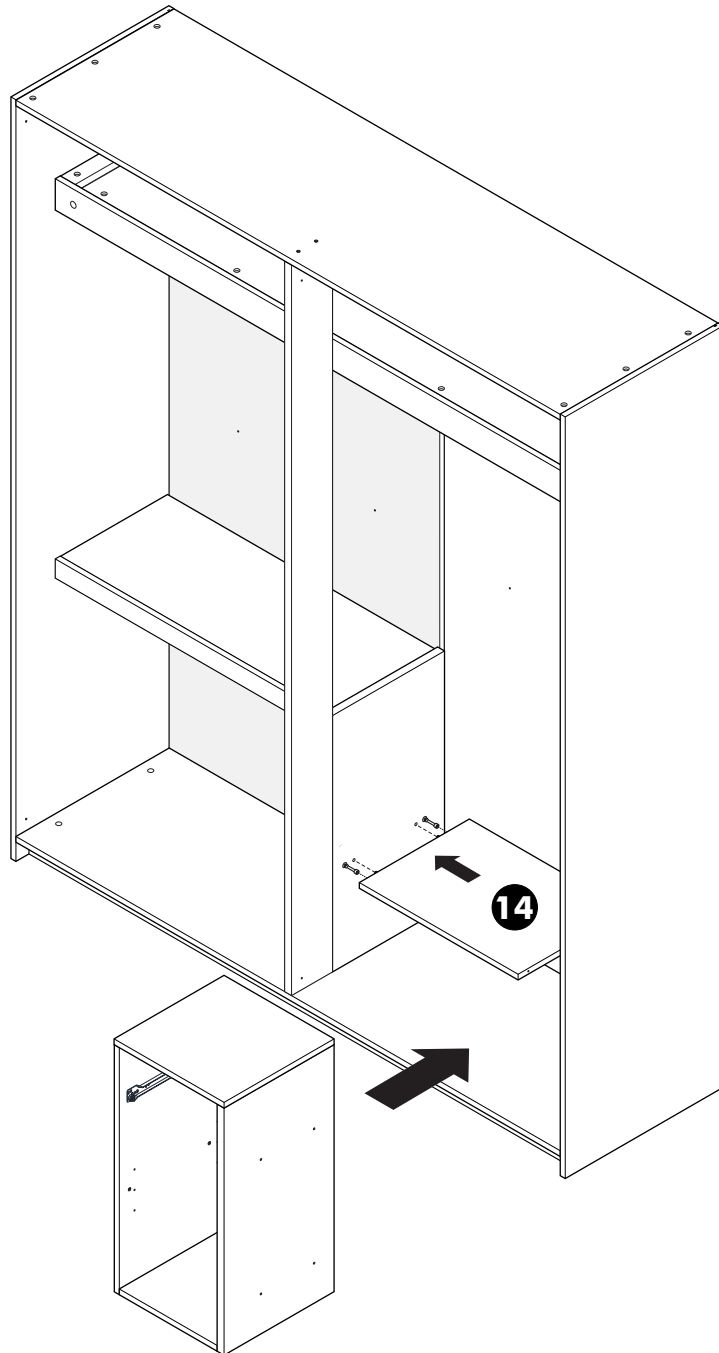
**8.**



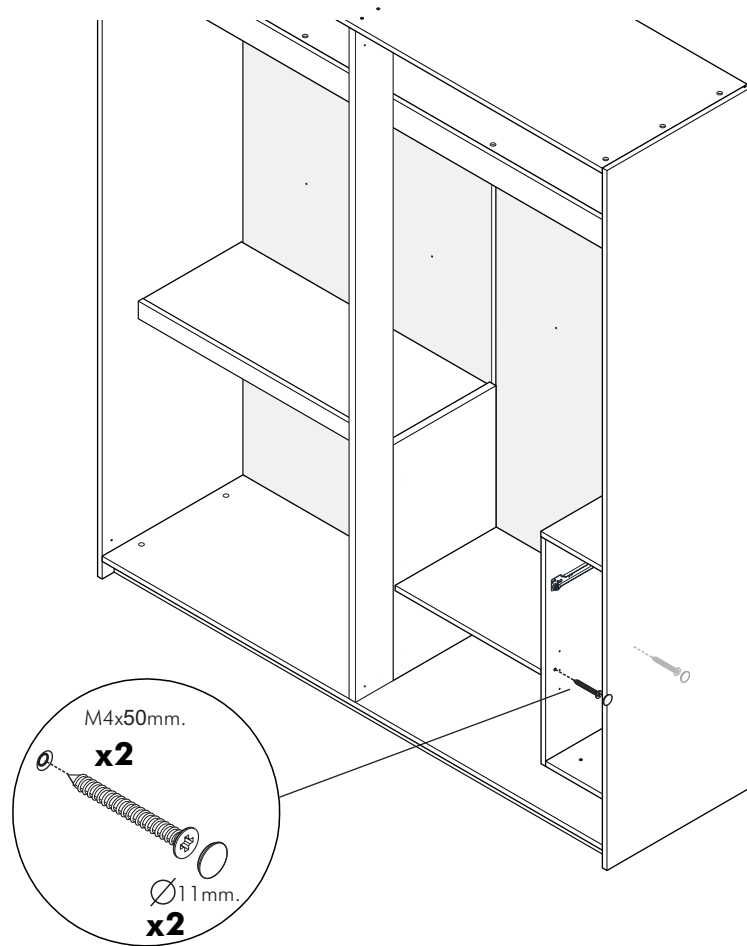
**9.**



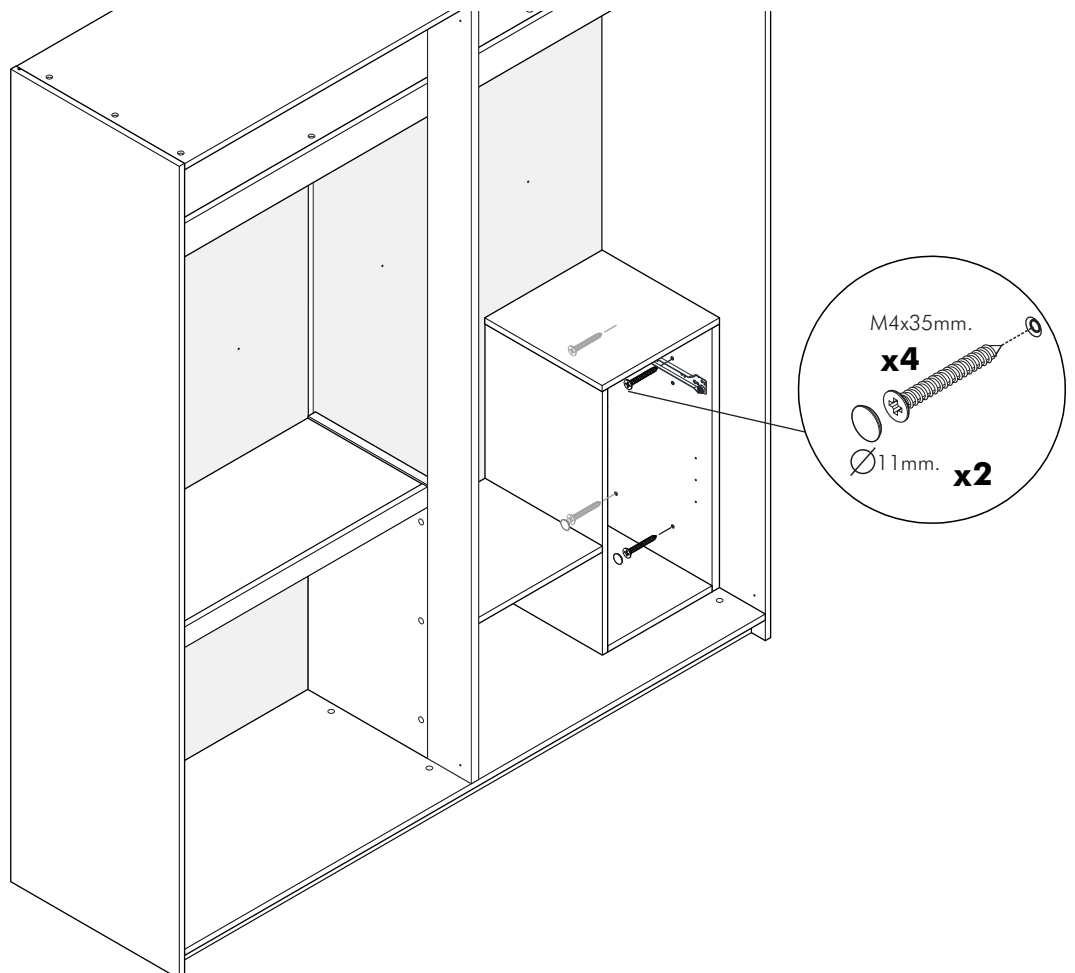
**10.**



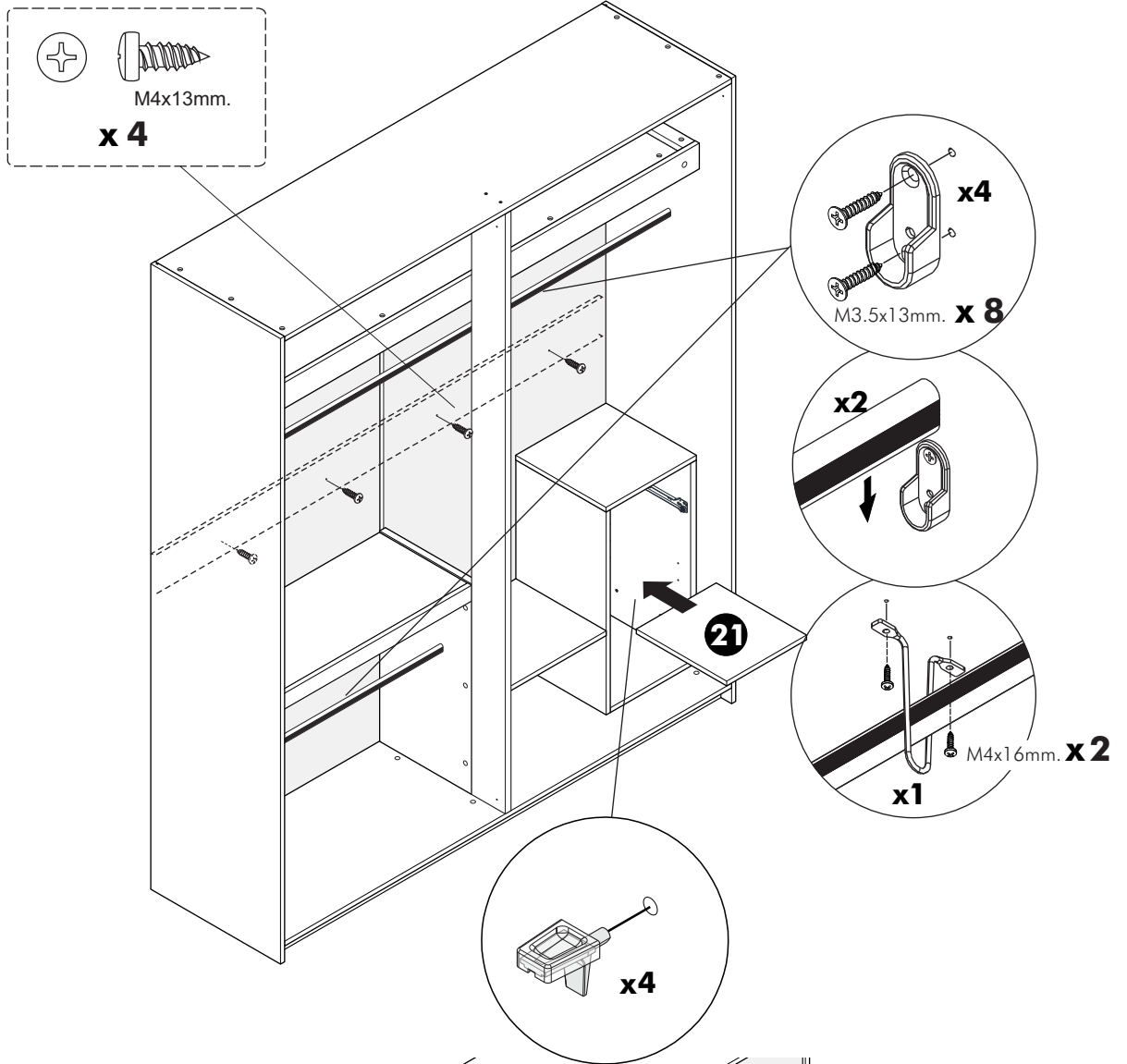
**11.**



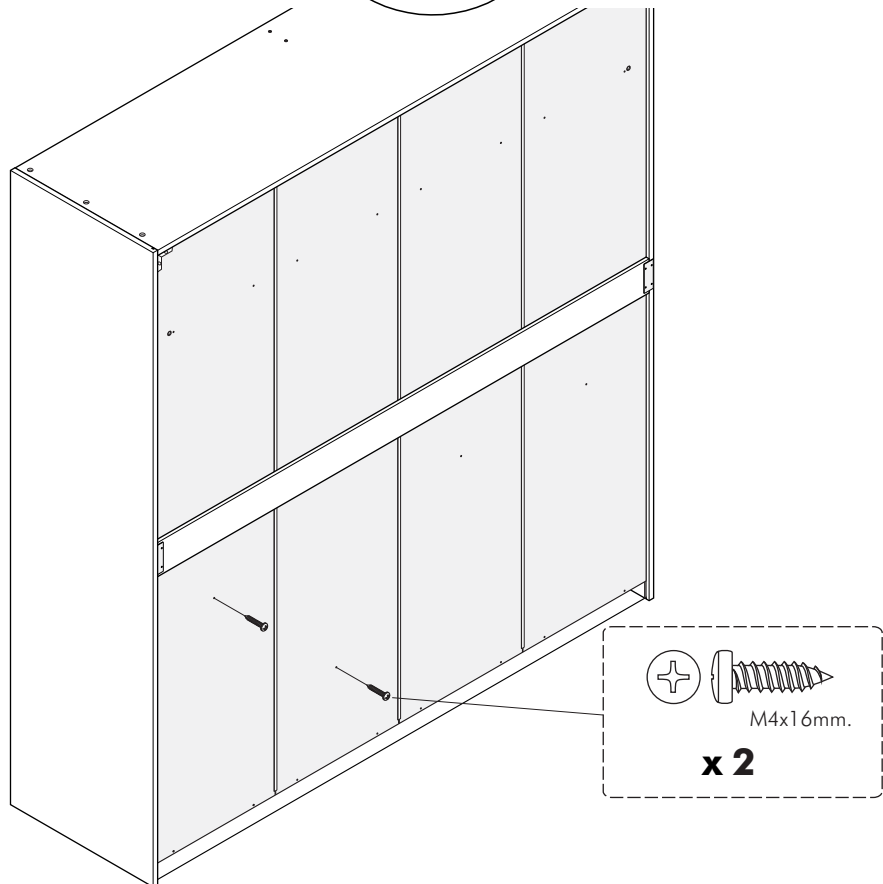
**12.**



**13.**



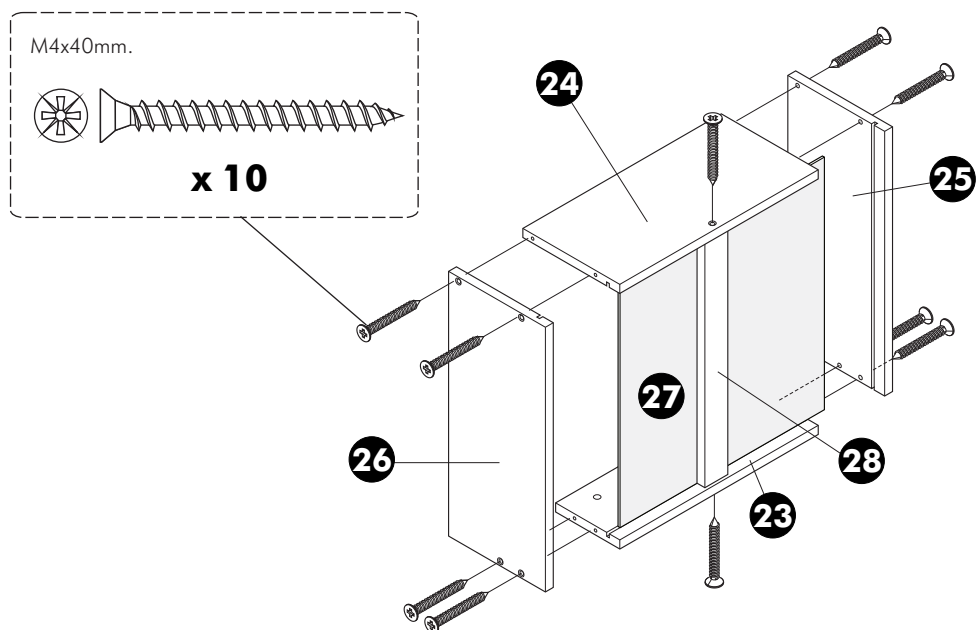
**14.**



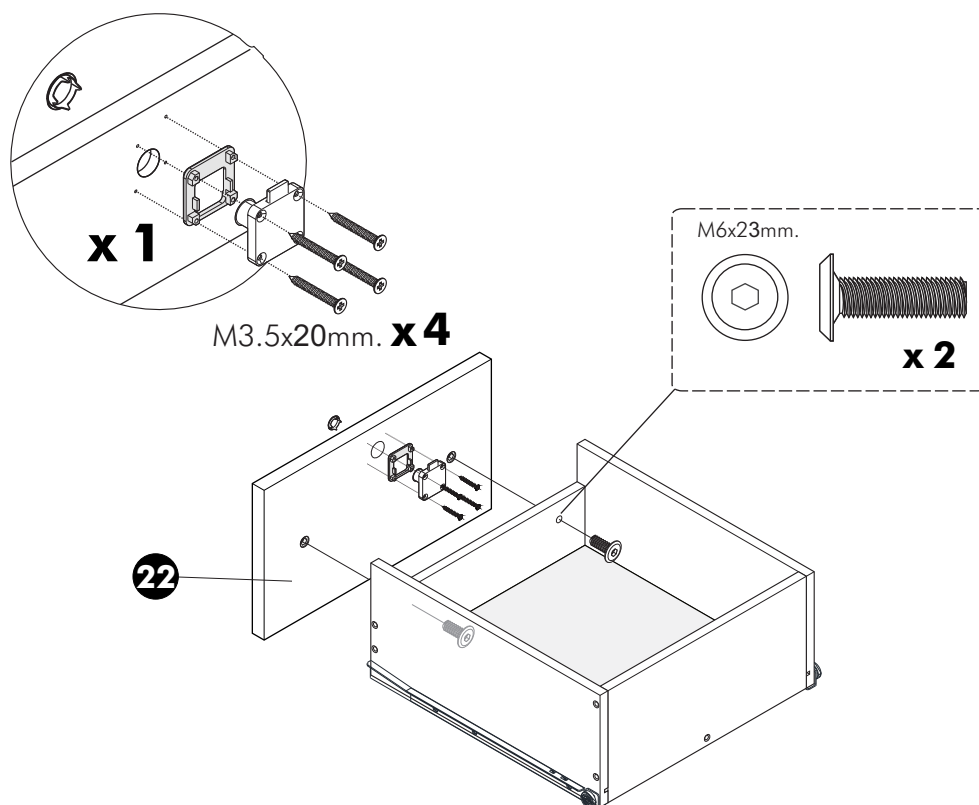
# ASSEMBLY

-DRAWER SET

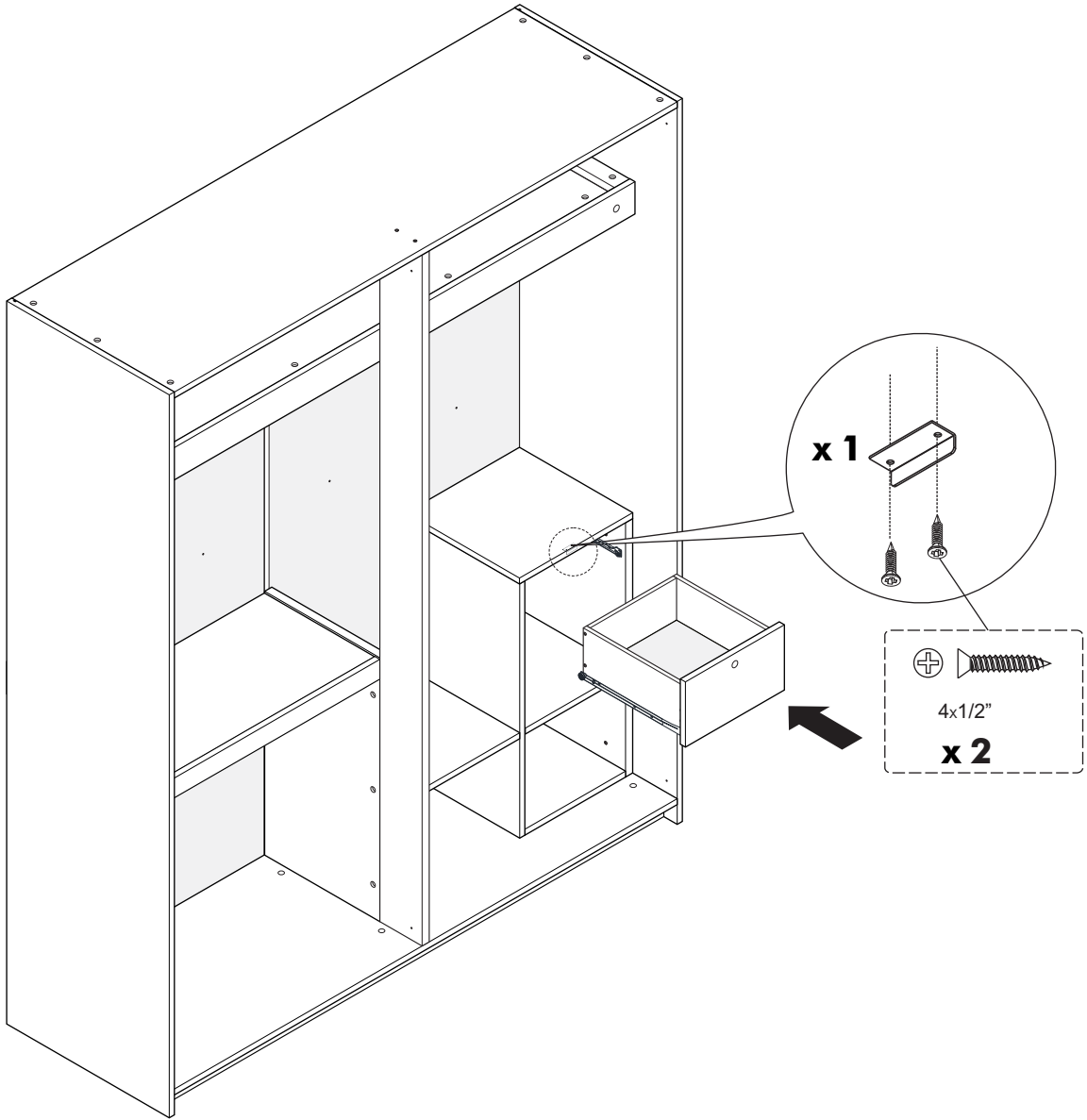
## 1.



## 2.



**3.**



# ASSEMBLY

-DOOR SET

## 1.

