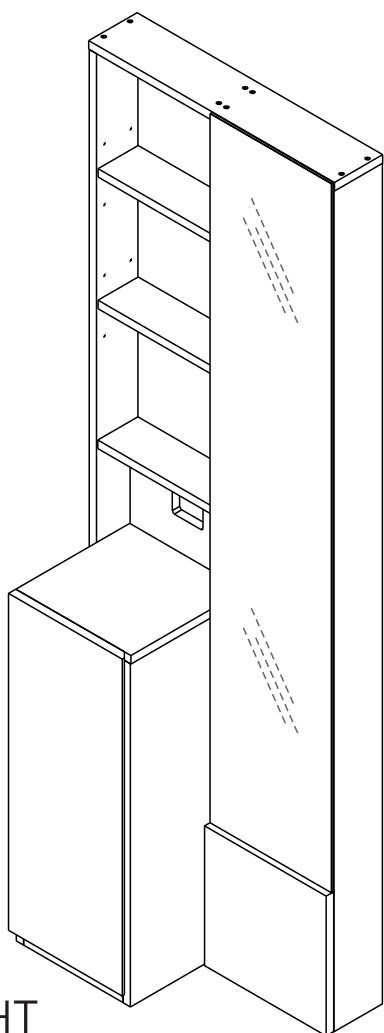
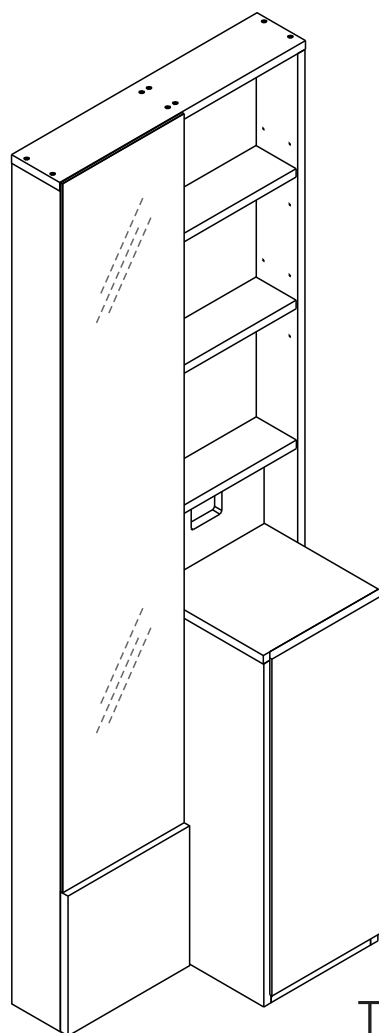


HAZE

Dressing table



TYPE:RIGHT



TYPE:LEFT

CONNECT SYSTEM

1

3

2

WHEN FITTING CAMS
 ENSURE STARTING POSITION IS CORRECT
 BEFORE YOU INSERT CONNECTING BOLT
 TURN CLOCKWISE UNTIL SECURE

| | | | | |
|----------------|--|--------------|--|----------|
| ✓ | | | | ✗ |
| ↑ | | | | |
| CORRECT | | WRONG | | |

M4x16mm.

i

40mm.

☹️

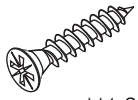
☒

EQ

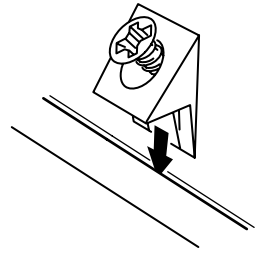
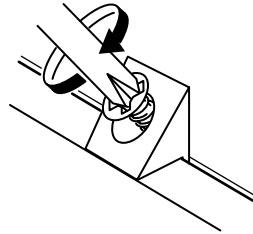
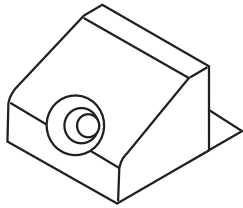
☺️

☑️

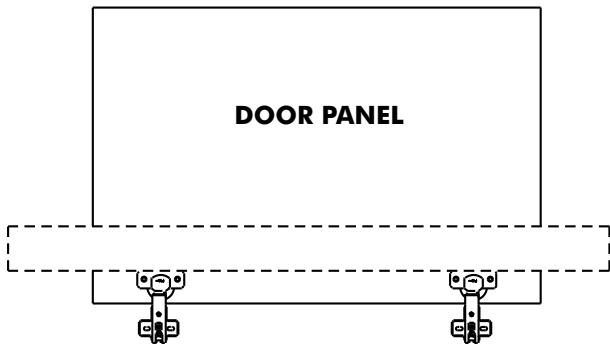
M4x16mm.



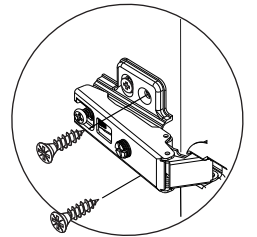
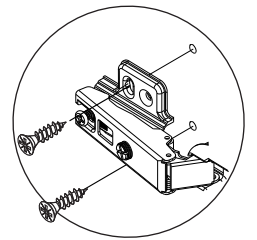
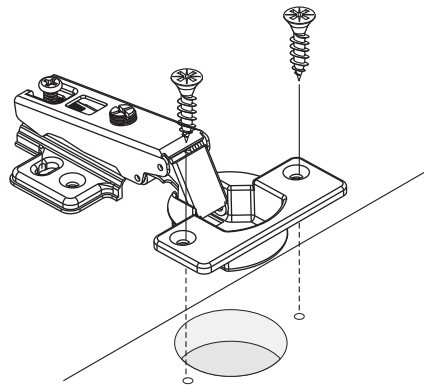
M4x20mm.

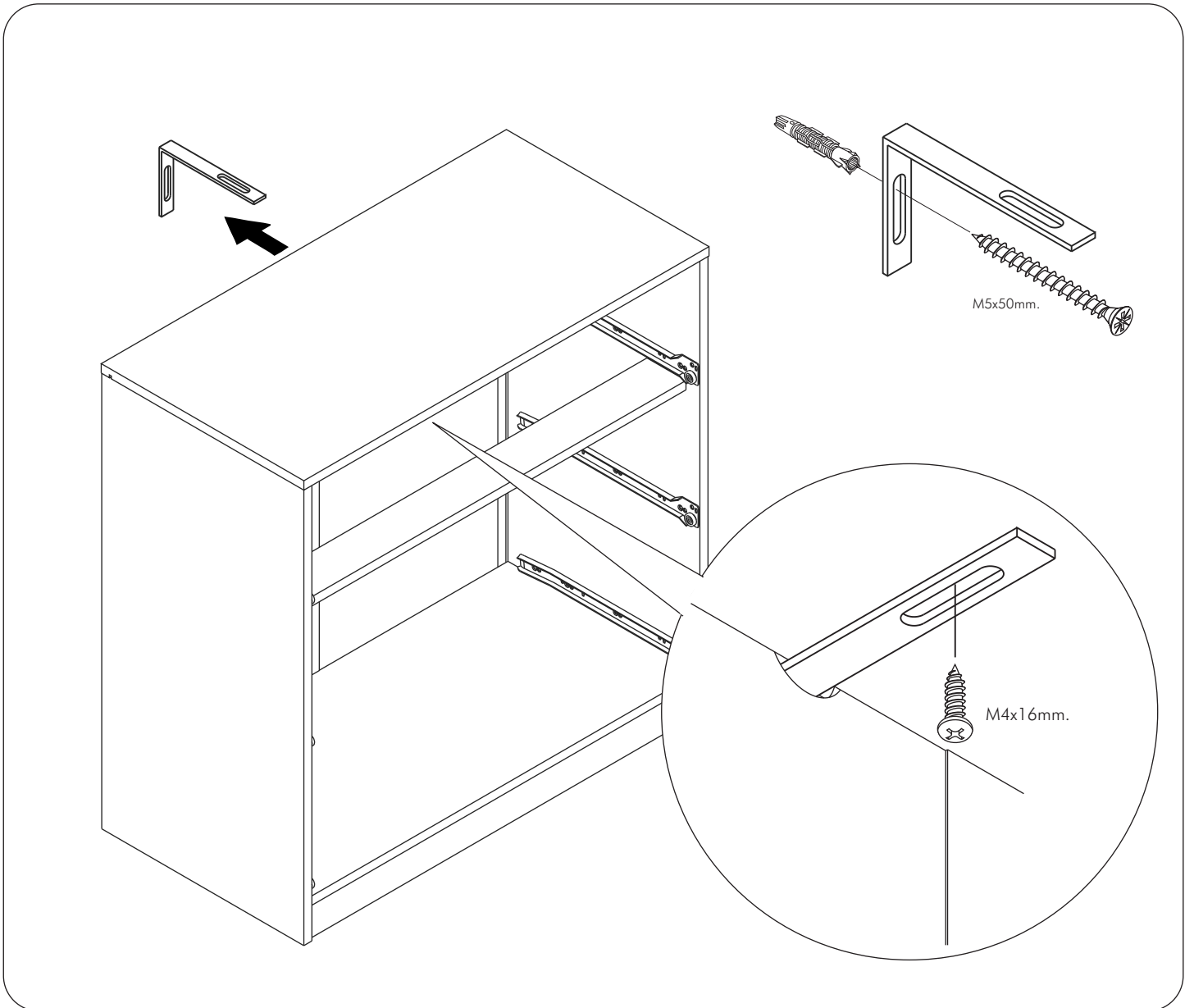
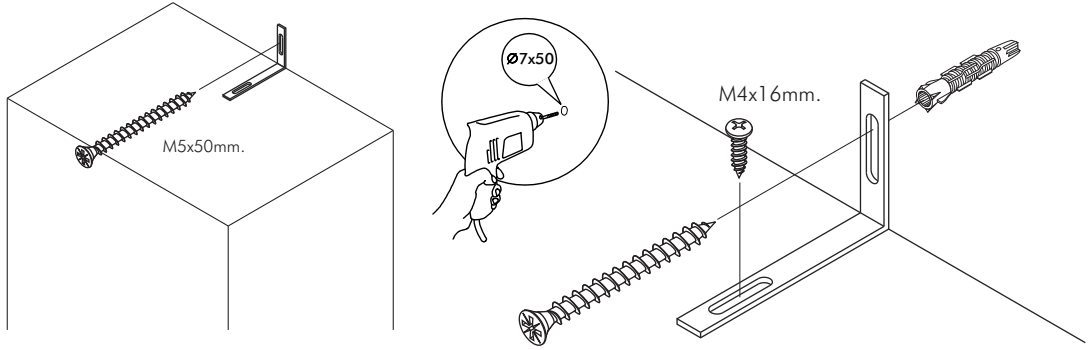
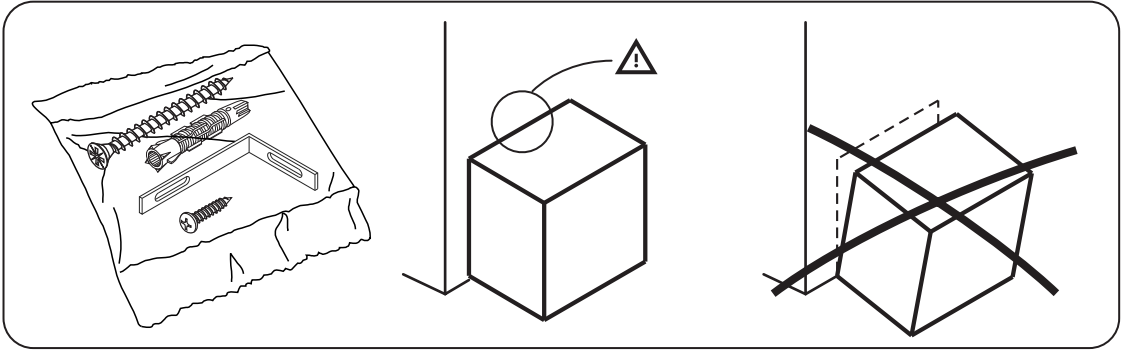


M4x16mm.



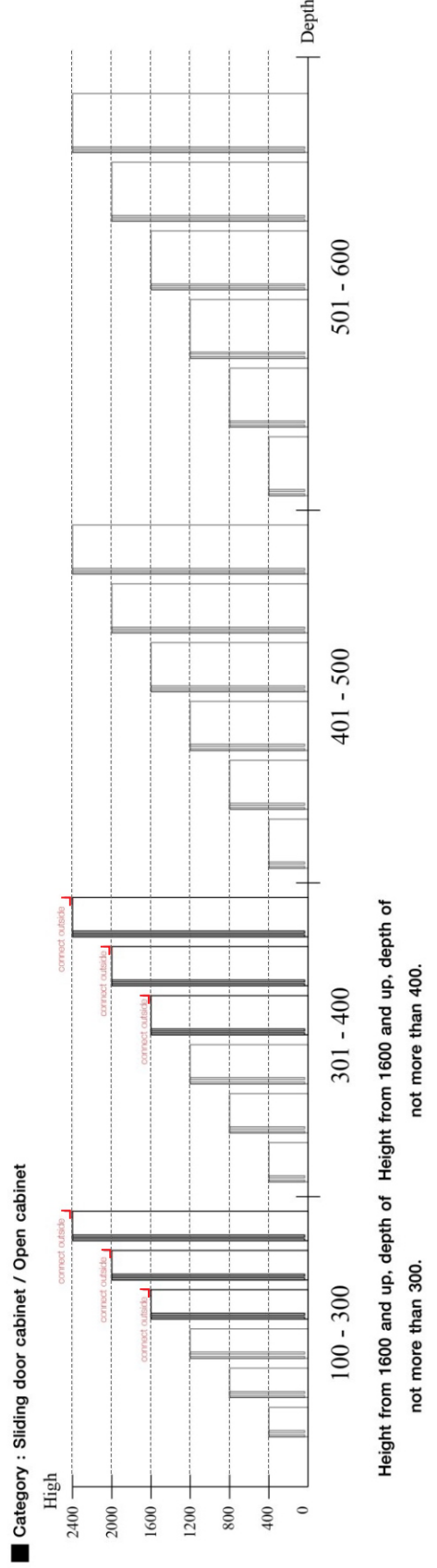
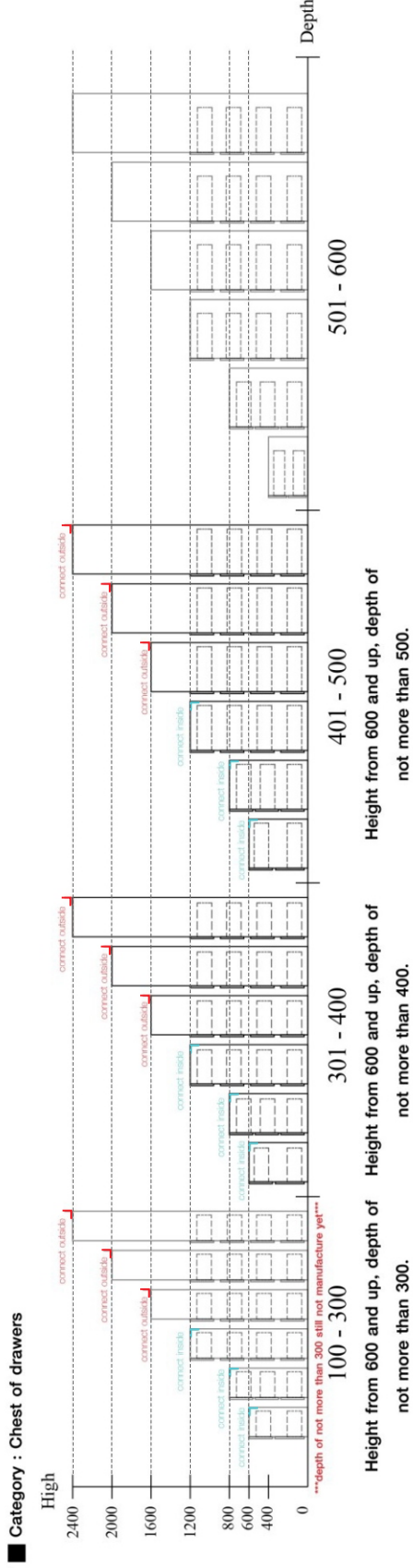
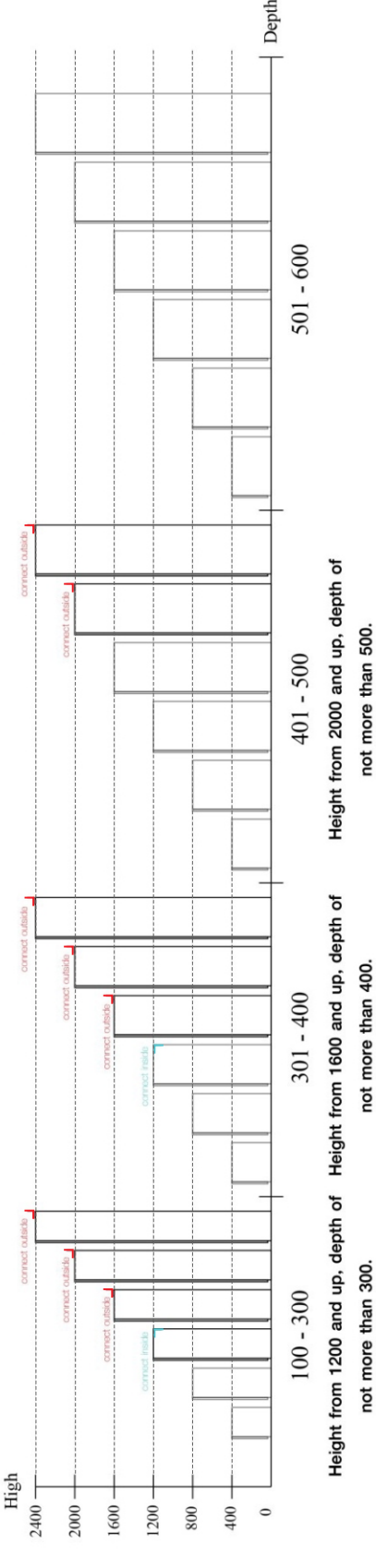
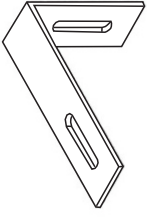
DOOR PANEL





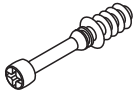
■ The Standard for identifying which mounted safety fall protection fitting to use **Note : That children's products must be installed with all anti-falling fittings.**

■ Mounted fall protection fittings



HARDWARE

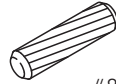
-BODY SET



x 6

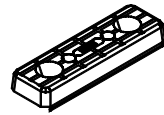


x 6



#8x35

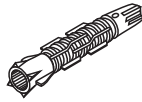
x 16



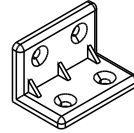
x 13



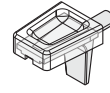
x 8



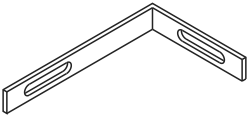
x 1



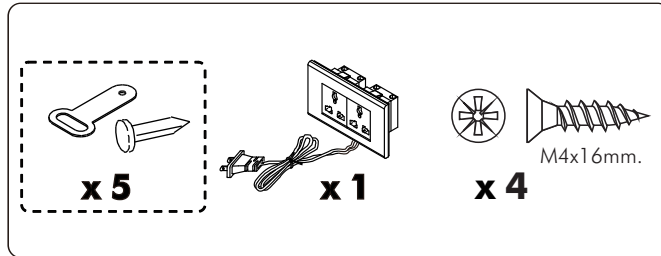
x 23



x 16



x 1



x 5

x 1

x 4

M4x16mm.



M4x16mm.

x 118



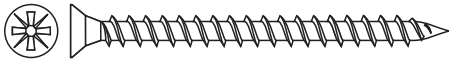
M3.5x20mm.

x 8



M4x30mm.

x 10



M4x50mm.

x 6



M5x50mm.

x 1

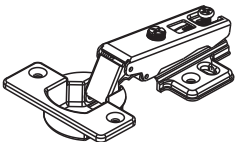


M4x16mm.

x 5

HARDWARE

-DOOR SET



x 2



M4x16mm.

x 12

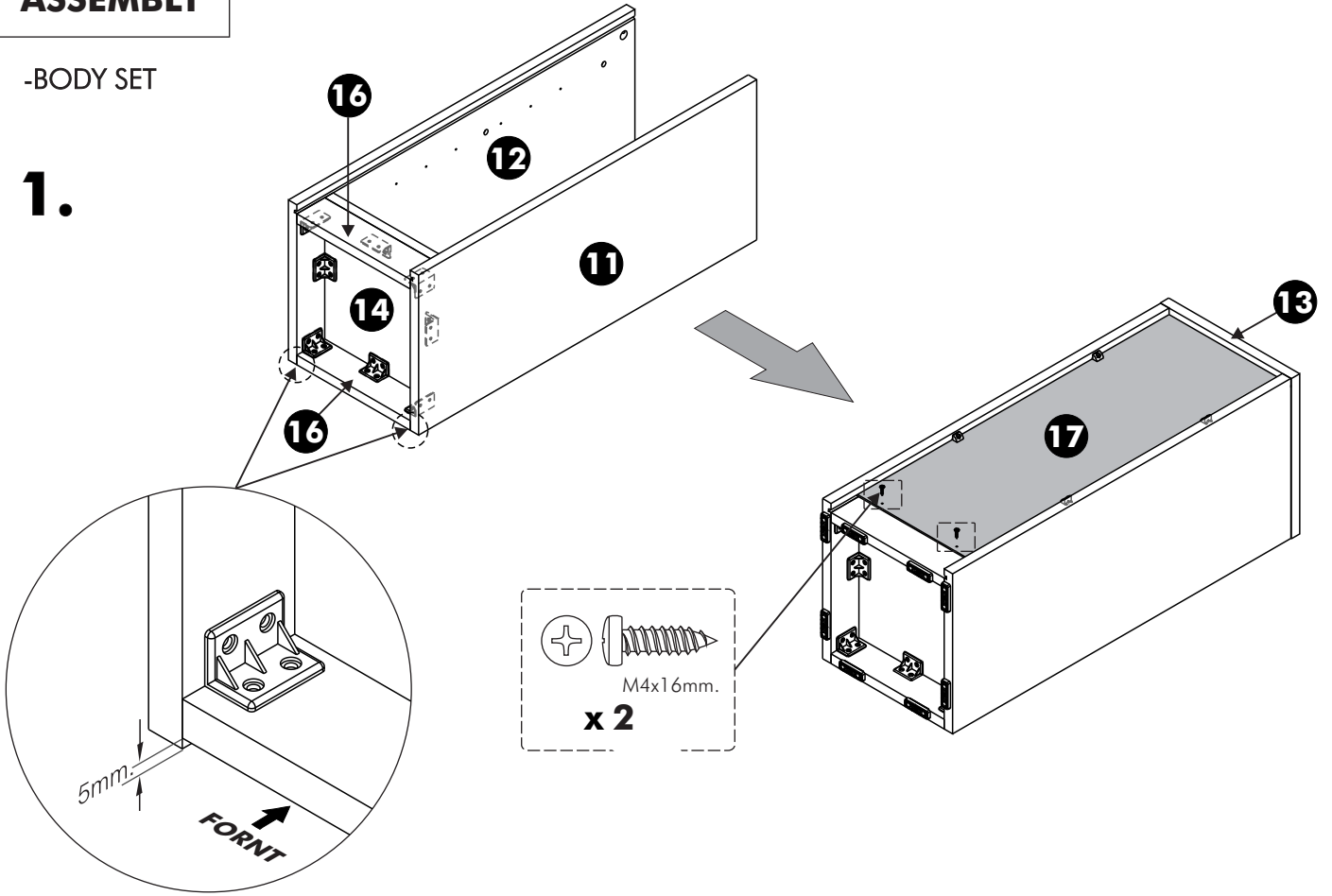


x 2

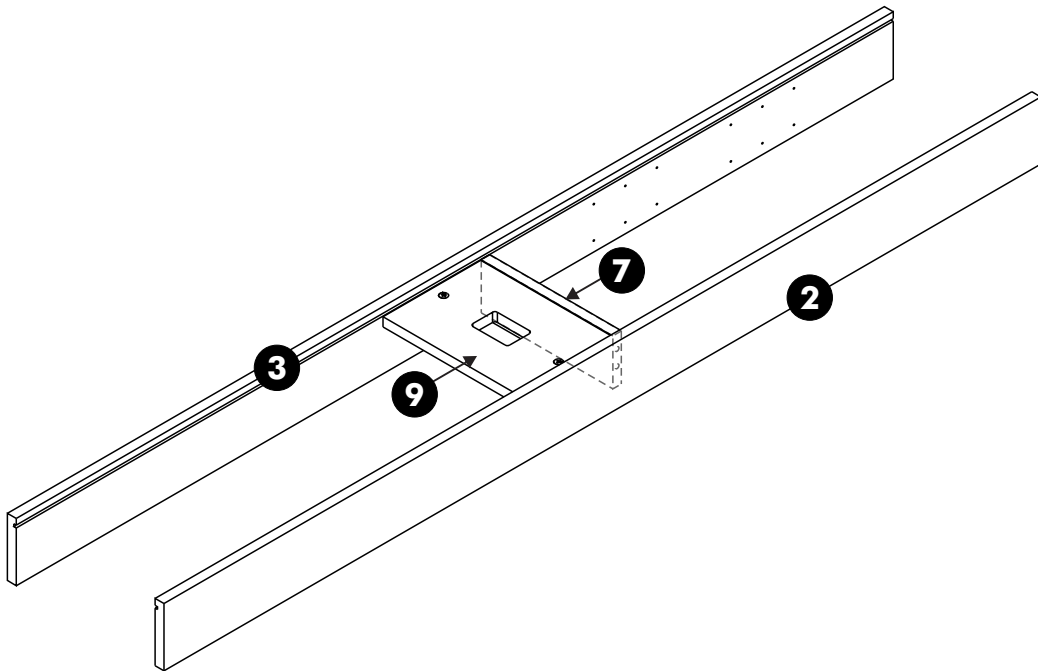
ASSEMBLY

-BODY SET

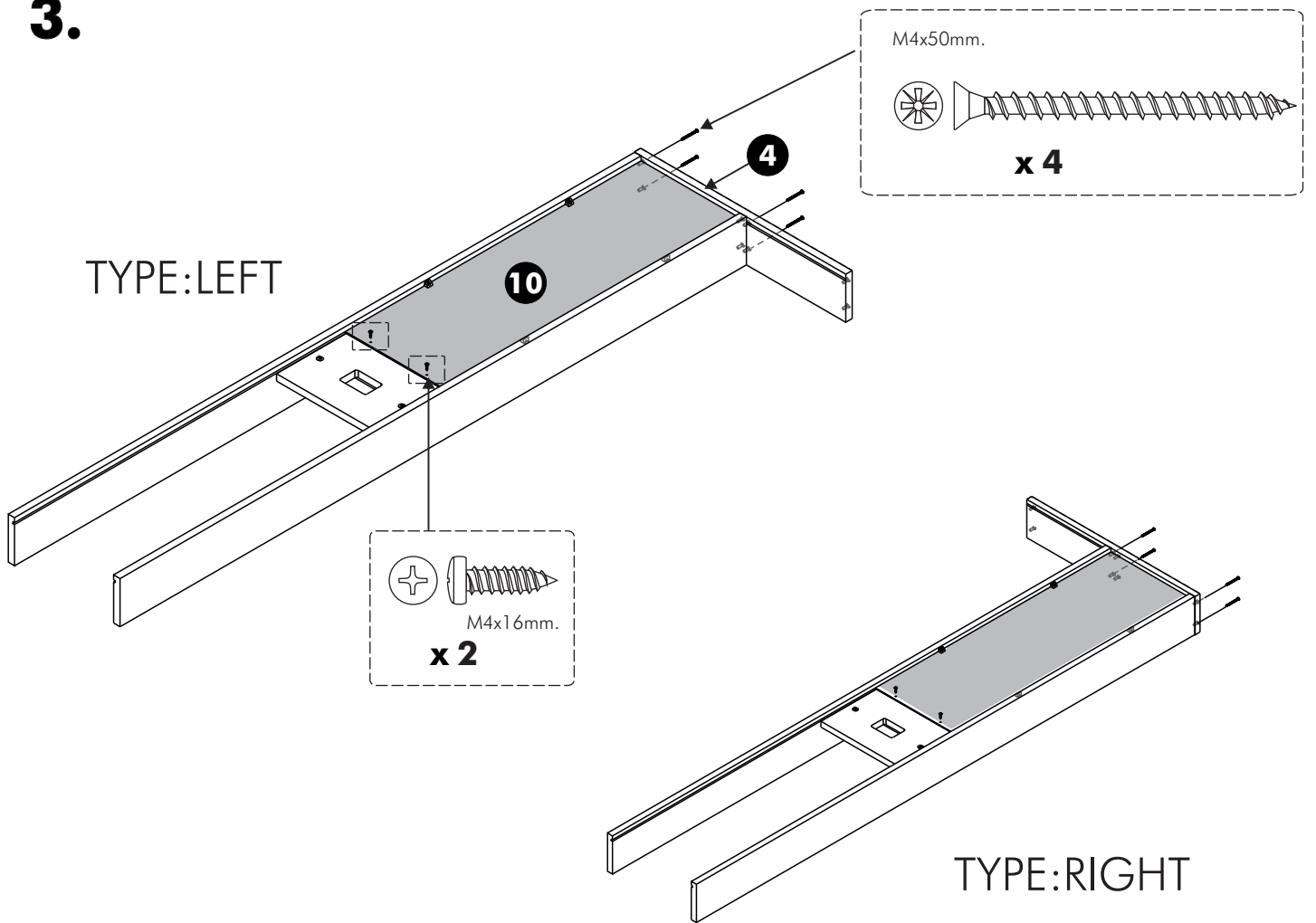
1.



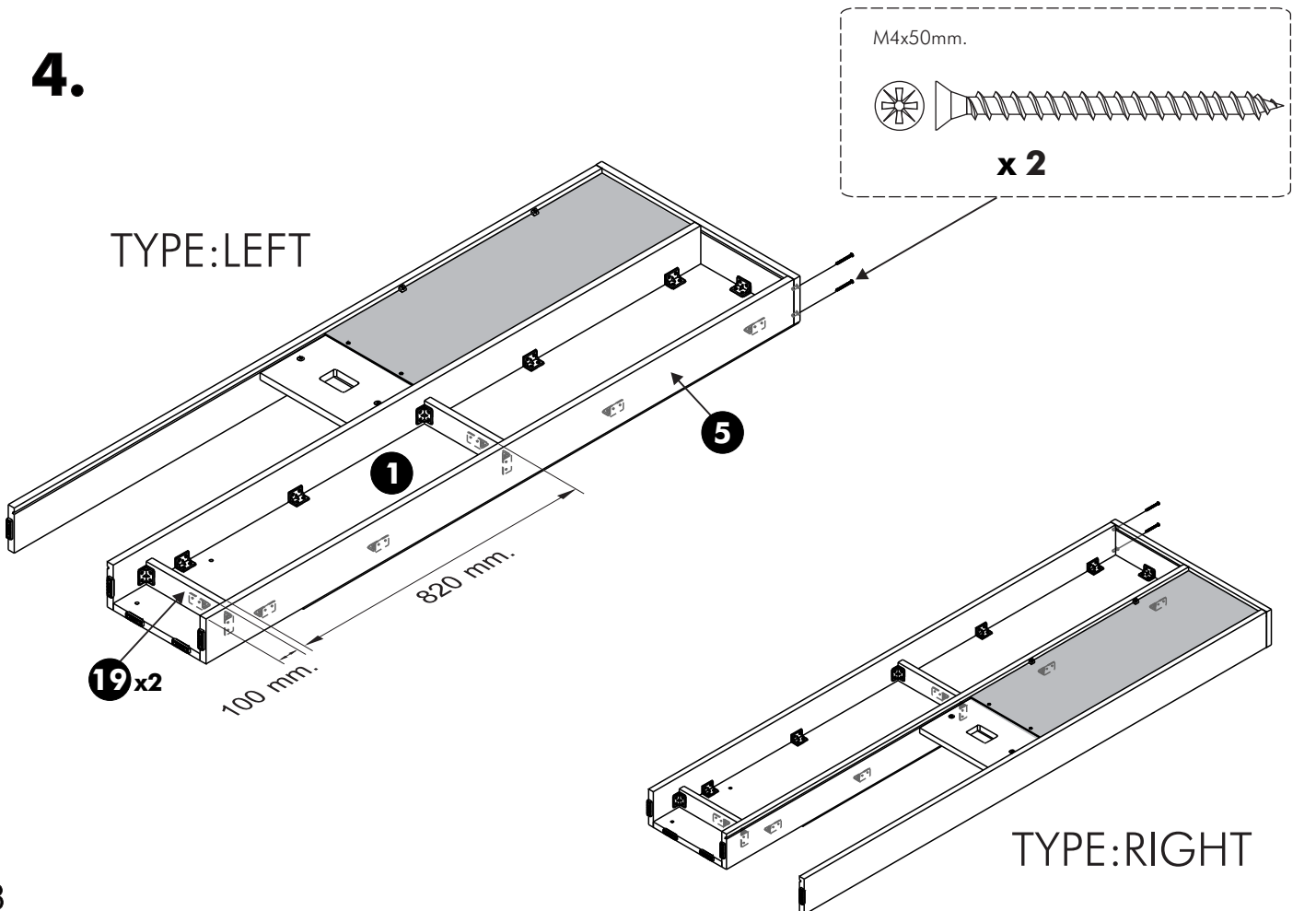
2.



3.

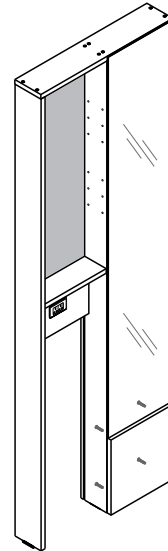
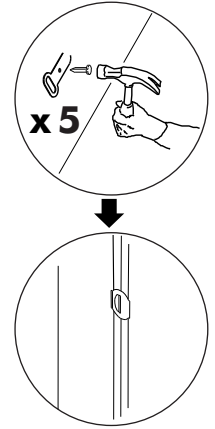
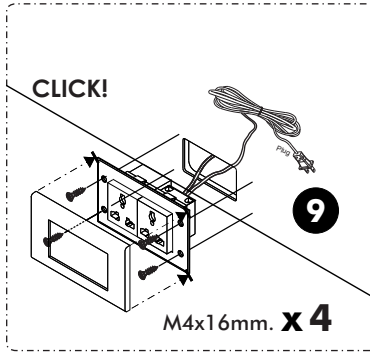
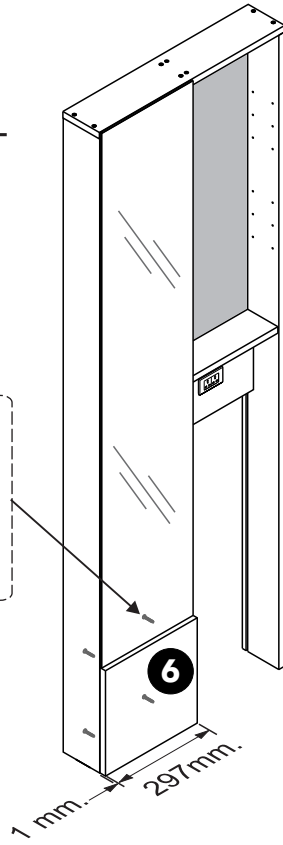
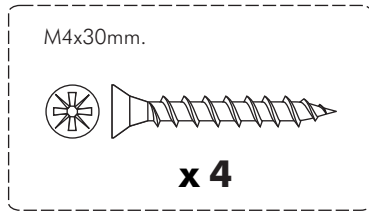


4.



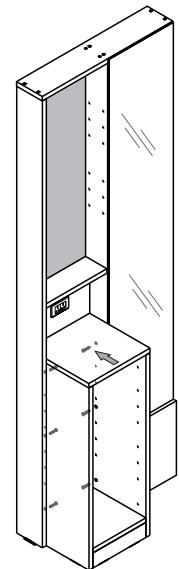
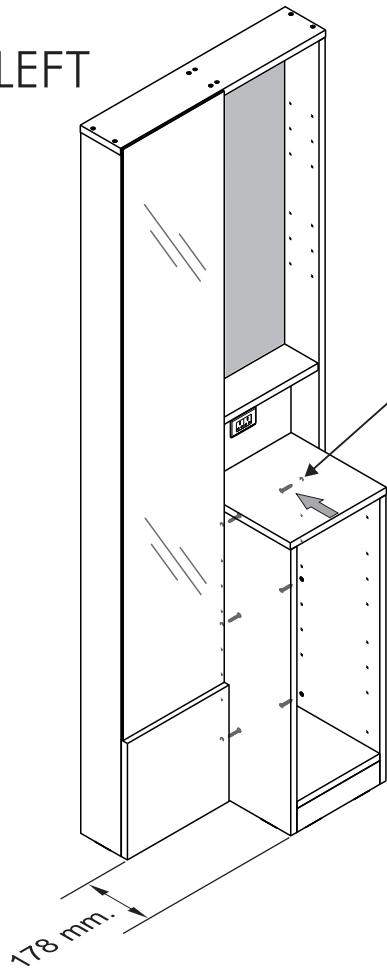
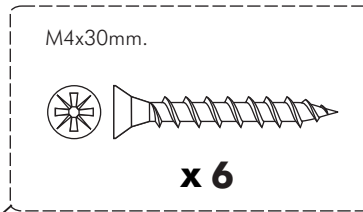
5.

TYPE:LEFT



6.

TYPE:LEFT

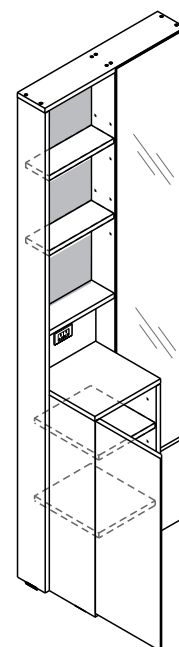
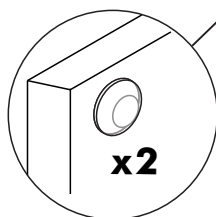
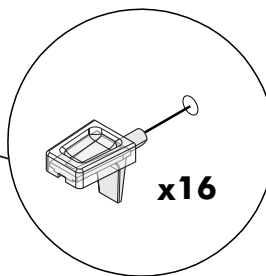
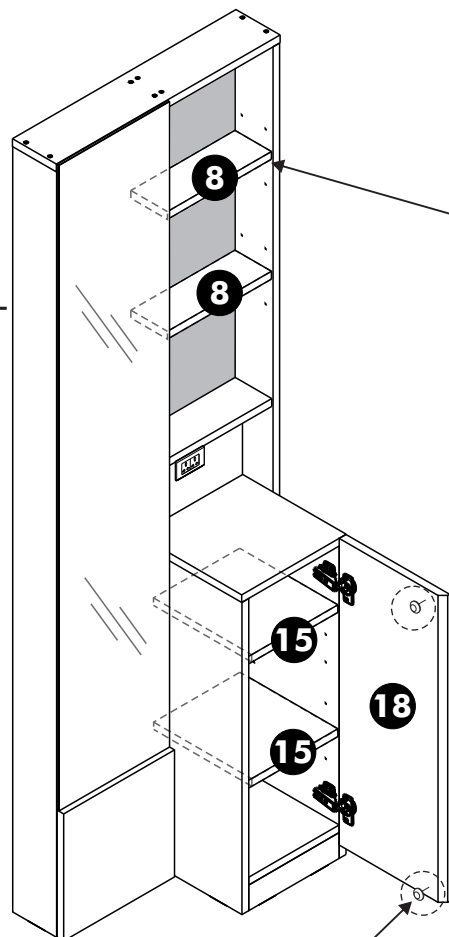


ASSEMBLY

-DOOR SET

1.

TYPE:LEFT



TYPE:RIGHT