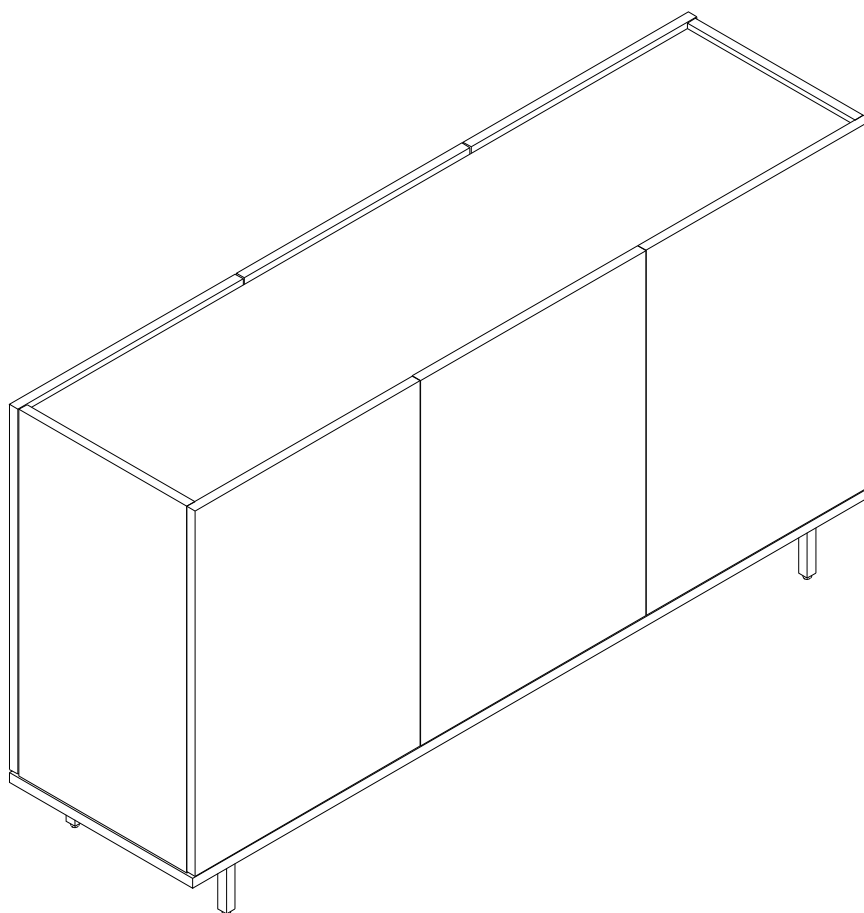


NORIS

Side board 150 cm.



CONNECT SYSTEM

1

3

2

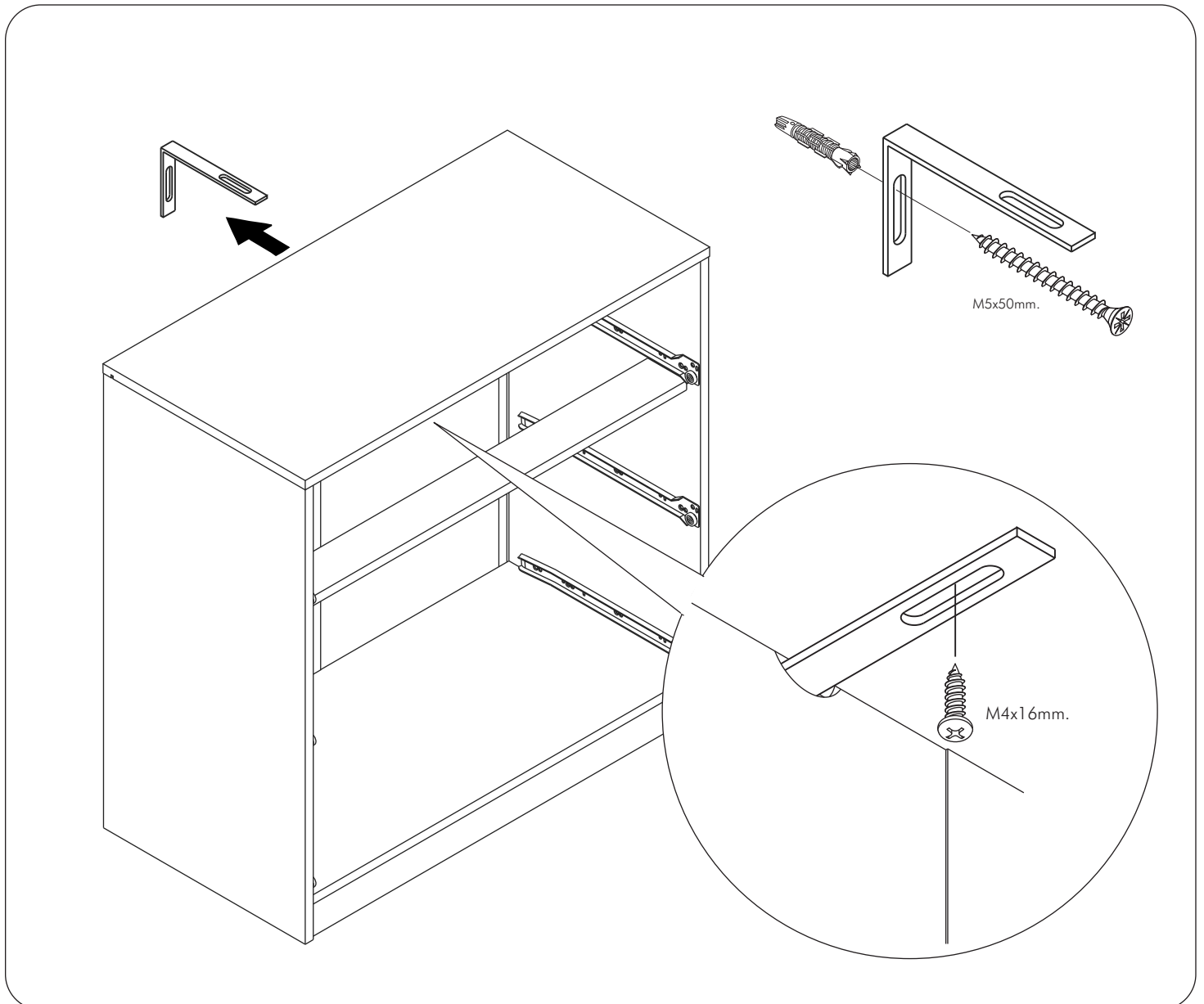
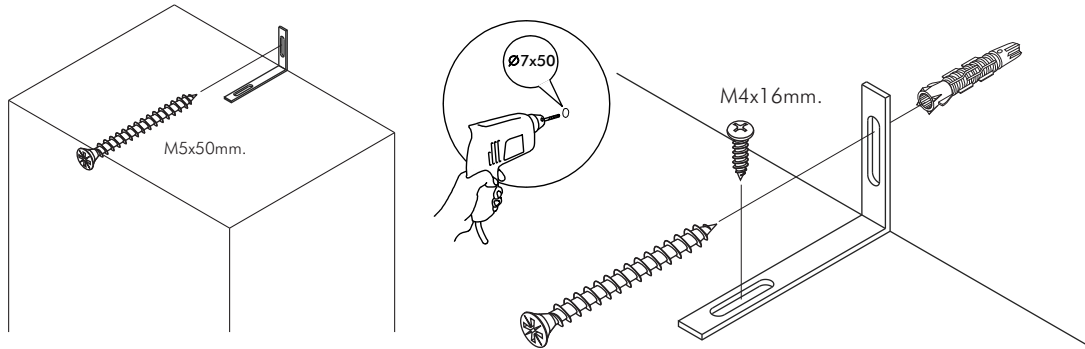
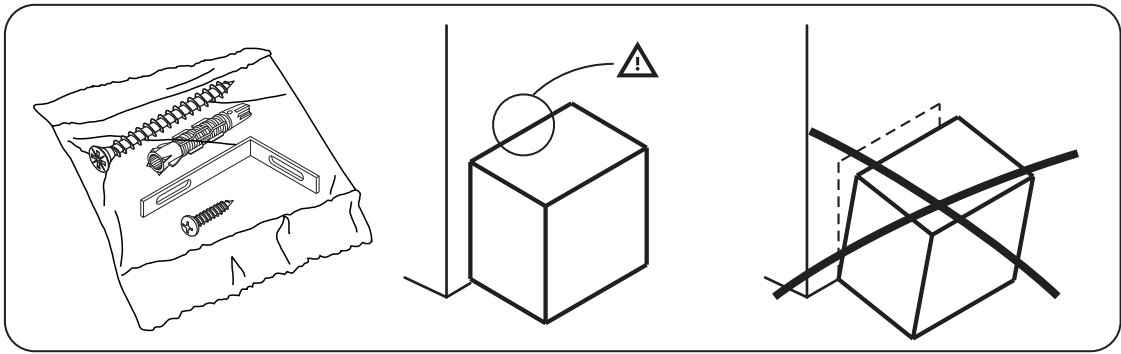
(Connecting bolts)

WHEN FITTING CAMS
 ENSURE STARTING POSITION IS CORRECT
 BEFORE YOU INSERT CONNECTING BOLT
 TURN CLOCKWISE UNTIL SECURE

✓			✗
	CORRECT	WRONG	

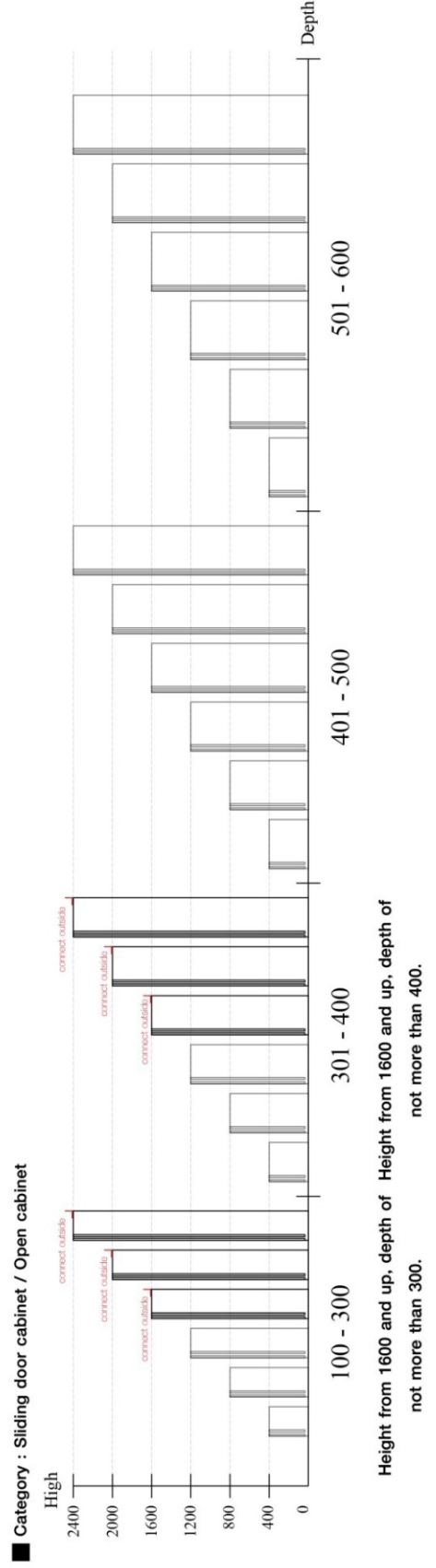
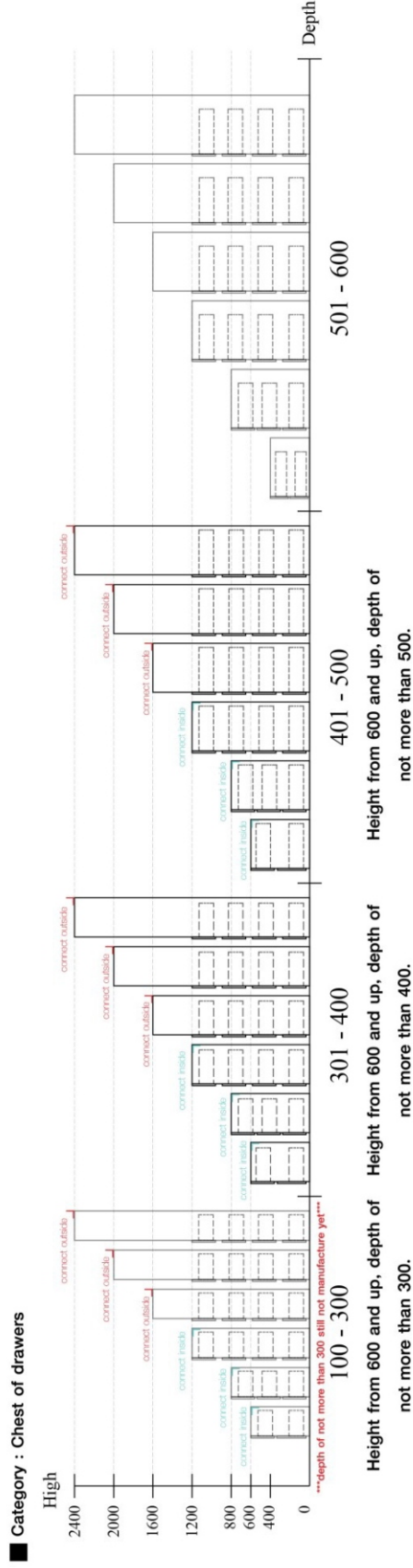
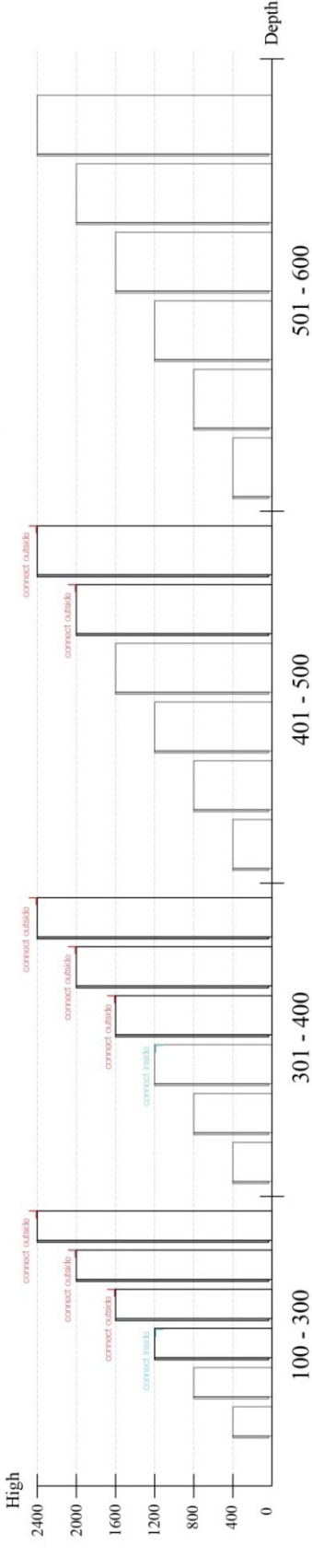
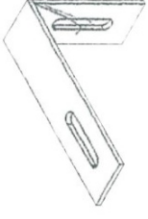
M4x16mm.

DOOR PANEL



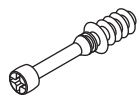
■ The Standard for identifying which mounted safety fall protection fitting to use **Note : That children's products must be installed with all anti-falling fittings.**

■ Mounted fall protection fittings



HARDWARE

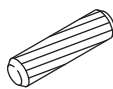
-BODY SET



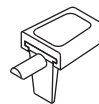
x 18



x 18



x 28

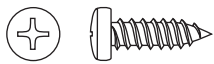


x 12



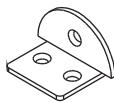
M4x16mm.

x 12



M4x16mm.

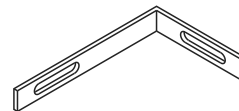
x 21



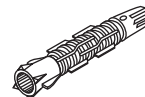
x 4



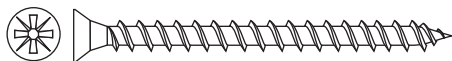
x 8



x 1



x 1



M4x50mm.

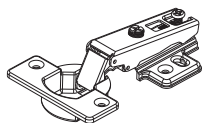
x 8



M5x50mm.

x 1

-DOORS SET



x 6

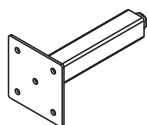


x 6



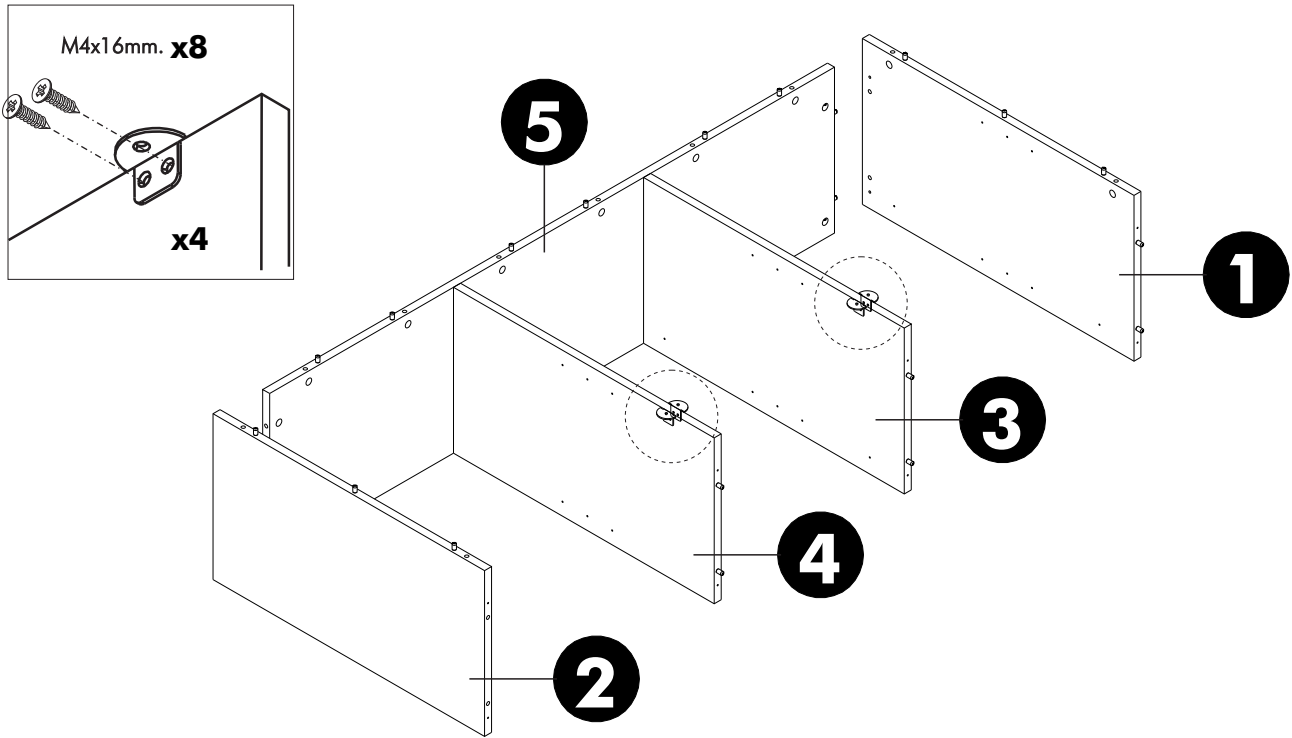
M4x16mm.

x 36

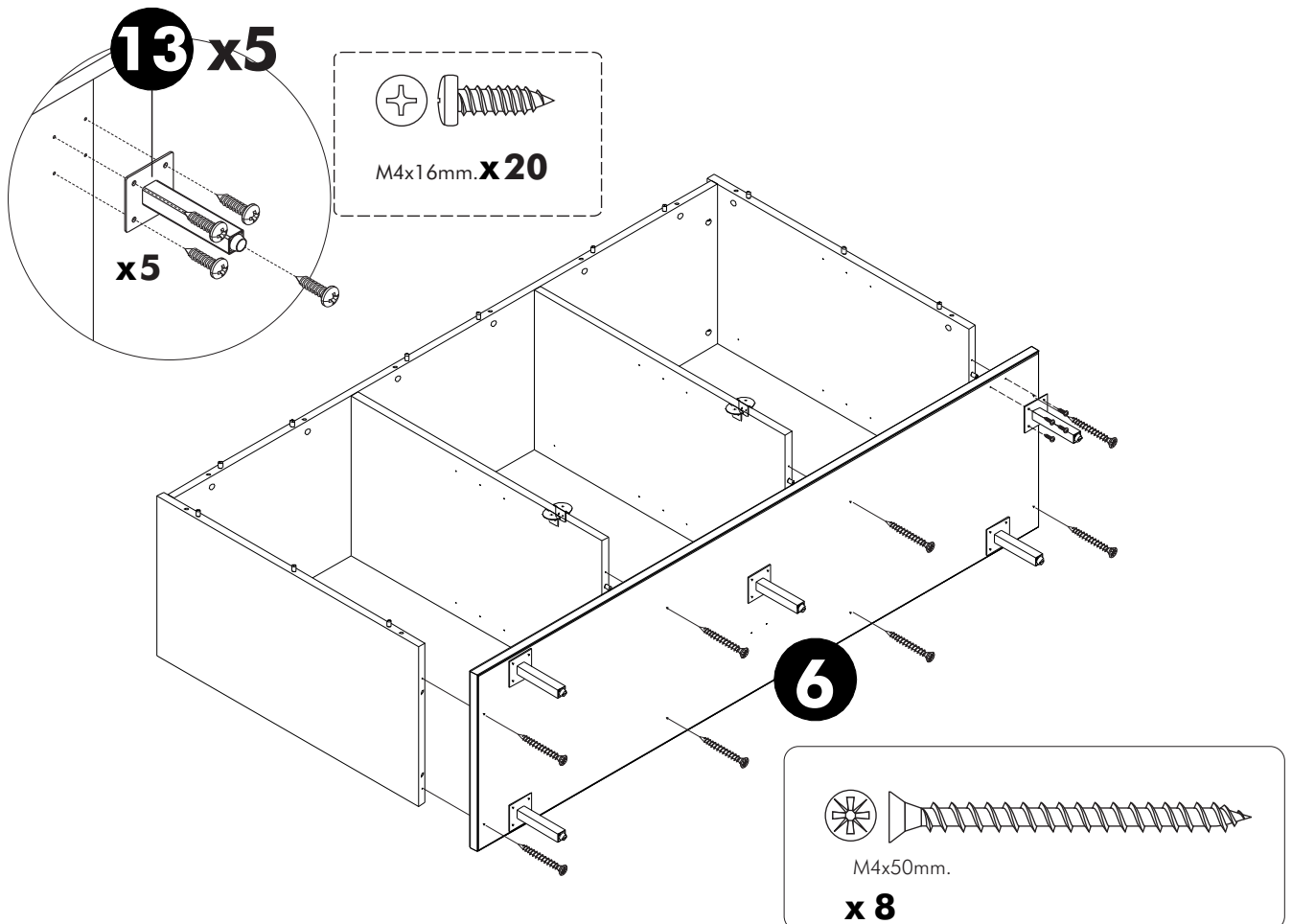


13 x5

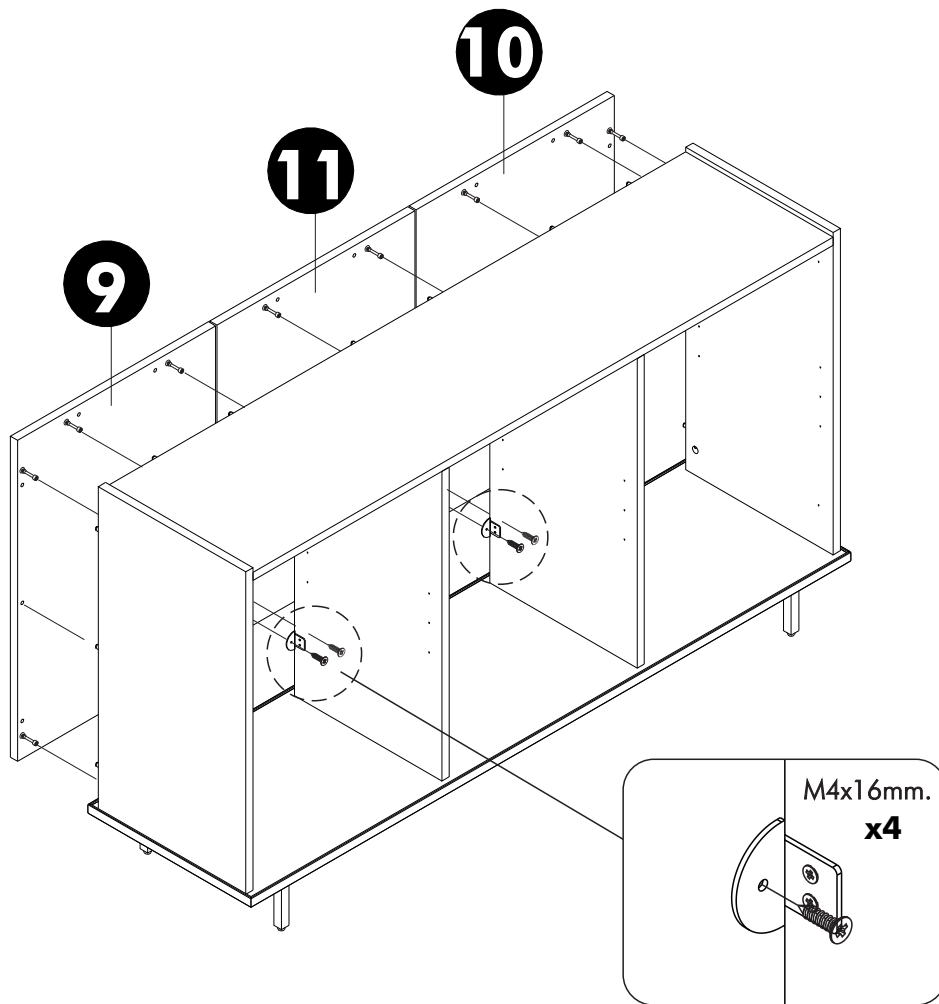
1.



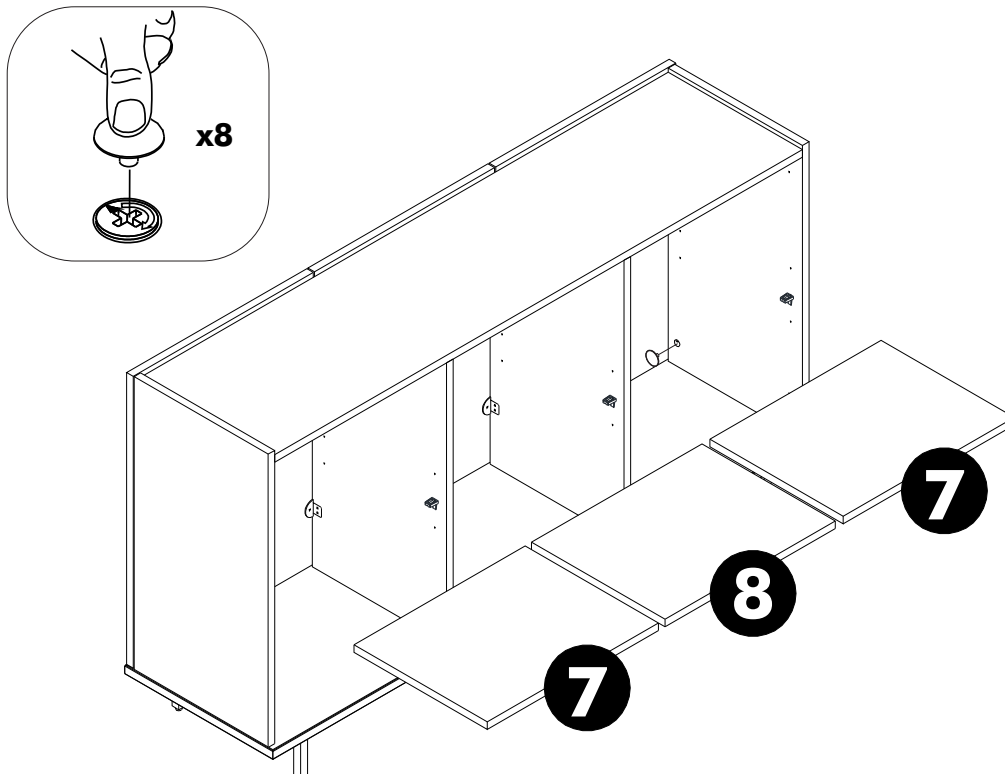
2.



3.



4.



5.

