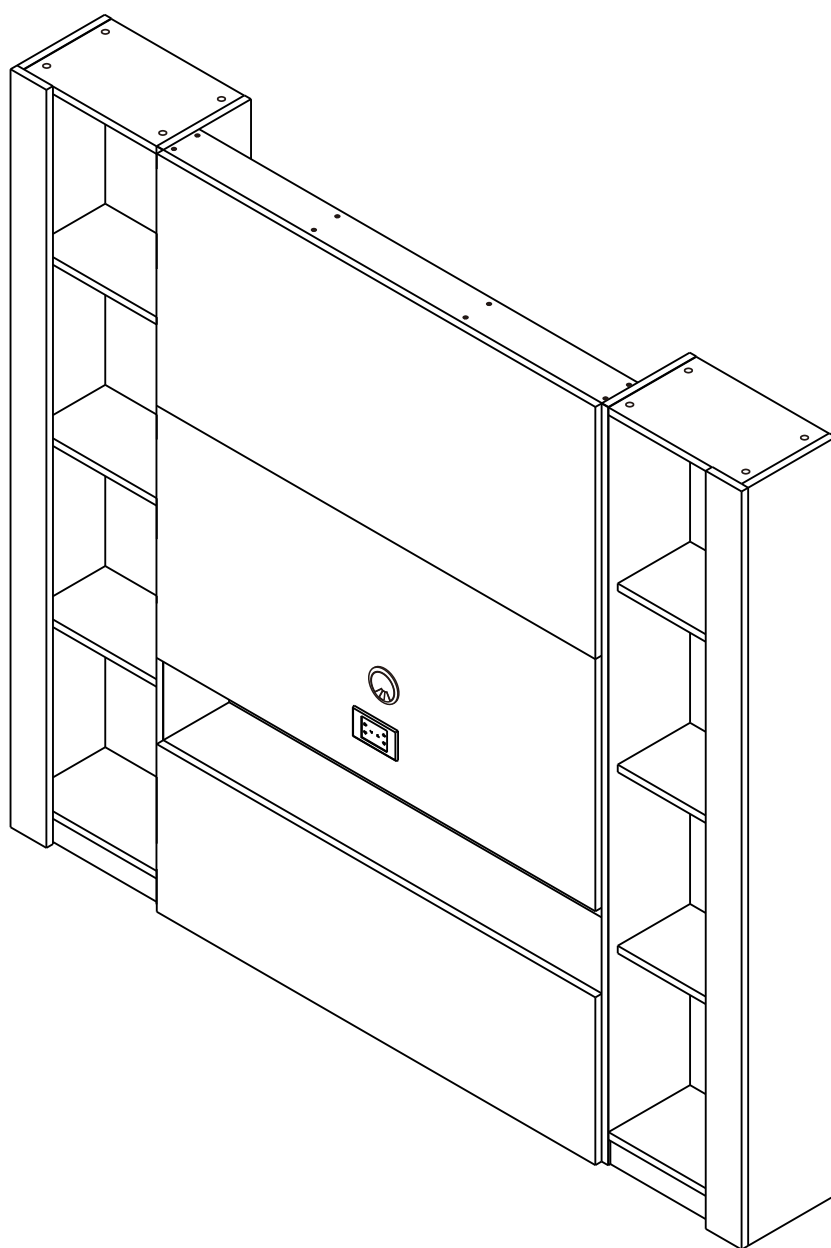
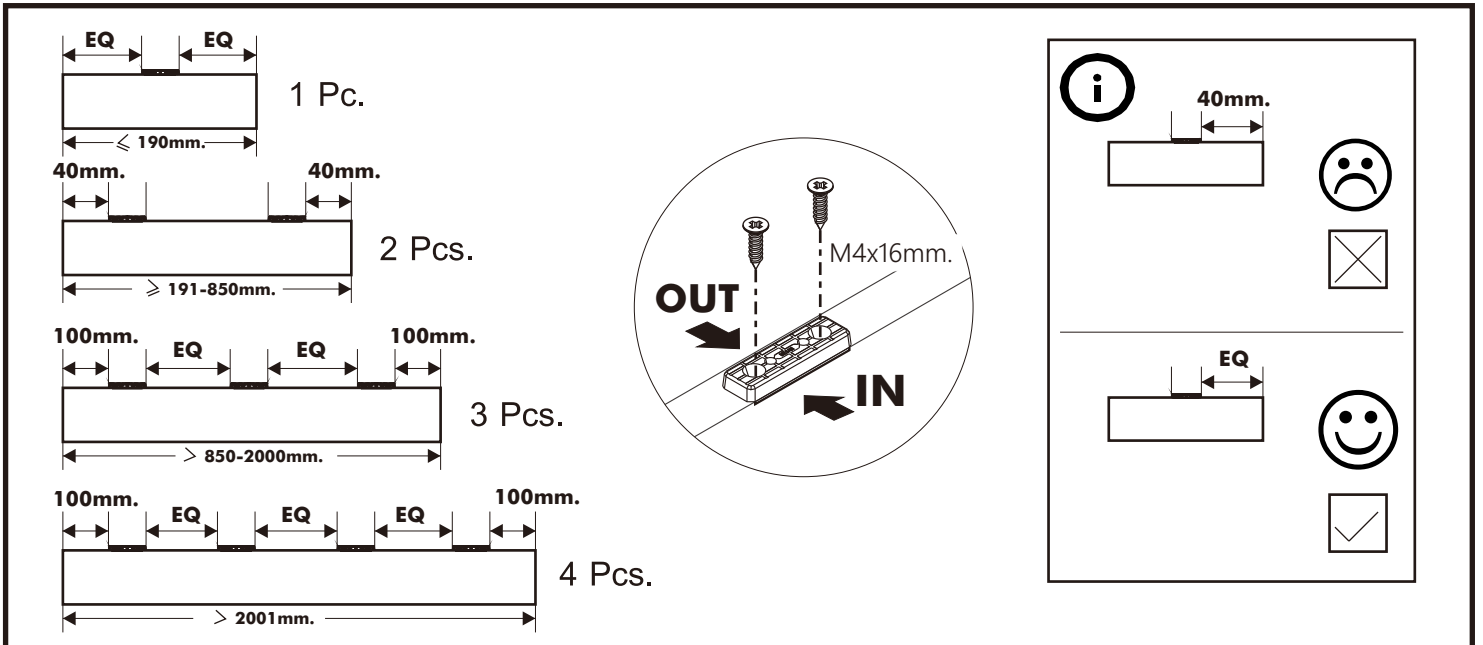
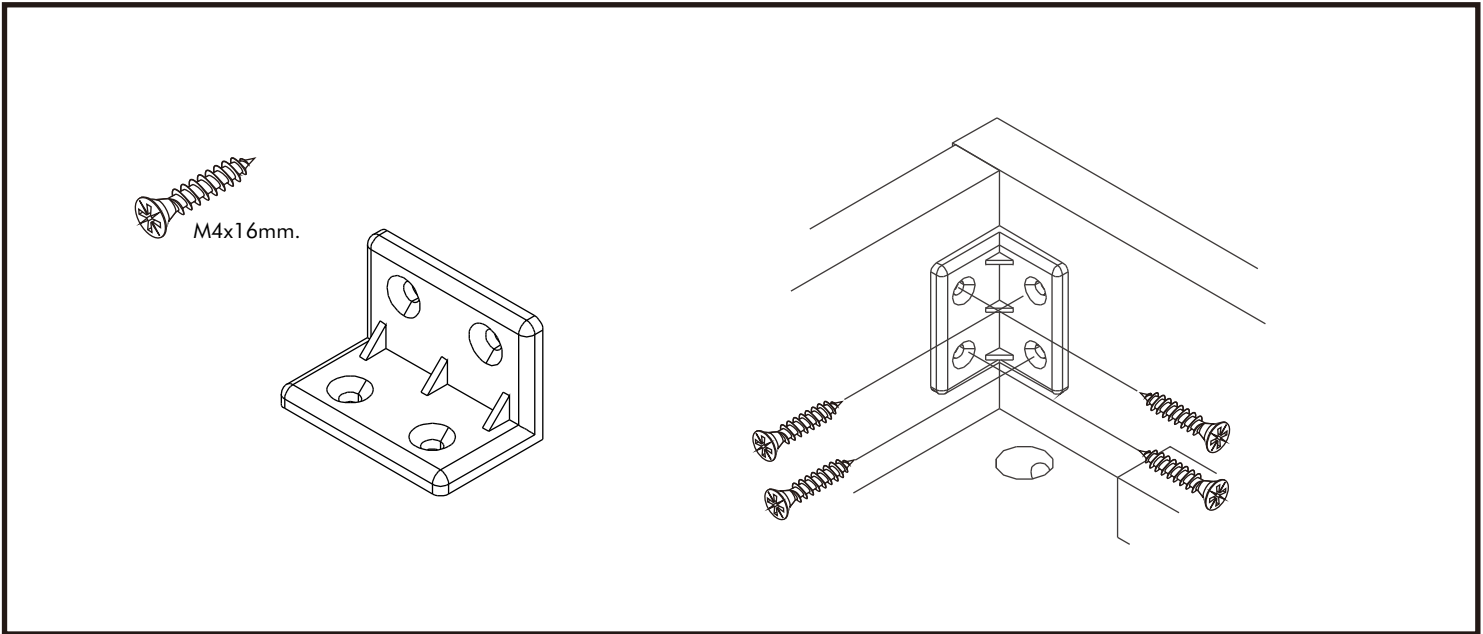
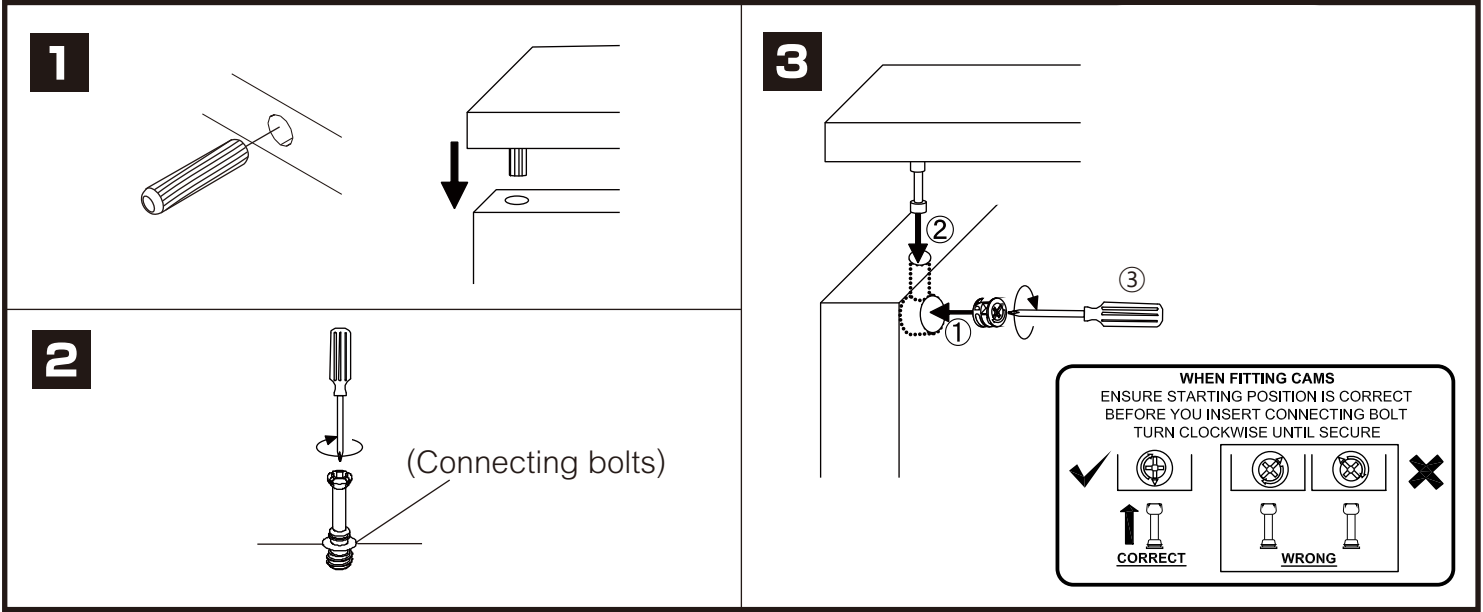


INDEX LUX

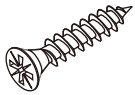
INDEX LUX LIVING 2.0



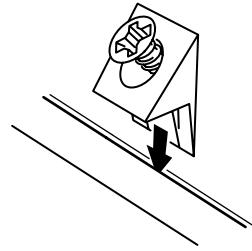
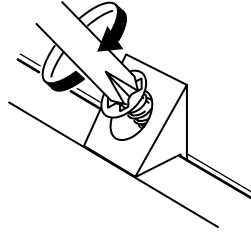
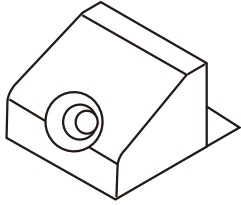
CONNECT SYSTEM

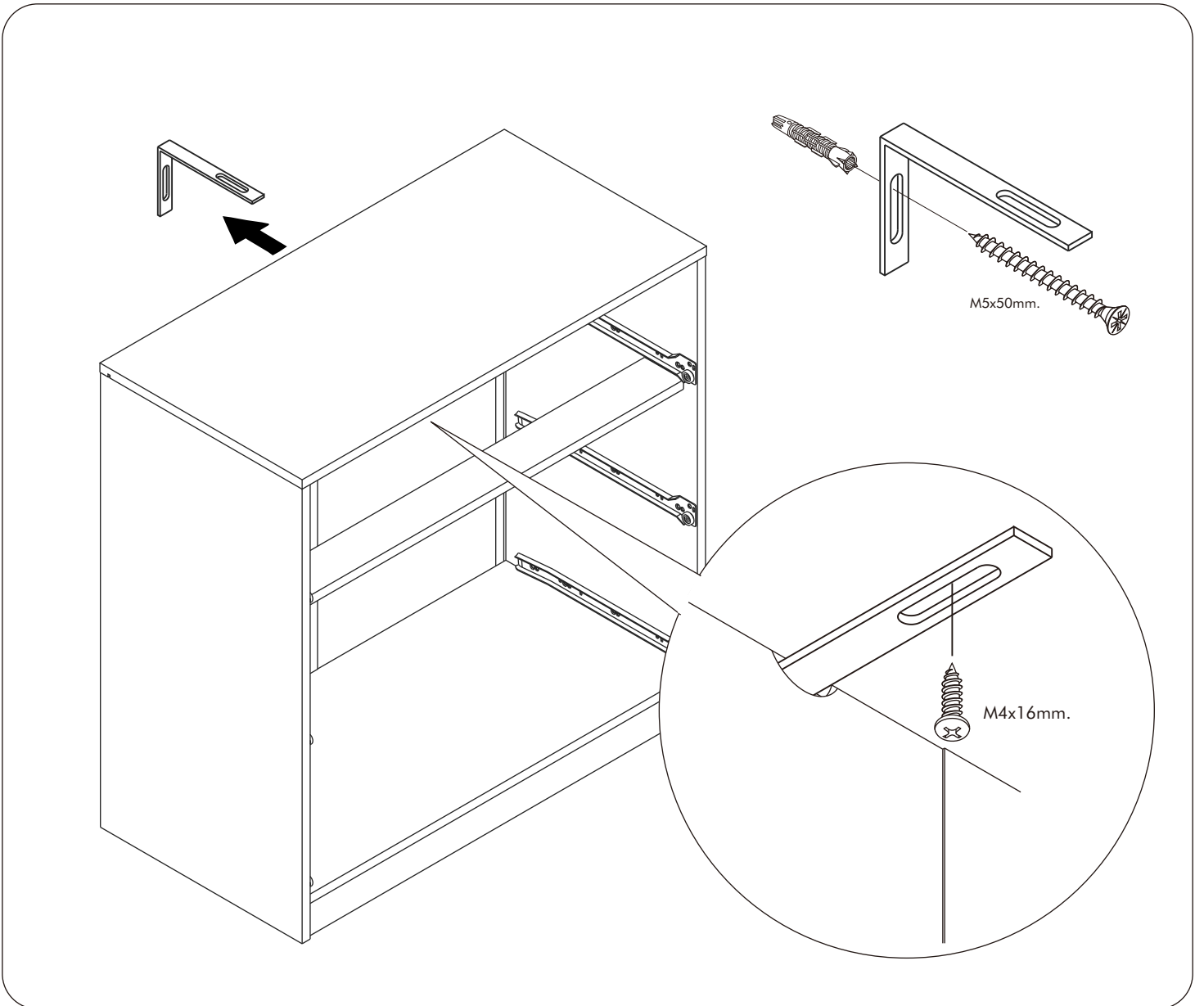
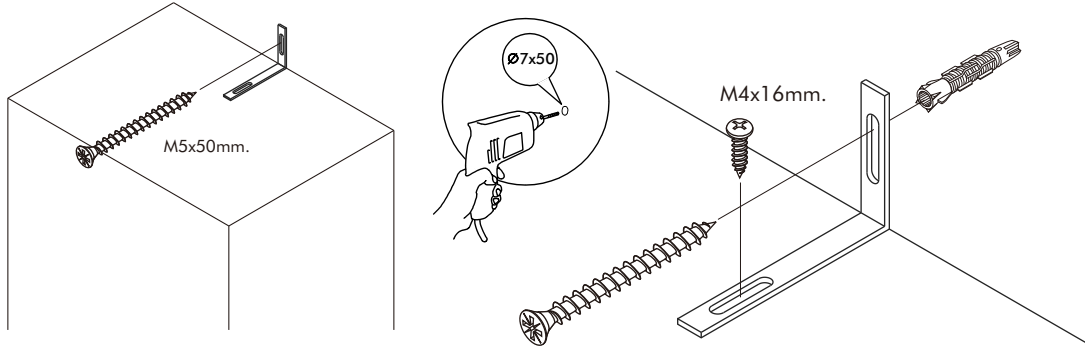
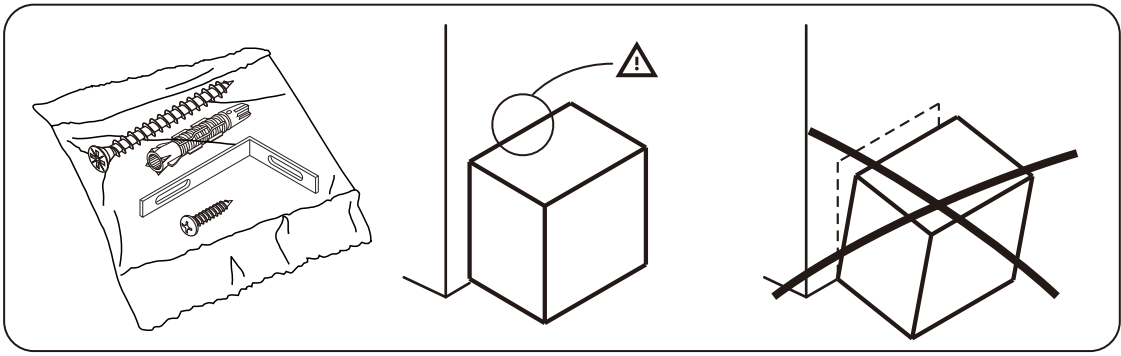


CONNECT SYSTEM



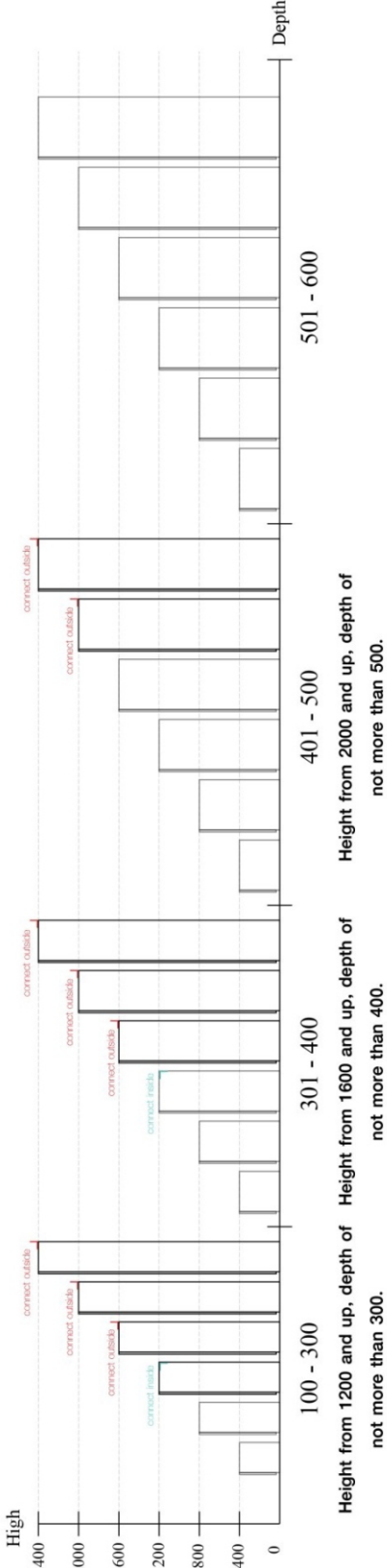
M3.5x20mm.



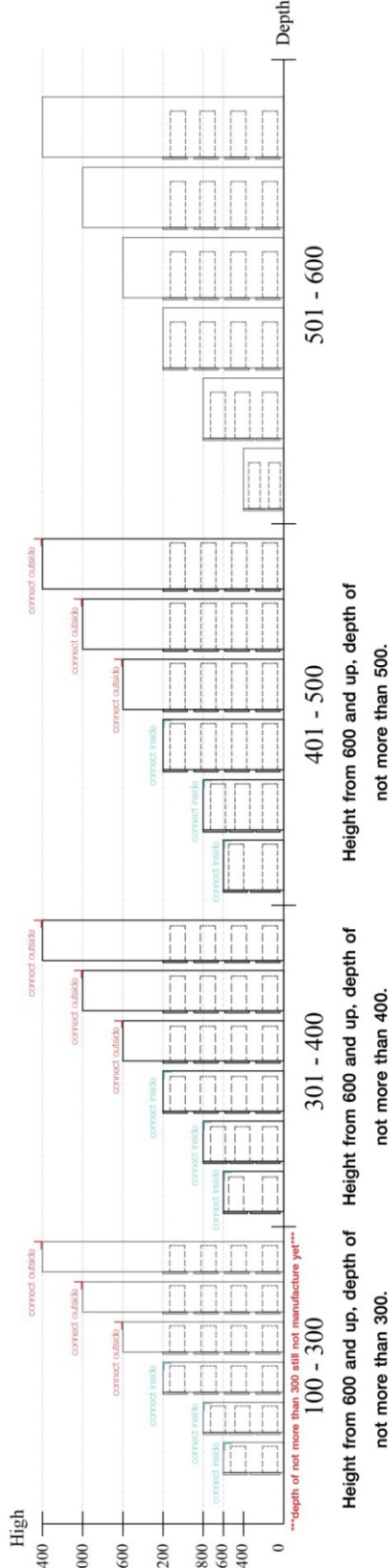


The Standard for identifying which mounted safety fall protection fitting to use **Note : That children's products must be installed with all anti-falling fittings.**

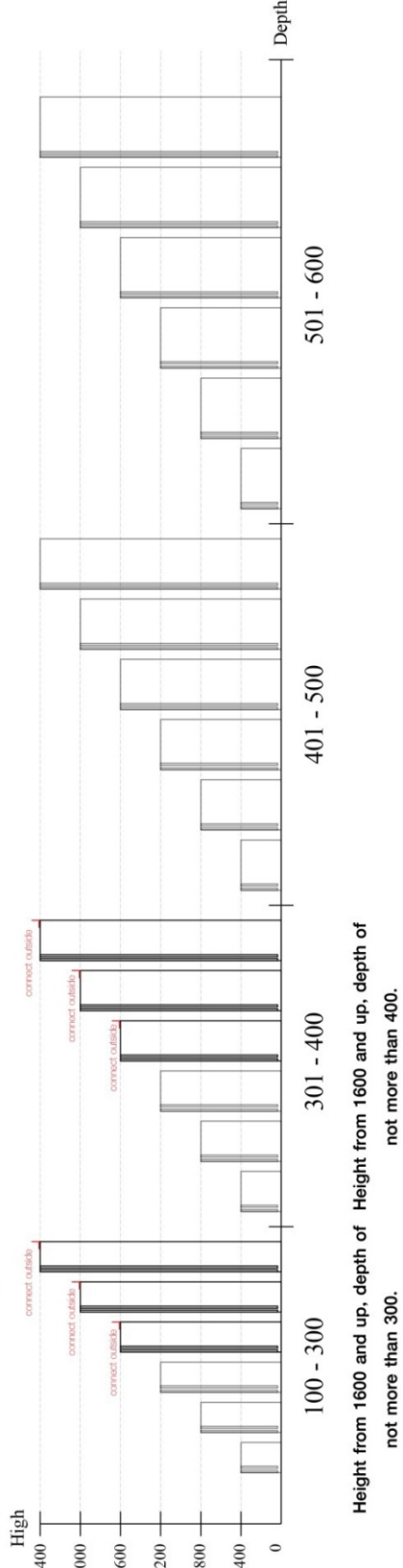
Category : Cabinet with open doors



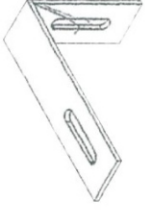
Category : Chest of drawers



Category : Sliding door cabinet / Open cabinet

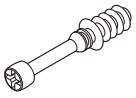


Mounted fall protection fittings



HARDWARE

-BODY SET

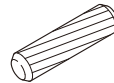


x 24



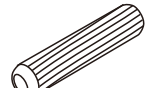
19mm.

x 24



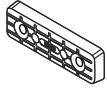
#8x35

x 58

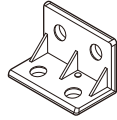


#8x50

x 4



x 16

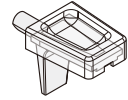


x 47



#M4x16

x 220

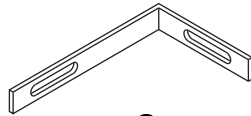


x 16

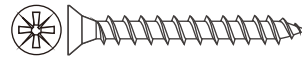


P+M4x16

x 10



x 2



#M4x50

x 24

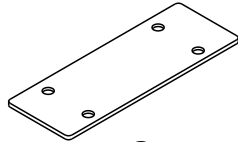


#M4x30

x 20



x 4



x 3

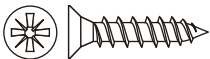


P+M4x13

x 12



x 10



F+M3.5x20

x 10



#UP-745

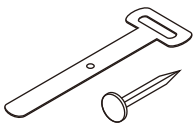
x 2



#M5x50

x 2

-LAMP SET



x 5/5



5x3/4" mm.

x 1

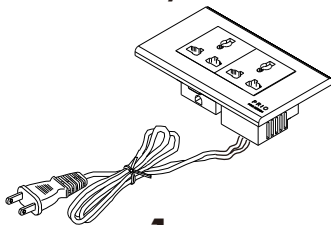


x 1

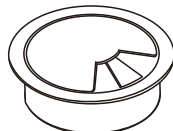


M4x16mm.

x 4



x 1

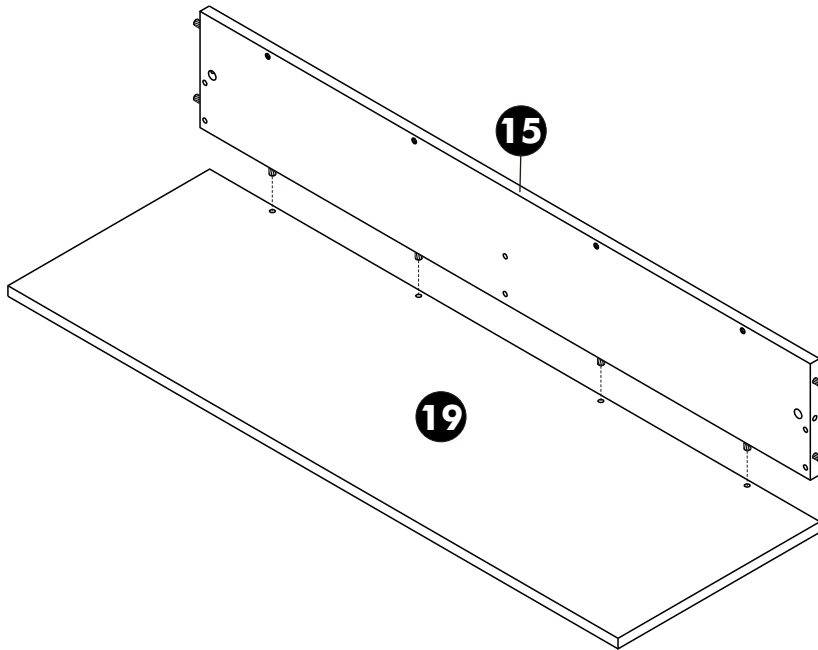


x 2

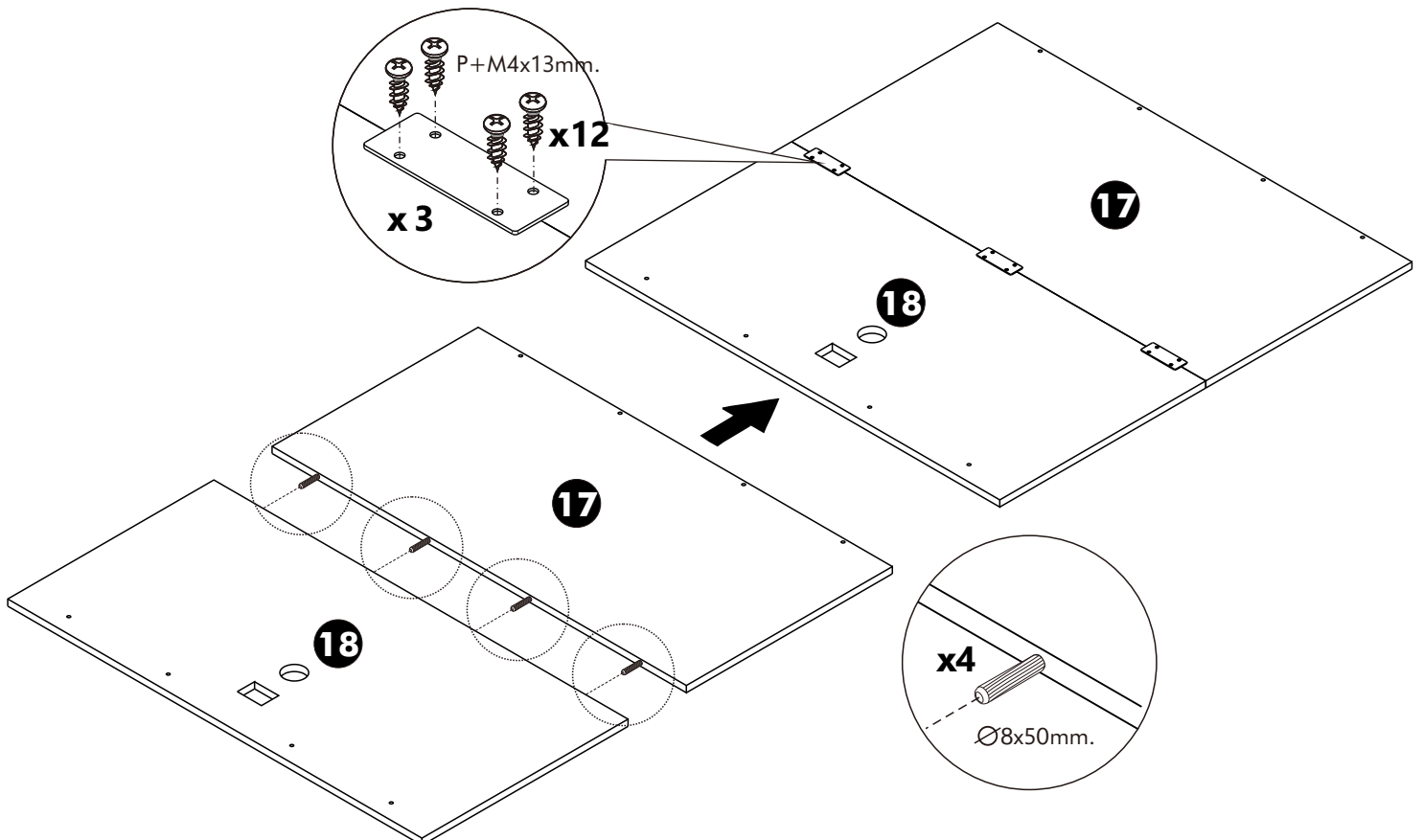
ASSEMBLY

-BODY SET

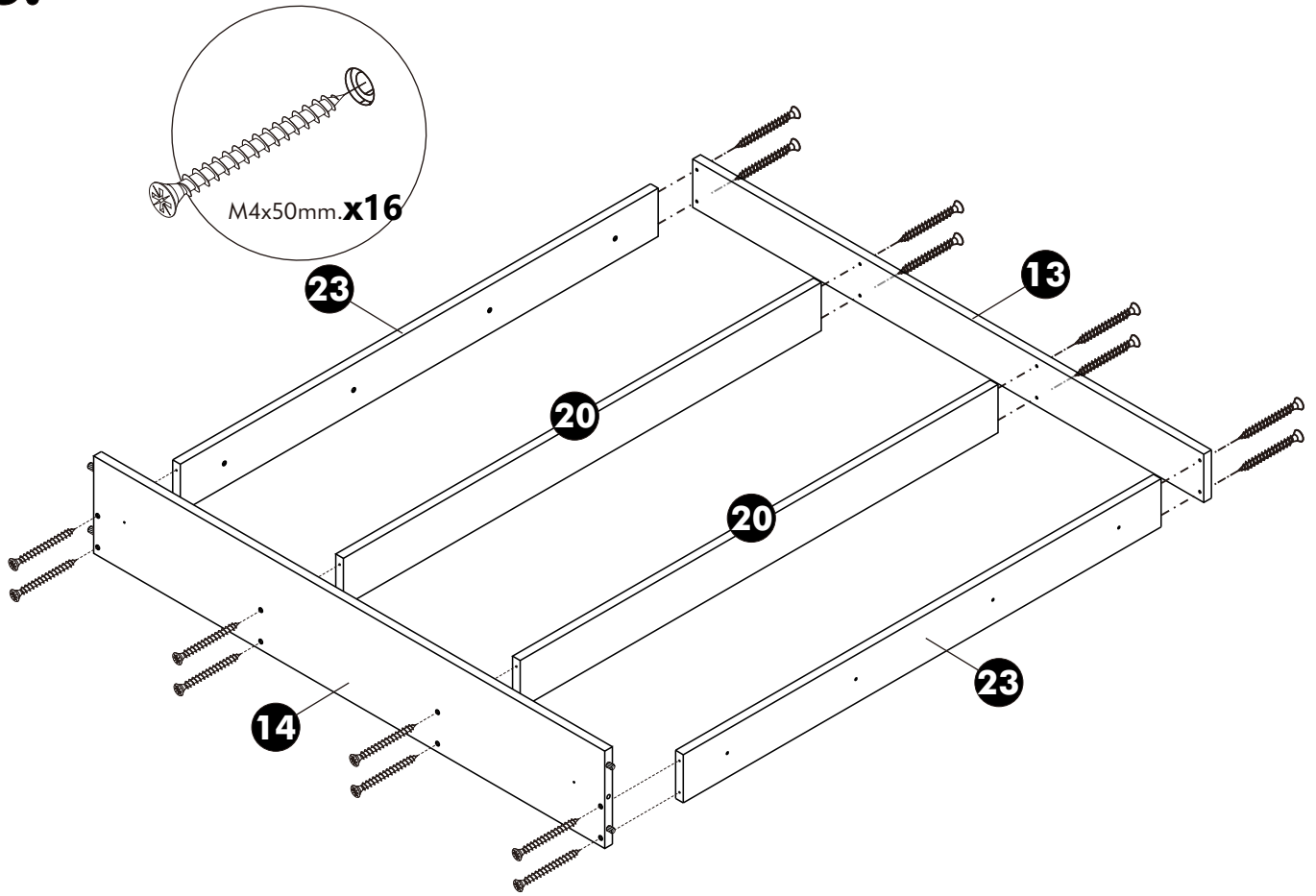
1.



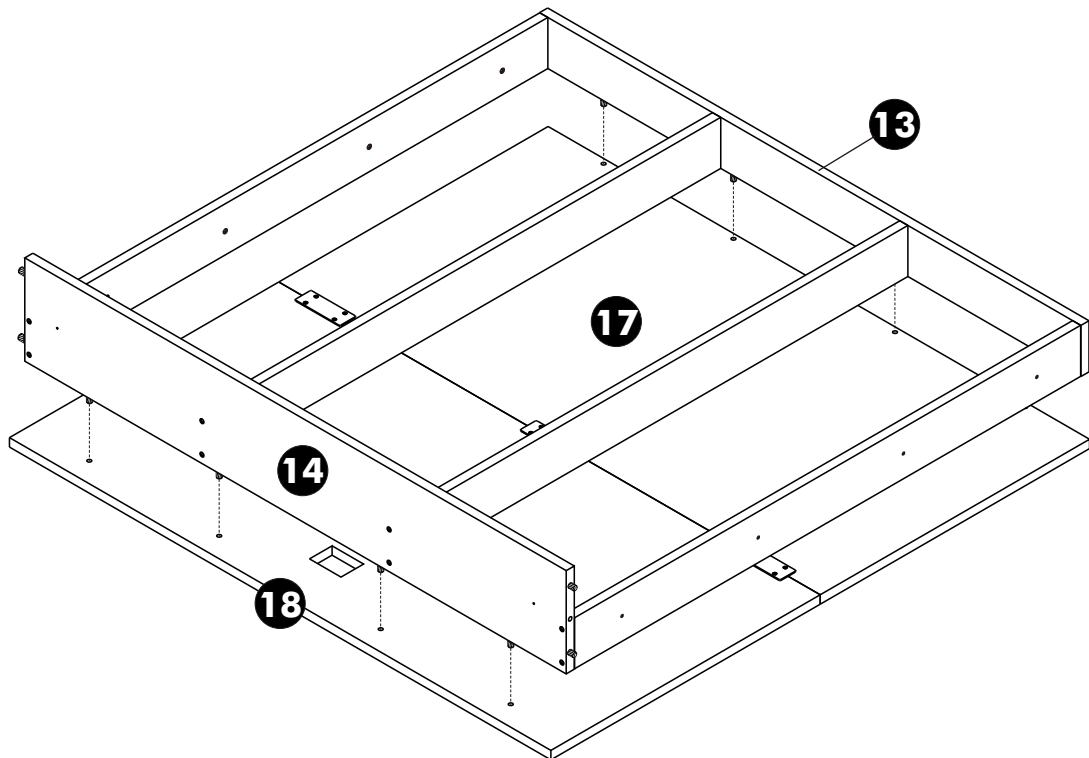
2.



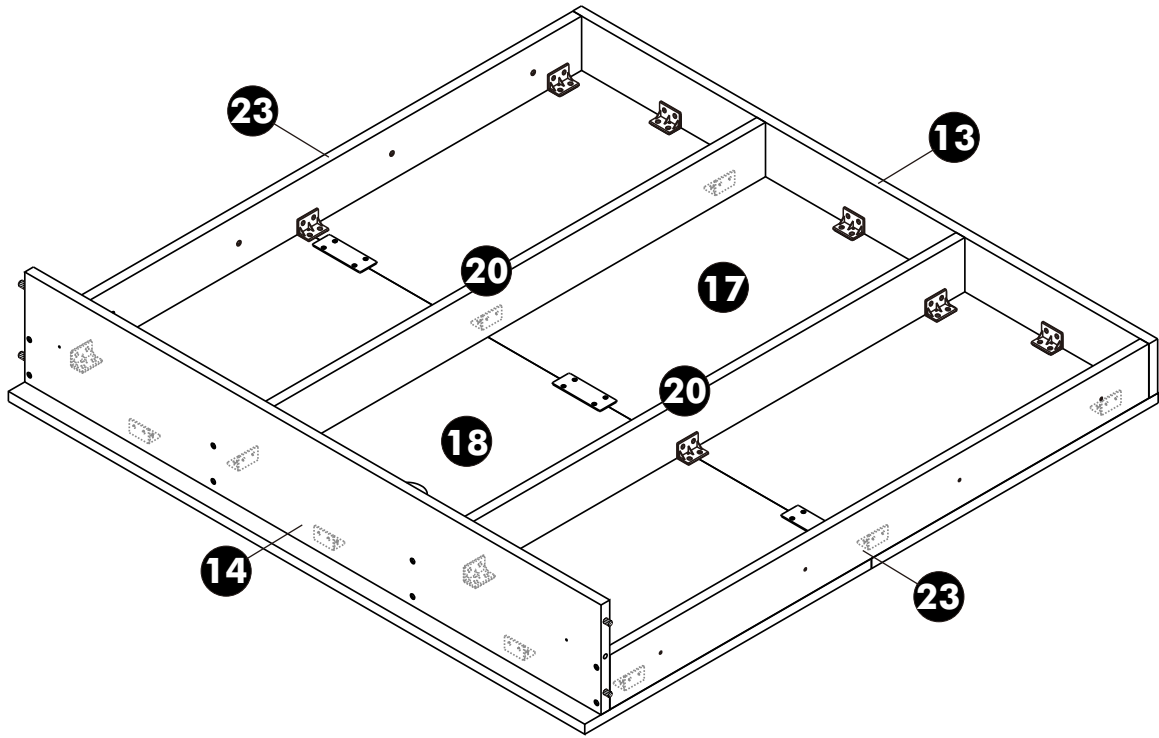
3.



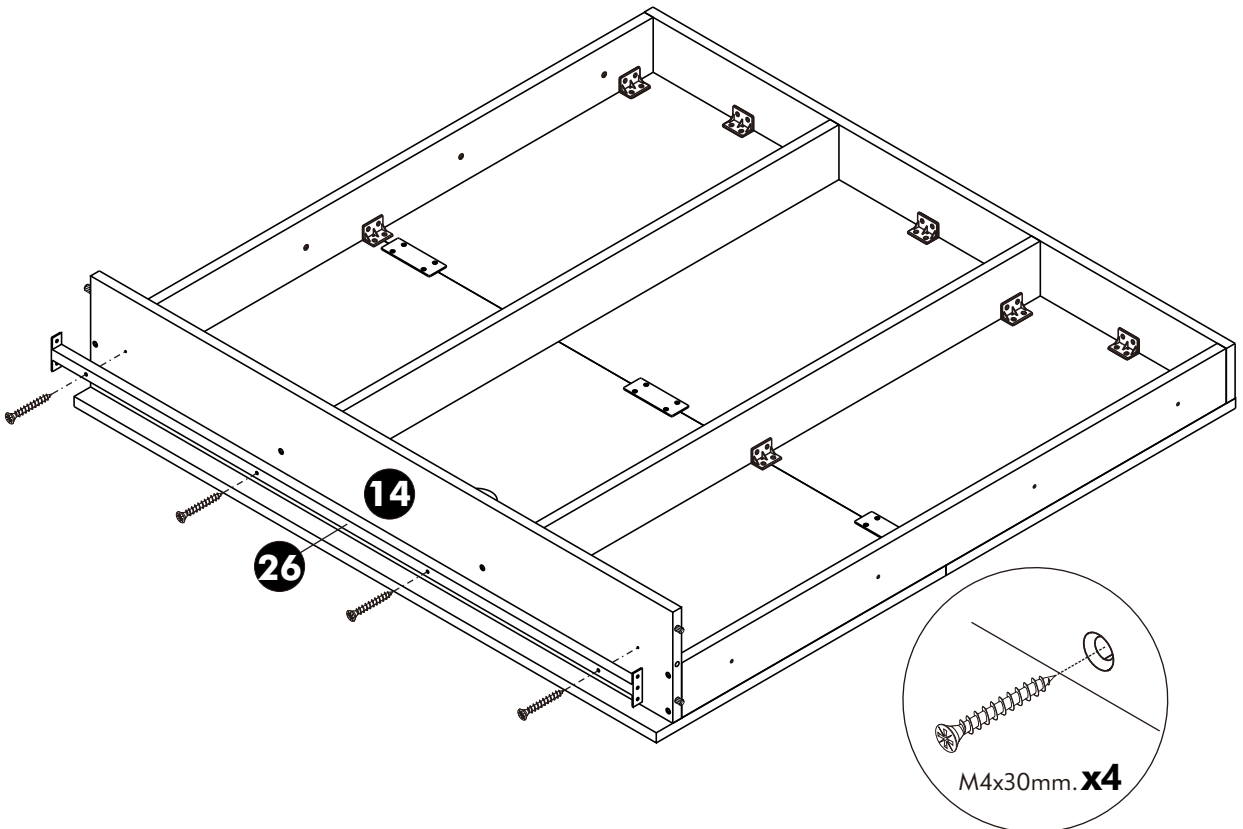
4.



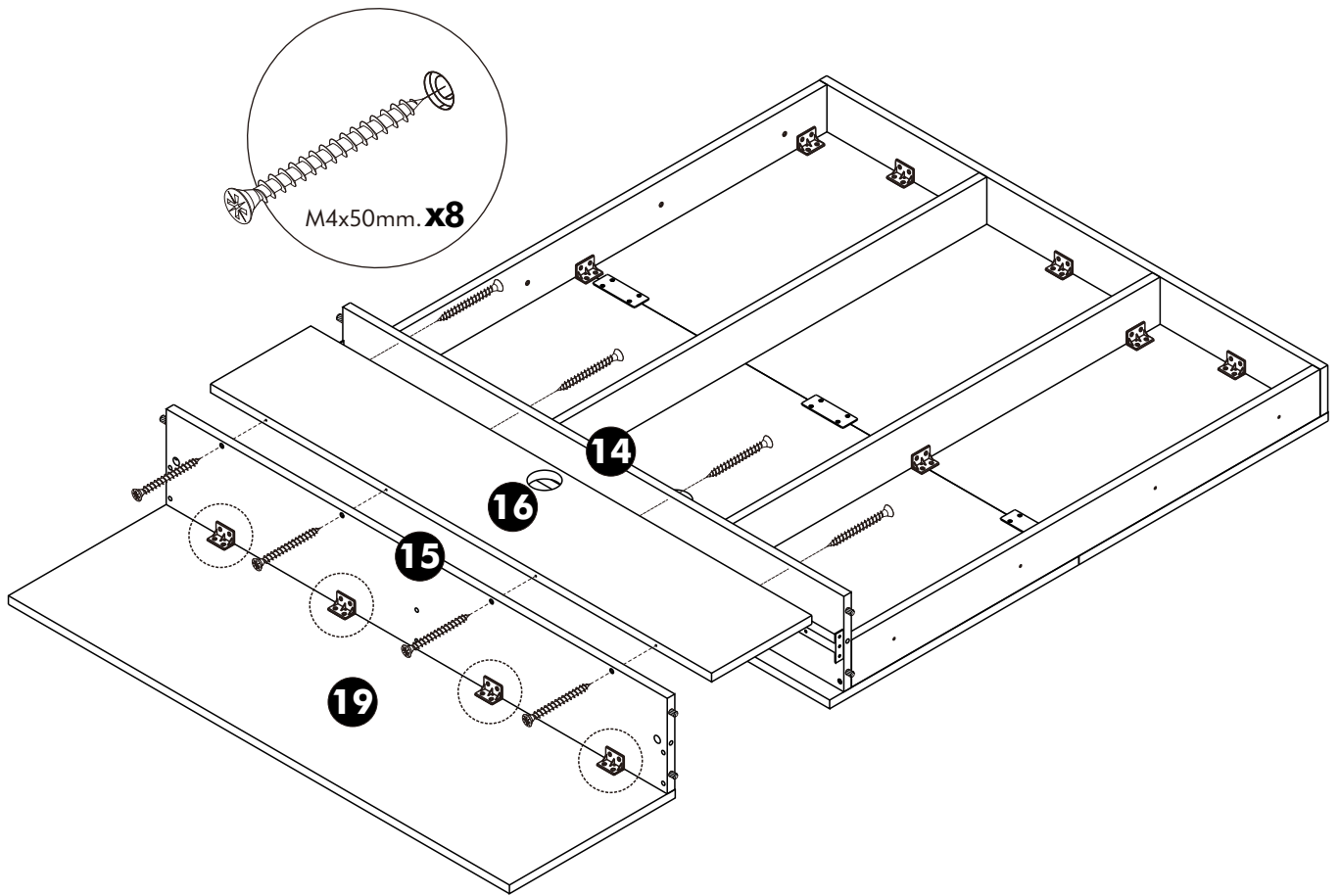
5.



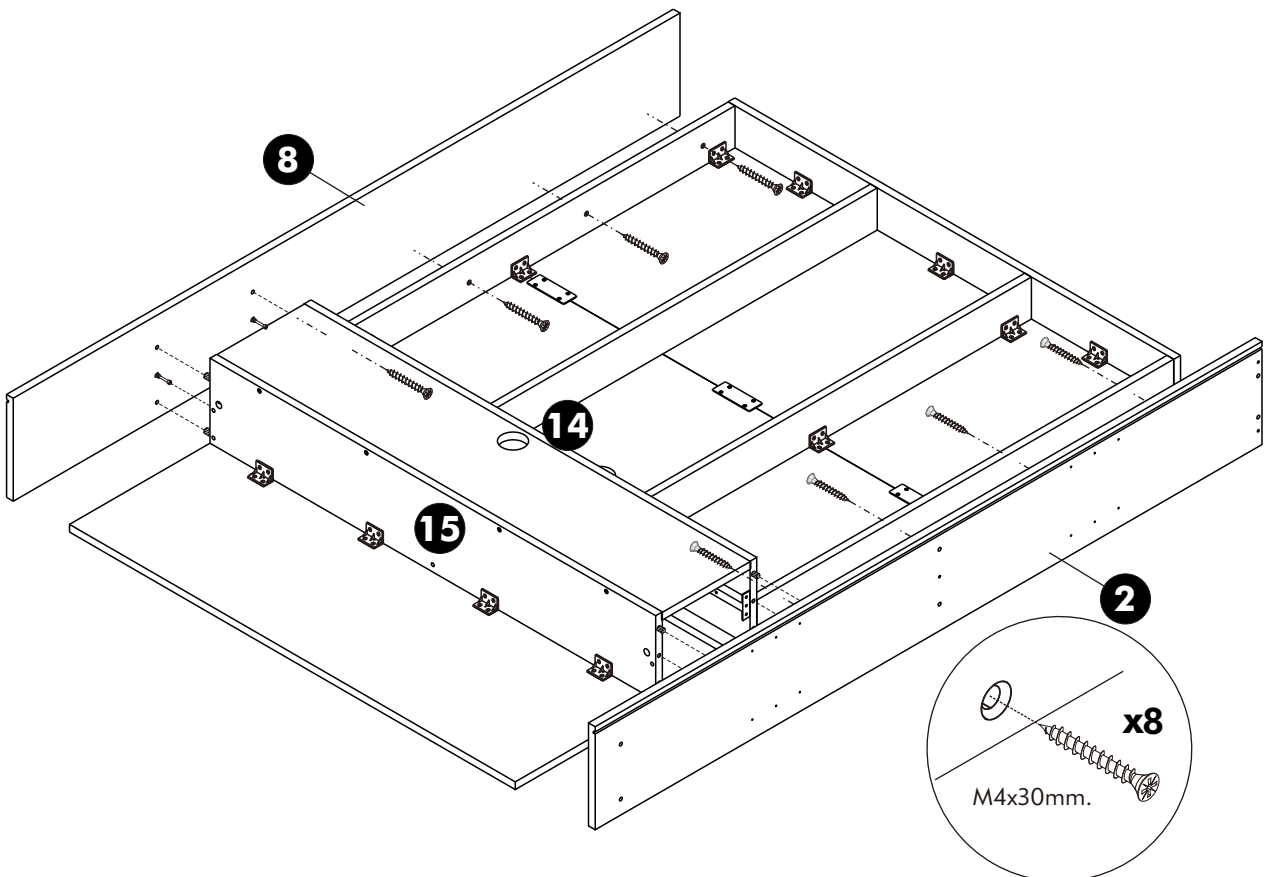
6.



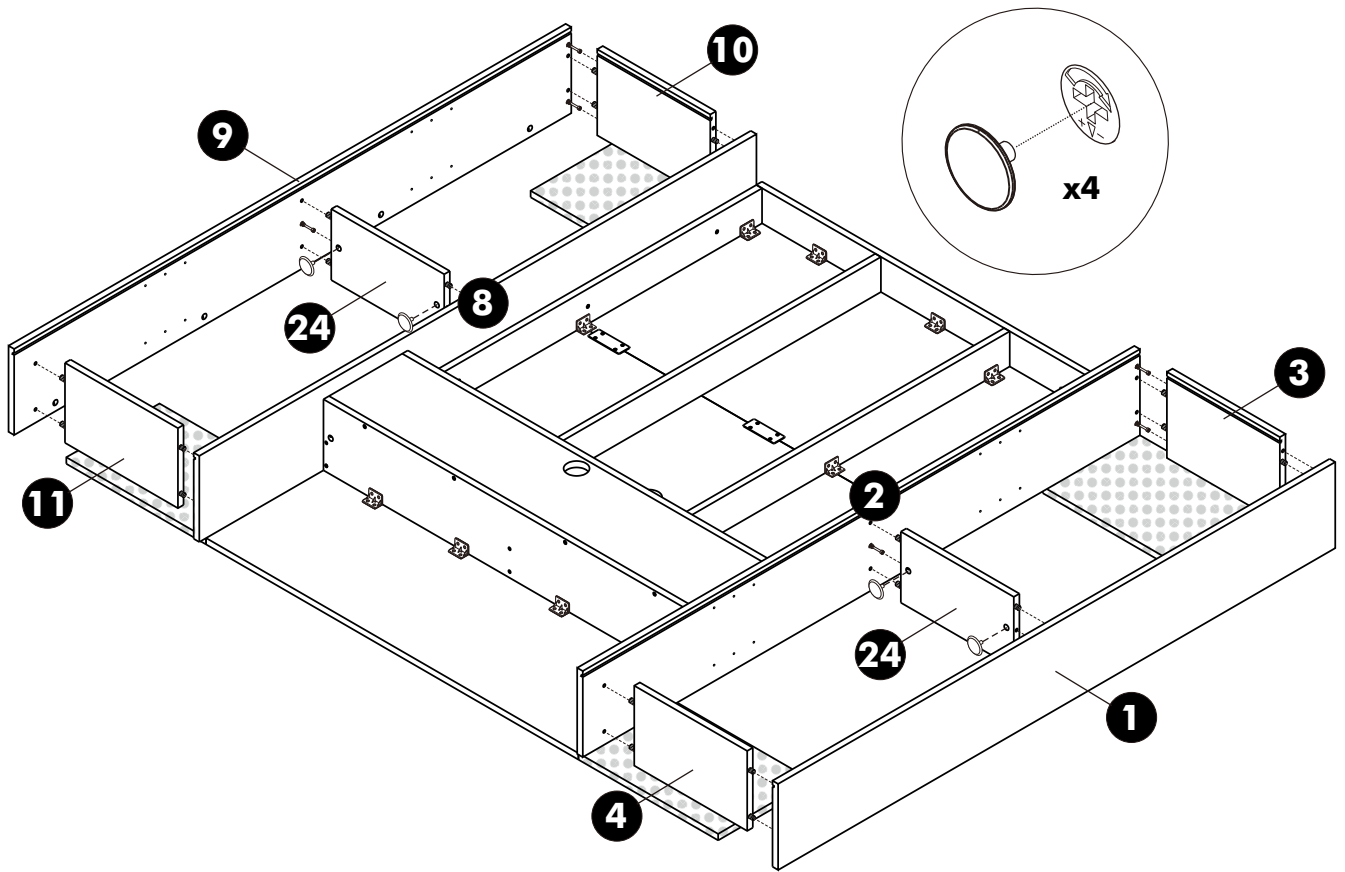
7.



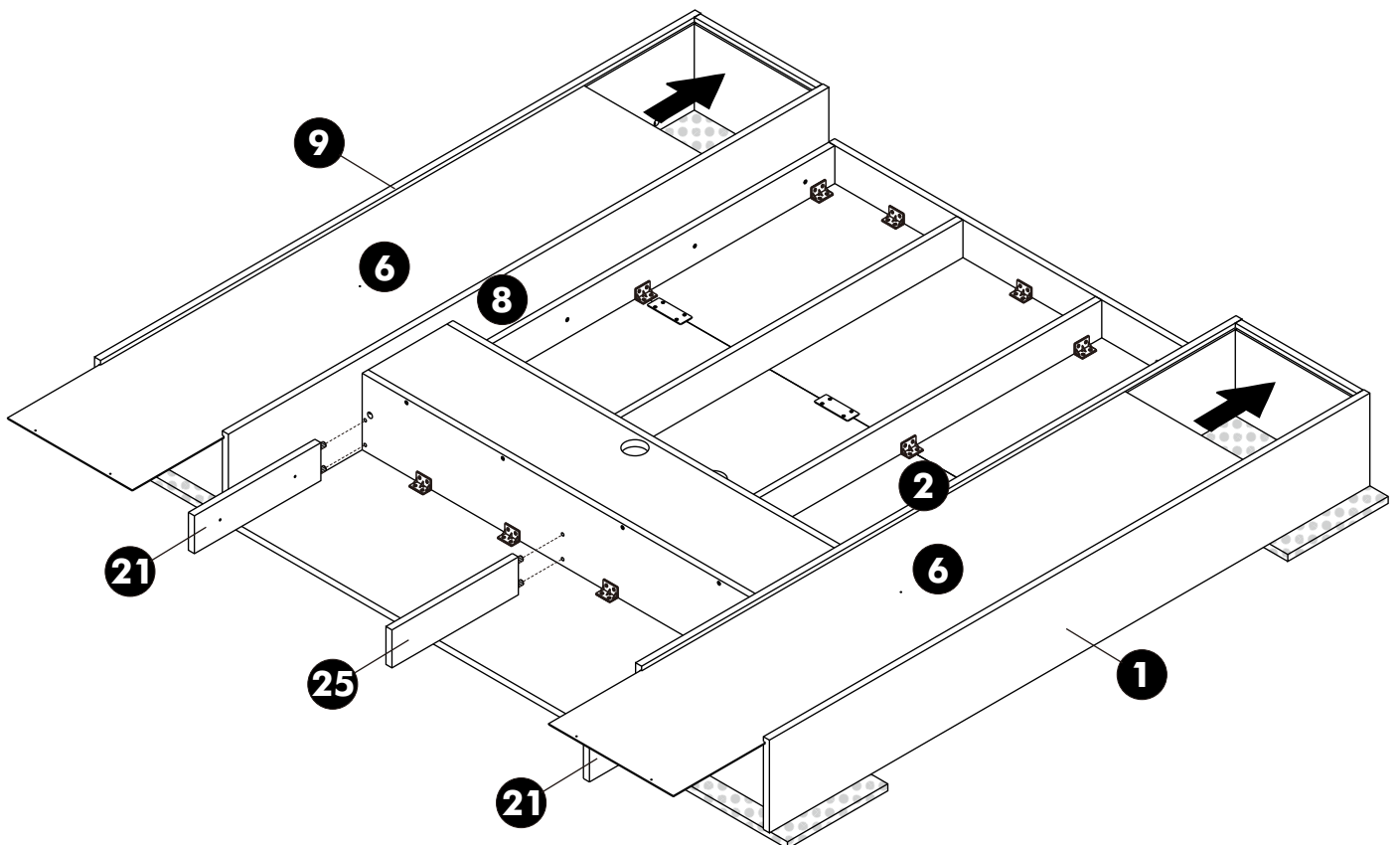
8.



9.

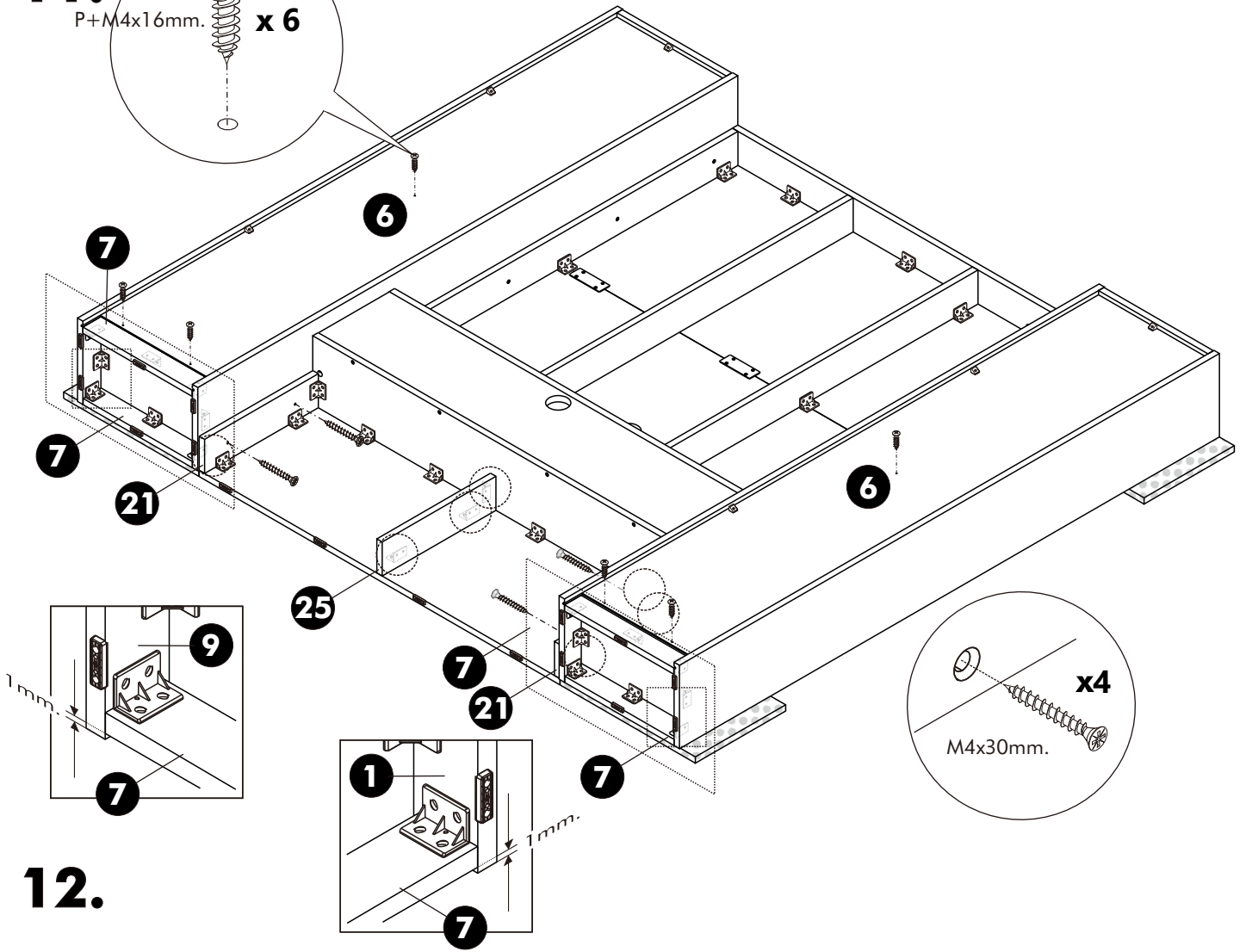
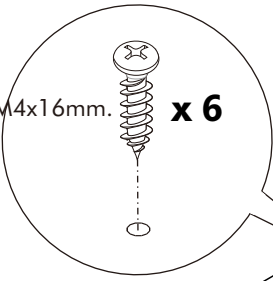


10.



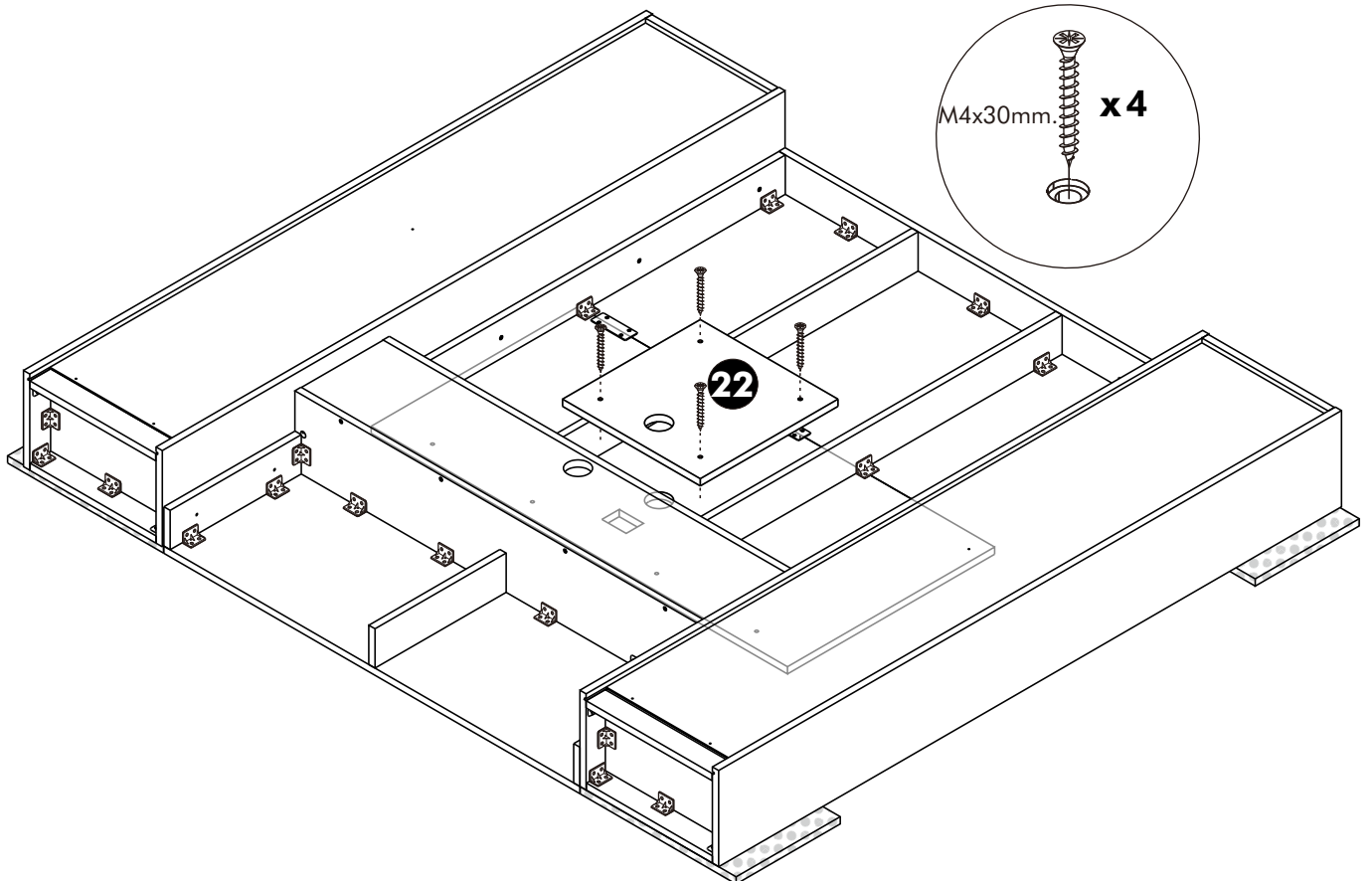
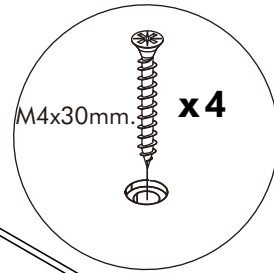
11.

P+M4x16mm. **x 6**

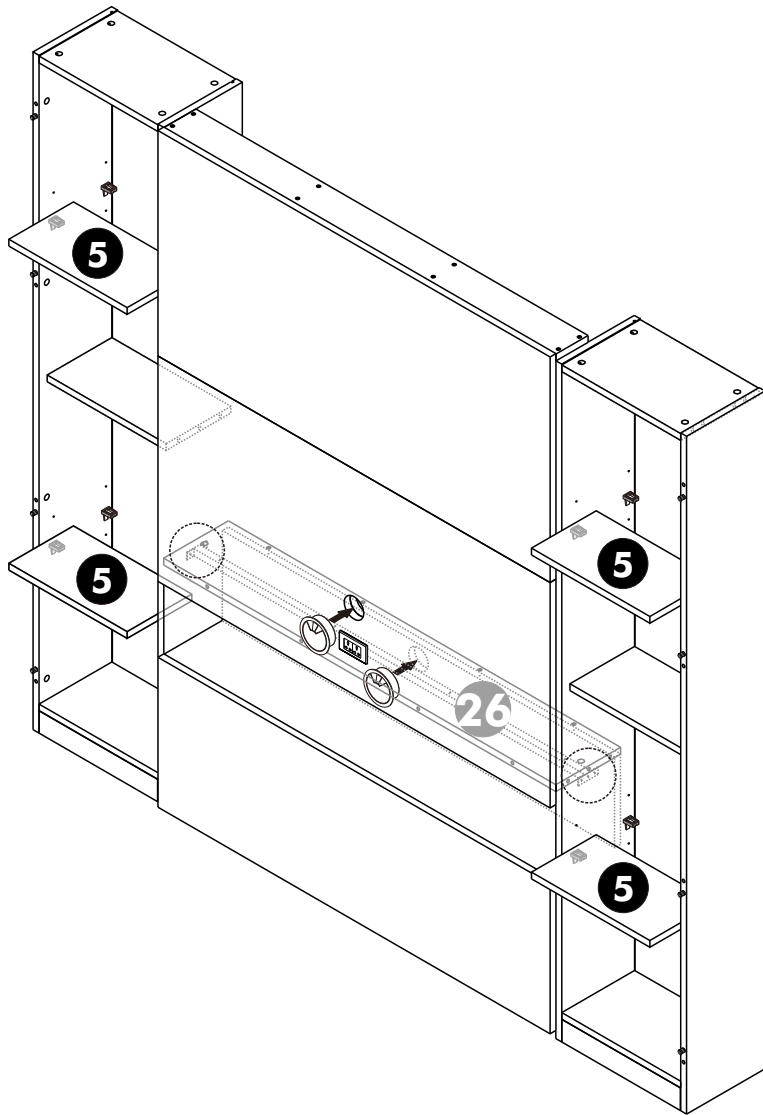
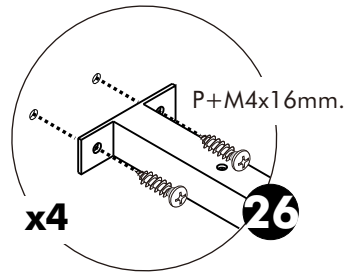
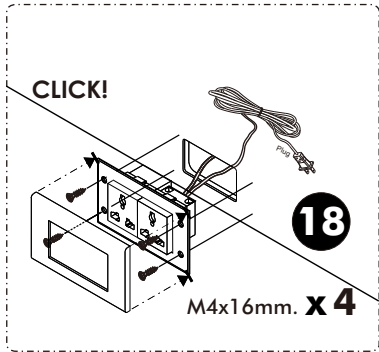
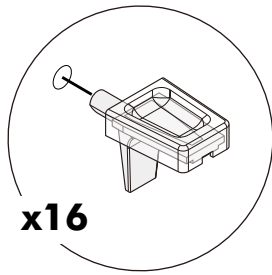


12.

M4x30mm. **x 4**

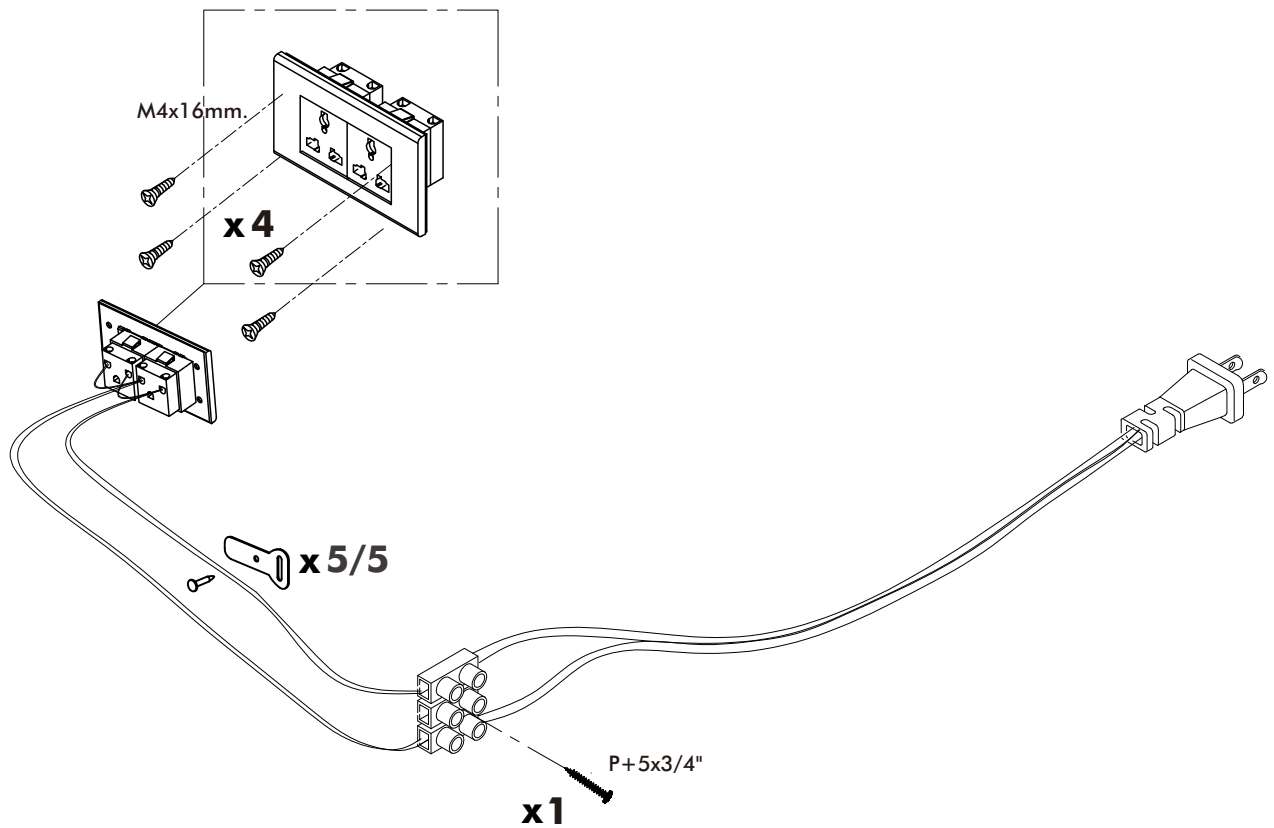


13.



14.

-LAMP SET



15.

