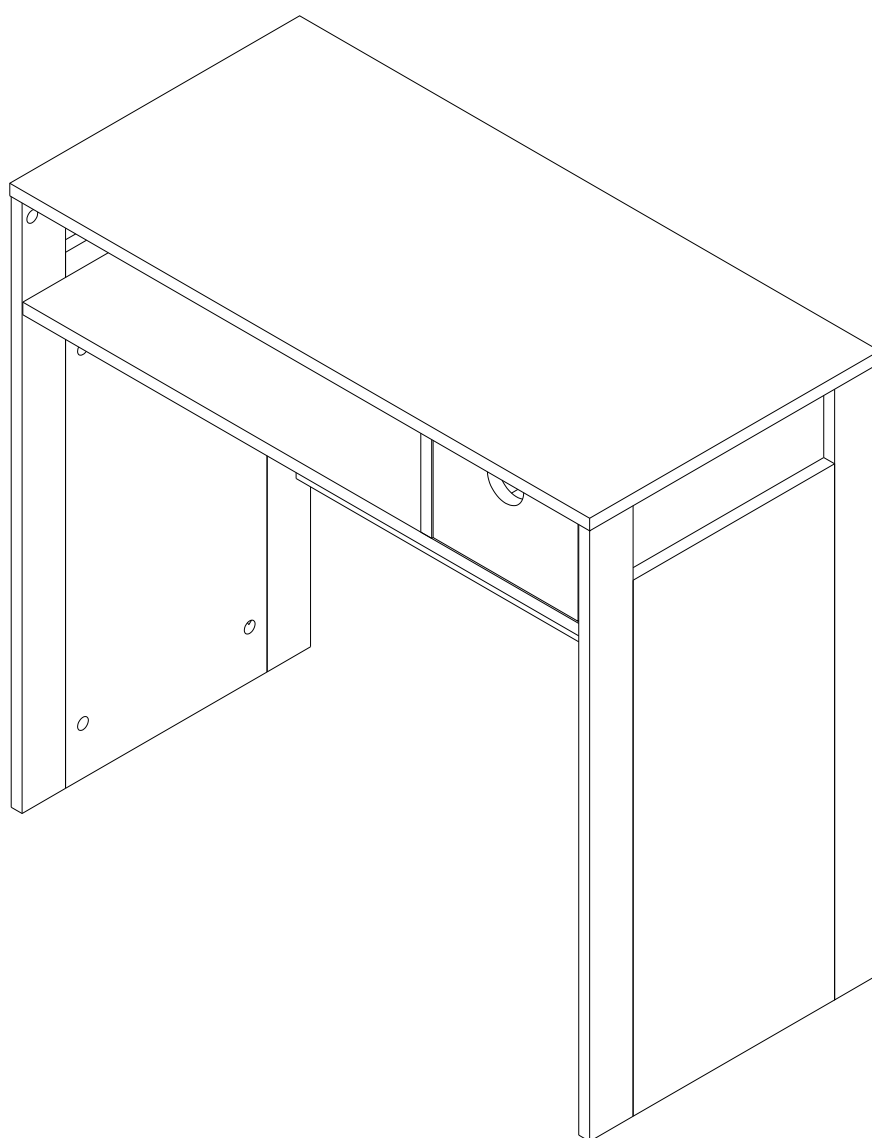


GNOME

Computer Desk 80 cm.



CONNECT SYSTEM

1

3

2

(Connecting bolts)

WHEN FITTING CAMS
ENSURE STARTING POSITION IS CORRECT
BEFORE YOU INSERT CONNECTING BOLT
TURN CLOCKWISE UNTIL SECURE

✓

↑

CORRECT

✗

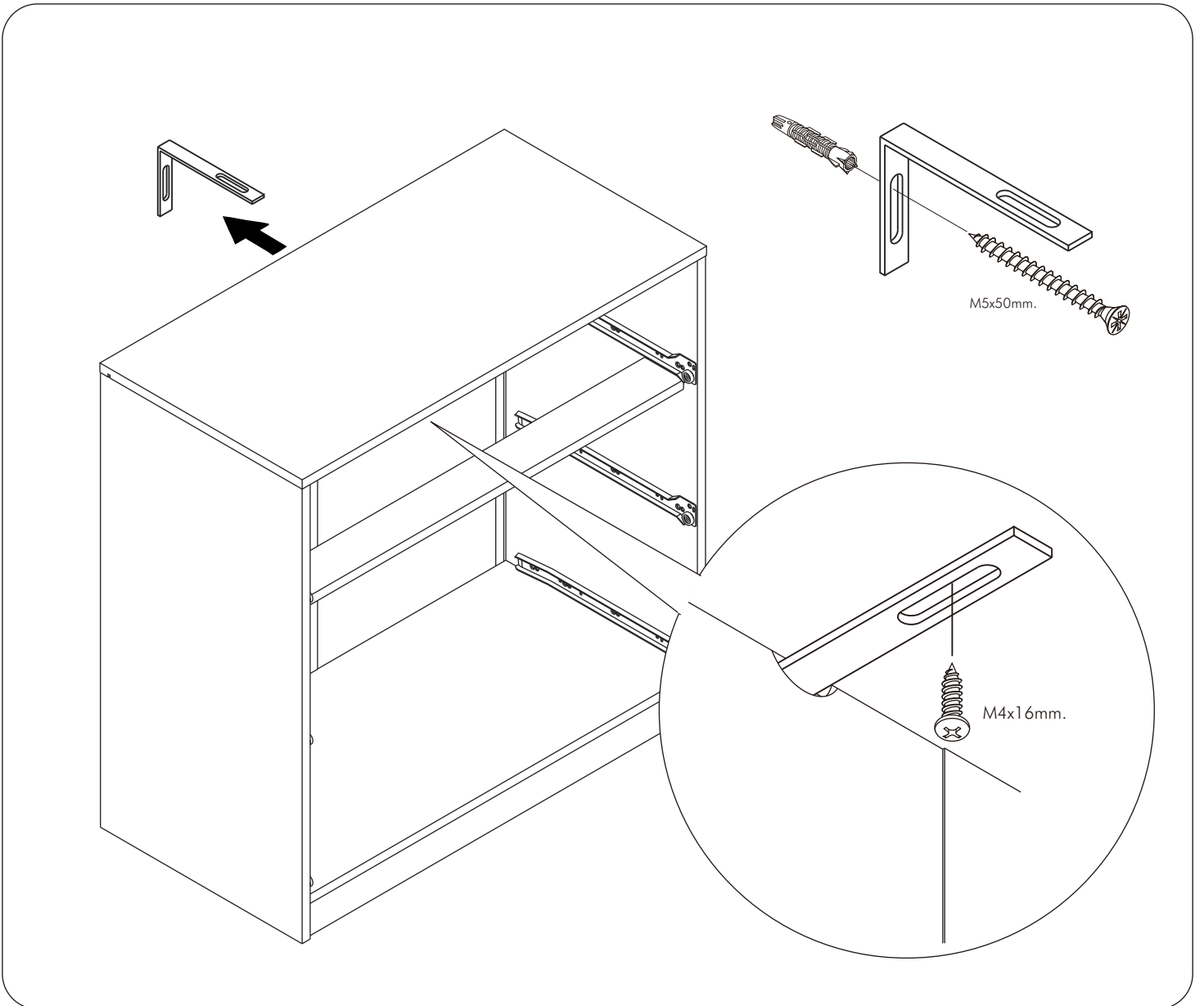
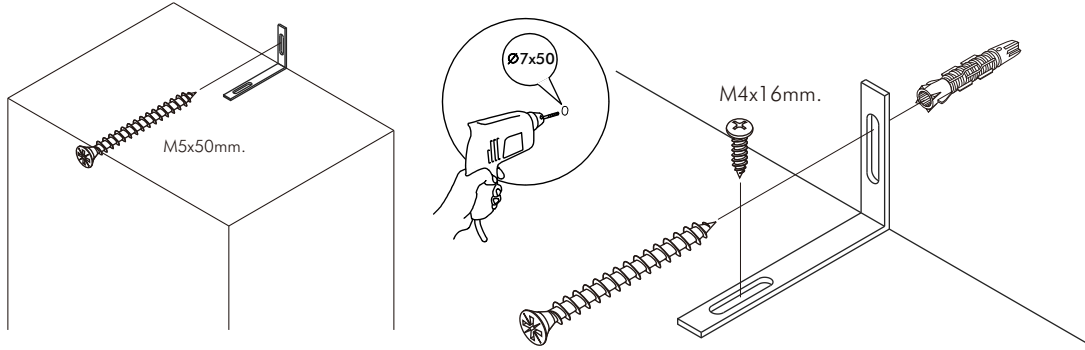
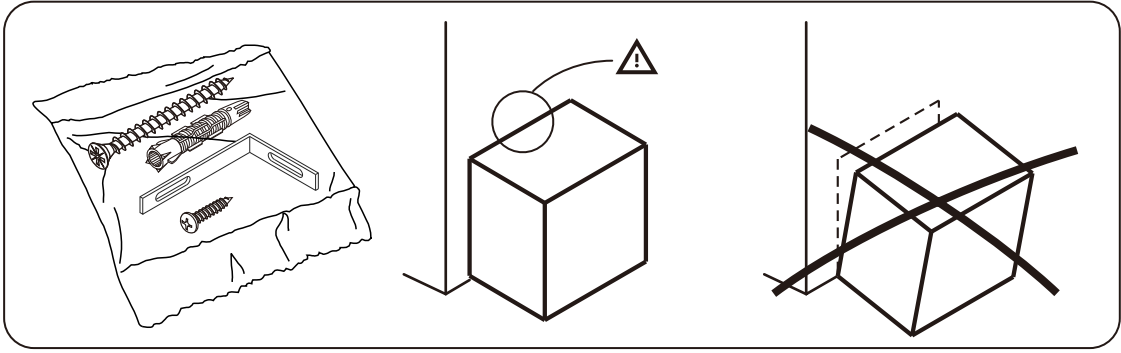
↓

WRONG

i

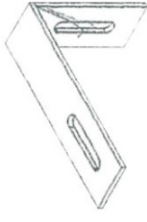
40mm.

EQ

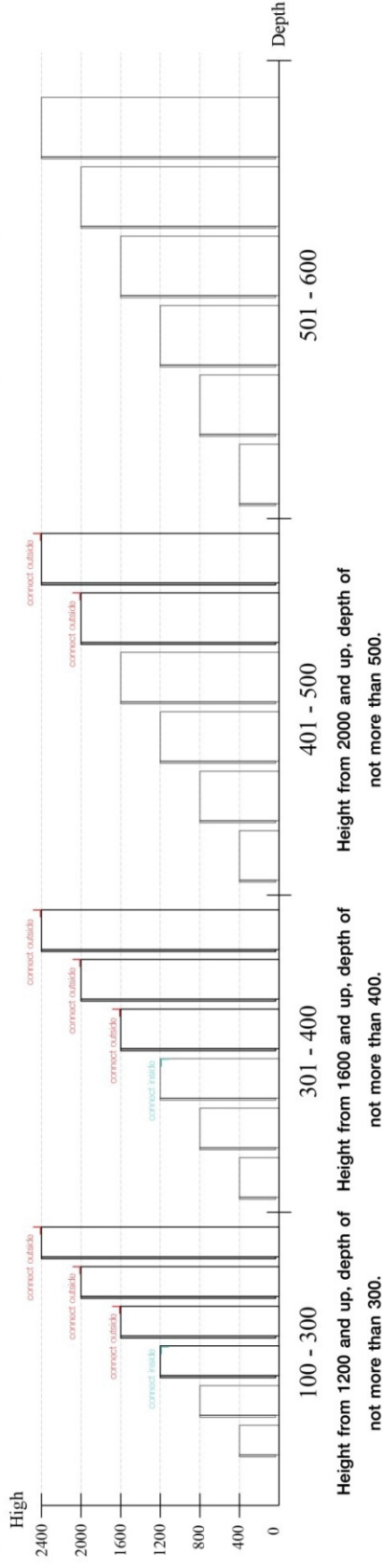


The Standard for identifying which mounted safety fall protection fitting to use **Note : That children's products must be installed with all anti-falling fittings.**

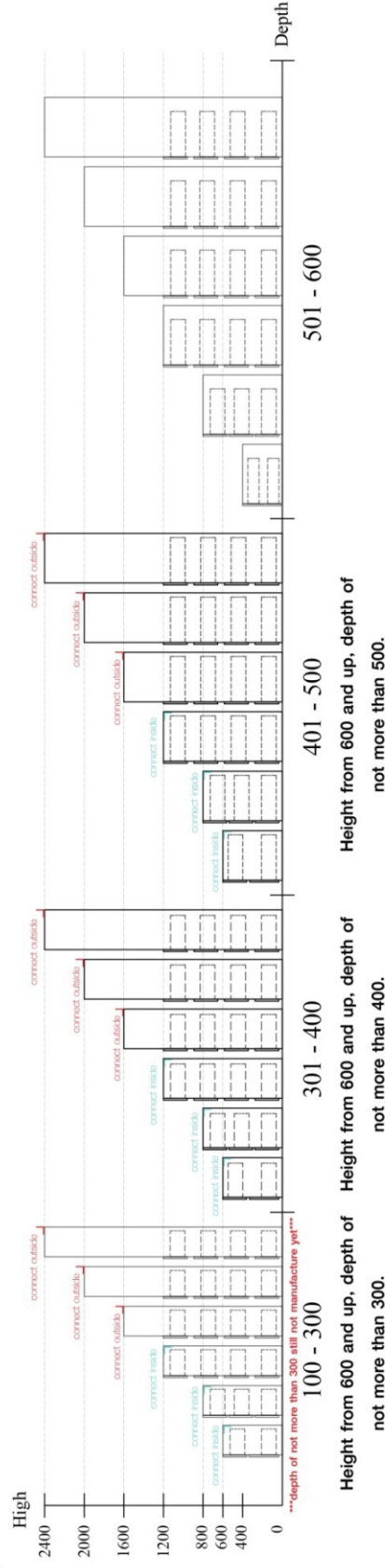
■ Mounted fall protection fittings



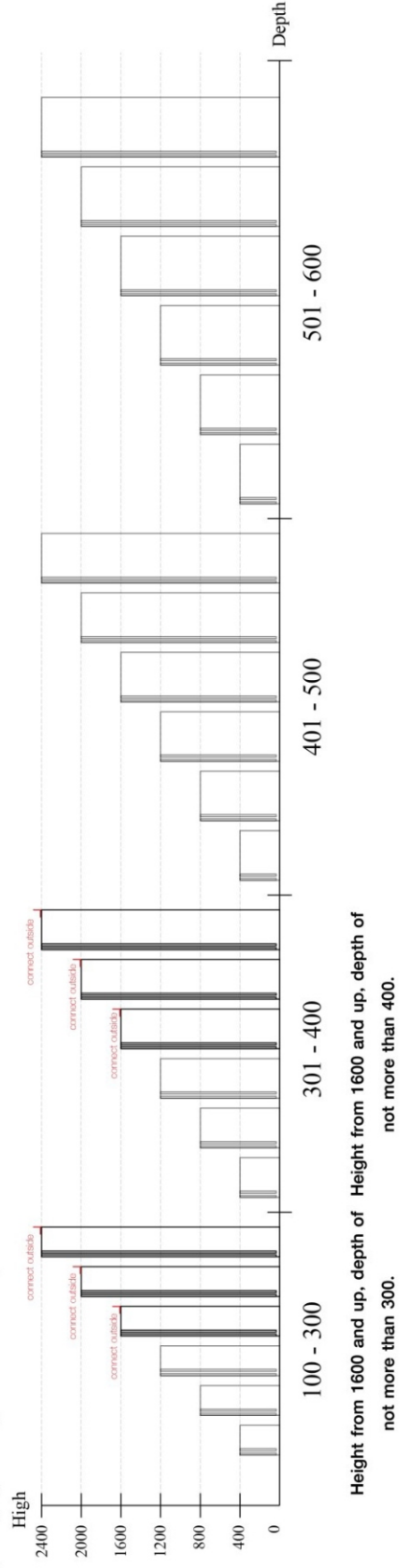
■ Category : Cabinet with open doors



■ Category : Chest of drawers

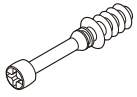


■ Category : Sliding door cabinet / Open cabinet



HARDWARE

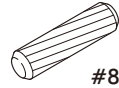
-BODY SET



x 26

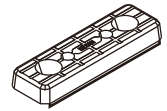


x 26

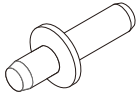


#8x35

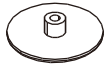
x 30



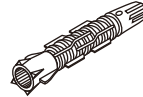
x 4



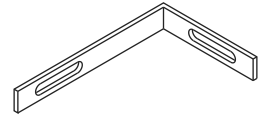
x 2



x 14



x 1



x 1



x 2

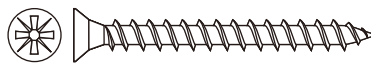


x 11



M5x50mm.

x 1



M4x40mm.

x 13



M4x16mm.

x 8



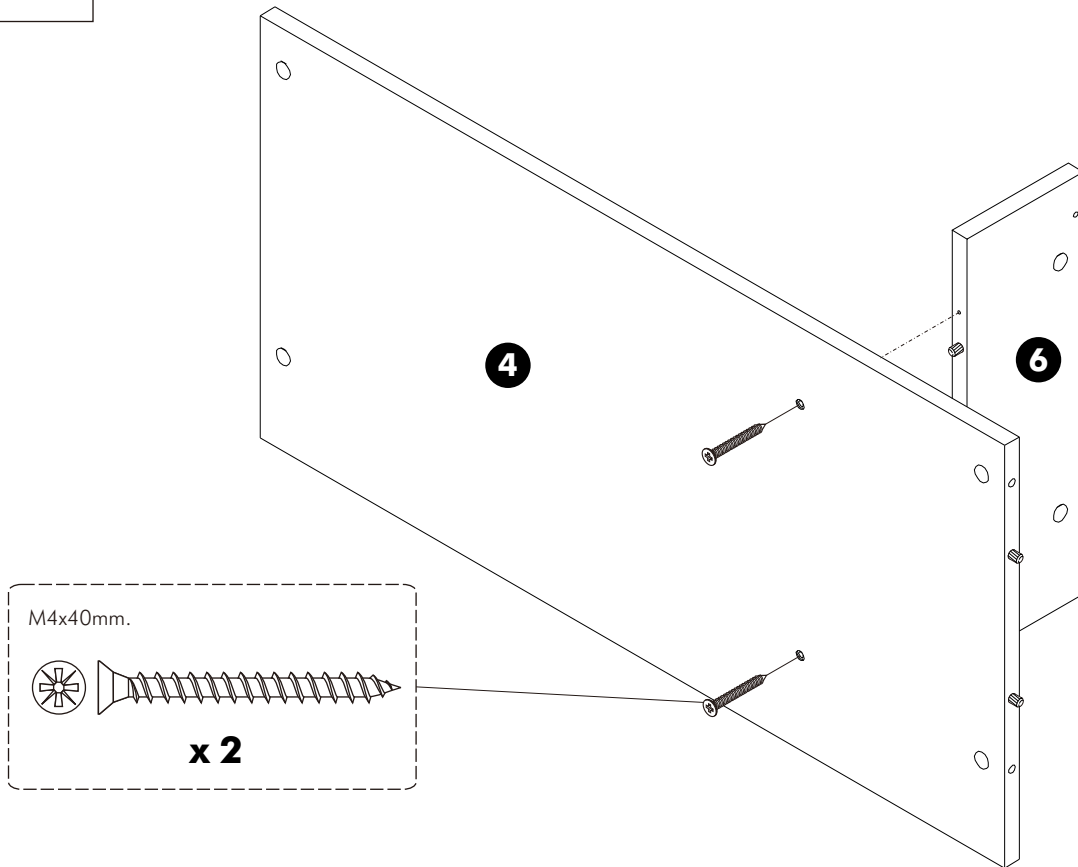
M4x16mm.

x 1

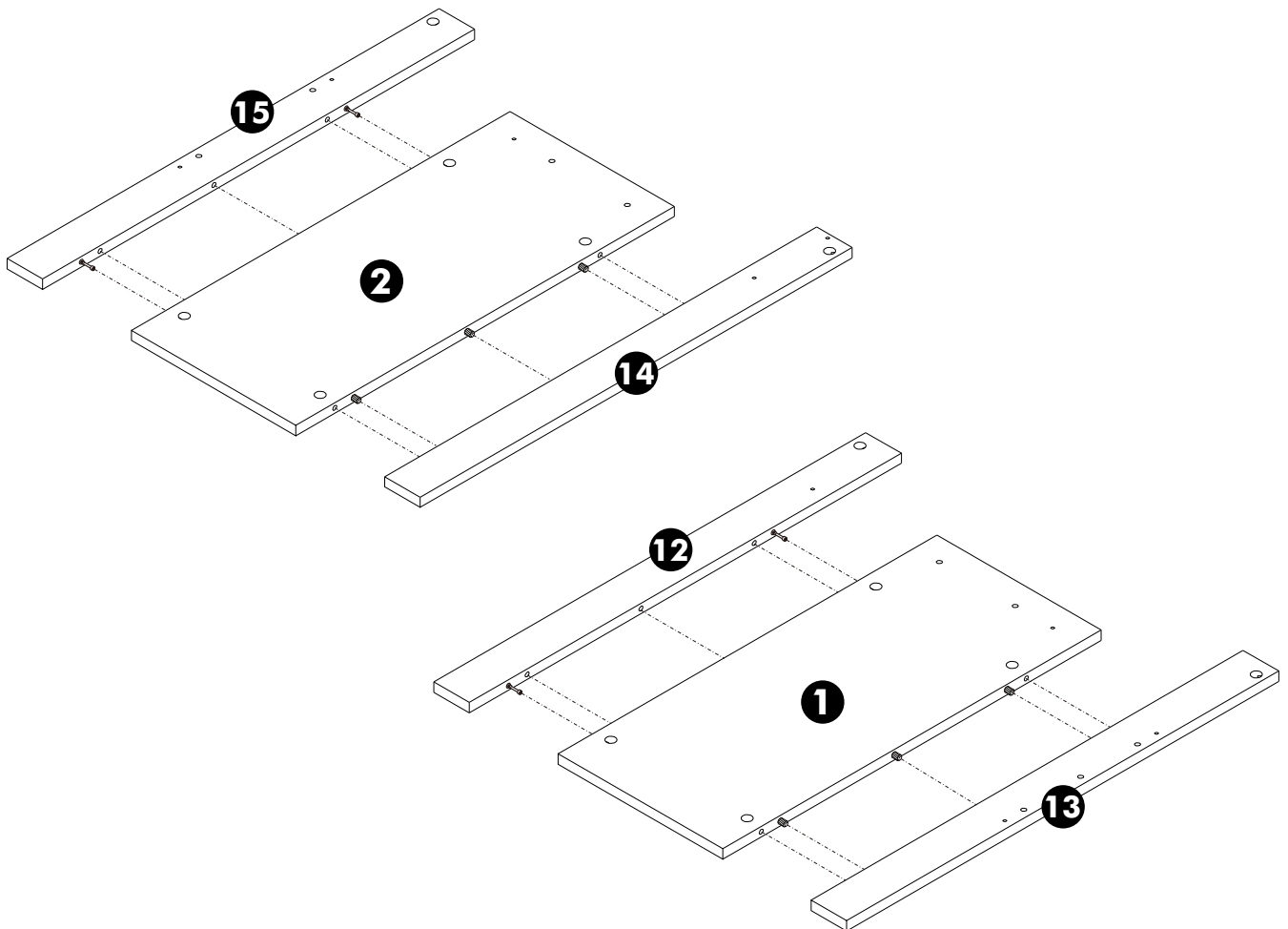
ASSEMBLY

-BODY SET

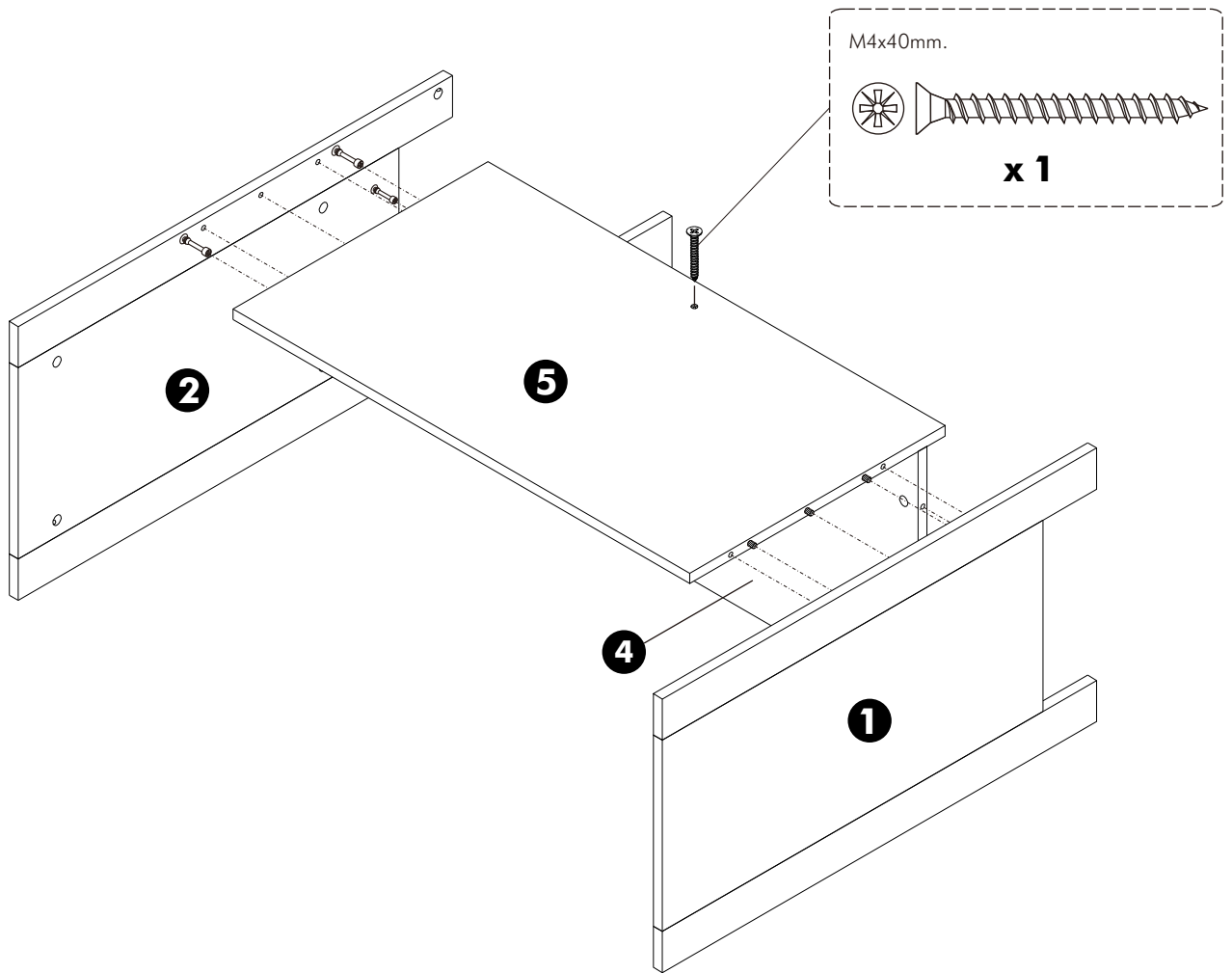
1.



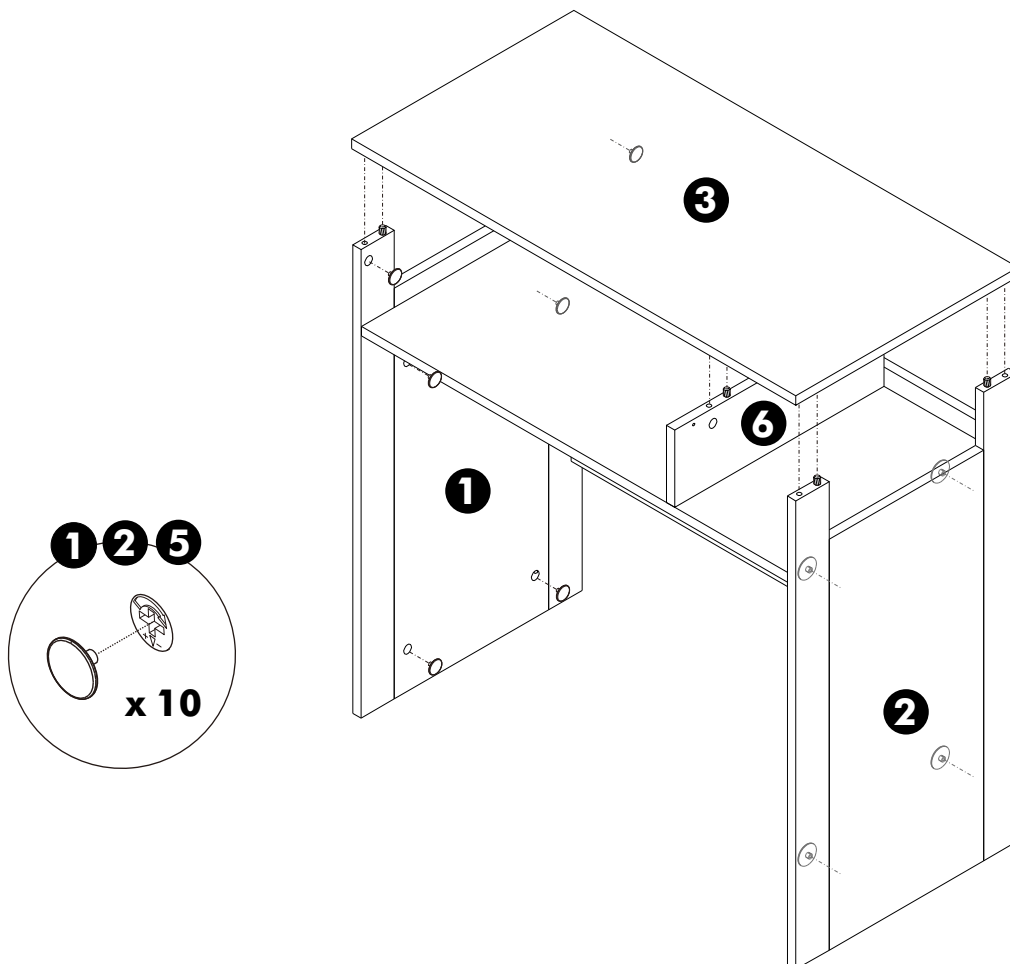
2.



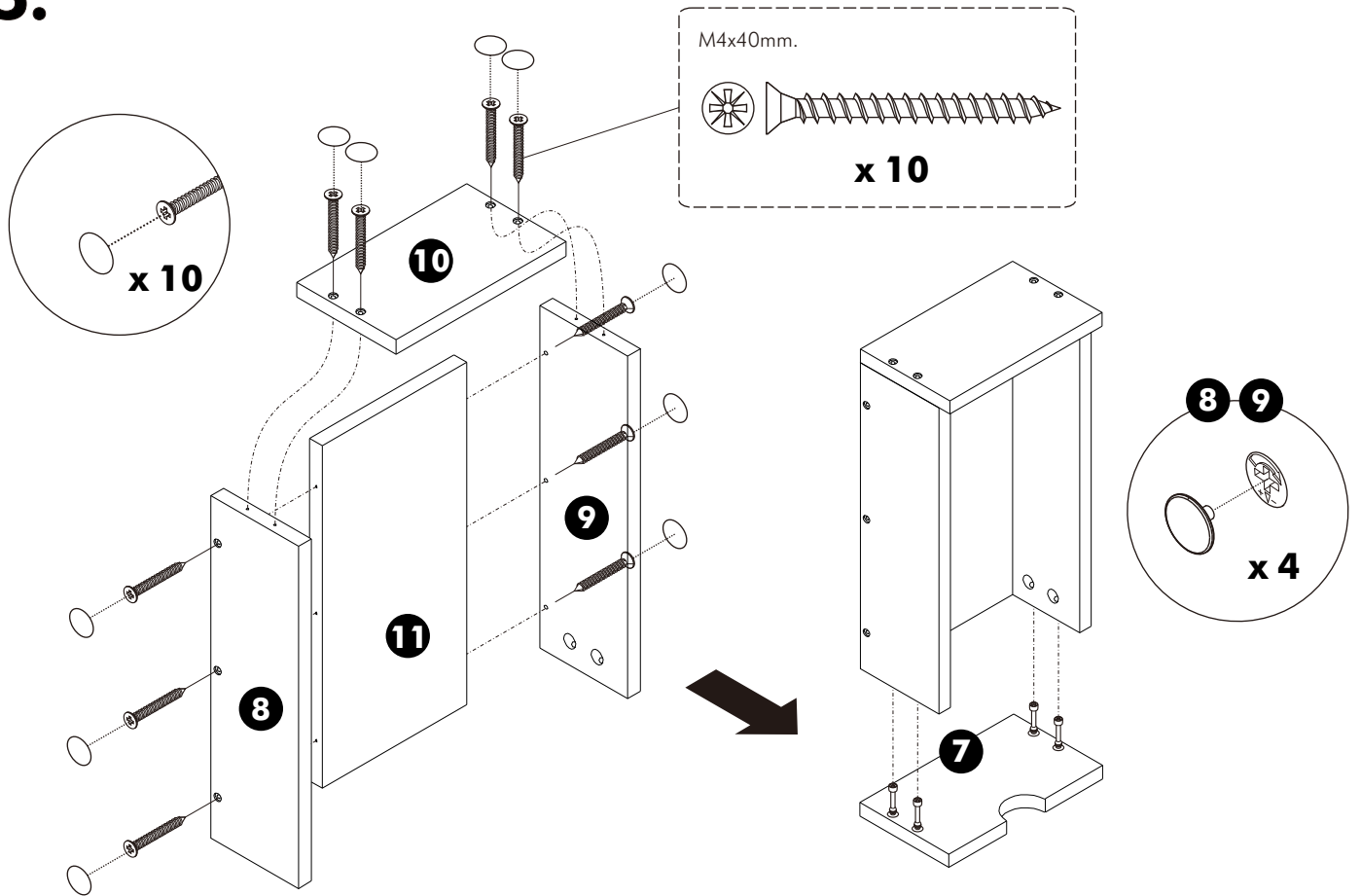
3.



4.



5.



6.

