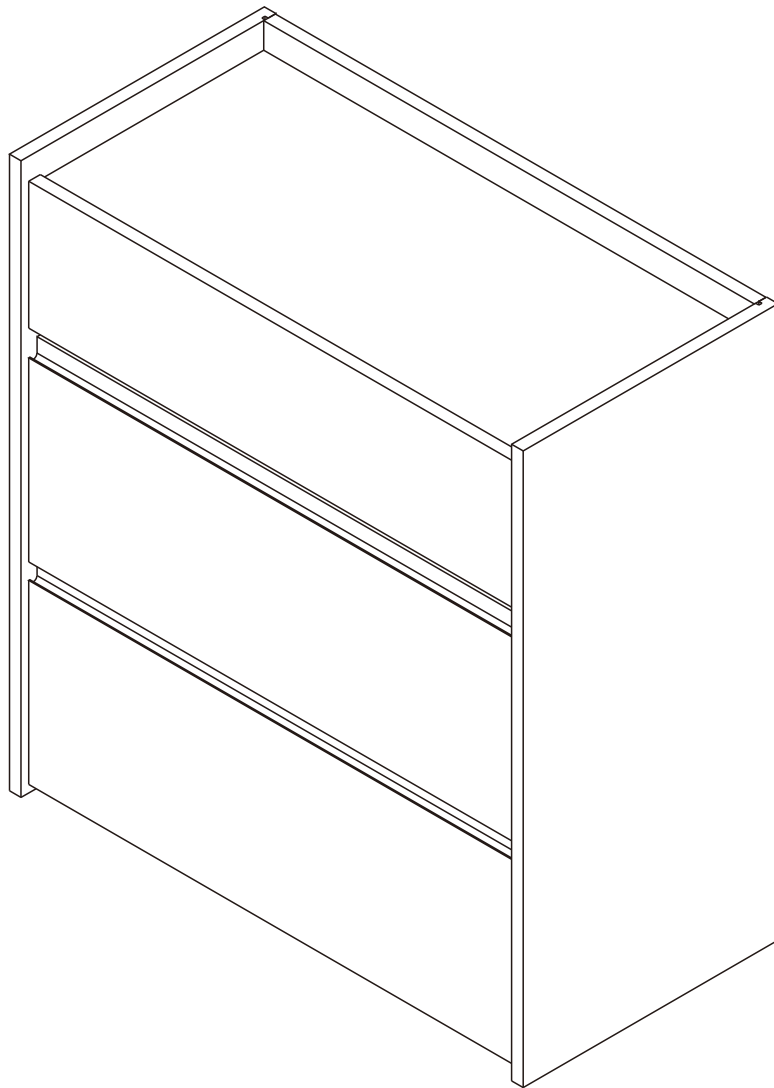
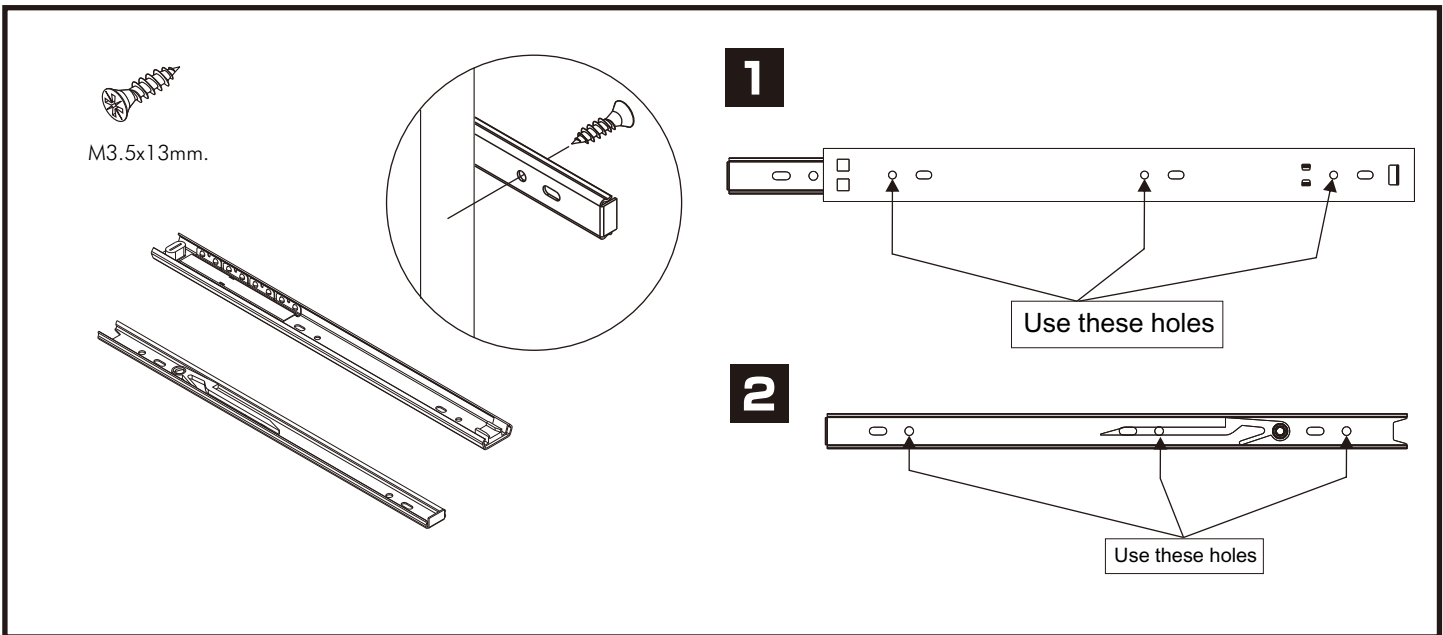
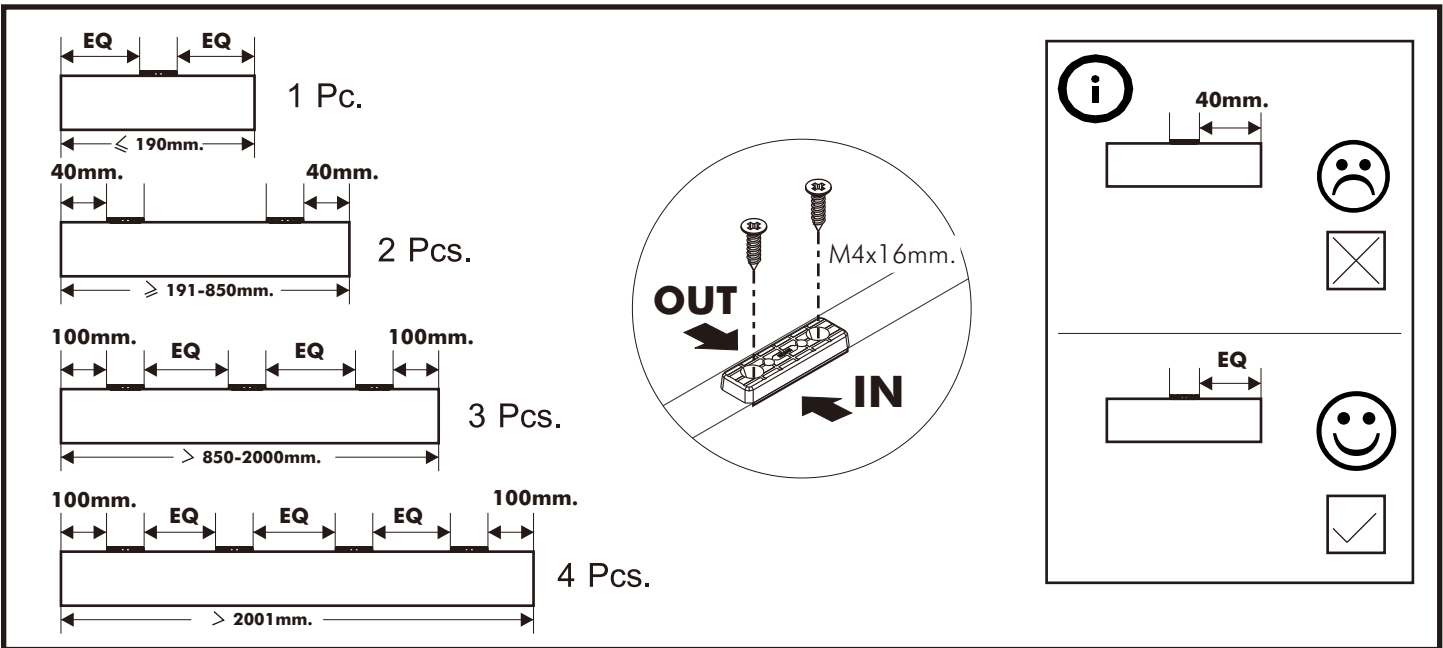
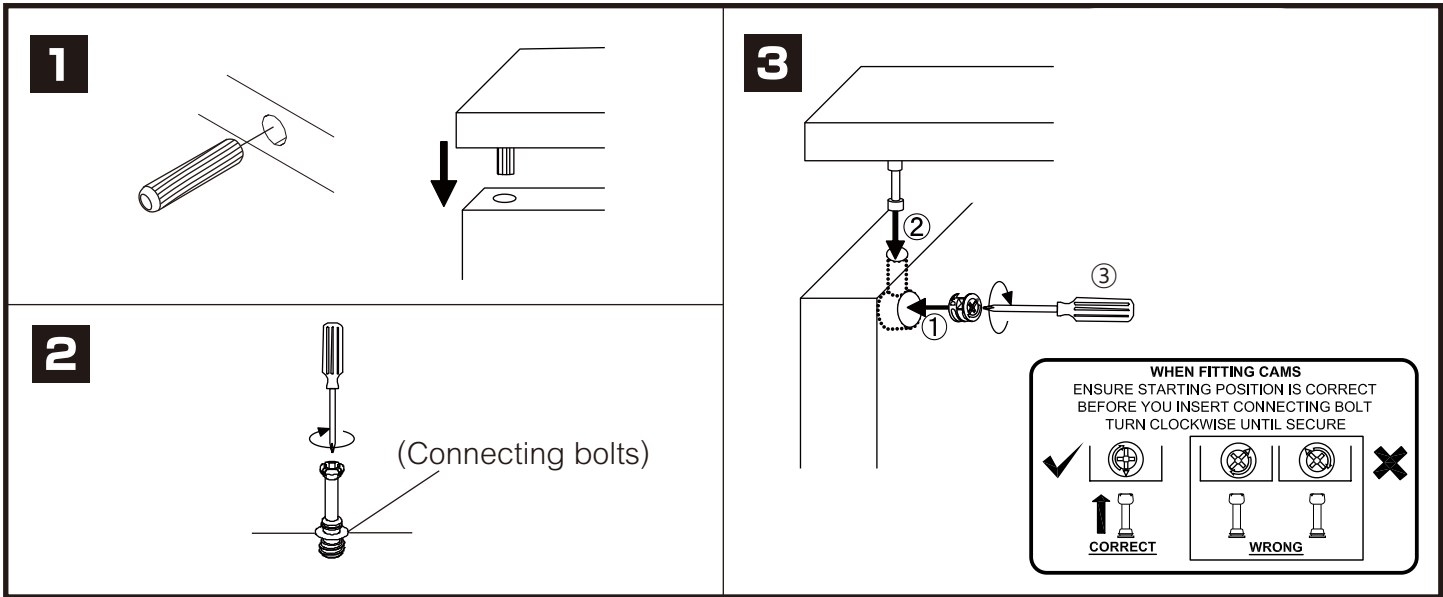


CARRARA-P

Chest 3 Drawer

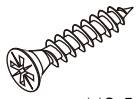
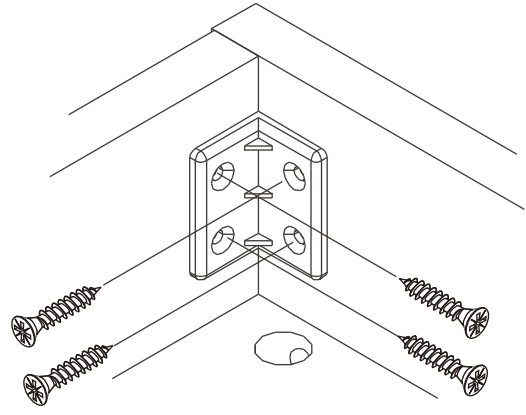
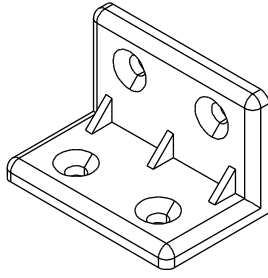


CONNECT SYSTEM

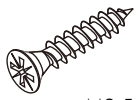
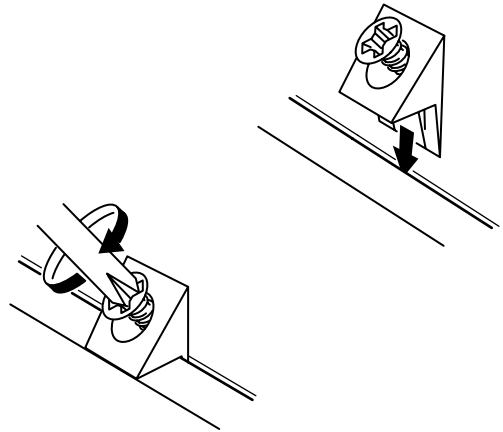
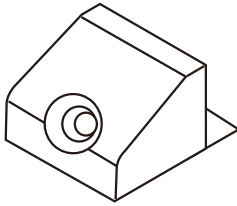




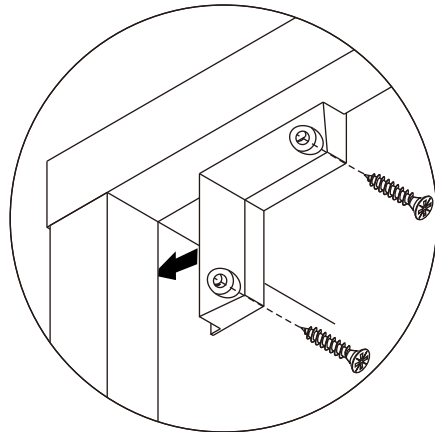
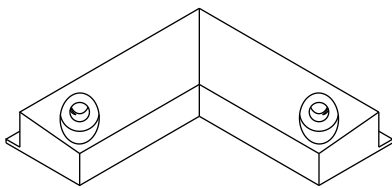
M4x16mm.

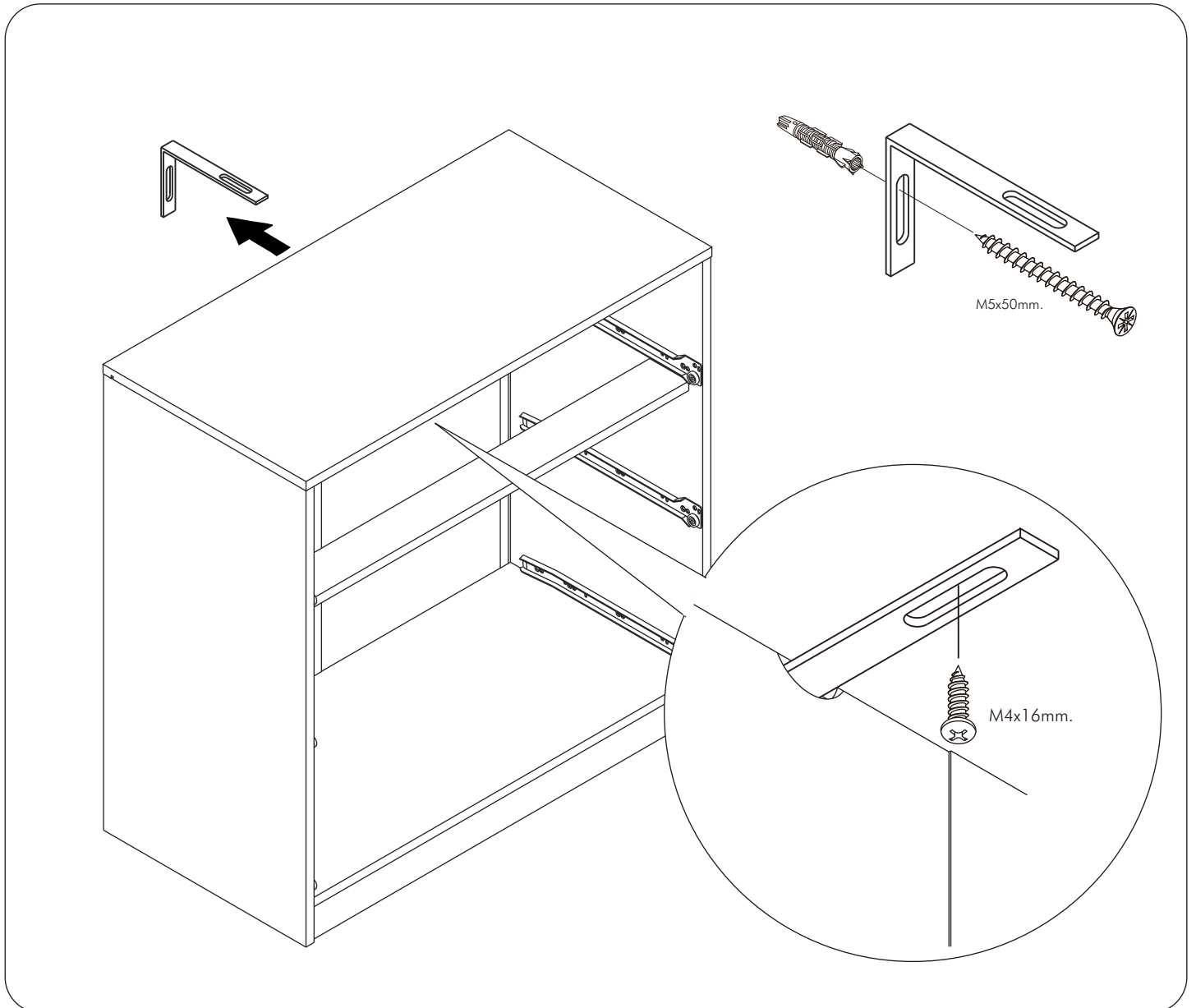
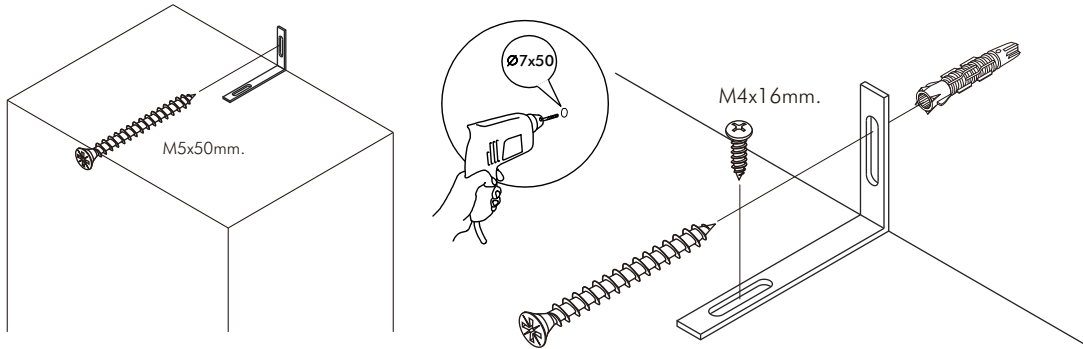
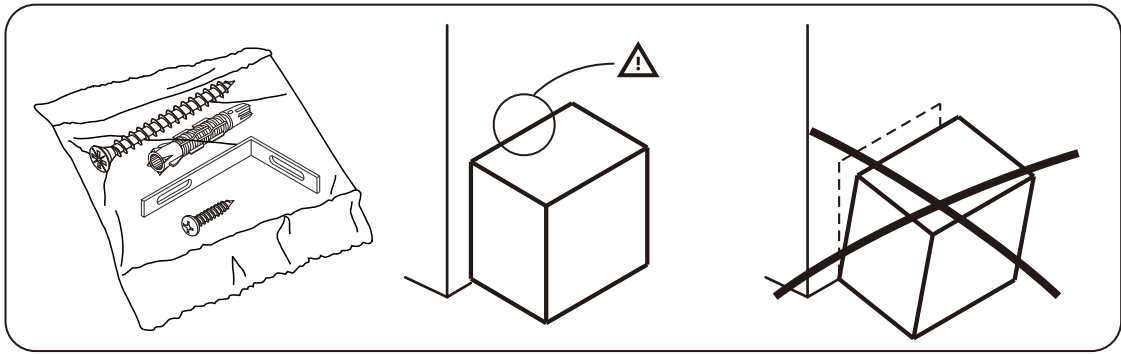


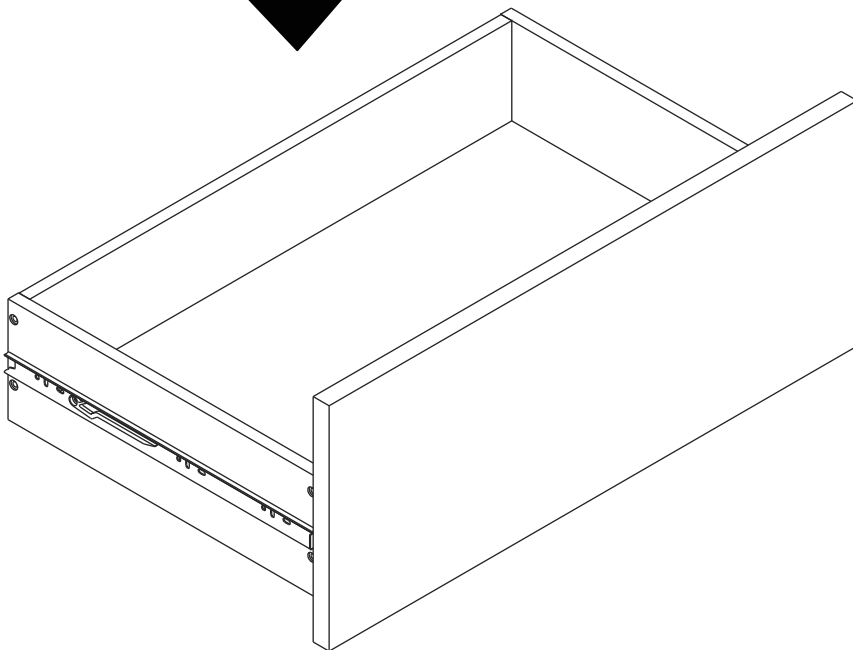
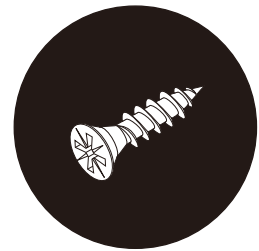
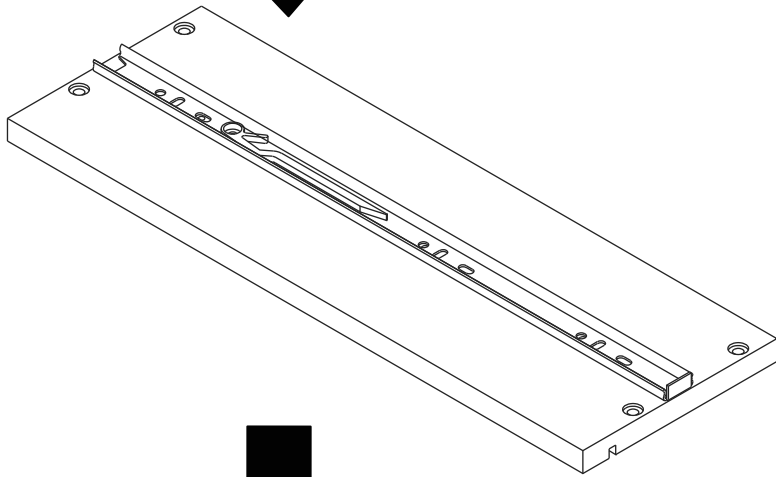
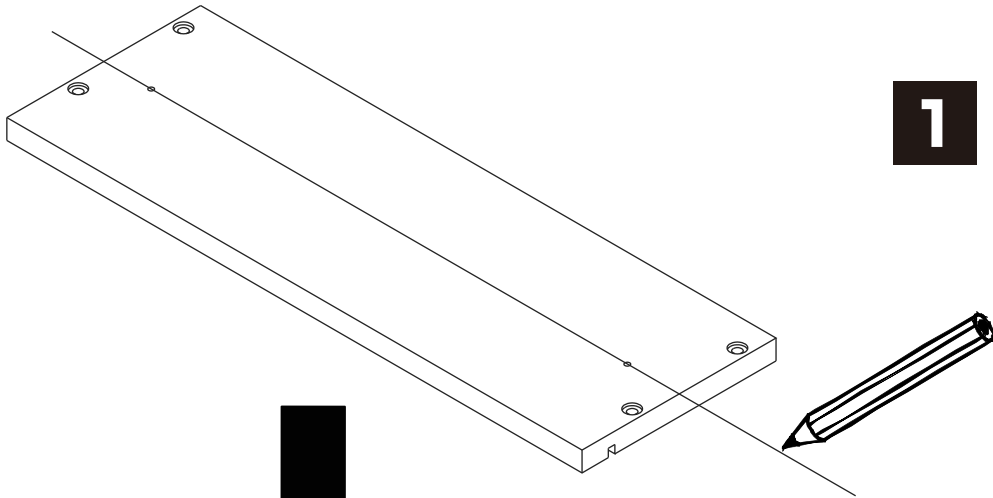
M3.5x20mm.



M3.5x20mm.

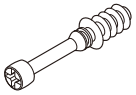






HARDWARE

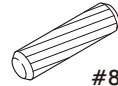
-BODY SET



x 4

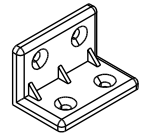


x 4

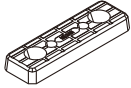


#8x35

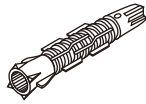
x 12



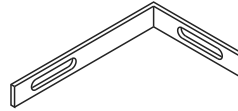
x 12



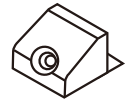
x 8



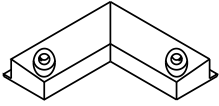
x 1



x 1



x 4



x 2



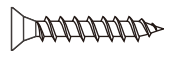
M4x16mm.

x 64



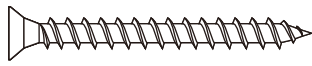
M4x16mm.

x 6



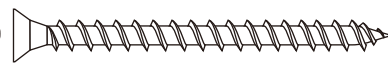
M3.5x20mm.

x 8



M4x40mm.

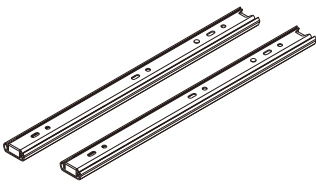
x 4



M5x50mm.

x 1

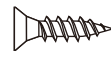
-DRAWER SET



x 3

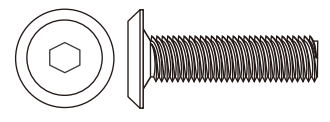


x 1



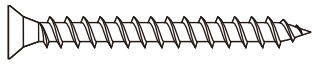
M3.5x13mm.

x 36



M6x23mm.

x 9



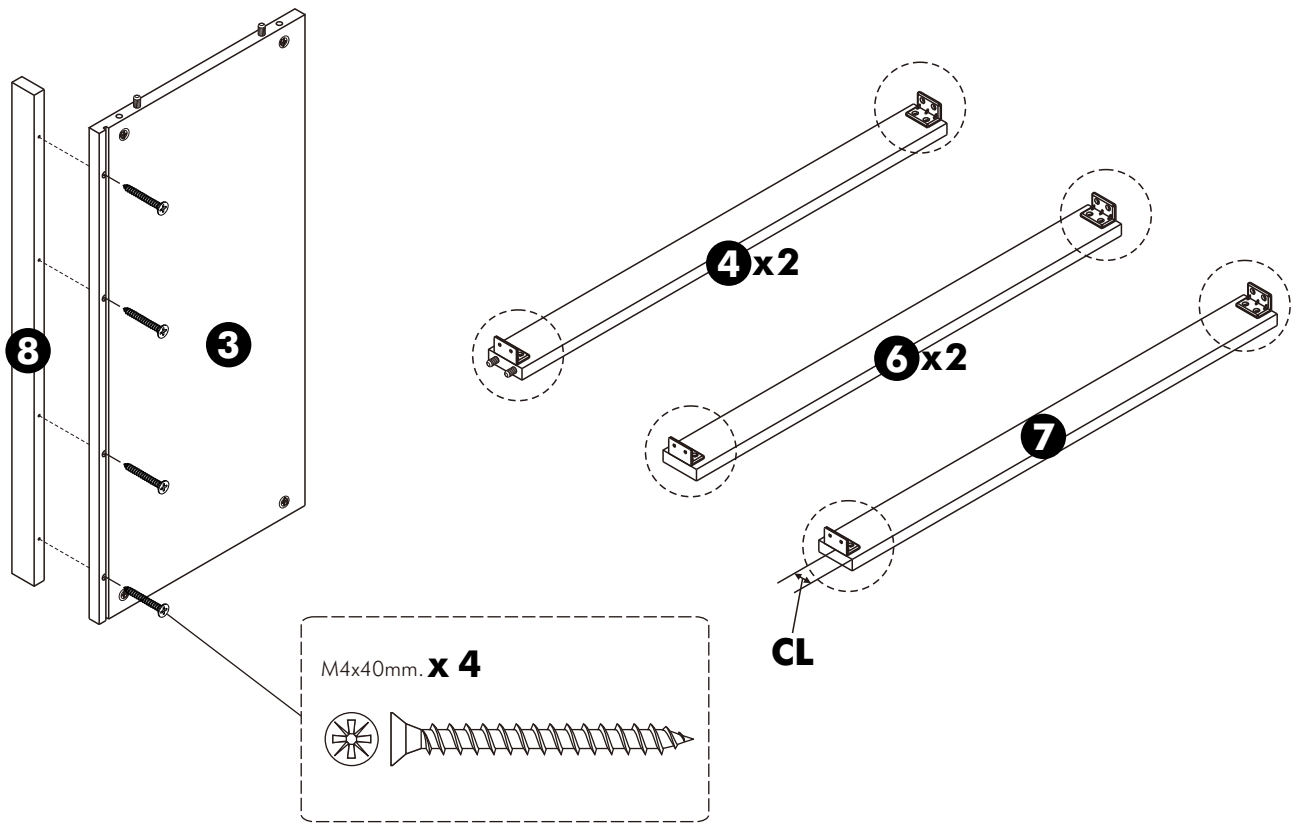
M4x40mm.

x 36

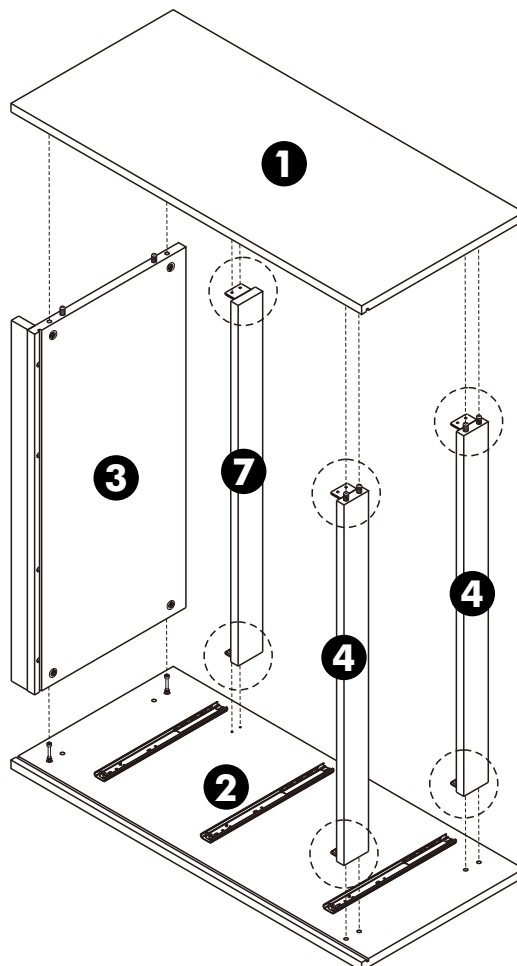
ASSEMBLY

-BODY SET

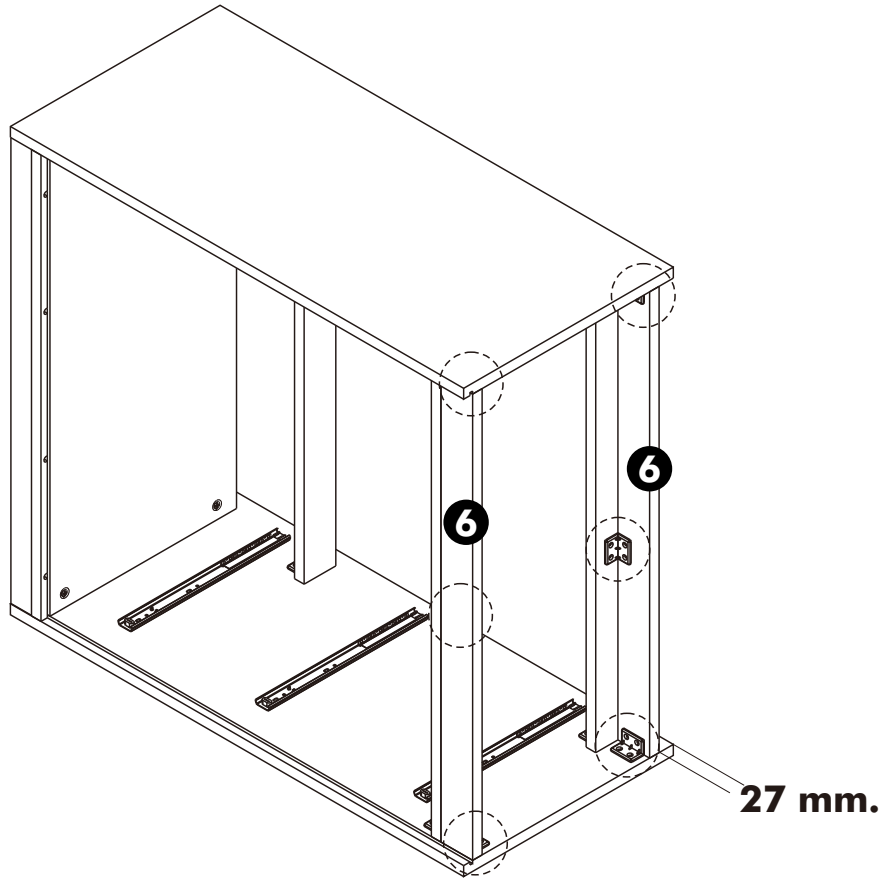
1.



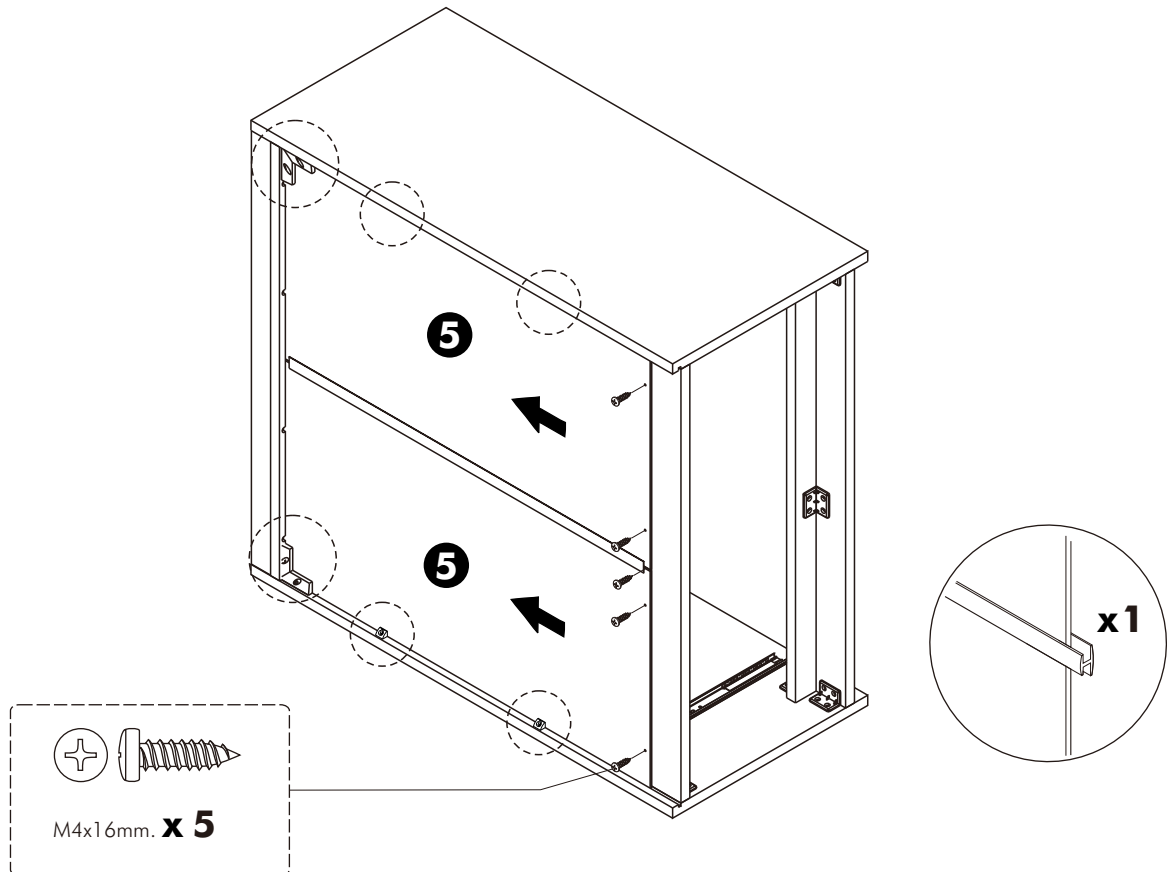
2.



3.



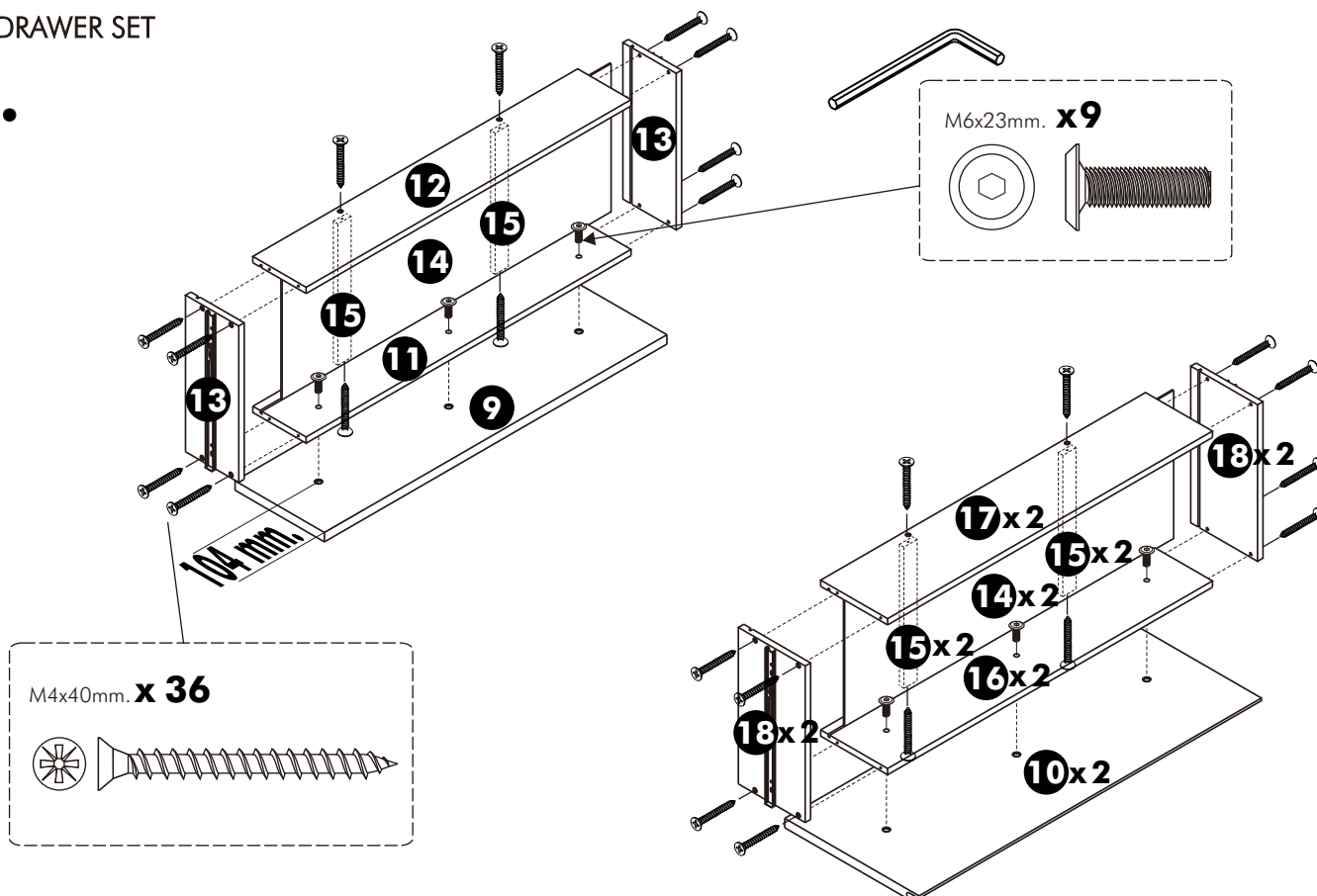
4.



ASSEMBLY

-DRAWER SET

5.



6.

