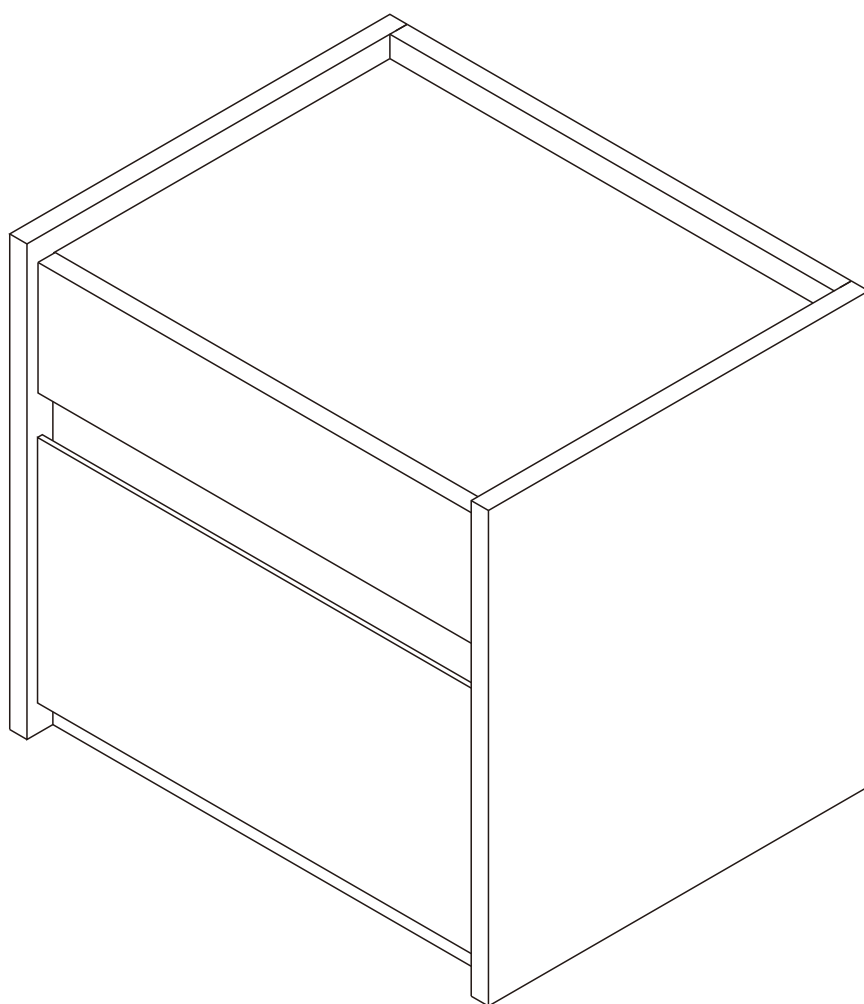
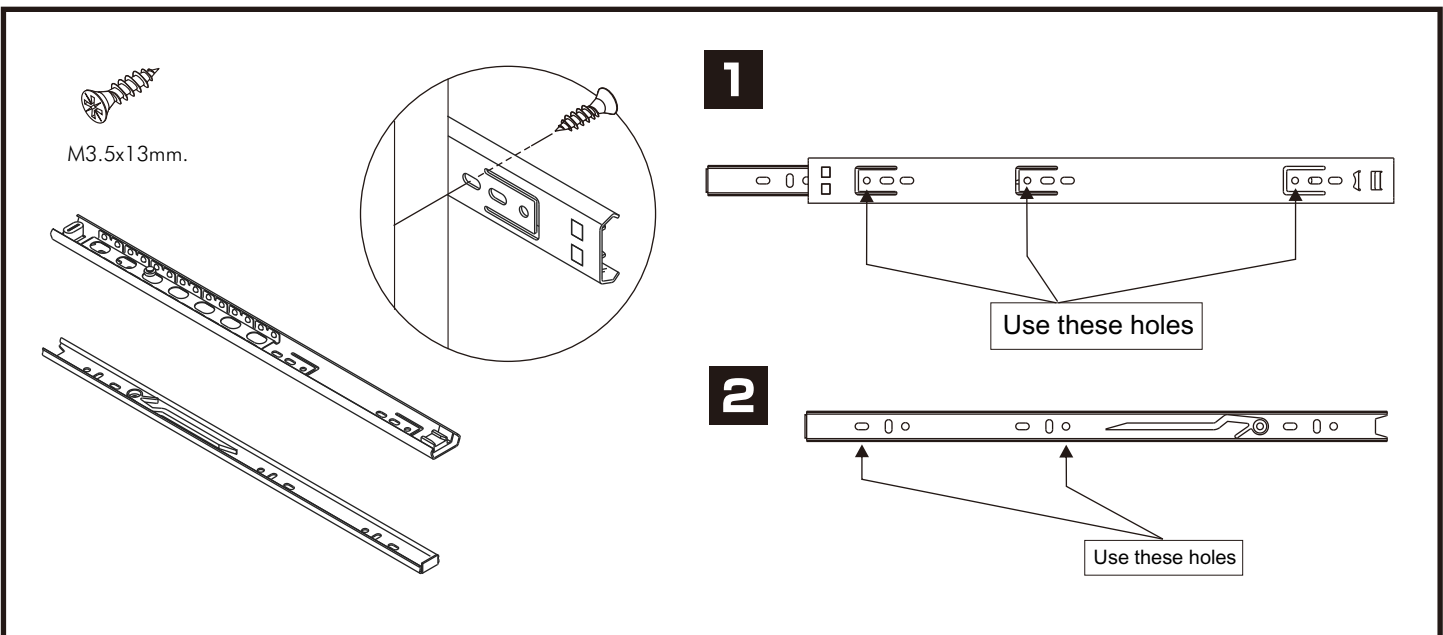
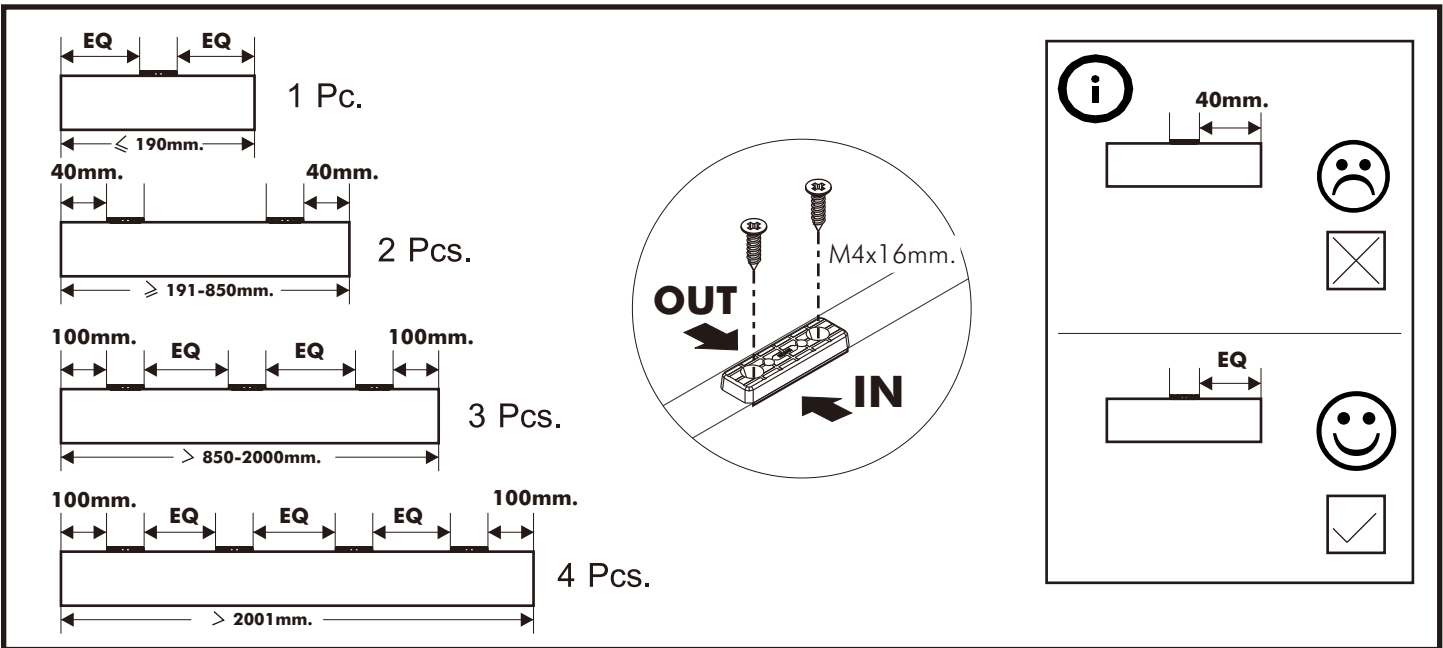
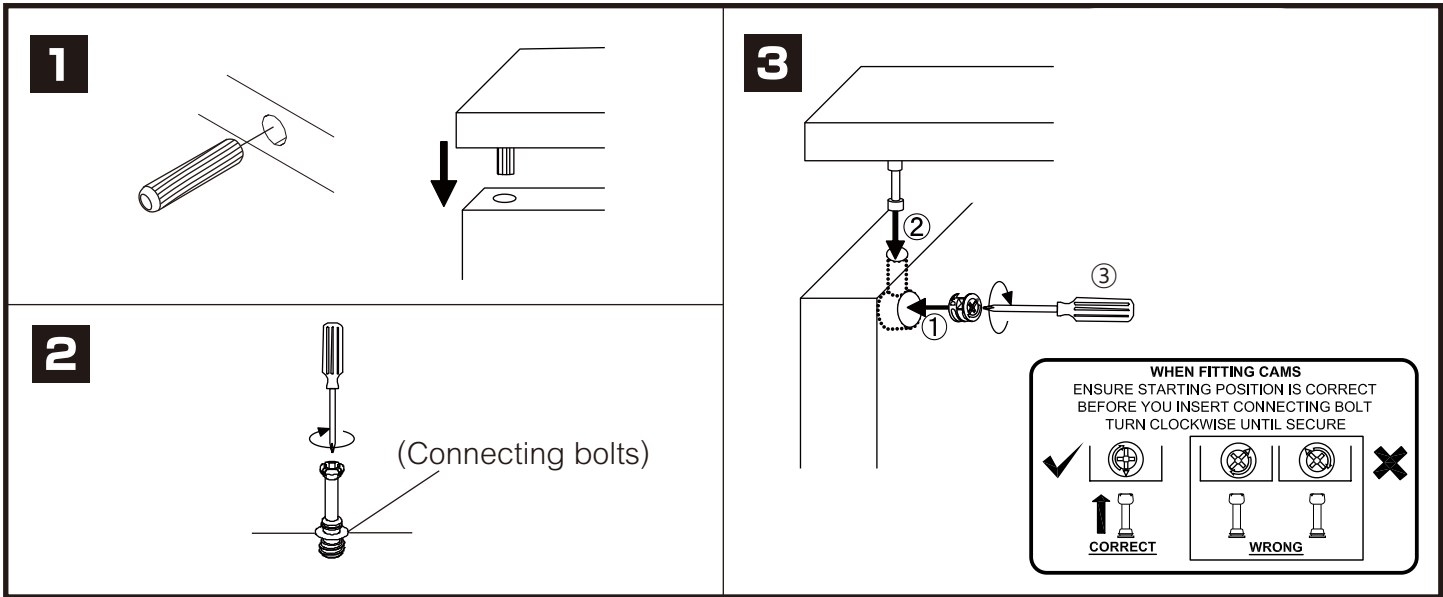


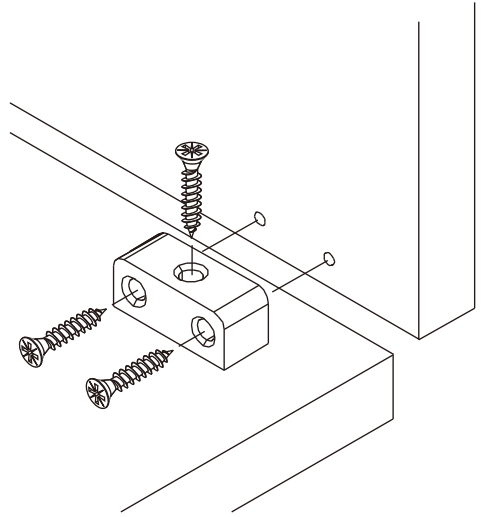
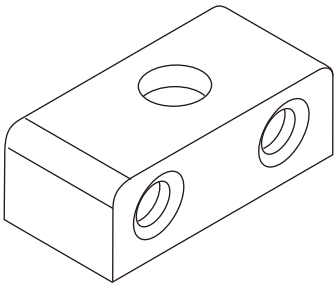
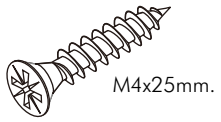
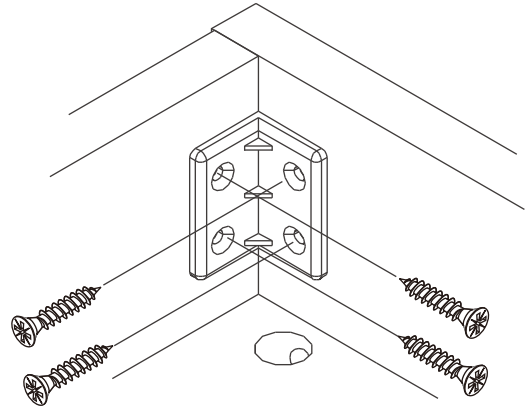
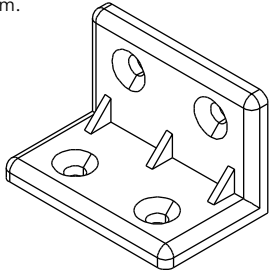
CARRARA-P

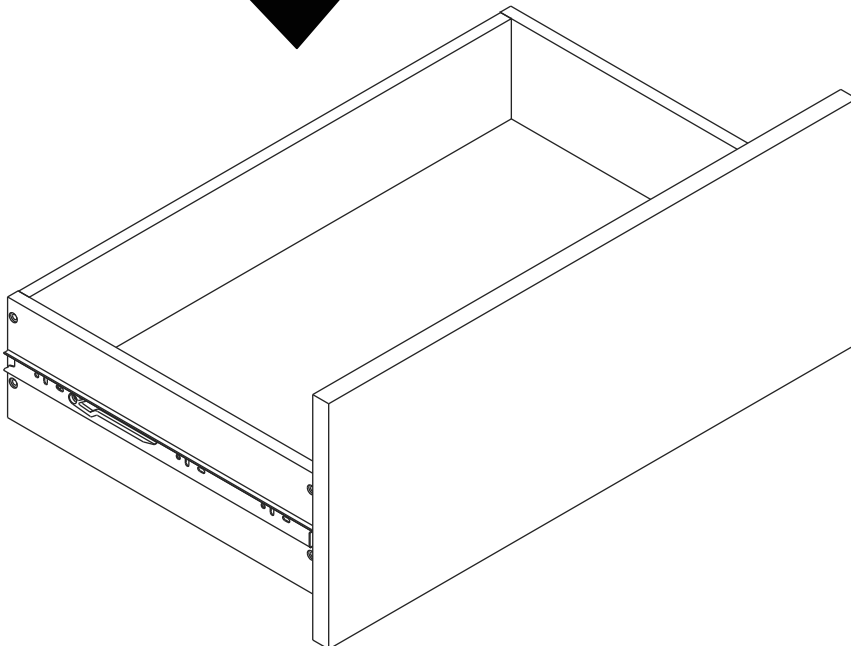
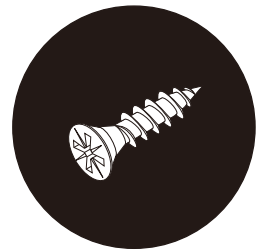
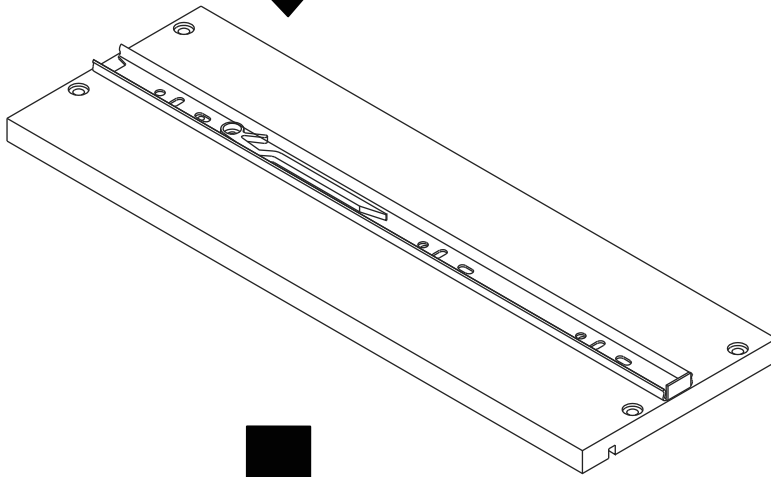
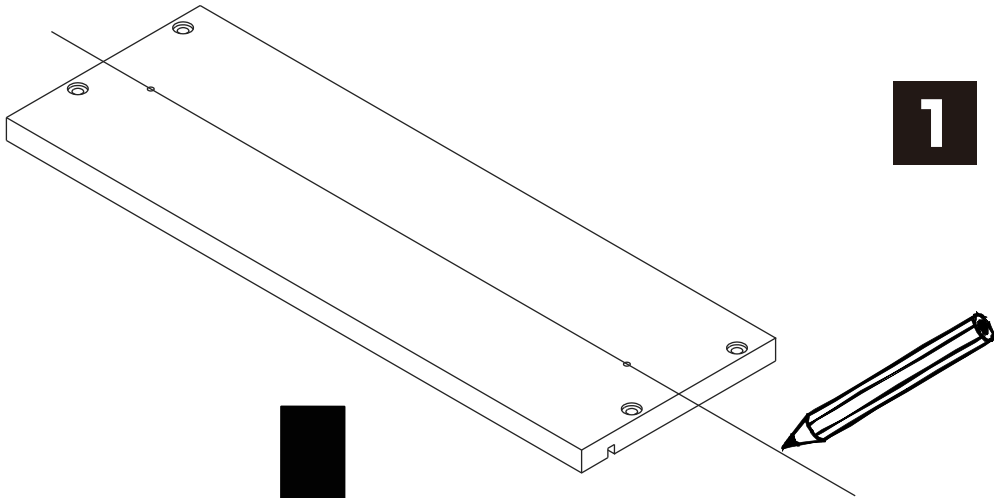
Night Table 50 cm.



CONNECT SYSTEM

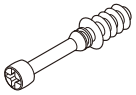






HARDWARE

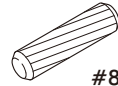
-BODY SET



x 4

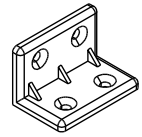


x 4

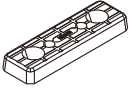


#8x35

x 18



x 8



x 6



M4x16mm.

x 44



M4x16mm.

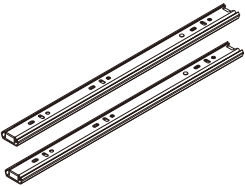
x 2



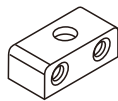
M4x50mm.

x 3

-DRAWER SET



x 2



x 8



x 1



M3.5x13mm.

x 24



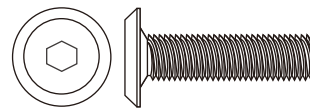
M4x25mm.

x 24



M4x40mm.

x 10



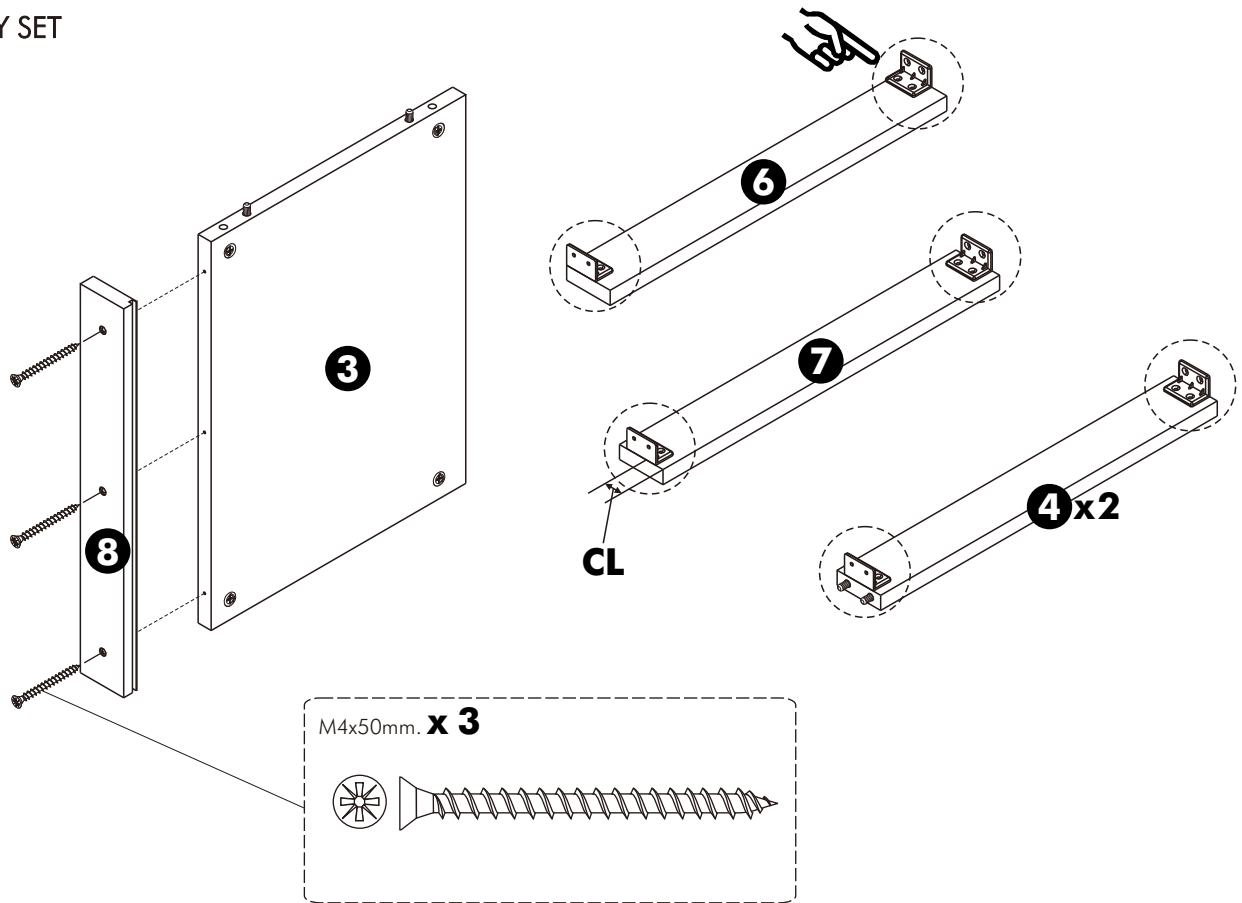
M6x23mm.

x 2

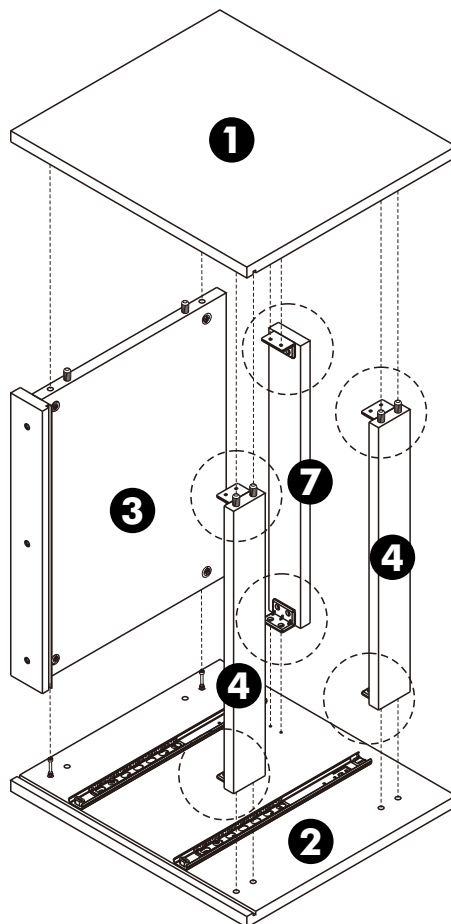
ASSEMBLY

-BODY SET

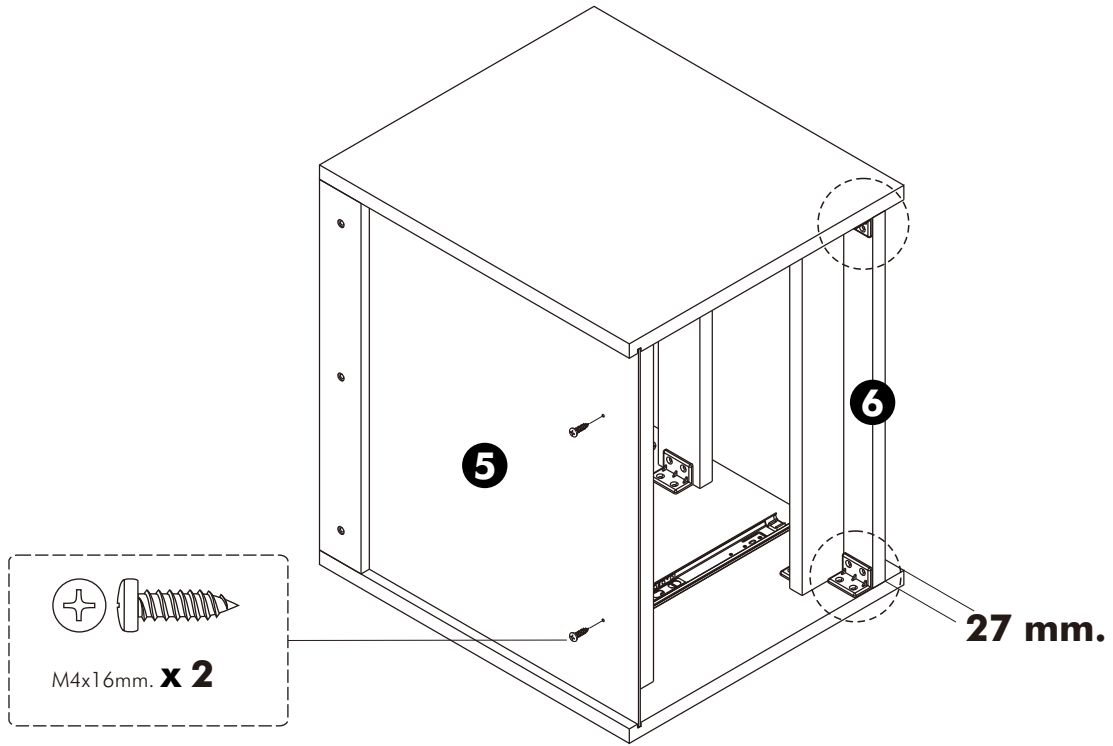
1.



2.



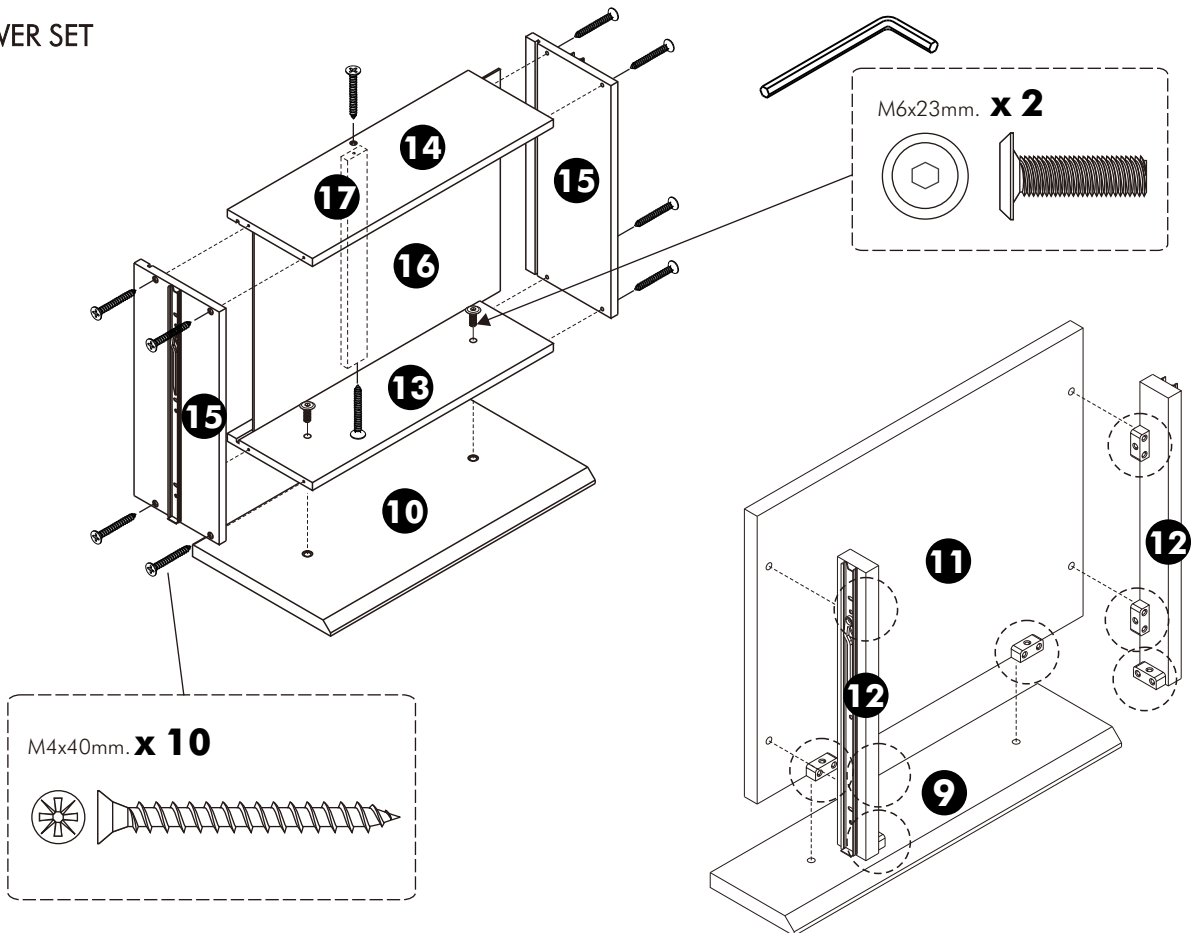
3.



ASSEMBLY

-DRAWER SET

4.



5.

