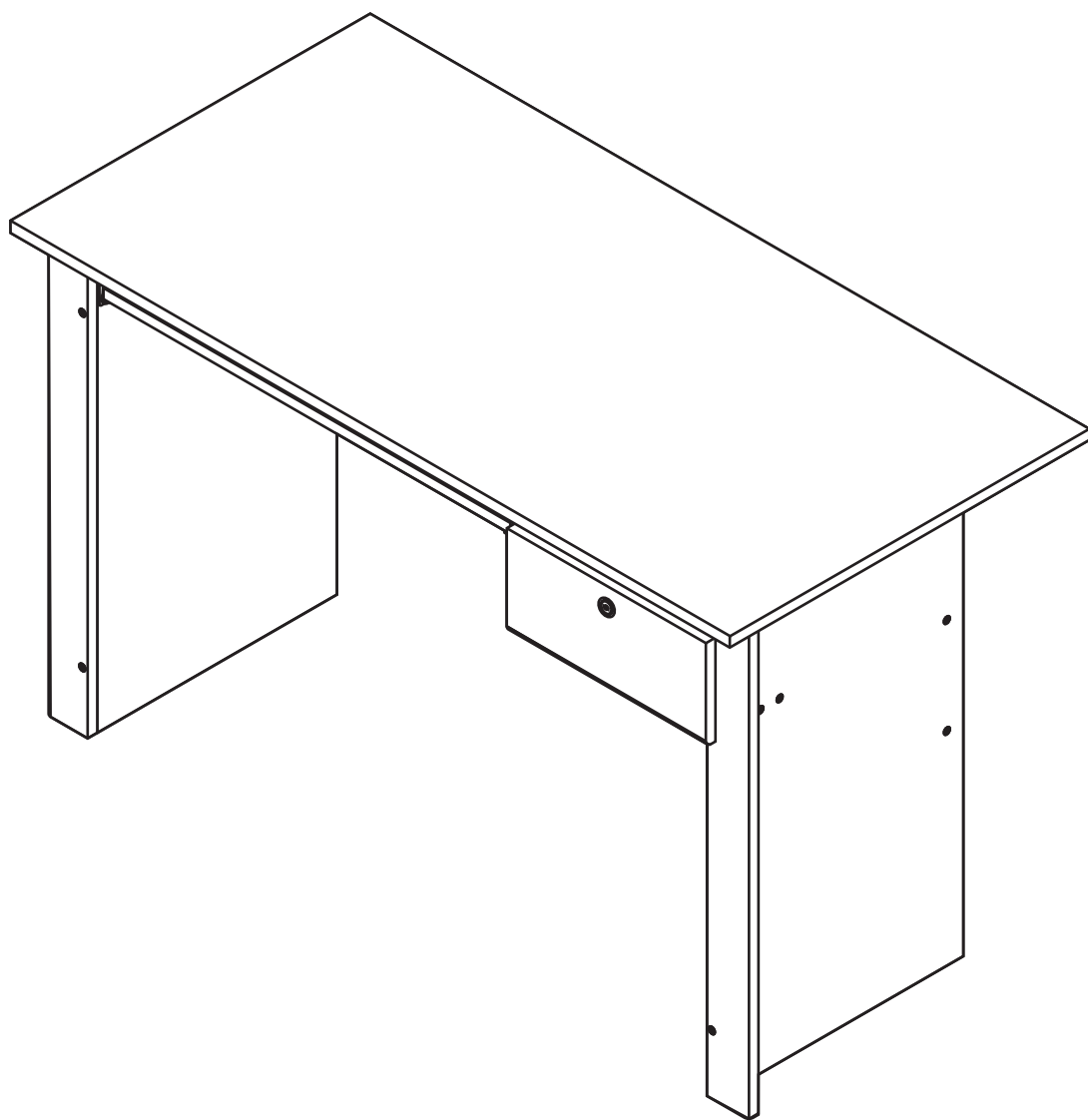


H-LARA/PS2

Computer table 120 cm.



CONNECT SYSTEM

1

2

(Connecting bolts)

3

WHEN FITTING CAMS
ENSURE STARTING POSITION IS CORRECT
BEFORE YOU INSERT CONNECTING BOLT
TURN CLOCKWISE UNTIL SECURE

 CORRECT	 WRONG	 WRONG	 WRONG
--------------------	------------------	------------------	------------------

5/10.5 mm.

M3.5x13mm.

1

2

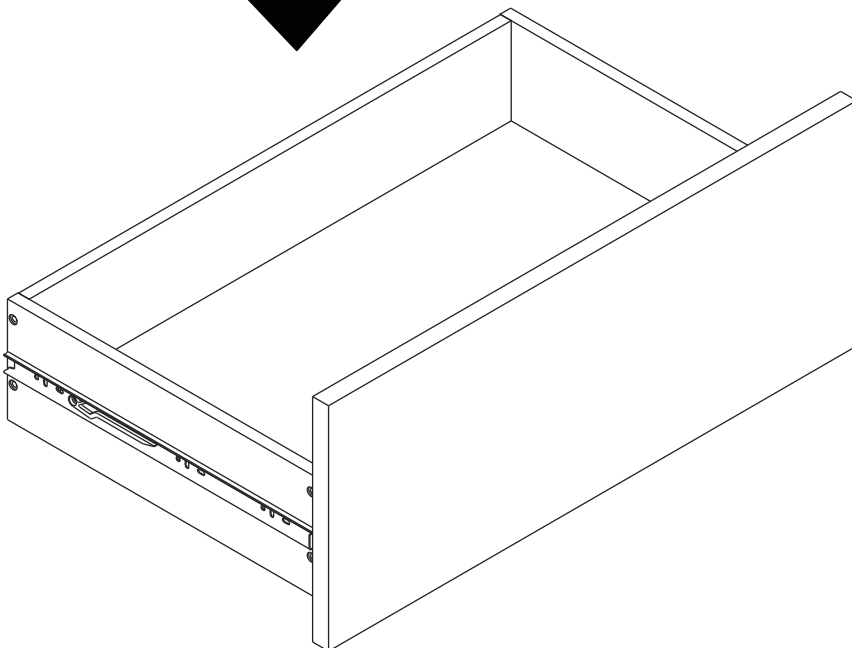
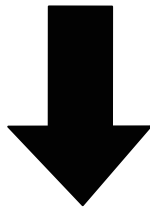
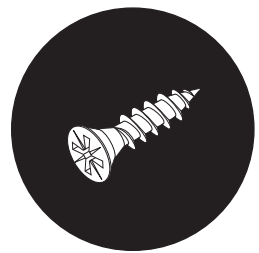
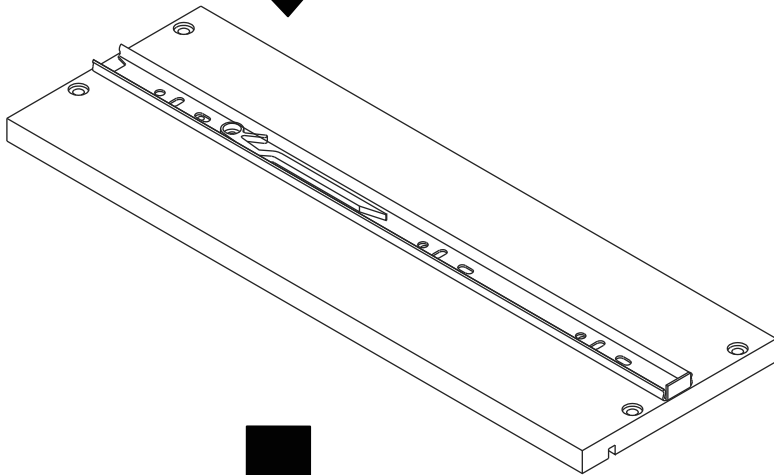
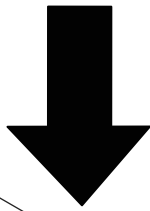
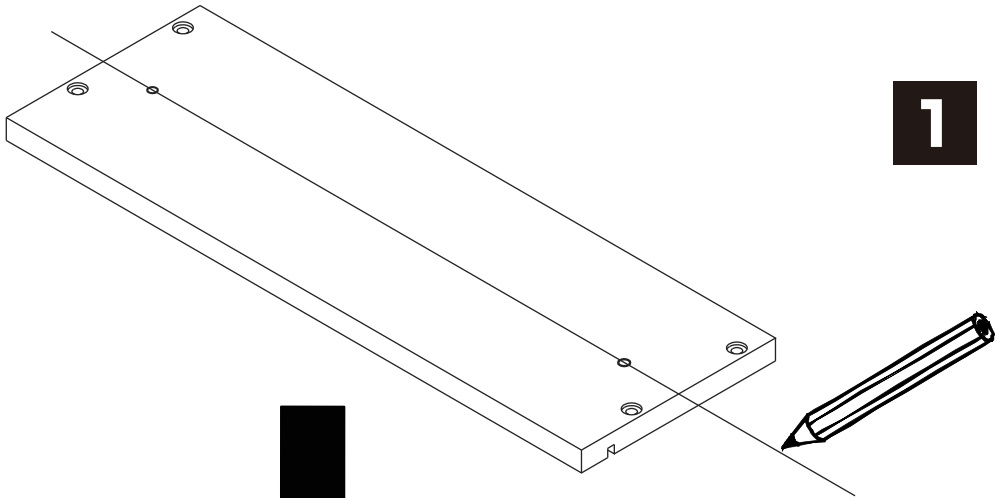
M3.5x13mm.

1

Use these holes

2

Use these holes



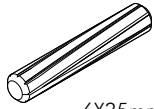
HARDWARE

-BODY SET



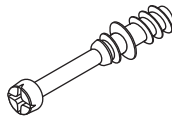
M4X40mm.

X 16



6X35mm.

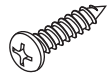
X 32



X 8



X 8

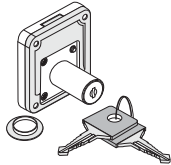


6x5/8"

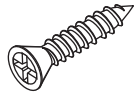
X 2



X 14

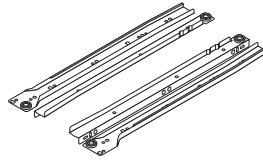


X 1



M3.5x20

X 4

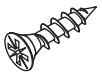


X 1 SET



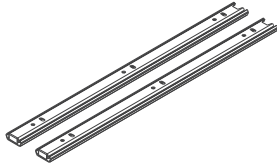
M5x10.5

X 6



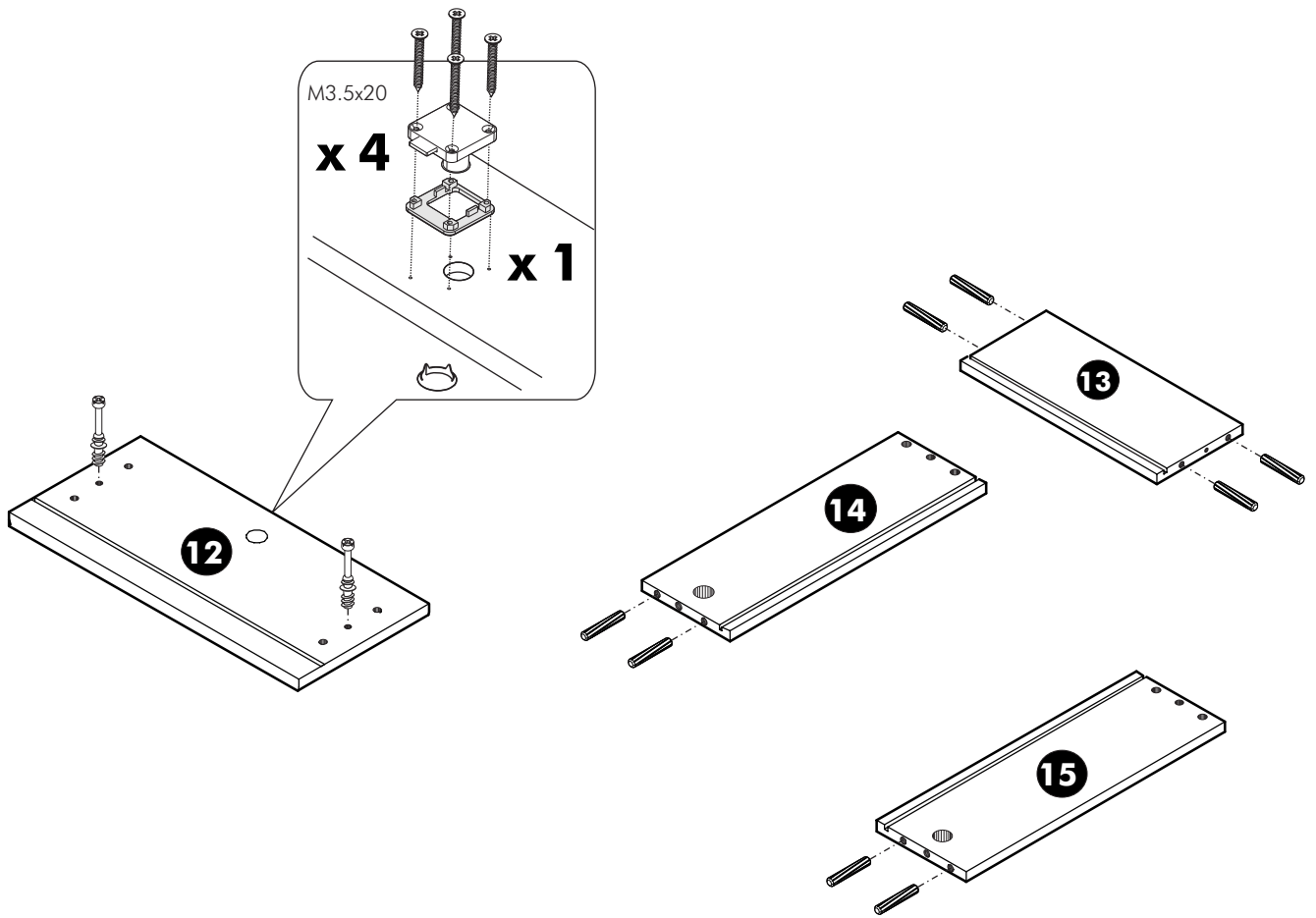
#M3.5x13

X 18

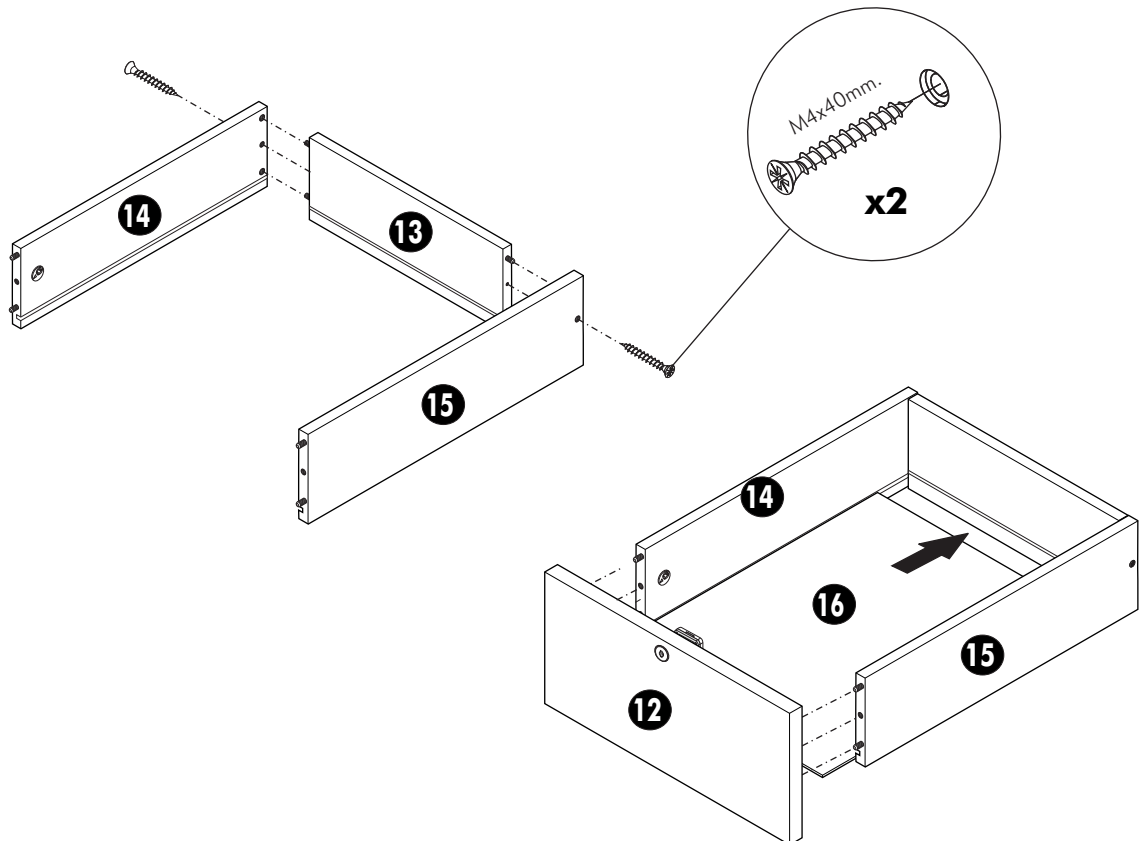


X 1 SET

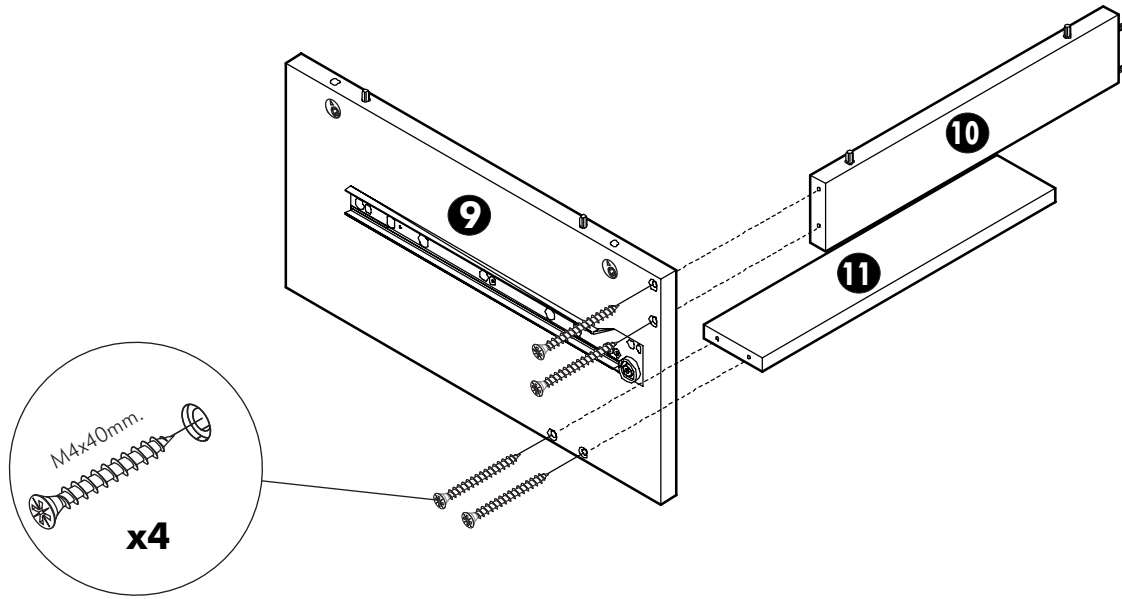
1.



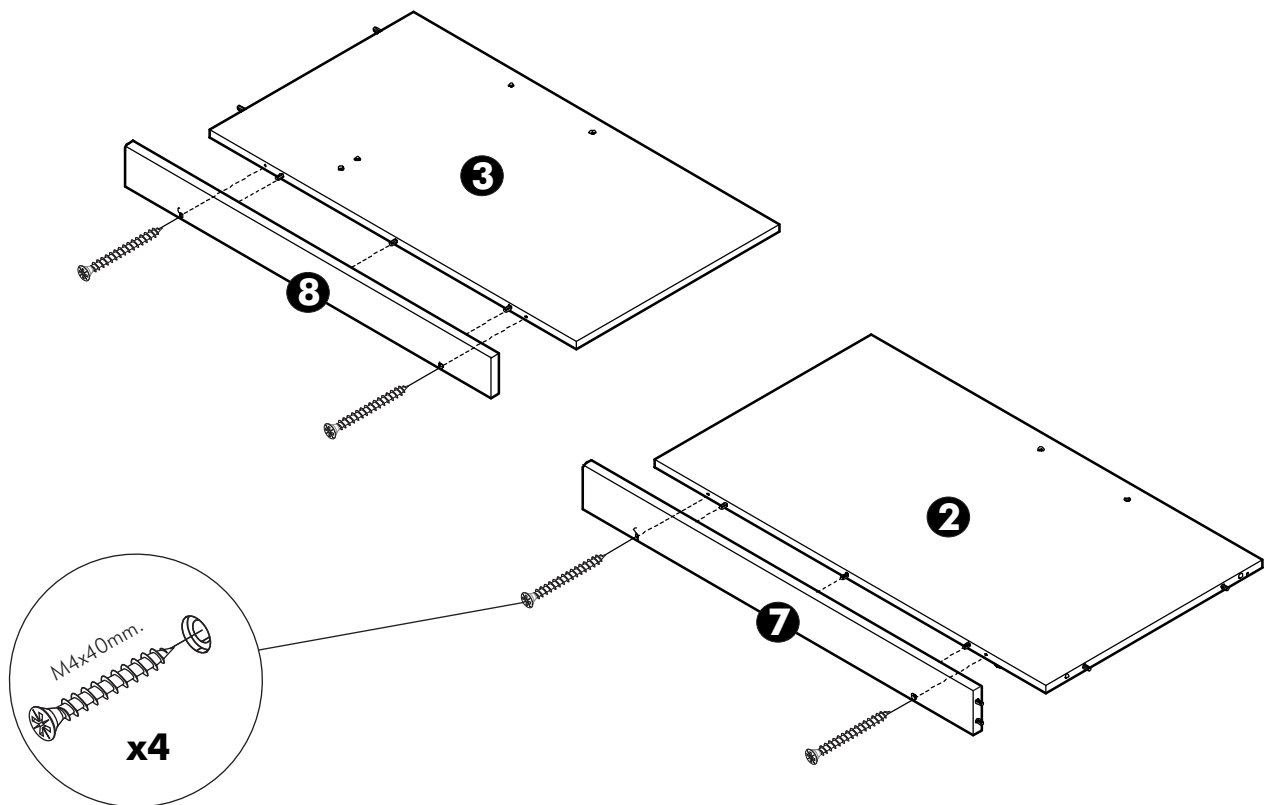
2.



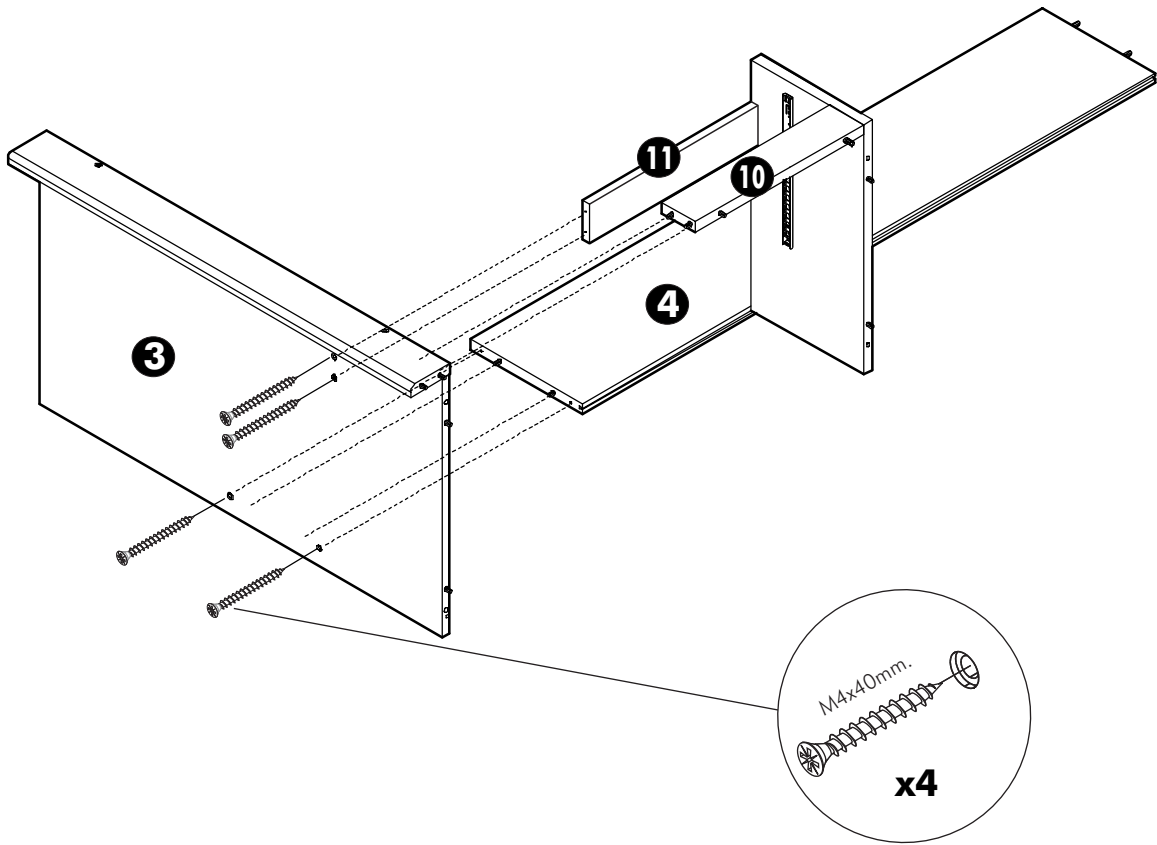
3.



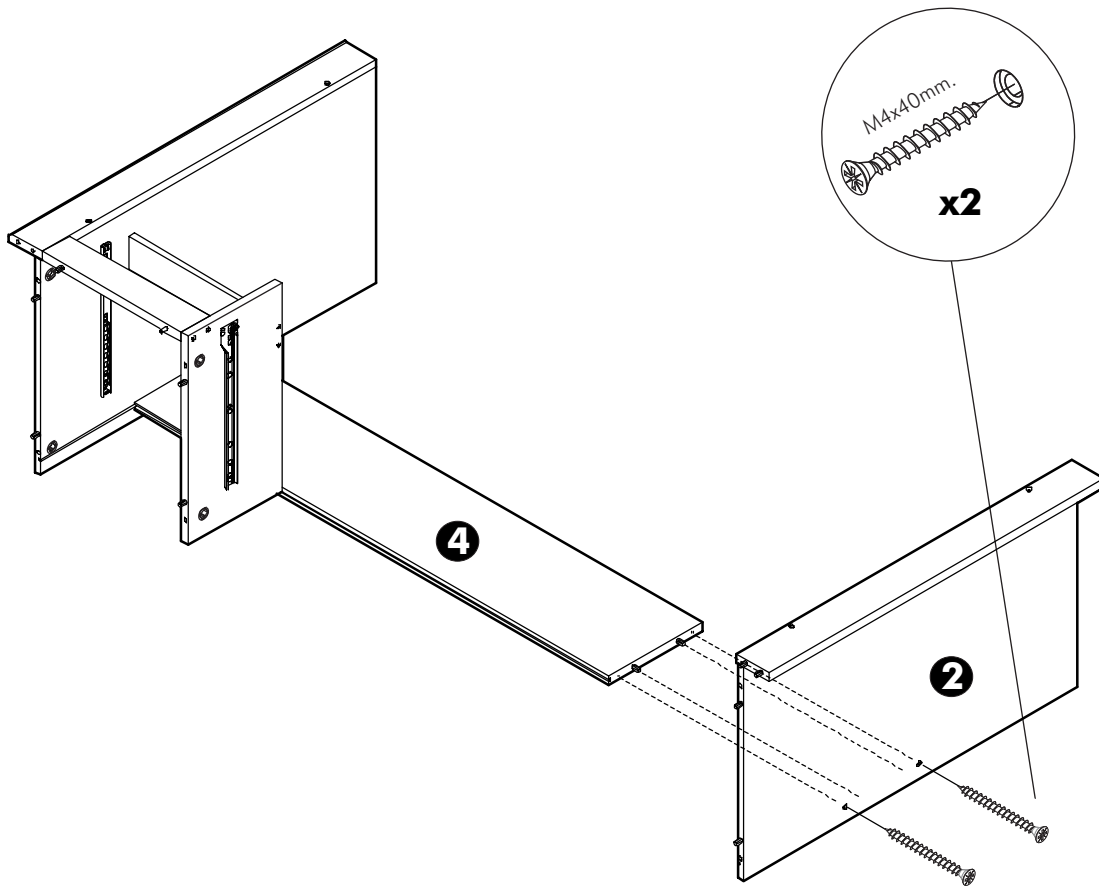
4.



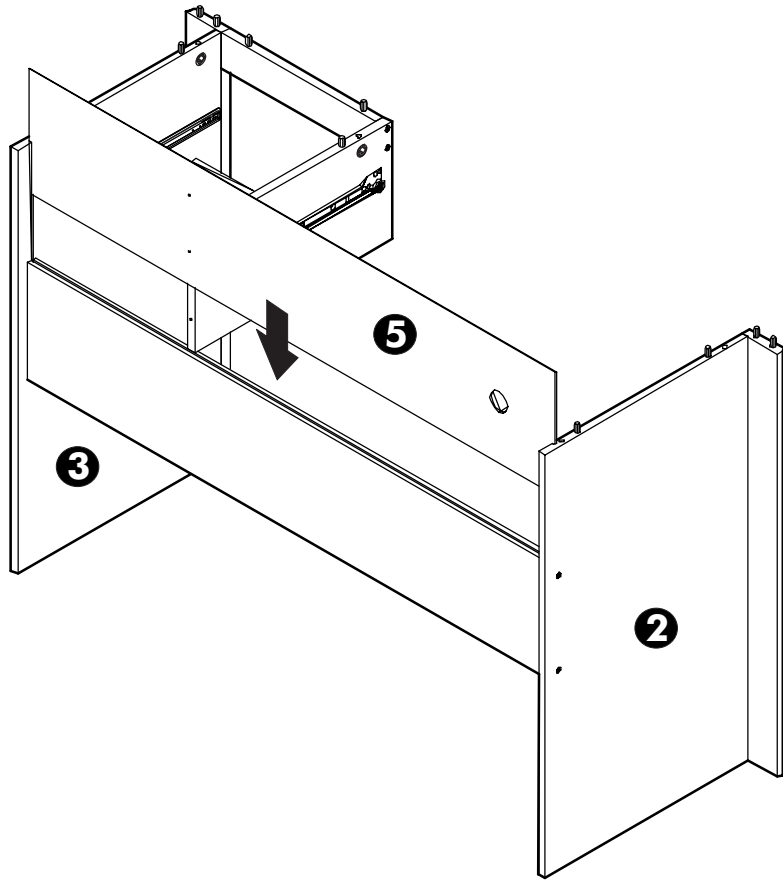
5.



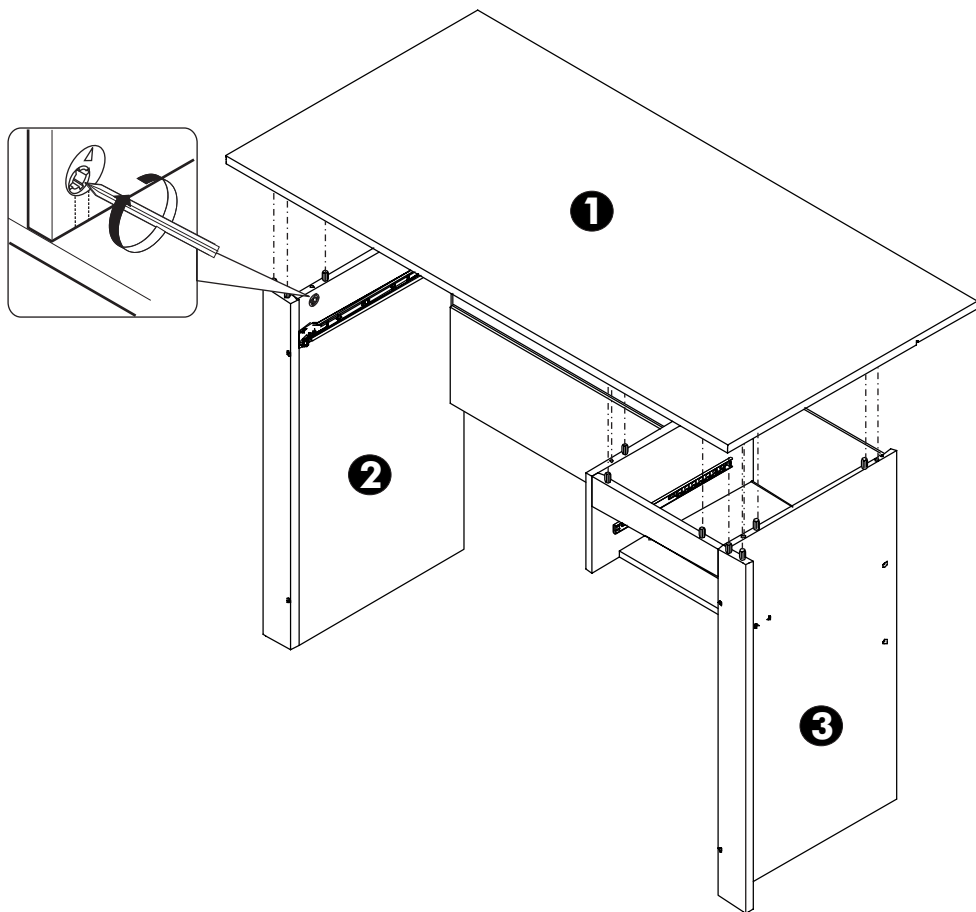
6.



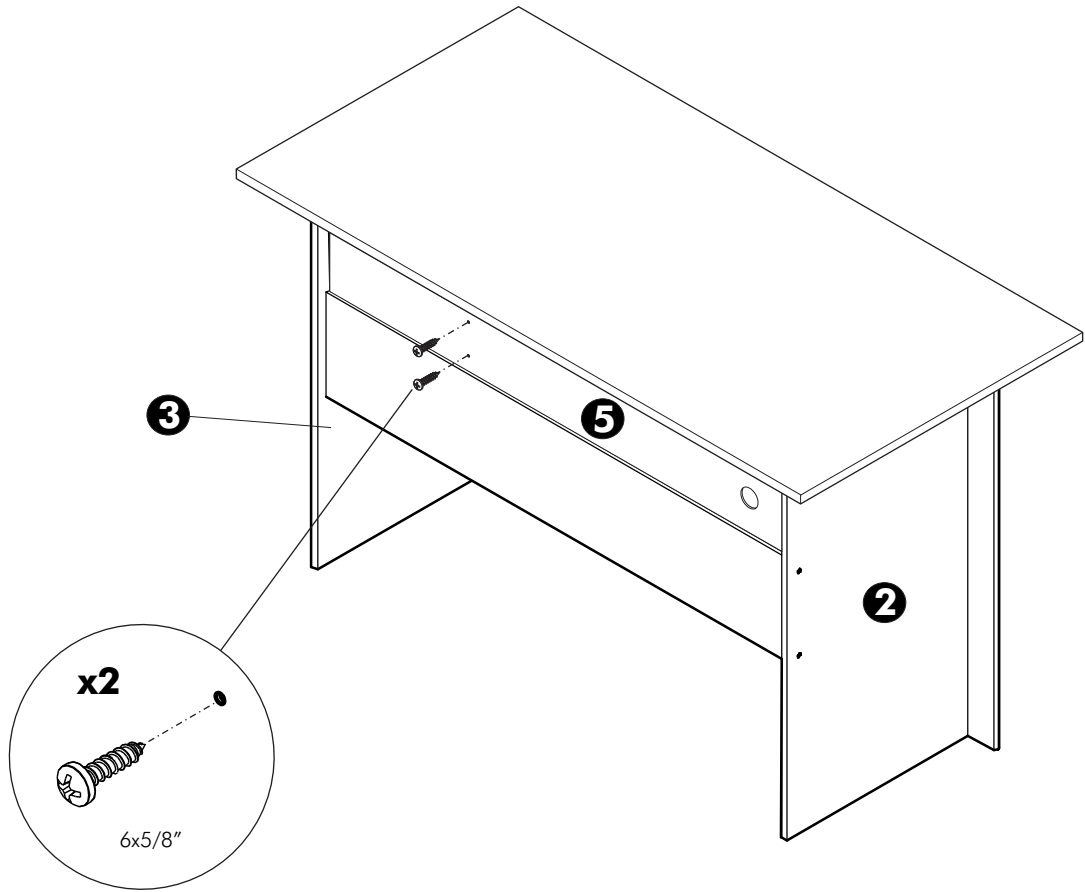
7.



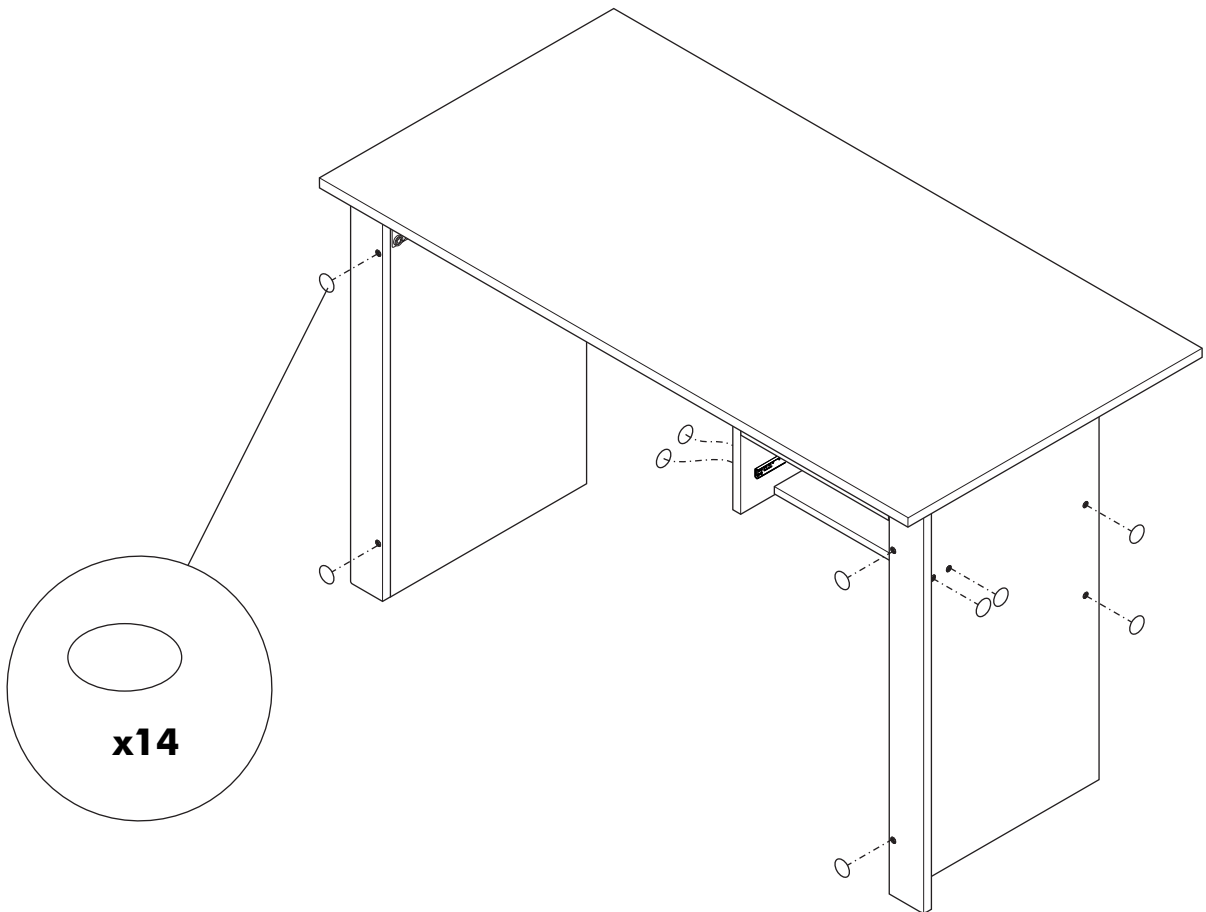
8.



9.



10.



11.

