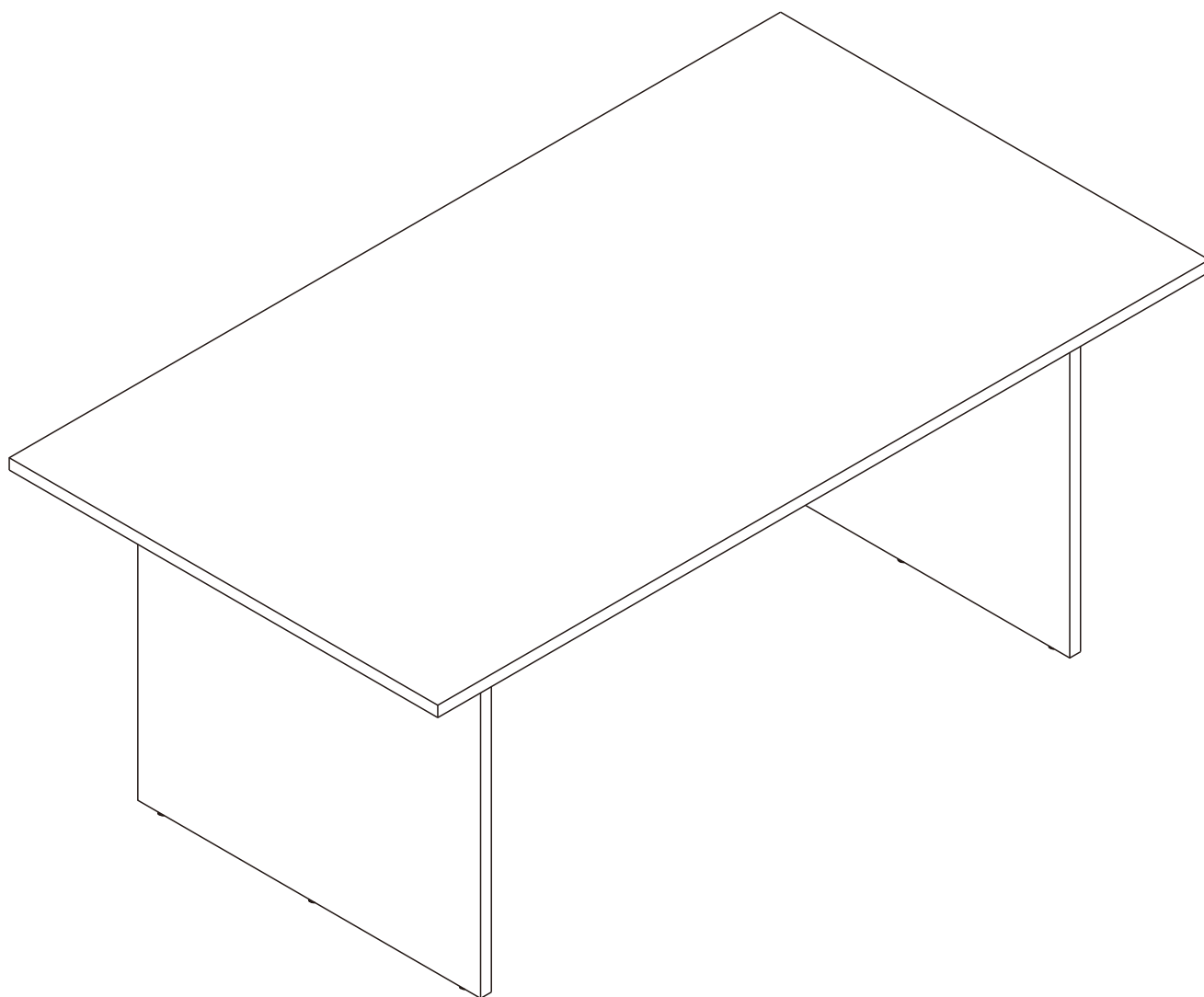
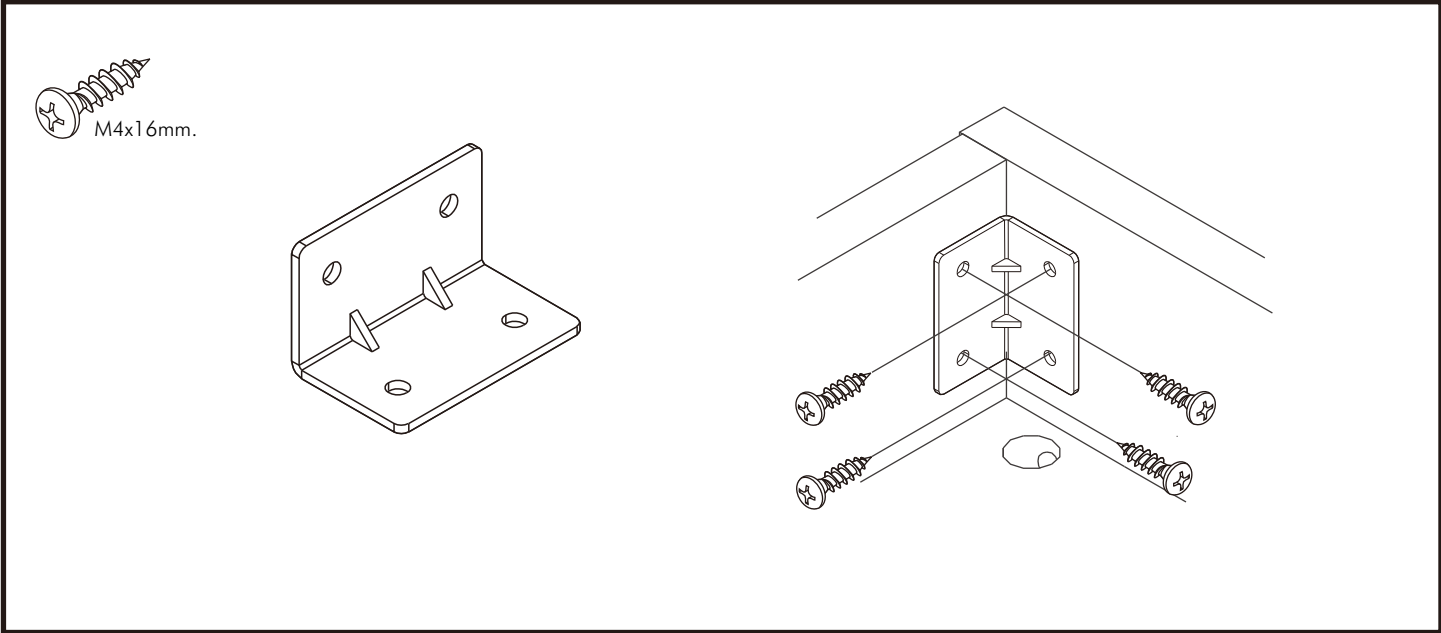
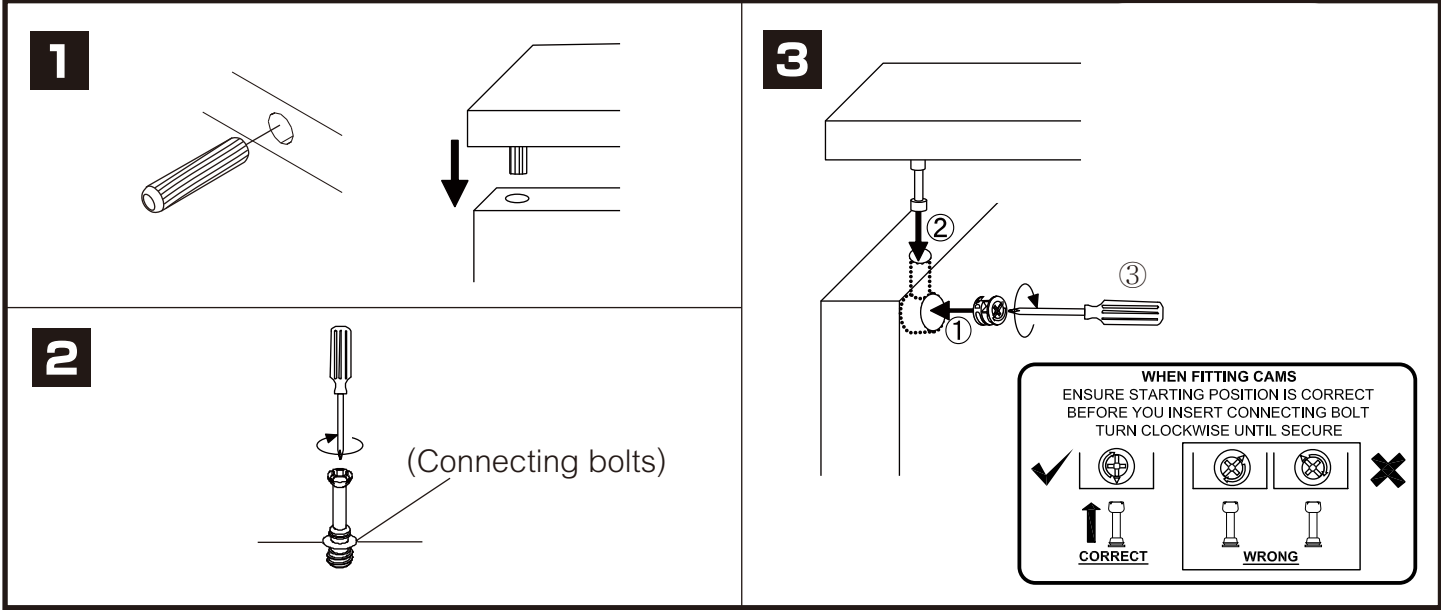


# ACTIVA

**Conference Table 180 cm.**

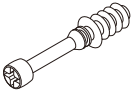


# CONNECT SYSTEM



# HARDWARE

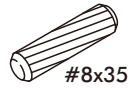
-BODY SET



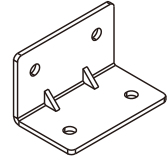
**x 4**



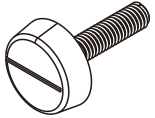
**x 4**



**x 22**



**x 14**



**x 6**



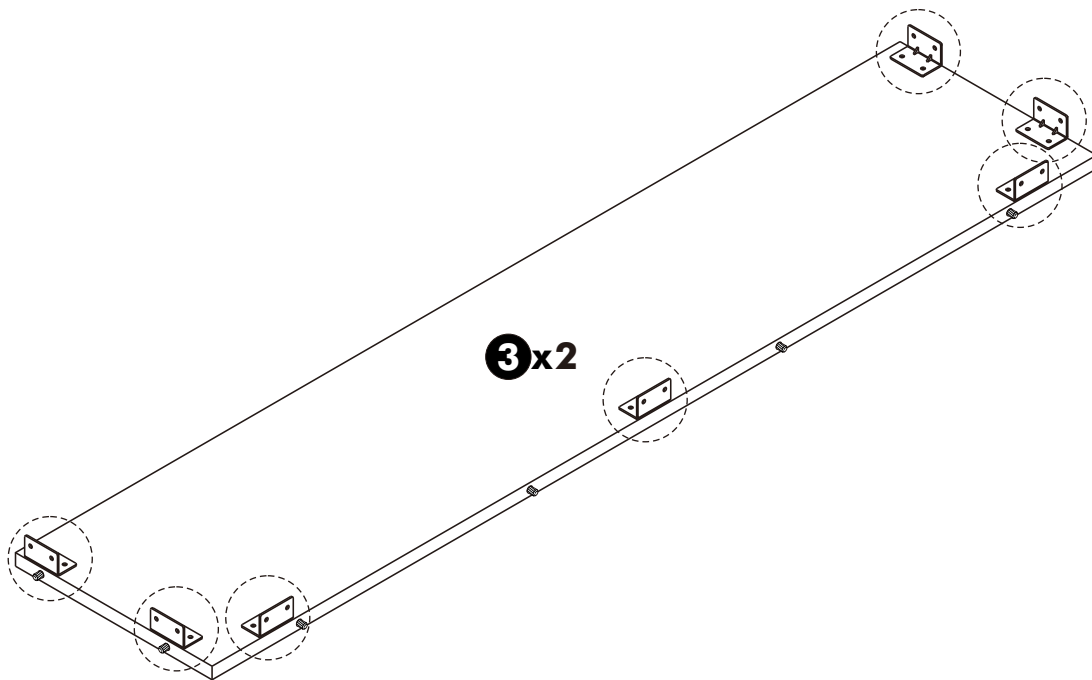
M4x16mm.

**x 56**

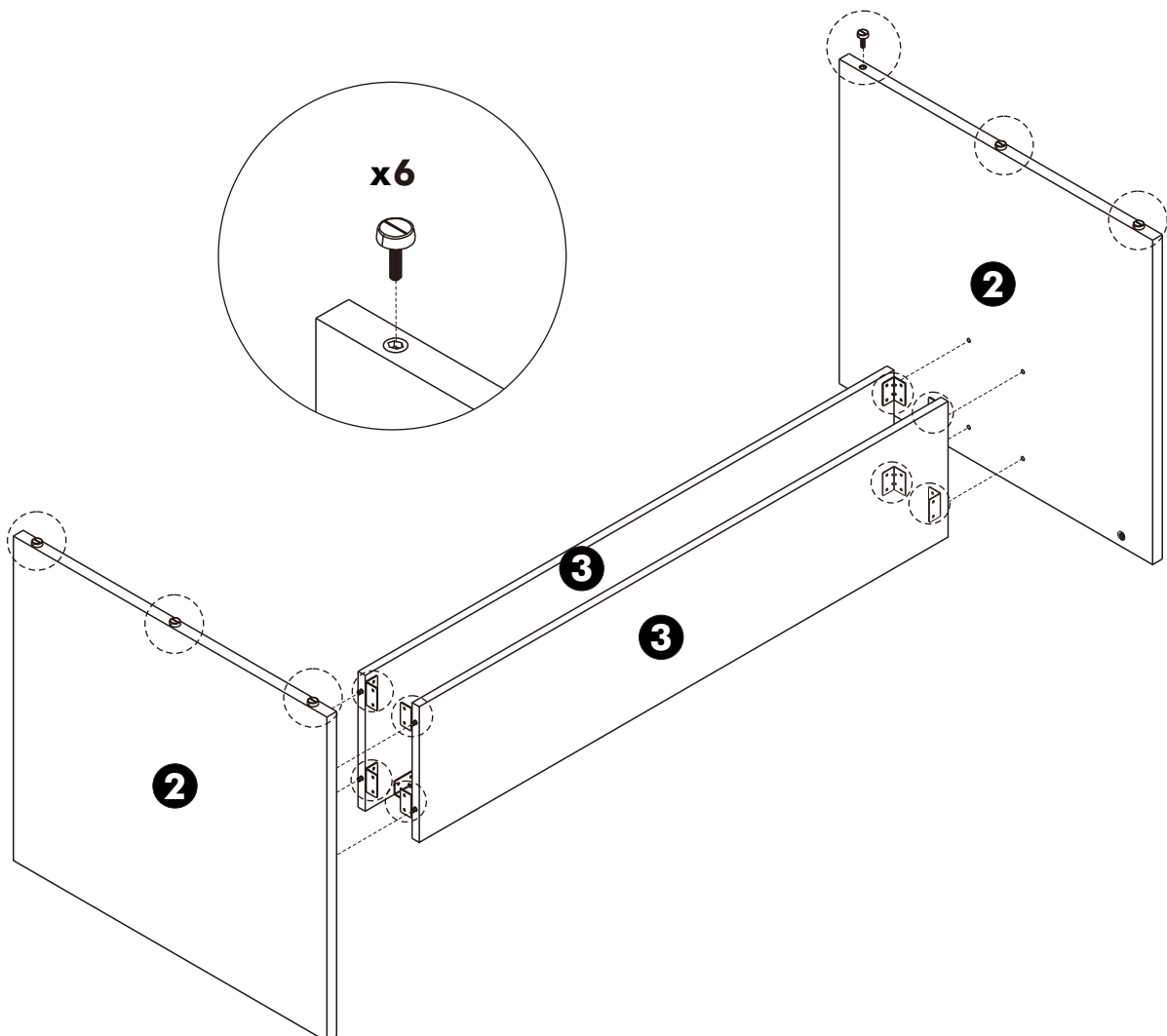
# ASSEMBLY

-BODY SET

**1.**



**2.**



**3.**

