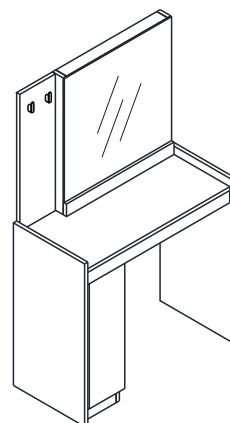
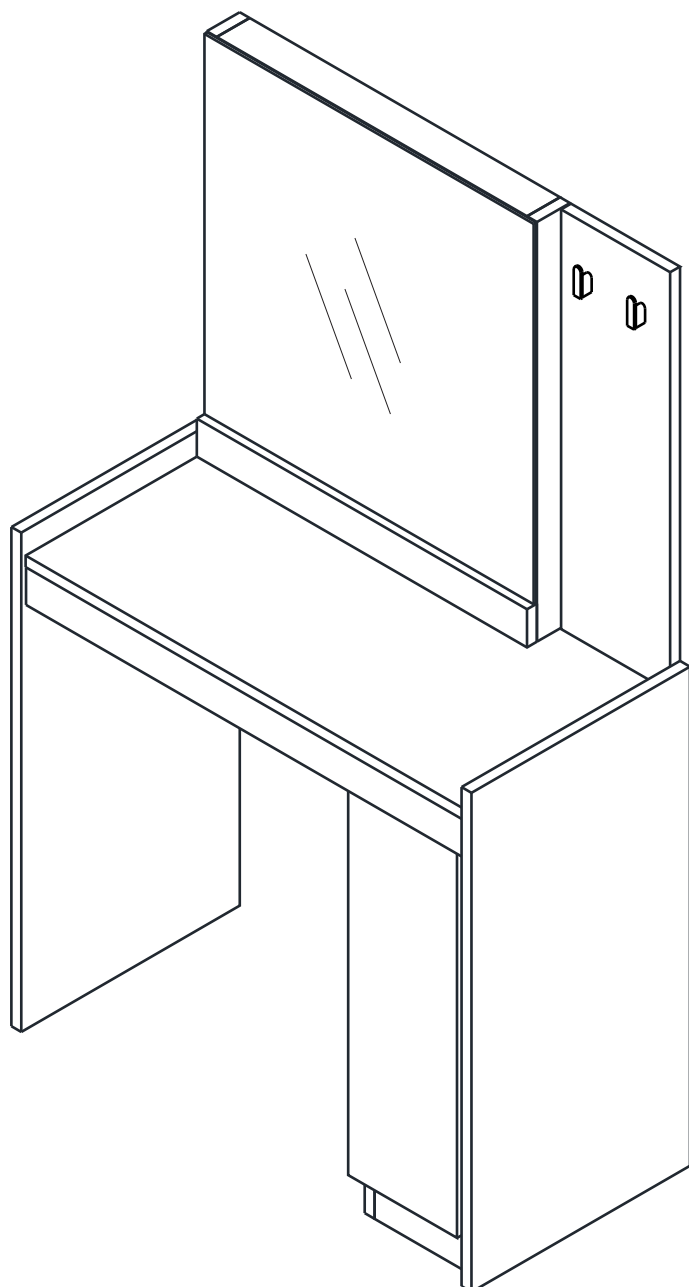


ESQUIRE

Dressing table



CONNECT SYSTEM

1

3

2

(Connecting bolts)

WHEN FITTING CAMS
 ENSURE STARTING POSITION IS CORRECT
 BEFORE YOU INSERT CONNECTING BOLT
 TURN CLOCKWISE UNTIL SECURE

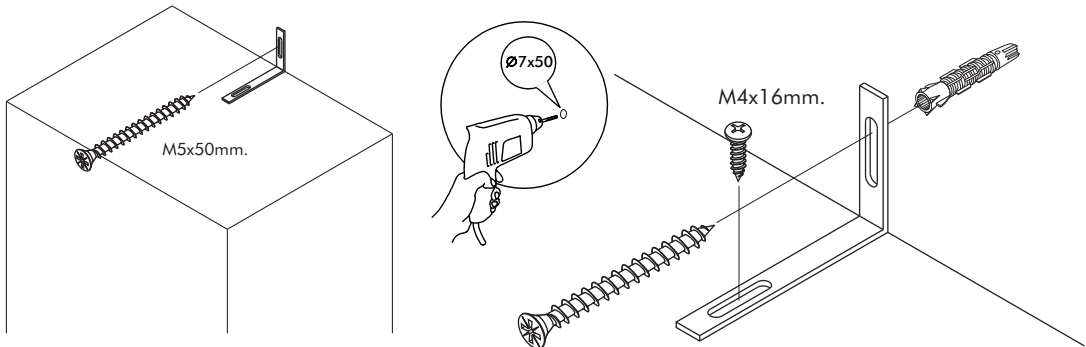
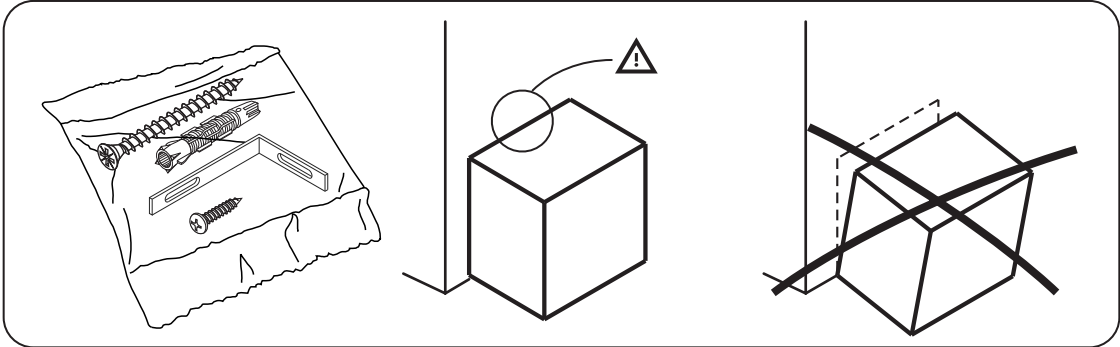
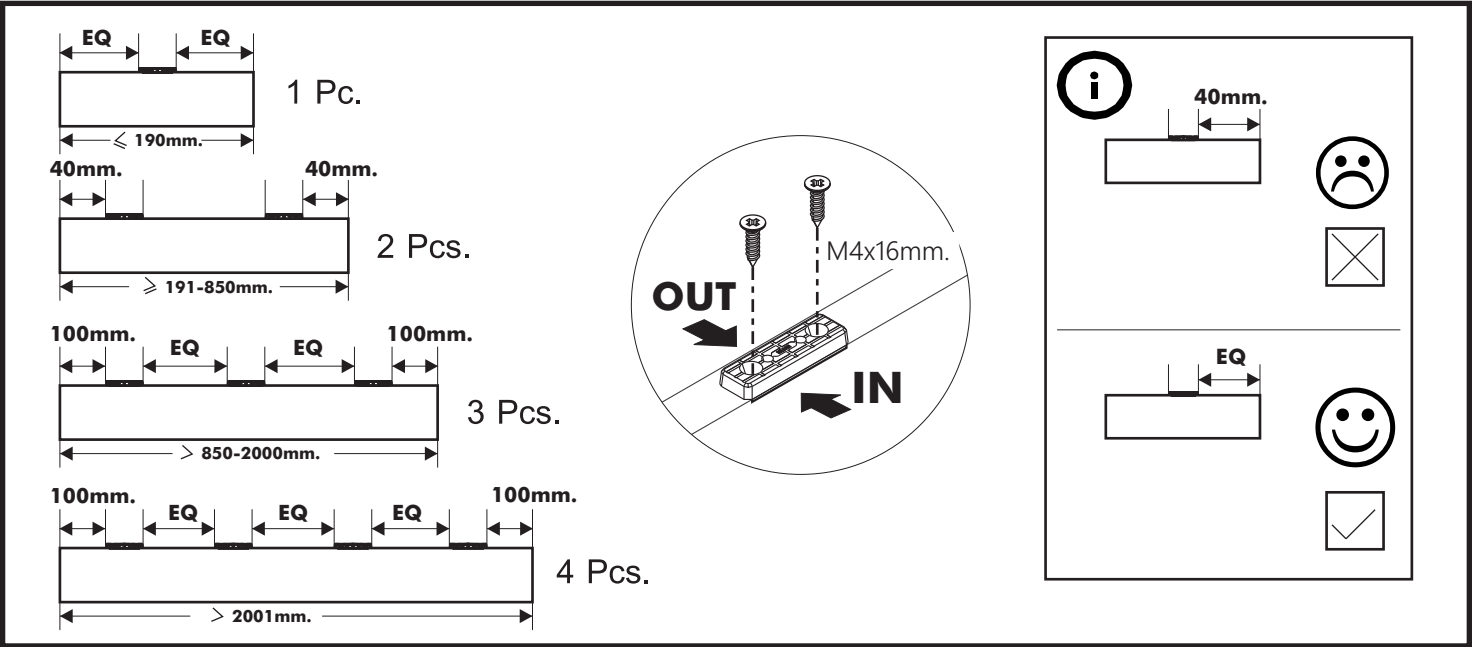
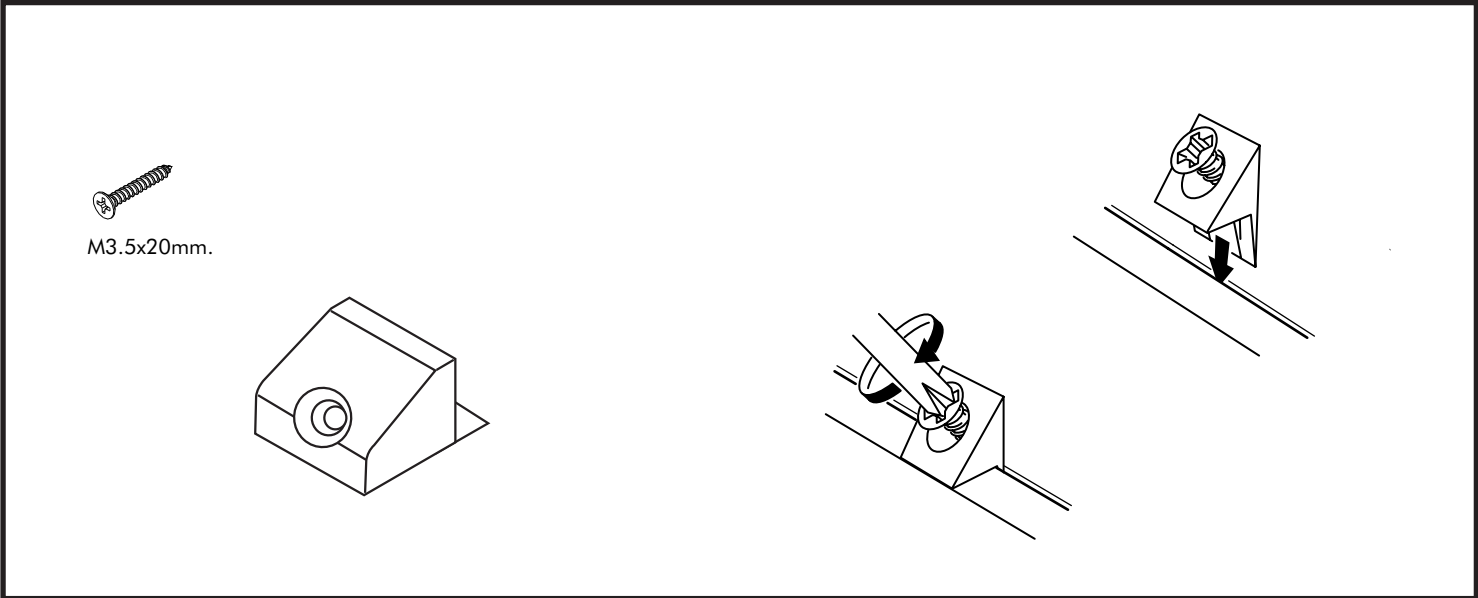
✓				✗
↑	CORRECT	WRONG	WRONG	

M4x16mm.

M4x16mm.

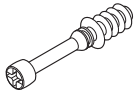
DOOR PANEL

CONNECT SYSTEM



HARDWARE

-BODY SET

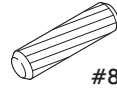


x 7



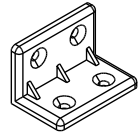
19mm.

x 7

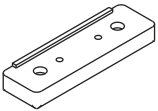


#8x35

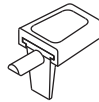
x 14



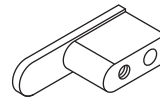
x 8



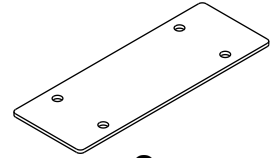
x 8



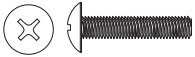
x 4



x 2

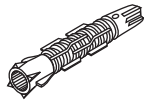


x 2



M4x25mm.

x 2



x 1



Ø 11mm.

x 2



M4x16mm.

x 56

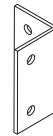


x 4

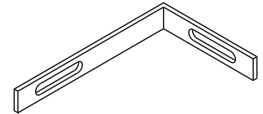


M3.5x20mm.

x 4



x 5



x 1



M4x30mm.

x 7



M4x16mm.

x 23



M5x50mm.

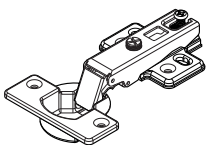
x 1



M4x50mm.

x 7

-DOOR SET



x 2



M4x16mm.

x 12

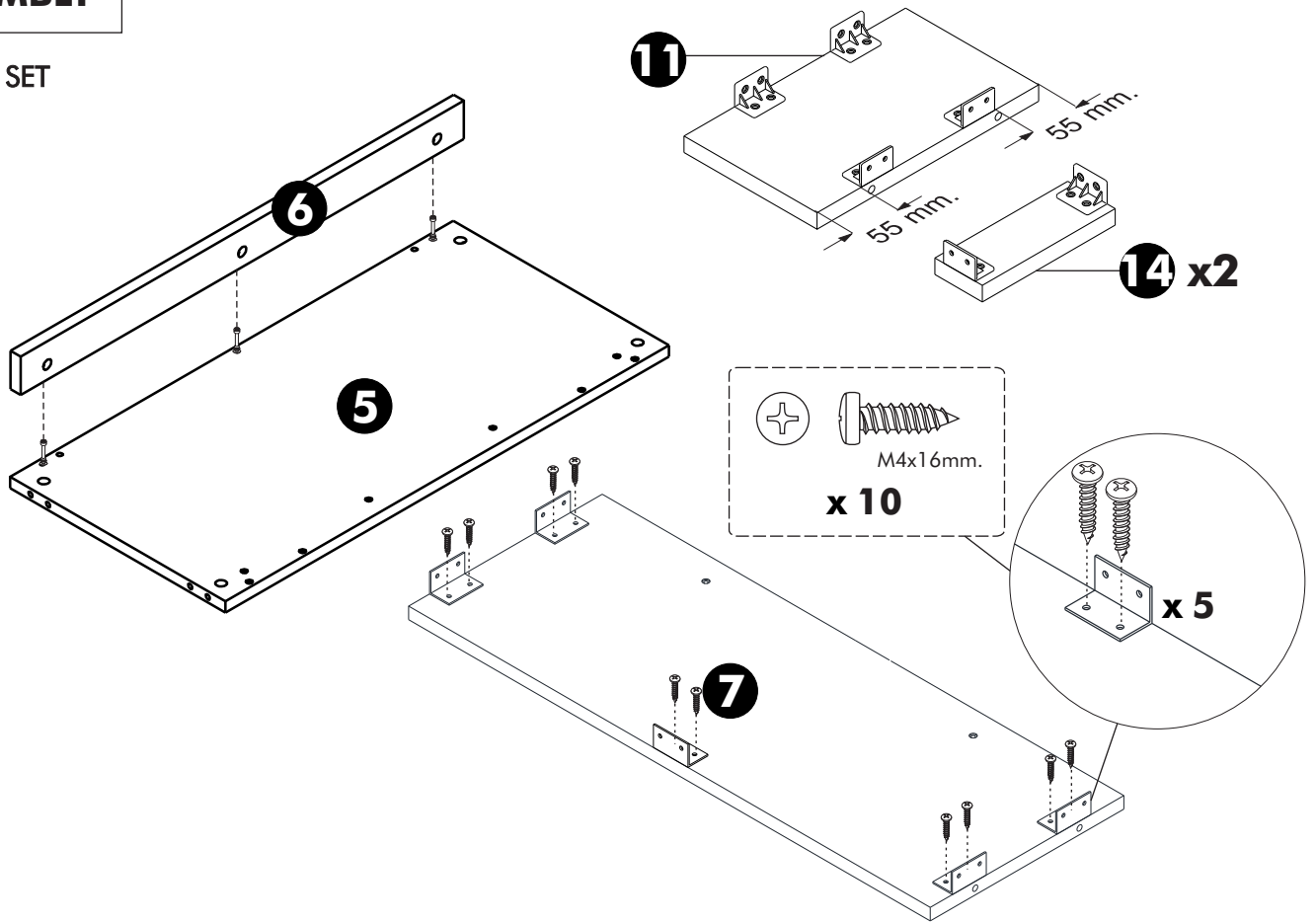


x 2

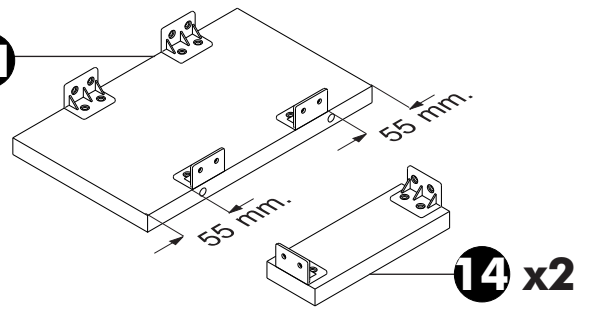
ASSEMBLY

-BODY SET

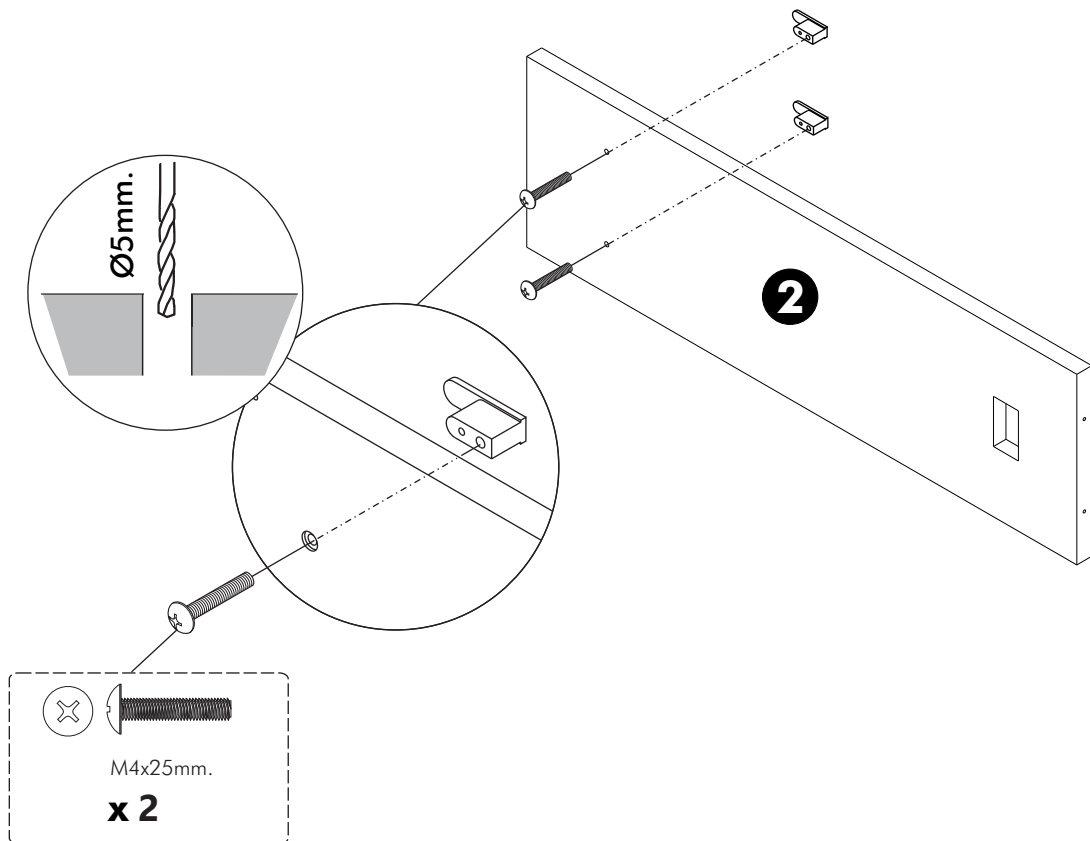
1.



11

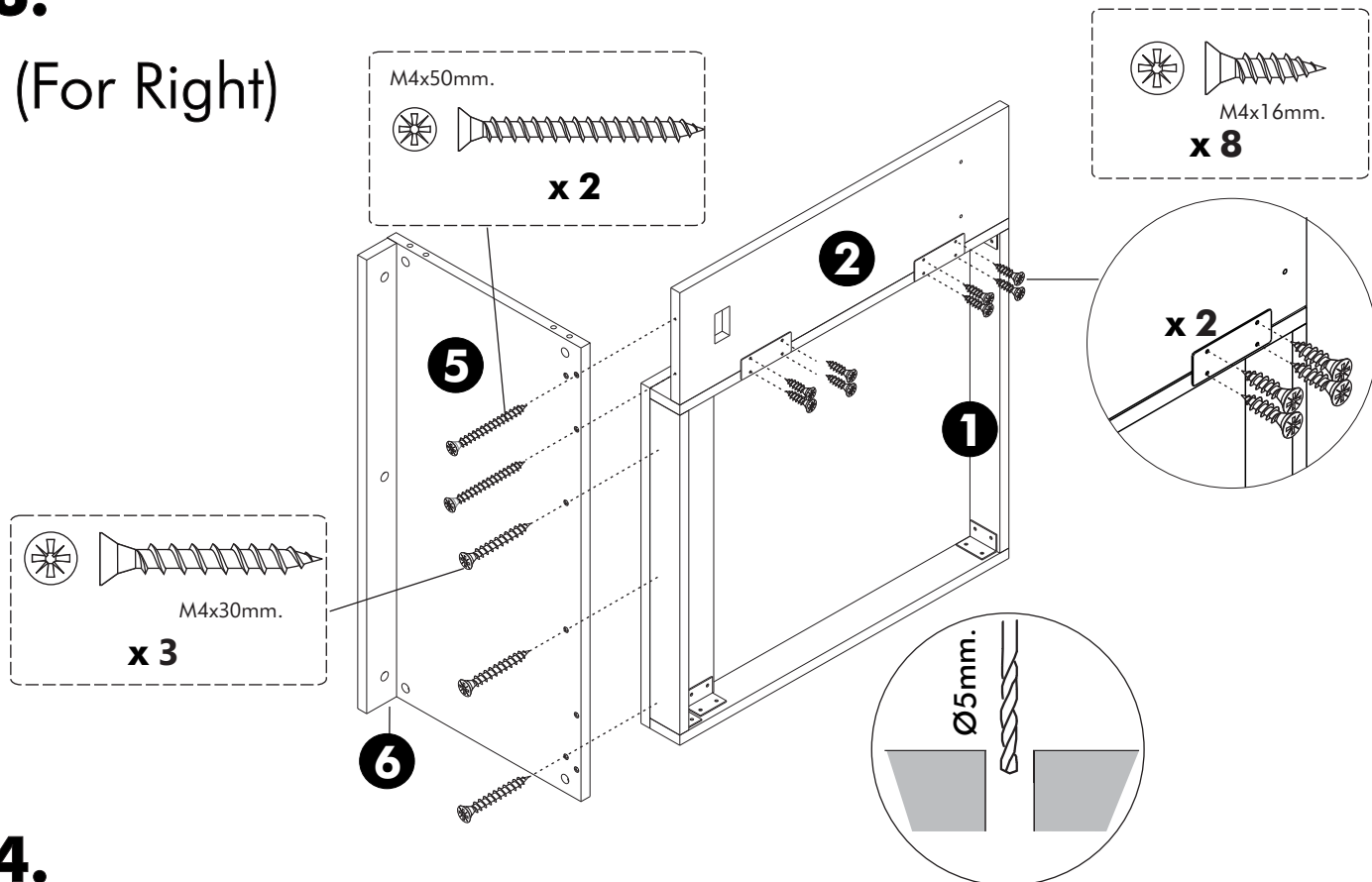


2.



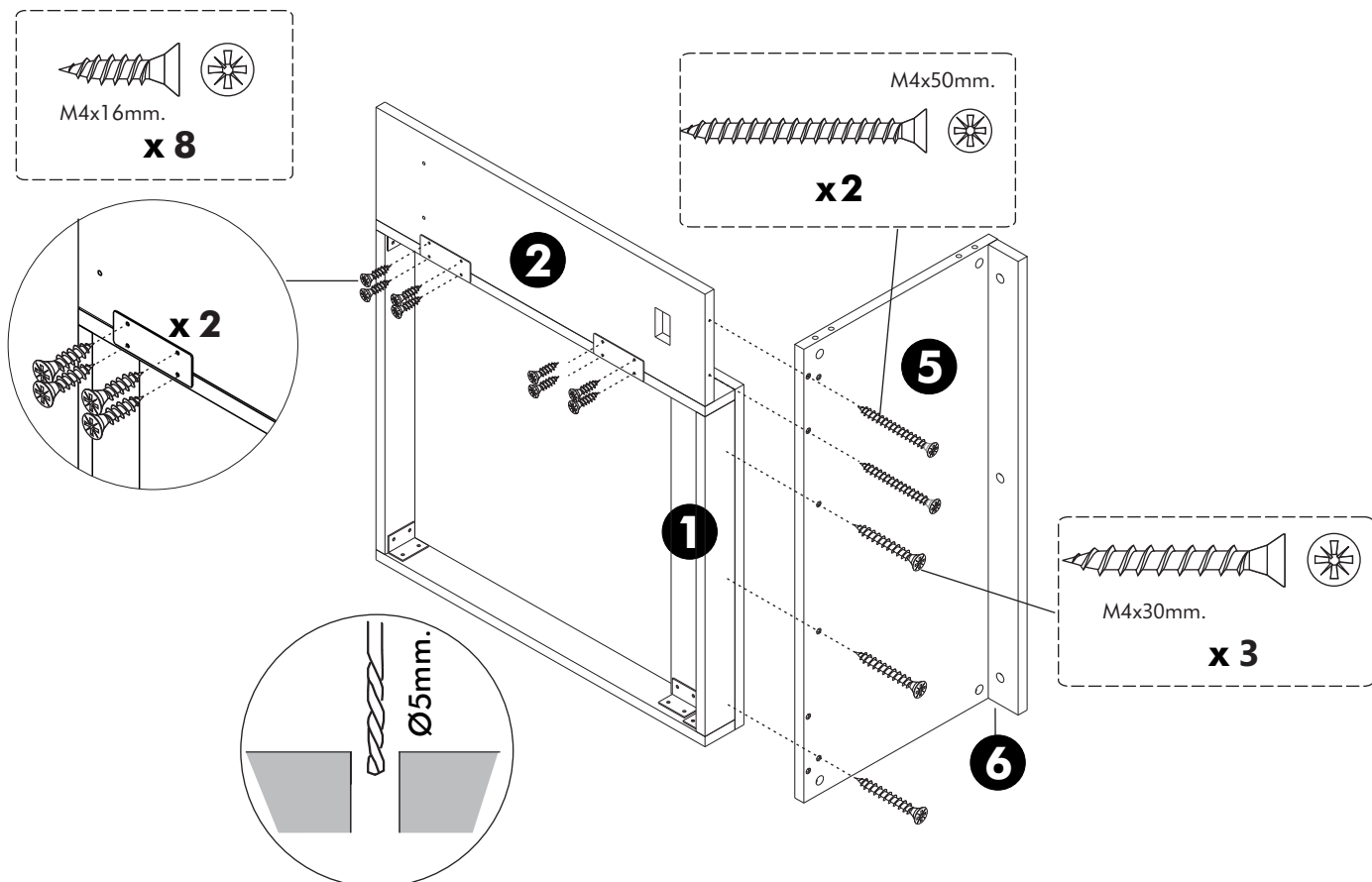
3.

(For Right)

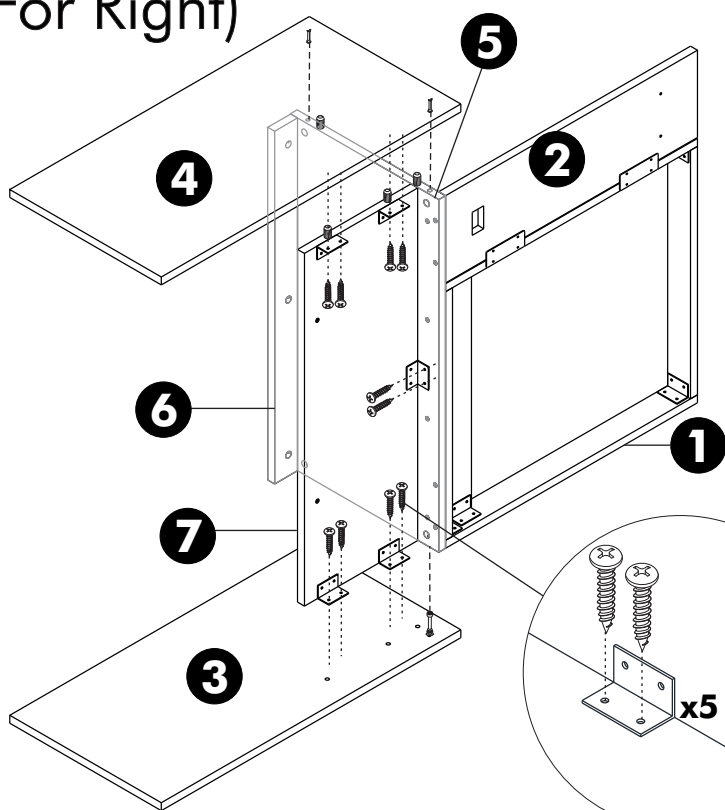


4.

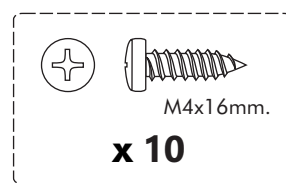
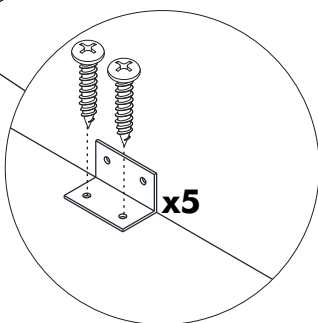
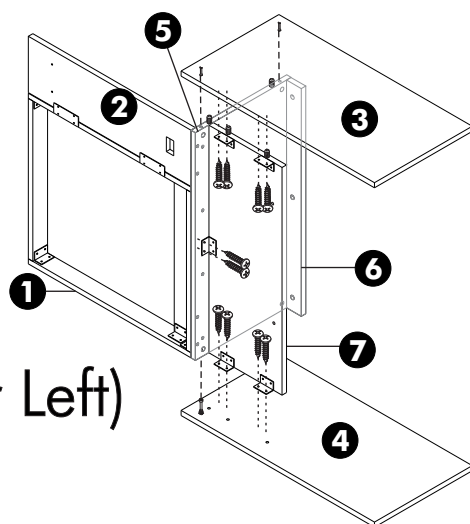
(For Left)



5. (For Right)



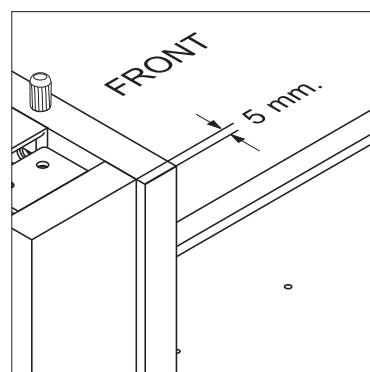
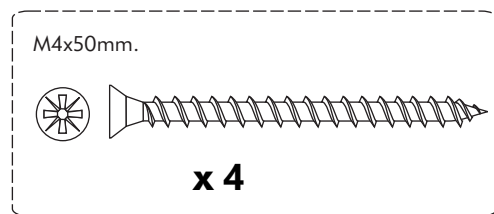
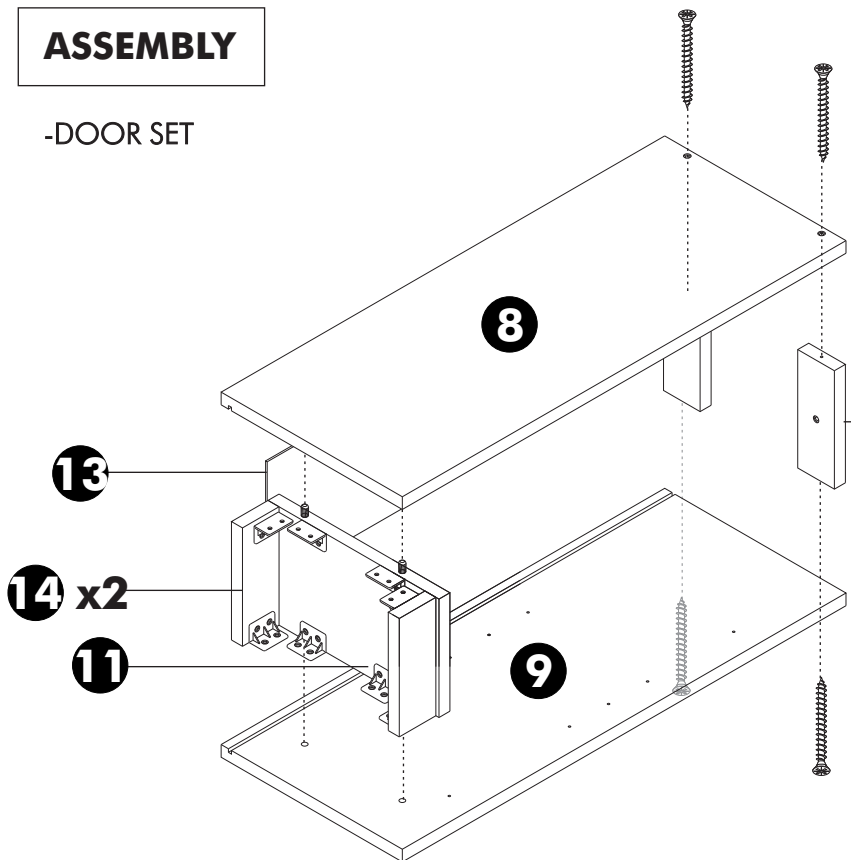
(For Left)



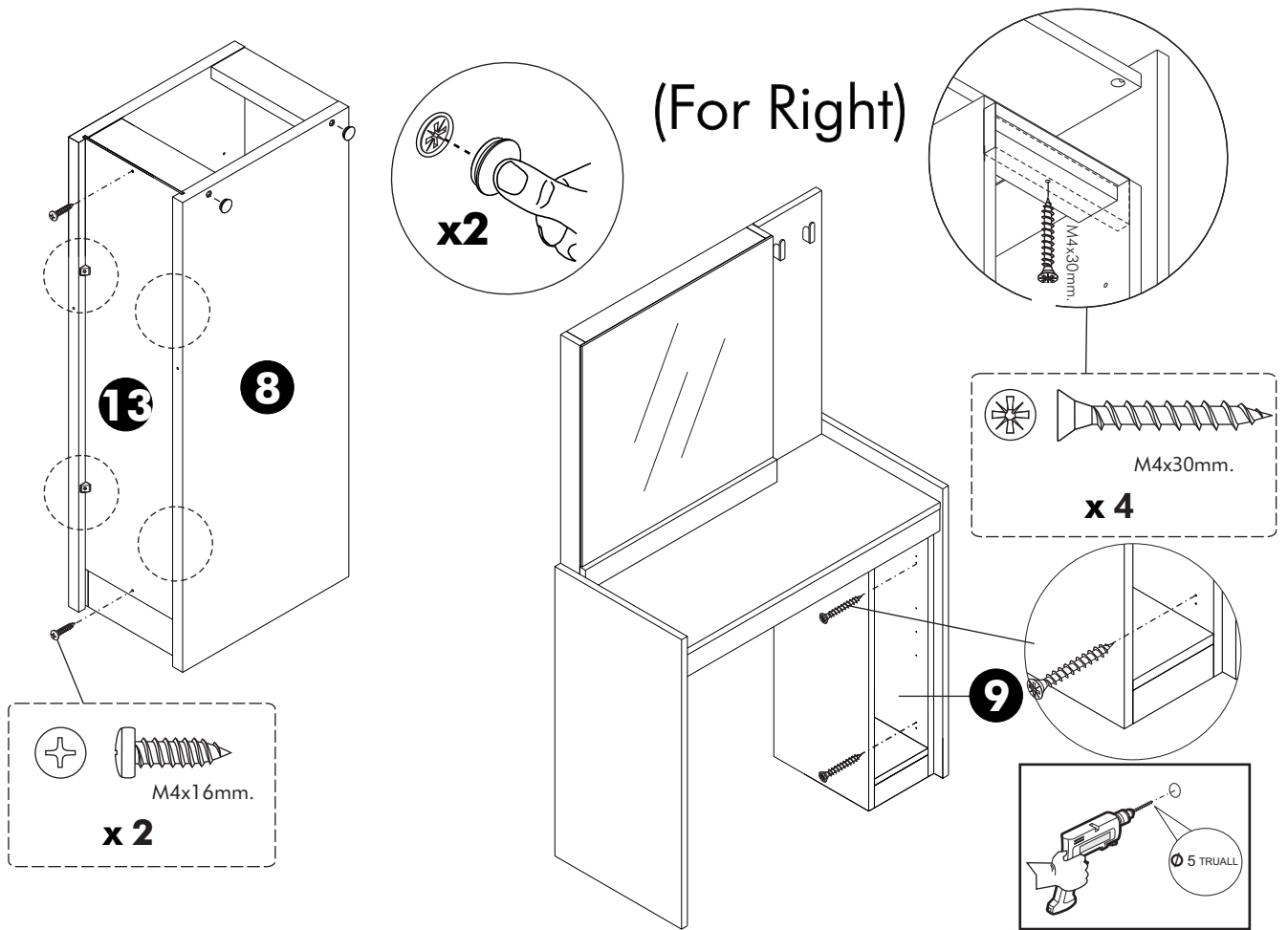
6.

ASSEMBLY

-DOOR SET

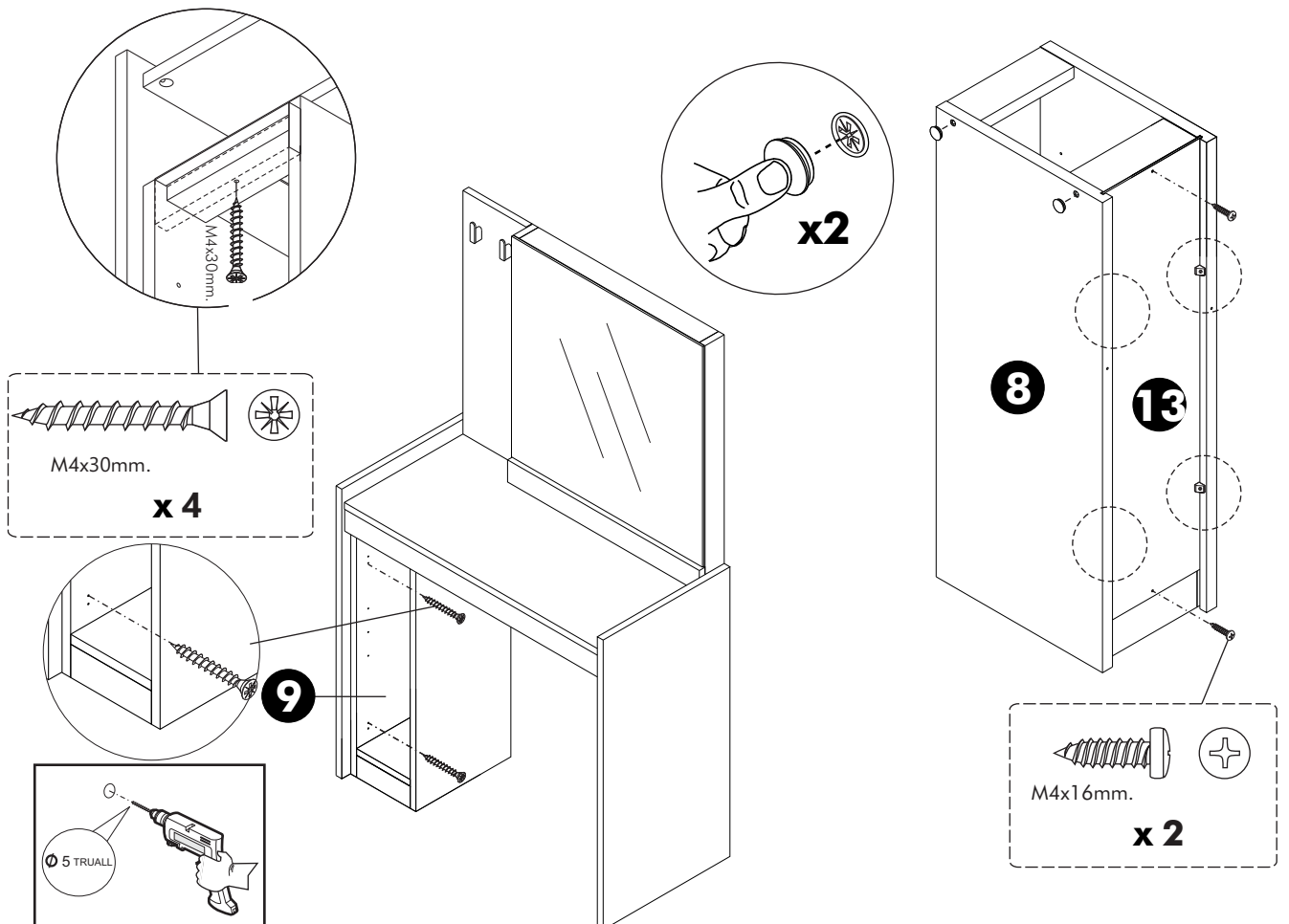


7.



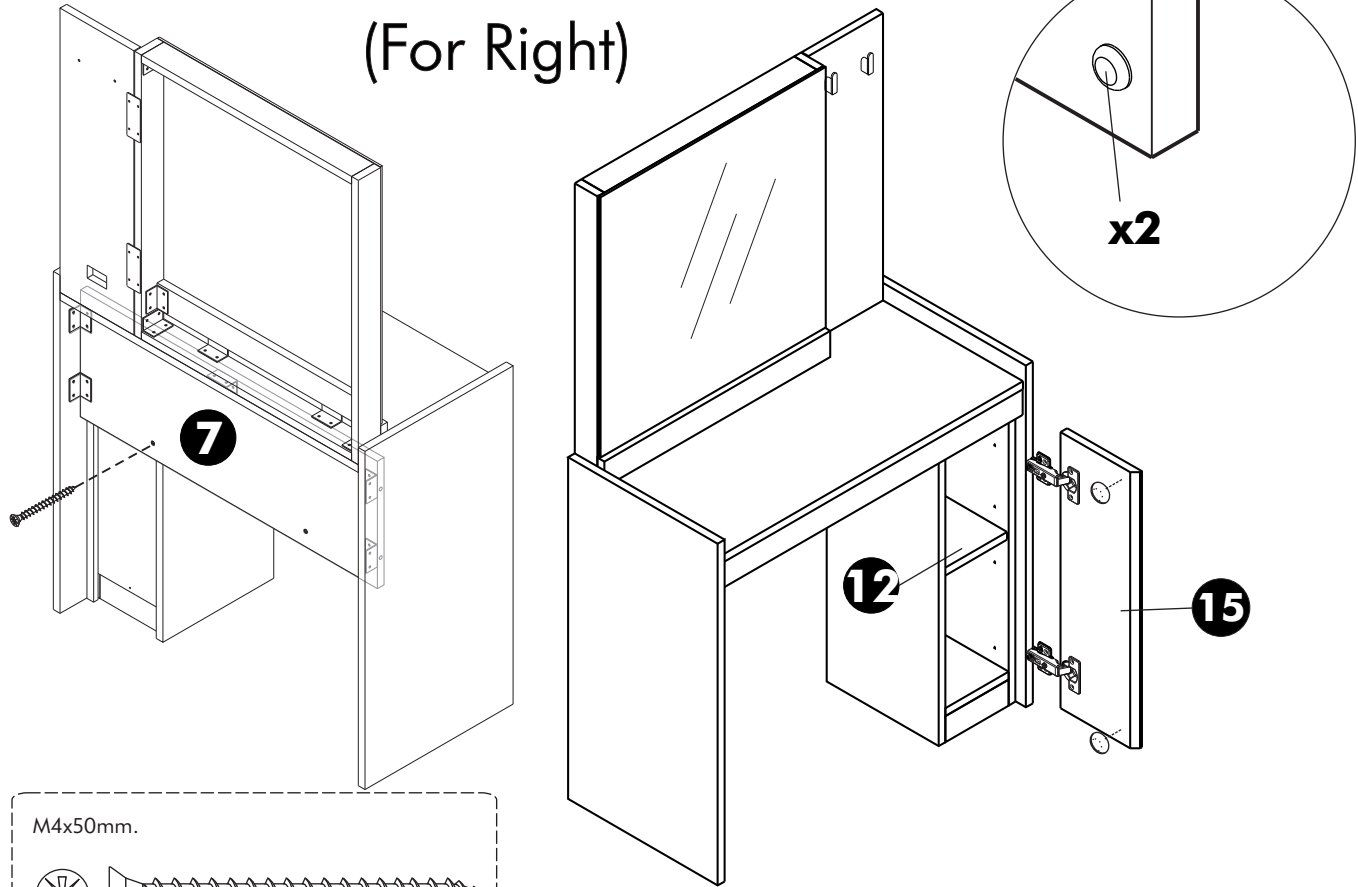
8.

(For Left)



9.

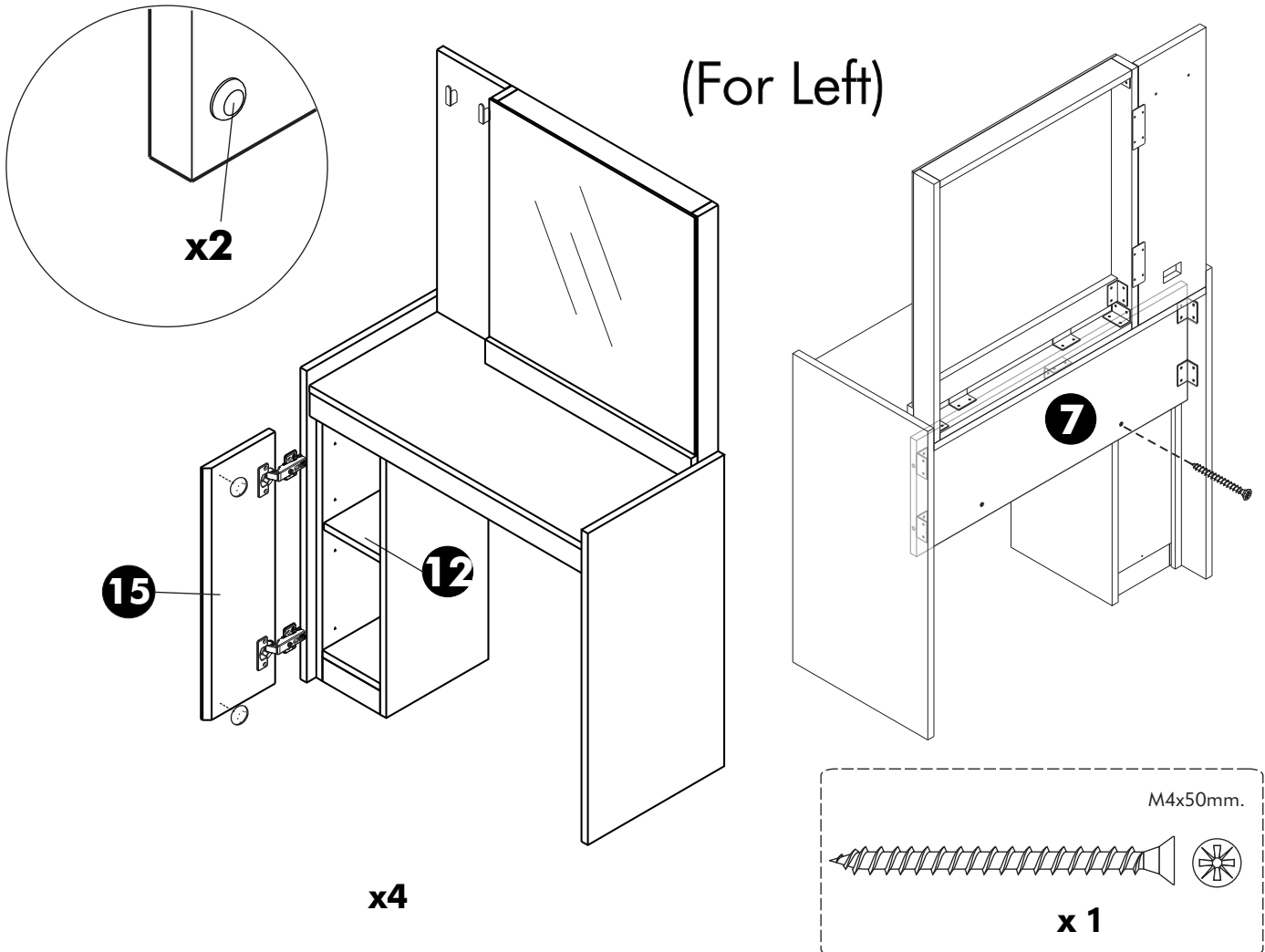
(For Right)



x4

10.

(For Left)



x4