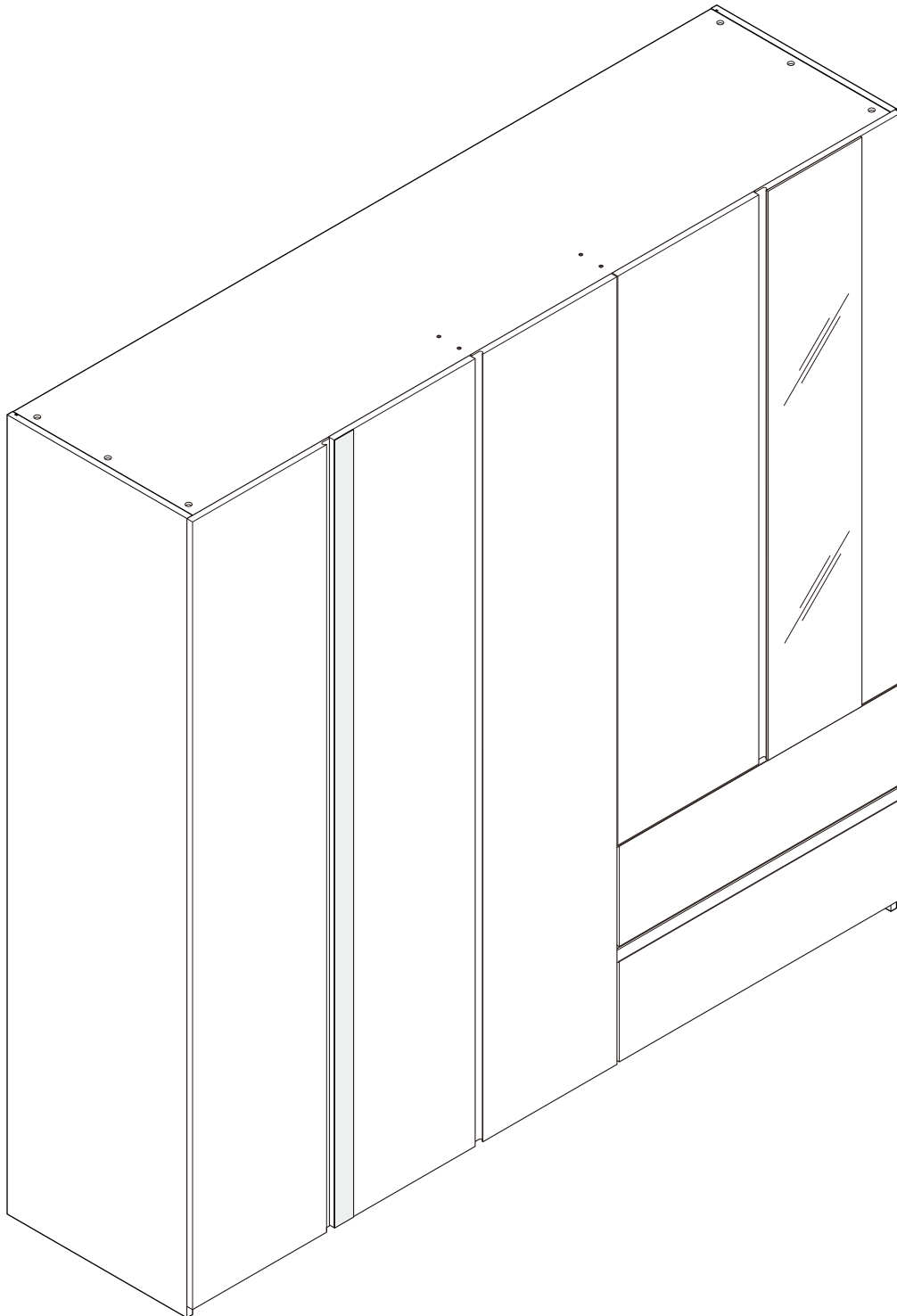
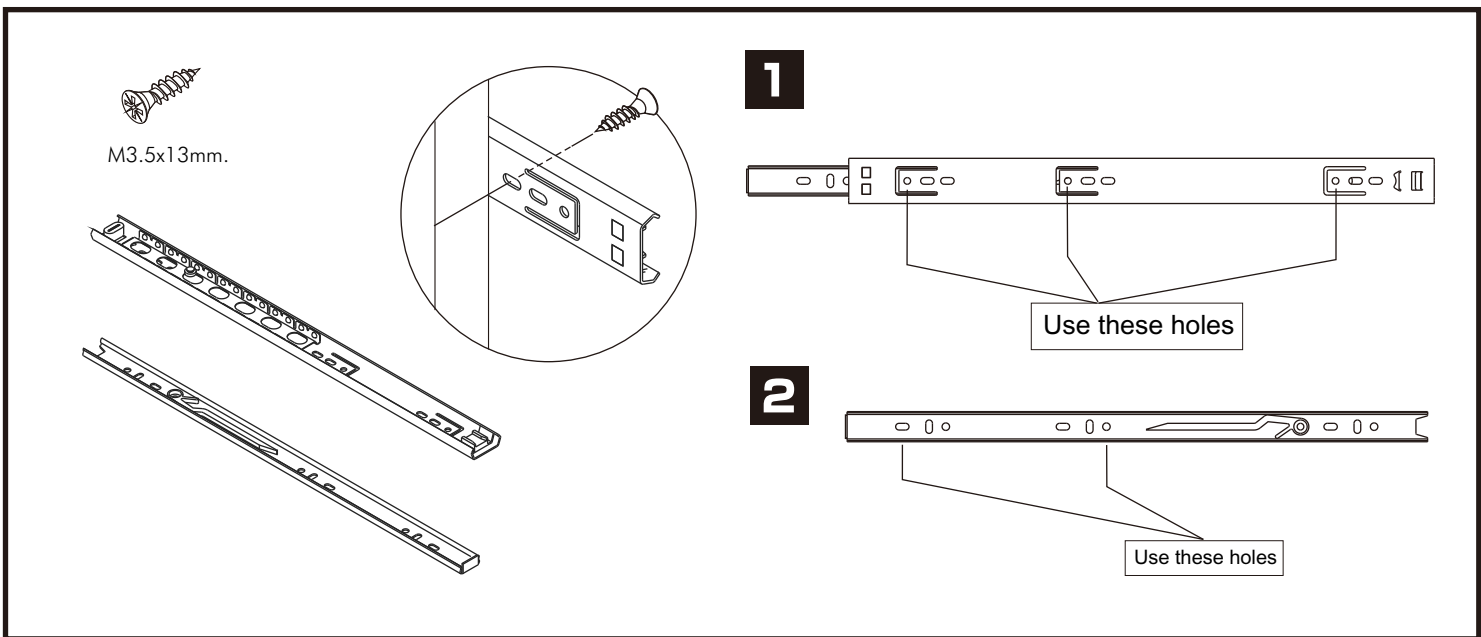
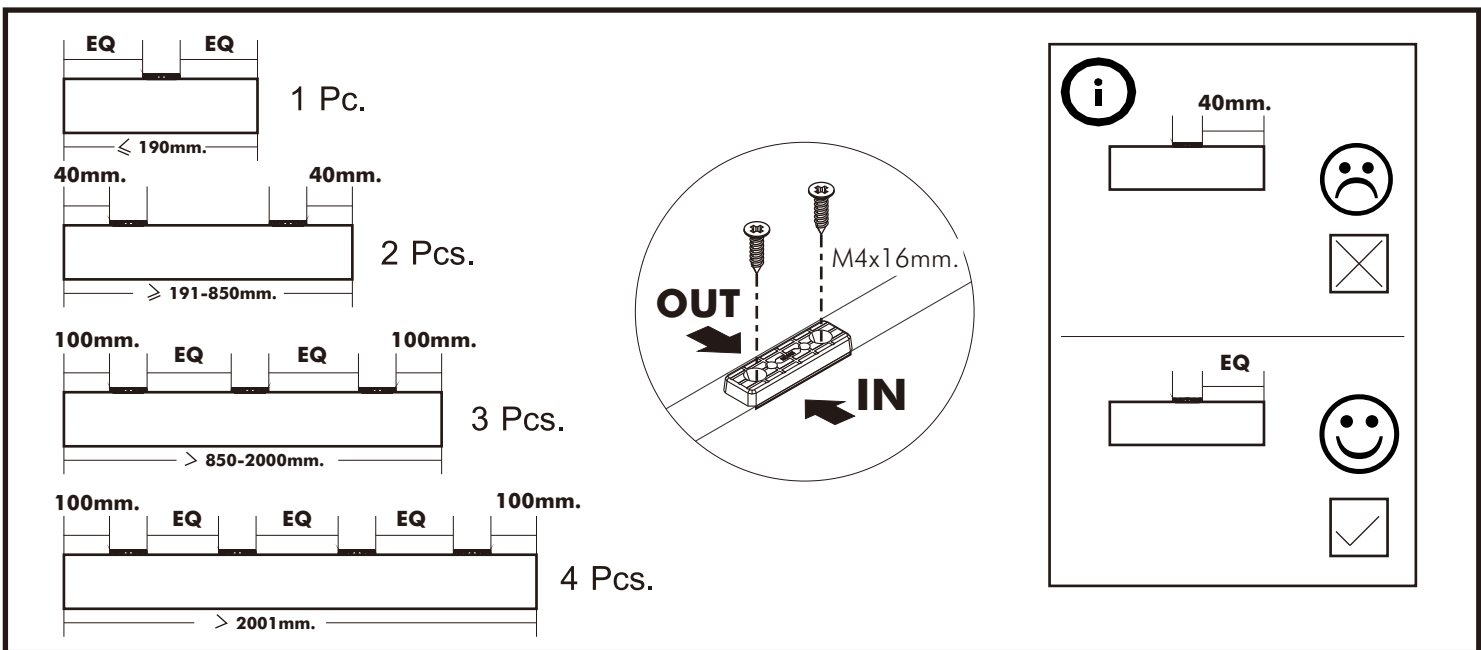
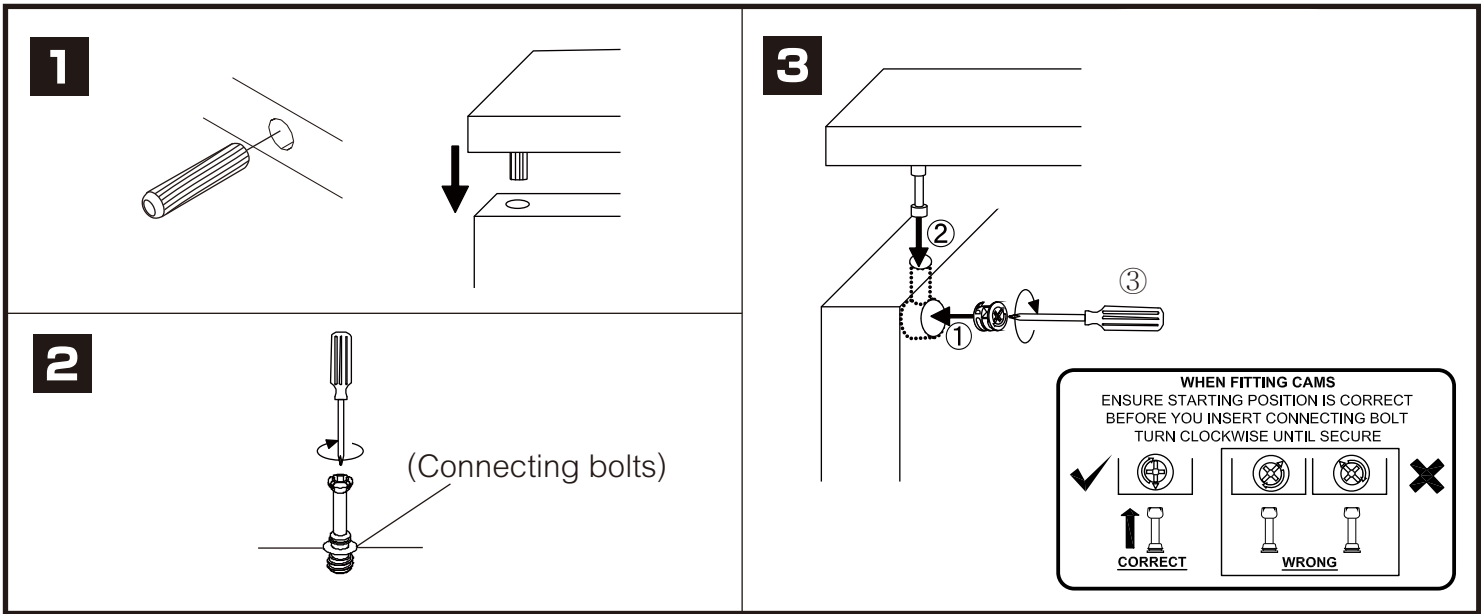


CARRARA-P

Wardrobe 5 doors

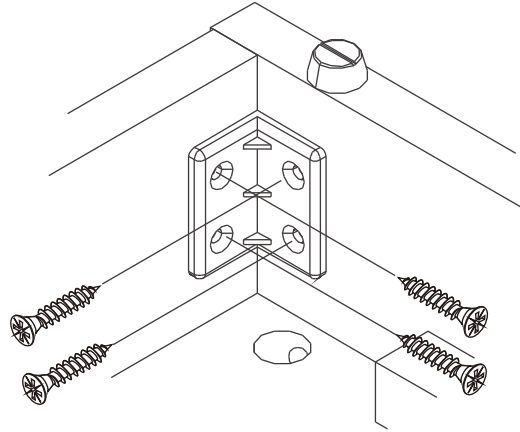
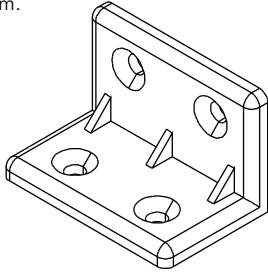


CONNECT SYSTEM

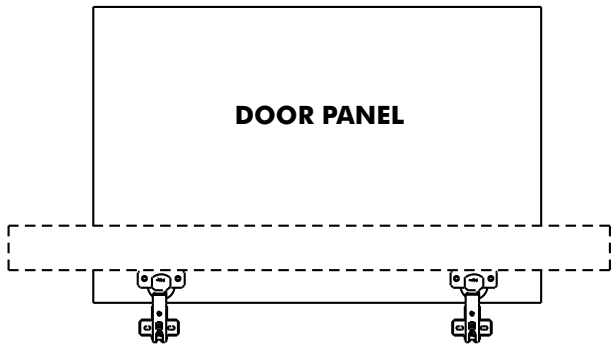




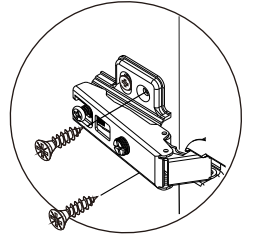
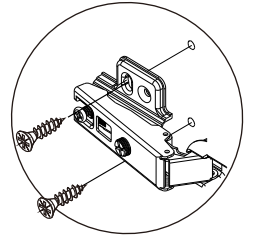
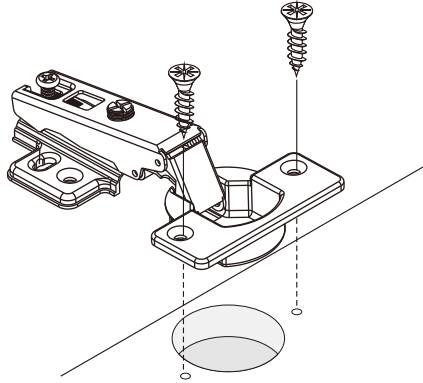
M4x16mm.



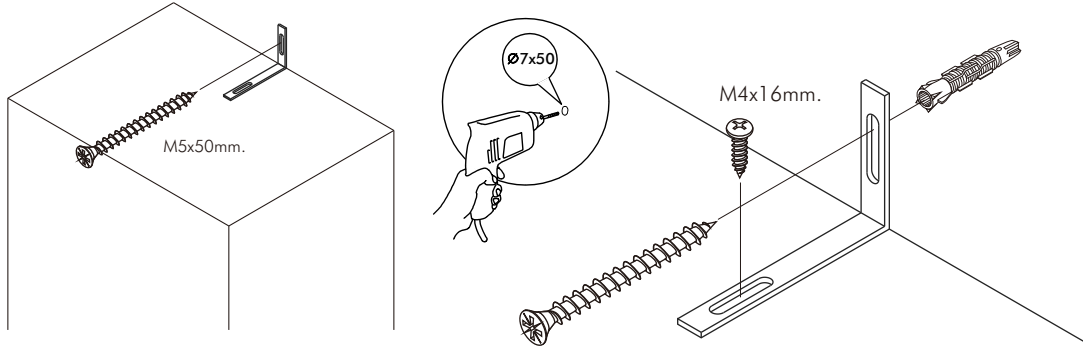
M4x16mm.



DOOR PANEL



x2



The Standard for identifying which mounted safety fall protection fitting to use **Note : That children's products must be installed with all anti-falling fittings.**

■ Mounted fall protection fittings



■ Category : Cabinet with open doors

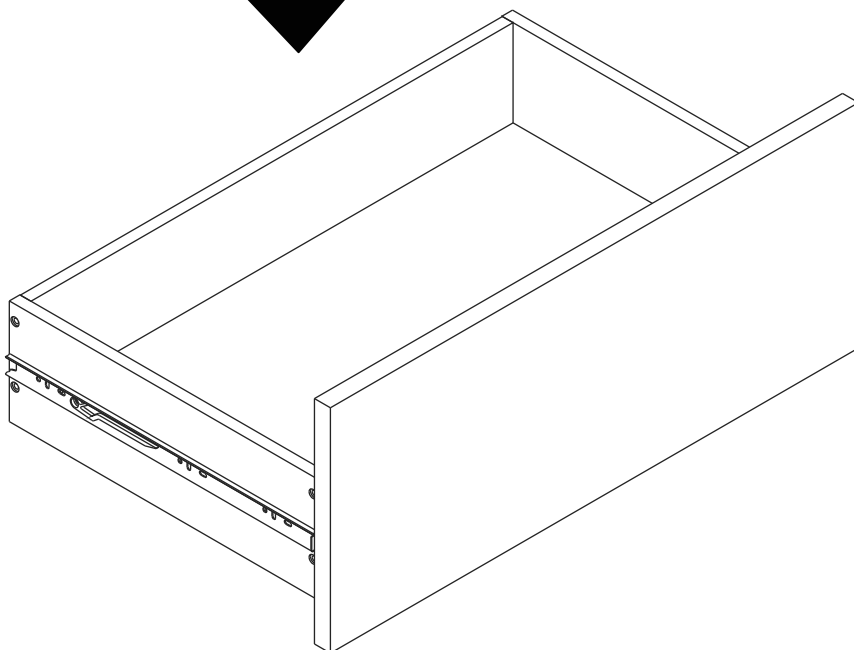
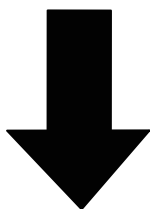
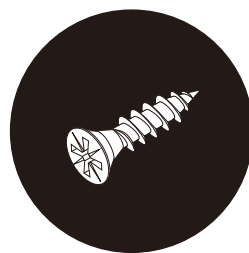
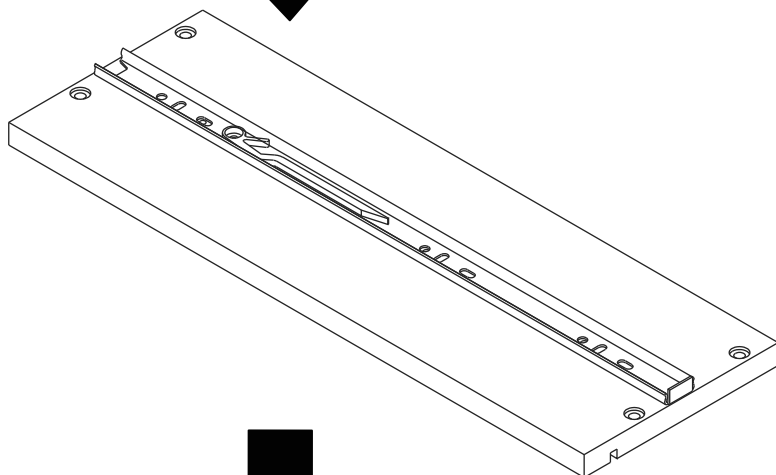
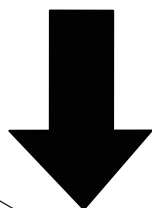
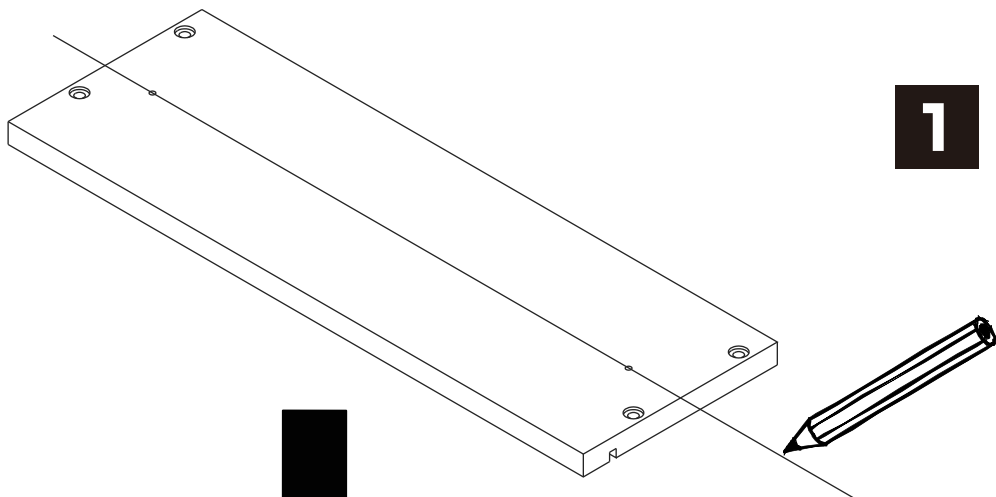


■ Category : Chest of drawers



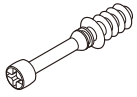
■ Category : Sliding door cabinet / Open cabinet





HARDWARE

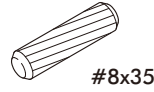
-BODY SET



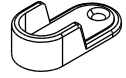
x 27



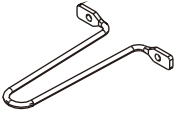
x 27



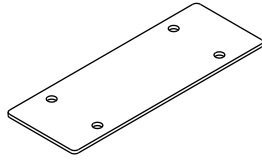
x 34



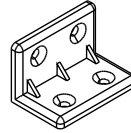
x 4



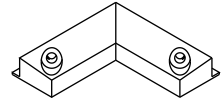
x 2



x 2



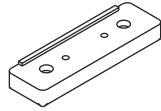
x 33



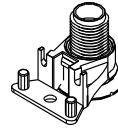
x 2



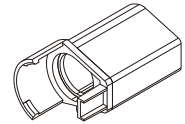
x 2



x 16



x 8



x 8



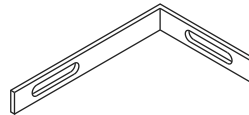
5x18 mm.

x 8

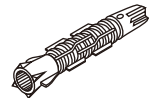


20mm.

x 2



x 3



x 3



M3.5x13mm.

x 8



M4x16mm.

x 172



M3.5x20mm.

x 4



M4x25mm.

x 6



M4x40mm.

x 8



M4x50mm.

x 18



M5x50mm.

x 3



M4x13mm.

x 13



M4x16mm.

x 51

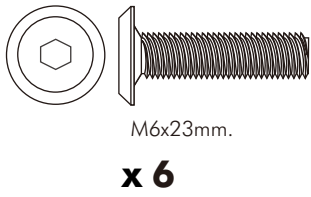
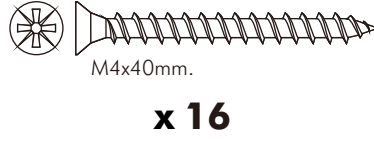
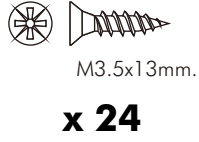
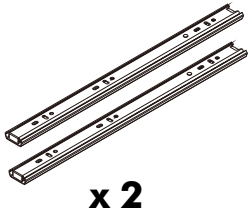


M4x30mm.

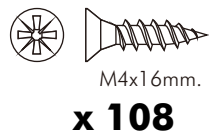
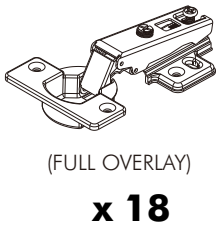
x 8

HARDWARE

-DRAWER SET



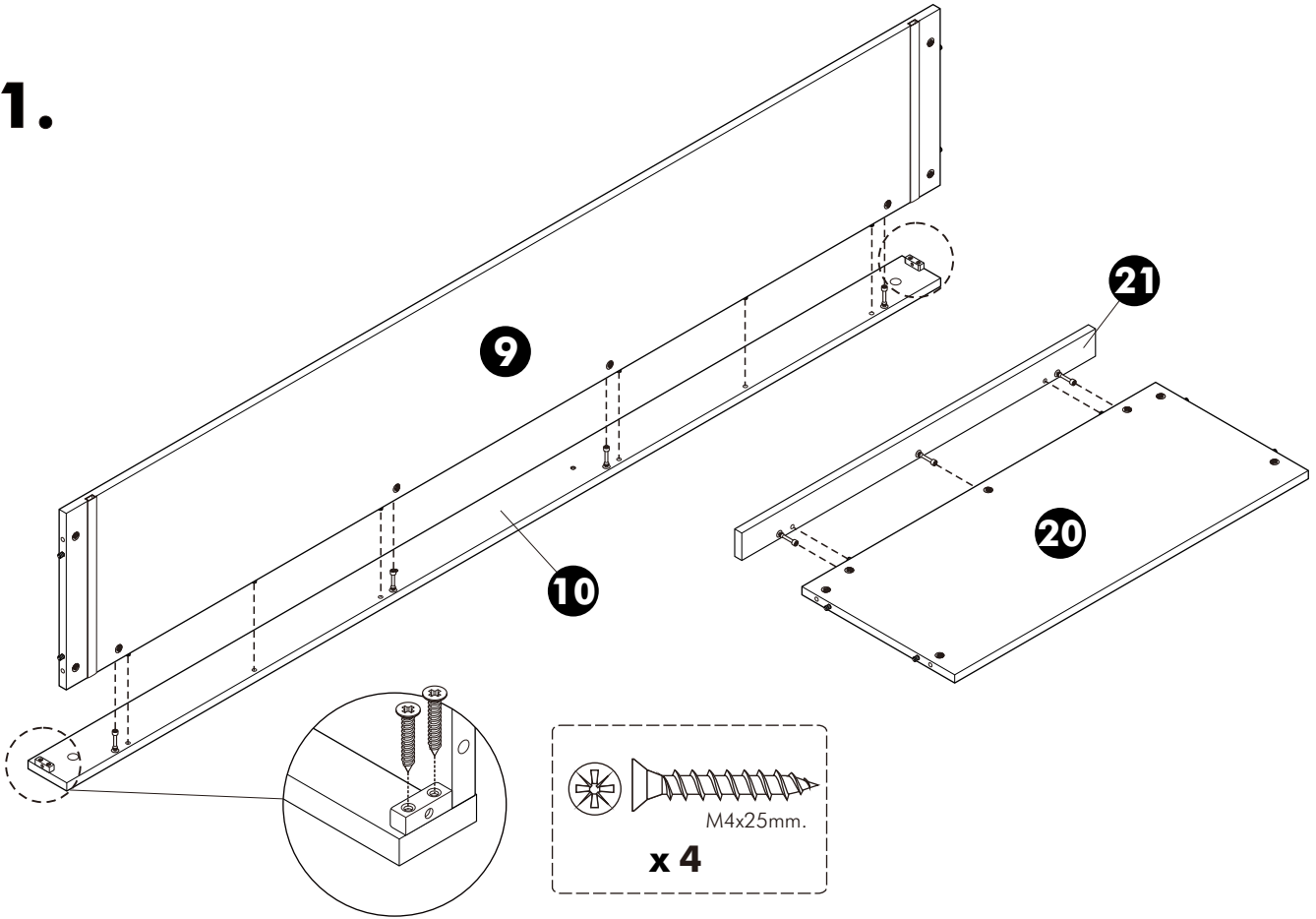
-DOOR SET



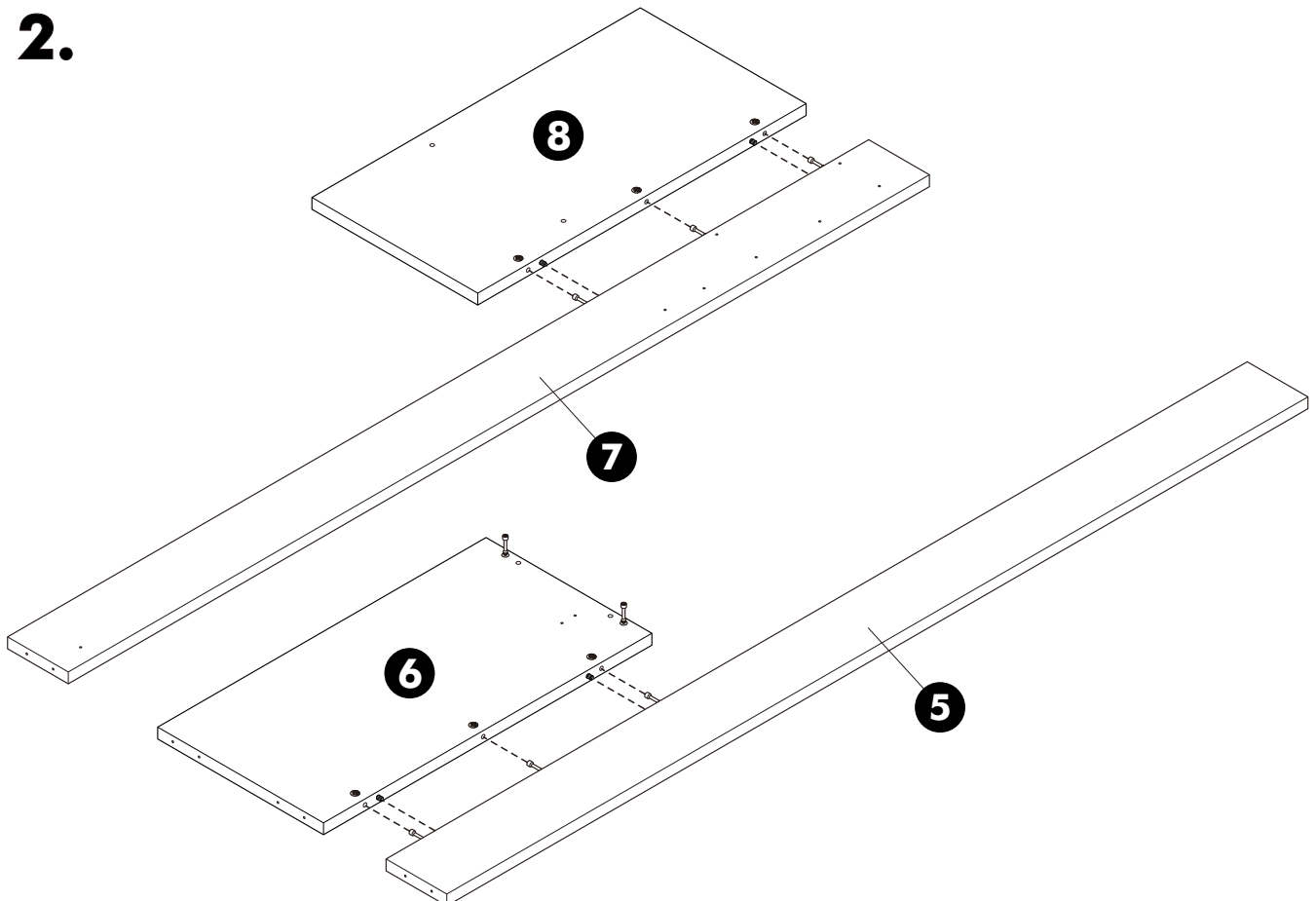
ASSEMBLY

-BODY SET

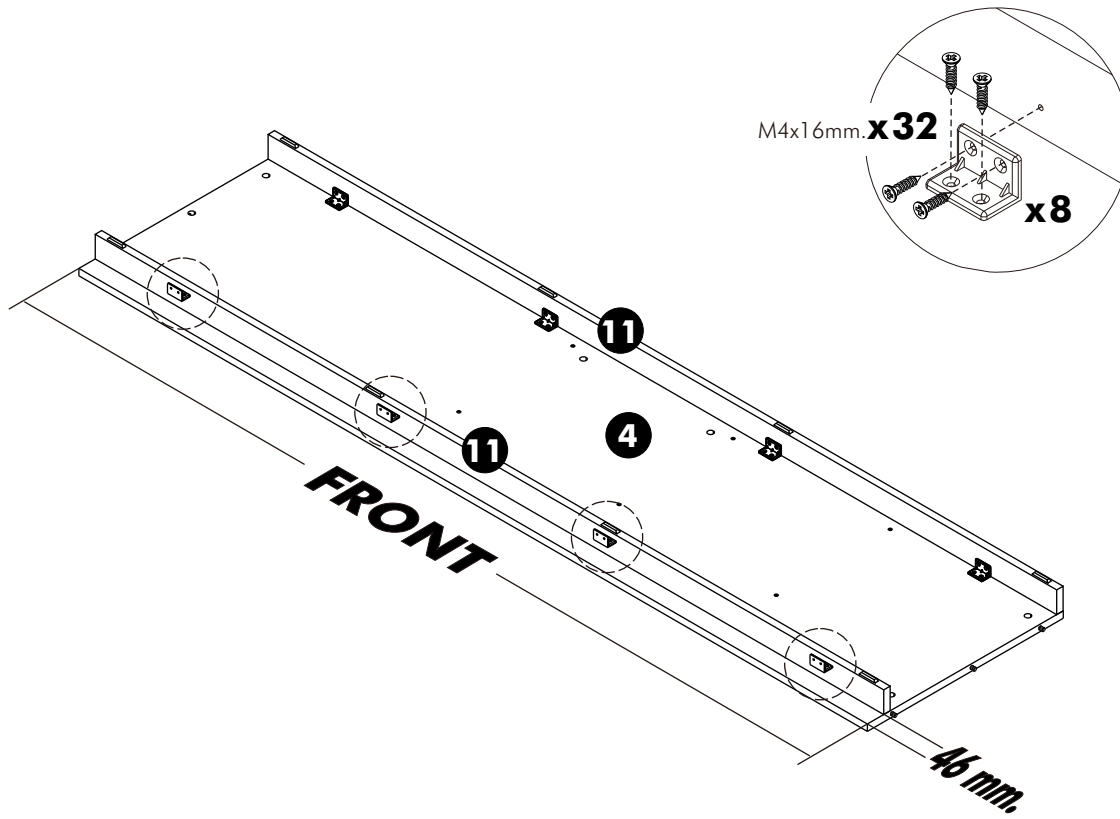
1.



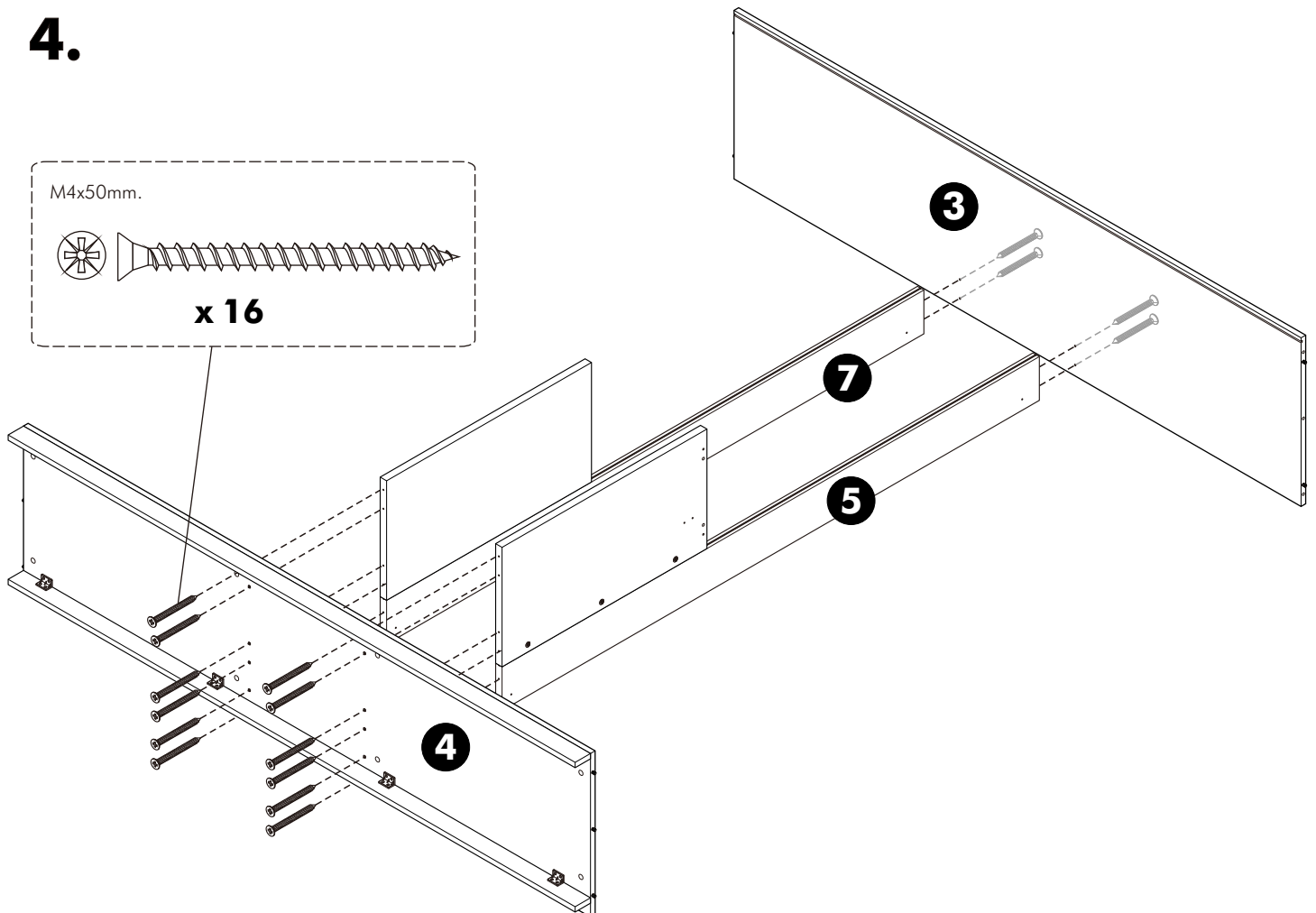
2.



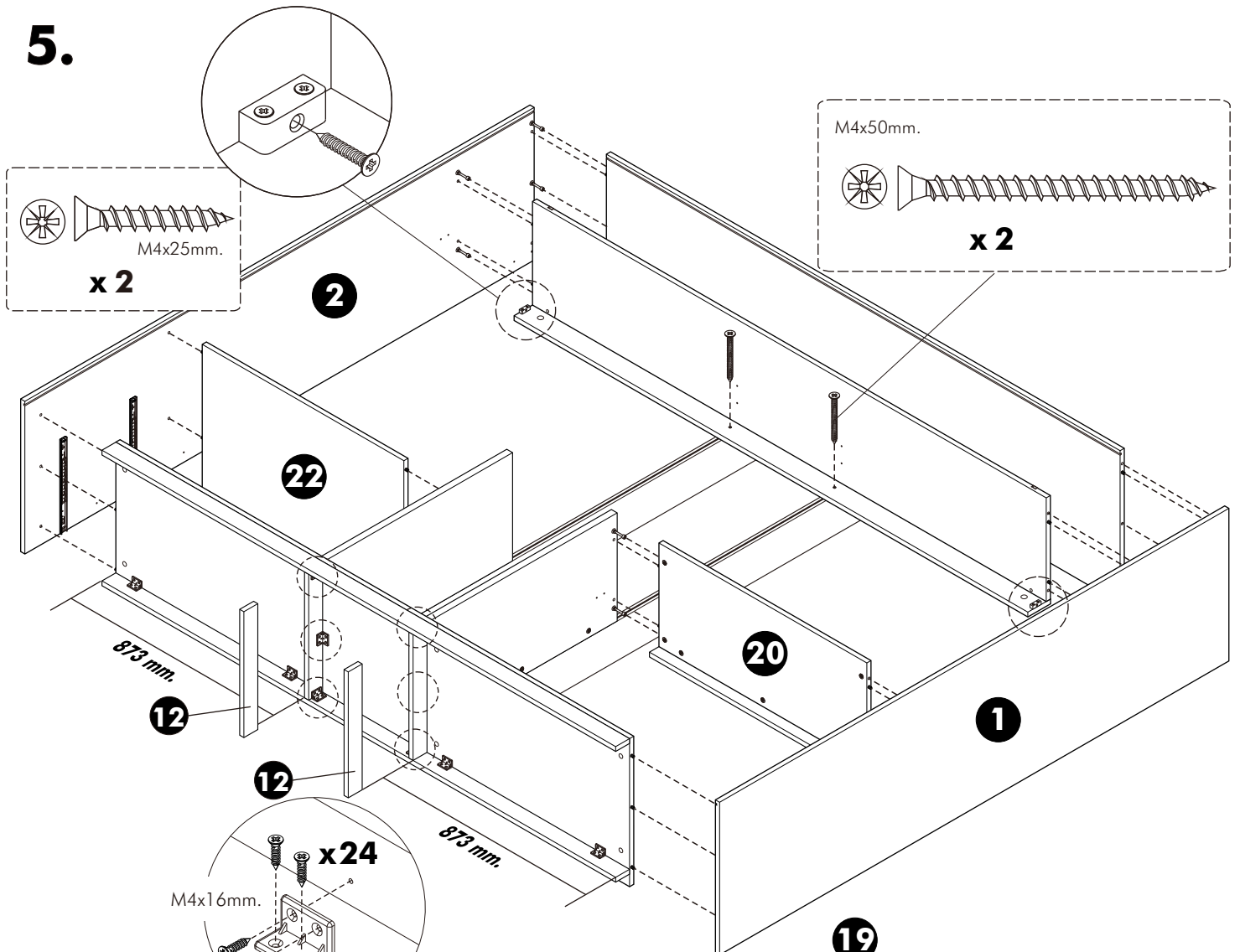
3.



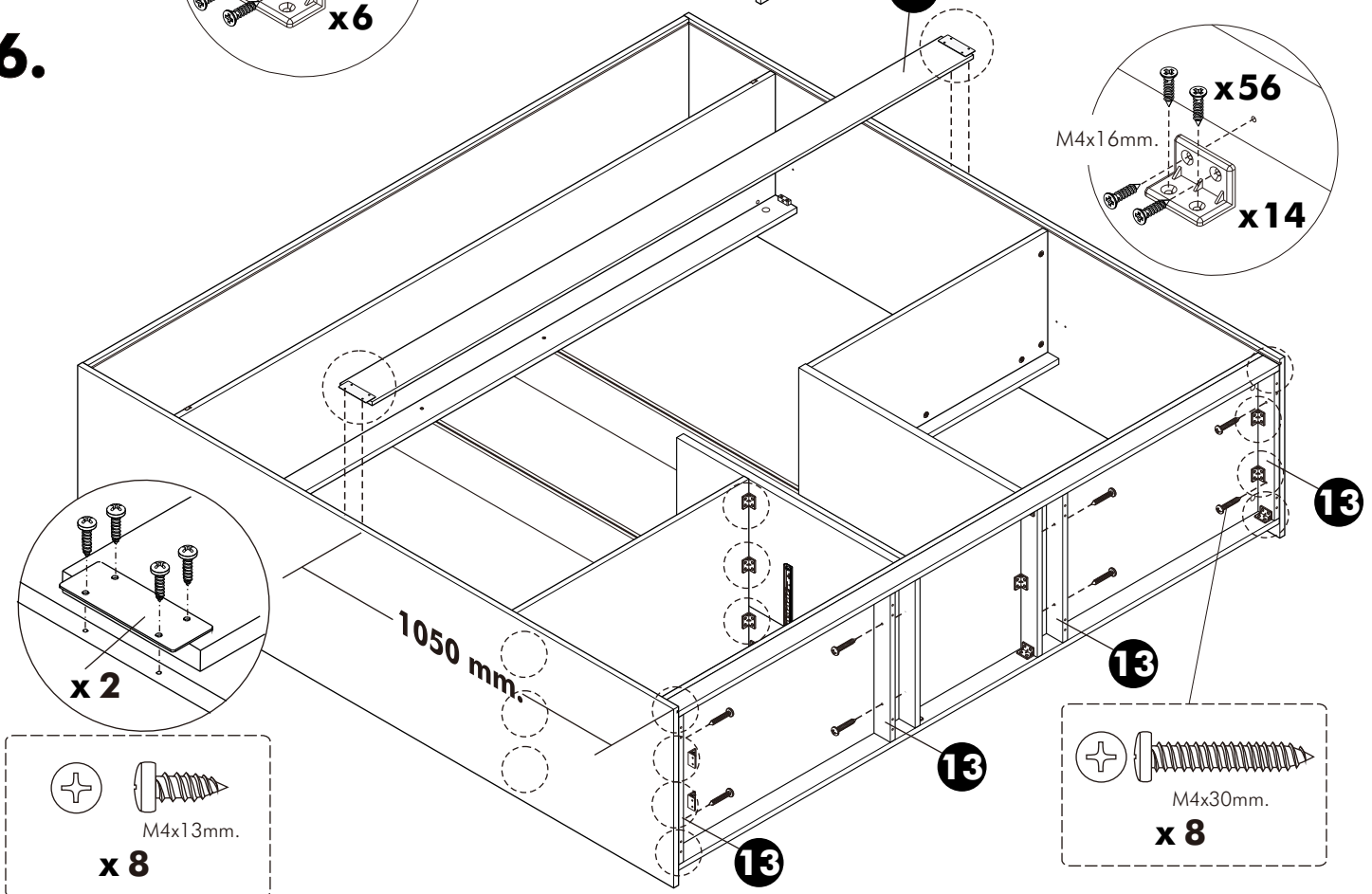
4.



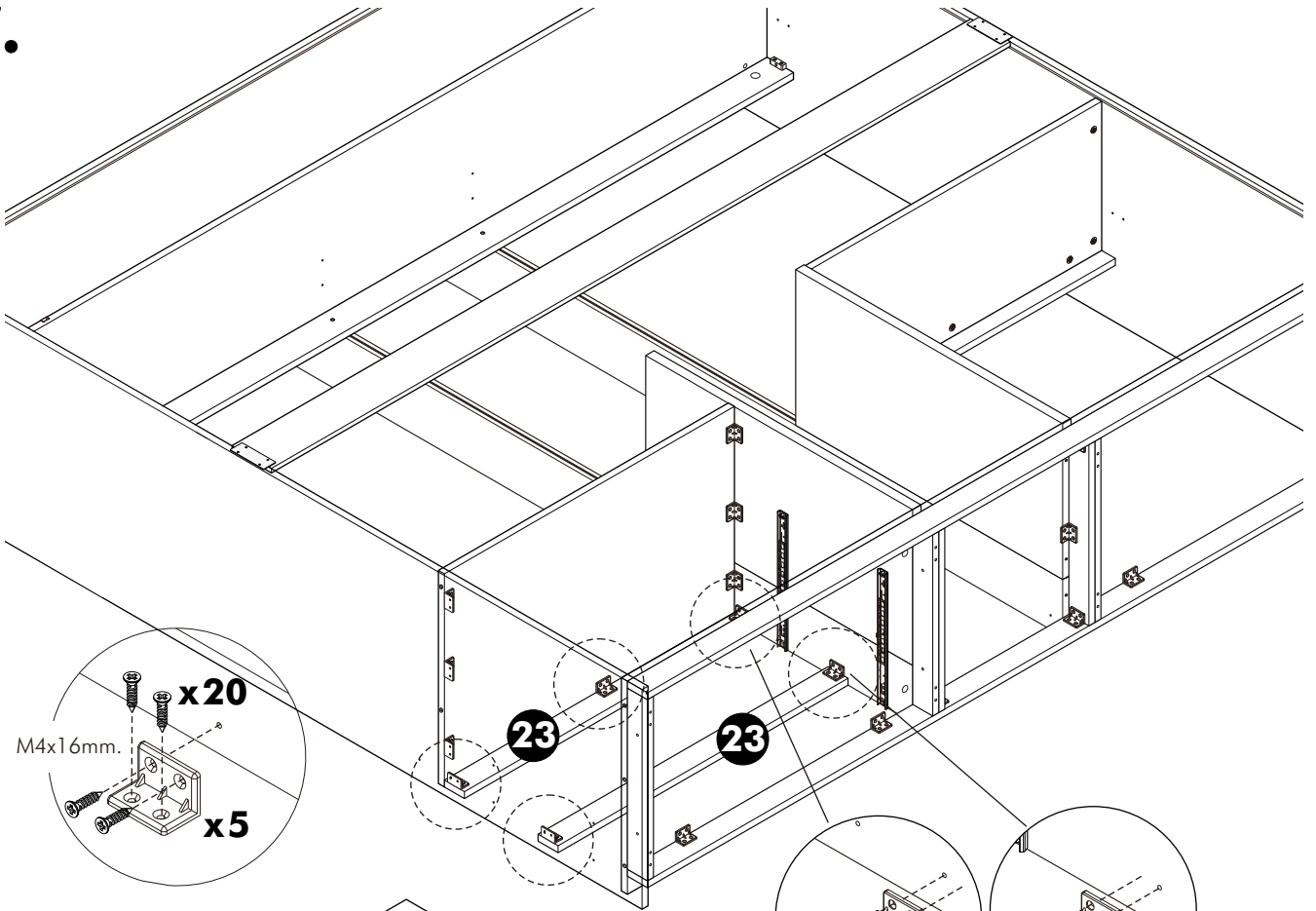
5.



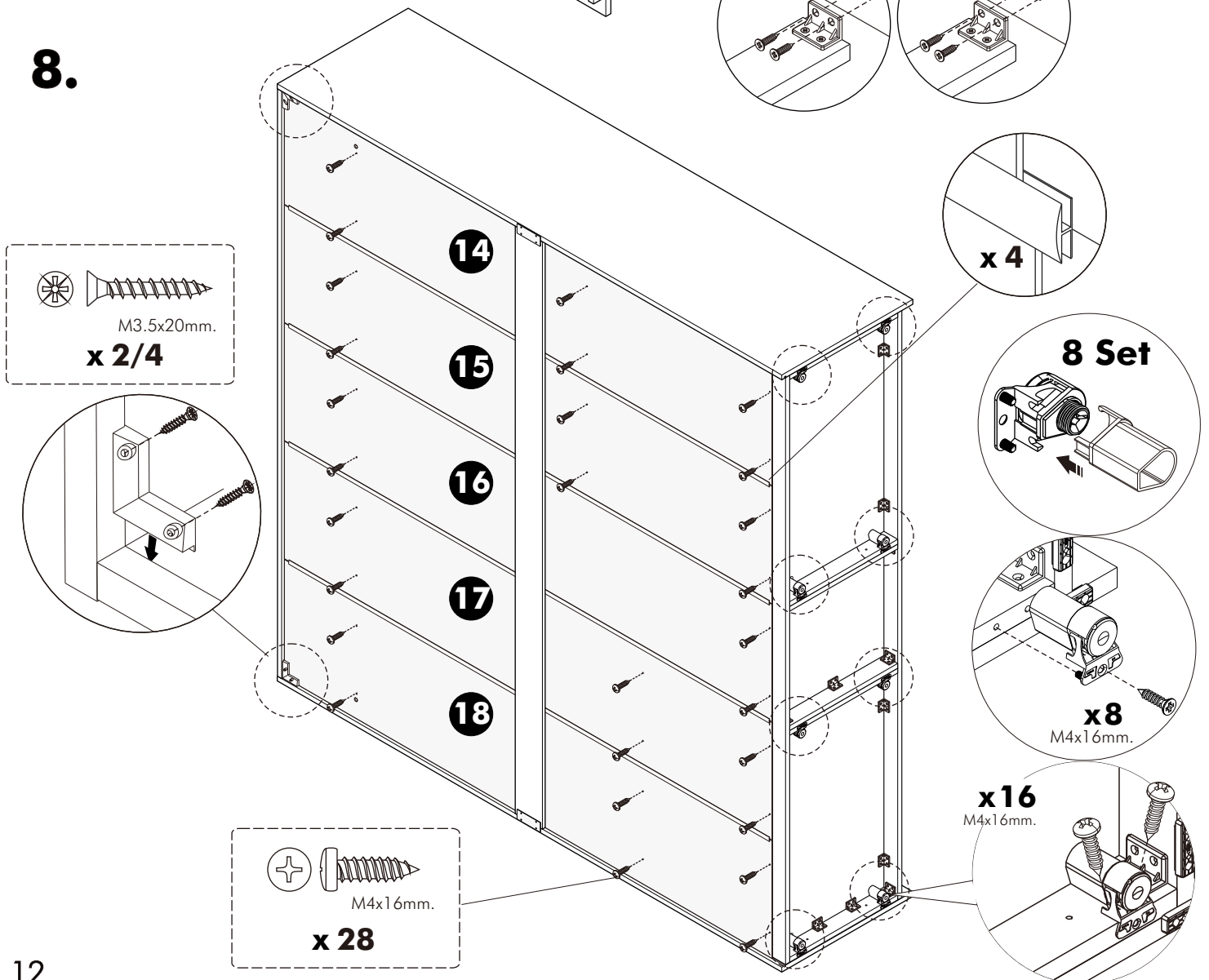
6.



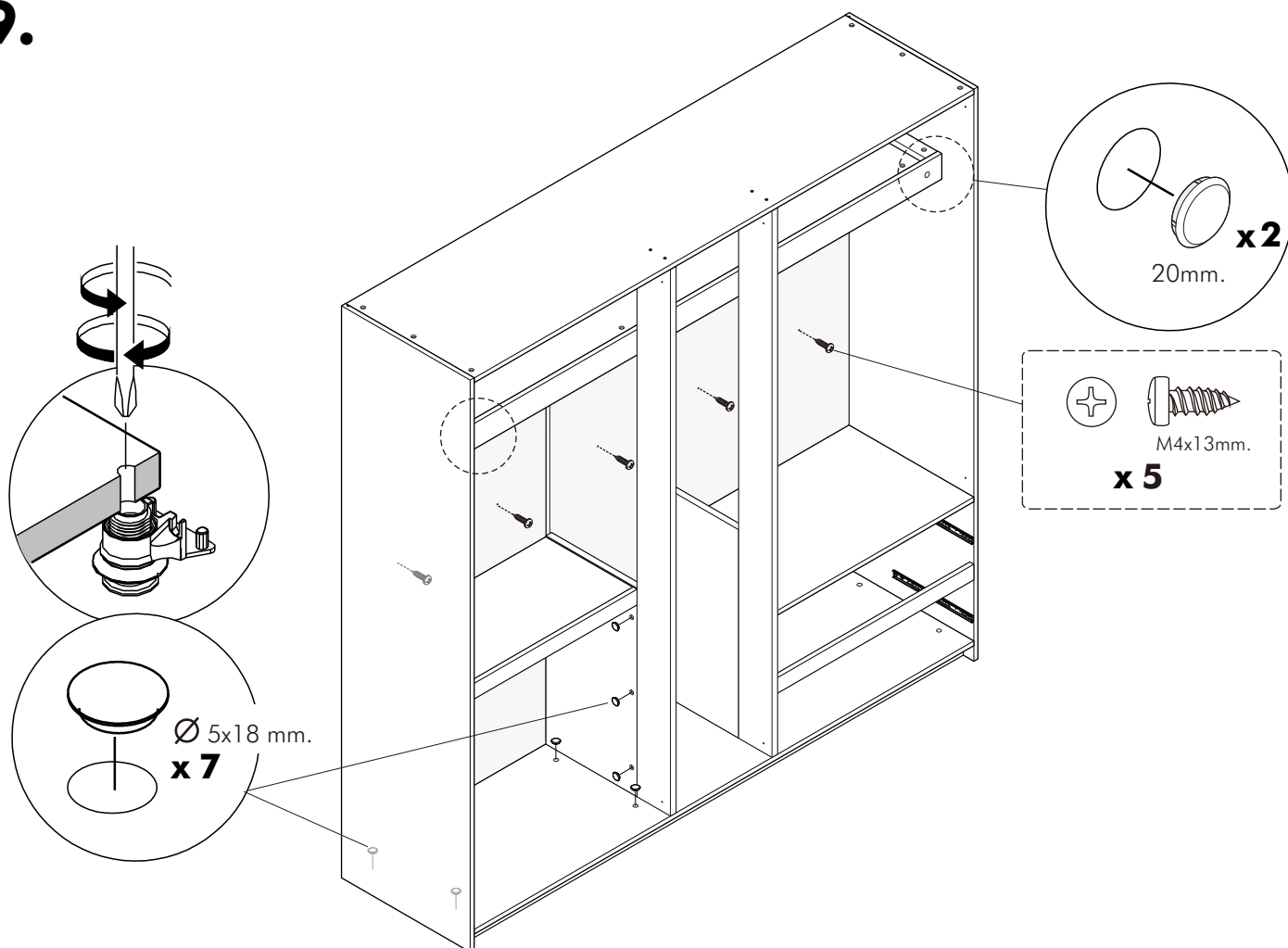
7.



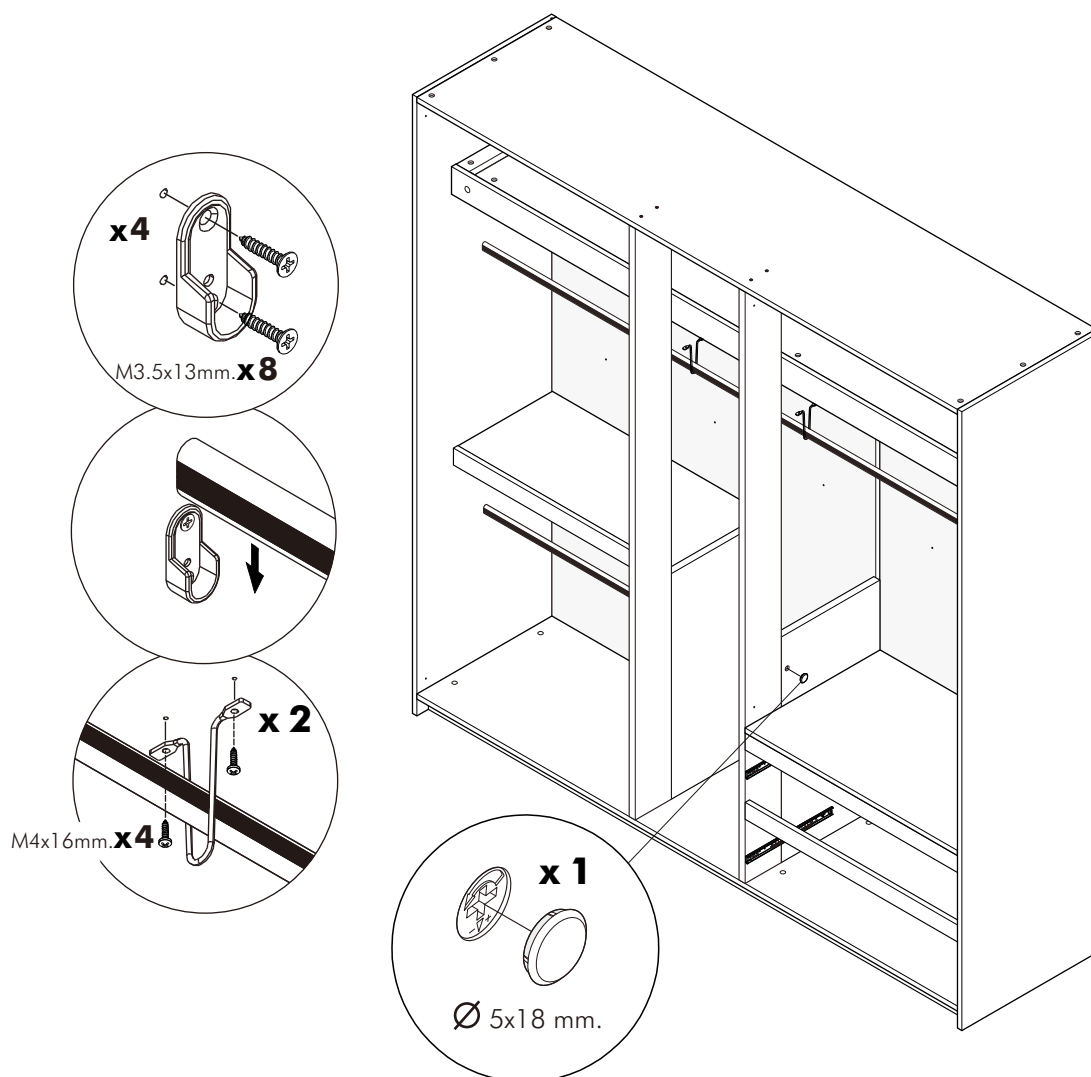
8.



9.

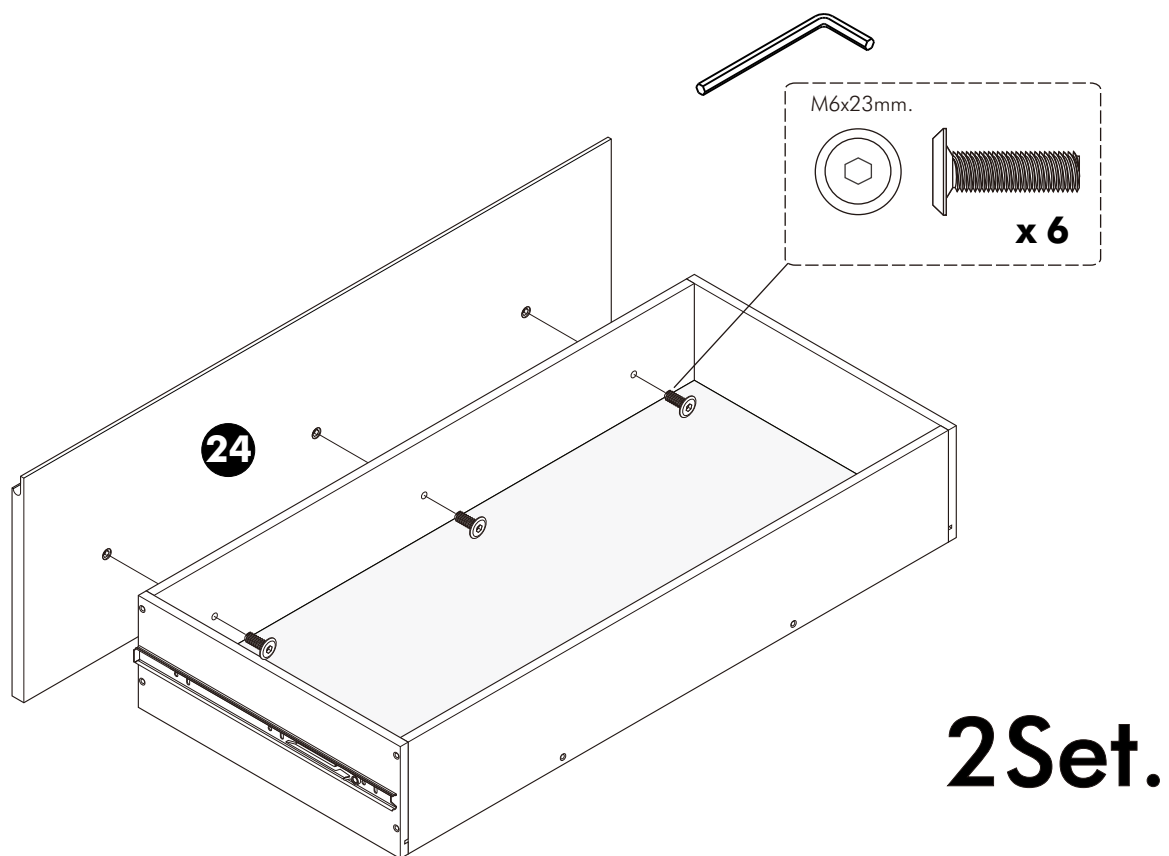
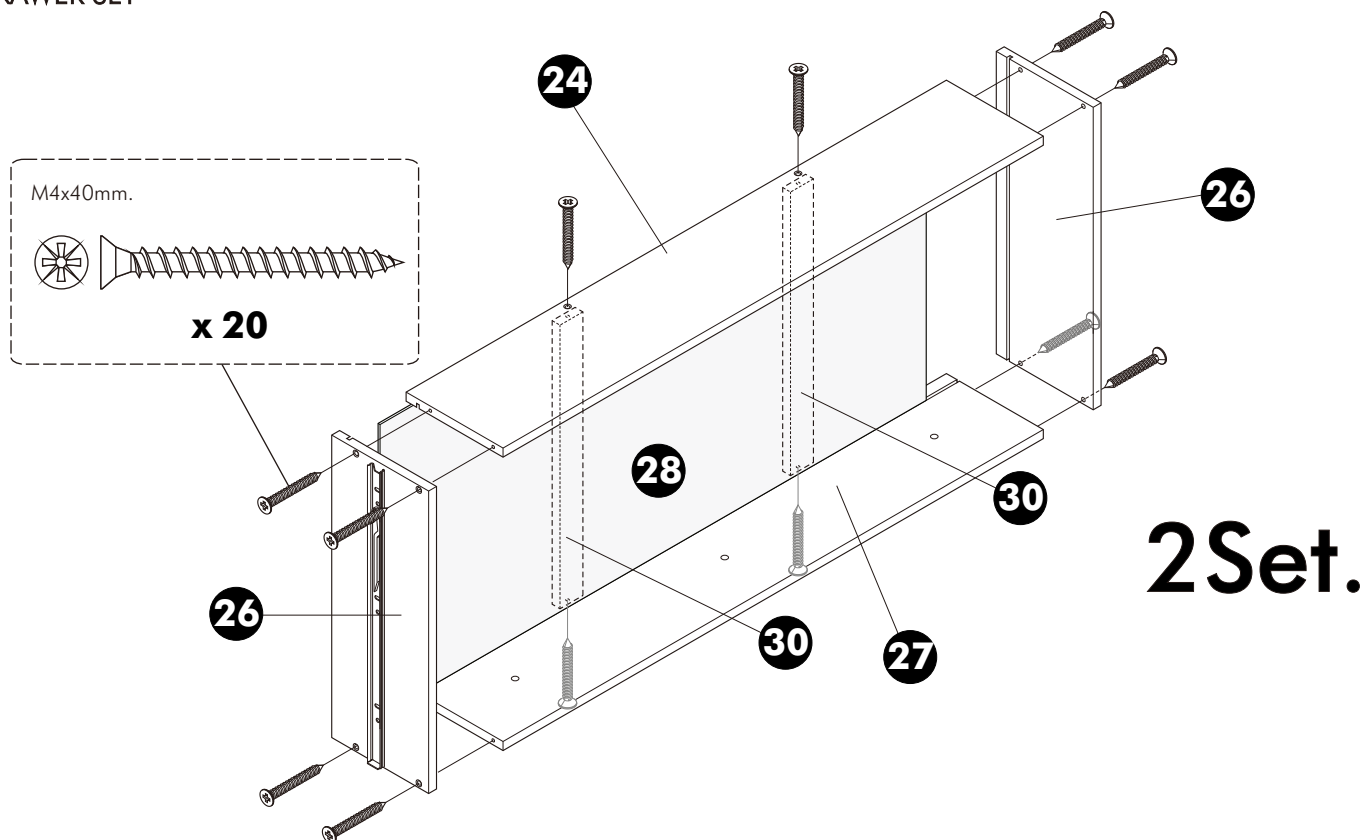


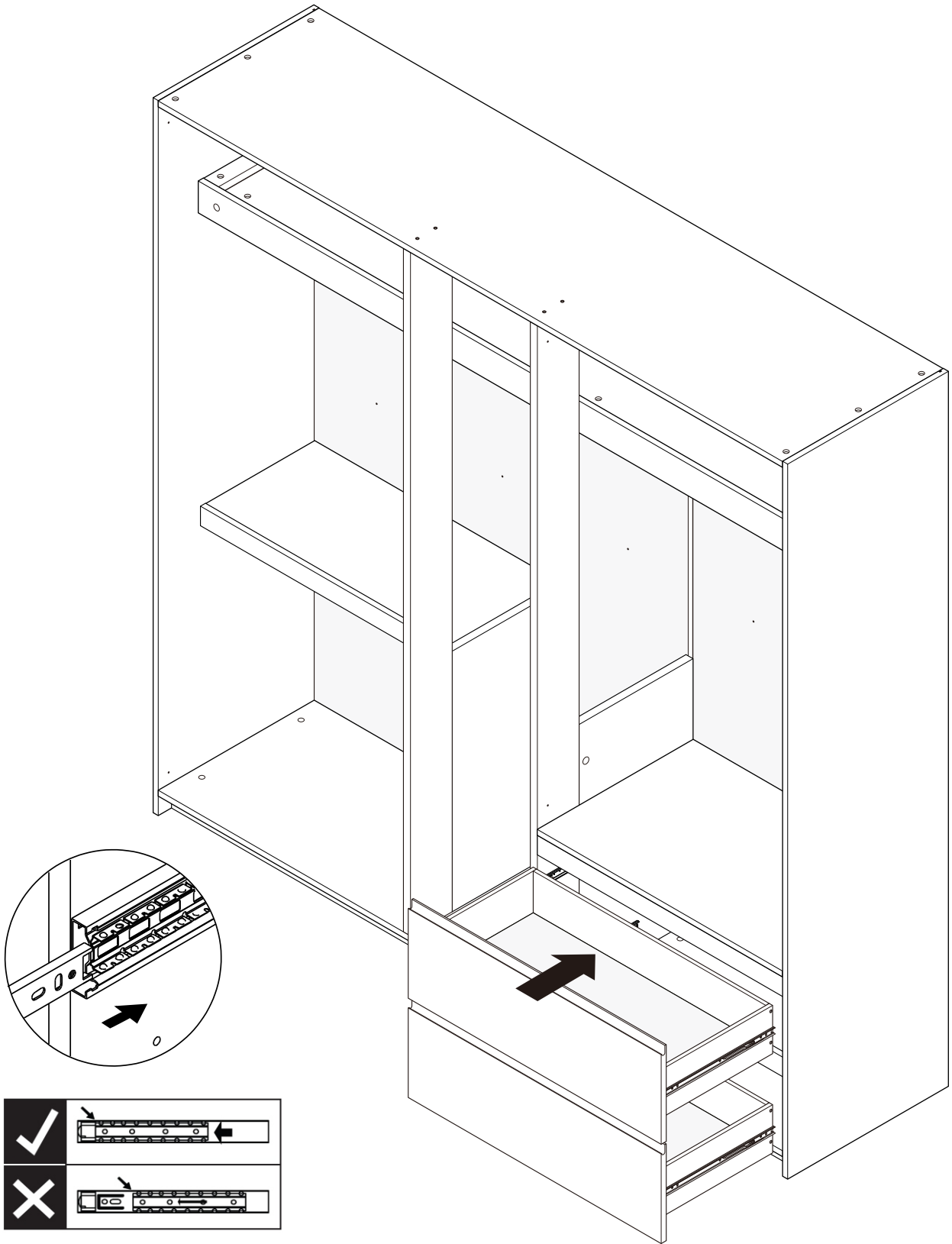
10.



ASSEMBLY

-DRAWER SET

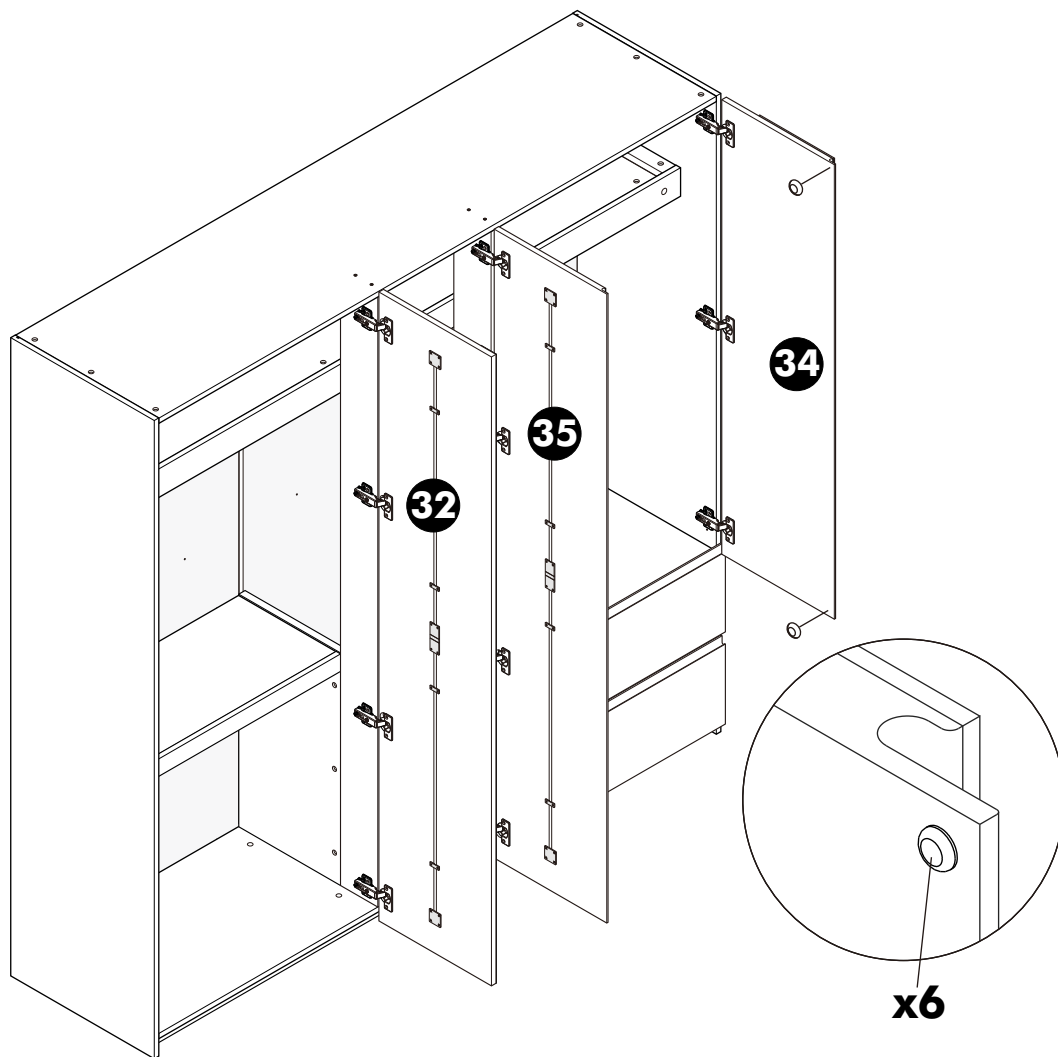




ASSEMBLY

-DOOR SET

1.



2.

