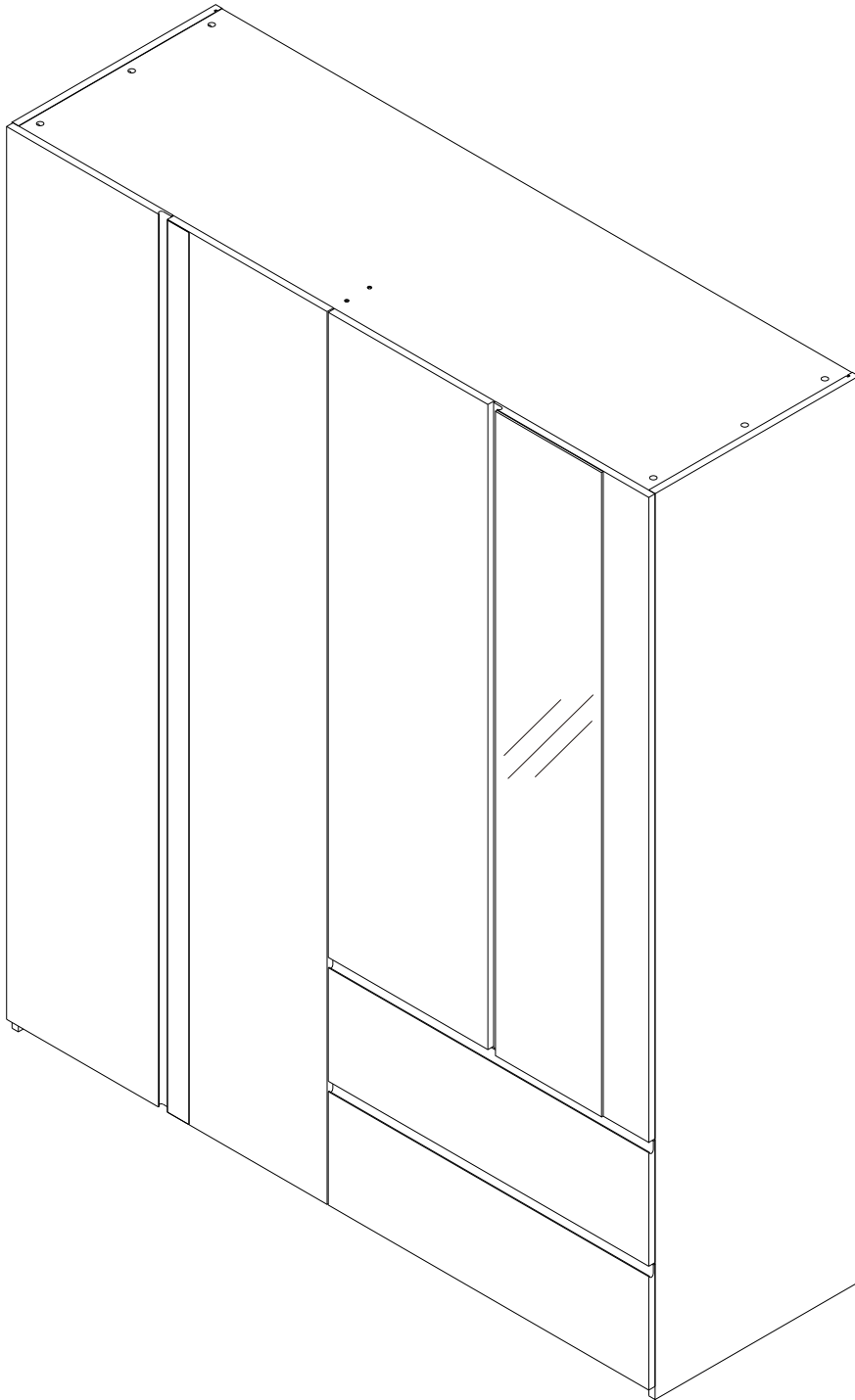
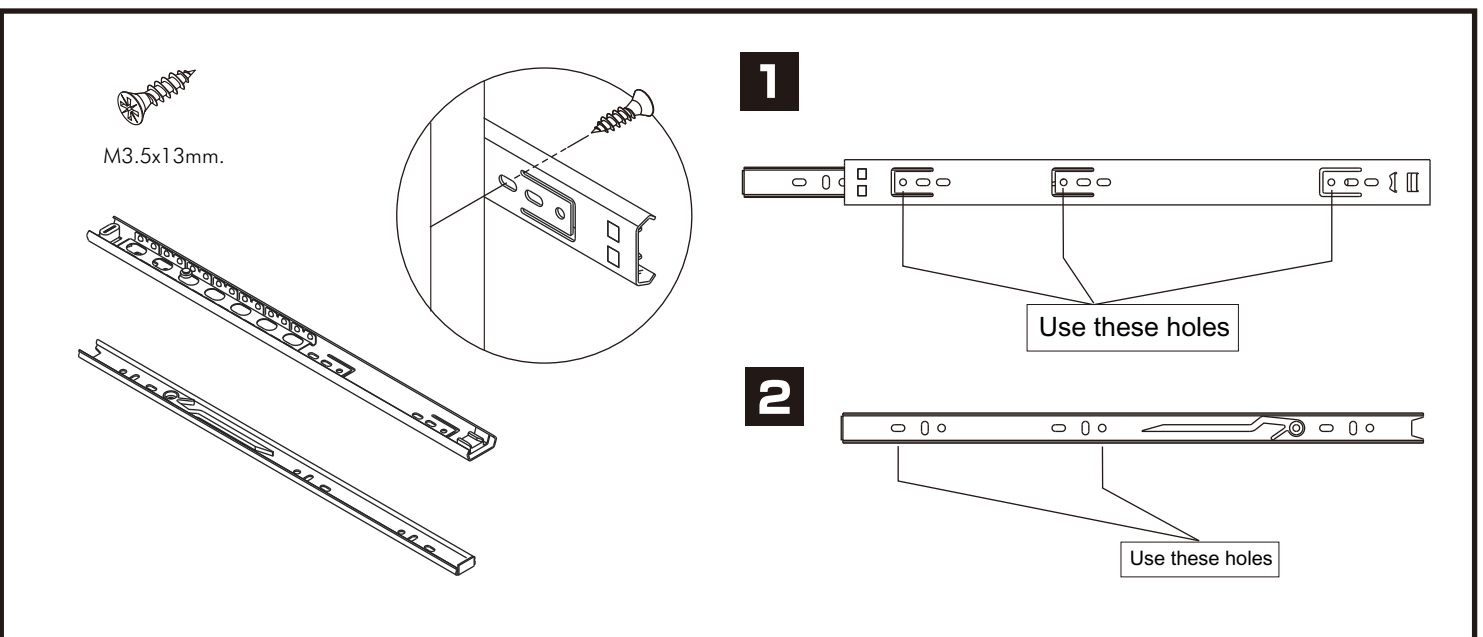
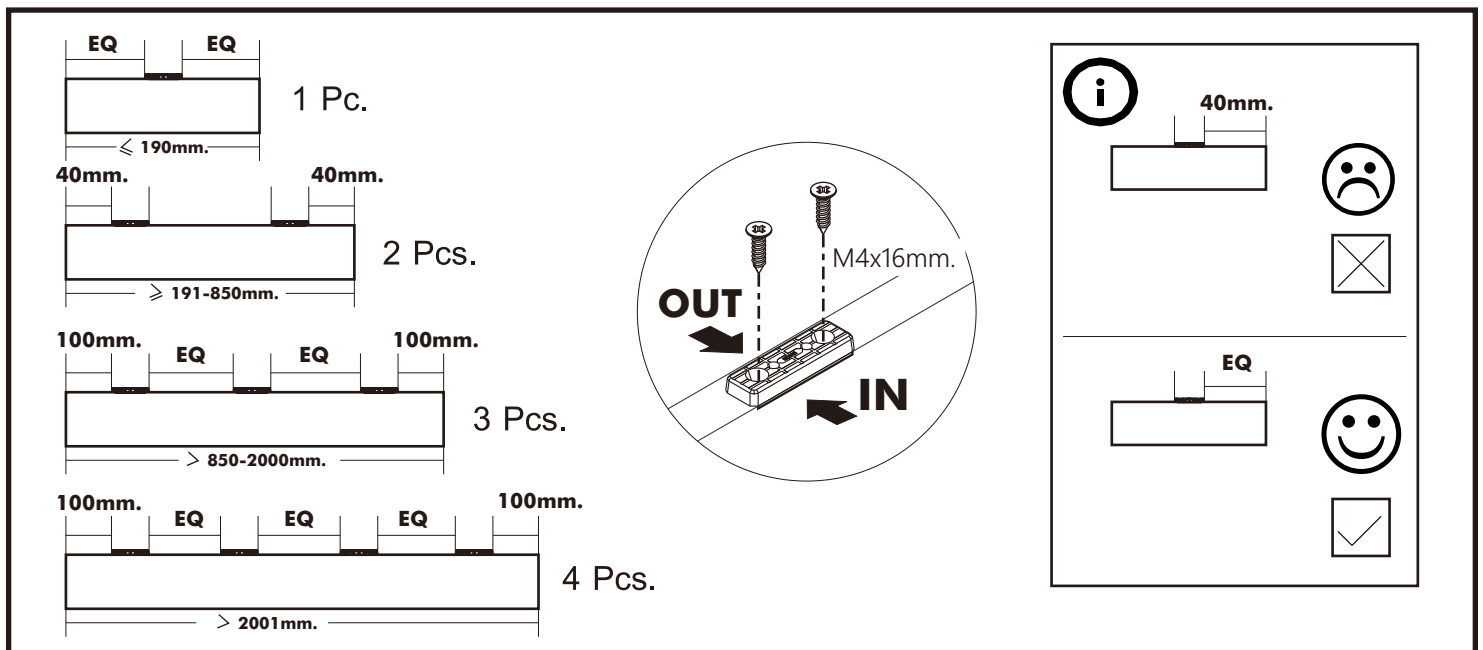
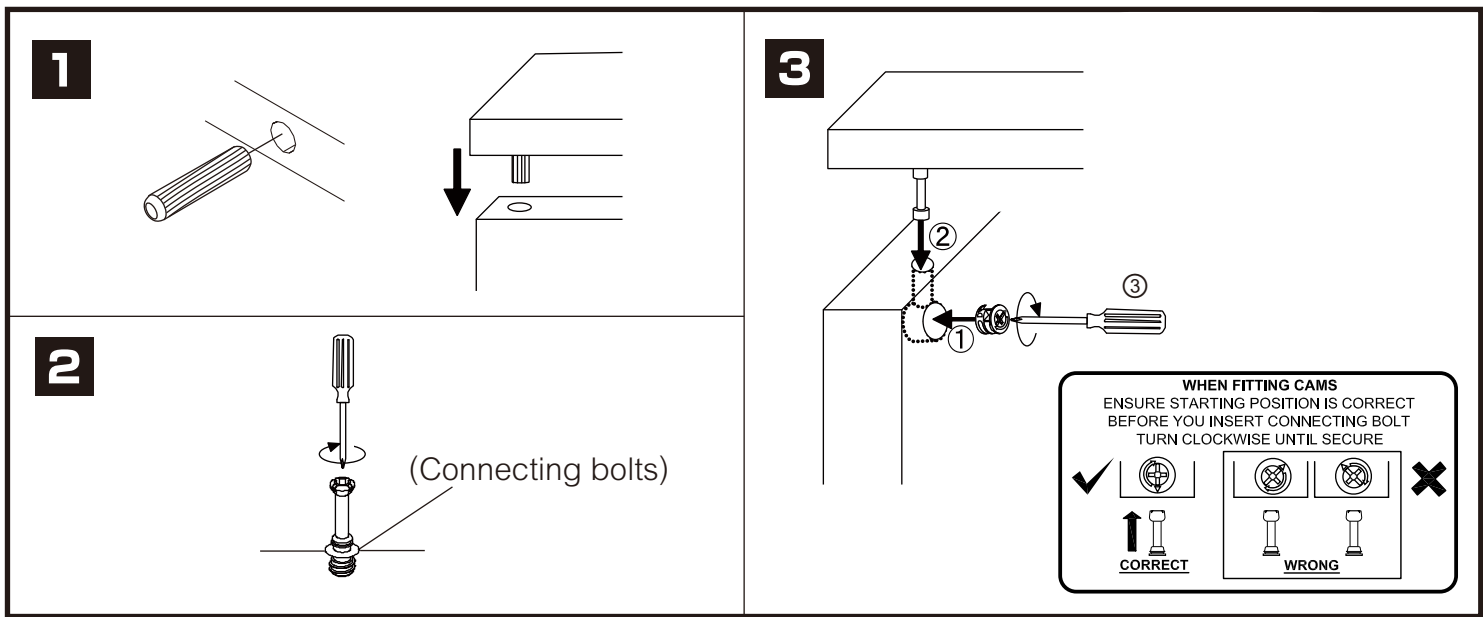


CARRARA-P

Wardrobe 4 doors

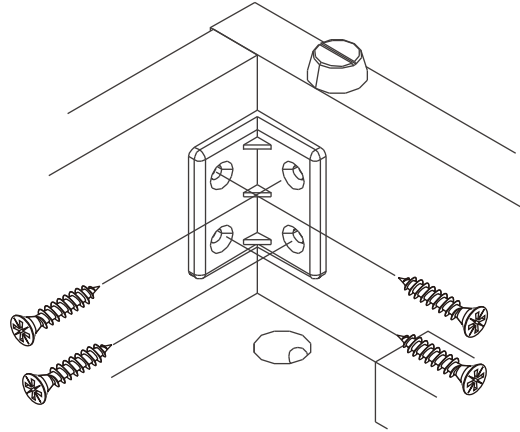
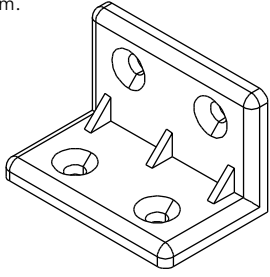


CONNECT SYSTEM

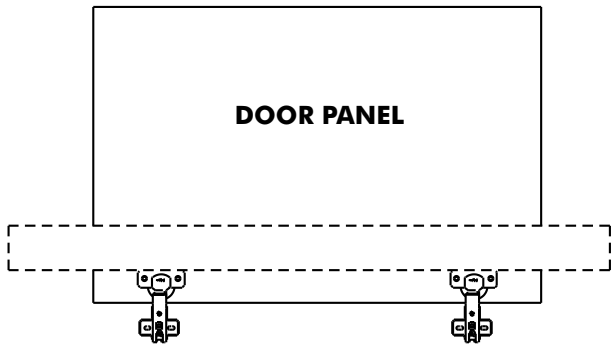




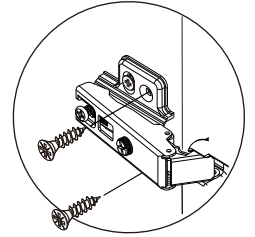
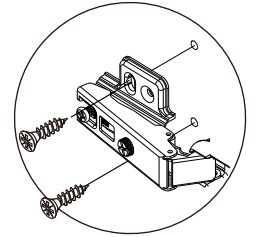
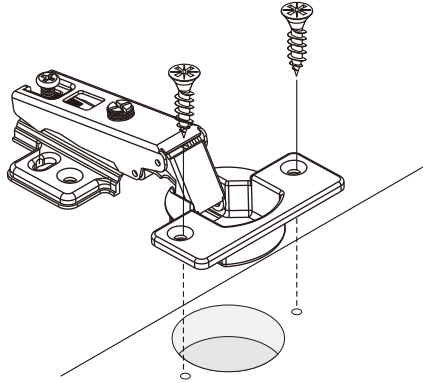
M4x16mm.



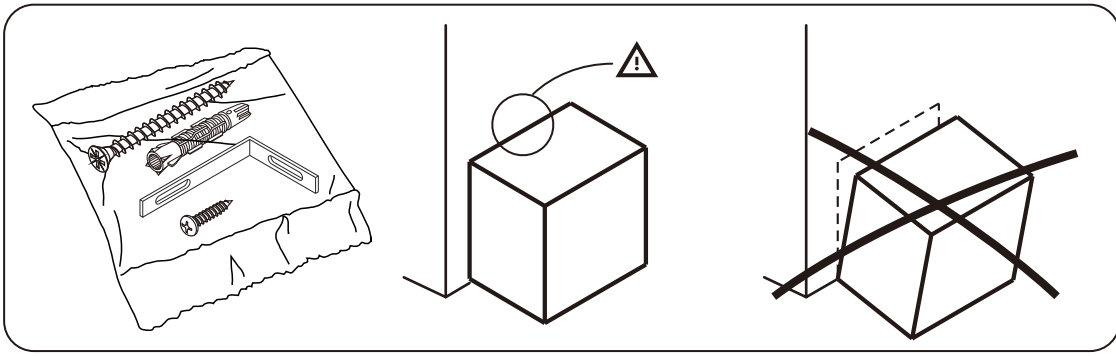
M4x16mm.



DOOR PANEL



x2



The Standard for identifying which mounted safety fall protection fitting to use **Note : That children's products must be installed with all anti-falling fittings.**

■ Mounted fall protection fittings



■ Category : Cabinet with open doors

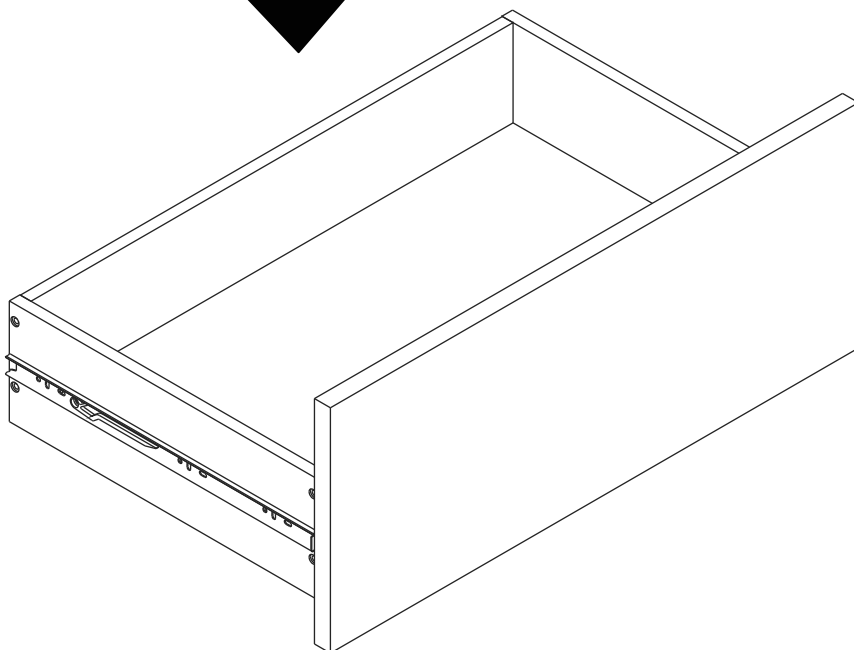
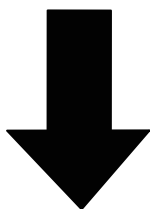
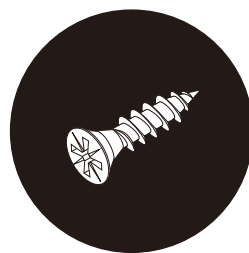
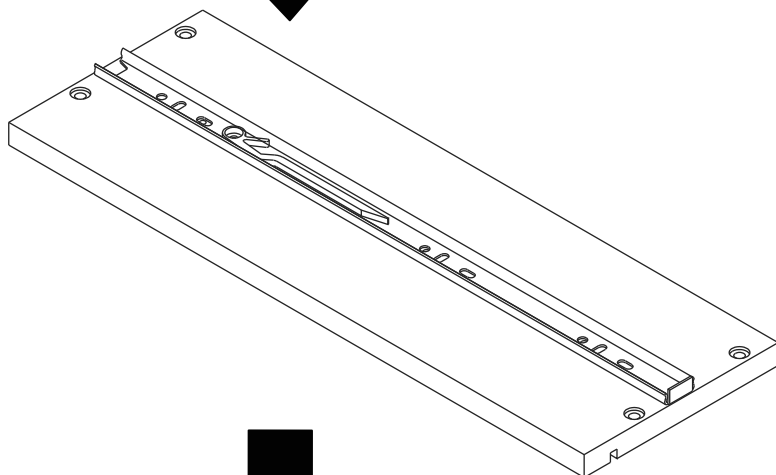
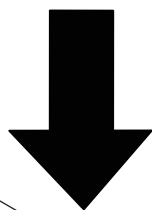
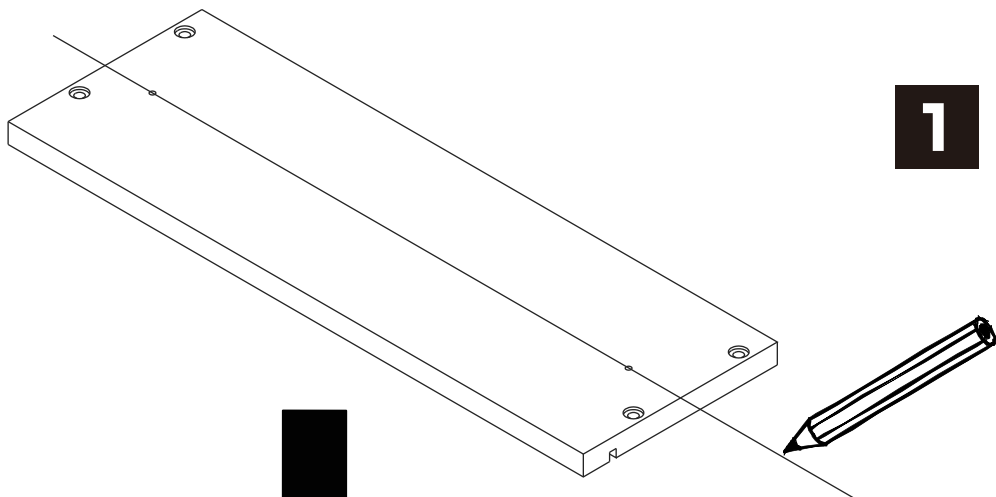


■ Category : Chest of drawers



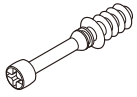
■ Category : Sliding door cabinet / Open cabinet





HARDWARE

-BODY SET

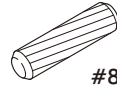


x 24



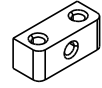
19mm.

x 24

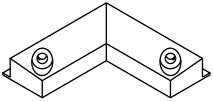


#8x35

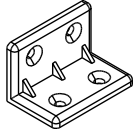
x 30



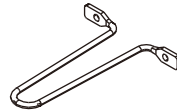
x 2



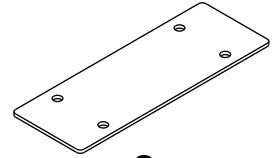
x 2



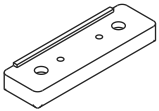
x 30



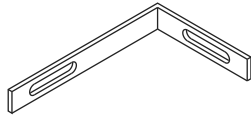
x 1



x 2



x 12

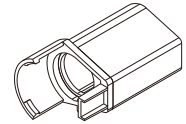


x 2

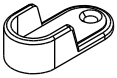


20mm.

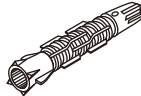
x 2



x 6



x 4



x 2



5x18 mm.

x 5



x 6



M3.5x13mm.

x 8



M4x16mm.

x 150



M3.5x20mm.

x 4



M4x25mm.

x 6



M4x50mm.

x 9



M5x50mm.

x 2



M4x13mm.

x 12



M4x16mm.

x 40

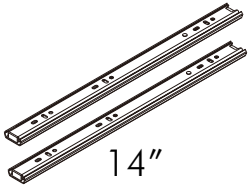


M4x30mm.

x 6

HARDWARE

-DRAWER SET



14"

x 2



M3.5x13mm.

x 24

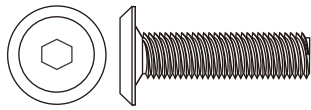


M4x40mm.

x 24



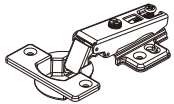
x 1



M6x23mm.

x 6

-DOOR SET



(FULL OVERLAY)

x 14



M4x16mm.

x 84

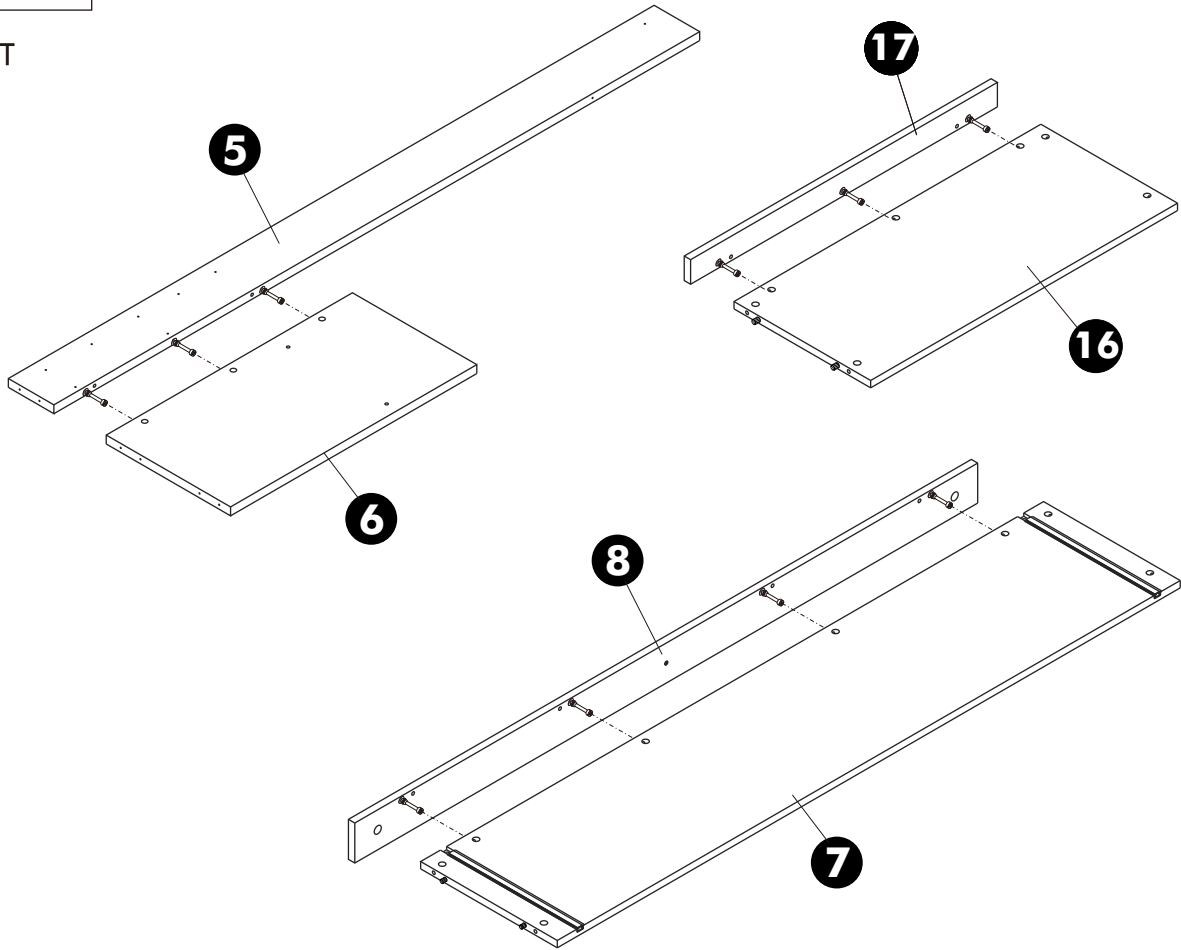


x 6

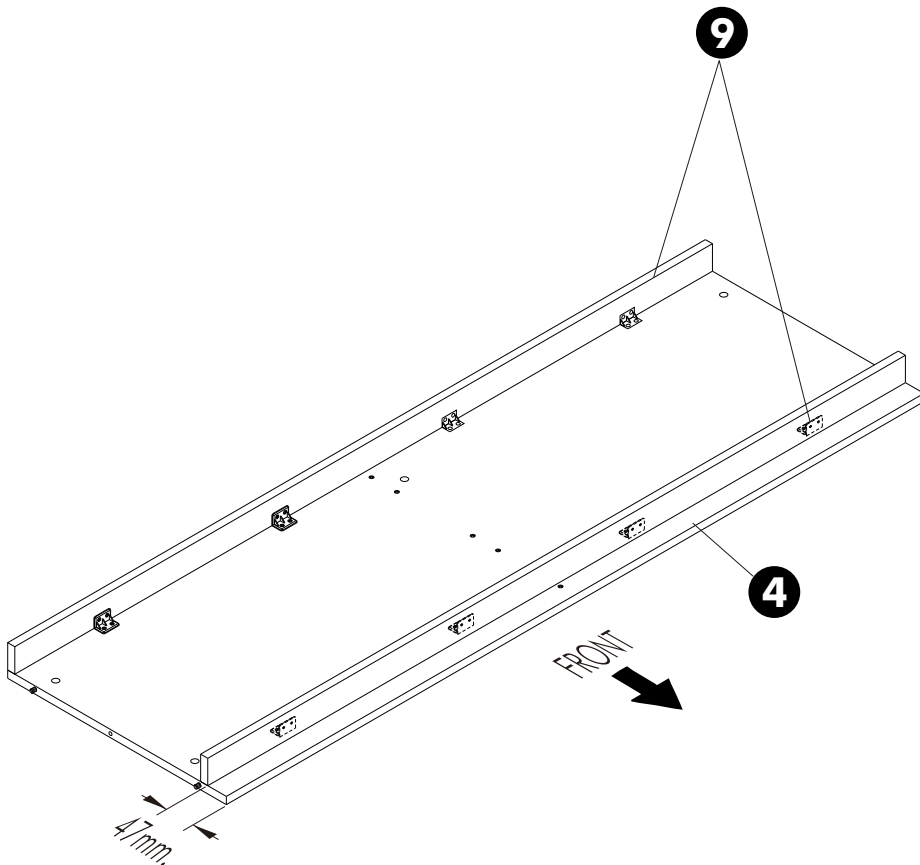
ASSEMBLY

-BODY SET

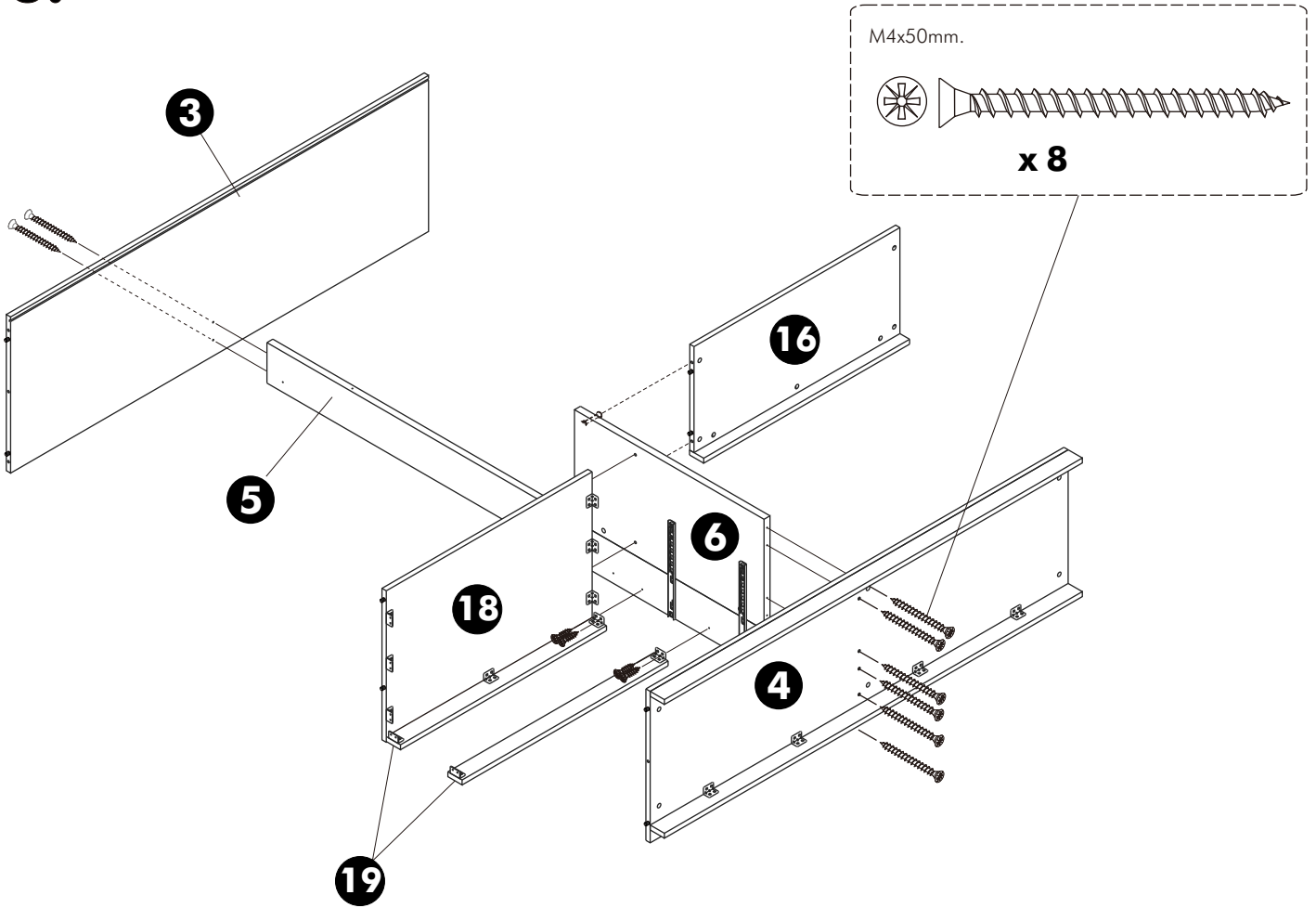
1.



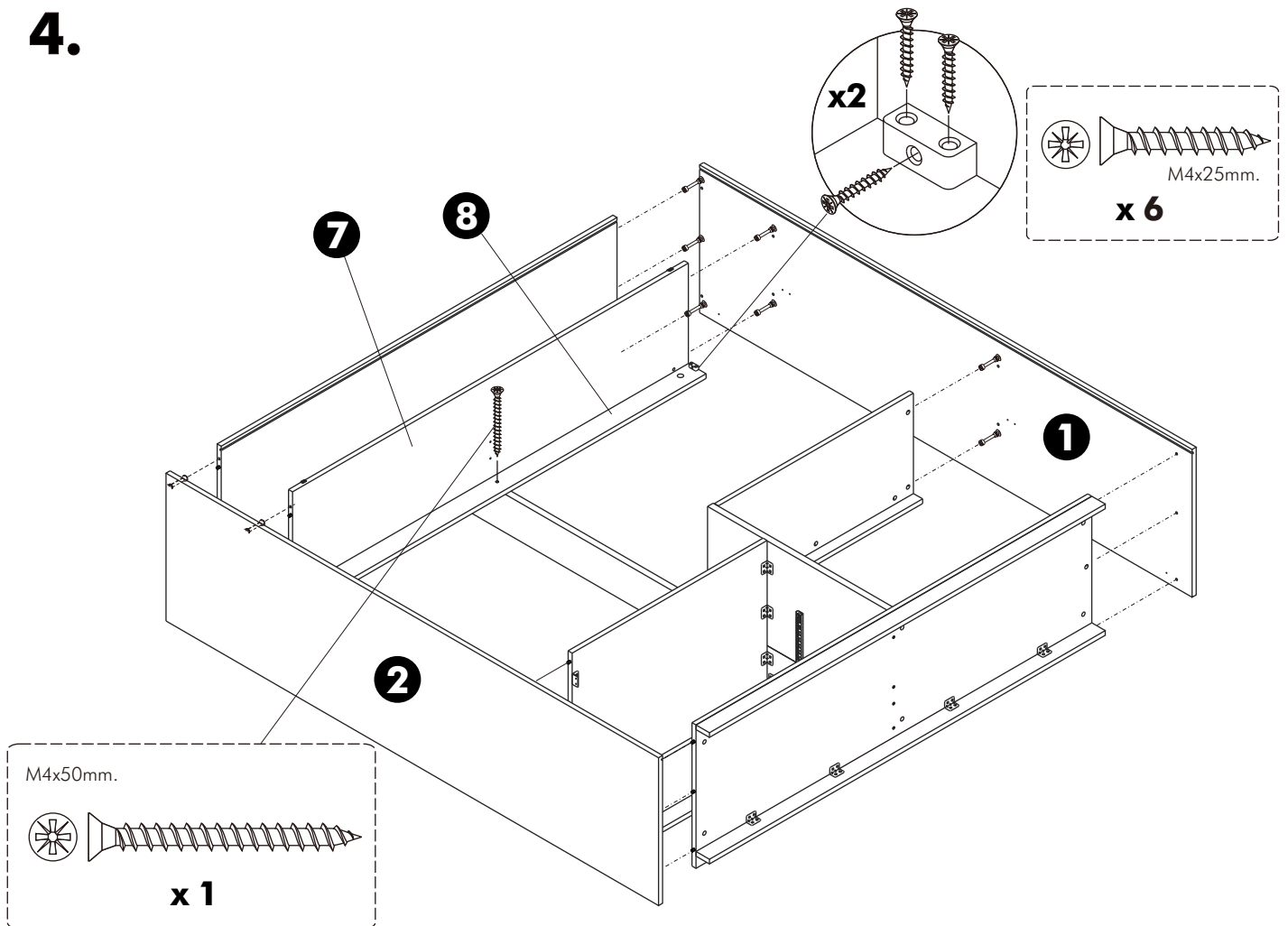
2.



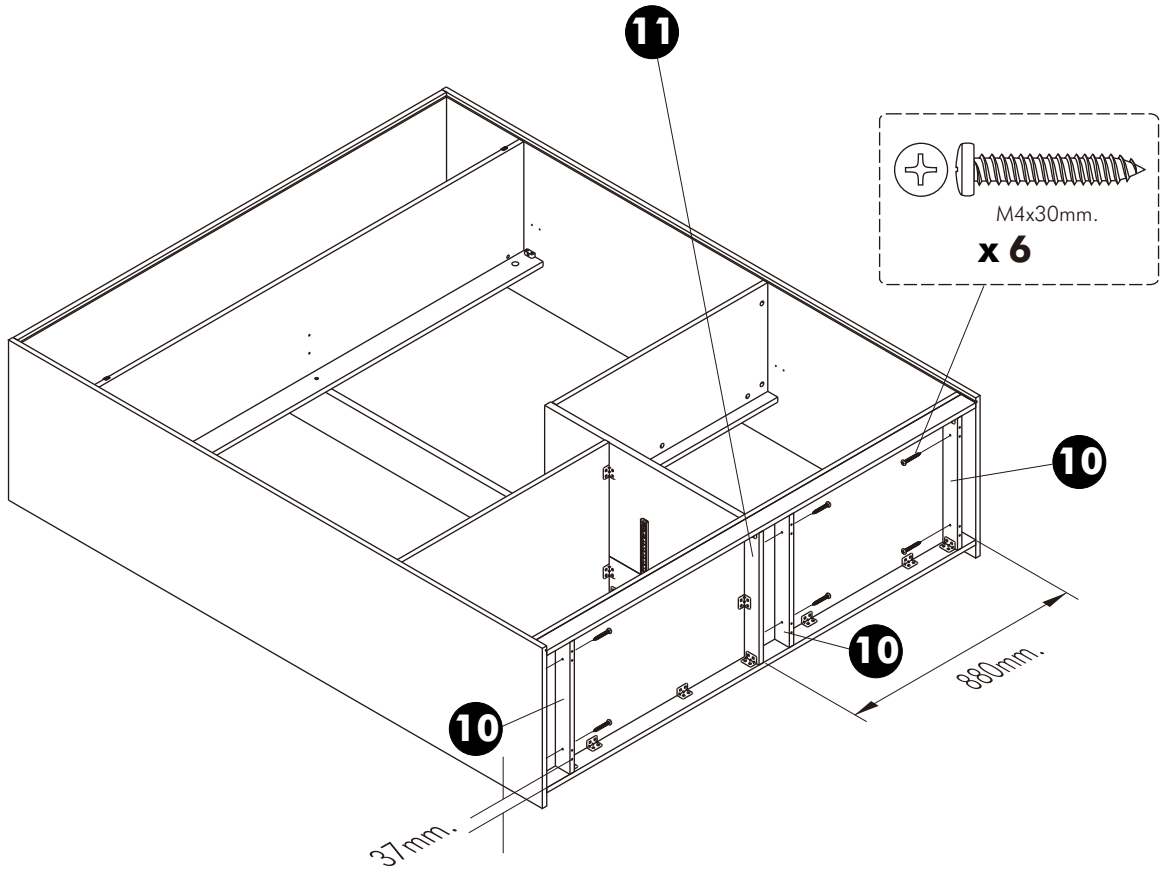
3.



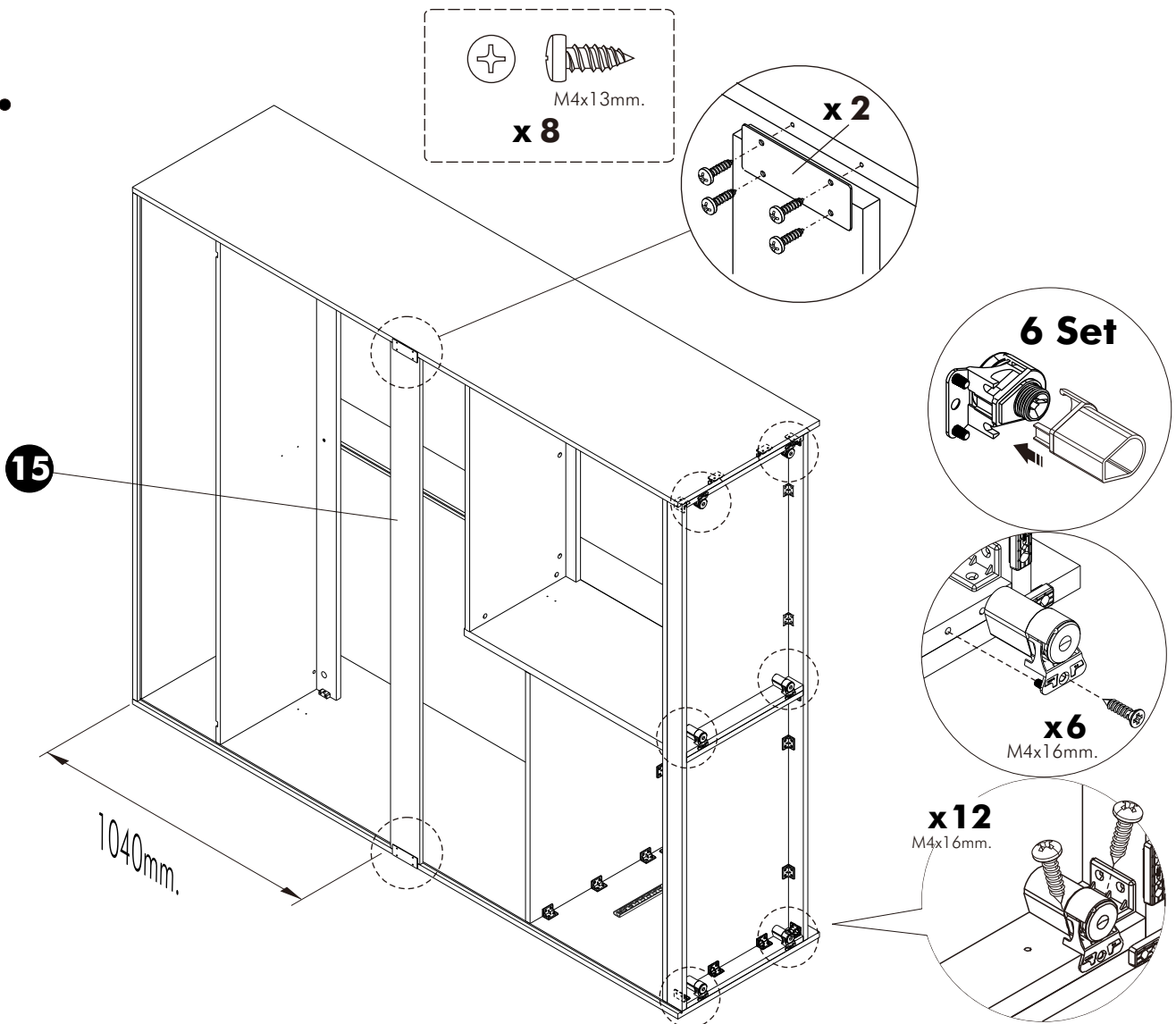
4.



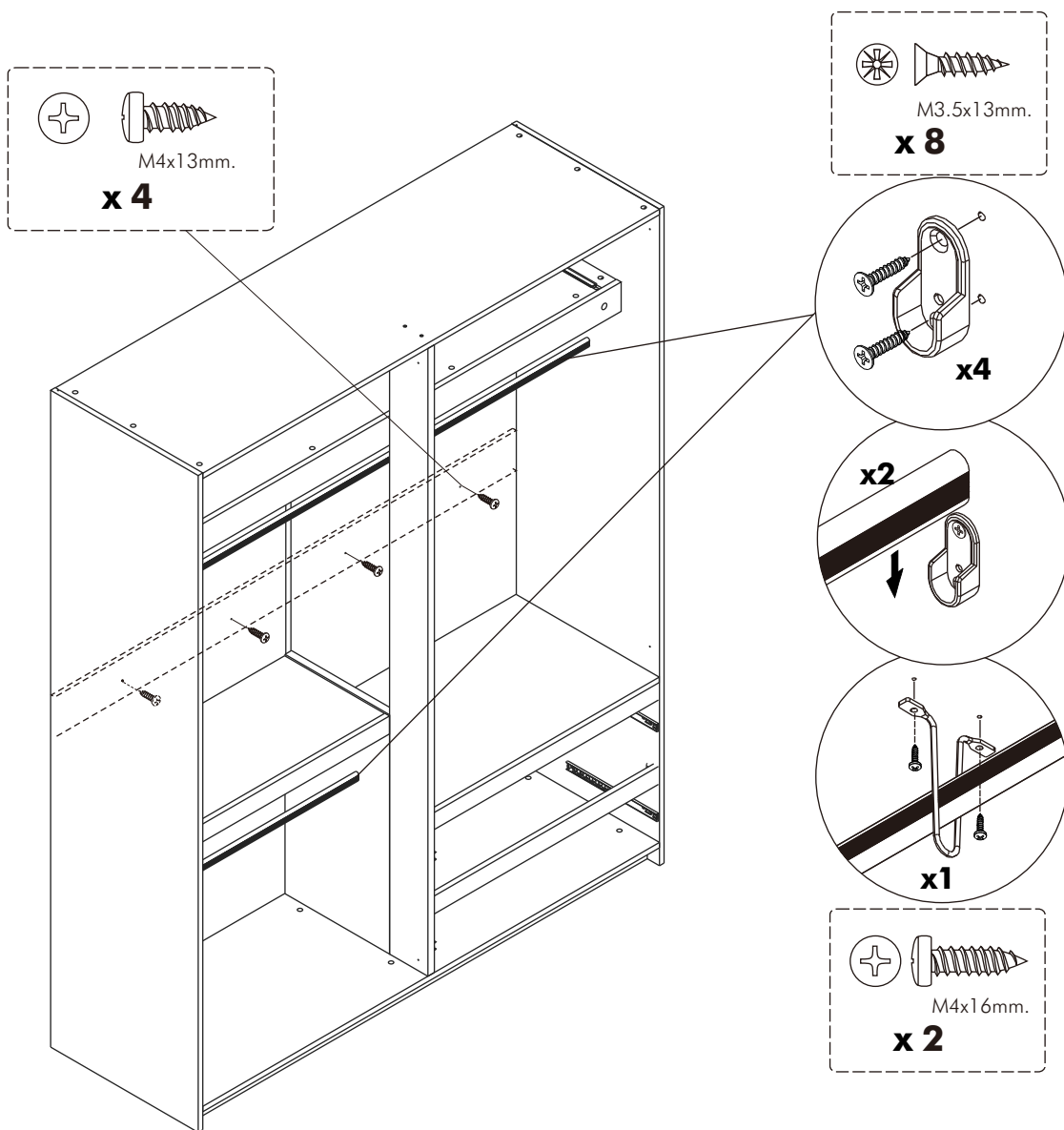
5.



6.

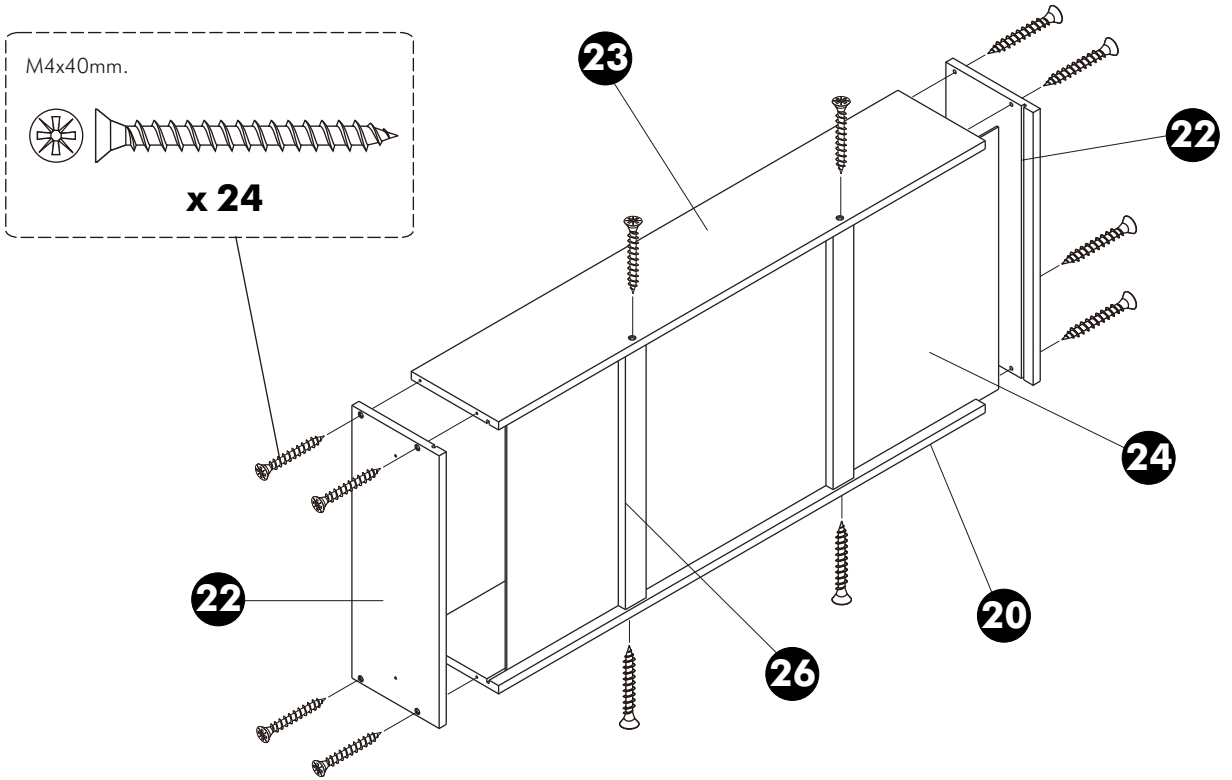


9.

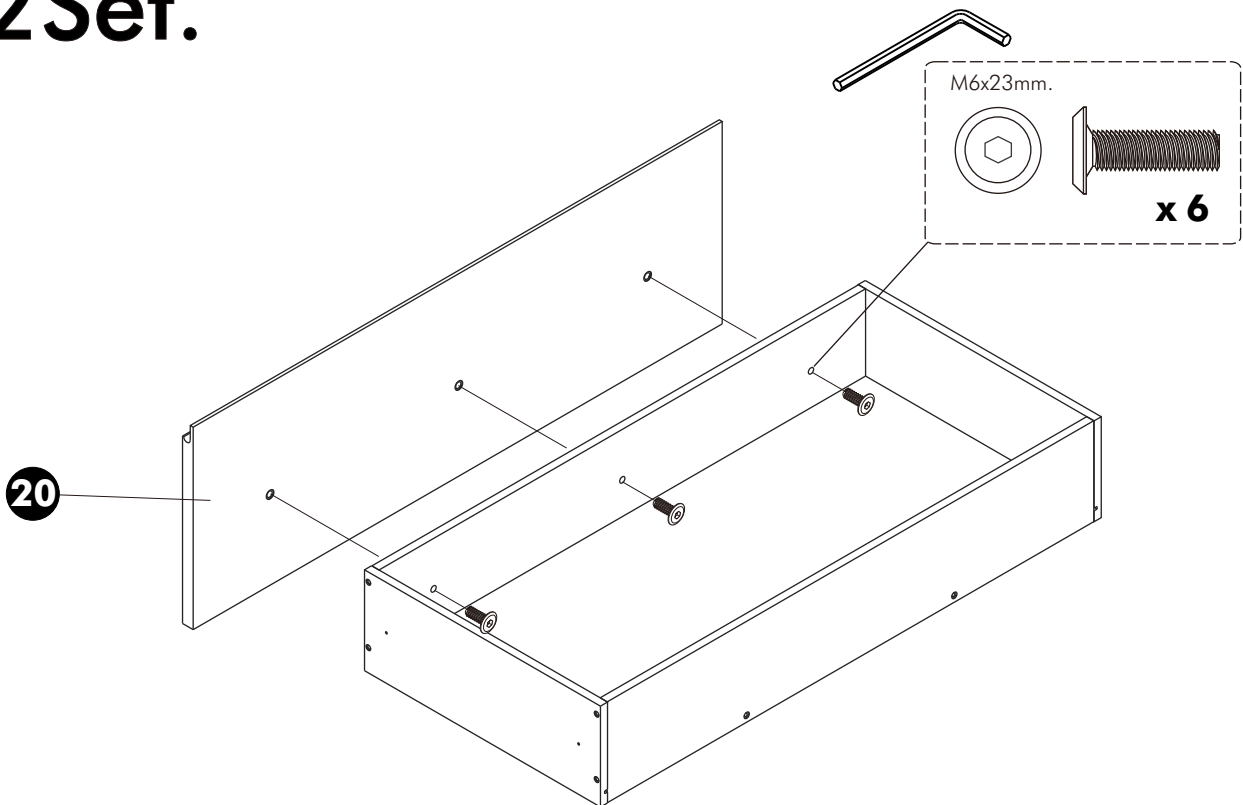


ASSEMBLY

-DRAWER SET



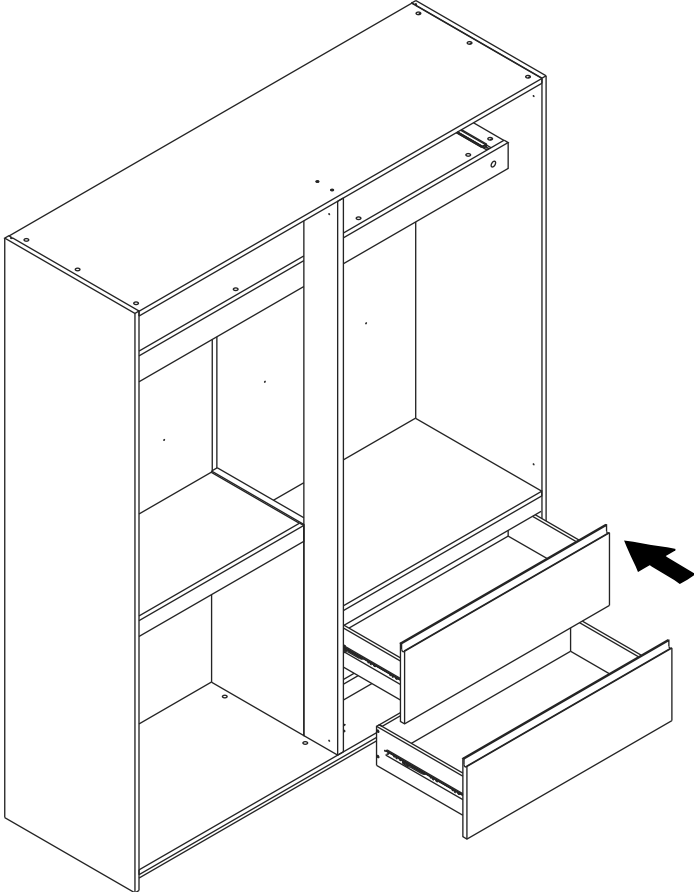
2Set.



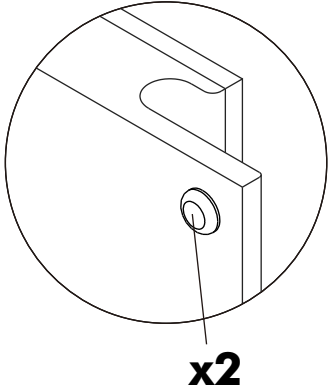
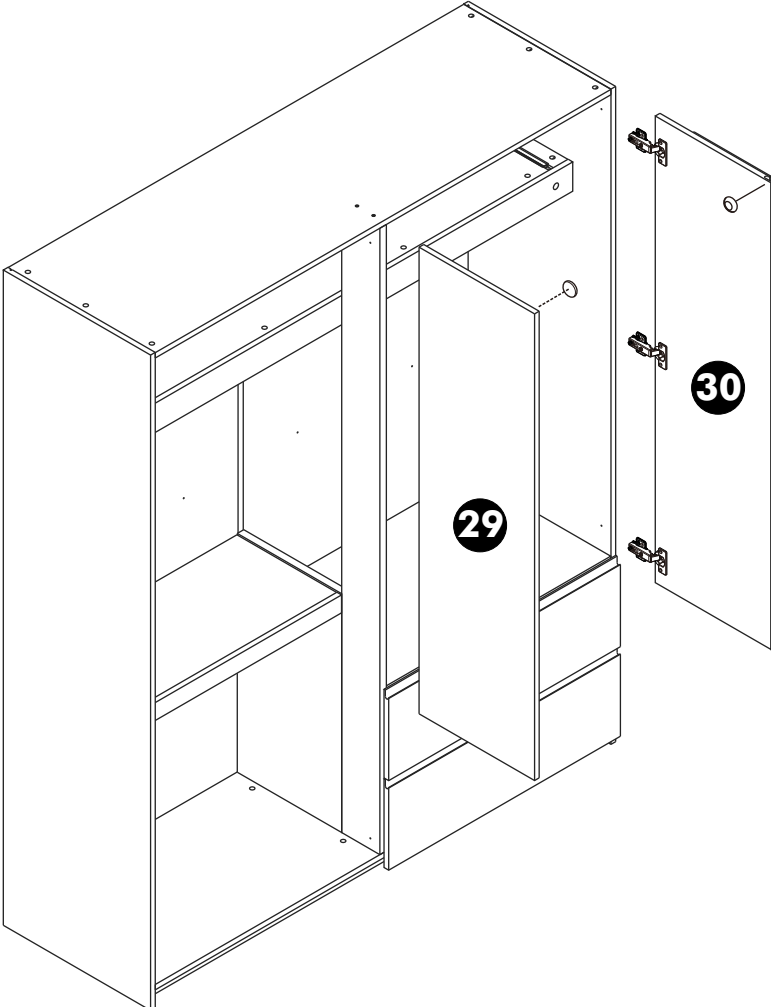
ASSEMBLY

-DOOR SET

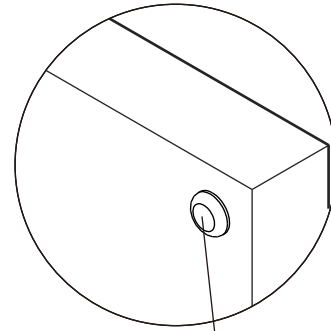
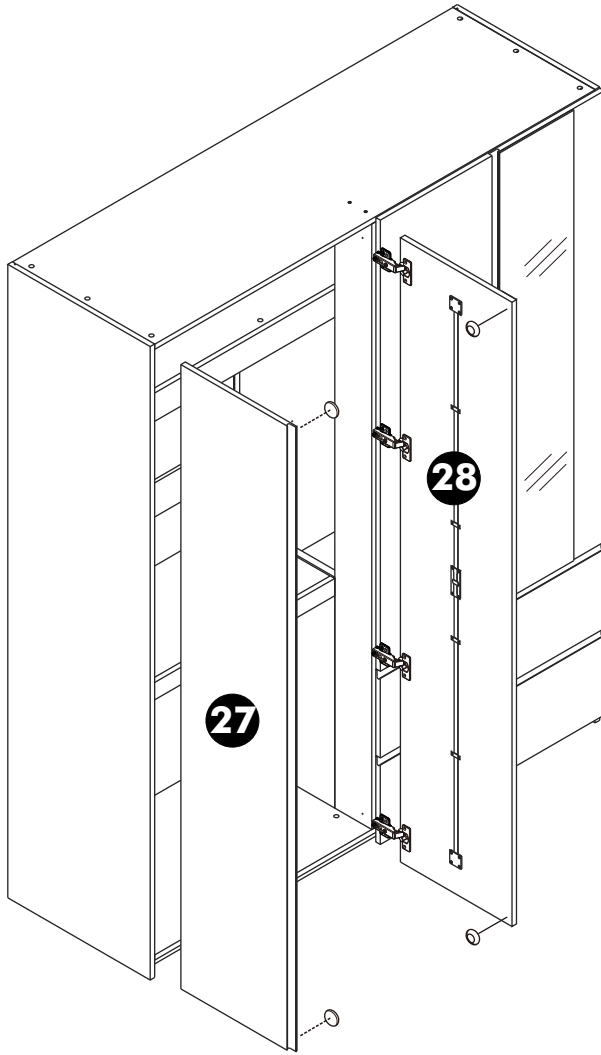
1.



2.



3.



x4