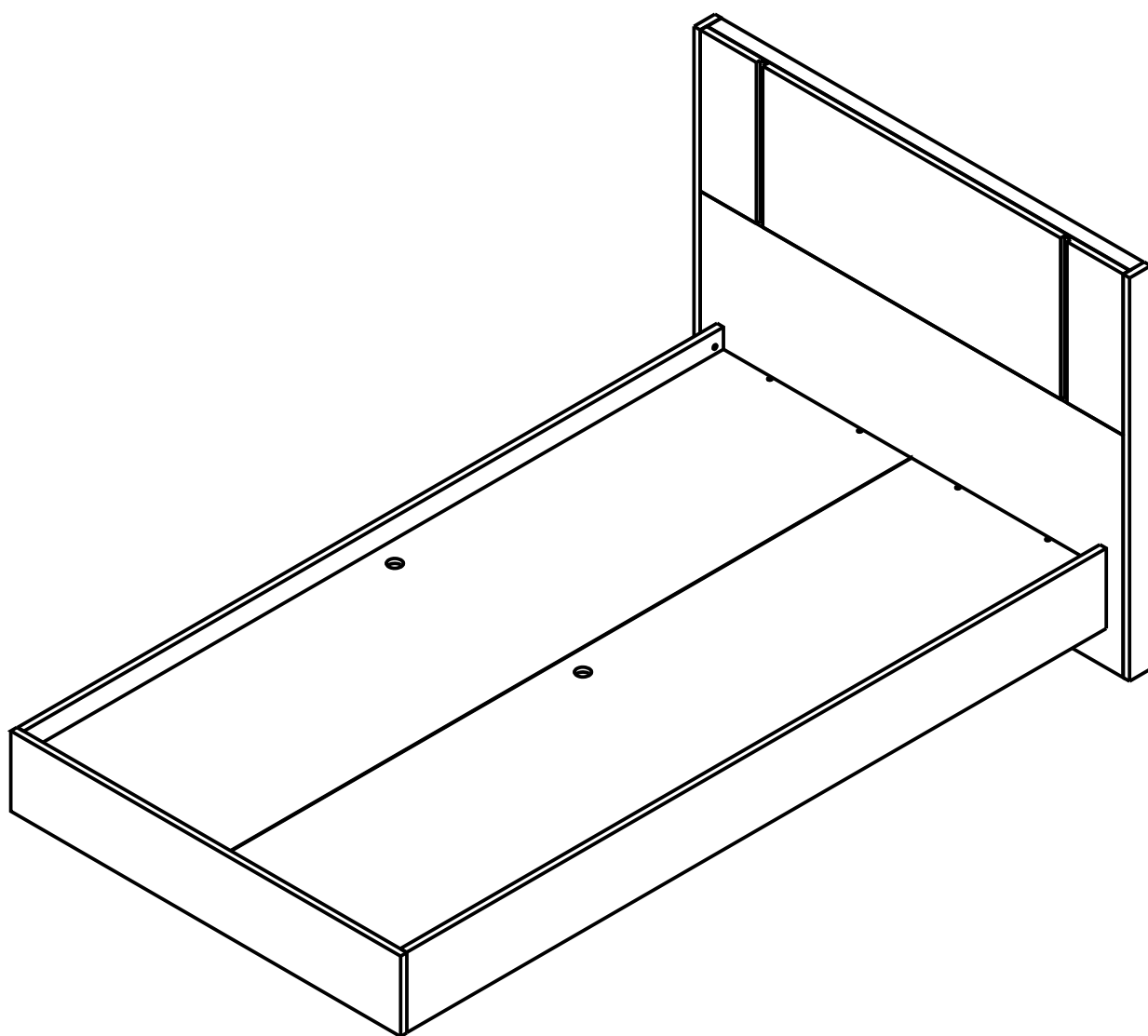


CARRARA-P

BED 3.5 ft.



CONNECT SYSTEM

1

3

2

(Connecting bolts)

WHEN FITTING CAMS
ENSURE STARTING POSITION IS CORRECT
BEFORE YOU INSERT CONNECTING BOLT
TURN CLOCKWISE UNTIL SECURE

✓					✗
	↑	↓	←	→	
	CORRECT	WRONG			

1 Pc. $\leq 190\text{mm.}$

2 Pcs. $\geq 191-850\text{mm.}$

3 Pcs. $> 850-2000\text{mm.}$

4 Pcs. $> 2001\text{mm.}$

i

40mm.

M6x45mm.

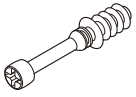
M6

M6

M4x16mm.

HARDWARE

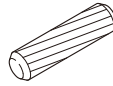
-BODY SET



x 4

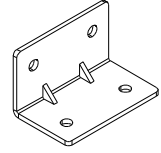


x 4



#8x35

x 4



x 4



No.1

x 3



#M6

x 2



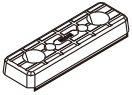
#M6

x 2



#M4

x 1

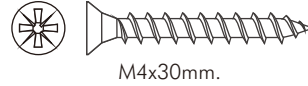


x 8



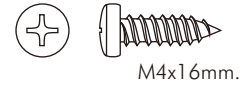
M4x16mm.

x 16



M4x30mm.

x 38



M4x16mm.

x 35



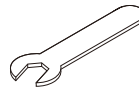
#M8

x 3



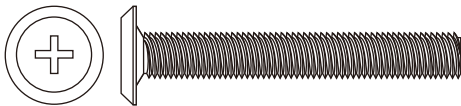
#M8

x 3



No.10

x 1



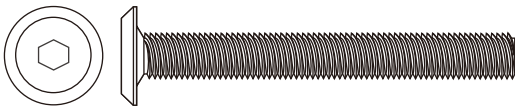
#M6x45

x 2



JCB+ M6x60

x 6



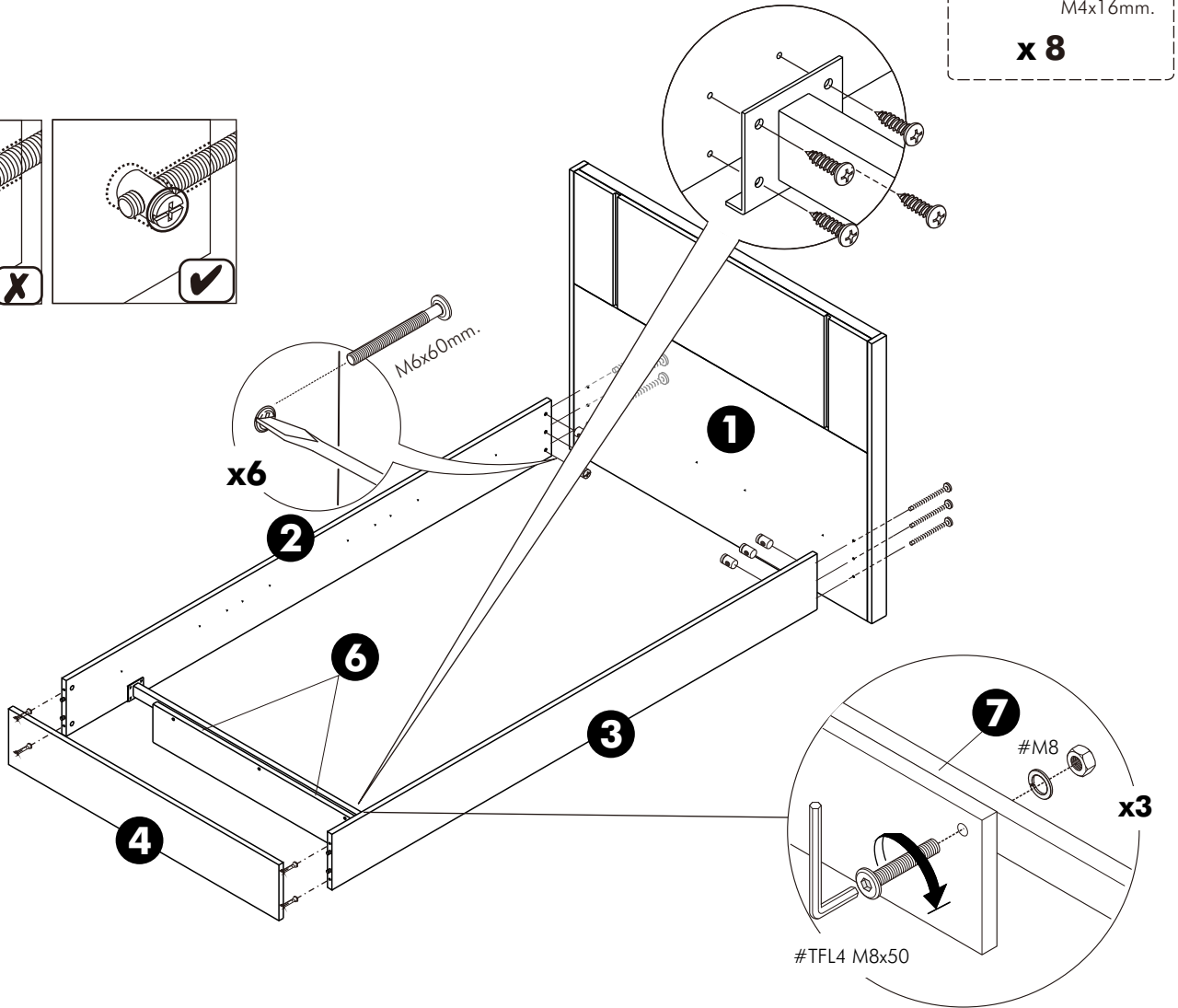
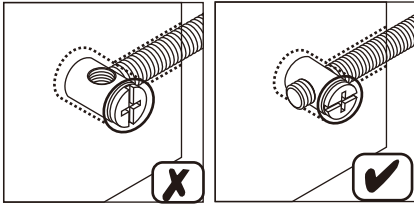
#TFL4 M8x50

x 3

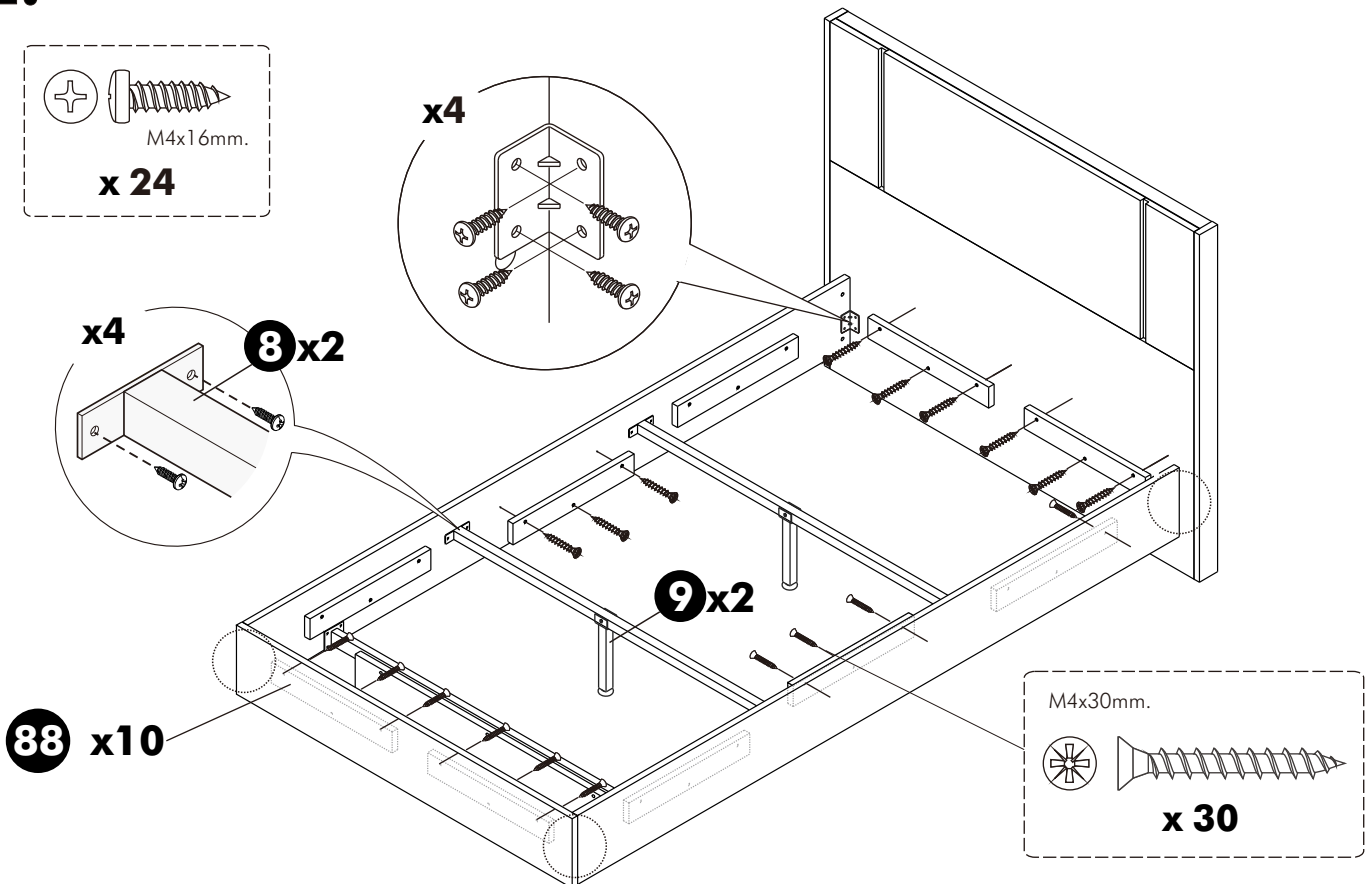
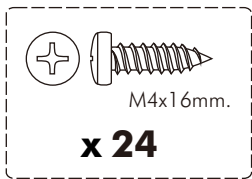
ASSEMBLY

-BODY SET

1.



2.



3.

