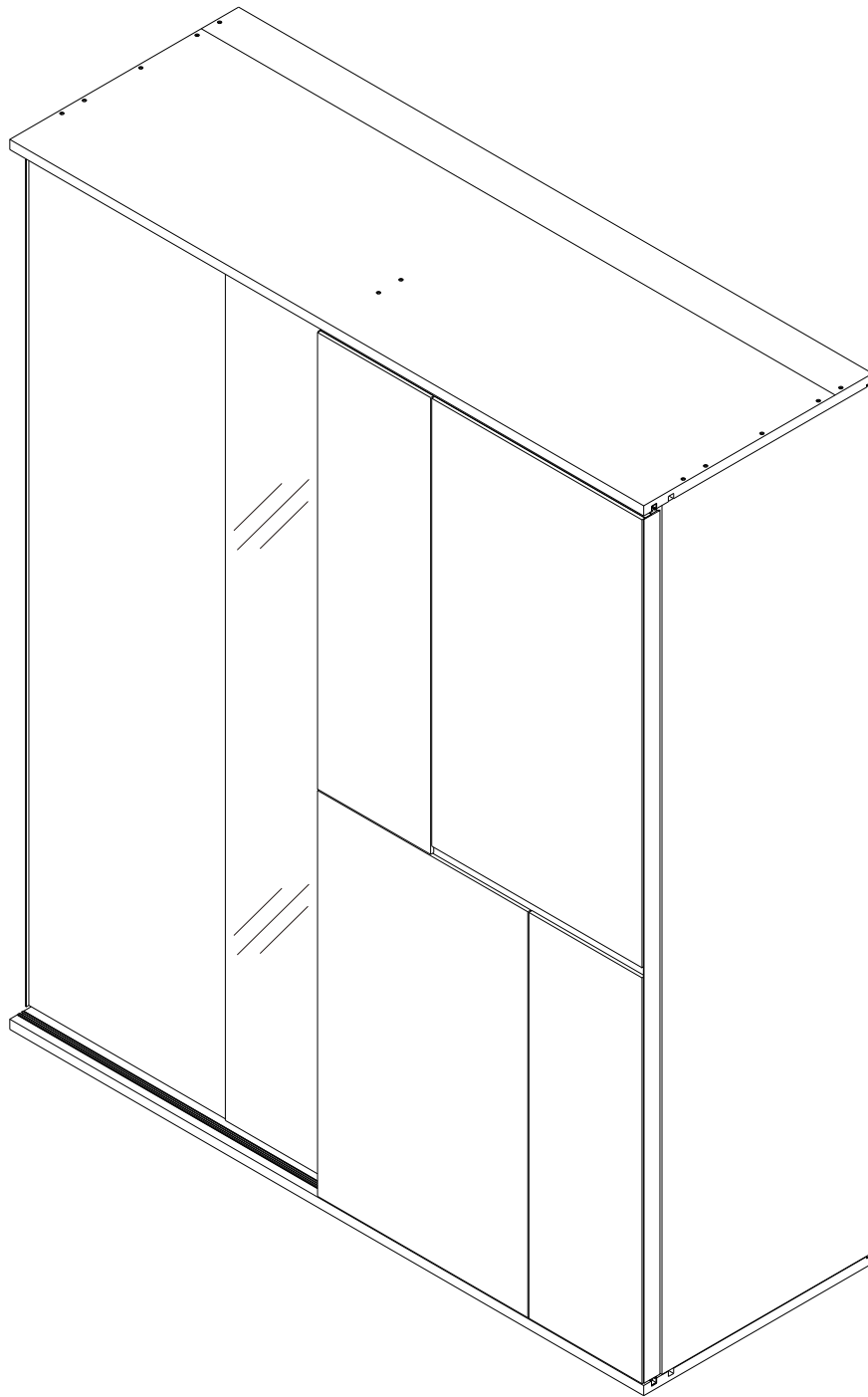


PALLAZO-P

Wardrobe slide 180 cm.



CONNECT SYSTEM

1

2

(Connecting bolts)

3

WHEN FITTING CAMS
ENSURE STARTING POSITION IS CORRECT
BEFORE YOU INSERT CONNECTING BOLT
TURN CLOCKWISE UNTIL SECURE

✓				✗
↑				
CORRECT		WRONG		

EQ EQ 1 Pc. $\leq 190\text{mm.}$

40mm. 40mm. 2 Pcs. $\geq 191-850\text{mm.}$

100mm. EQ EQ 100mm. 3 Pcs. $> 850-2000\text{mm.}$

100mm. EQ EQ EQ 100mm. 4 Pcs. $> 2001\text{mm.}$

i

40mm.

M4x16mm.

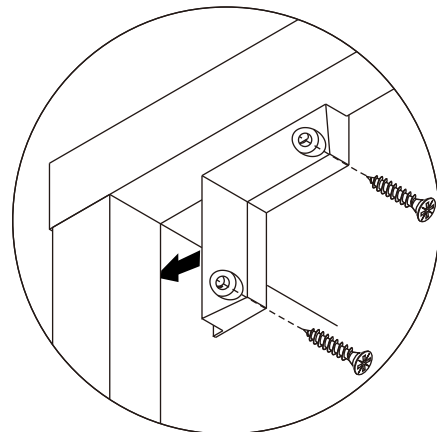
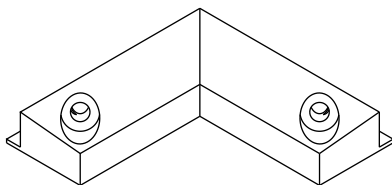
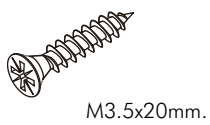
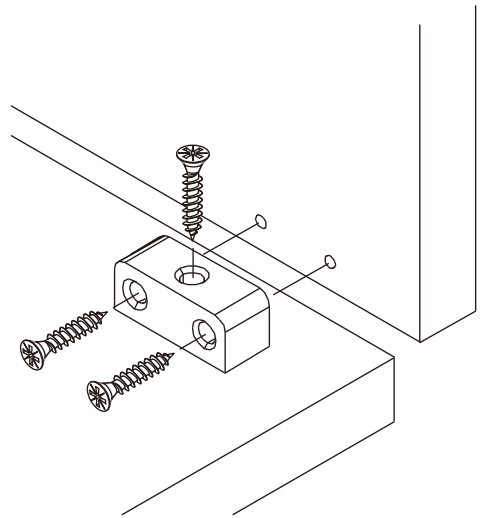
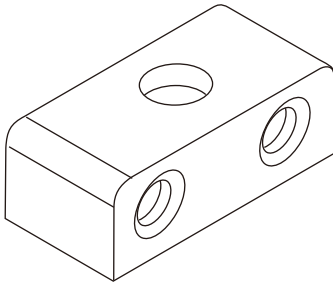
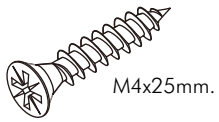
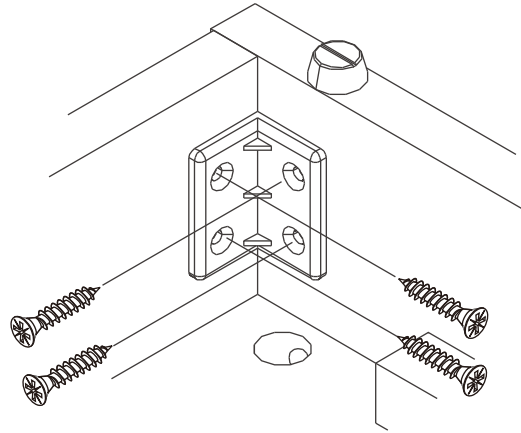
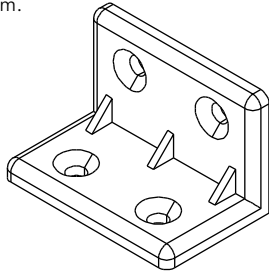
OUT

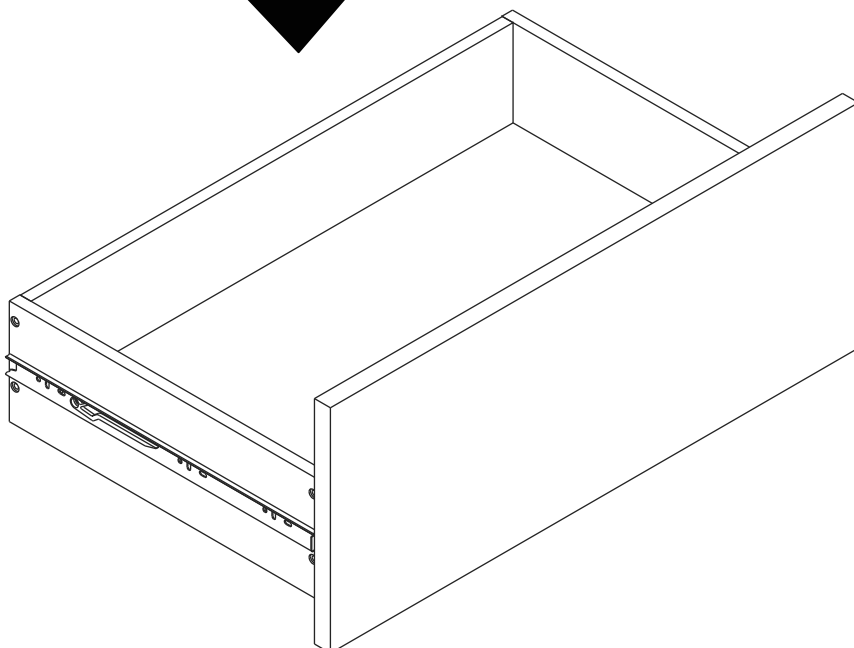
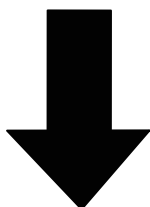
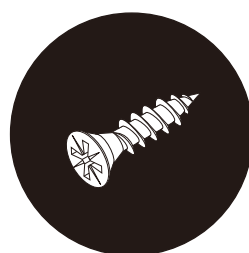
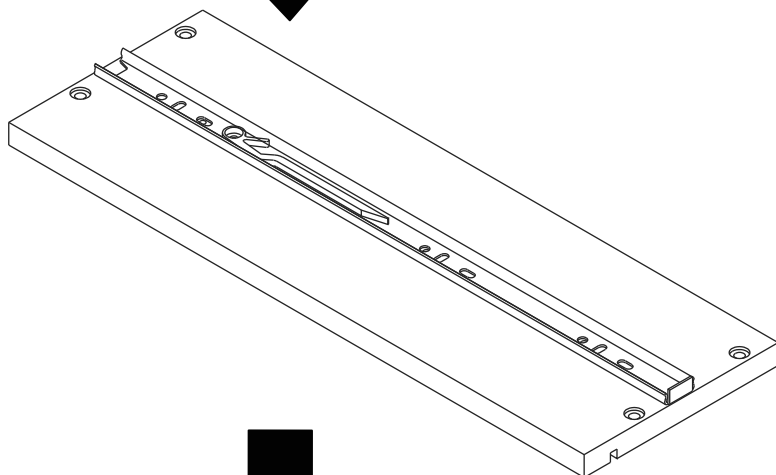
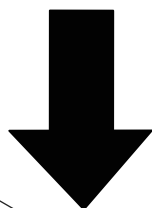
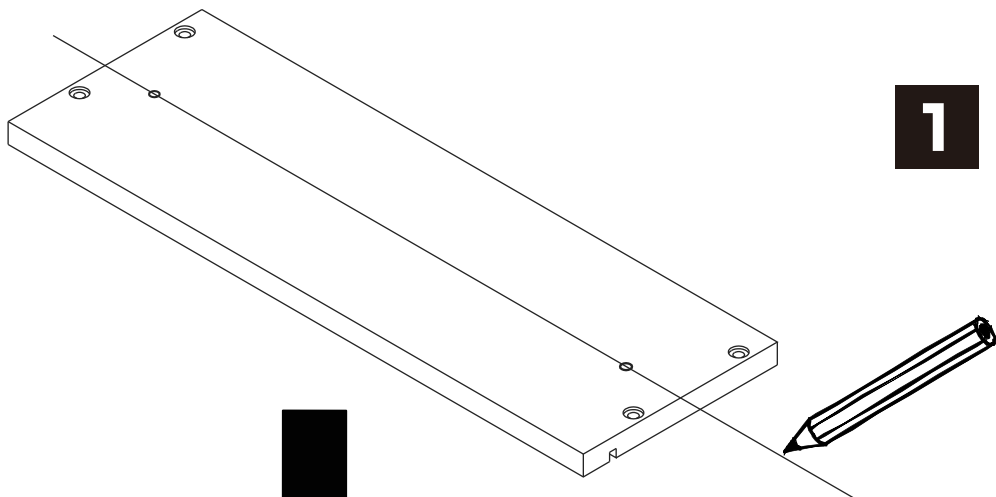
IN

M3.5x13mm.

1

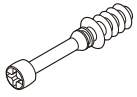
2





HARDWARE

-BODY SET

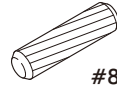


x 24



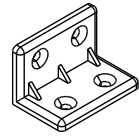
19mm.

x 24

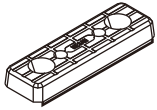


#8x35

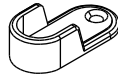
x 26



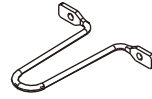
x 4



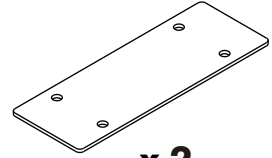
x 10



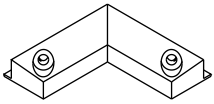
x 4



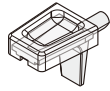
x 1



x 2



x 4



x 4



5x18 mm.

x 3



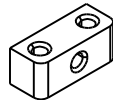
11mm.

x 4



5x23 mm.

x 2



x 4



11 mm. (Sand Stone)

x 5



M3.5x13mm.

x 8



M4x16mm.

x 36



M3.5x20mm.

x 8



M4x25mm.

x 12



M4x35mm.

x 4



M4x50mm.

x 31



M4x13mm.

x 12

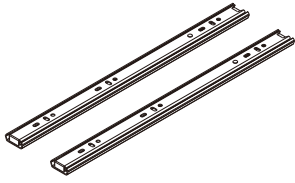


M4x16mm.

x 18

HARDWARE

-DRAWER SET



14"

x 1



M3.5x13mm.

x 12

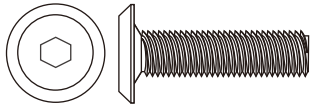


M4x40mm.

x 10

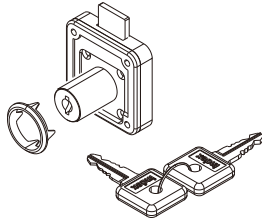


x 1

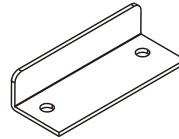


M6x23mm.

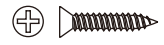
x 2



x 1



x 1



4x1/2"

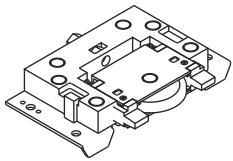
x 2



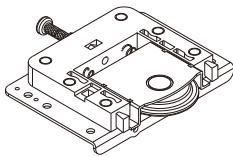
M3.5x20mm.

x 4

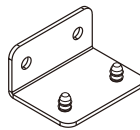
-DOOR SET



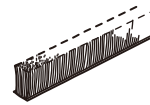
x 4



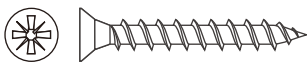
x 4



x 2



x 1



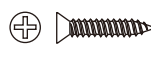
M4x25mm.

x 28



M4x16mm.

x 36



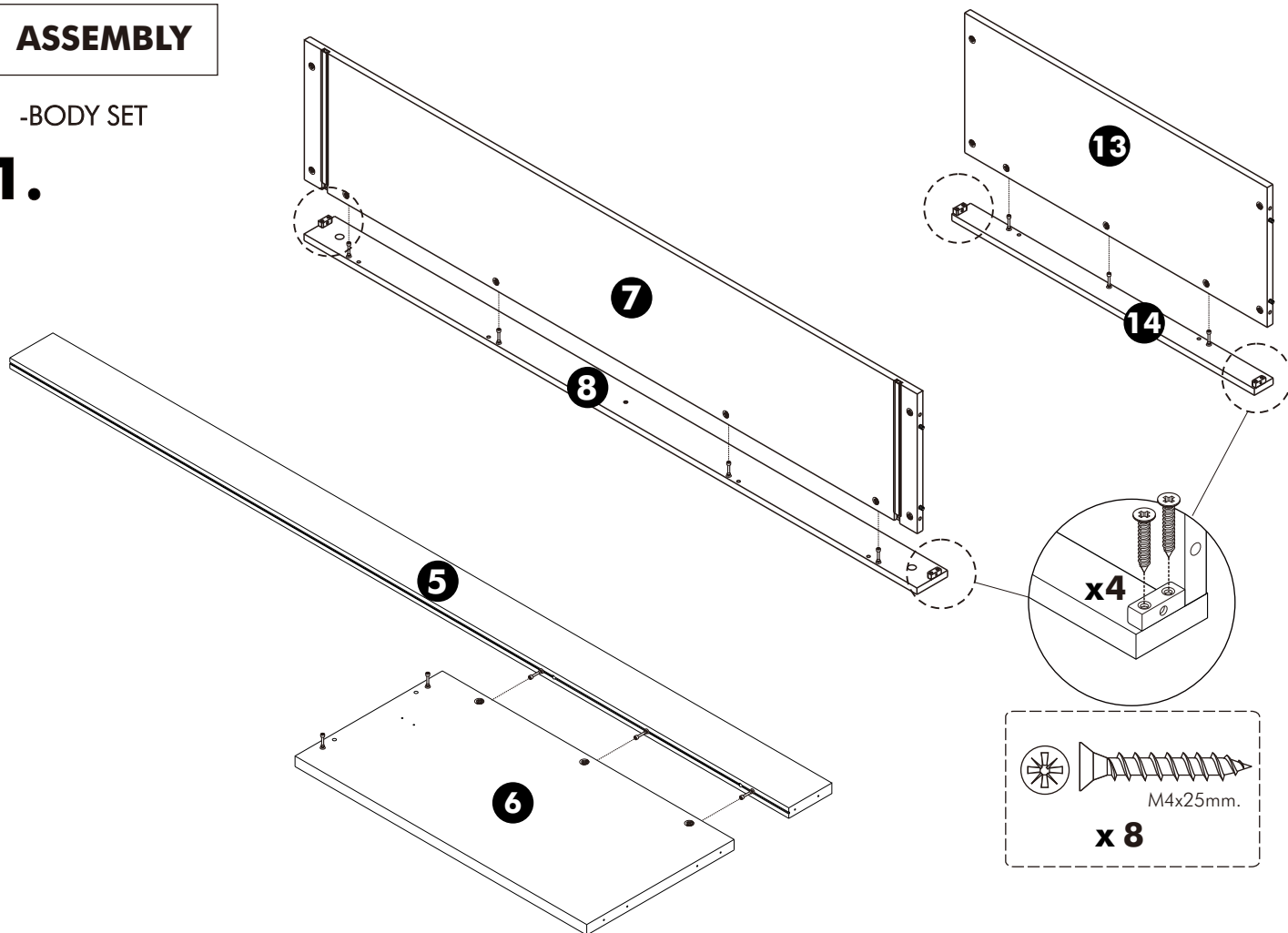
5x3/8"

x 12

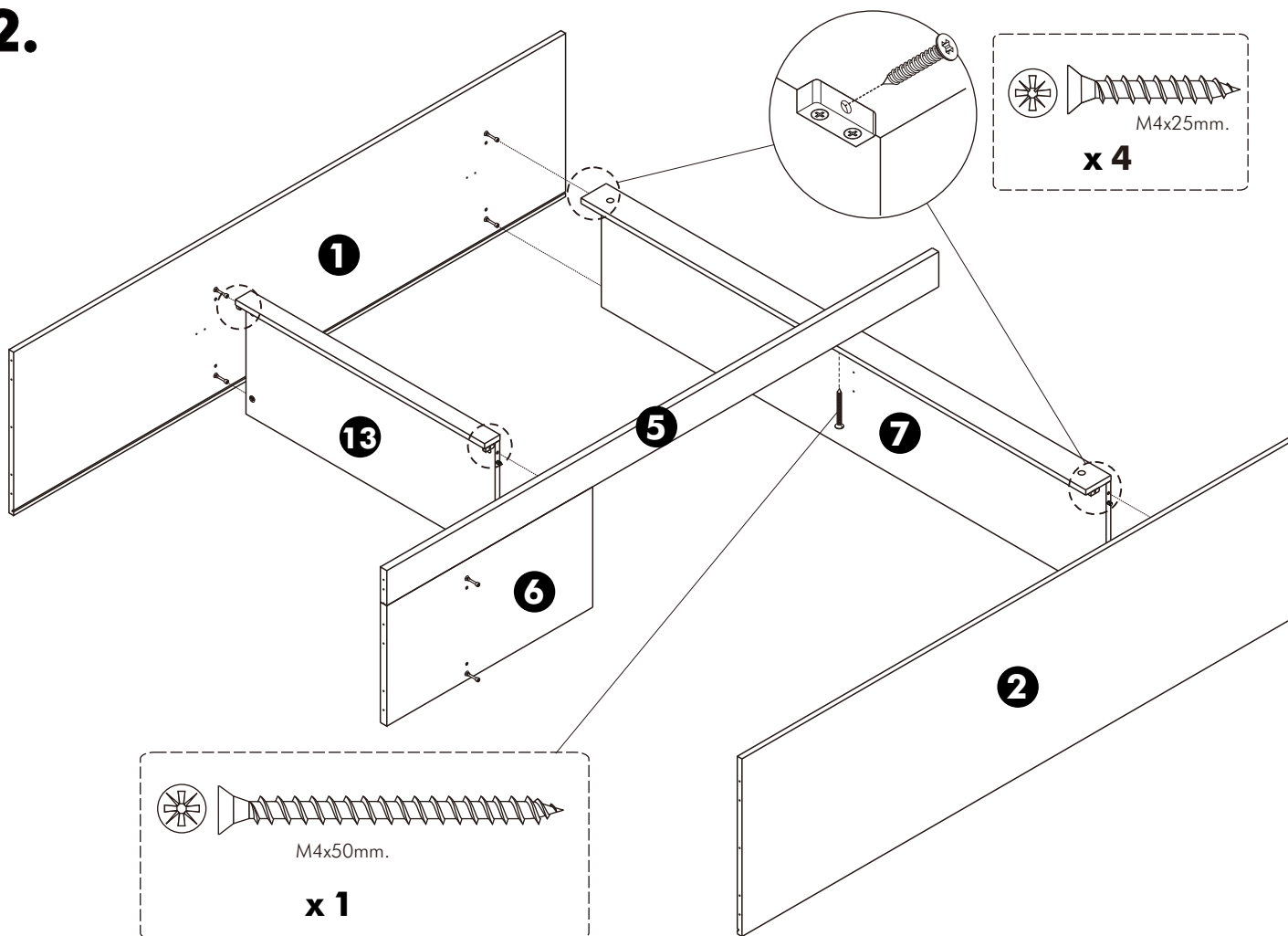
ASSEMBLY

-BODY SET

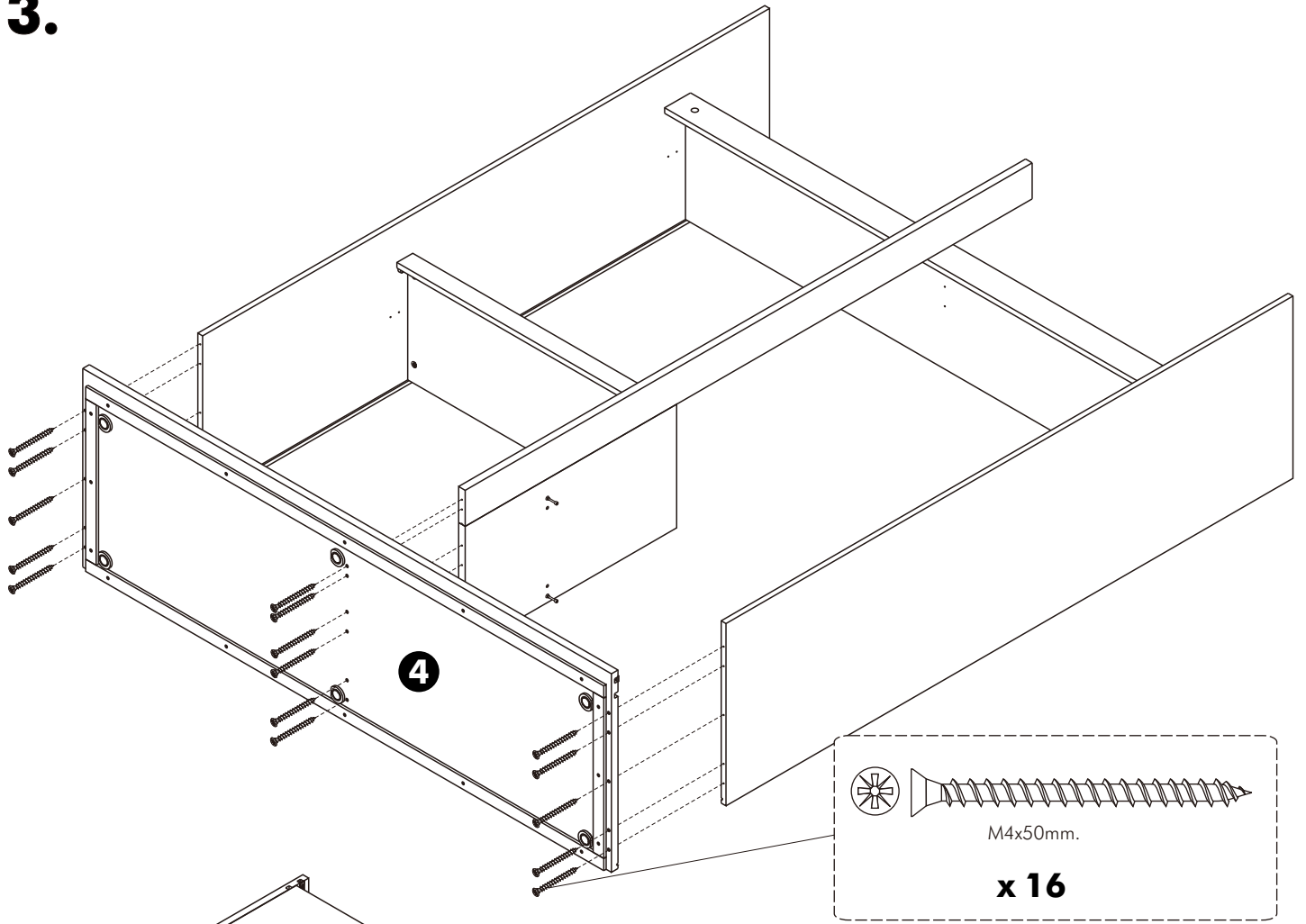
1.



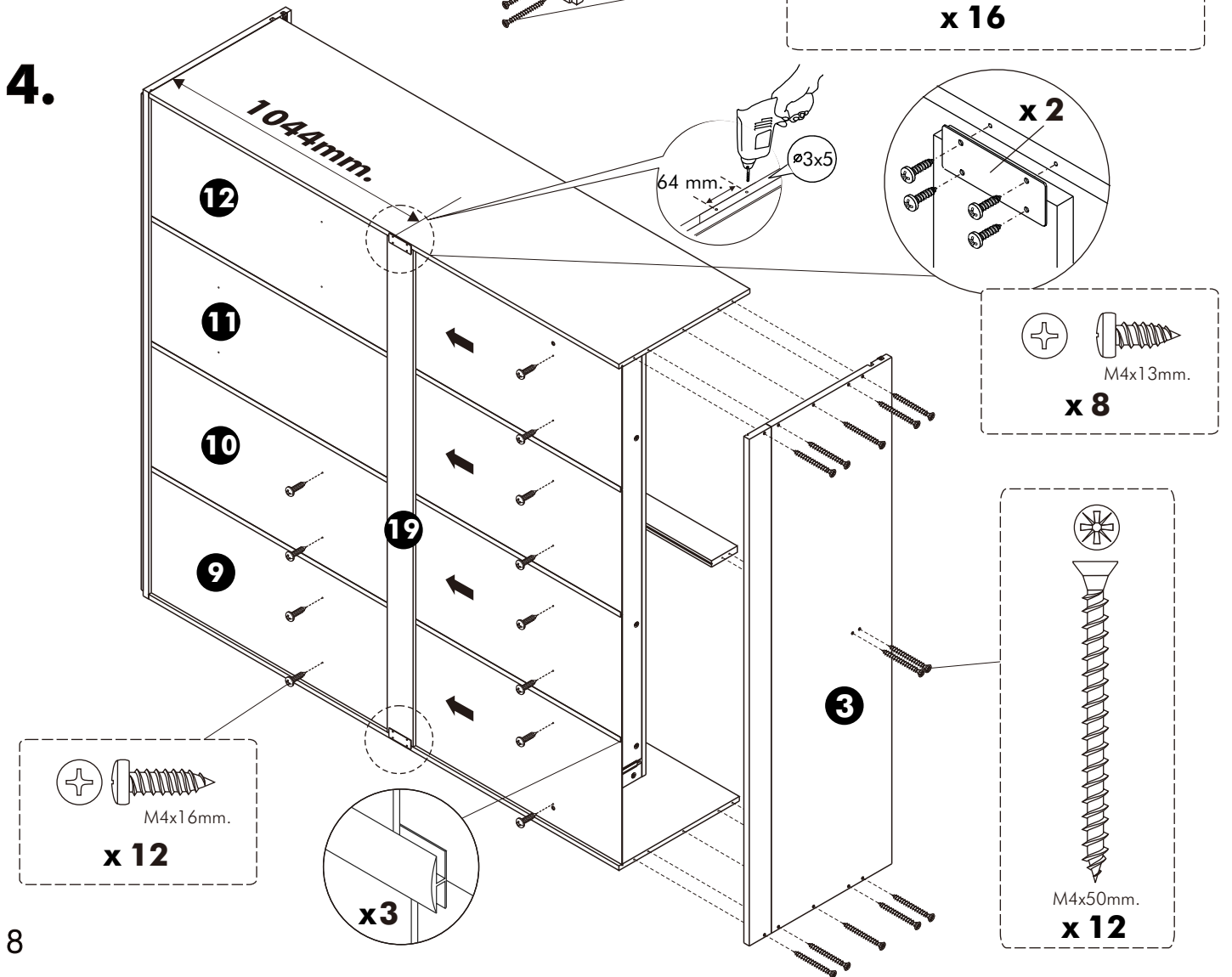
2.



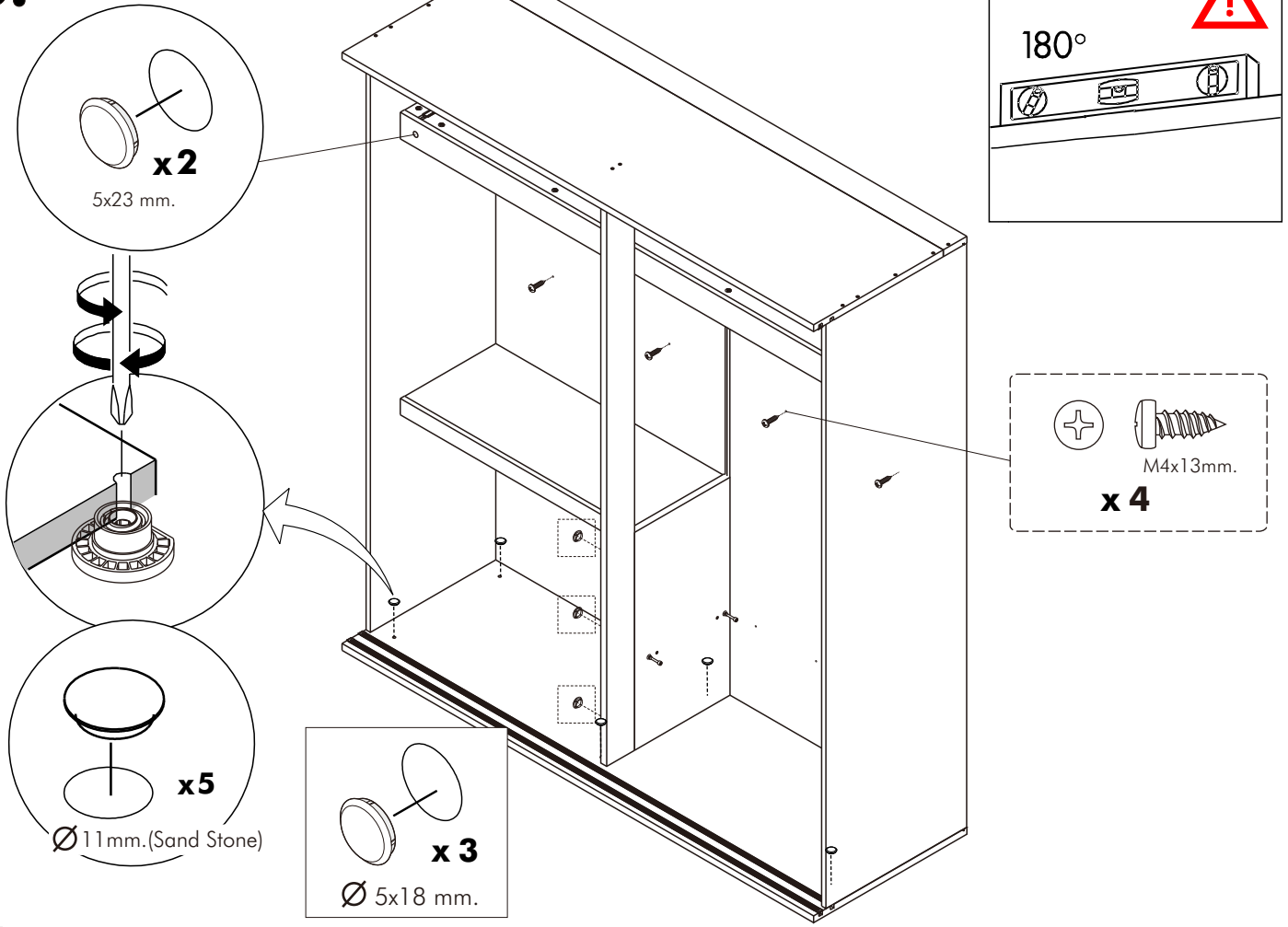
3.



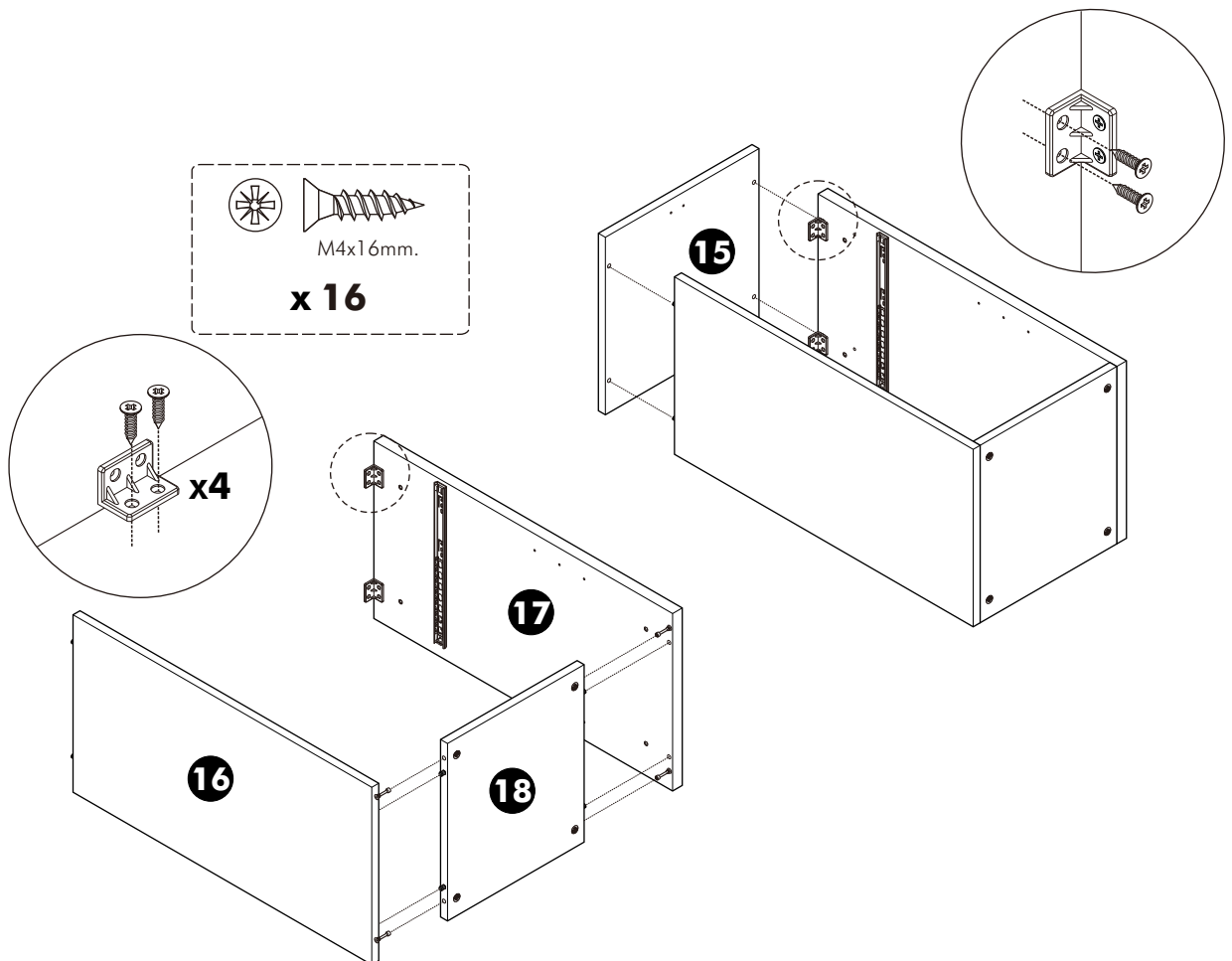
4.



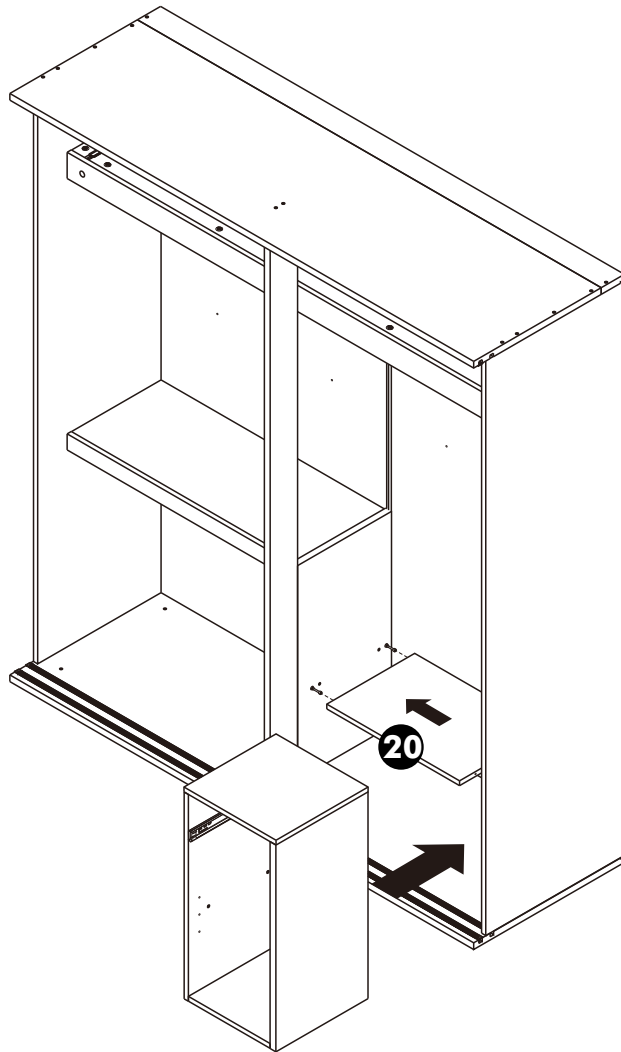
5.



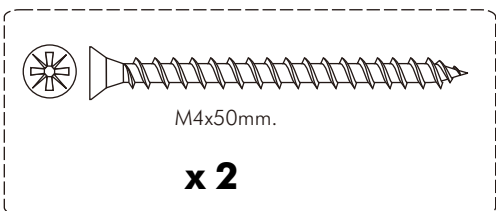
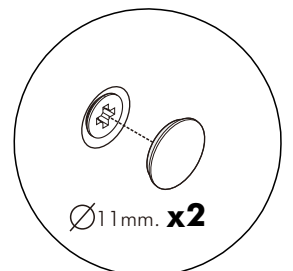
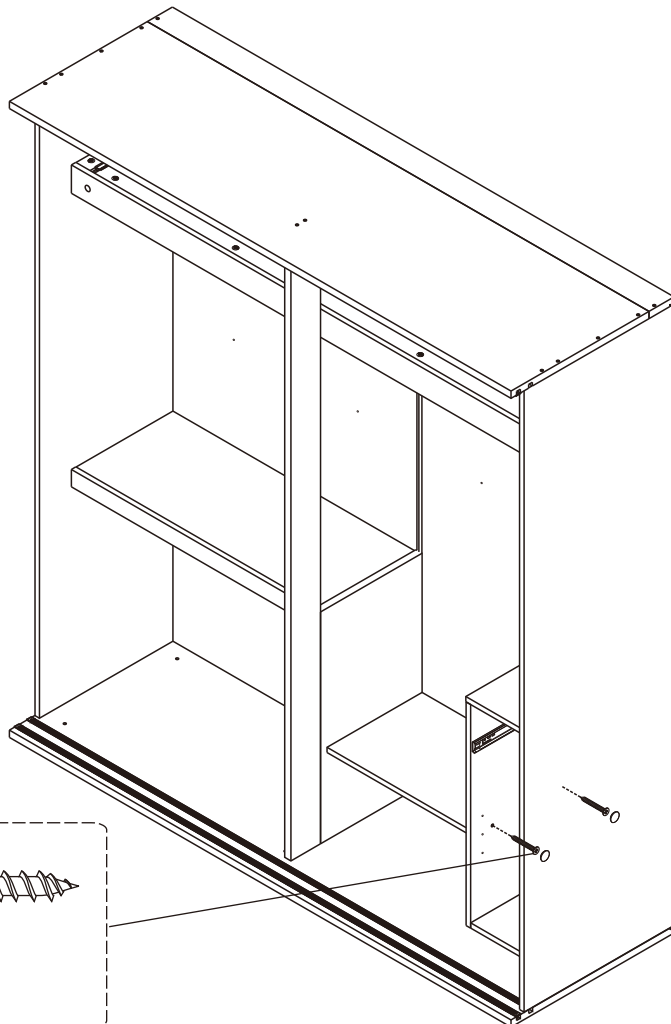
6.



7.

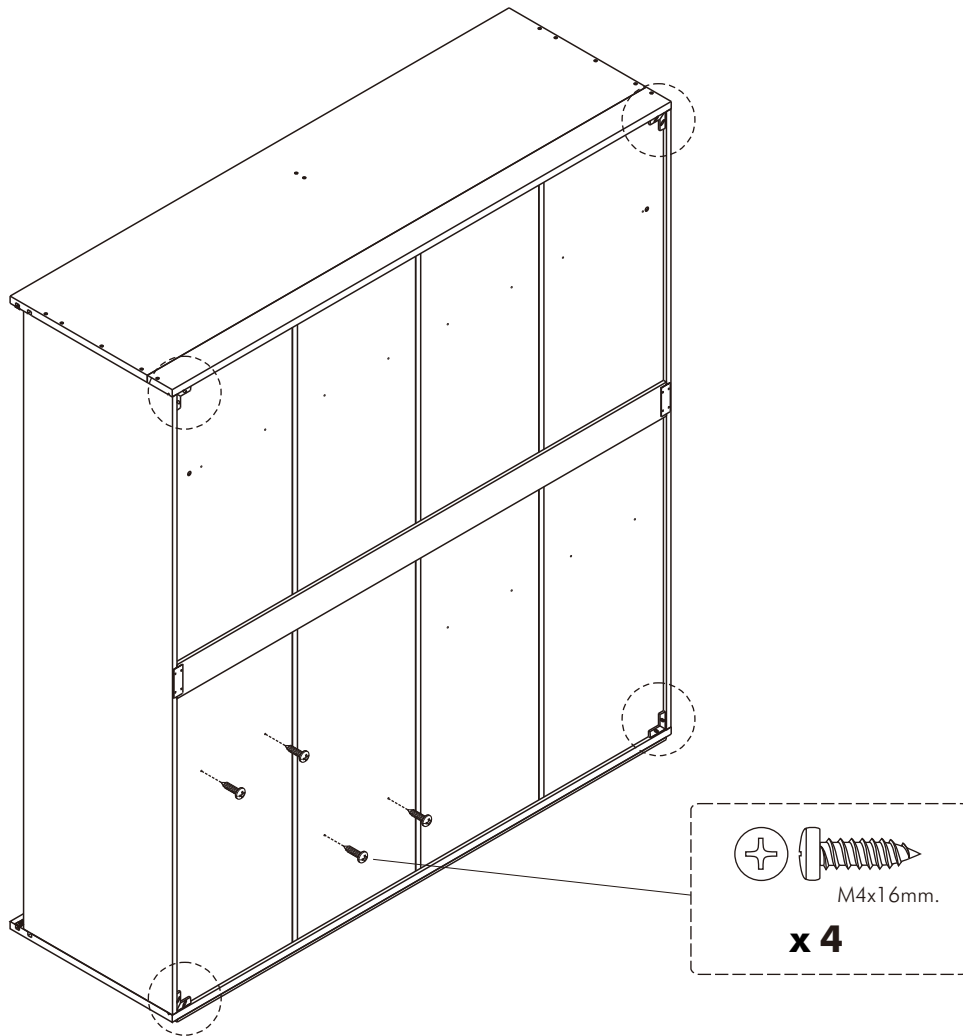


8.

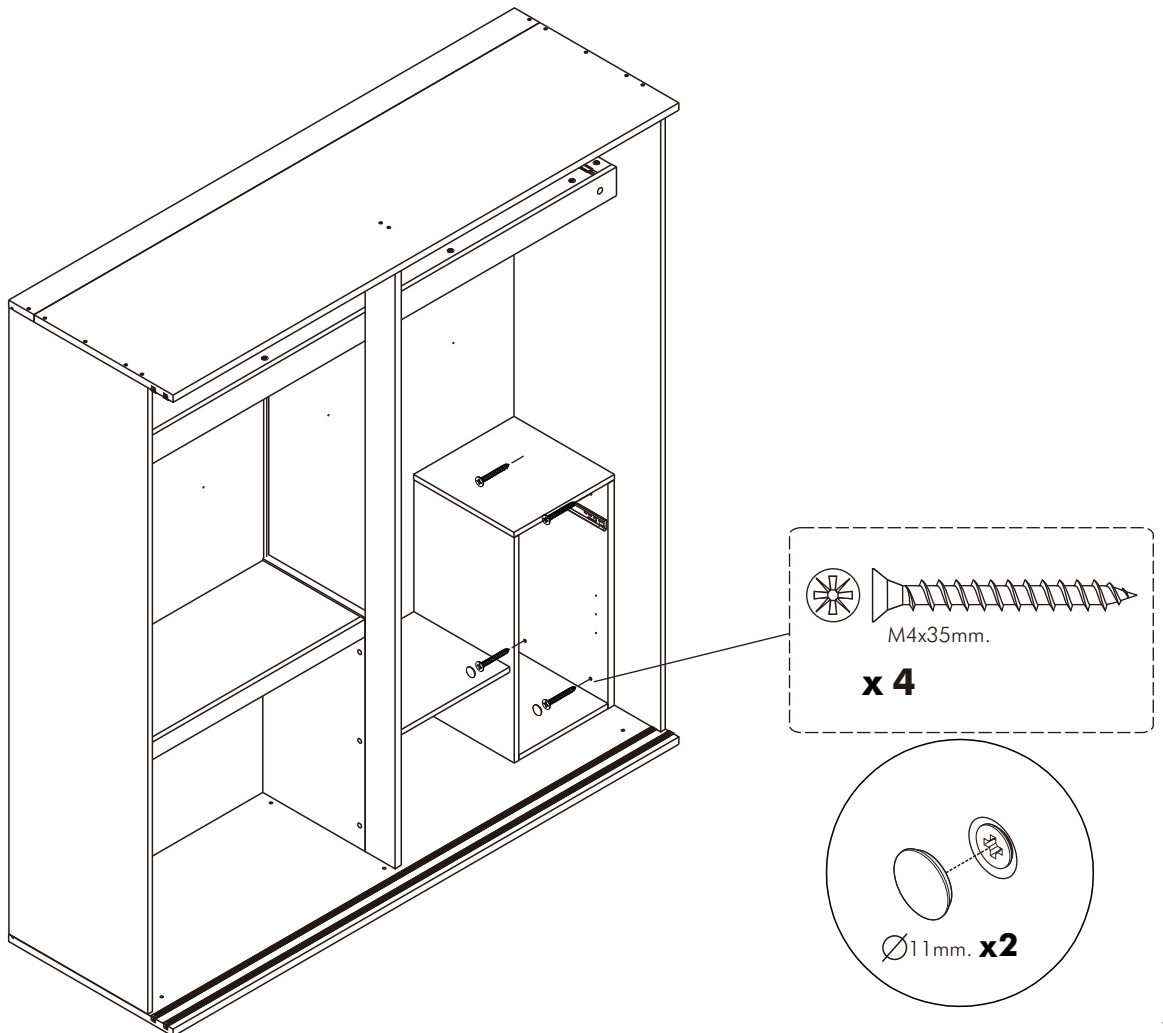


10

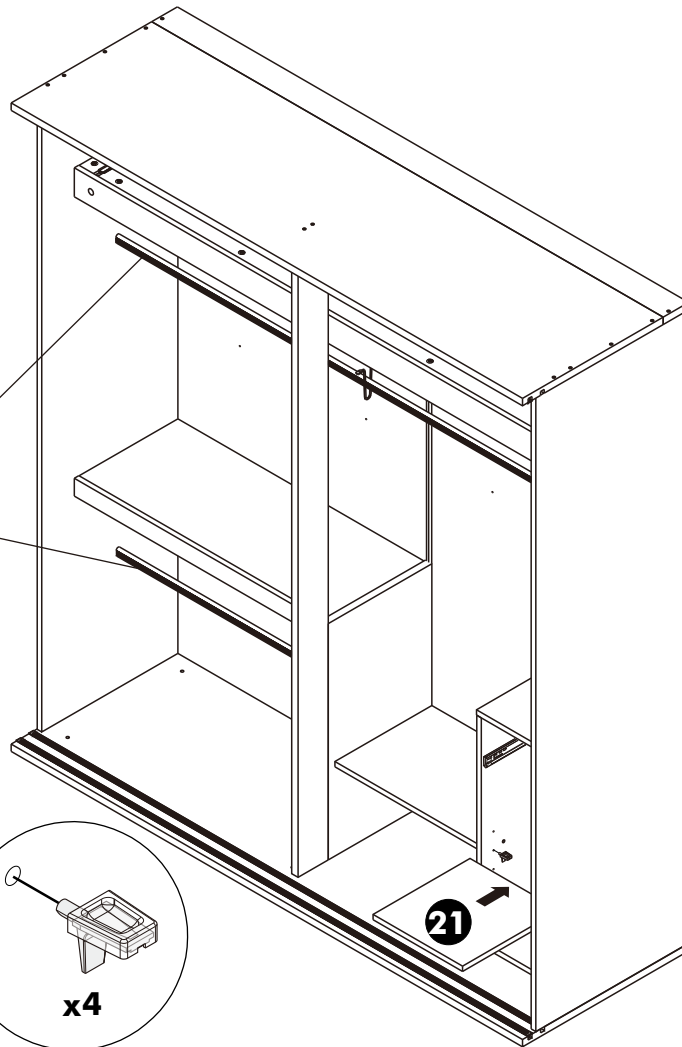
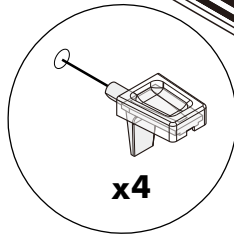
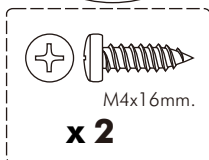
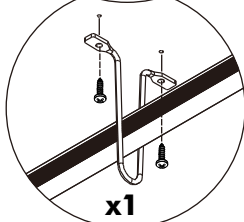
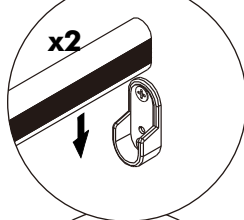
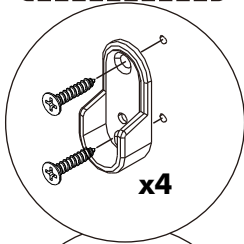
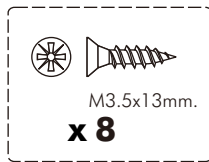
9.



10.



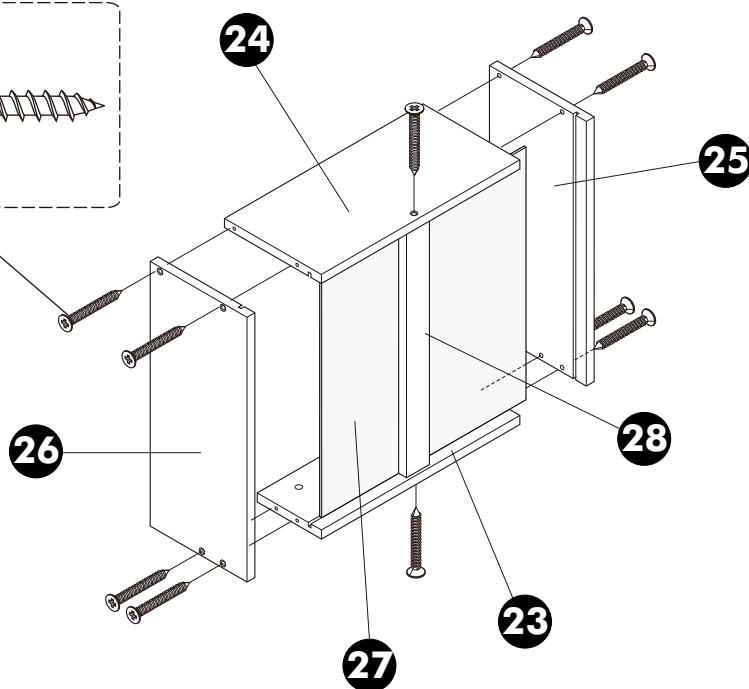
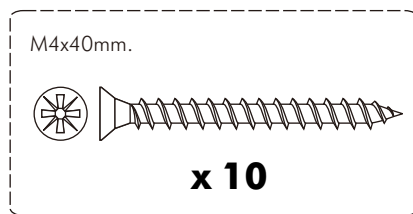
11.



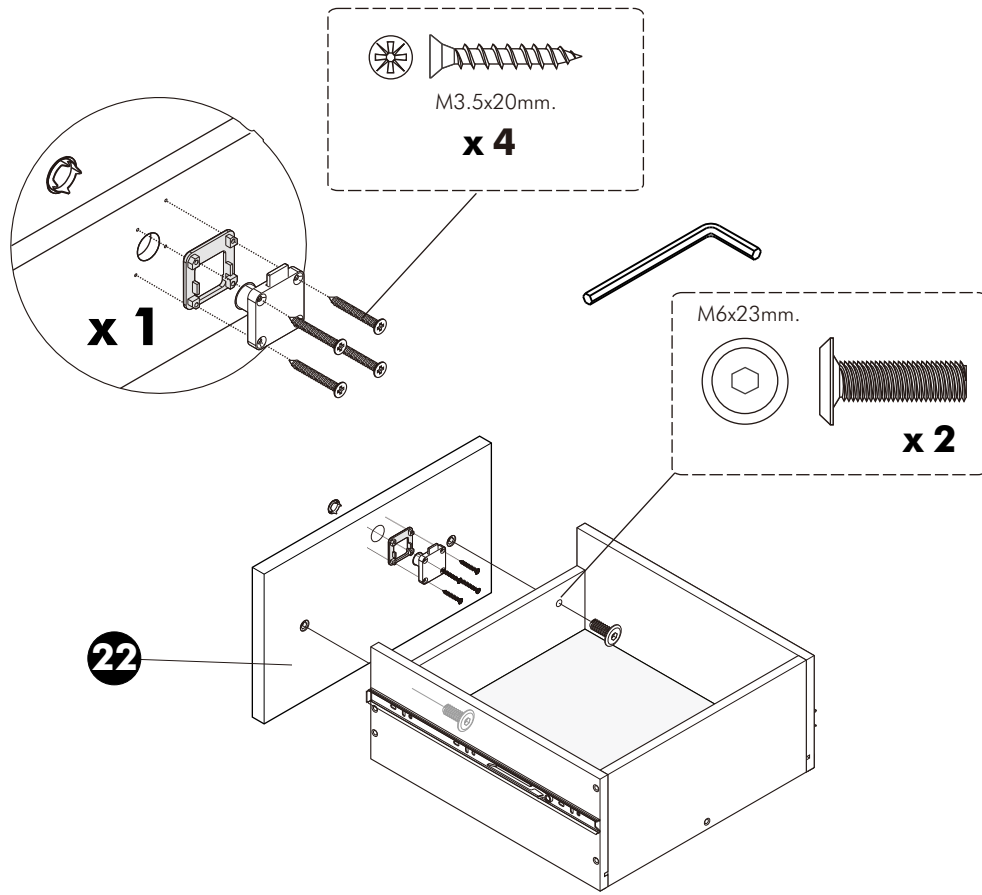
ASSEMBLY

-DRAWER SET

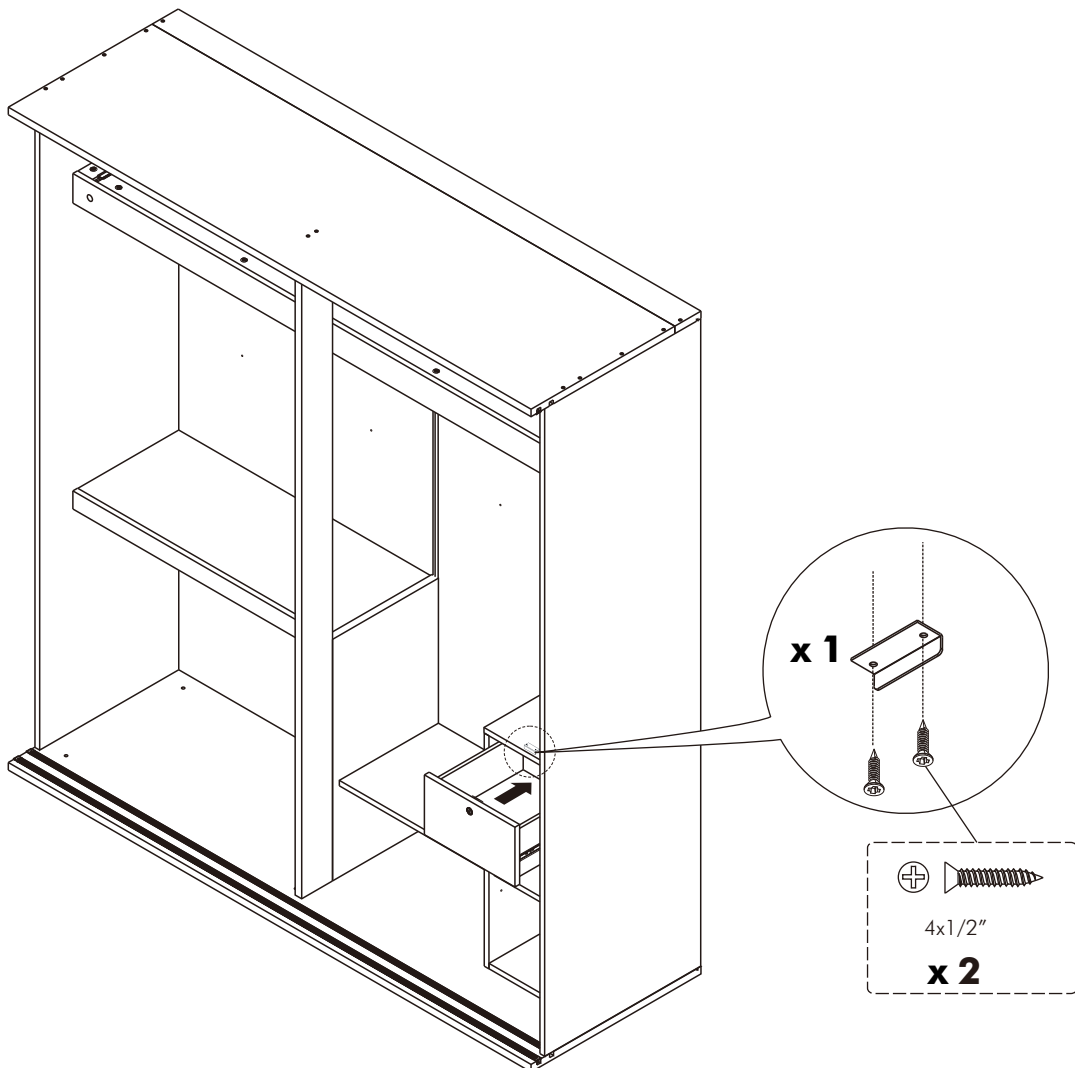
12.



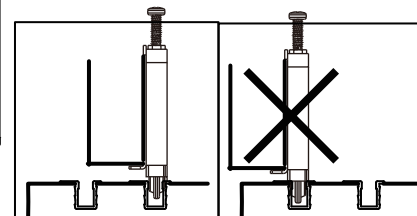
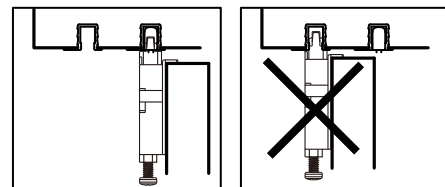
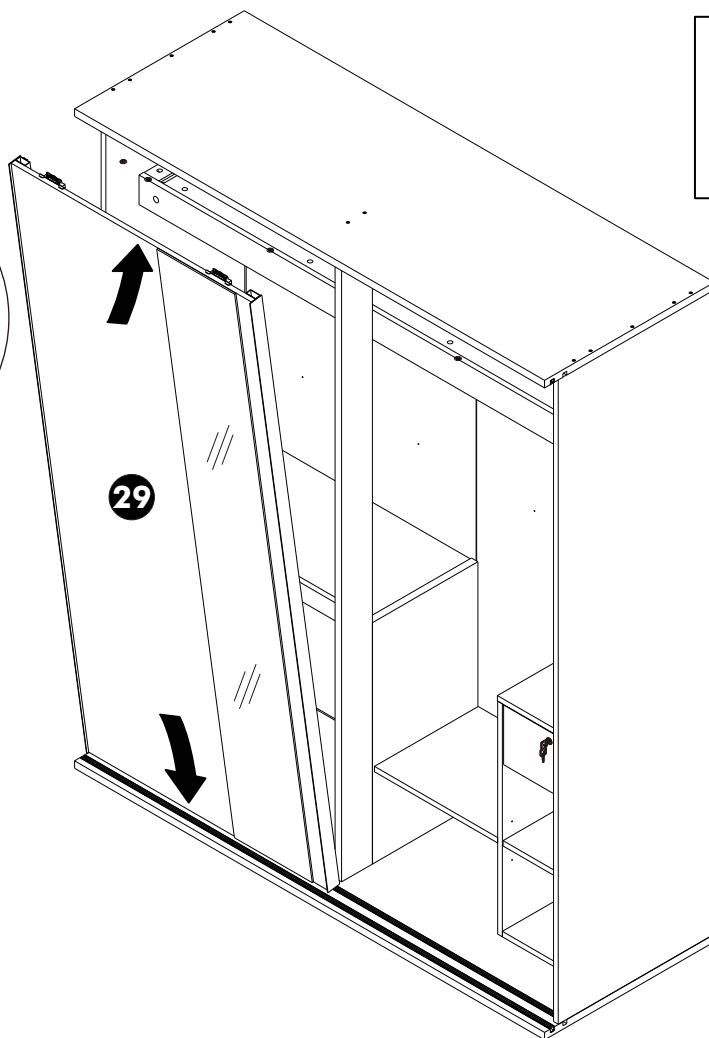
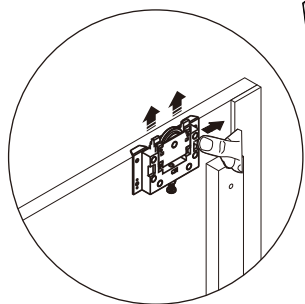
13.



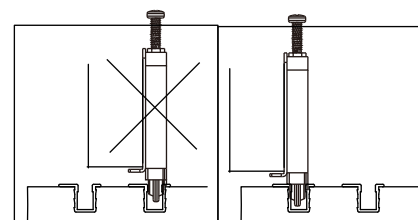
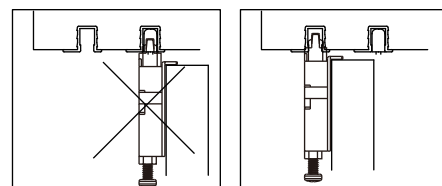
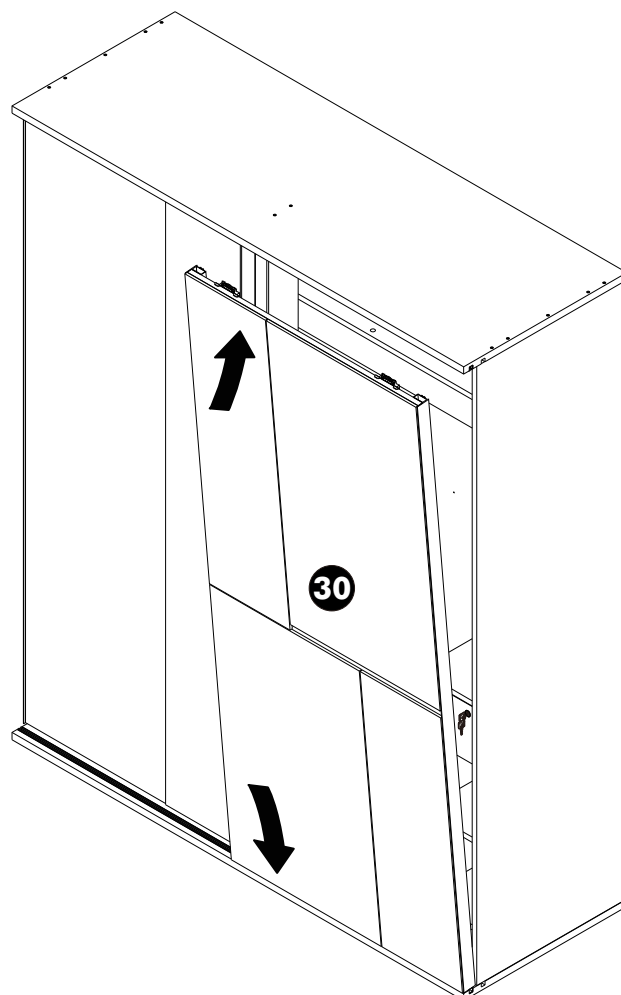
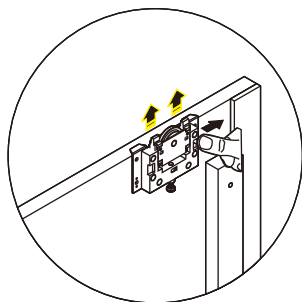
14.



16.



17.



17.

