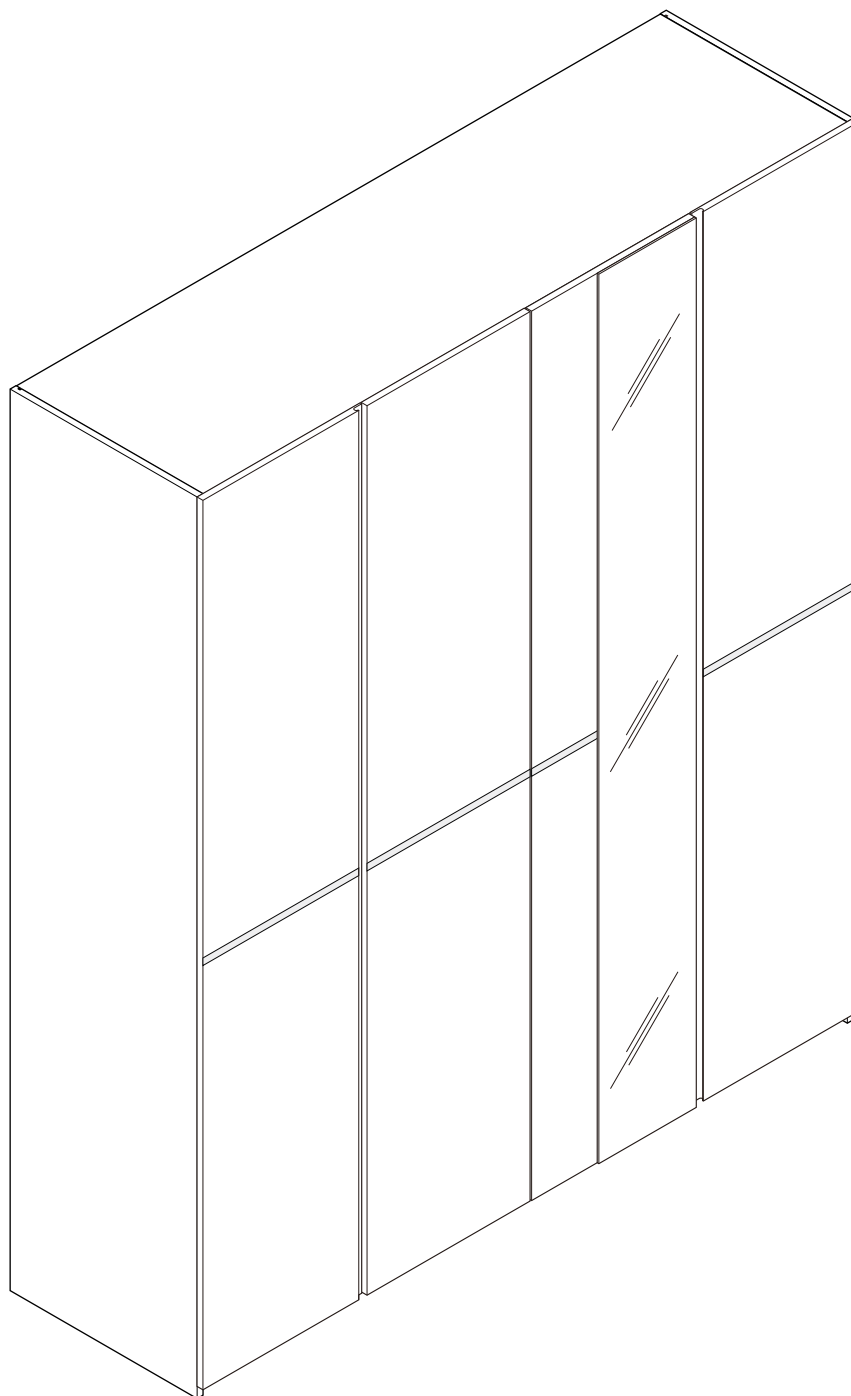
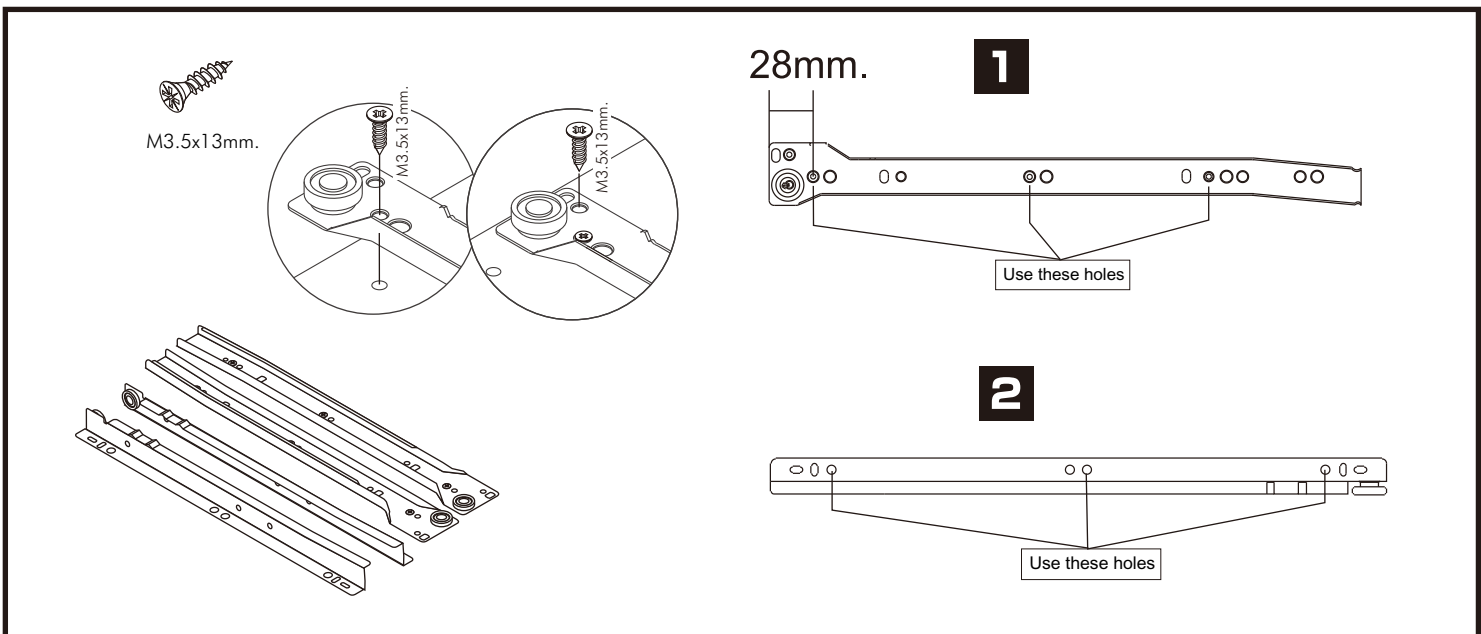
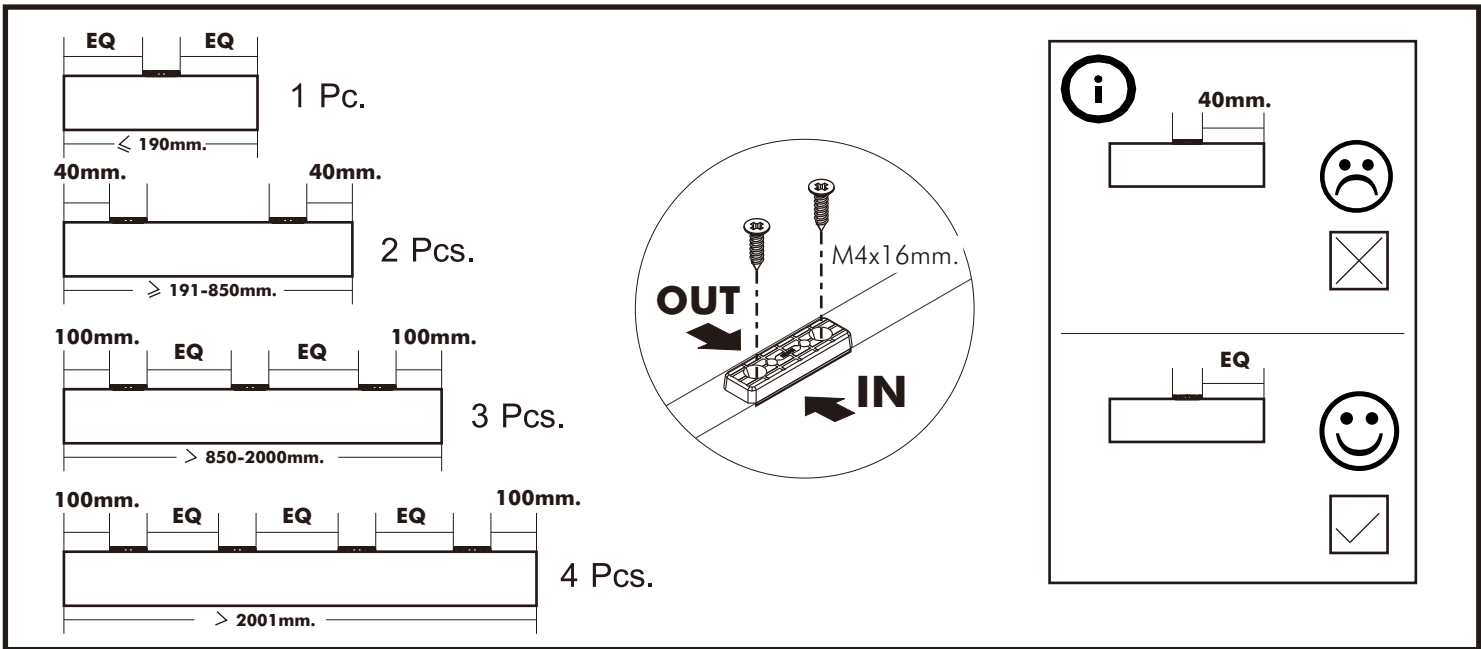
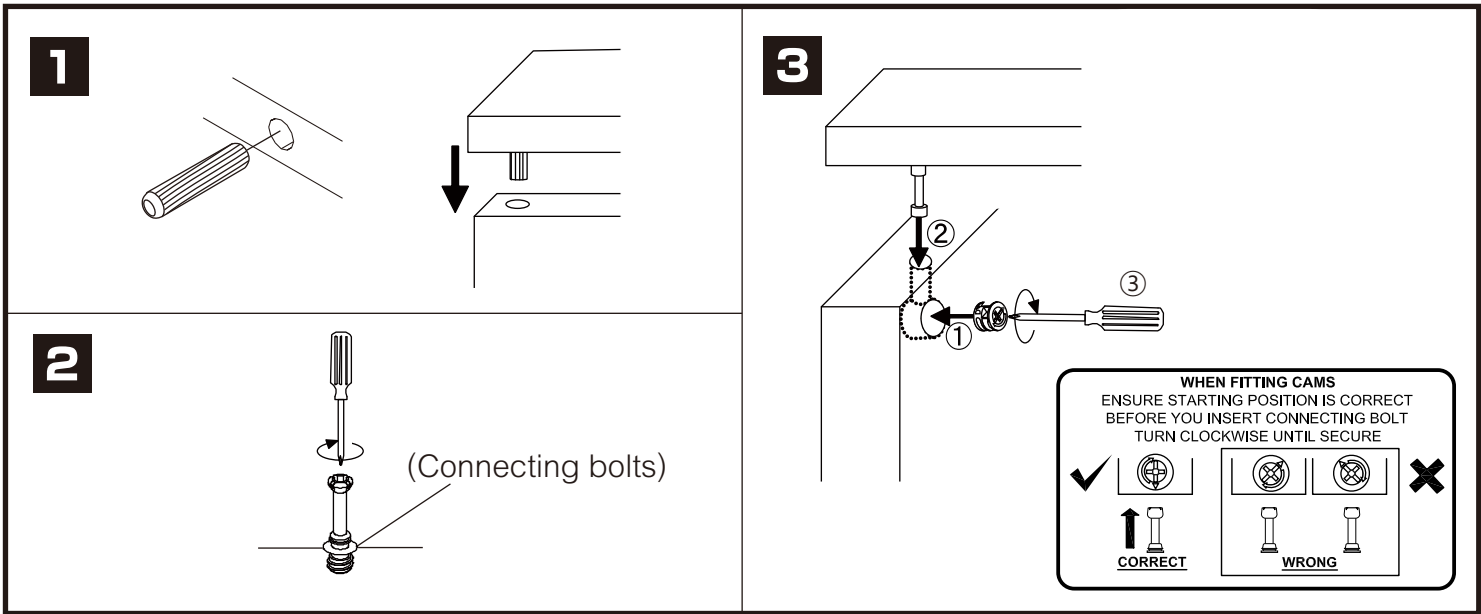


# ESTIMA

**Wardrobe 4 doors**

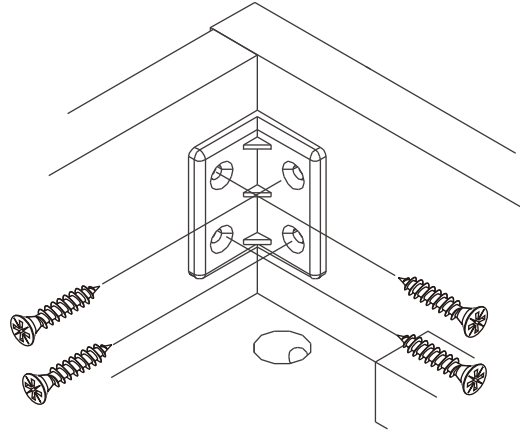
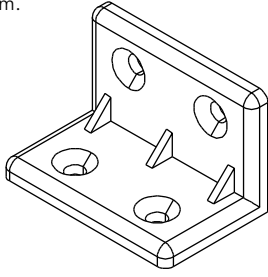


# CONNECT SYSTEM

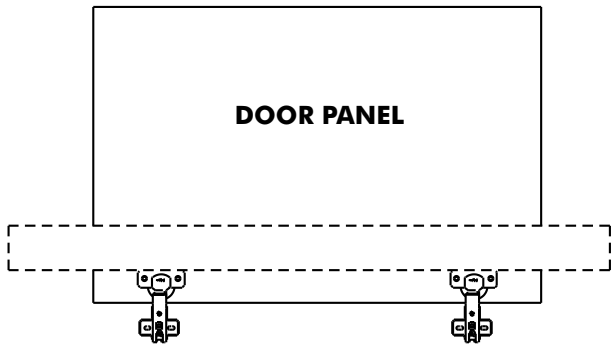




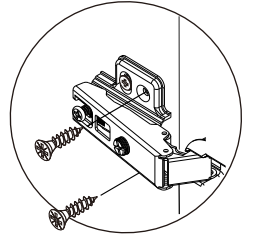
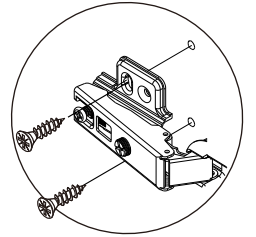
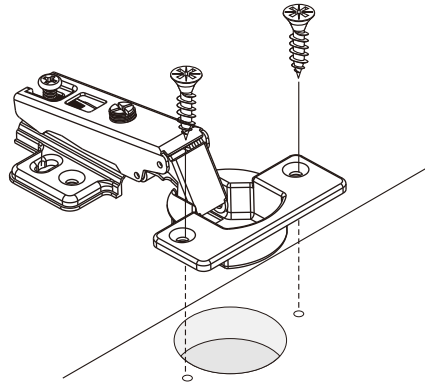
M4x16mm.



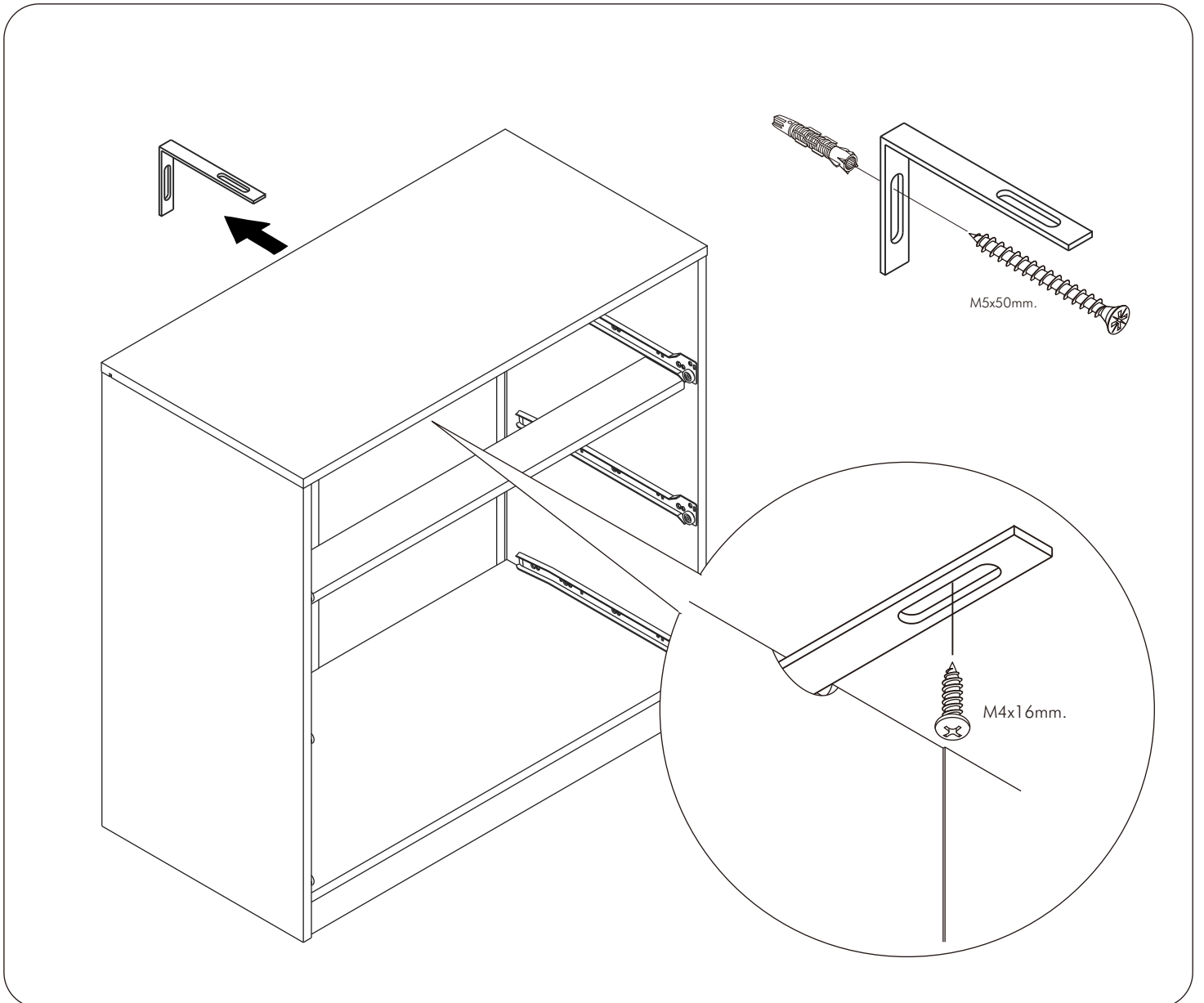
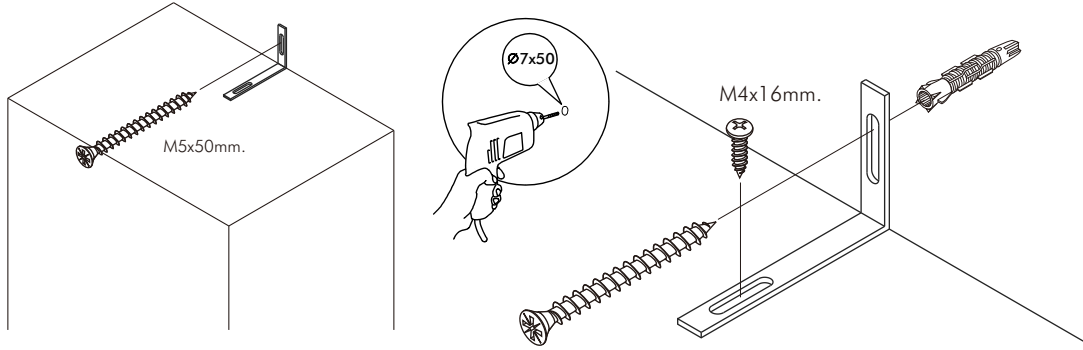
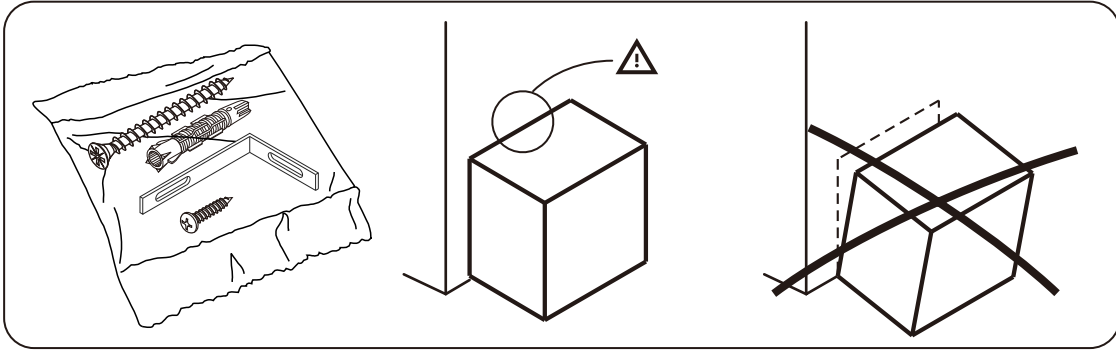
M4x16mm.



**DOOR PANEL**



**x2**



**The Standard for identifying which mounted safety fall protection fitting to use** **Note : That children's products must be installed with all anti-falling fittings.**

■ Mounted fall protection fittings



■ Category : Cabinet with open doors



■ Category : Chest of drawers



■ Category : Sliding door cabinet / Open cabinet



# HARDWARE

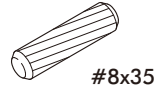
## -BODY SET



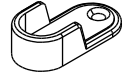
**x 30**



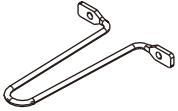
**x 30**



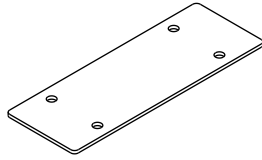
**x 36**



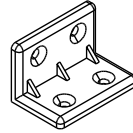
**x 4**



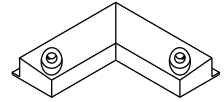
**x 1**



**x 2**



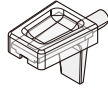
**x 23**



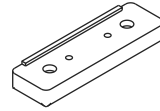
**x 2**



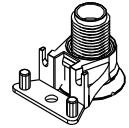
**x 4**



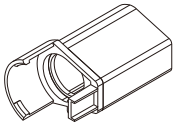
**x 4**



**x 12**



**x 6**



**x 6**



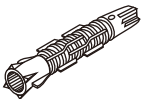
**x 4**



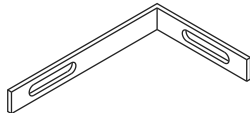
**x 8**



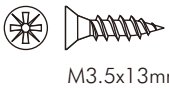
**x 2**



**x 2**



**x 2**



M3.5x13mm.

**x 8**



M4x16mm.

**x 122**



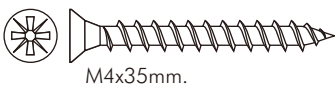
M3.5x20mm.

**x 4**



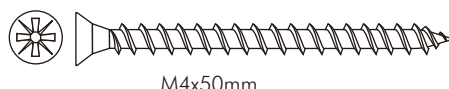
M4x25mm.

**x 12**



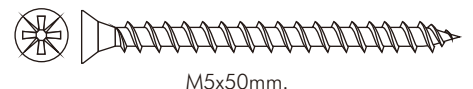
M4x35mm.

**x 4**



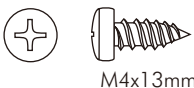
M4x50mm.

**x 11**



M5x50mm.

**x 2**



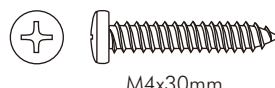
M4x13mm.

**x 12**



M4x16mm.

**x 42**

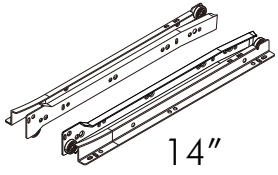


M4x30mm.

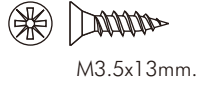
**x 6**

# HARDWARE

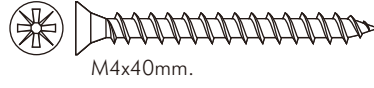
## -DRAWER SET



**x 1**



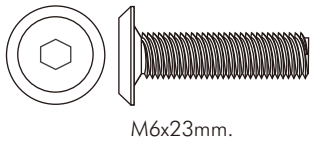
**x 14**



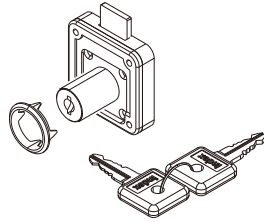
**x 10**



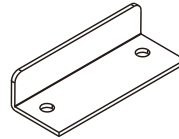
**x 1**



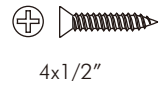
**x 2**



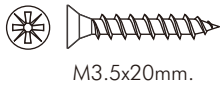
**x 1**



**x 1**

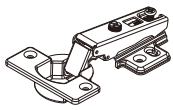


**x 2**



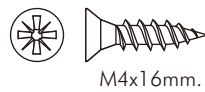
**x 4**

## -DOOR SET



(FULL OVERLAY)

**x 16**



**x 96**

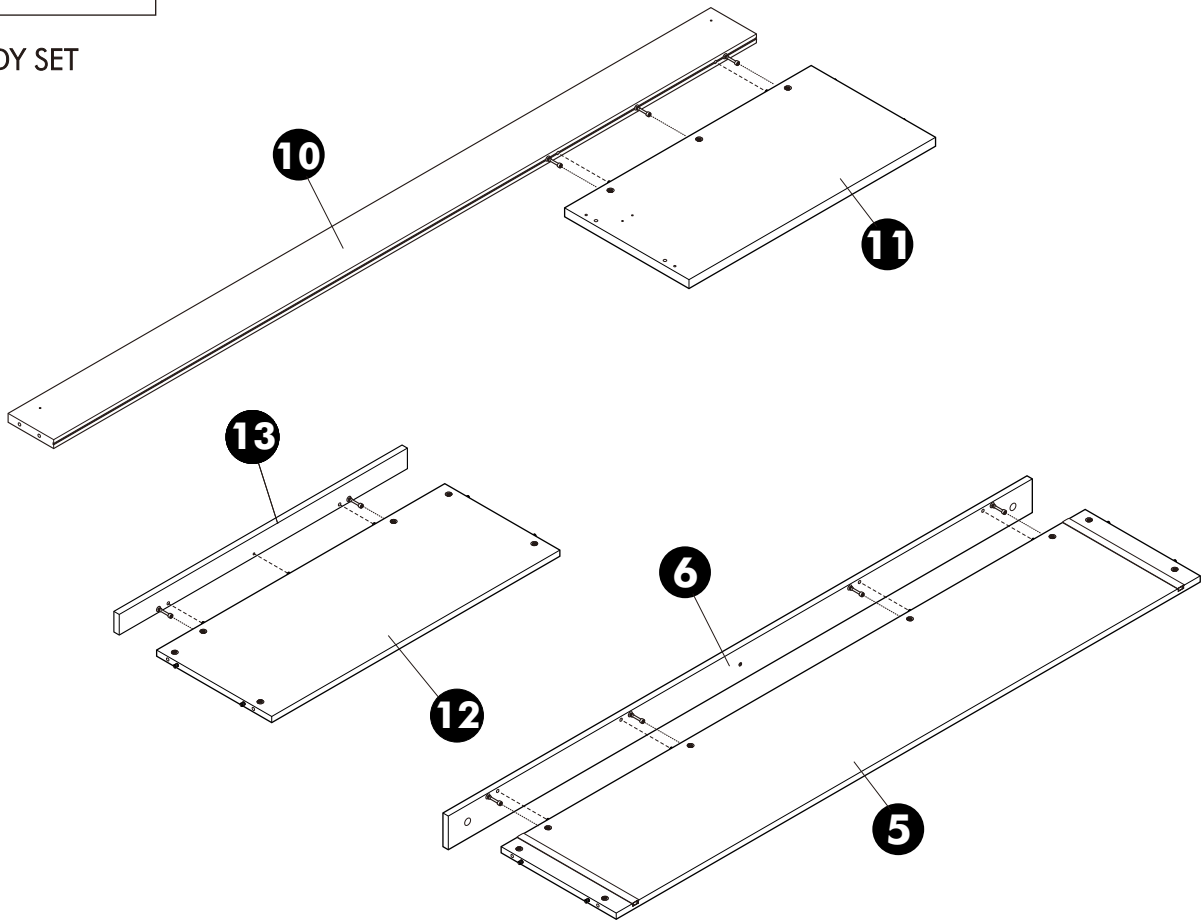


**x 8**

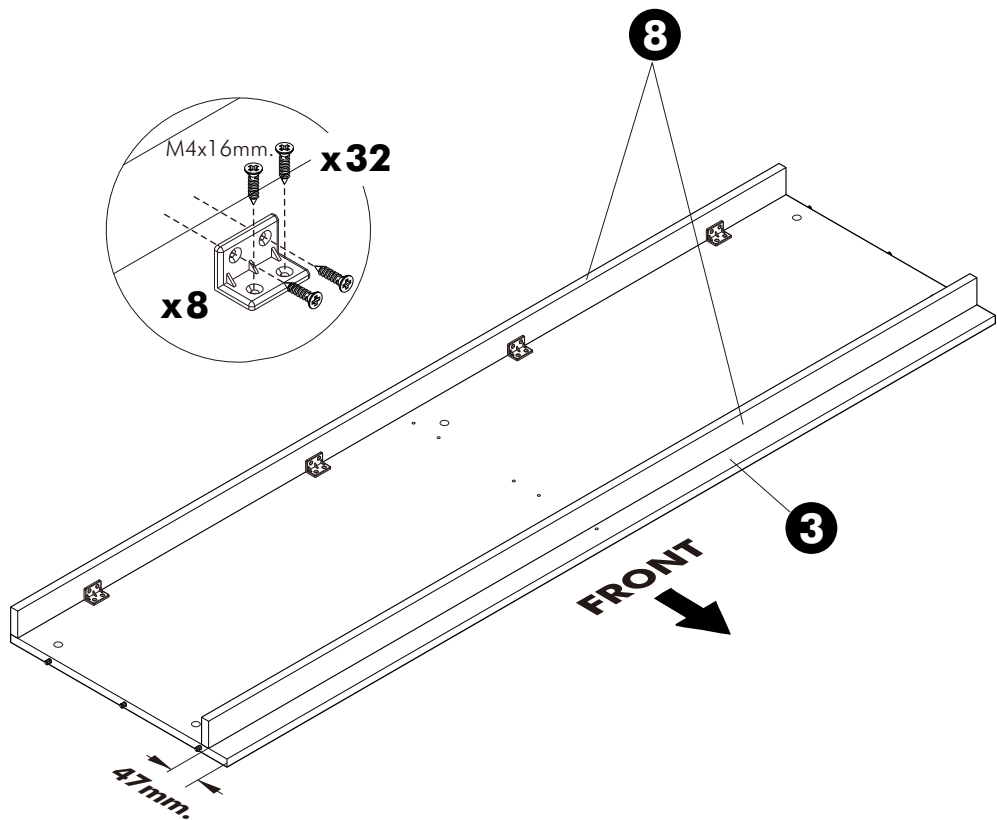
# ASSEMBLY

-BODY SET

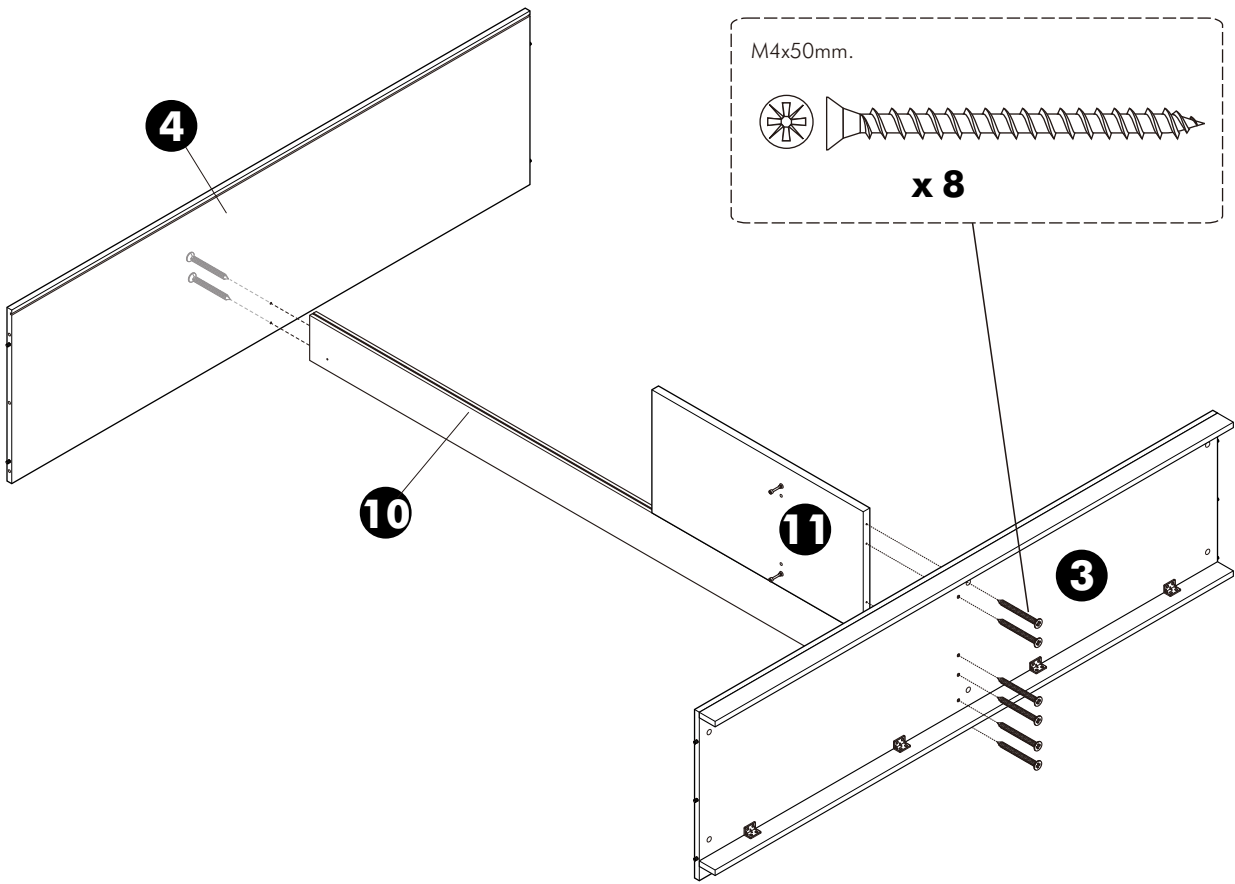
1.



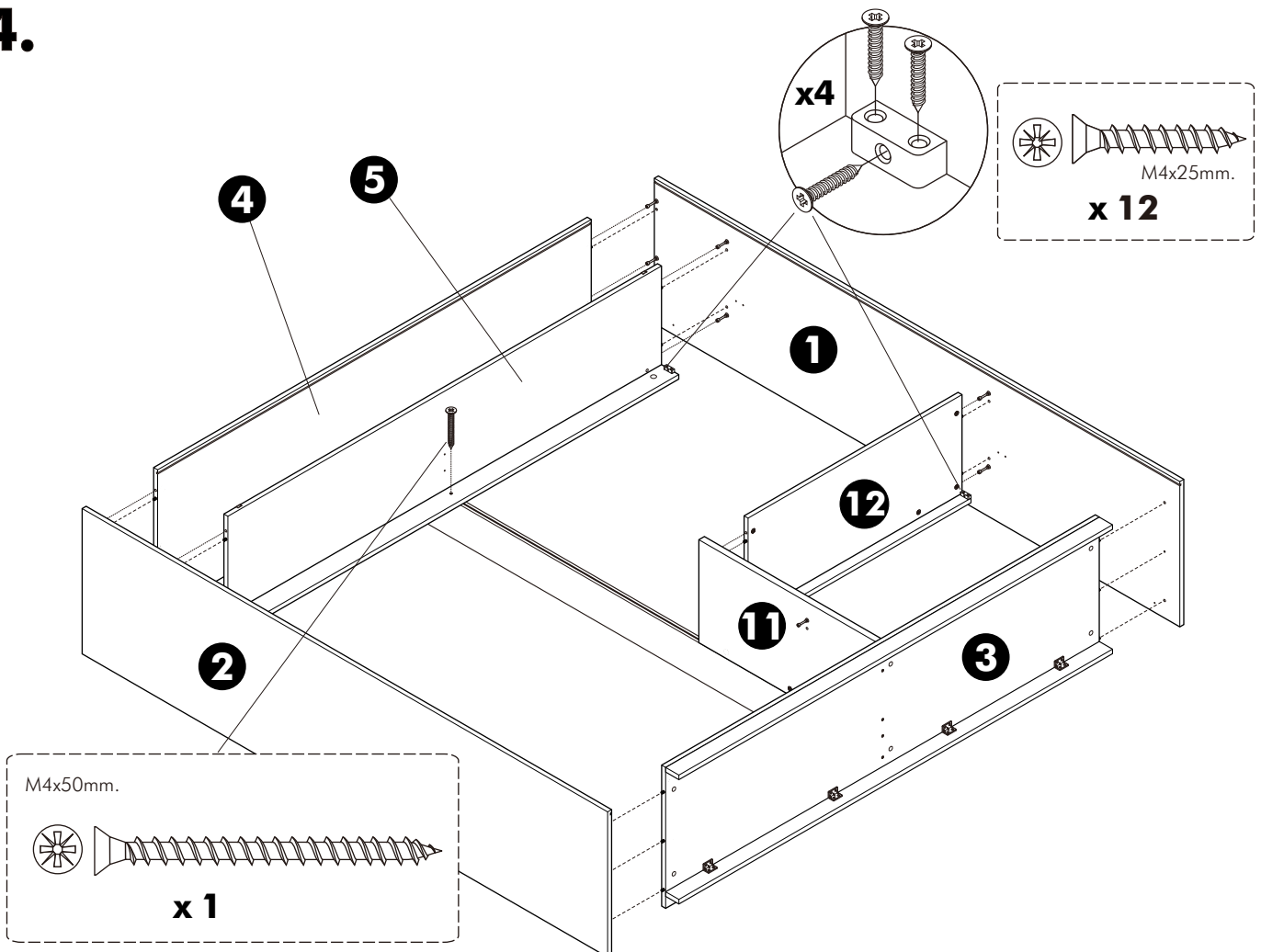
2.



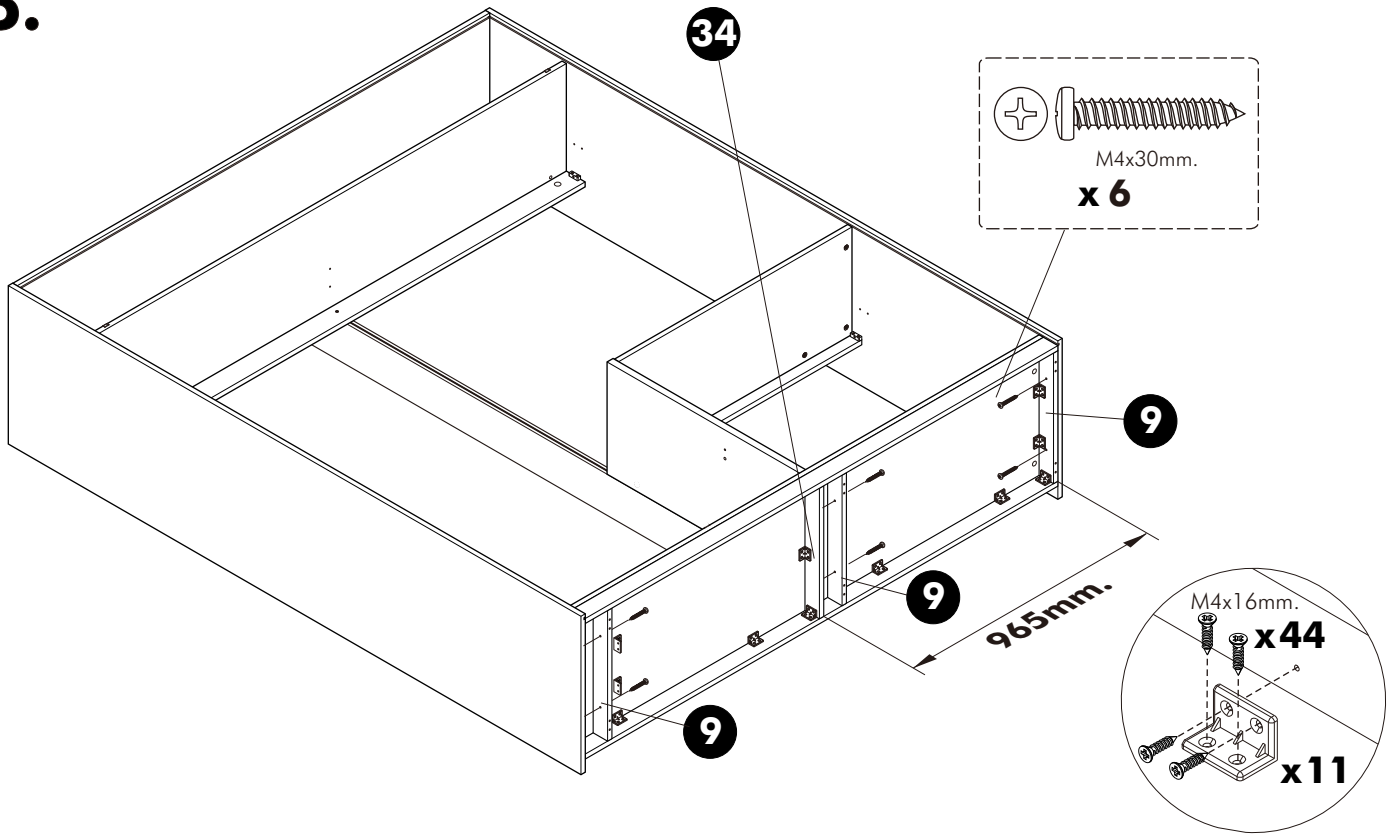
**3.**



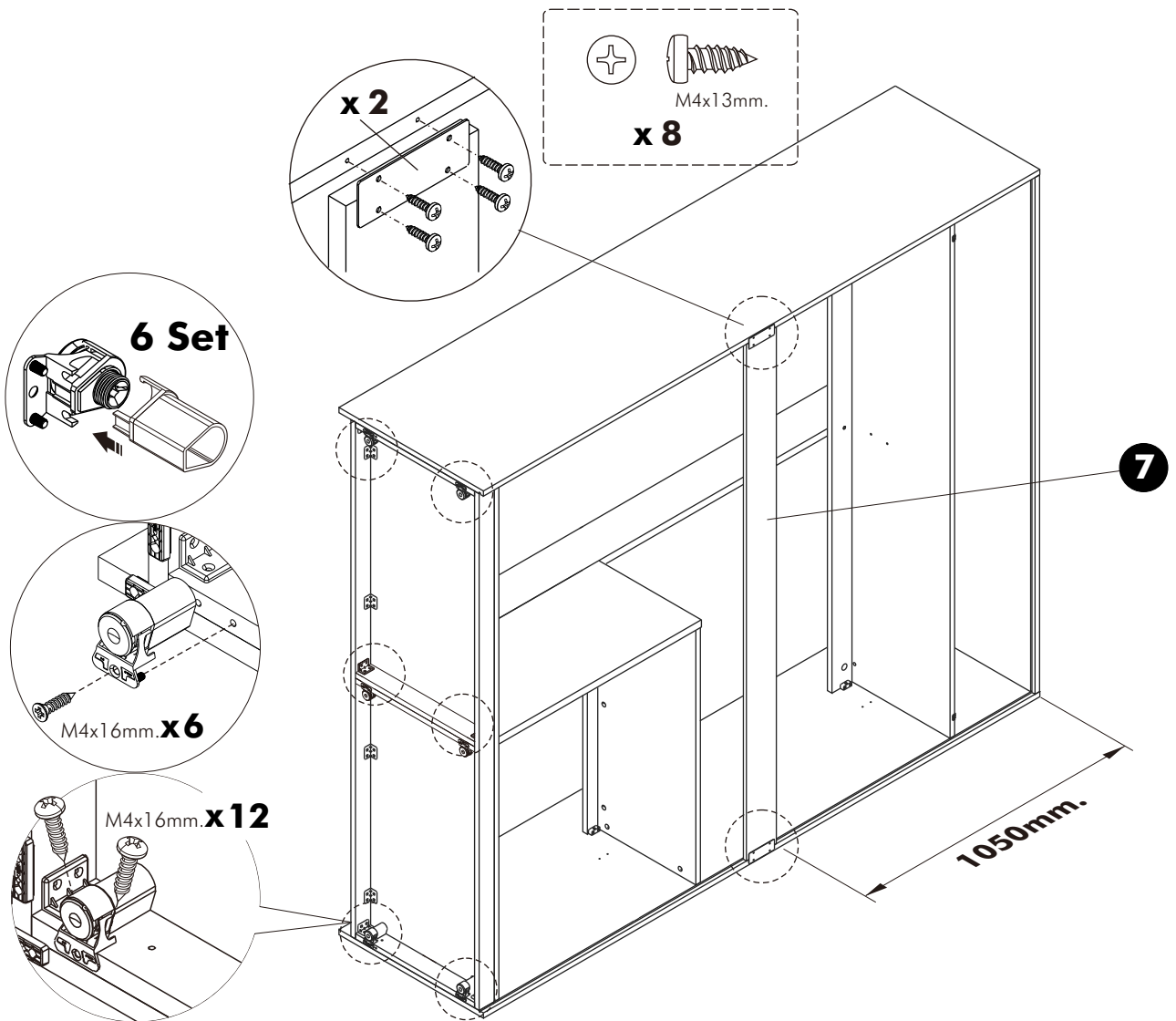
**4.**



5.

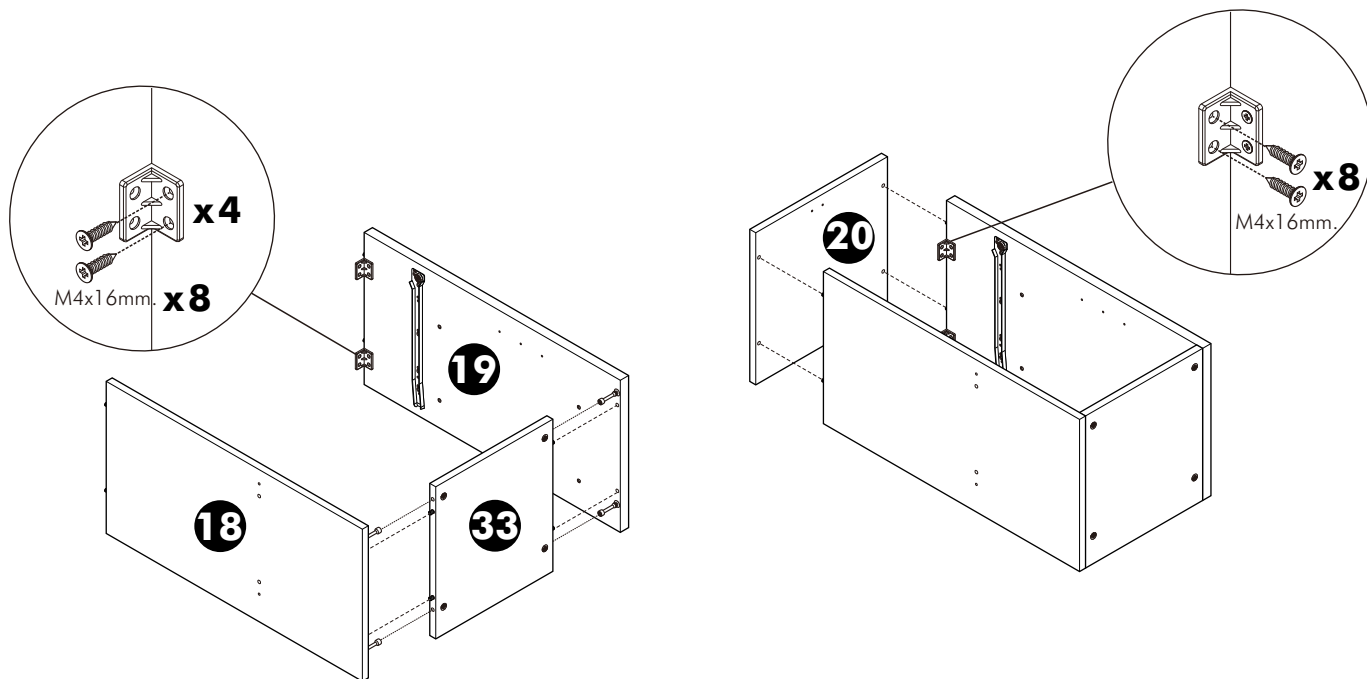


6.

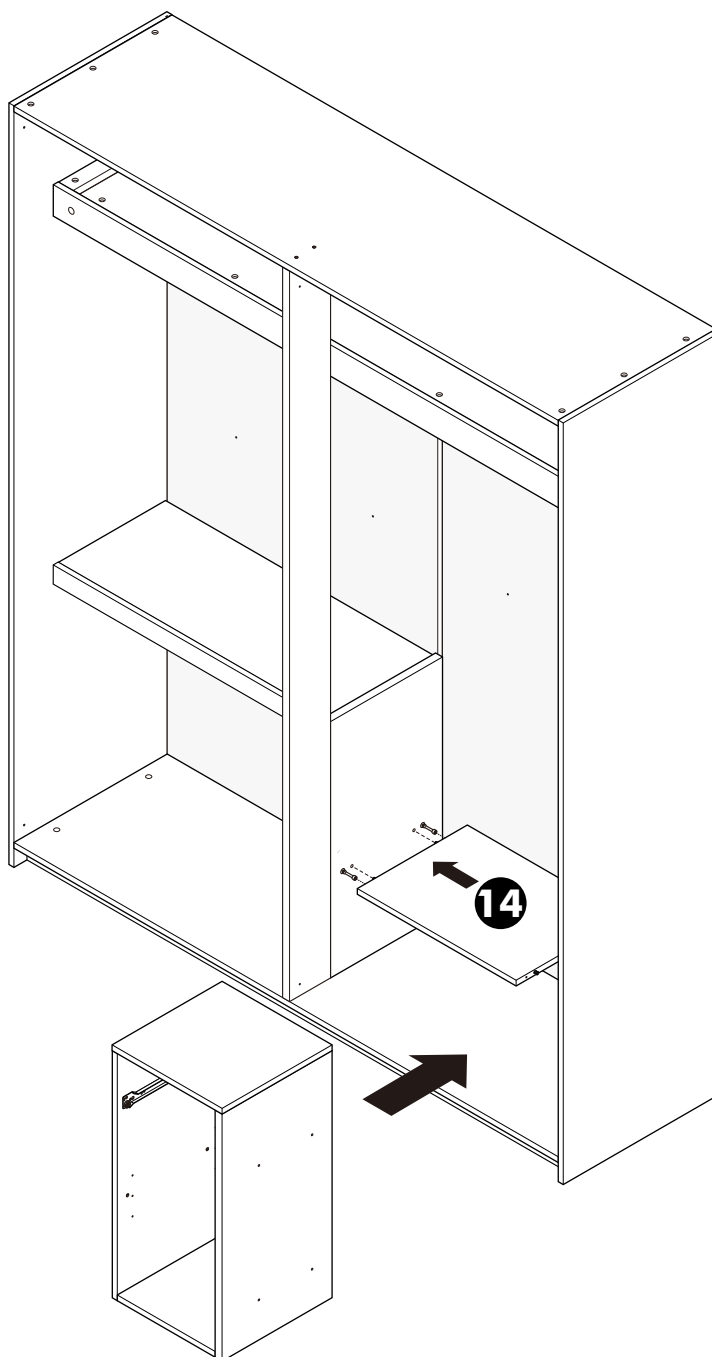




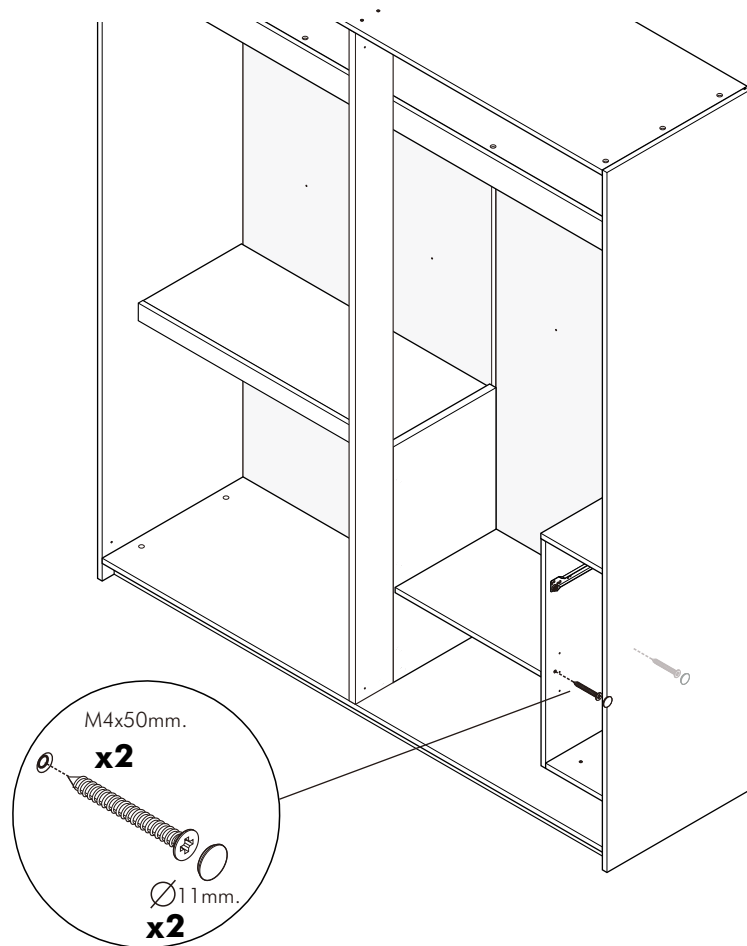
**9.**



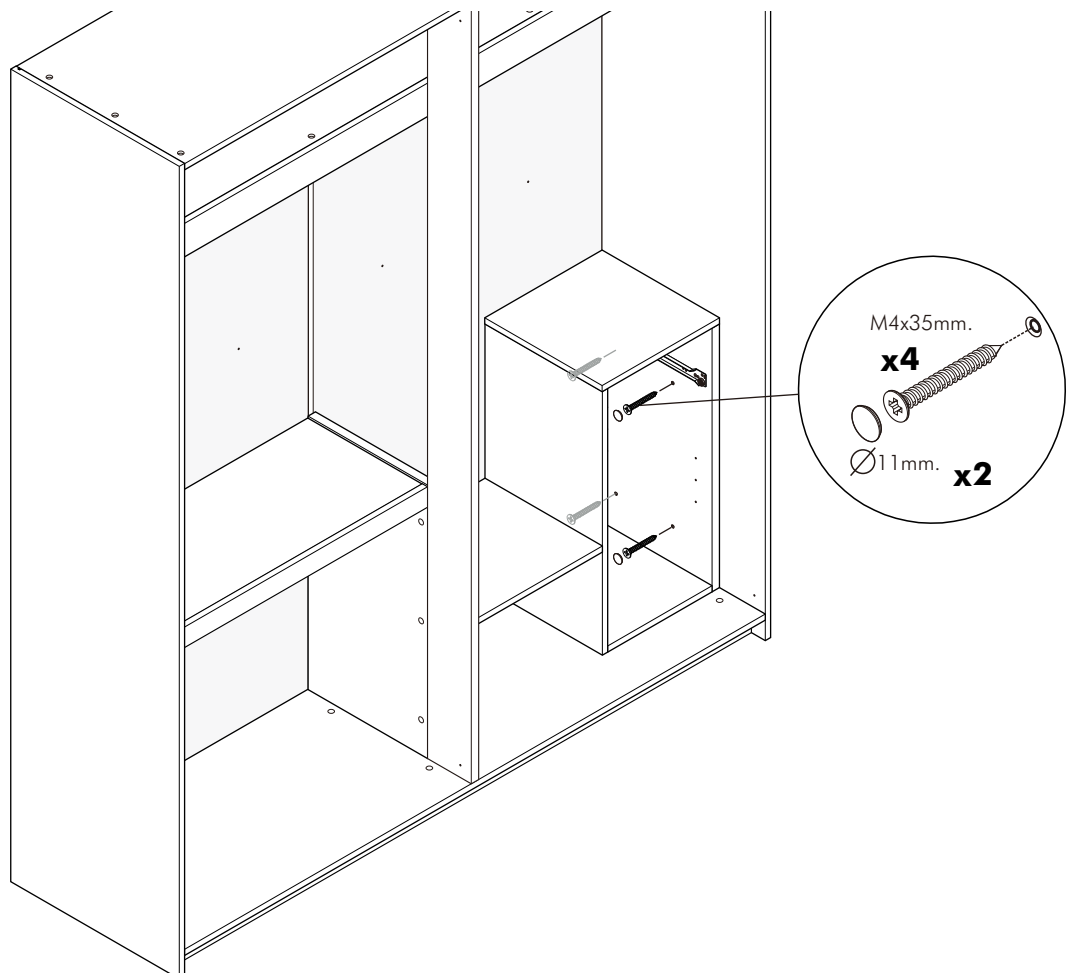
**10.**



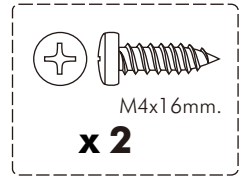
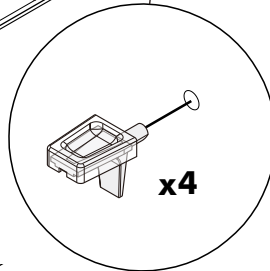
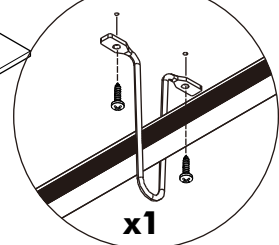
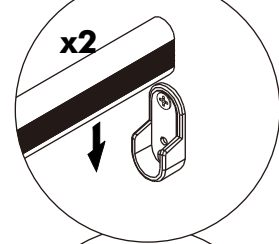
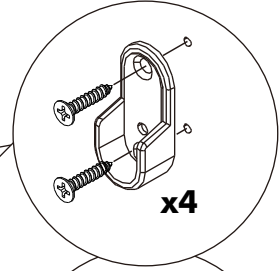
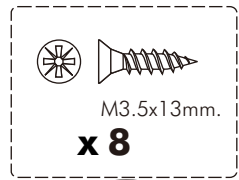
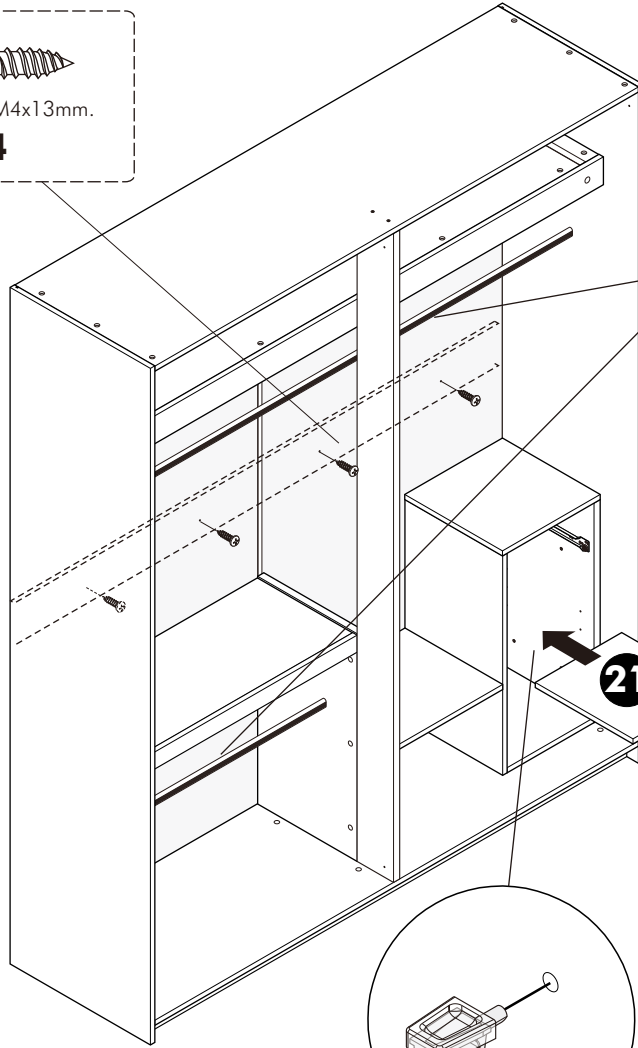
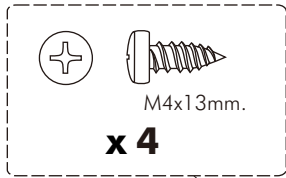
**11.**



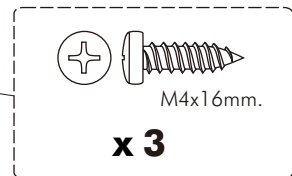
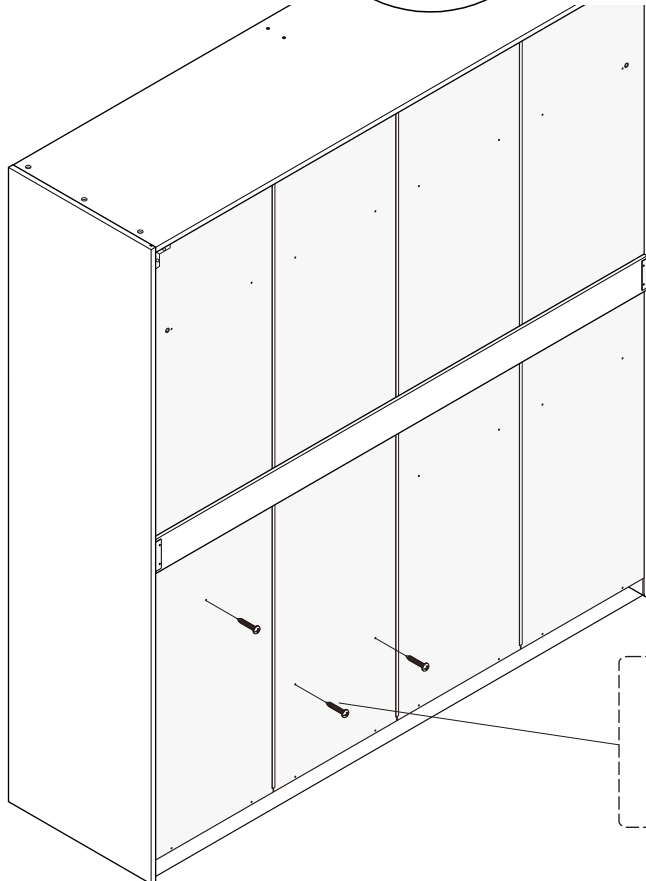
**12.**



**13.**

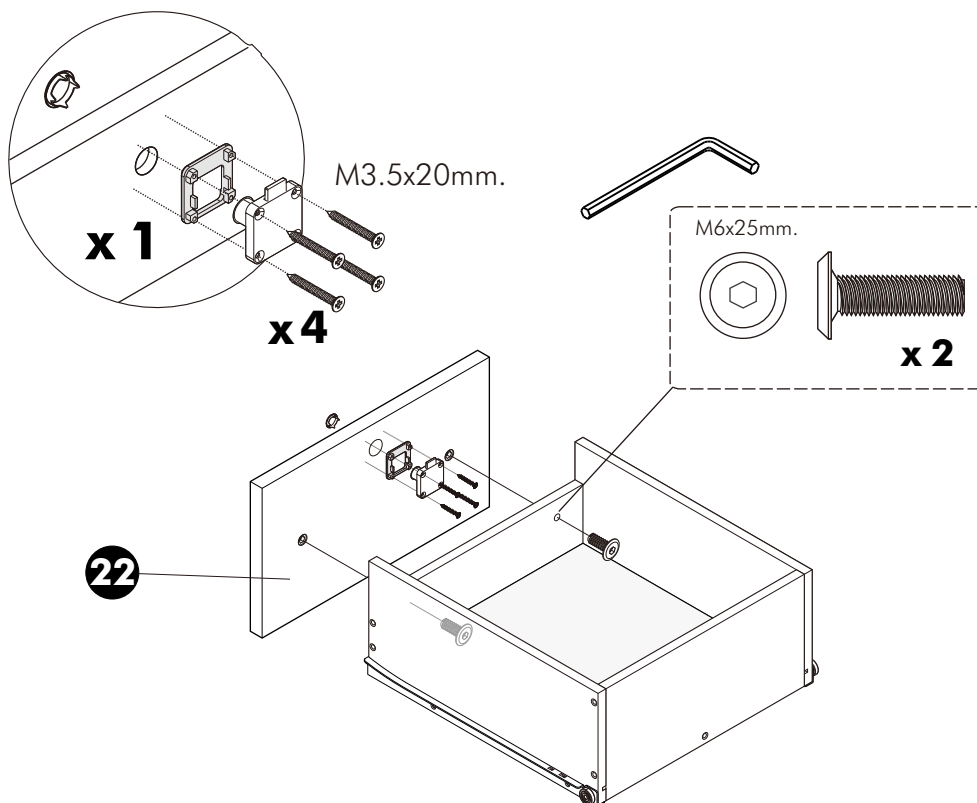
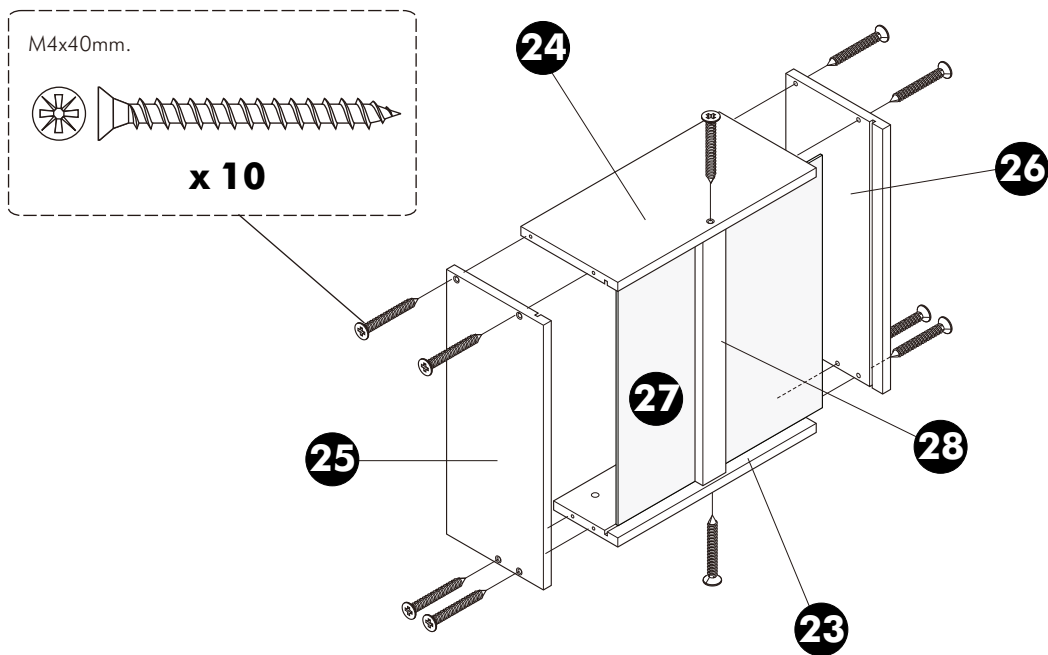


**14.**



# ASSEMBLY

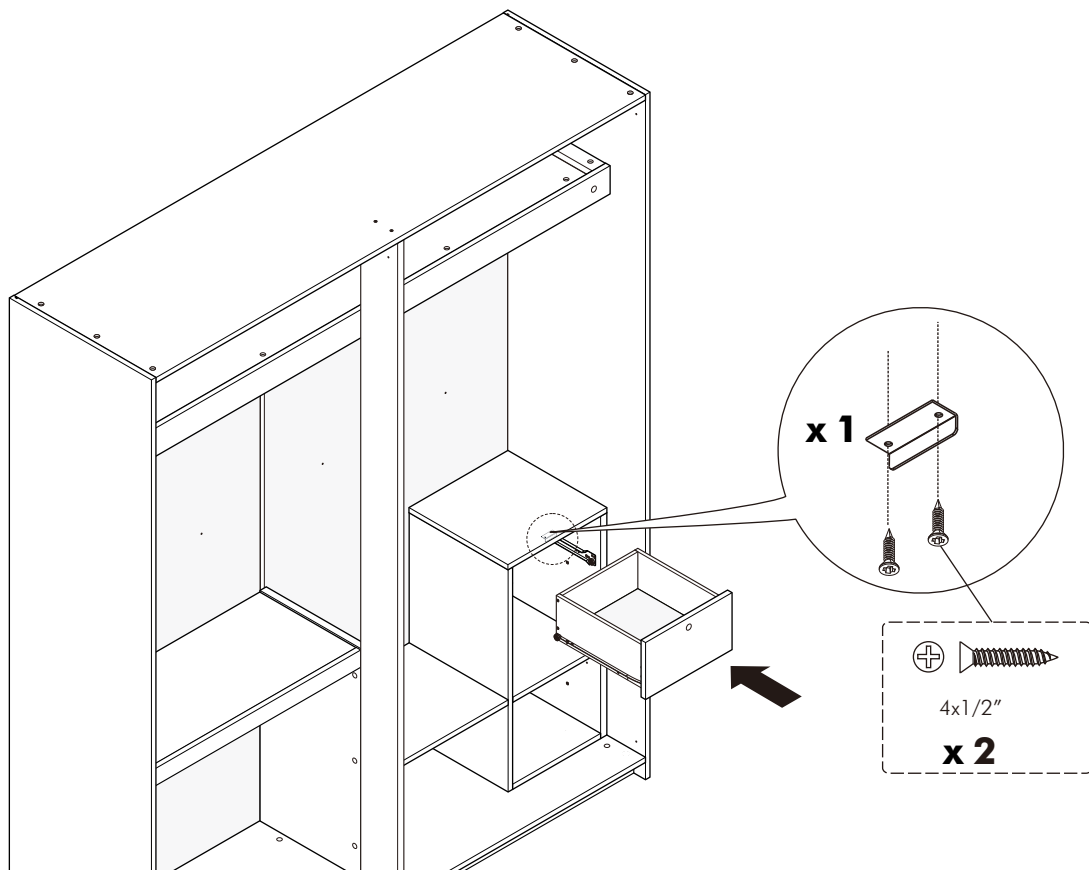
-DRAWER SET



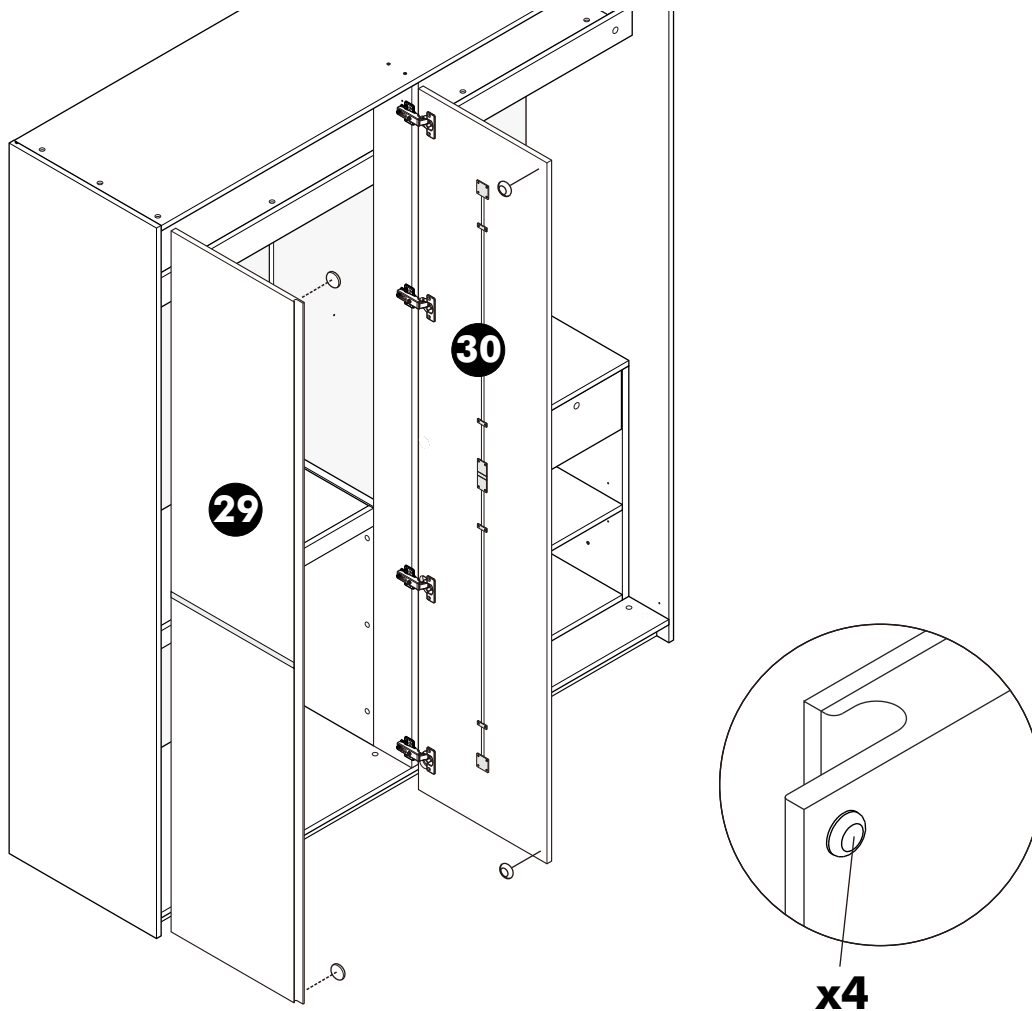
# ASSEMBLY

-DOOR SET

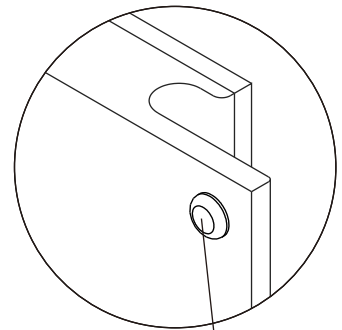
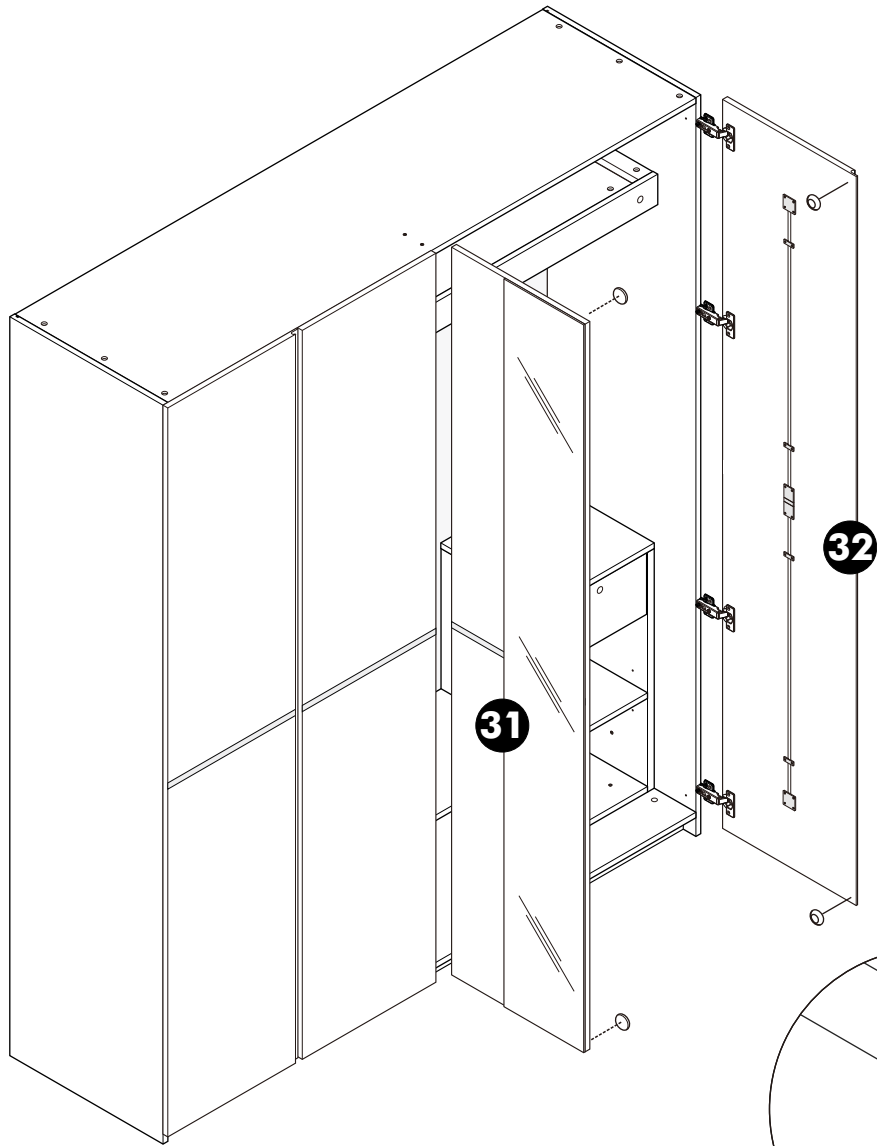
## 1.



## 2.



**3.**



**x4**