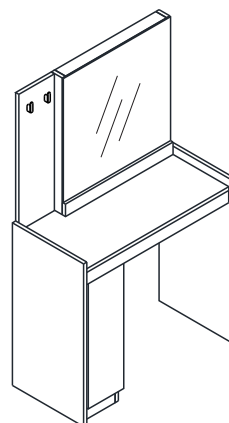
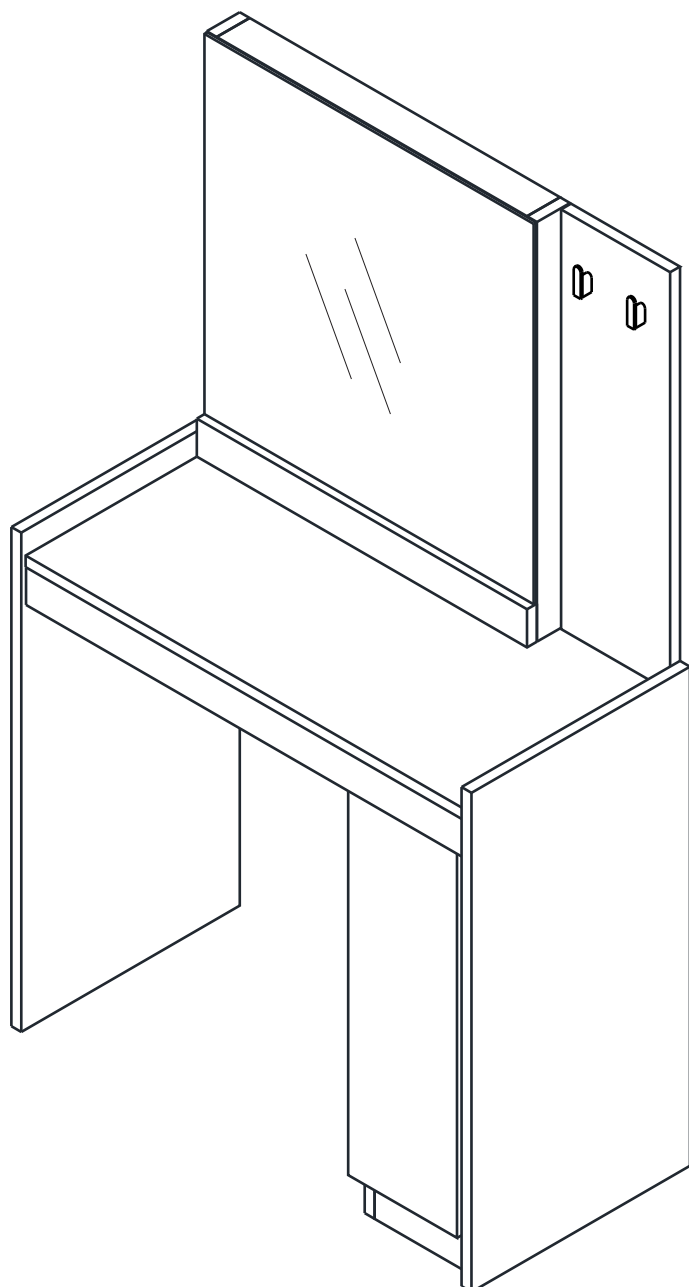


# ESTIMA

Dressing table

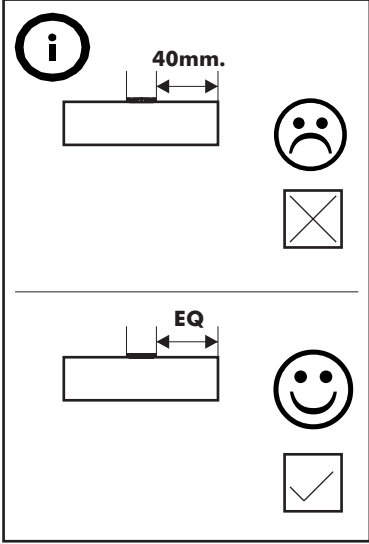
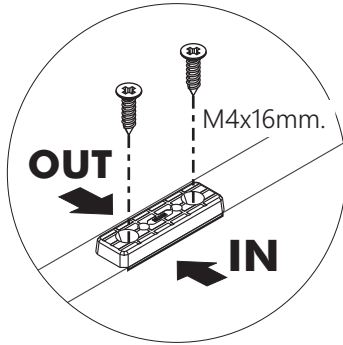
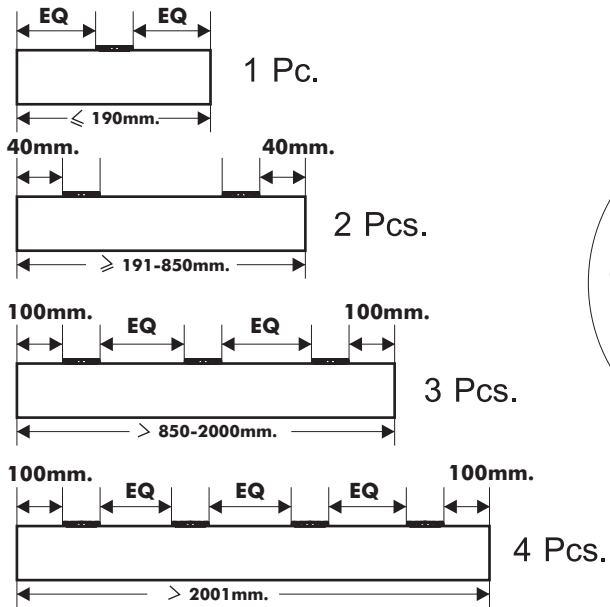
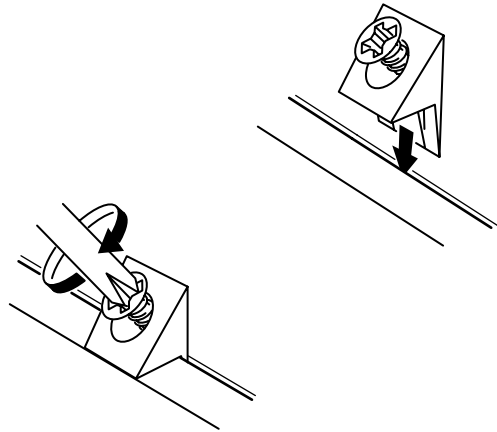
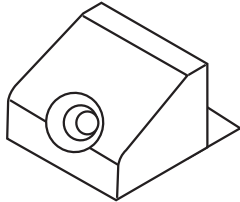


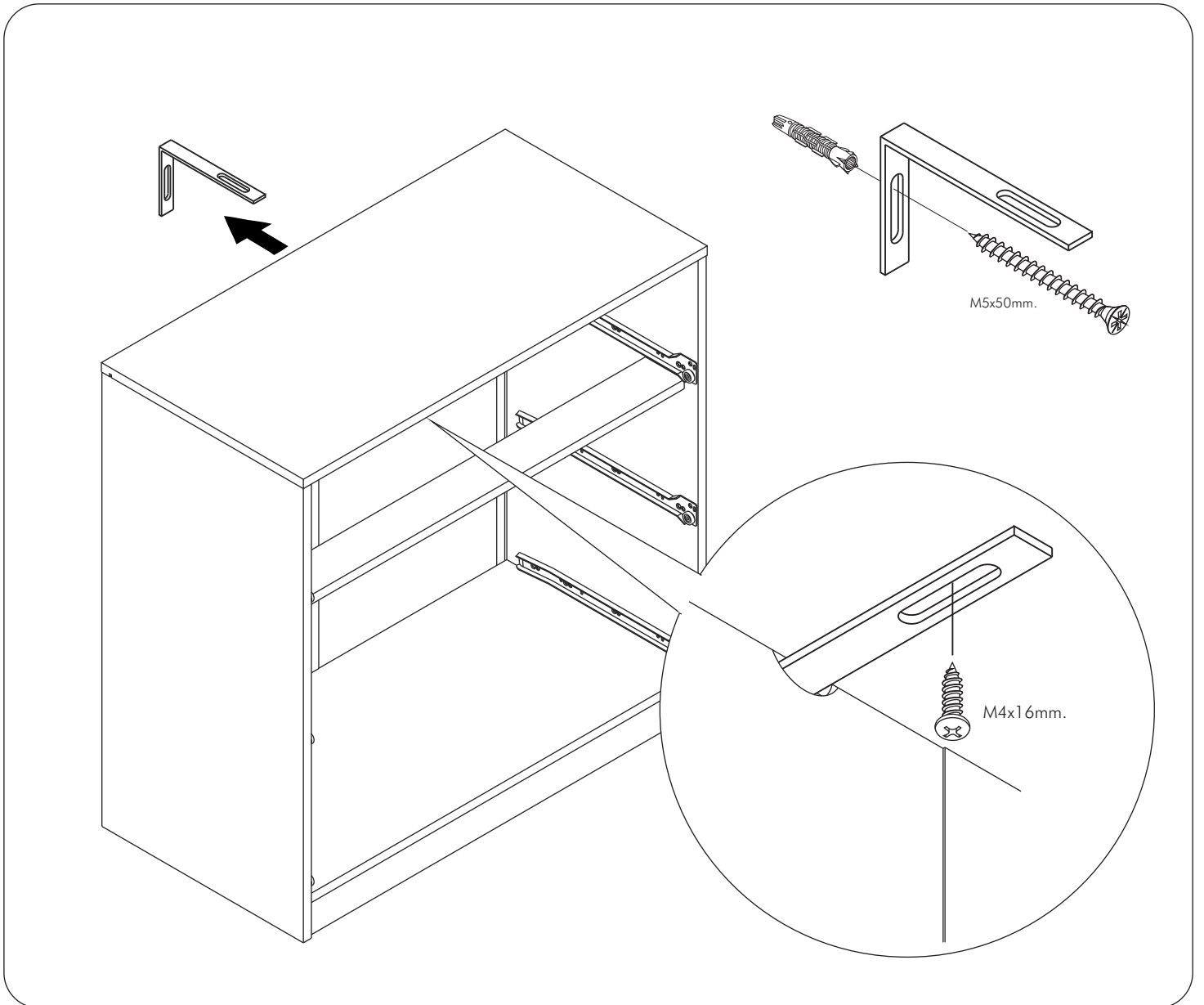
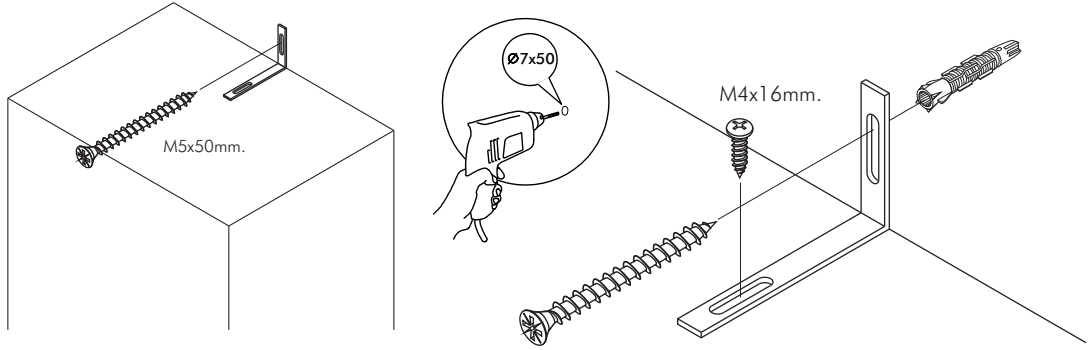
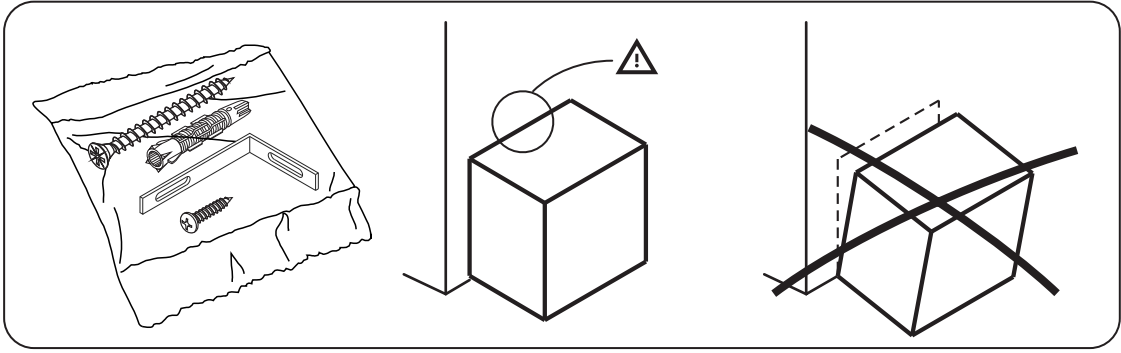


# CONNECT SYSTEM



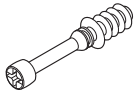
M3.5x20mm.





# HARDWARE

## -BODY SET

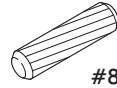


**x 7**



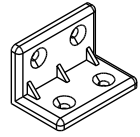
19mm.

**x 7**

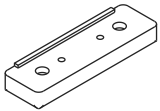


#8x35

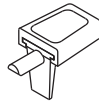
**x 14**



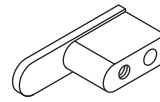
**x 8**



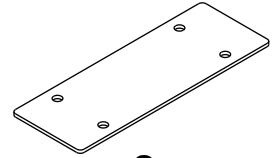
**x 8**



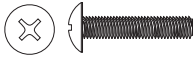
**x 4**



**x 2**

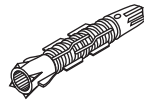


**x 2**



M4x25mm.

**x 2**



**x 1**



∅ 11mm.

**x 2**



M4x16mm.

**x 56**

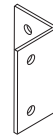


**x 4**

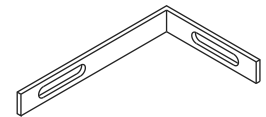


M3.5x20mm.

**x 4**



**x 5**



**x 1**



M4x30mm.

**x 7**



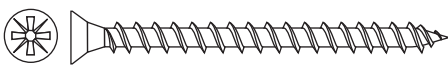
M4x16mm.

**x 23**



M5x50mm.

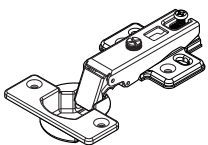
**x 1**



M4x50mm.

**x 7**

## -DOOR SET



**x 2**



M4x16mm.

**x 12**

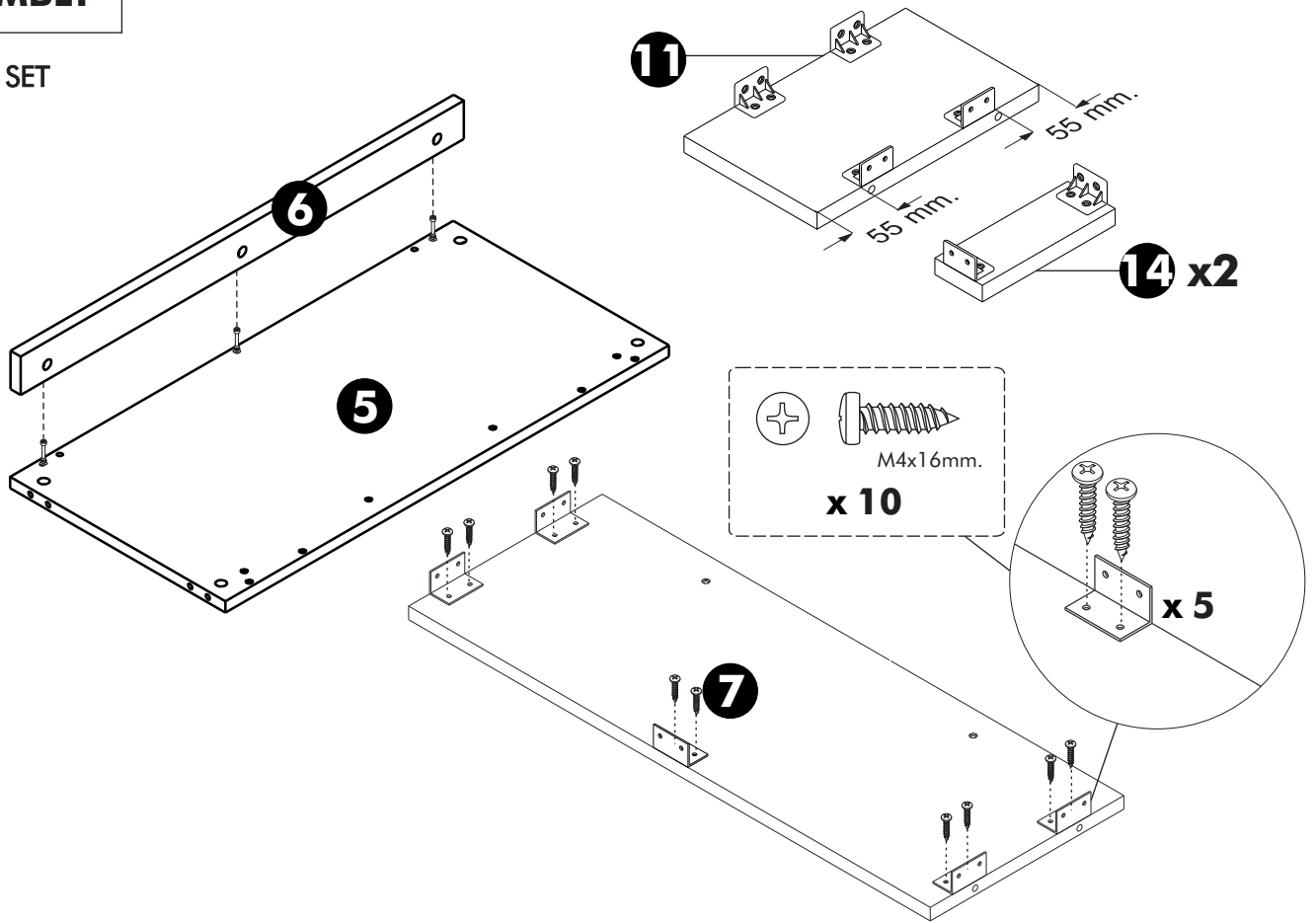


**x 2**

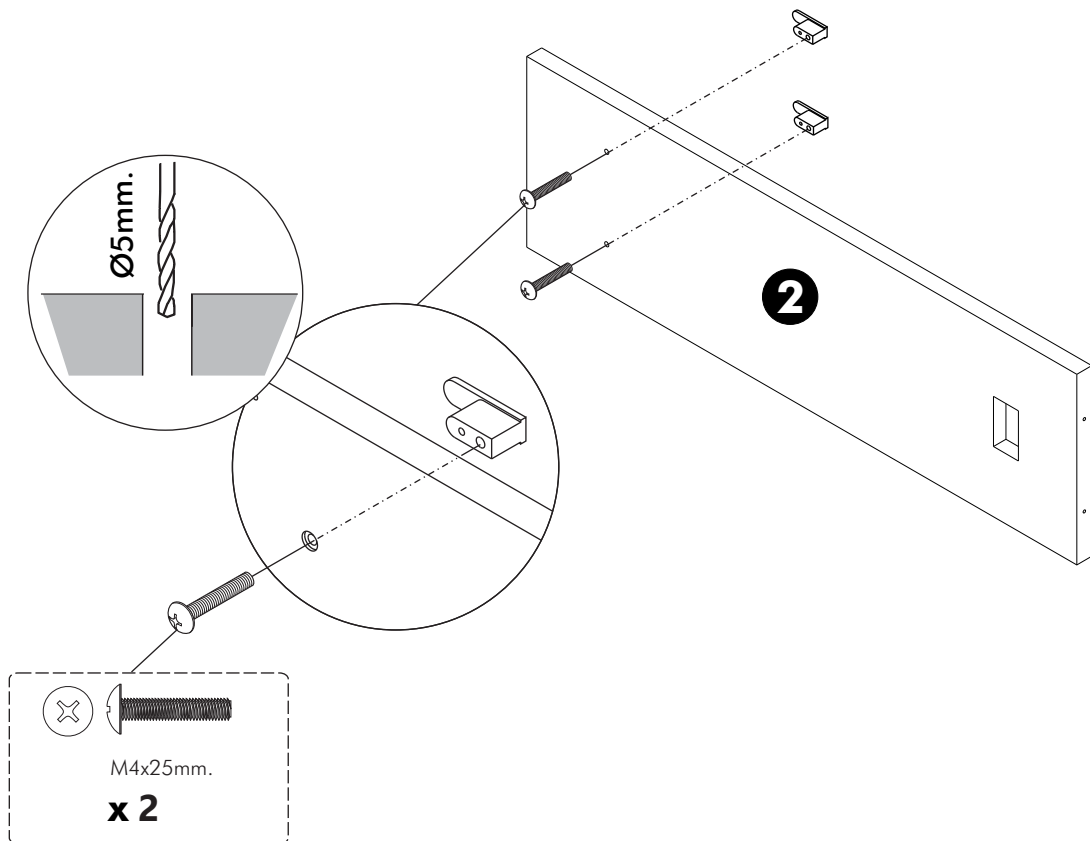
# ASSEMBLY

-BODY SET

**1.**

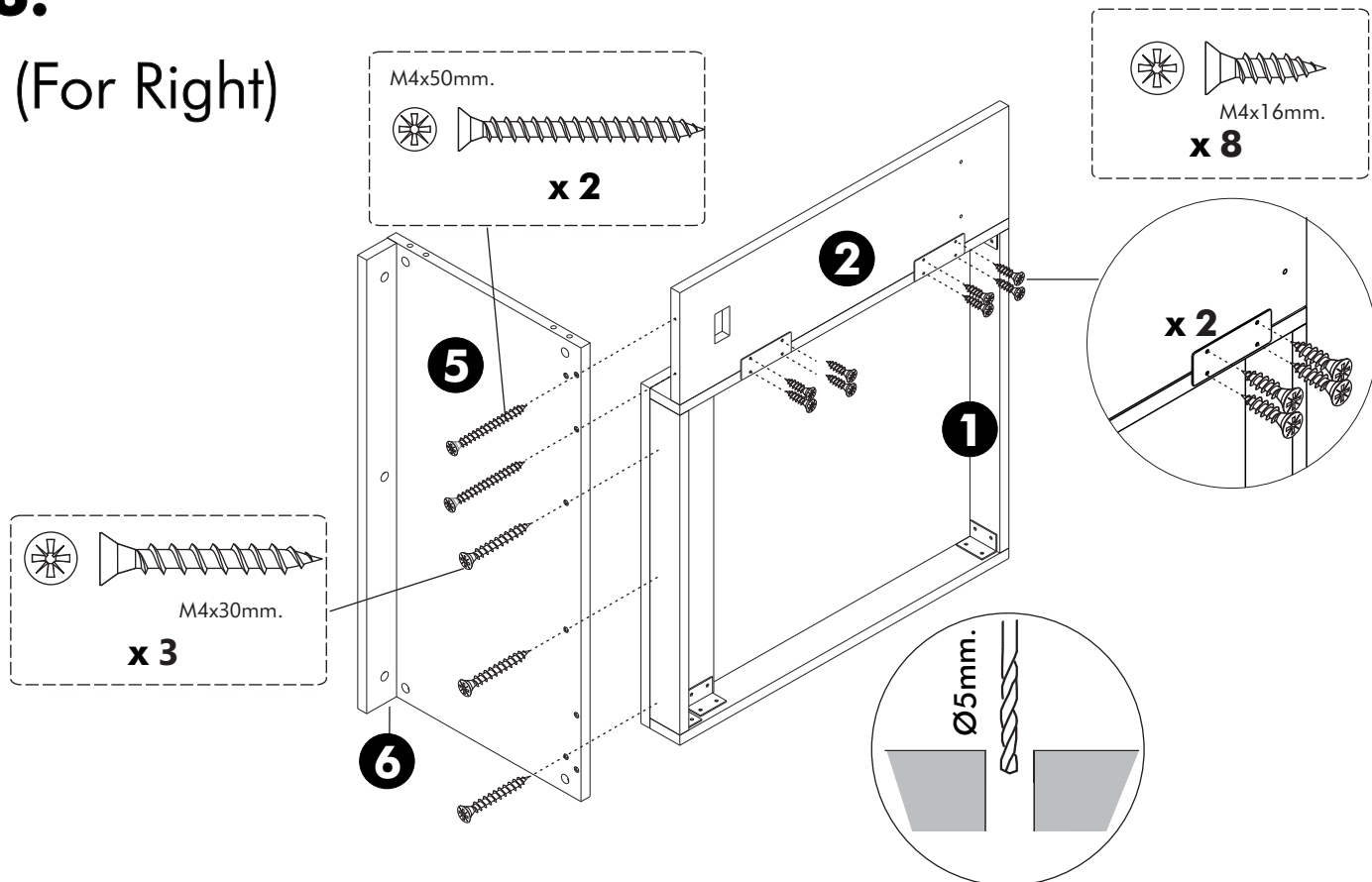


**2.**



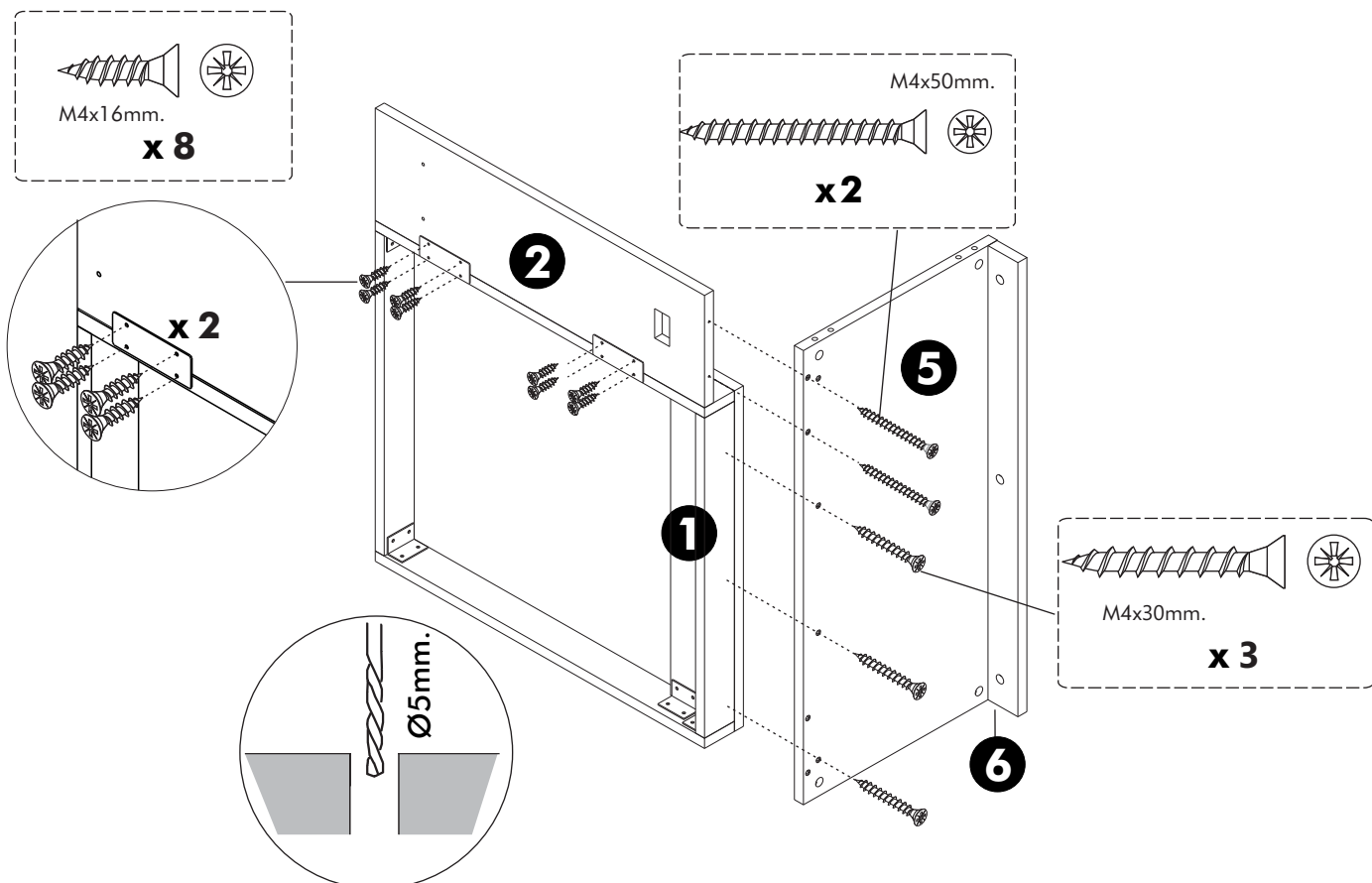
### 3.

(For Right)

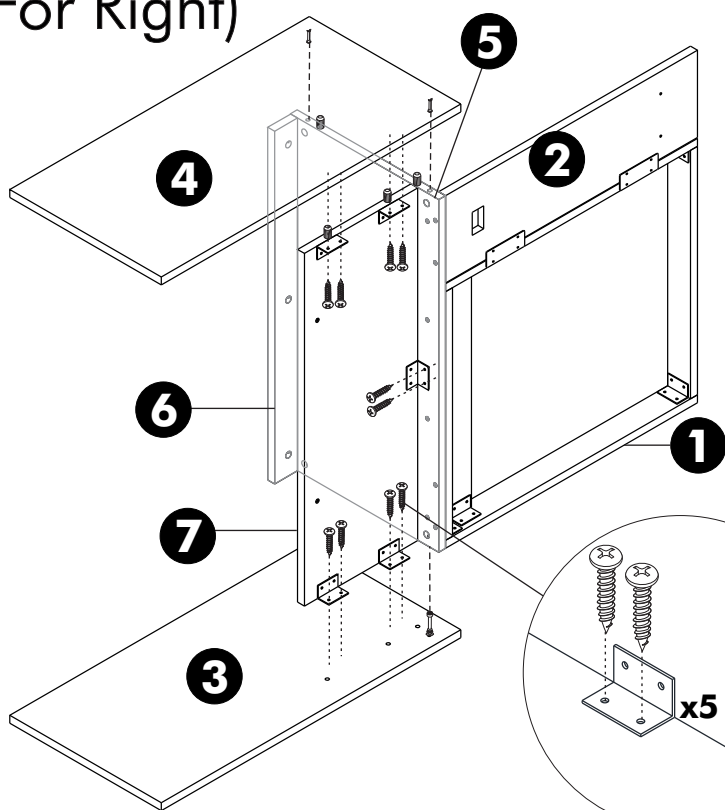


### 4.

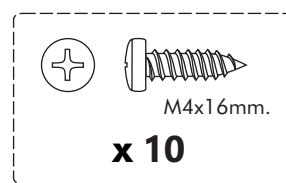
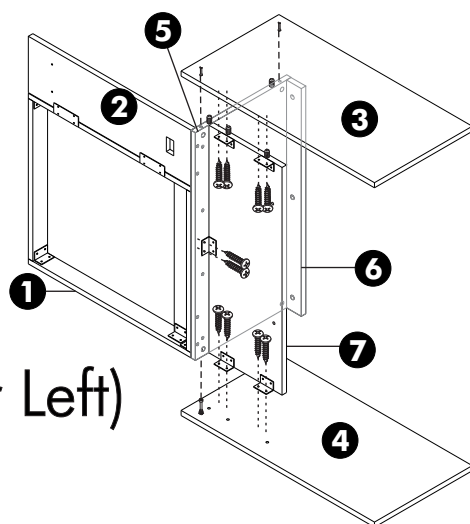
(For Left)



# 5. (For Right)



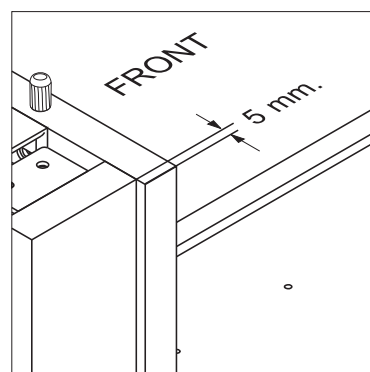
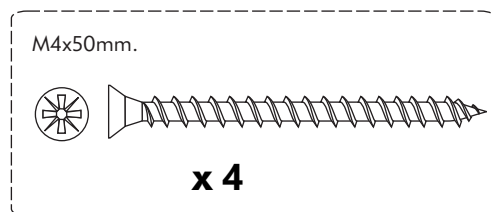
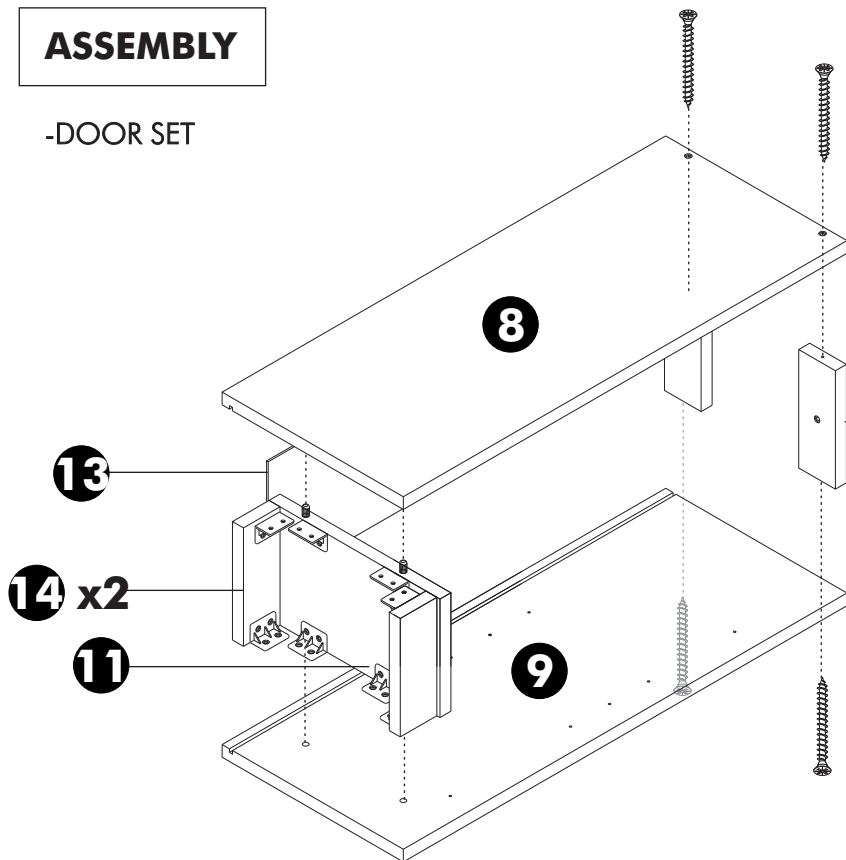
# (For Left)



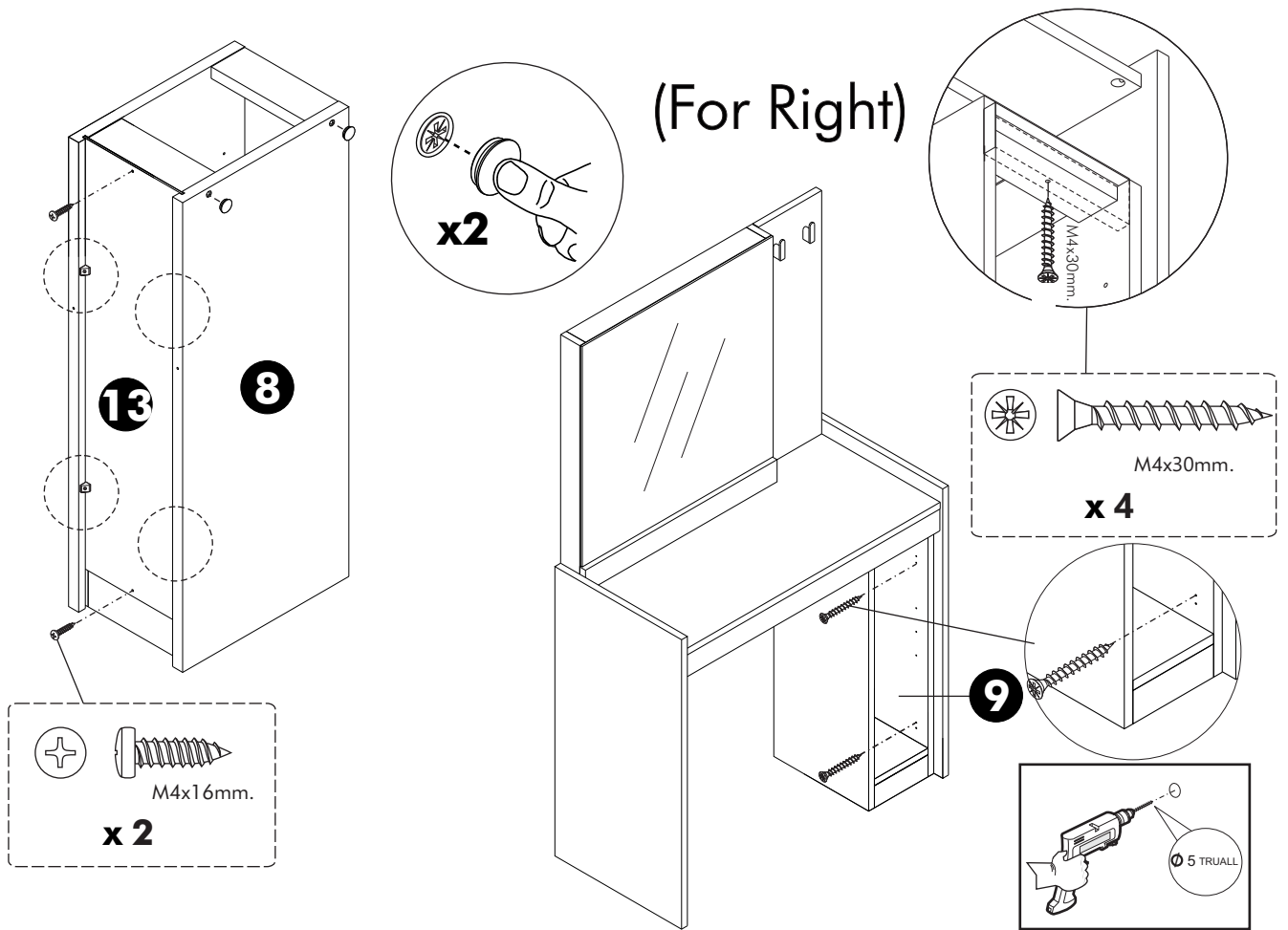
# 6.

## ASSEMBLY

-DOOR SET

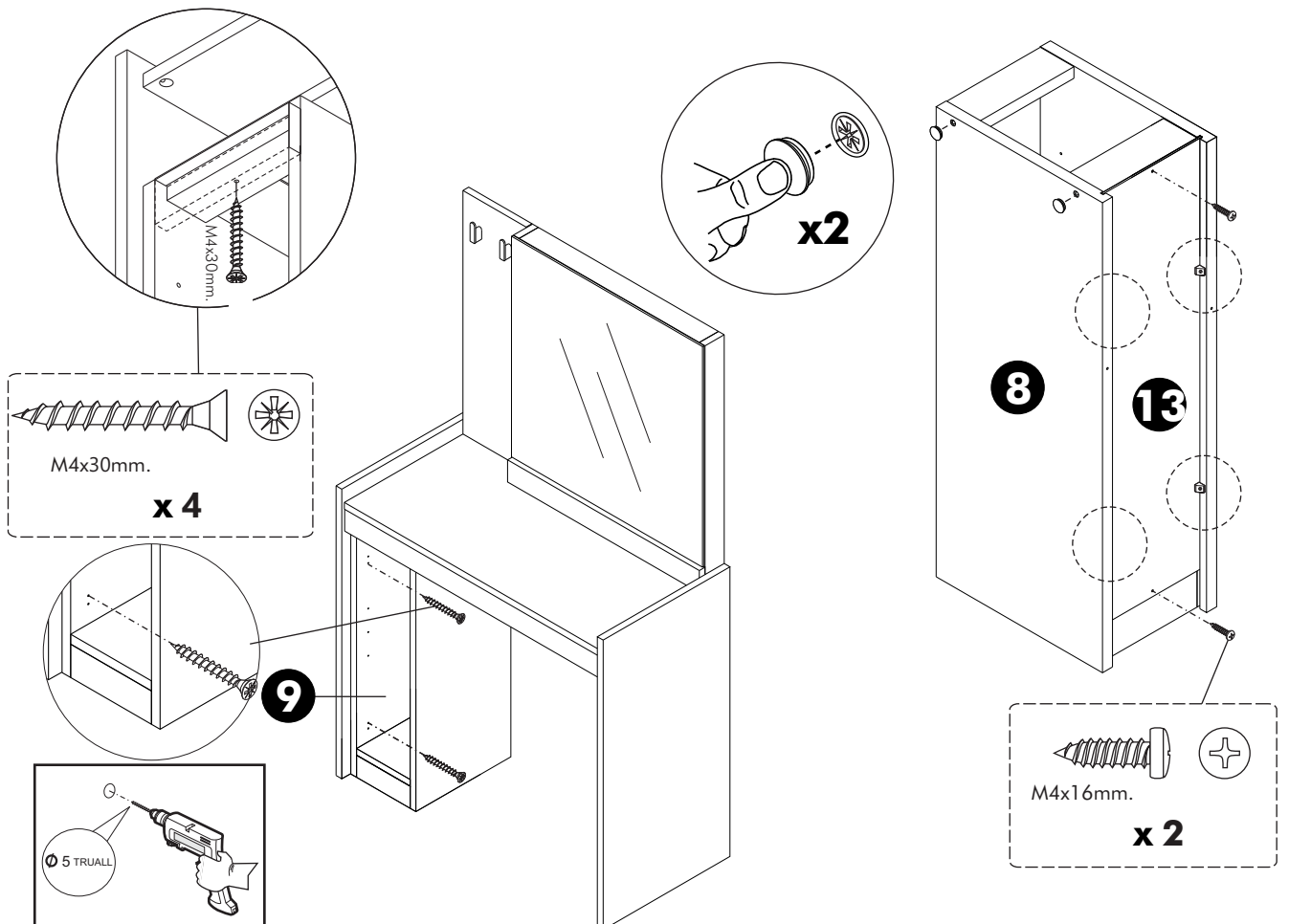


**7.**



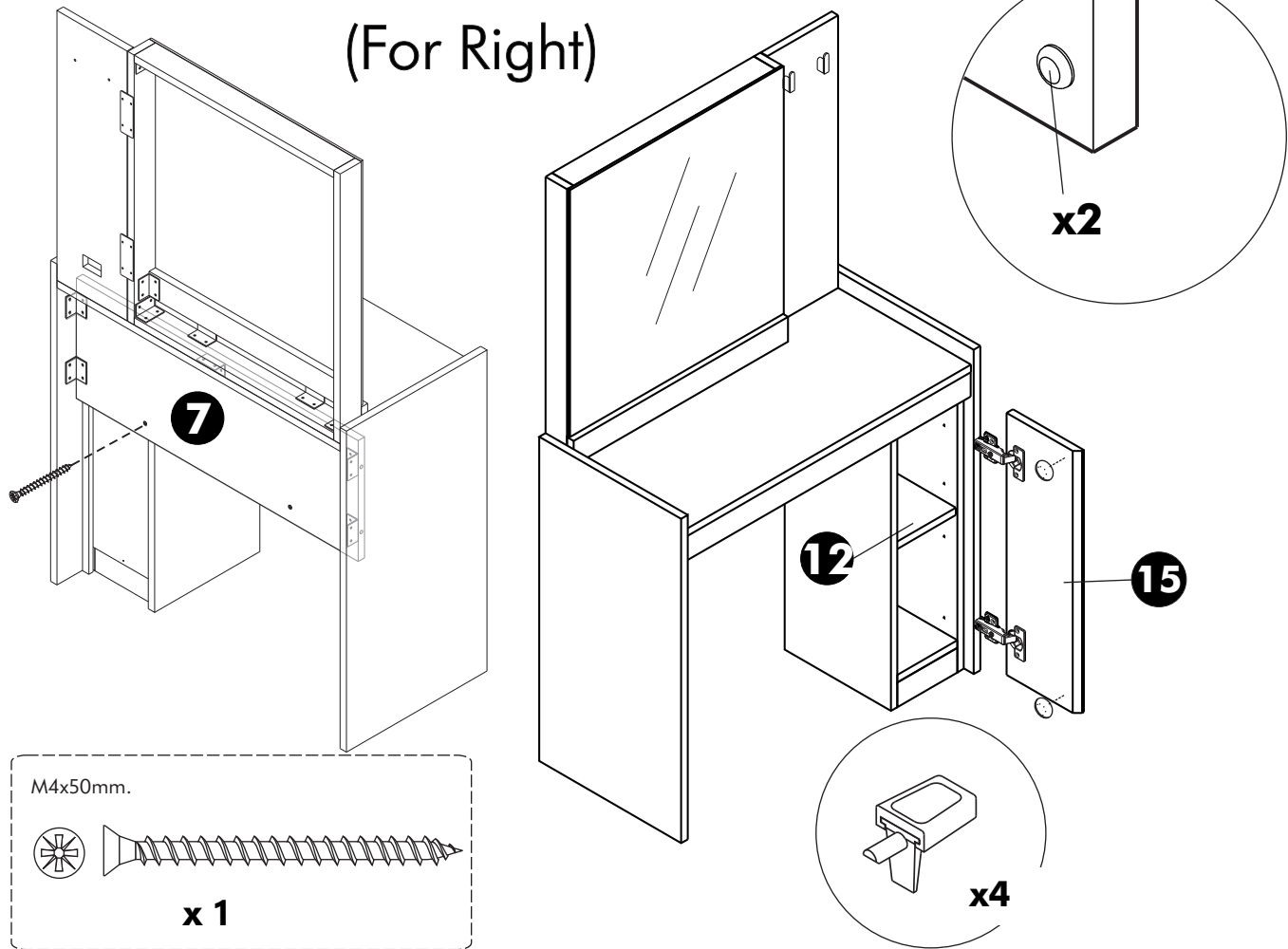
**8.**

(For Left)



9.

(For Right)



10.

(For Left)

