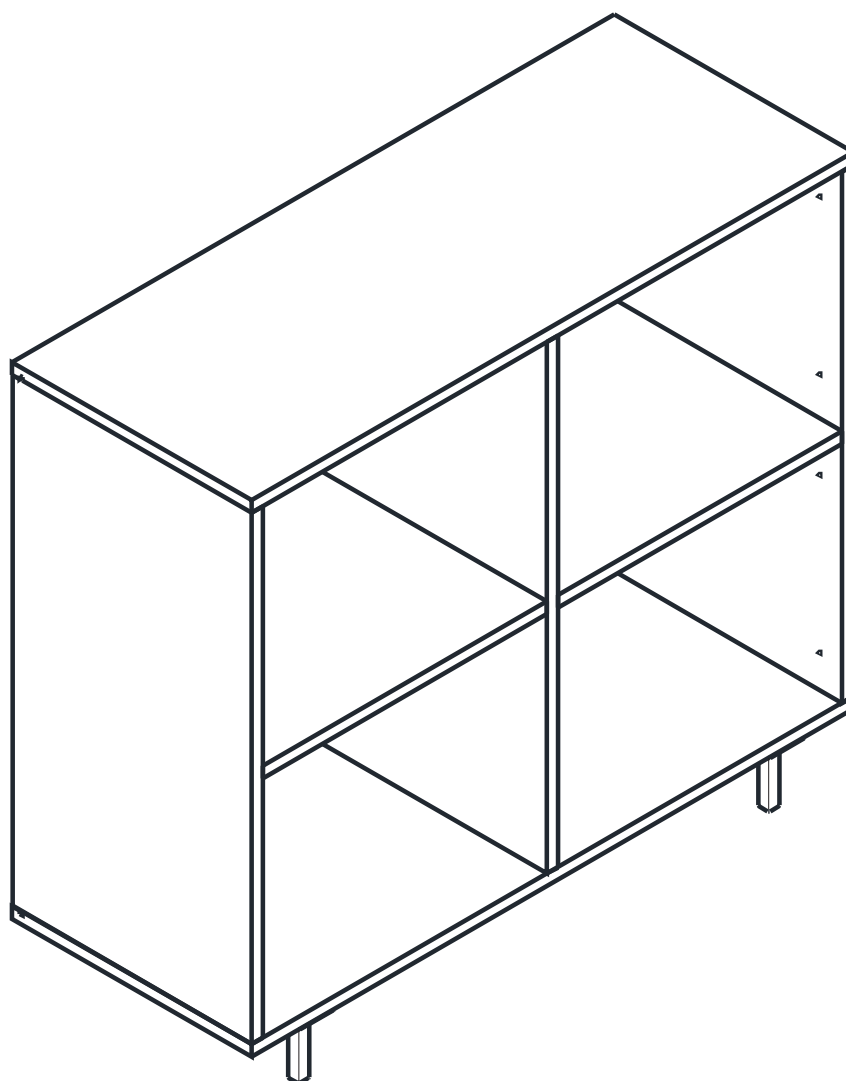


VETRO

Low Cabinet



CONNECT SYSTEM

1

3

2

(Connecting bolts)

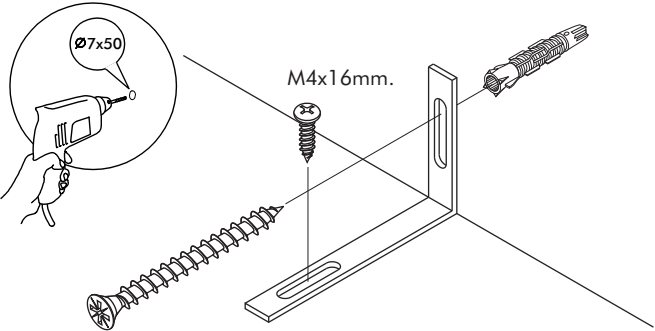
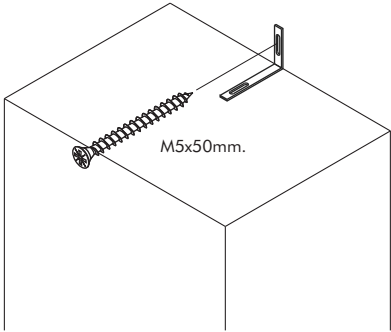
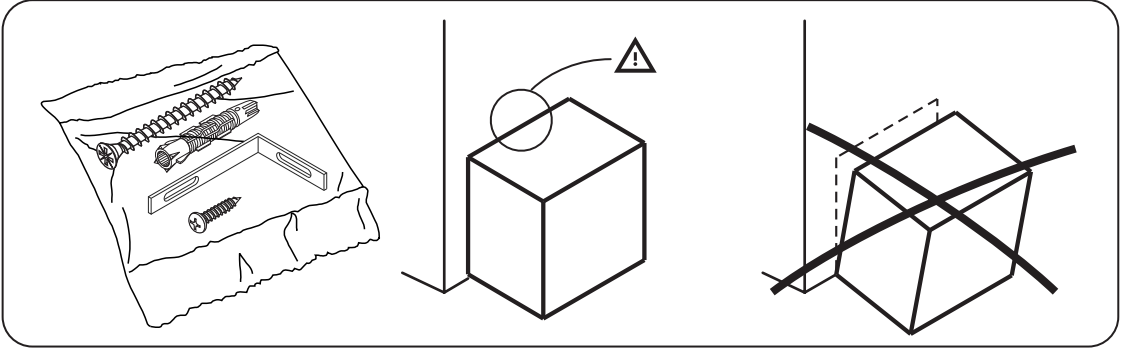
WHEN FITTING CAMS
 ENSURE STARTING POSITION IS CORRECT
 BEFORE YOU INSERT CONNECTING BOLT
 TURN CLOCKWISE UNTIL SECURE

✓				✗
	CORRECT	WRONG		

M3.5x20mm.

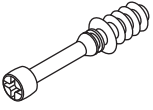
M3.5x20mm.

CONNECT SYSTEM



HARDWARE

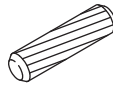
-BODY SET



x14



x14

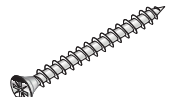


#8x35

x20

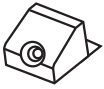


x6

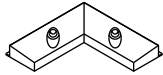


M4x50

x6

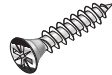


x8



#63x63mm.

x4



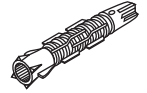
#F+M3.5x20

x16

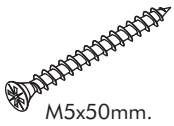


M4x16mm.

x21

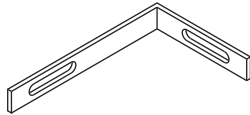


x1

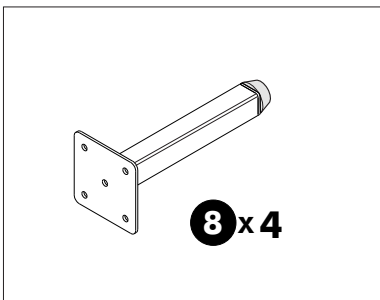


M5x50mm.

x1



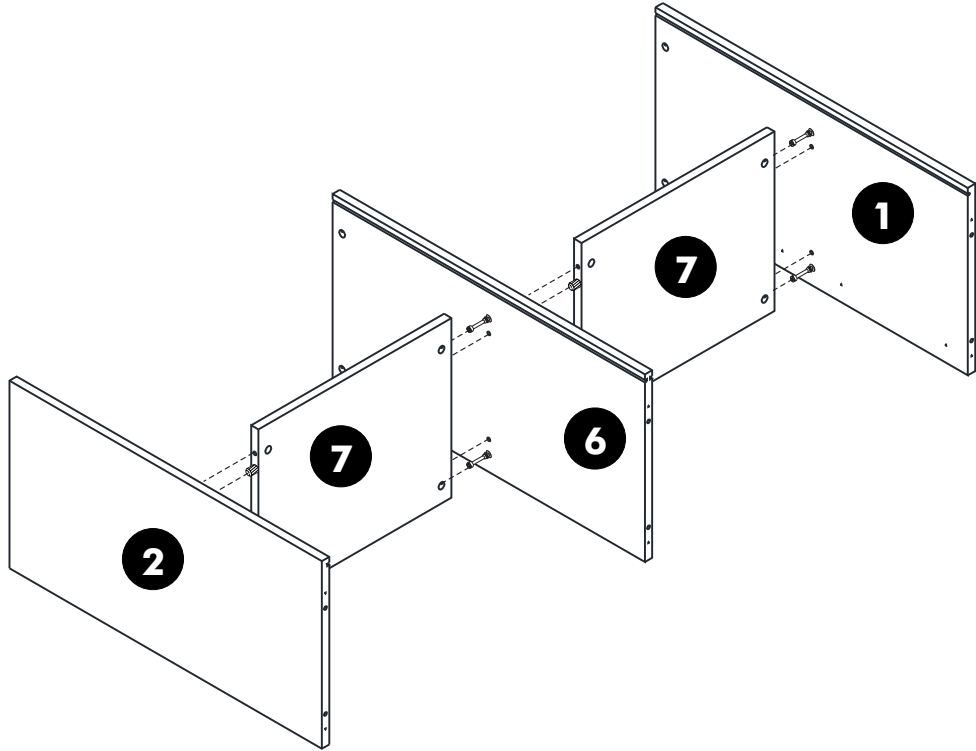
x1



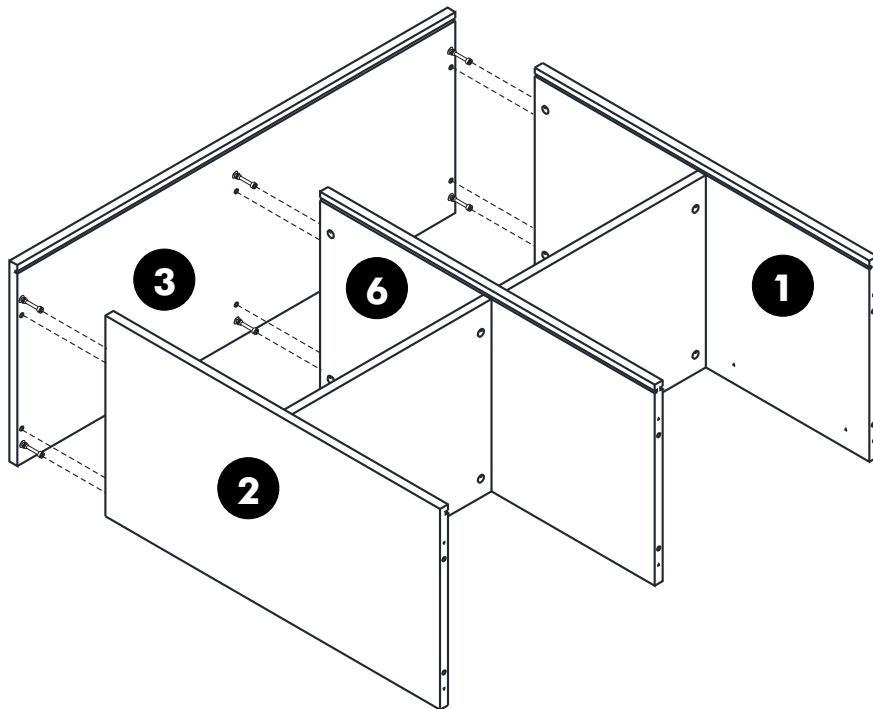
1.

ASSEMBLY

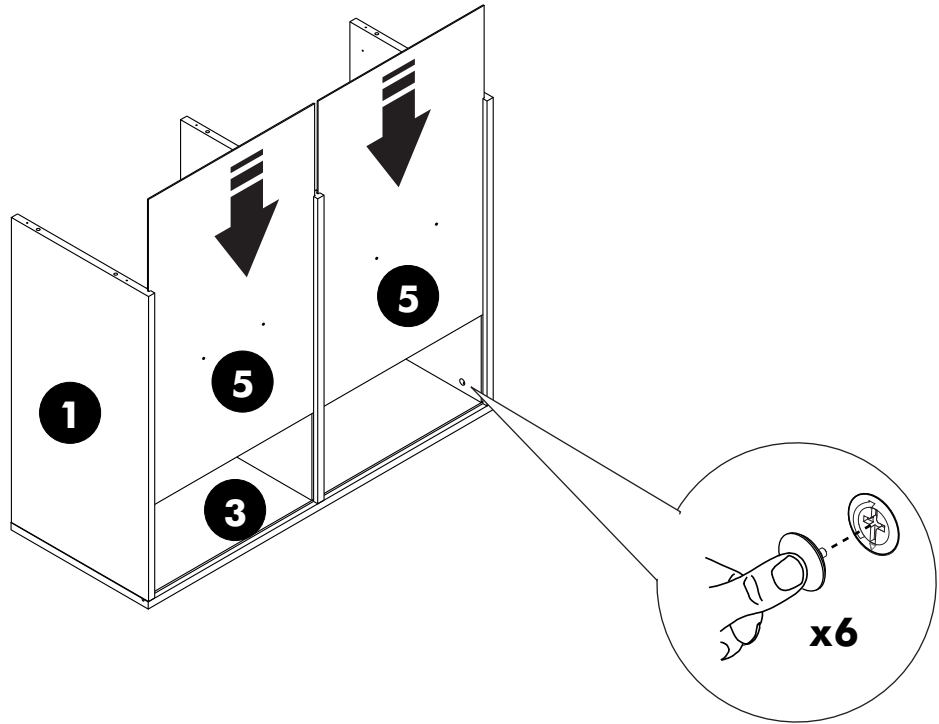
-BODY SET



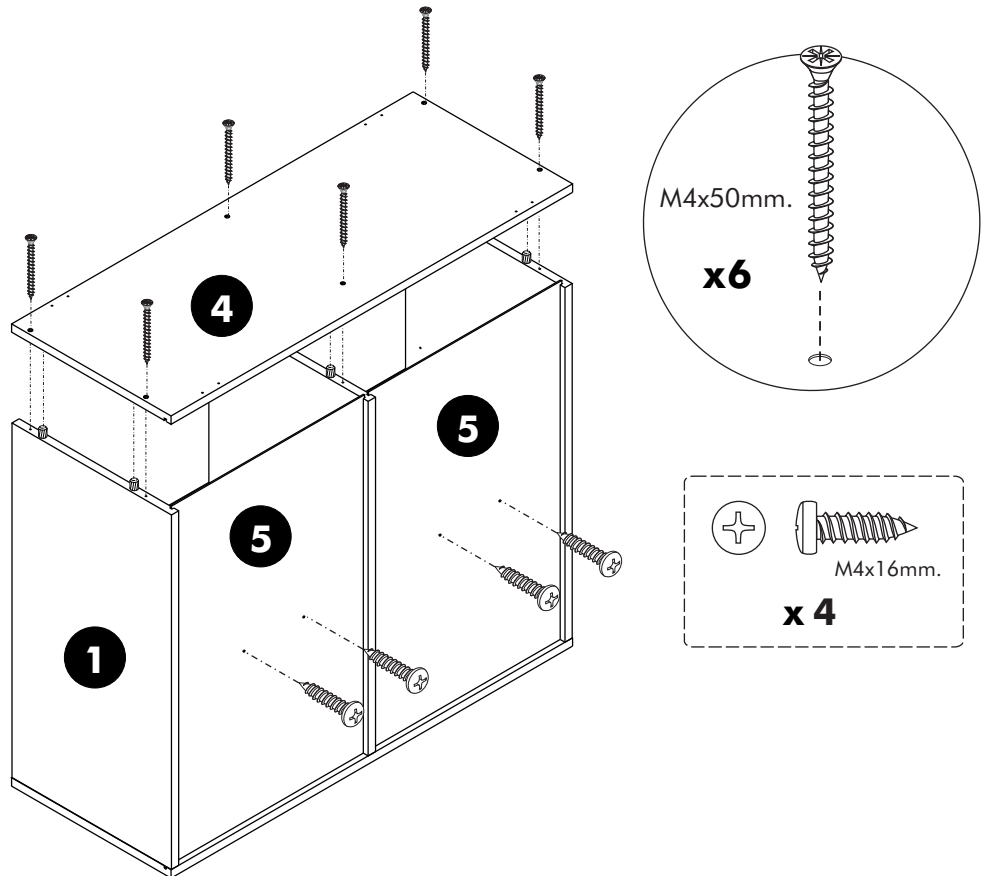
2.



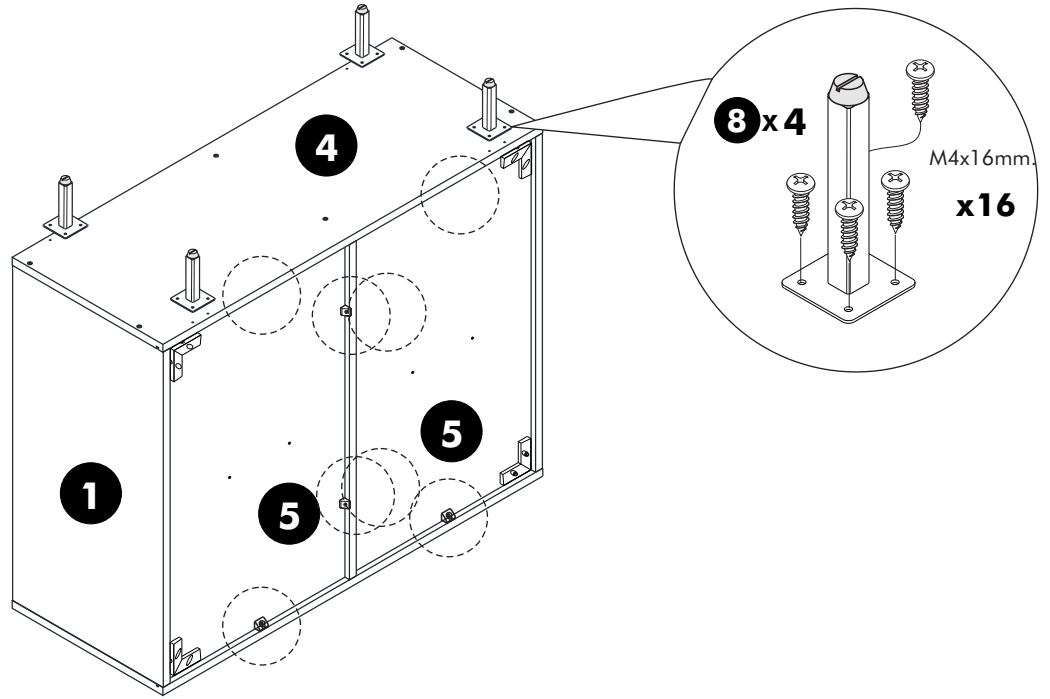
3.



4.



5.



6.

