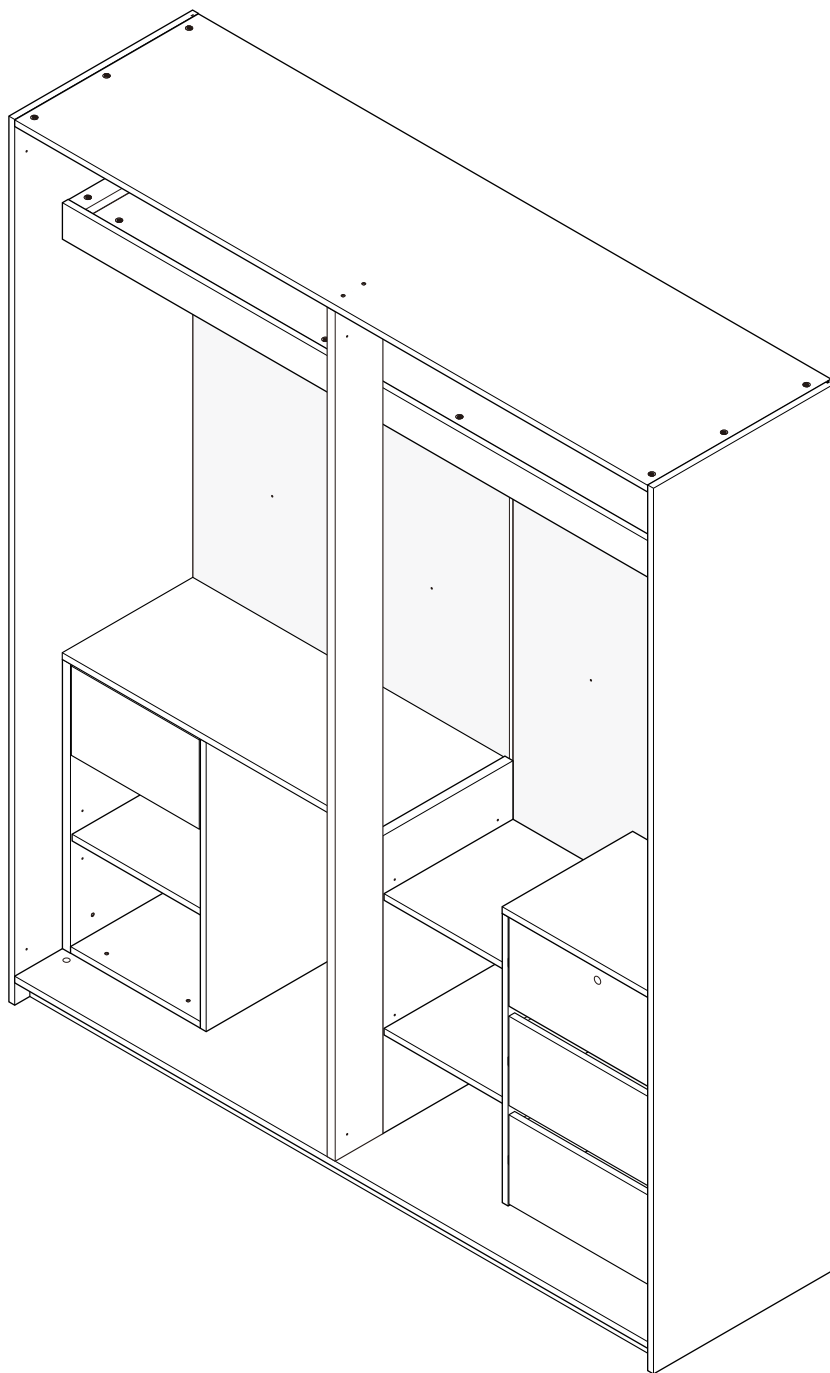
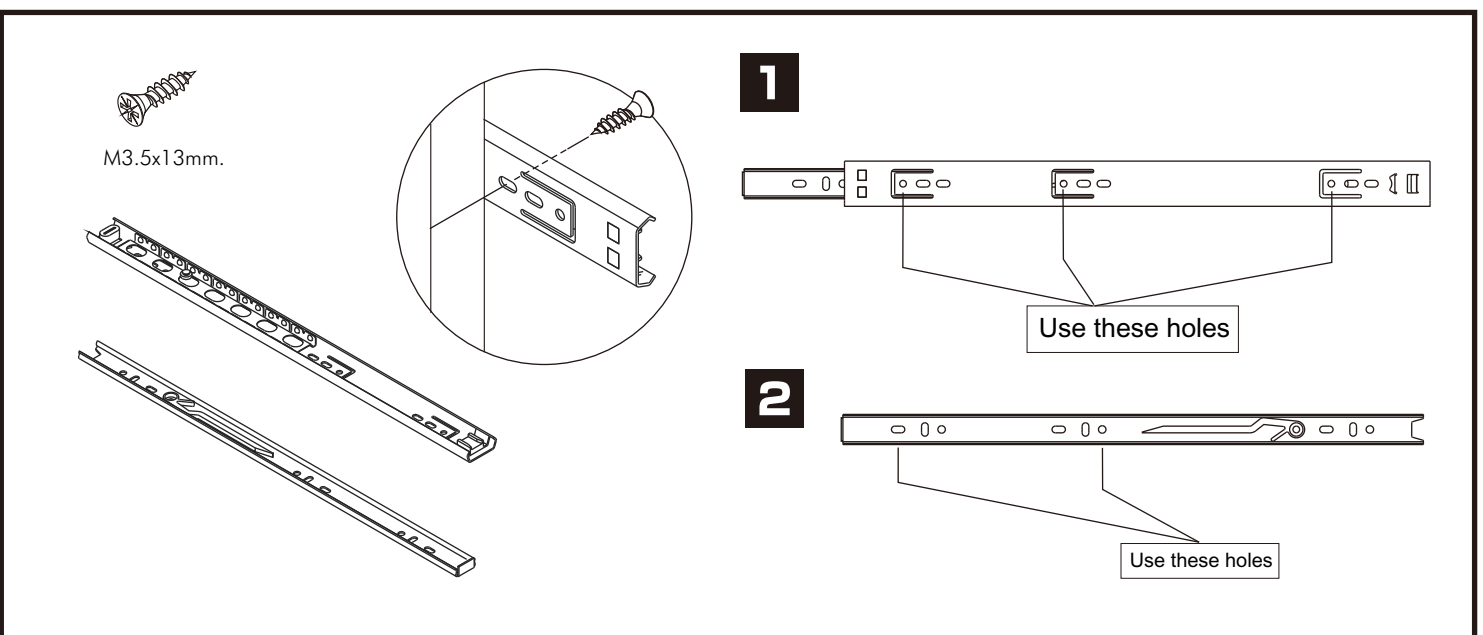
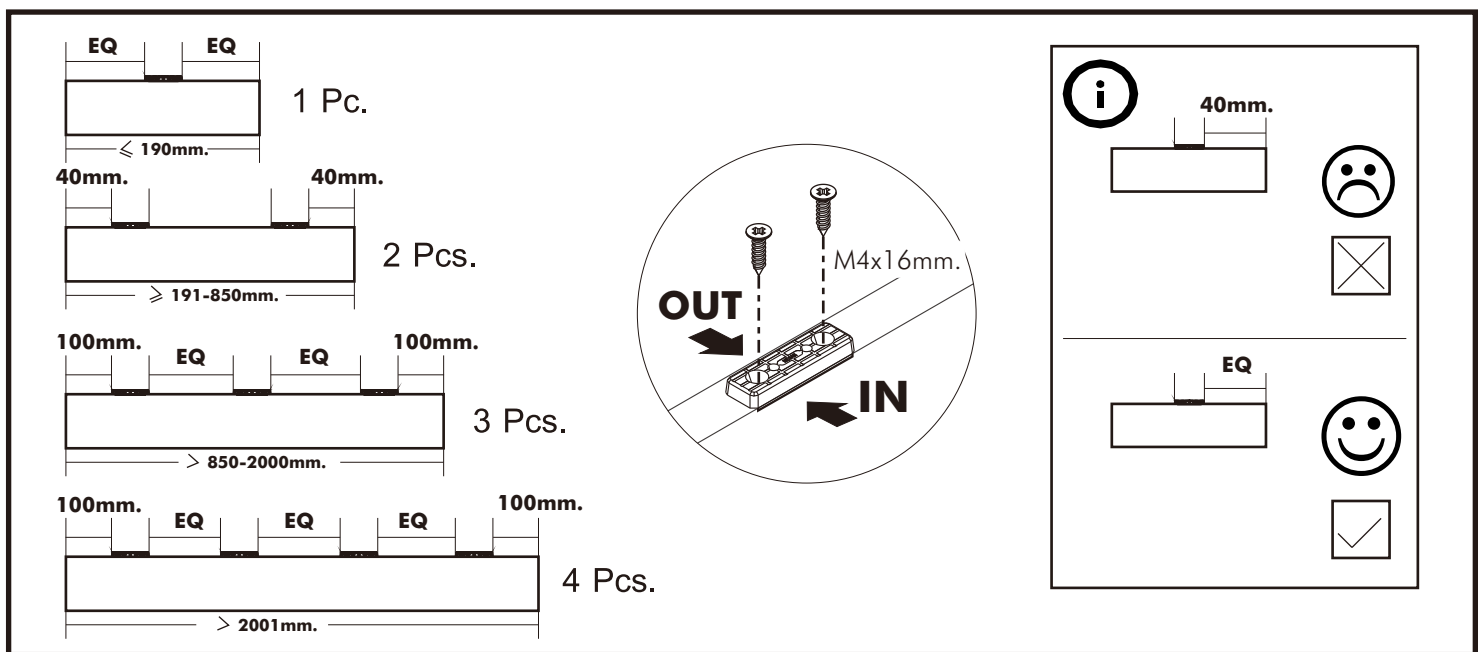
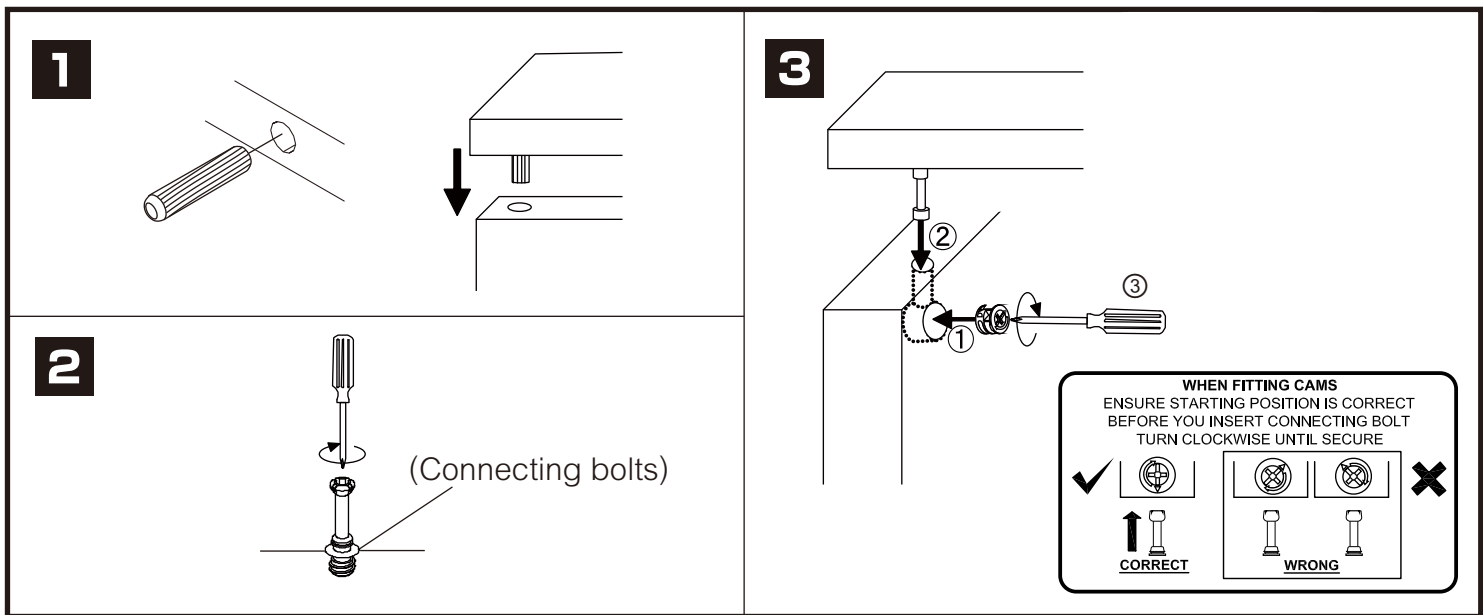


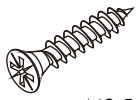
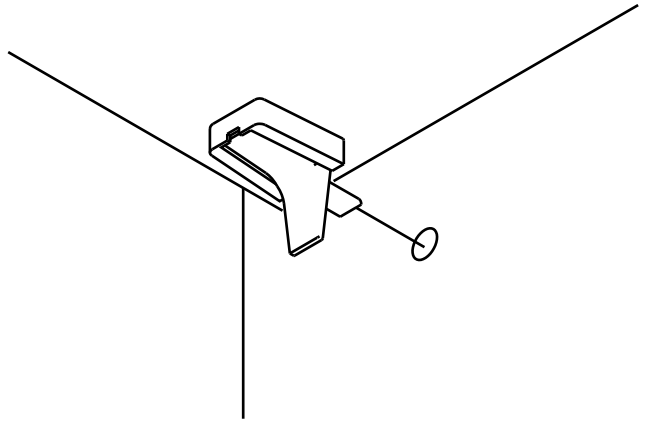
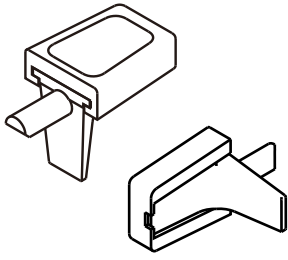
# ITAL-SMART

Wardrobe 4 door W200 cm

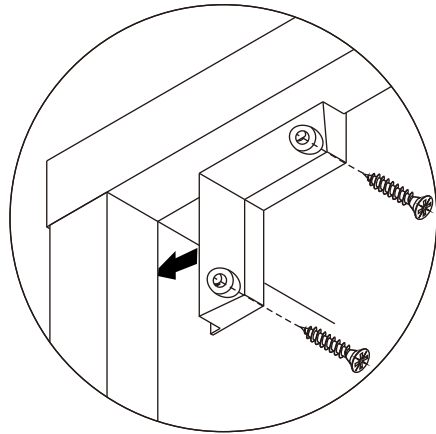
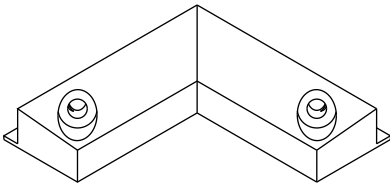


# CONNECT SYSTEM

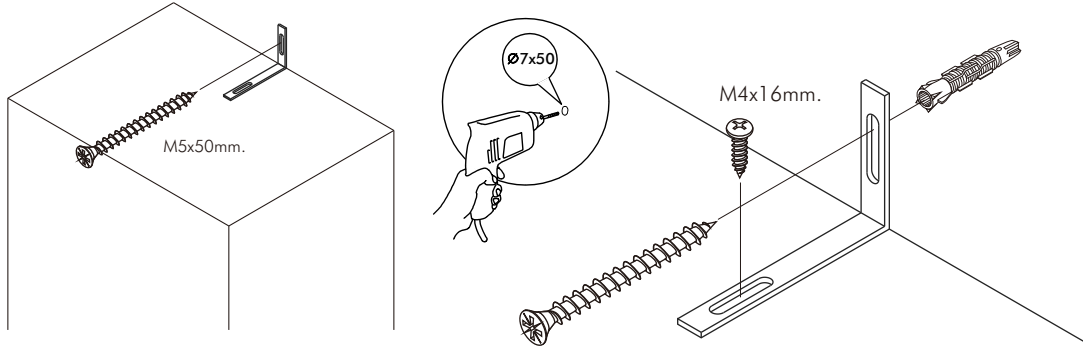




M3.5x20mm.



**x2**



**The Standard for identifying which mounted safety fall protection fitting to use** **Note : That children's products must be installed with all anti-falling fittings.**

■ Mounted fall protection fittings



■ Category : Cabinet with open doors

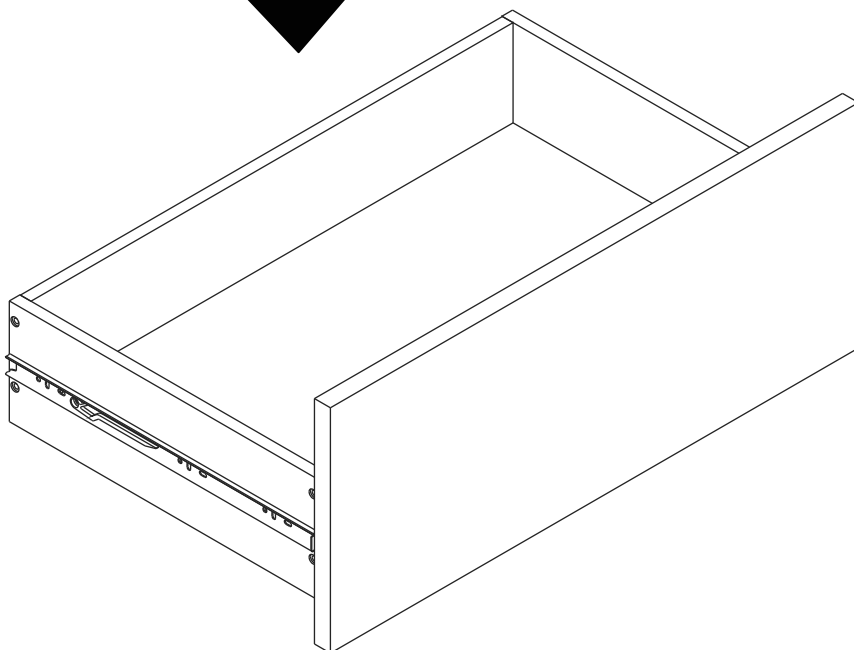
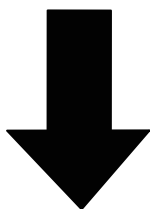
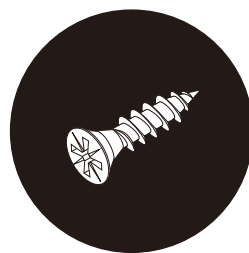
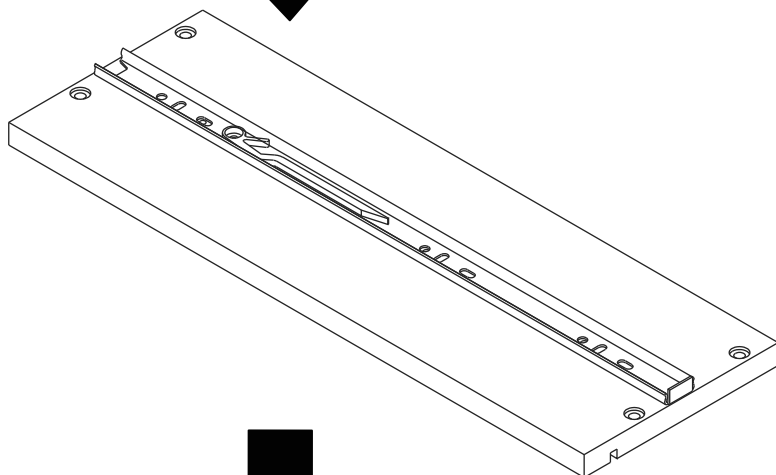
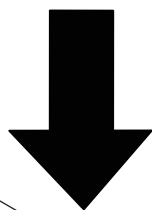
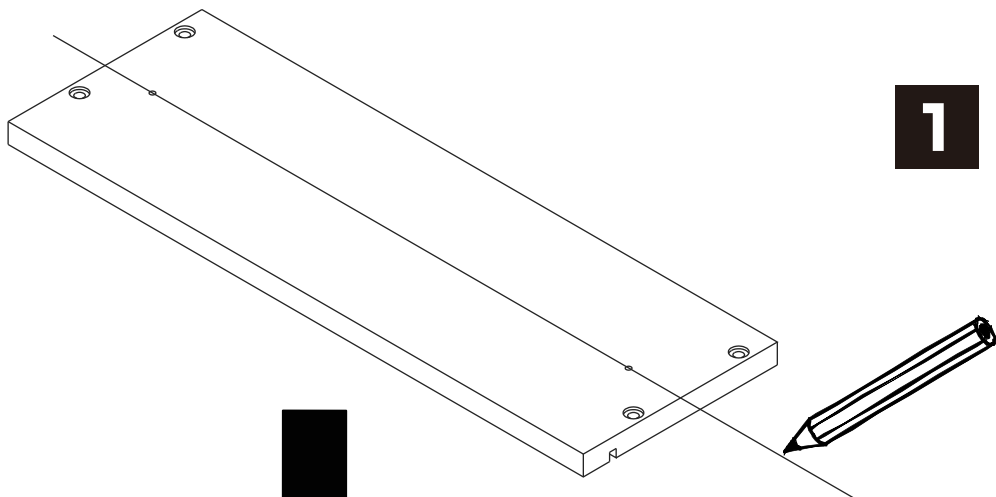


■ Category : Chest of drawers



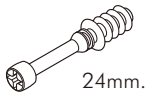
■ Category : Sliding door cabinet / Open cabinet





# HARDWARE

## -BODY SET

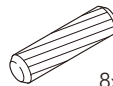


24mm.

**x 29**



**x 29**



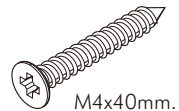
8x35

**x 34**



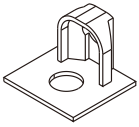
M3.5x13mm.

**x 8**

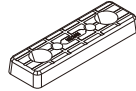


M4x40mm.

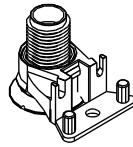
**x 1**



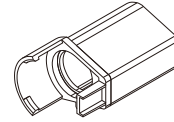
**x 2**



**x 14**



**x 6**

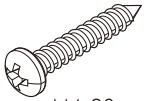


**x 6**



M4x50mm.

**x 8**



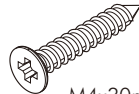
M4x30mm.

**x 6**



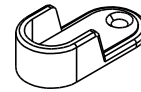
M4x16mm.

**x 144**

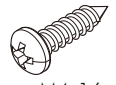


M4x30mm.

**x 6**

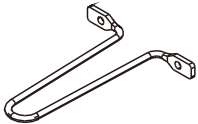


**x 4**

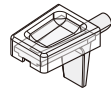


M4x16mm.

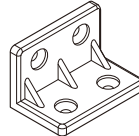
**x 41**



**x 1**



**x 12**

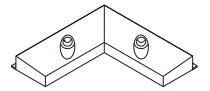


**x 27**



M3.5x20mm.

**x 4**

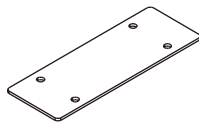


**x 2**

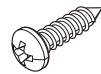


Ø11mm.

**x 6**



**x 2**



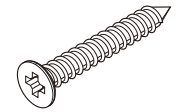
M4x13mm.

**x 12**



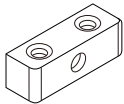
Ø 5x18 mm.

**x 7**



M4x35mm.

**x 8**

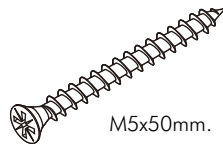


**x 2**



M4x25mm.

**x 6**

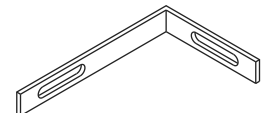


M5x50mm.

**x 2**

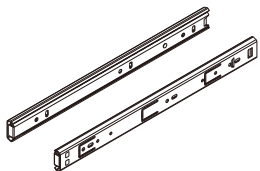


**x 2**



**x 2**

## -DRAWER SET



**x 4 set**



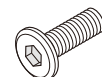
M3.5x13mm.

**x 48**



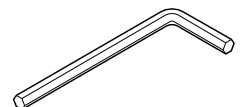
M4x40mm.

**x 40**

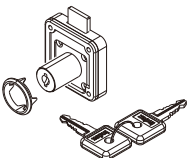


M6x23mm.

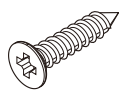
**x 14**



**x 1**

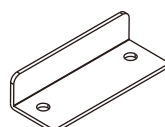


**x 1 set**



M3.5x20mm.

**x 4**



**x 1**



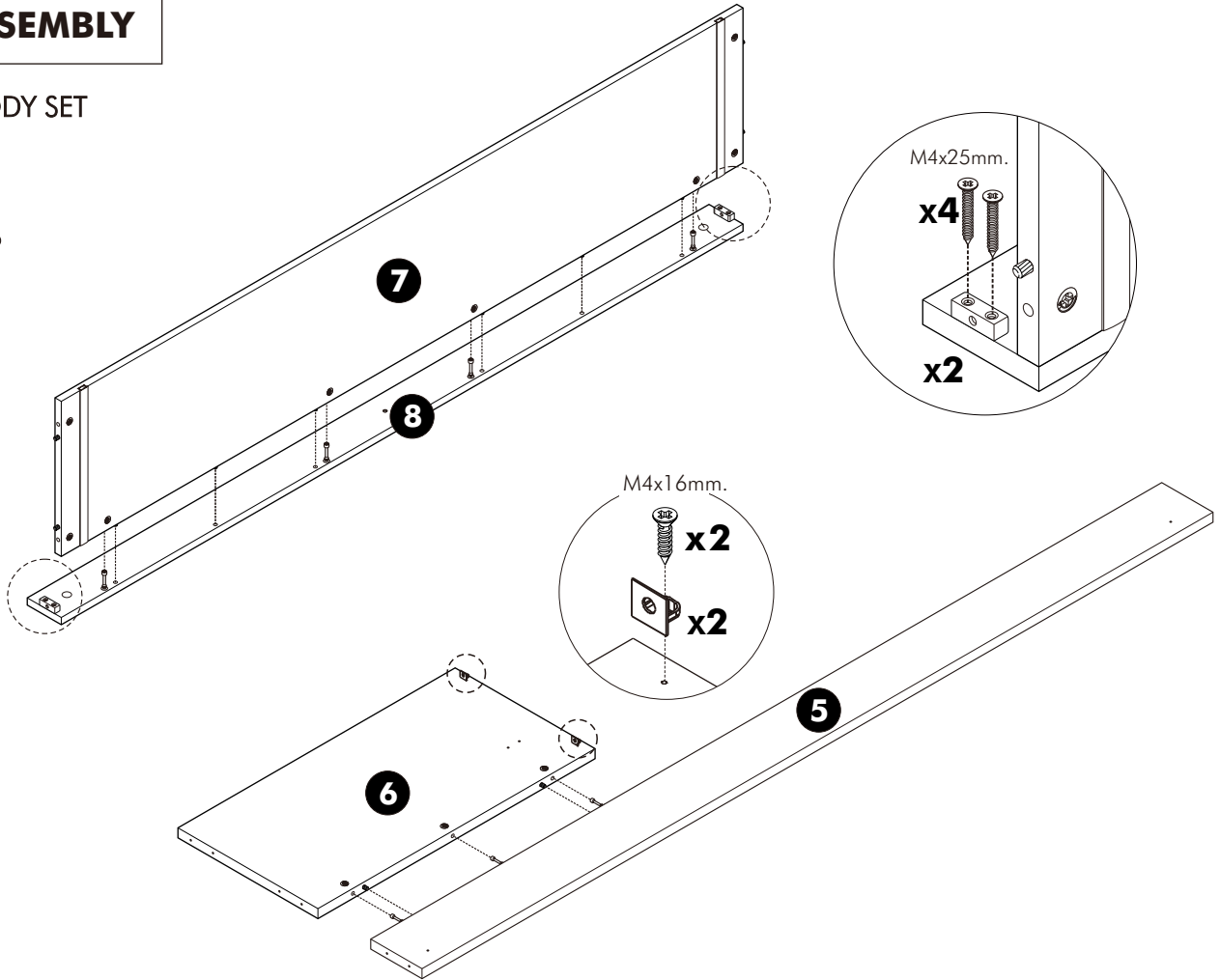
4x1/2"

**x 2**

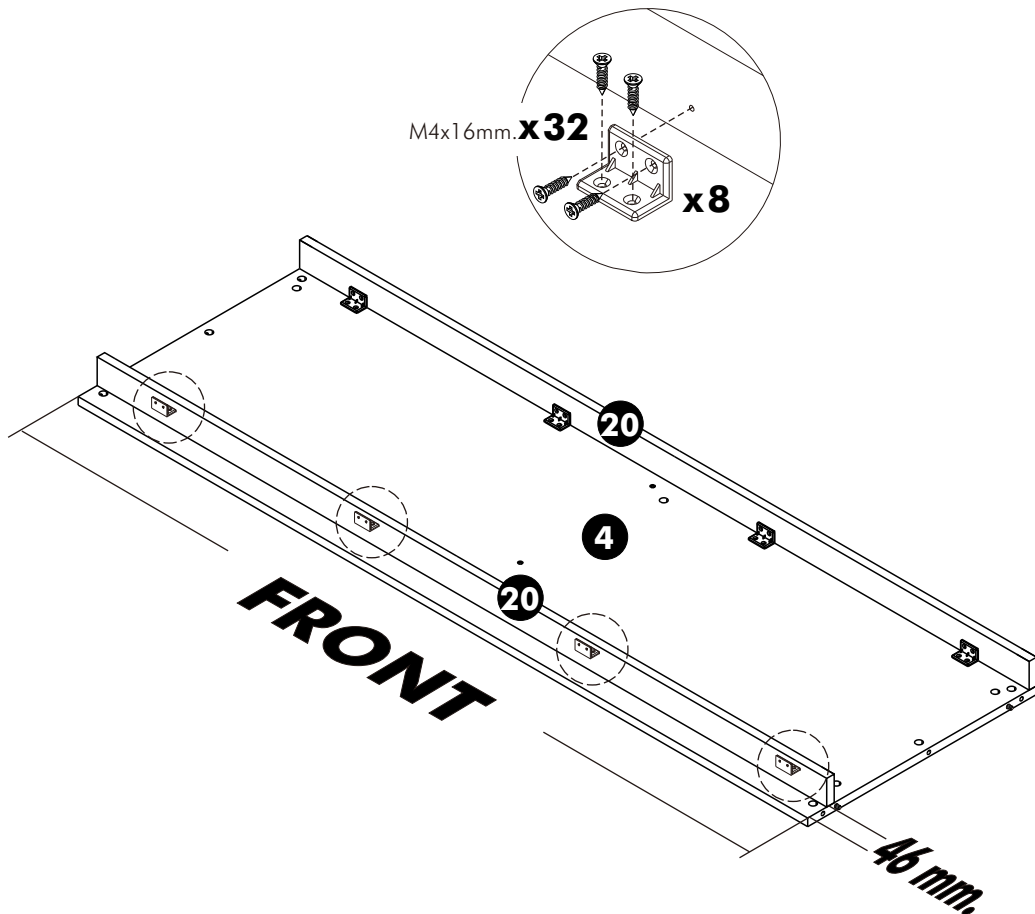
# ASSEMBLY

-BODY SET

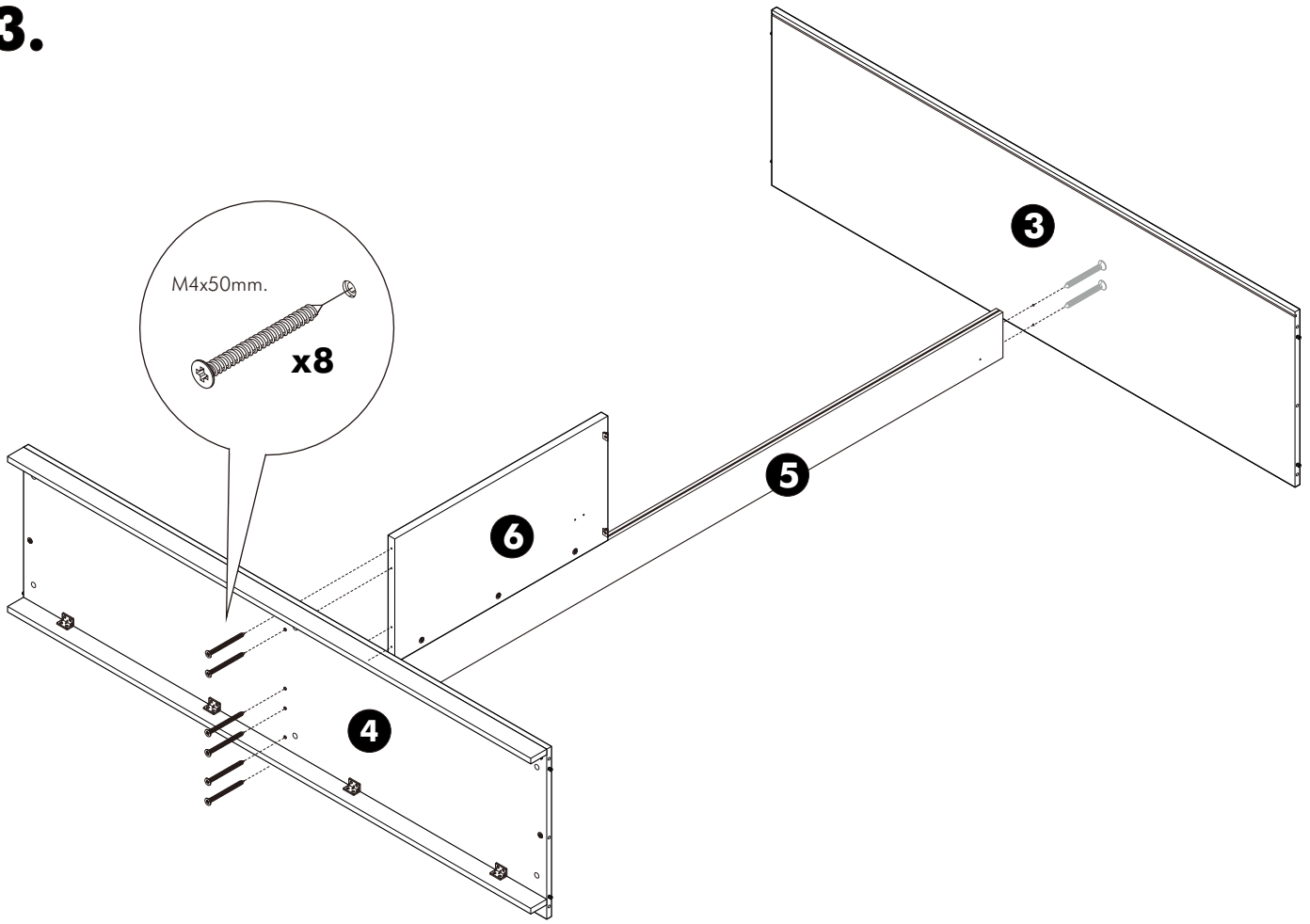
## 1.



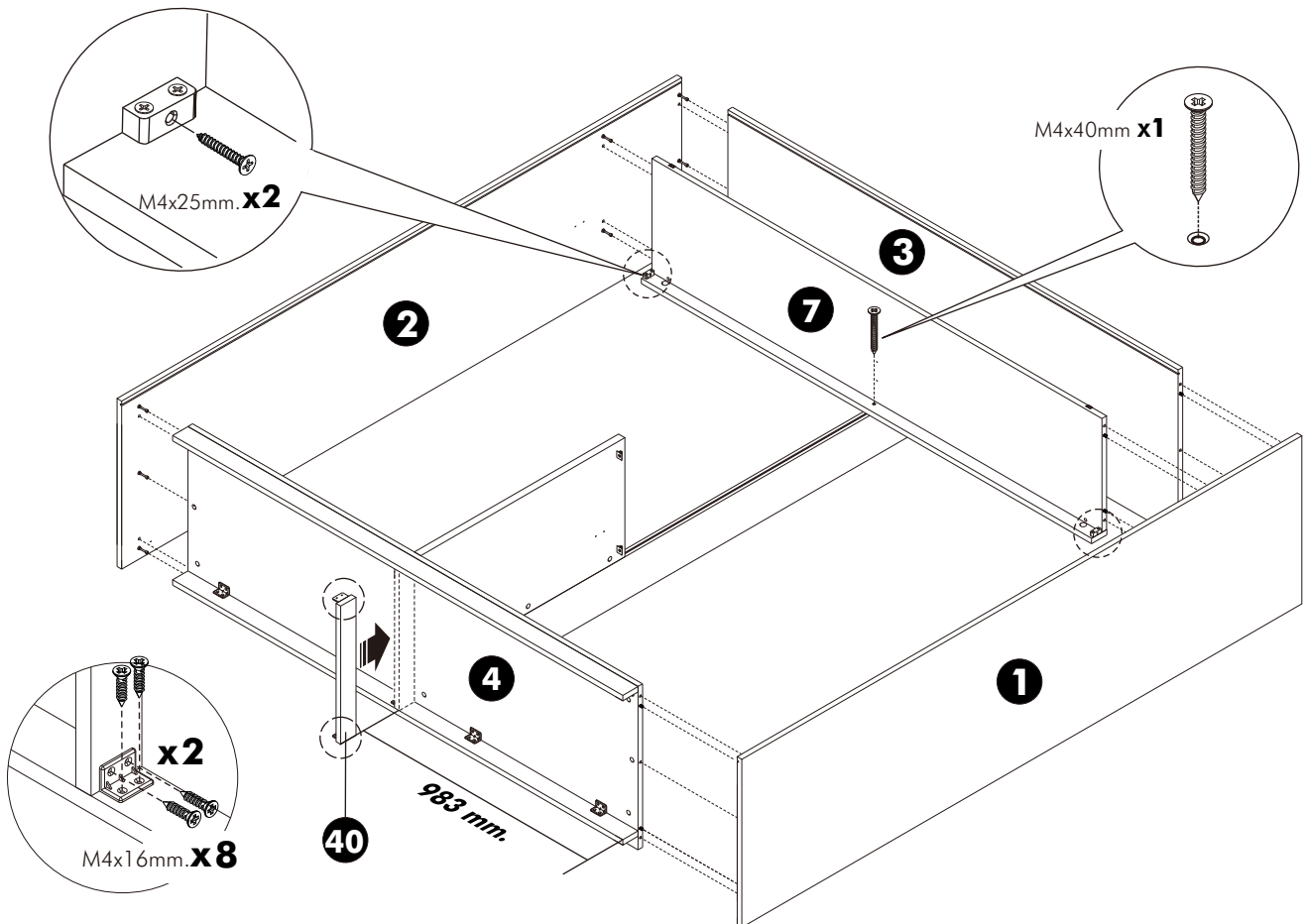
## 2.

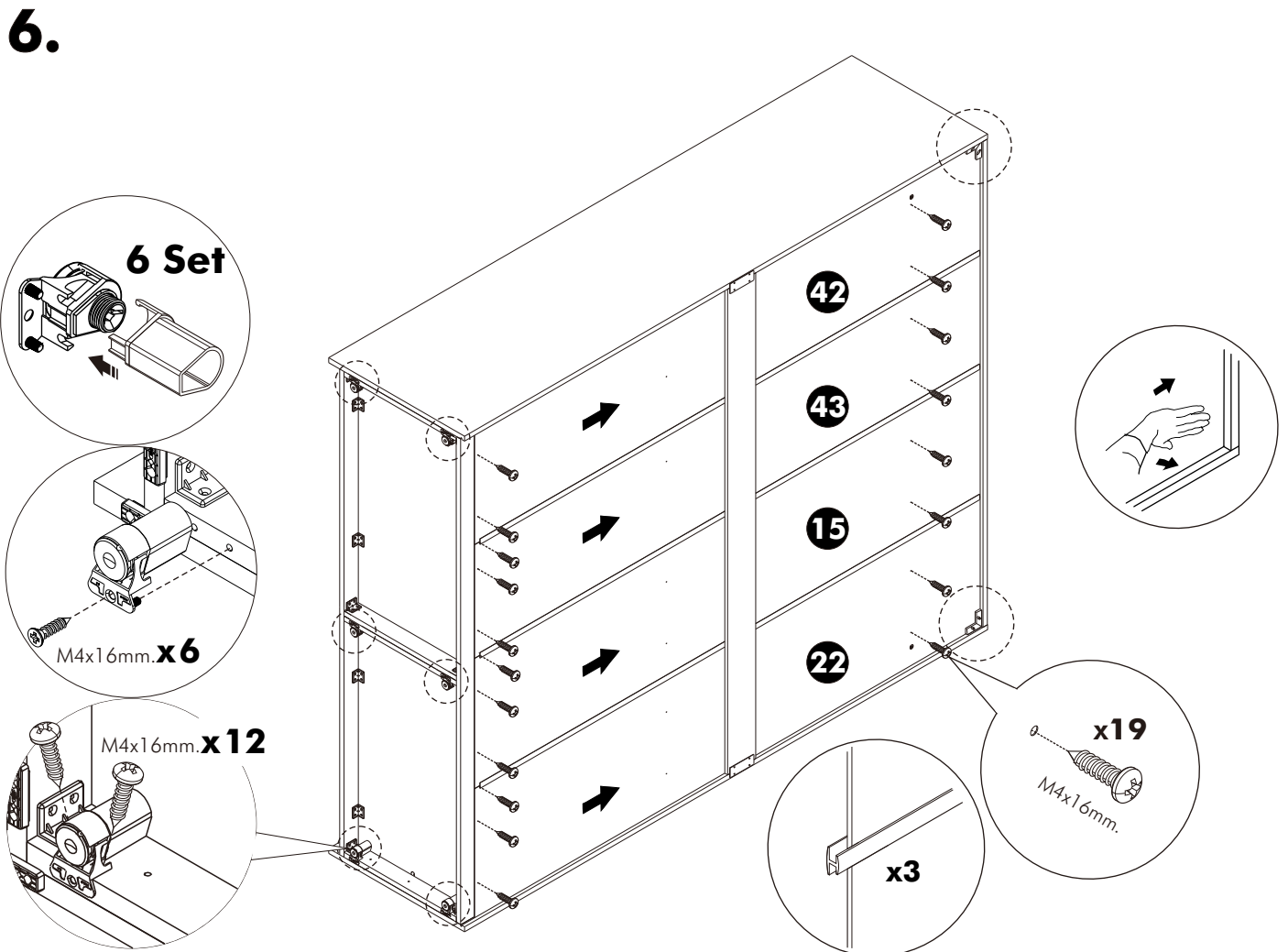
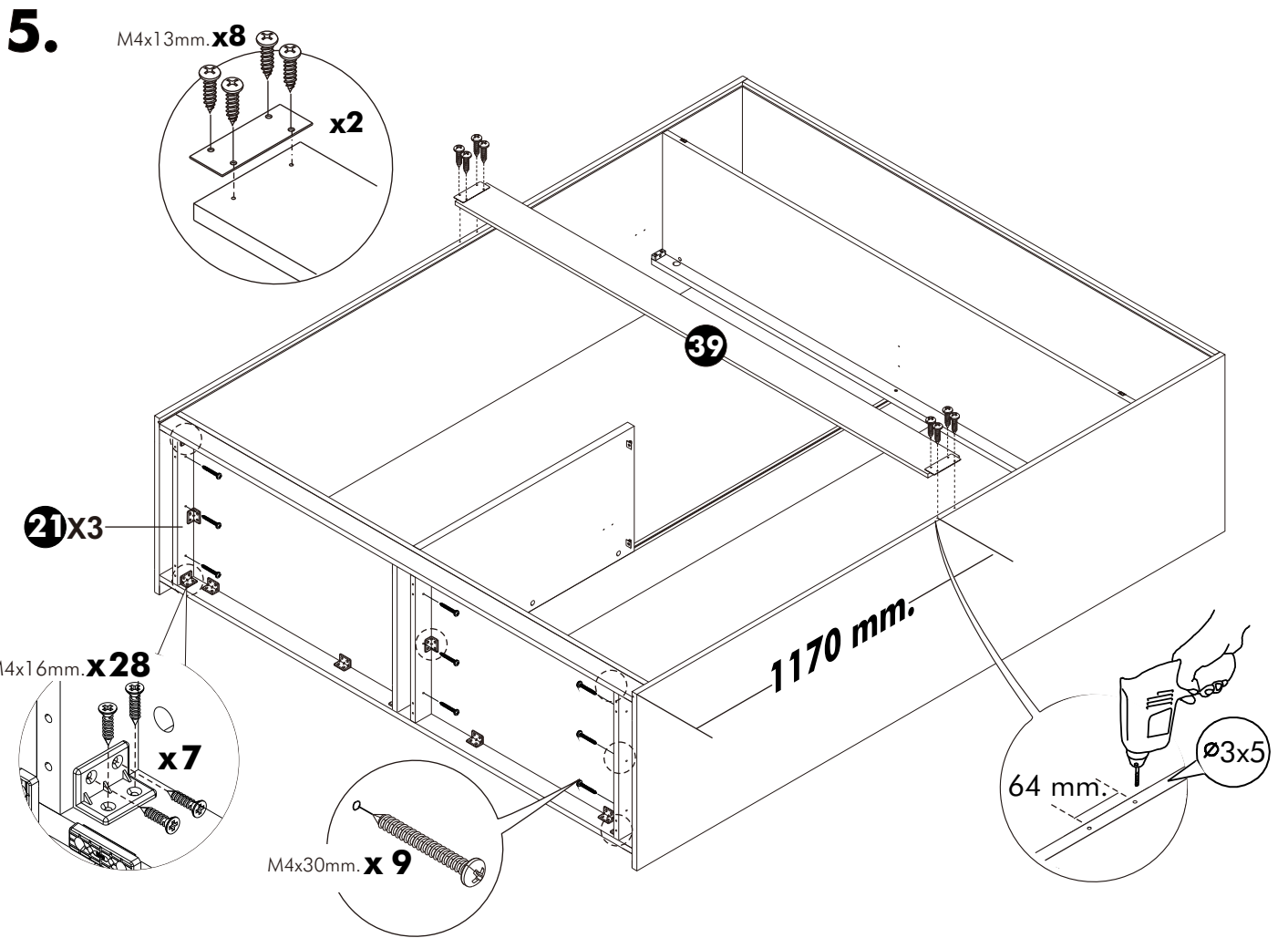


**3.**

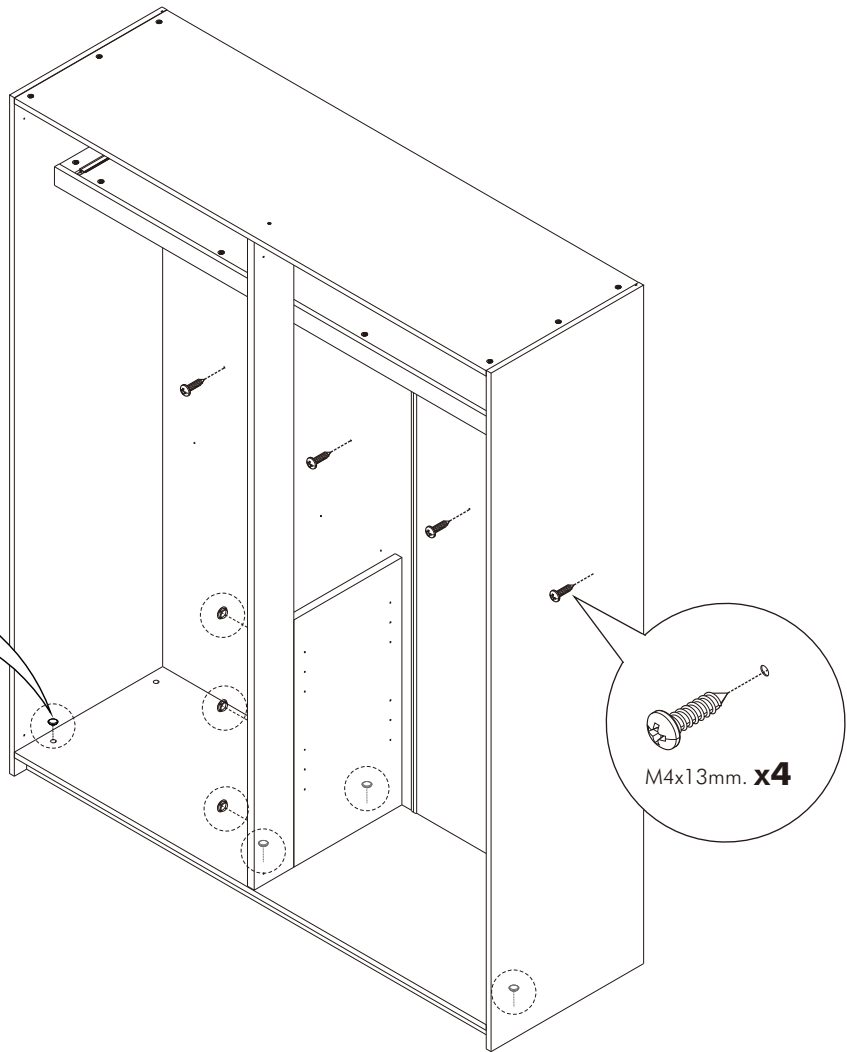
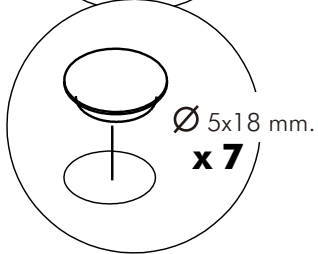
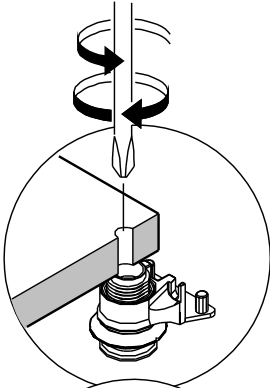
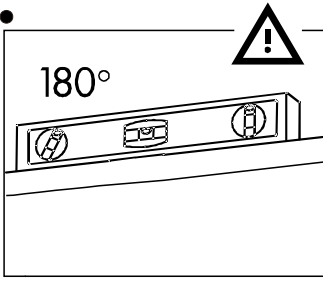


**4.**

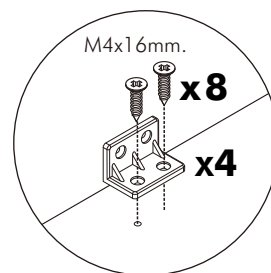
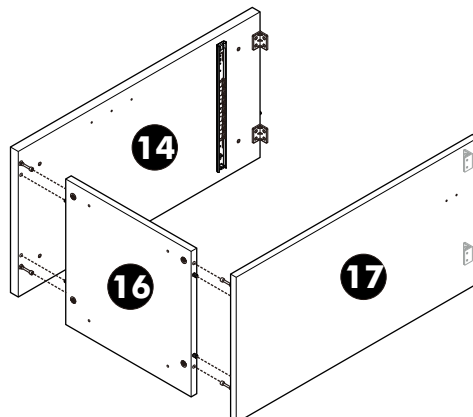
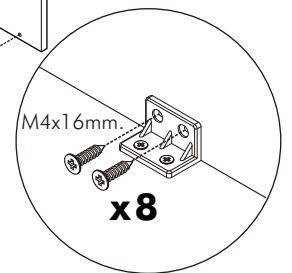
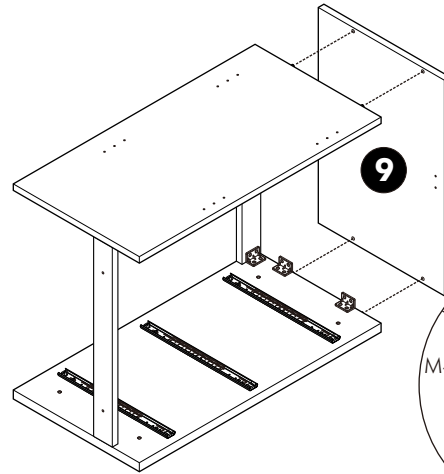
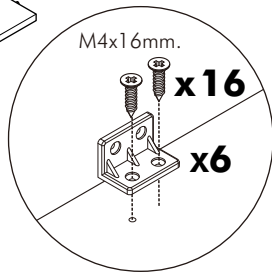
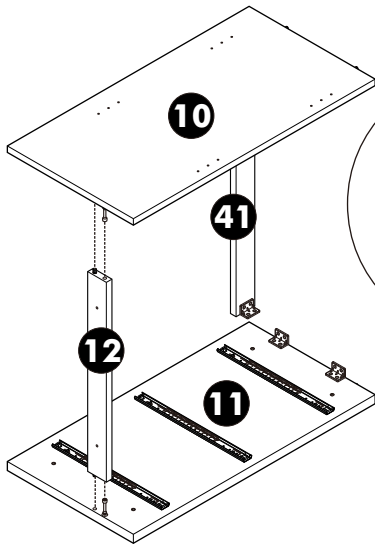




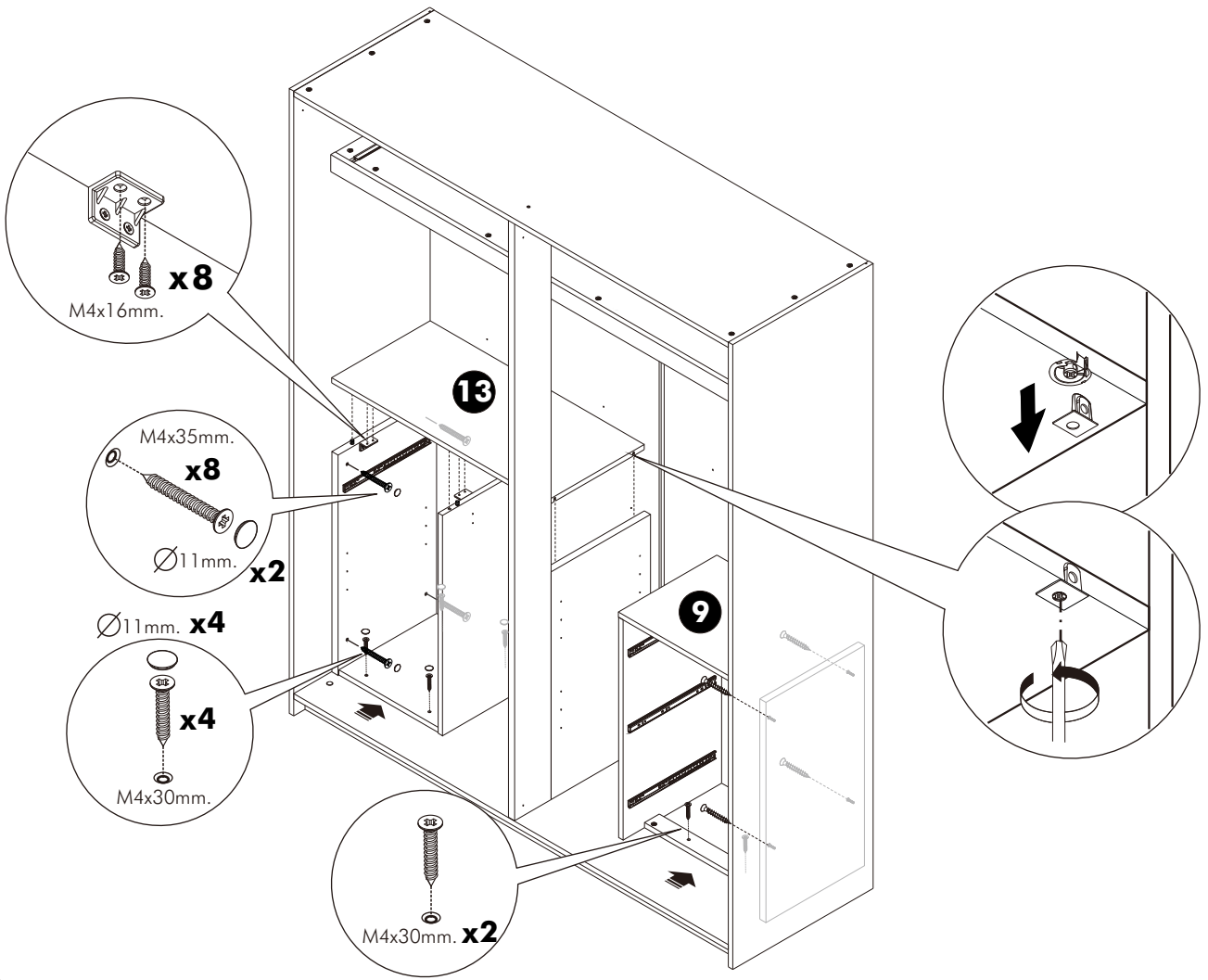
**7.**



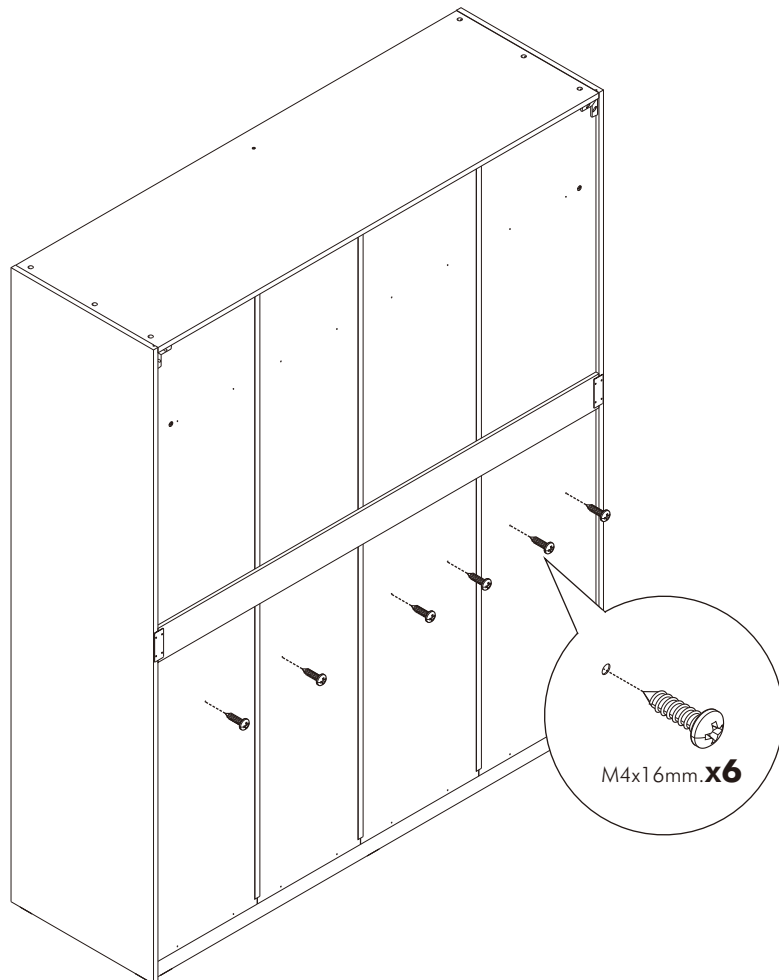
**8.**

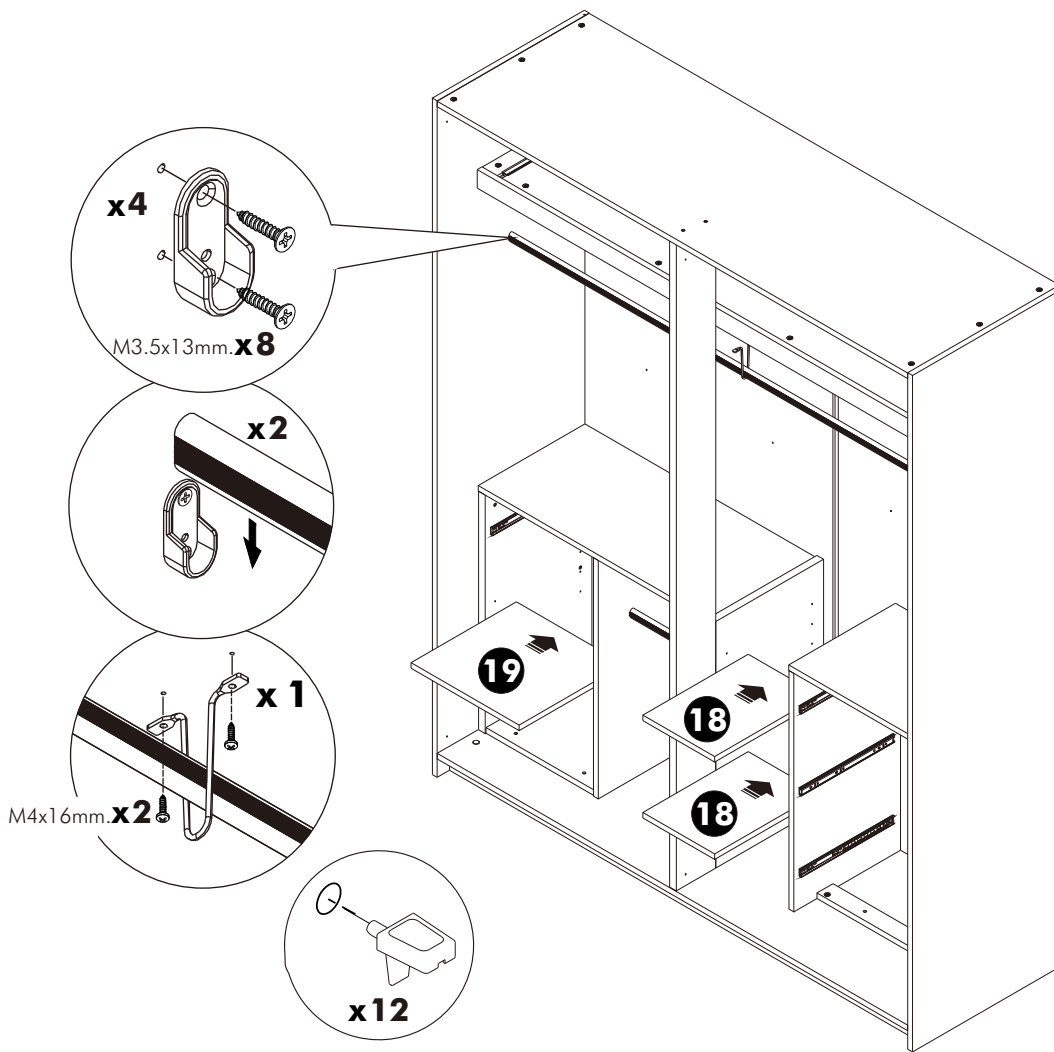


**9.**



**10.**





**ASSEMBLY**

-DRAWER SET

