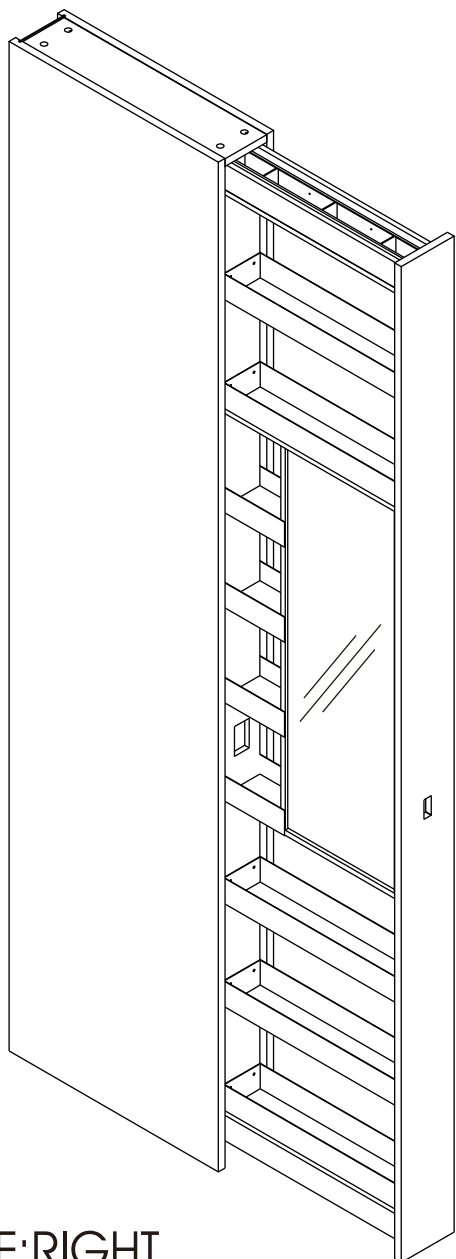
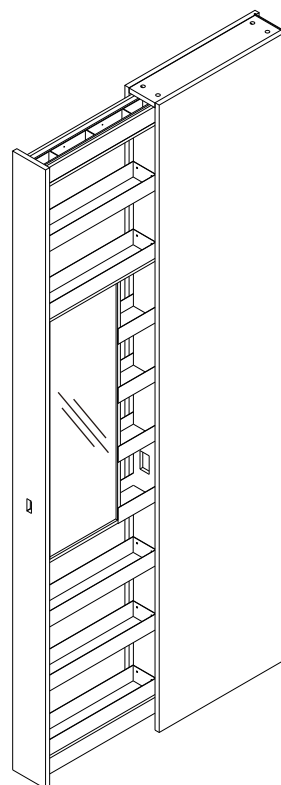


# SUPREME

## SlideDressing Cabinet



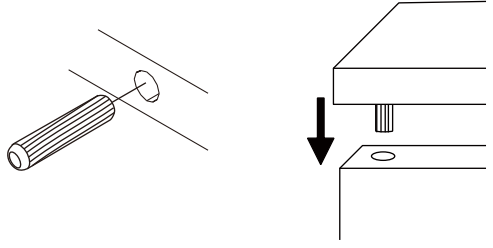
TYPE:RIGHT



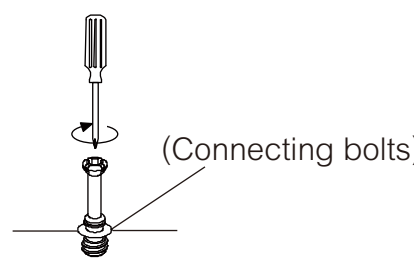
TYPE:LEFT

# CONNECT SYSTEM

**1**

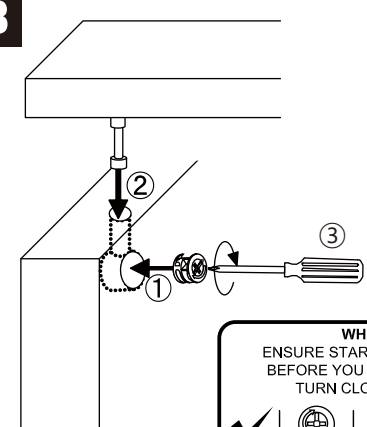


**2**



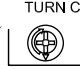
(Connecting bolts)

**3**




**WHEN FITTING CAMS**  
ENSURE STARTING POSITION IS CORRECT  
BEFORE YOU INSERT CONNECTING BOLT  
TURN CLOCKWISE UNTIL SECURE

✓

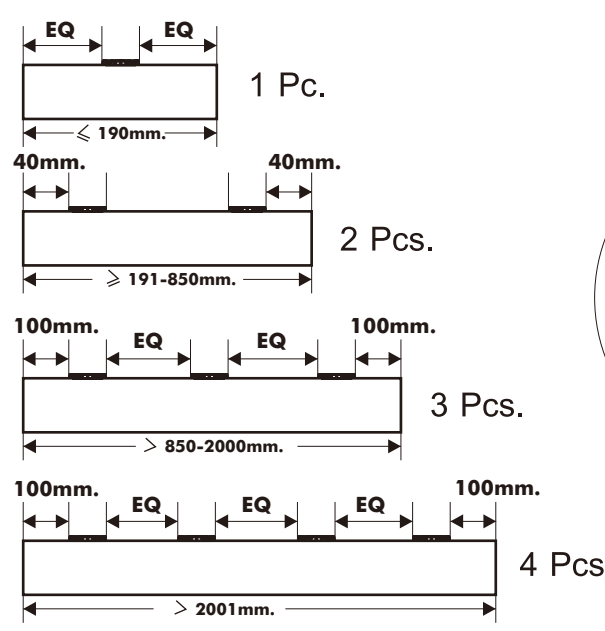


↑  
CORRECT

✗



WRONG

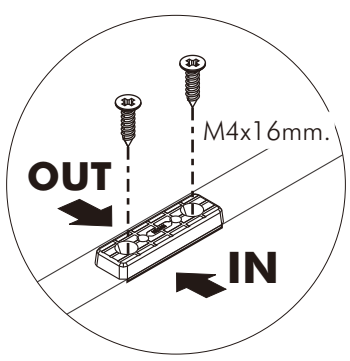


EQ EQ 1 Pc.  $\leq 190\text{mm.}$

40mm. 40mm. 2 Pcs.  $\geq 191-850\text{mm.}$

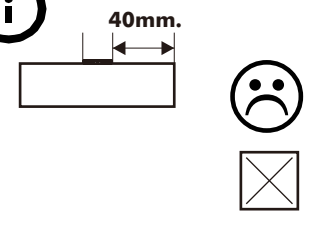
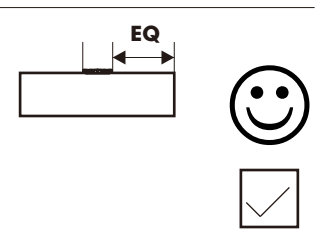
100mm. EQ EQ 100mm. 3 Pcs.  $> 850-2000\text{mm.}$

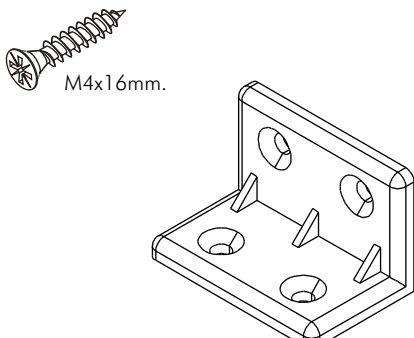
100mm. EQ EQ EQ 100mm. 4 Pcs.  $> 2001\text{mm.}$



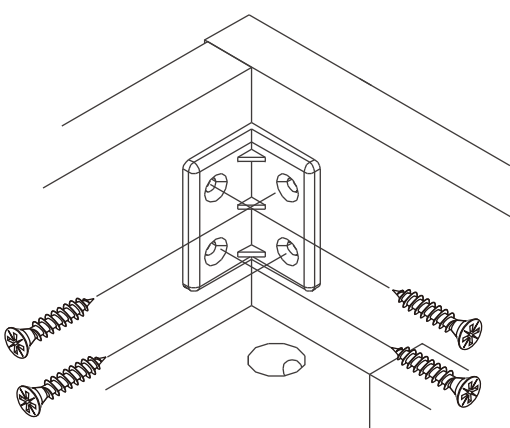
M4x16mm.

**i**

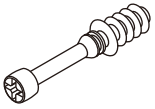


M4x16mm.



# HARDWARE

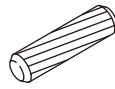
## -BODY SET



**X 4**

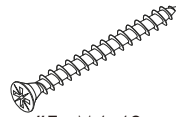


**X 4**



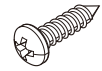
#8x35

**X 8**



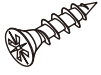
#F+M4x40

**X 56**



#P+M4x16

**X 20**



M3.5x13

**X 40**

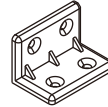


M4x16mm.

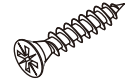
**X 30**



**X 1**



**X 5**



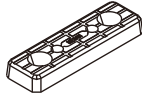
M4x25mm.

**X 26**



#11mm.

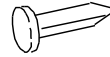
**X 18**



**X 5**



**X 5**

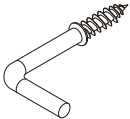


**X 5**



M4x15mm.

**X 1**

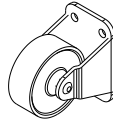


**X 5**

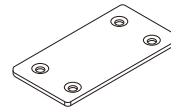


M4x8mm.

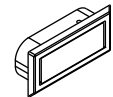
**X 20**



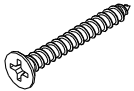
**X 1**



**X 2**



**X 1**



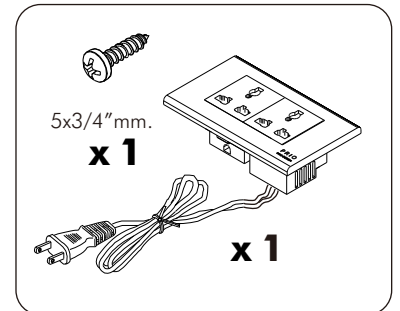
M4x30mm.

**X 3**

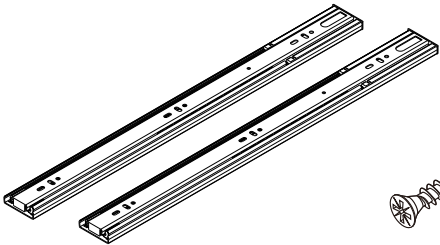


#P+M3.5x13

**X 8**



## -DOOR SET



**X 2 SET**



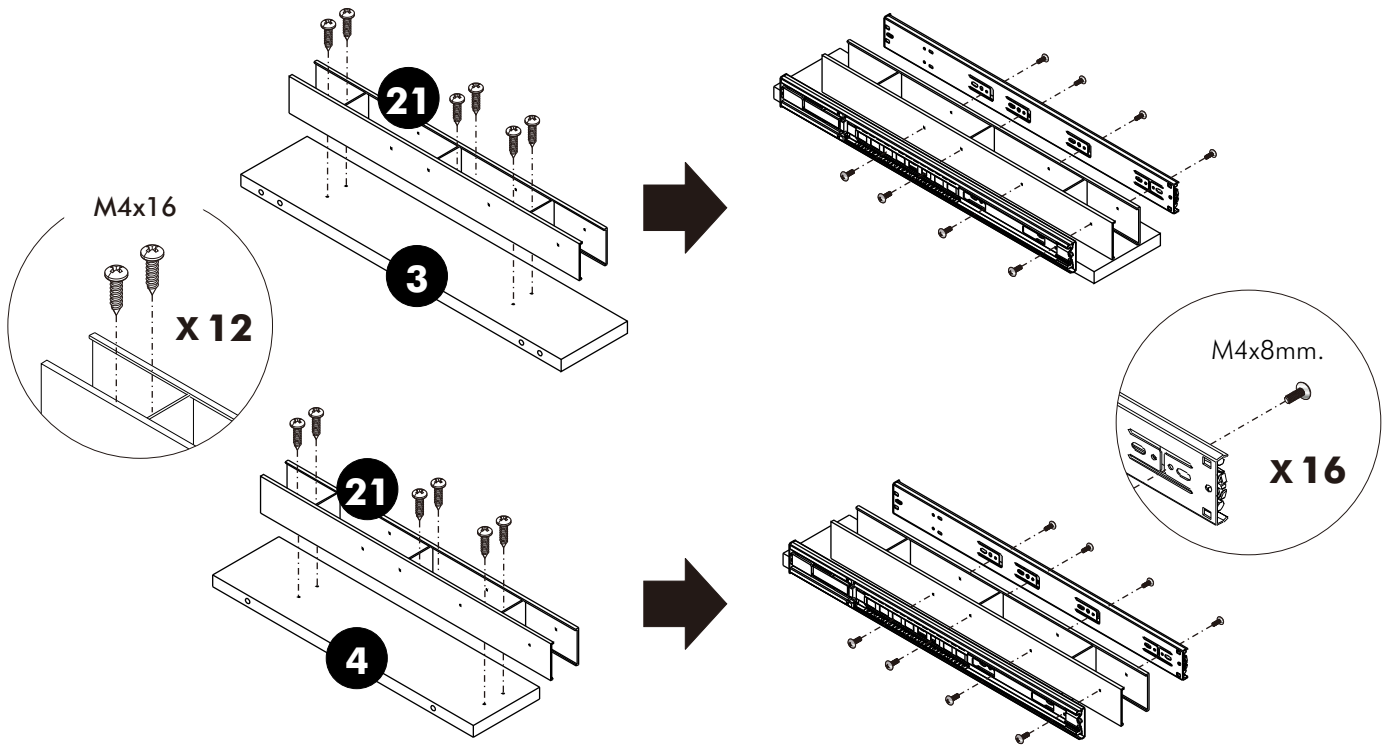
M3.5x13mm.

**X 12**

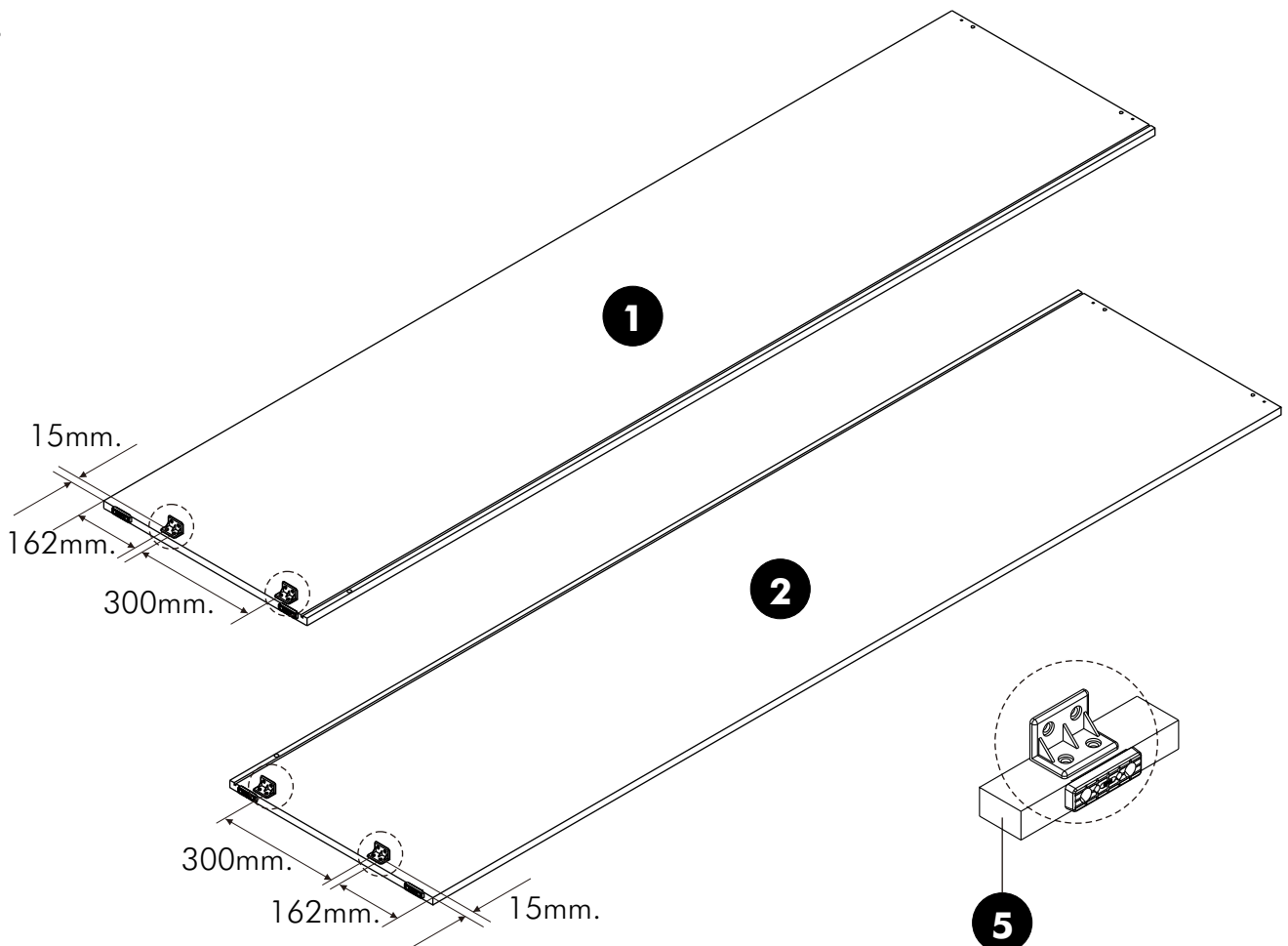
# ASSEMBLY

-BODY SET

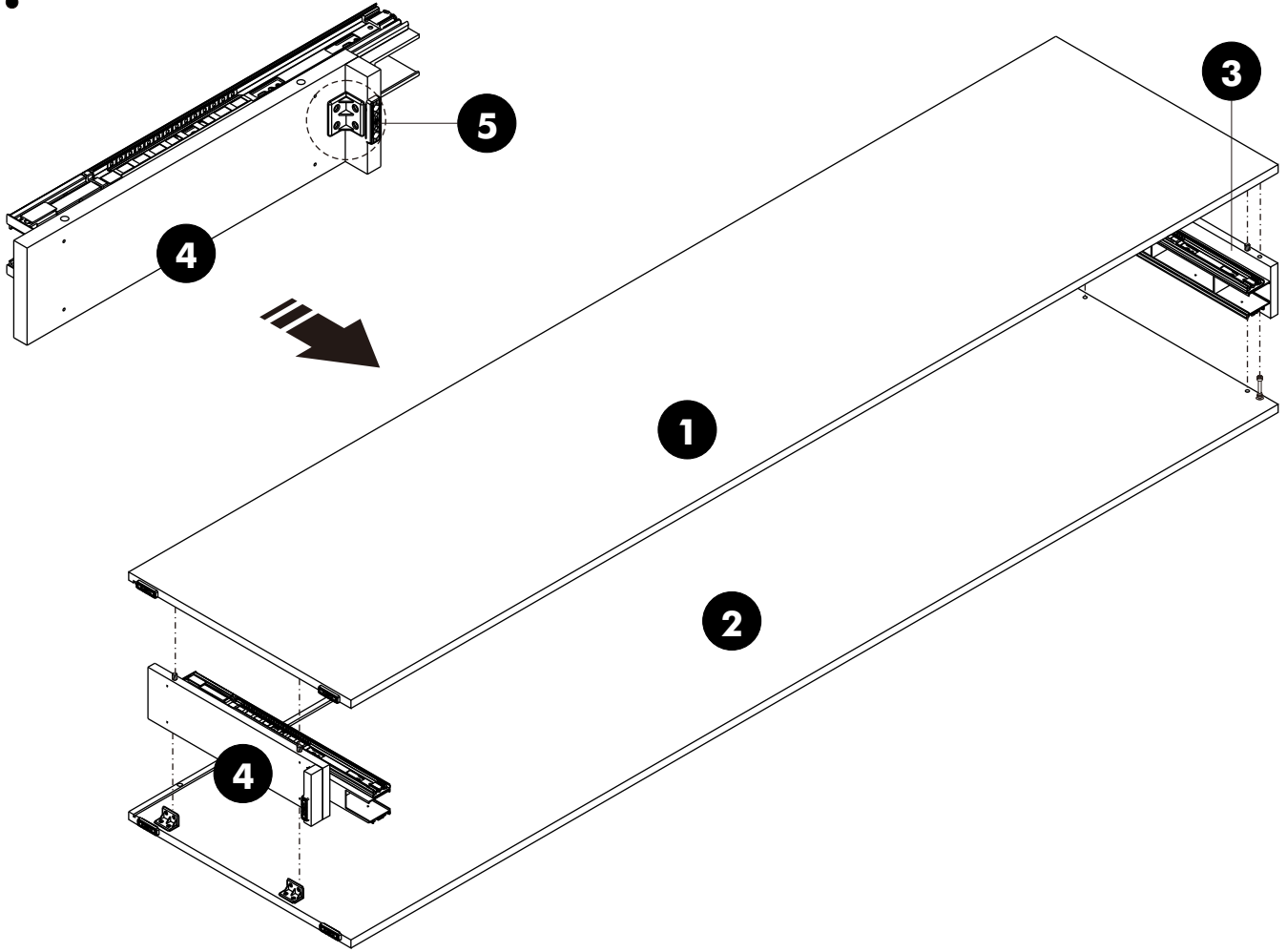
## 1.



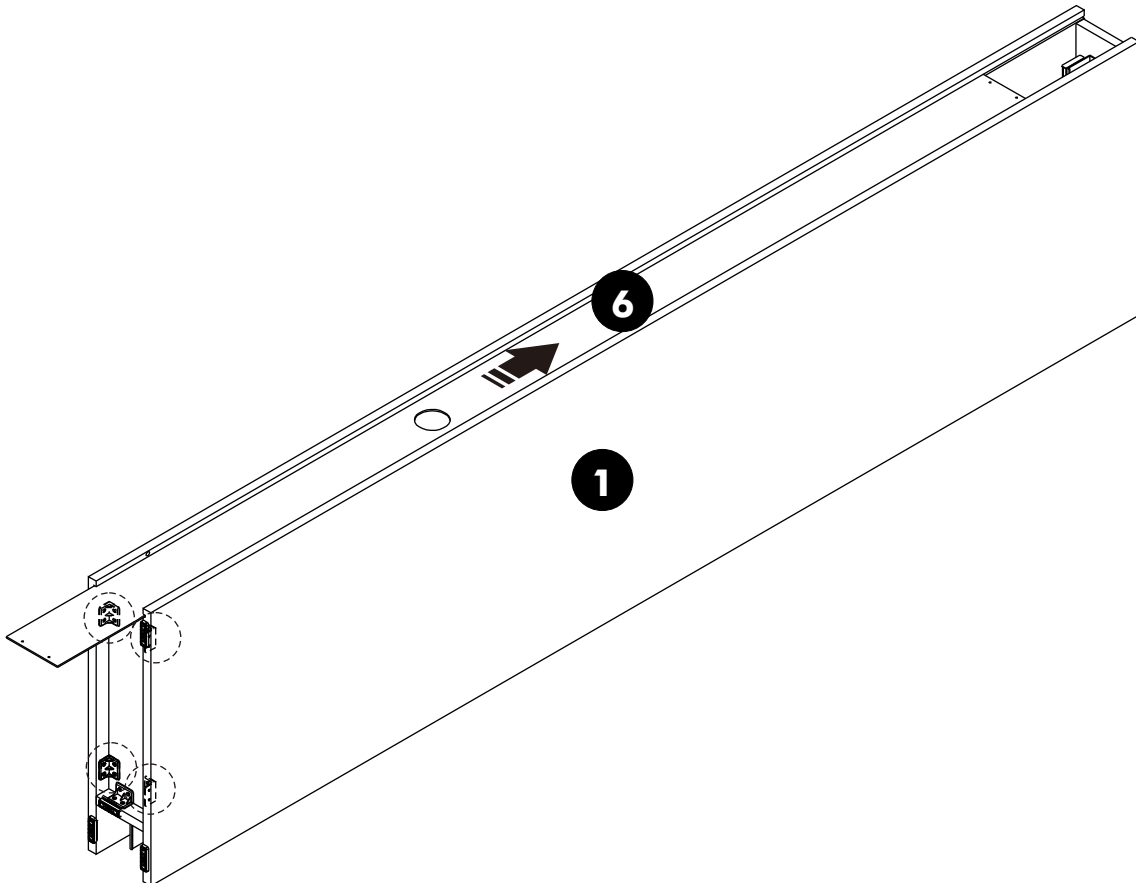
## 2.



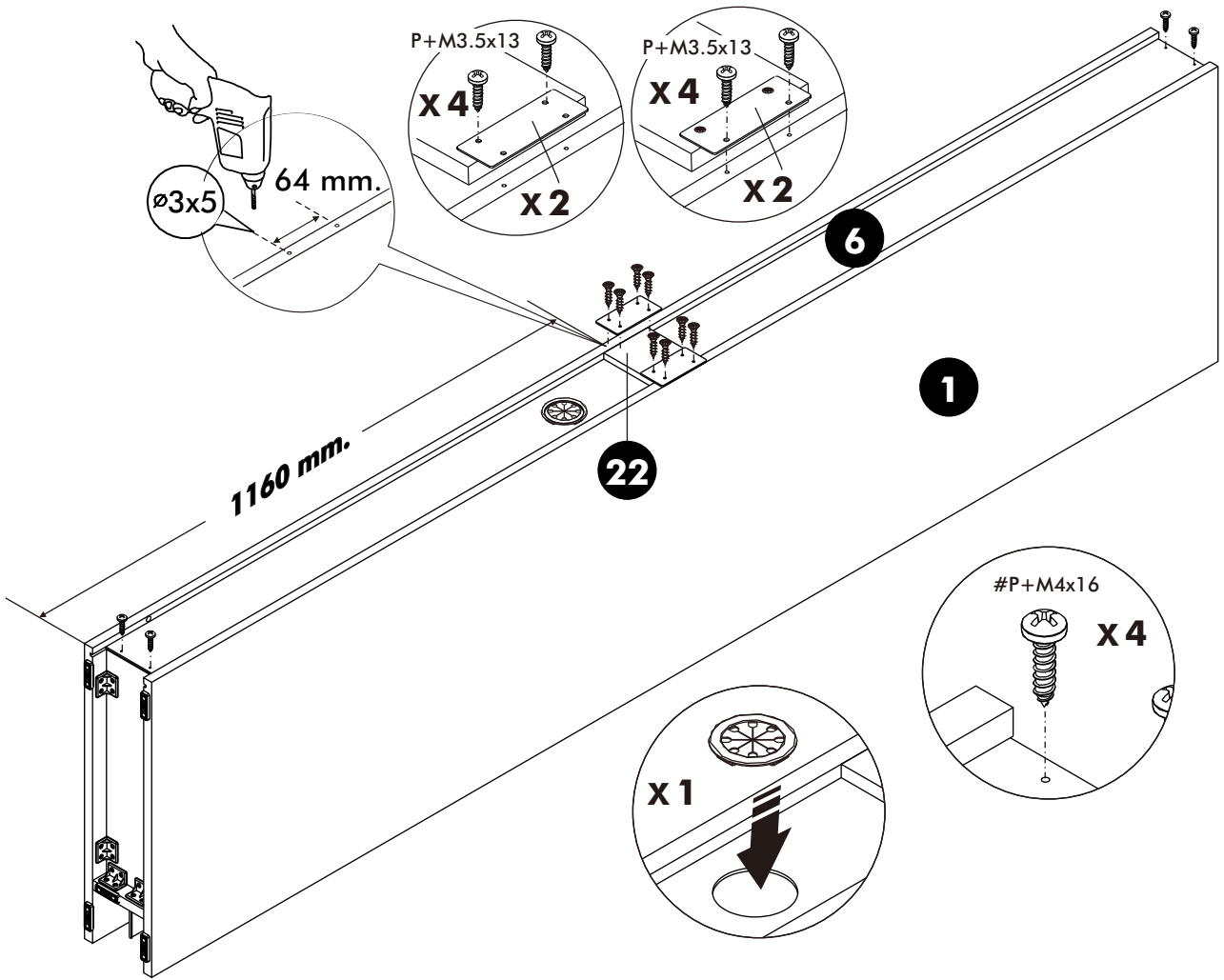
**3.**



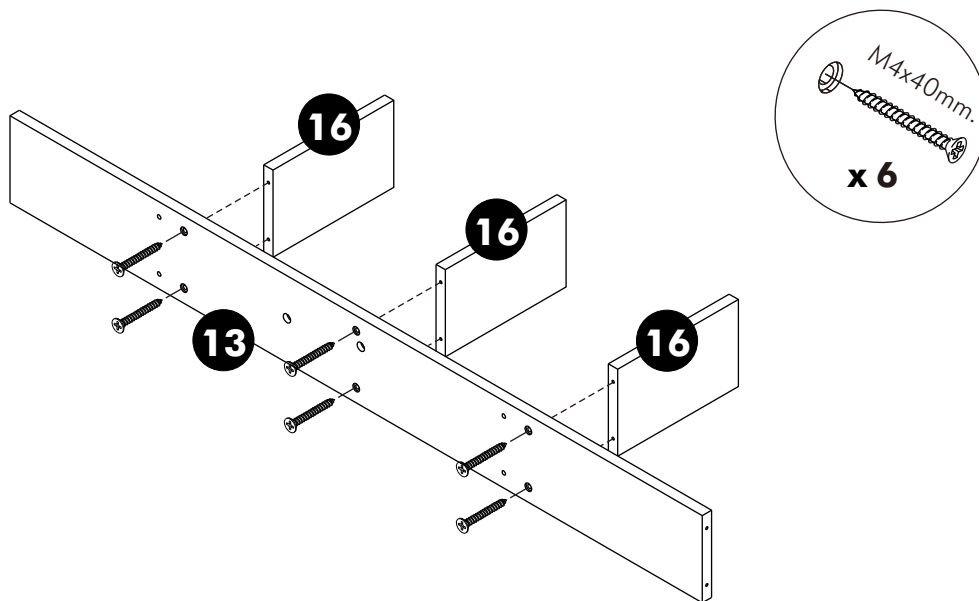
**4.**



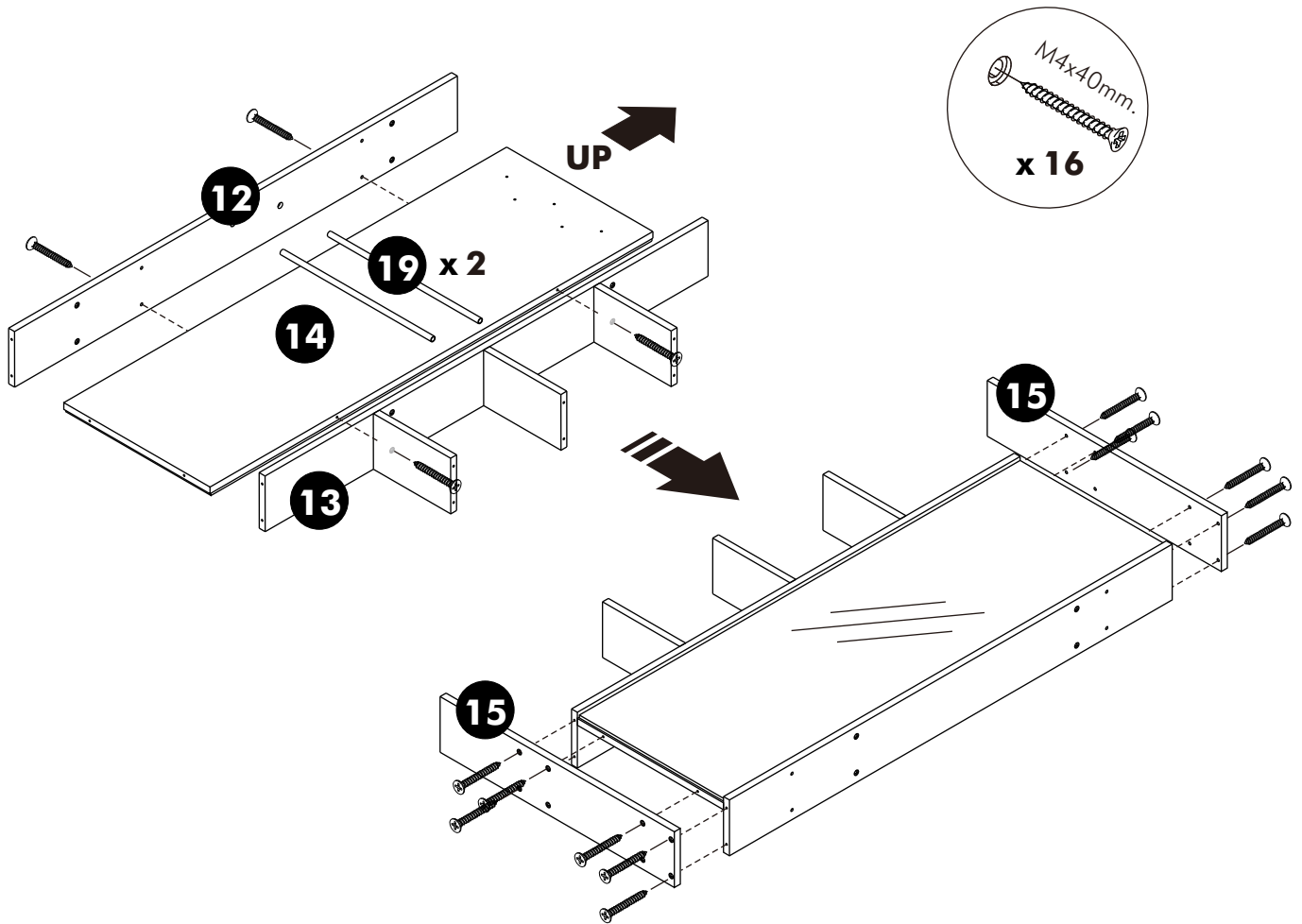
5.



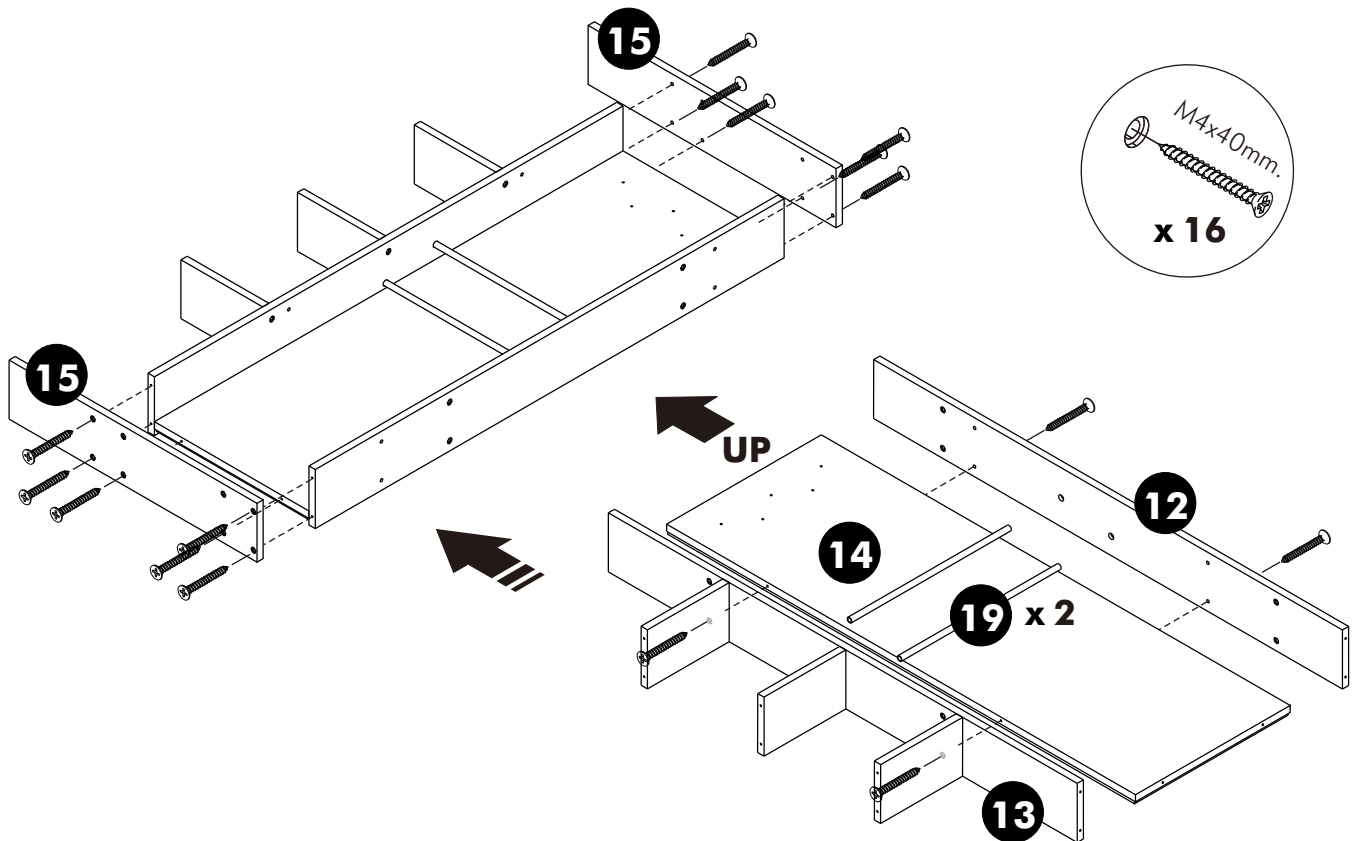
6.



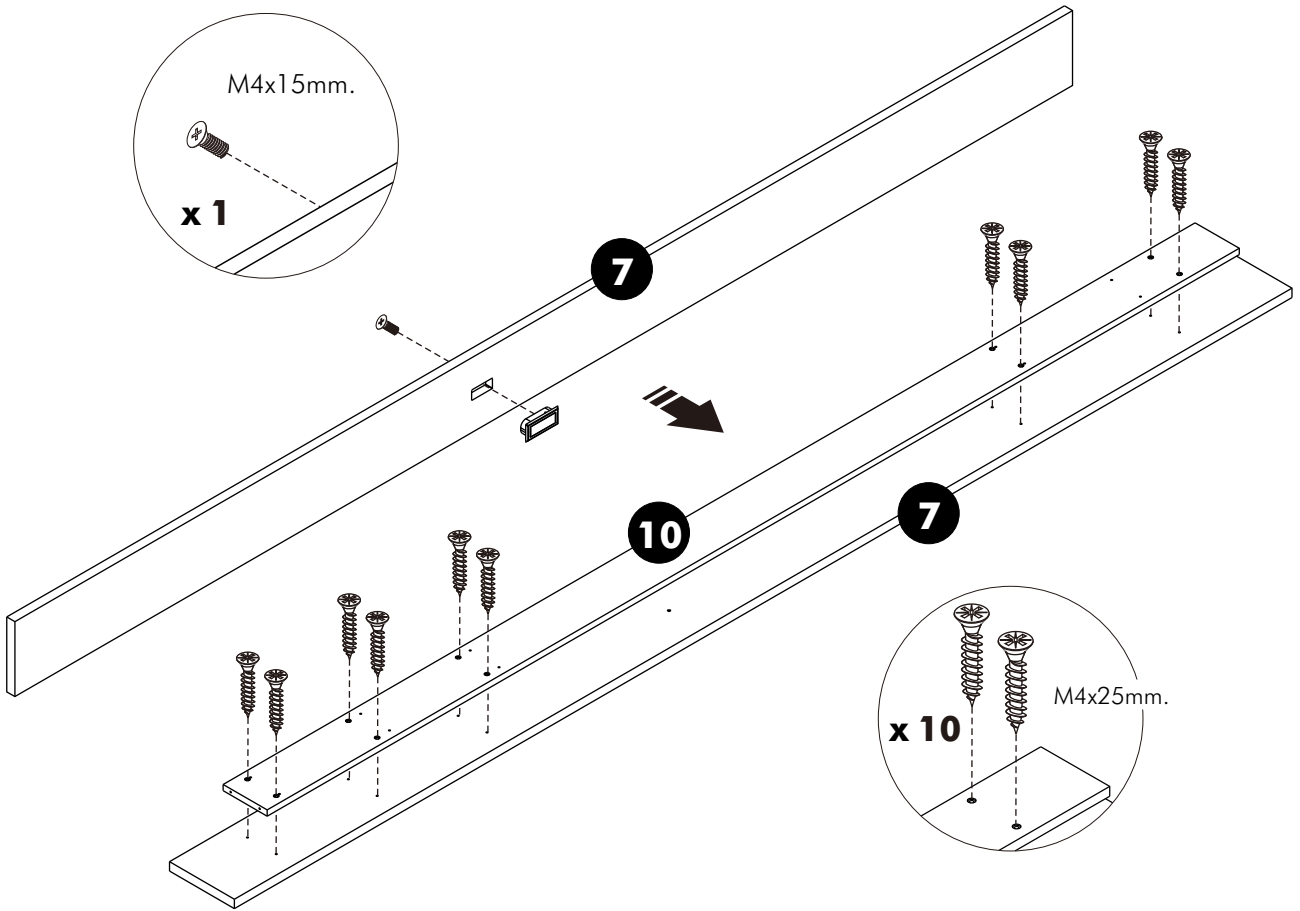
## 7. TYPE:RIGHT



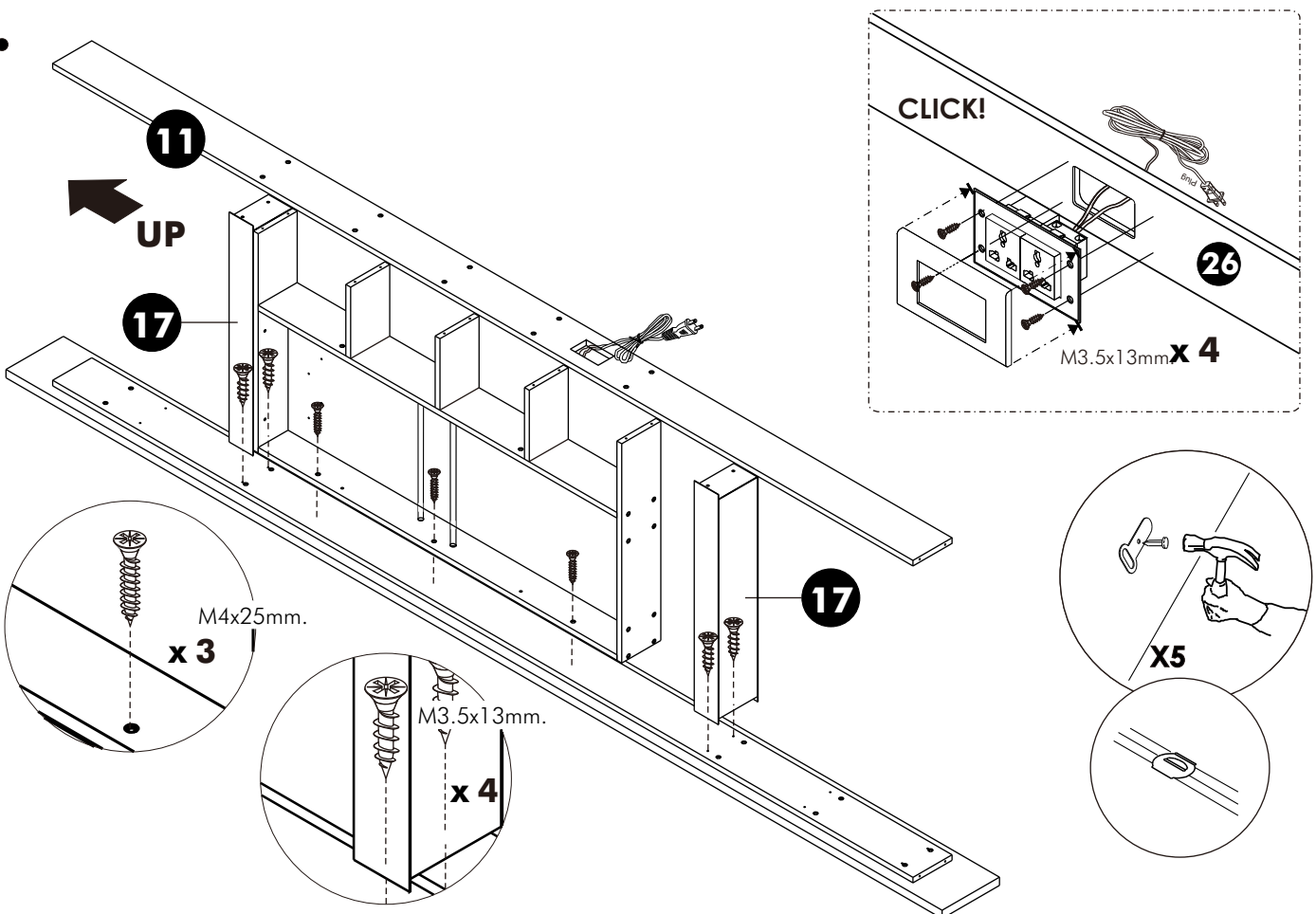
## 7. TYPE:LEFT



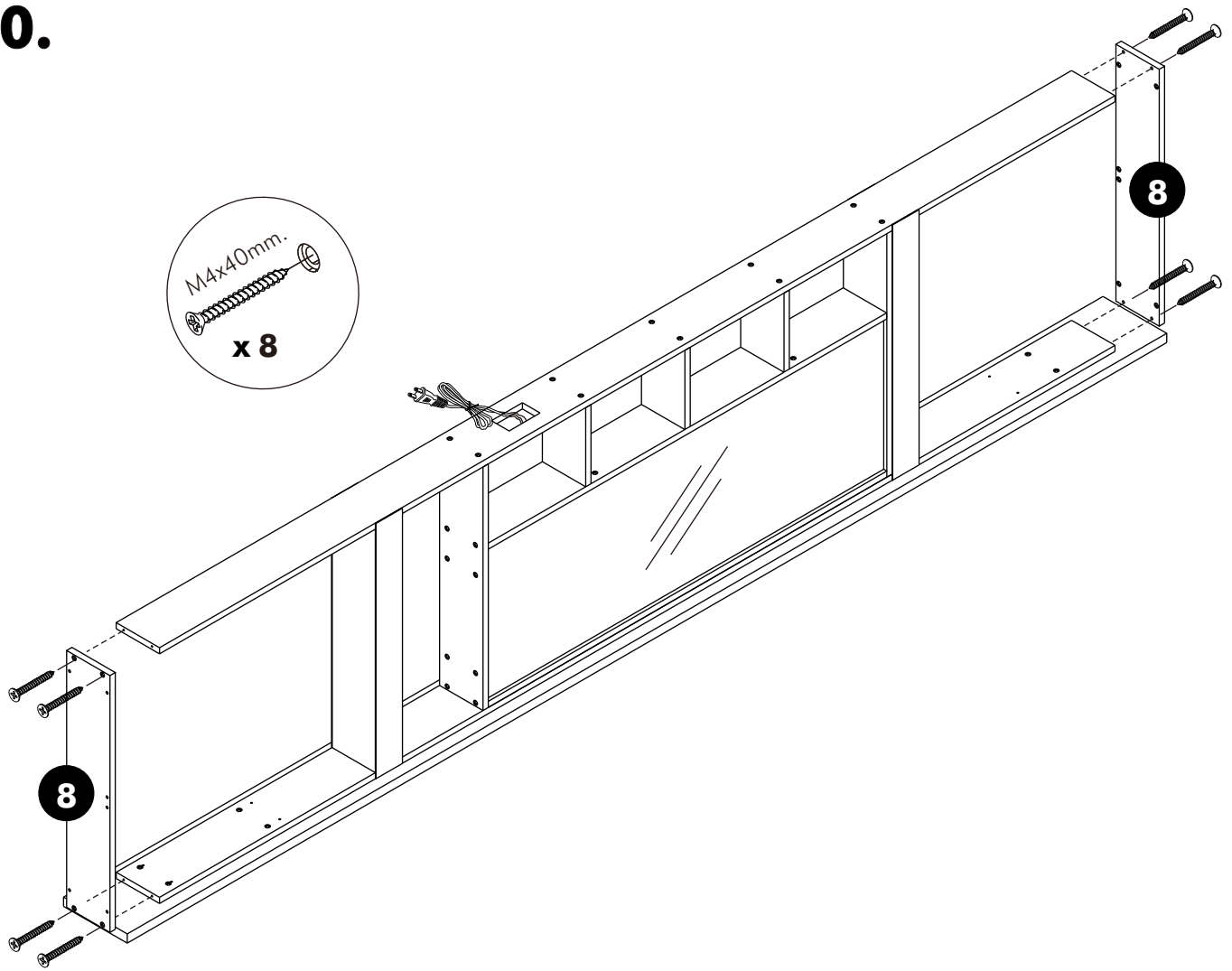
8.



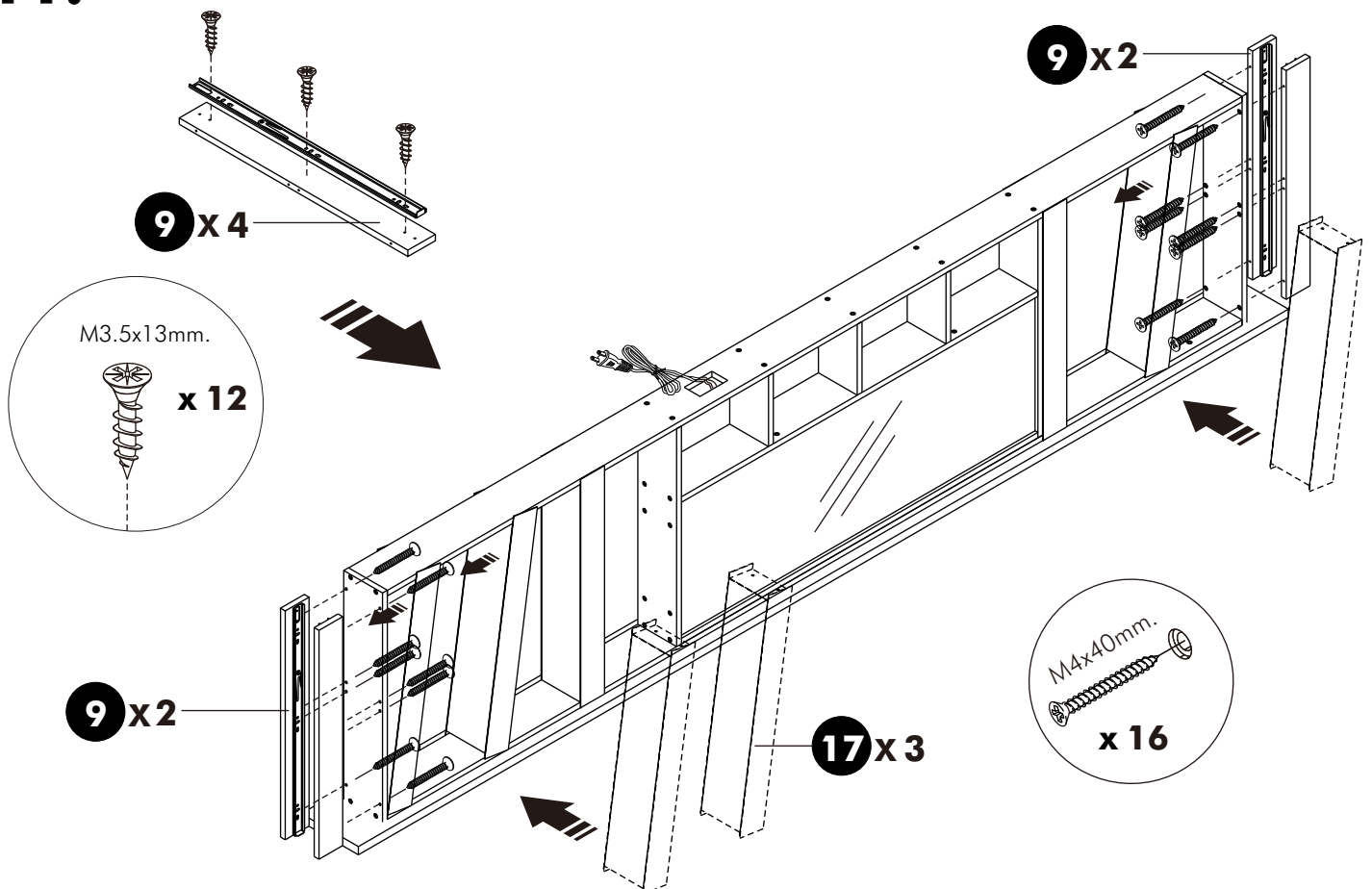
9.



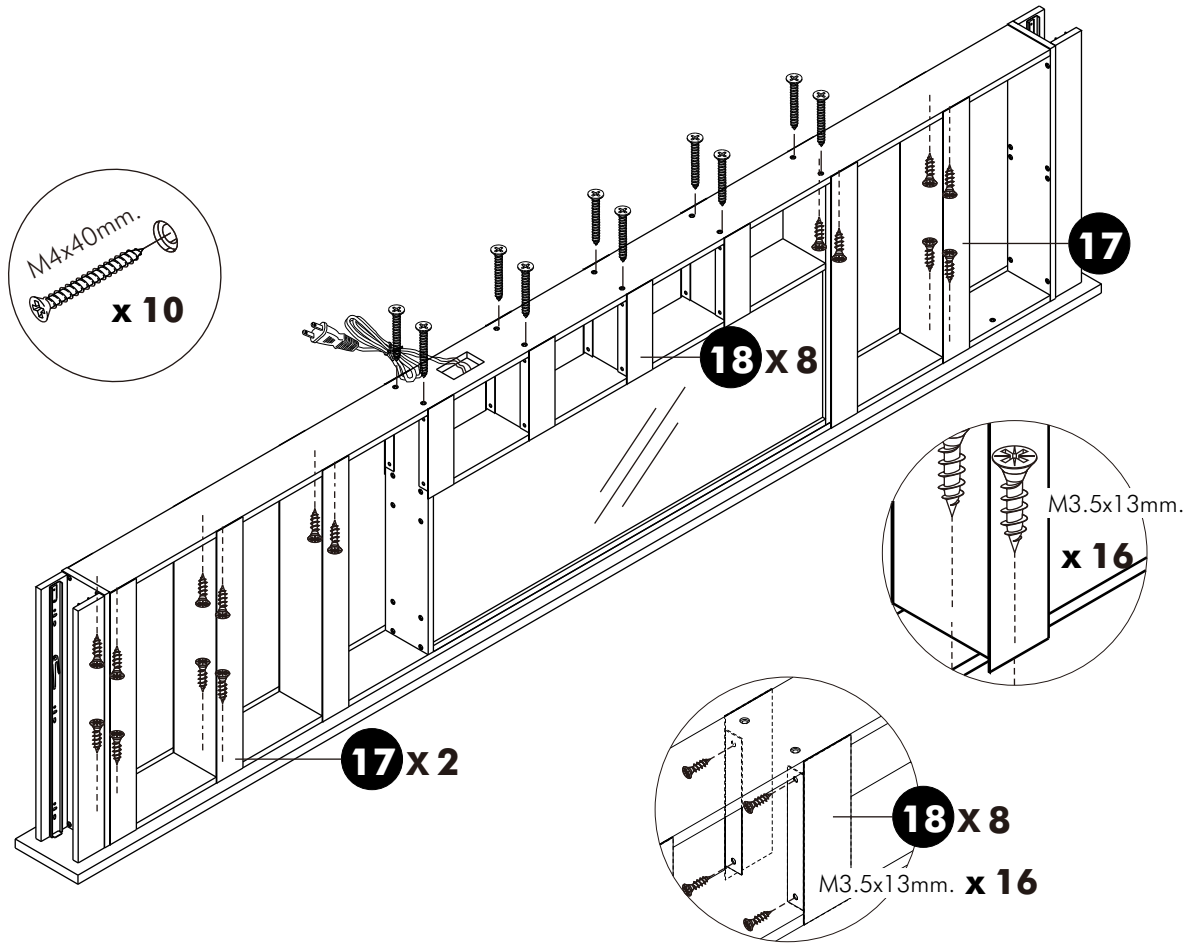
10.



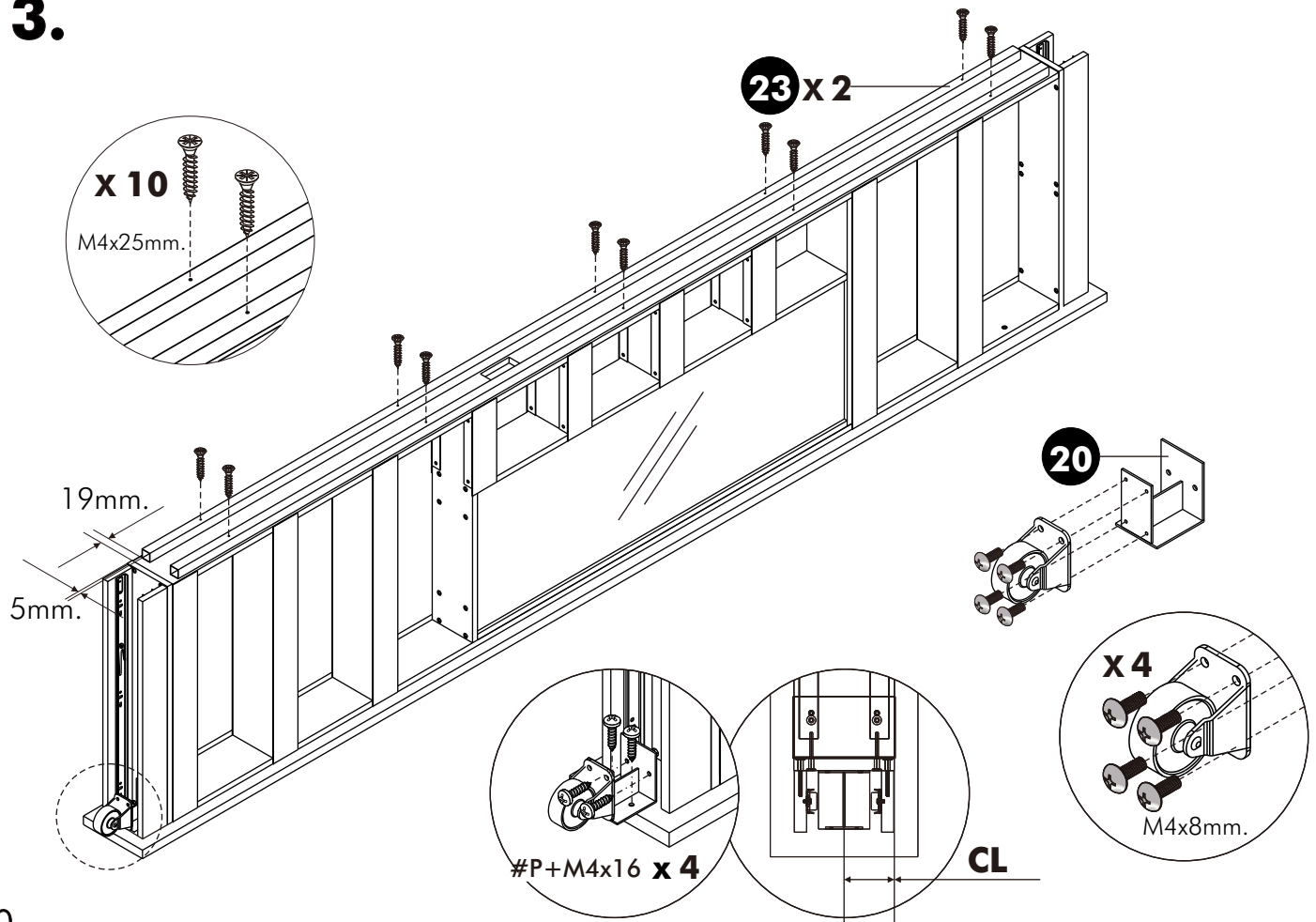
11.



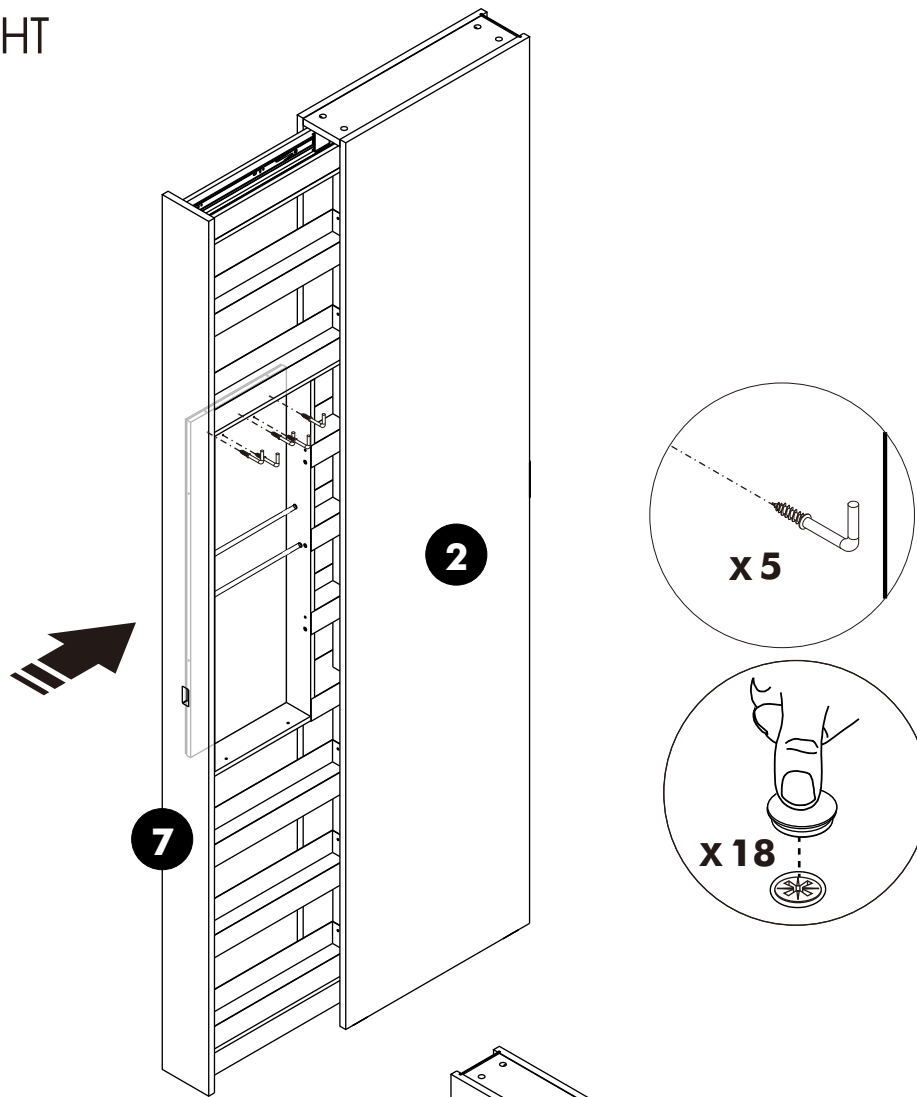
# 12.



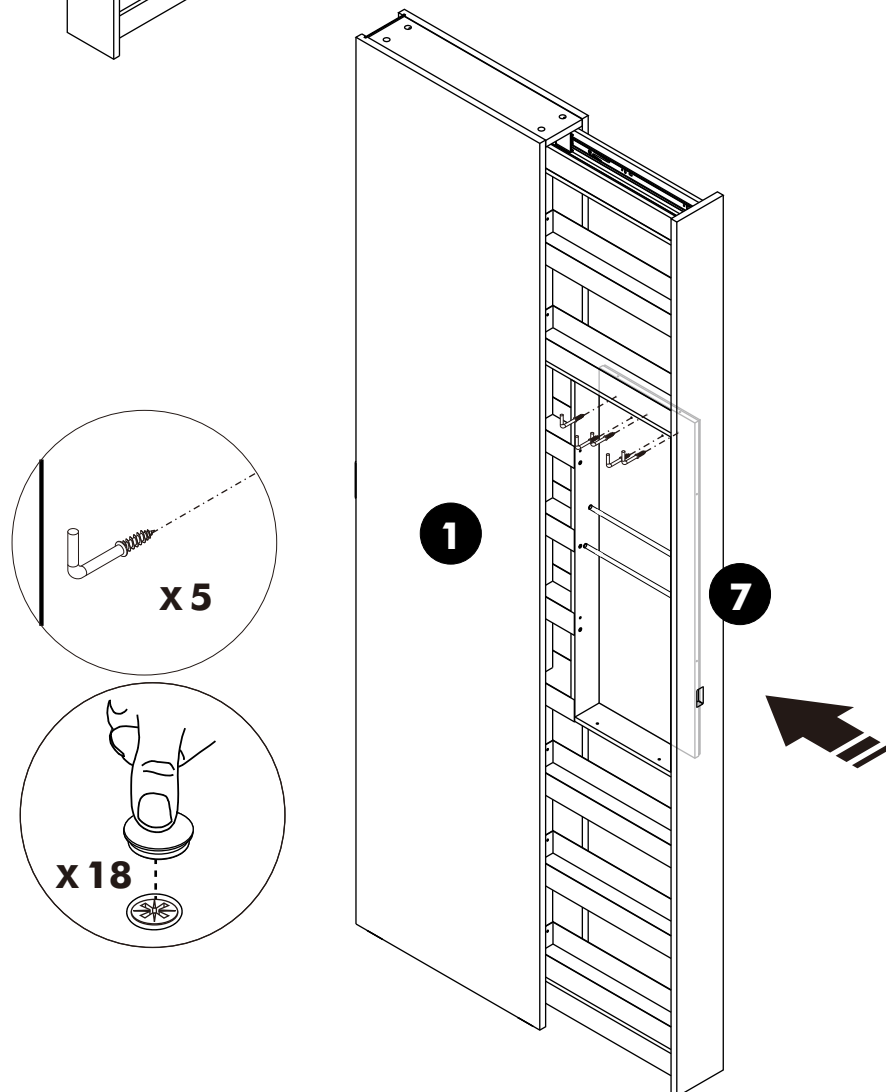
# 13.



# 14. TYPE:RIGHT



# 14. TYPE:LEFT





Wardrobe Slide W100,120 cm.

