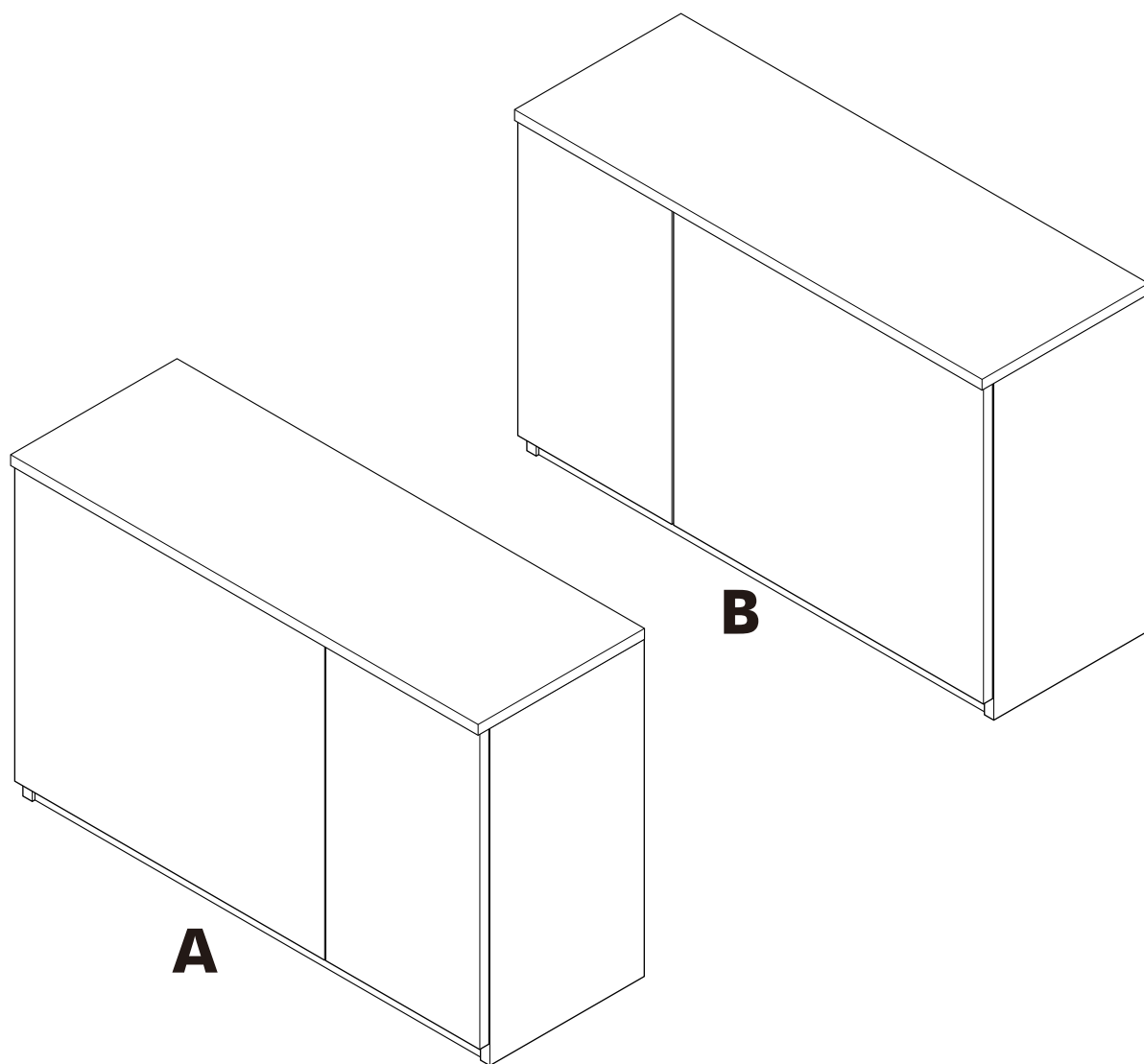
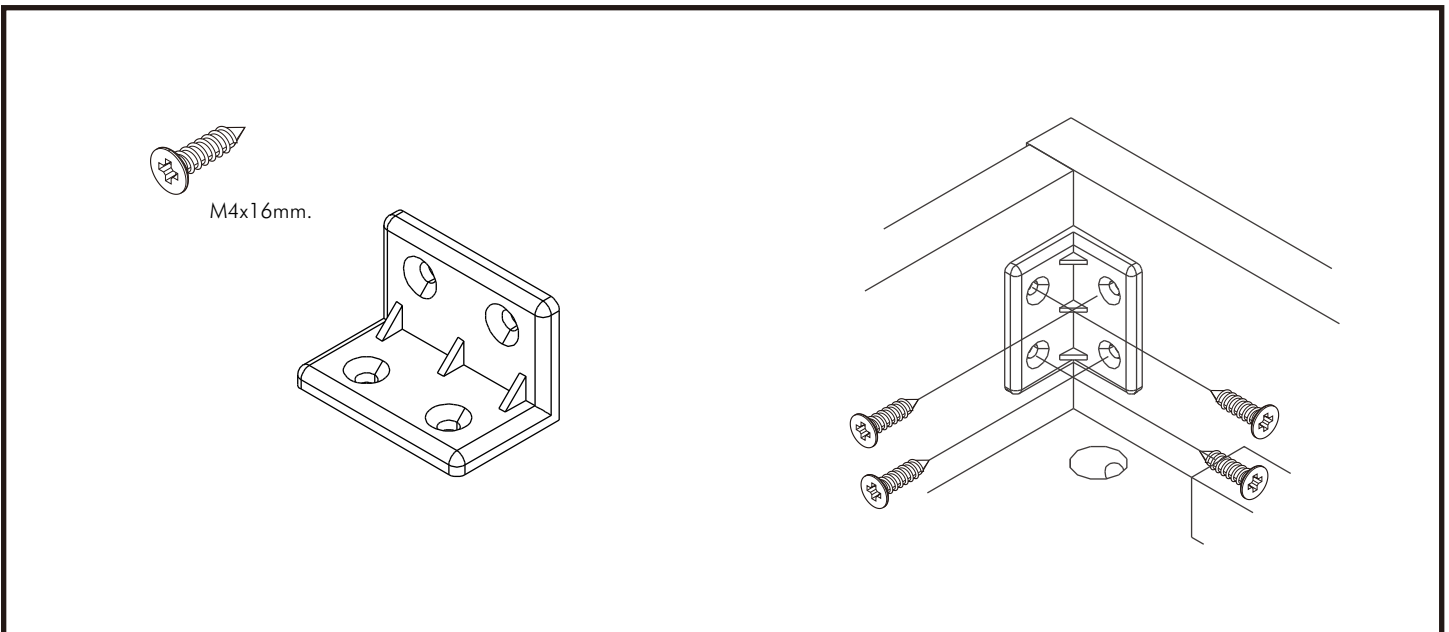
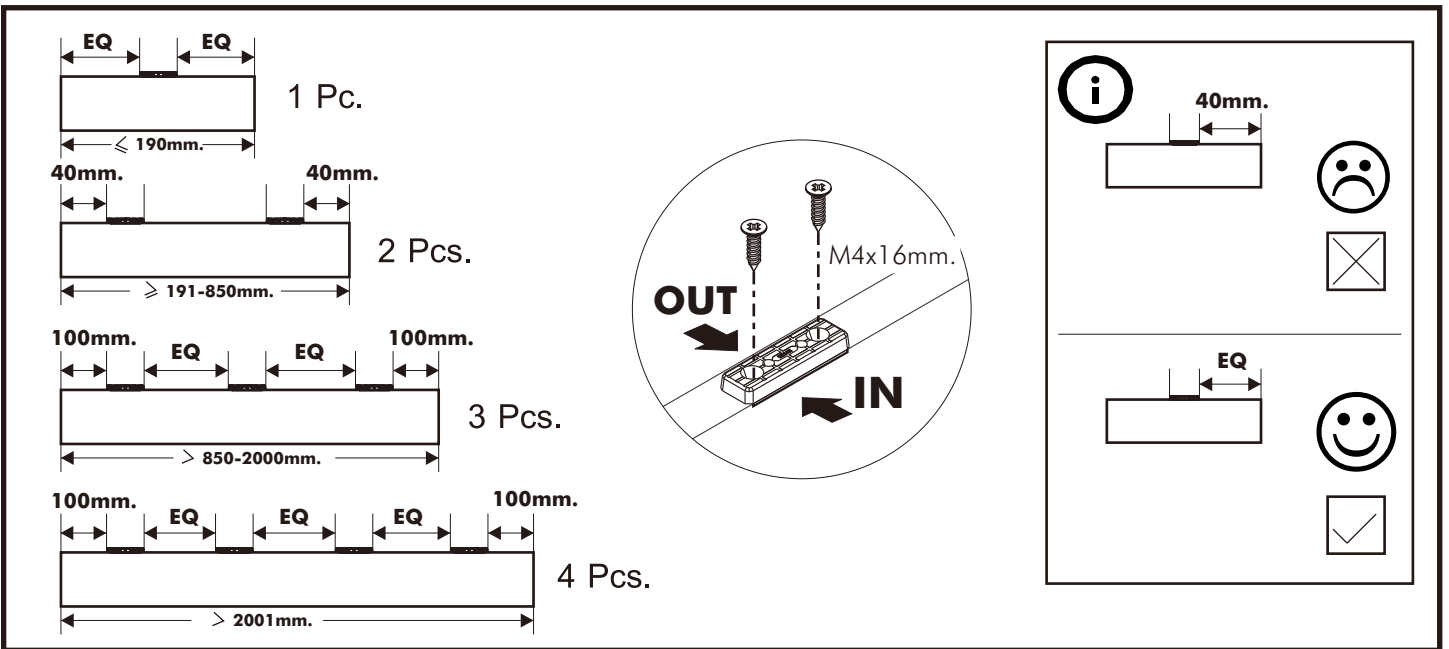
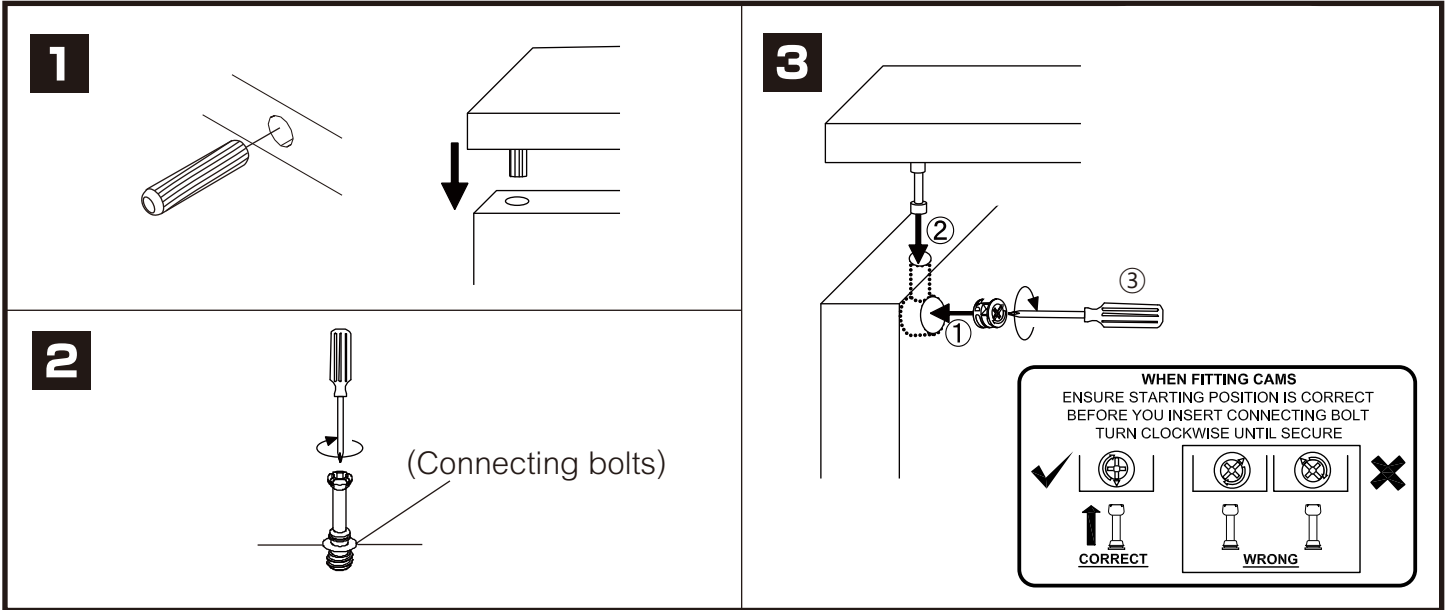


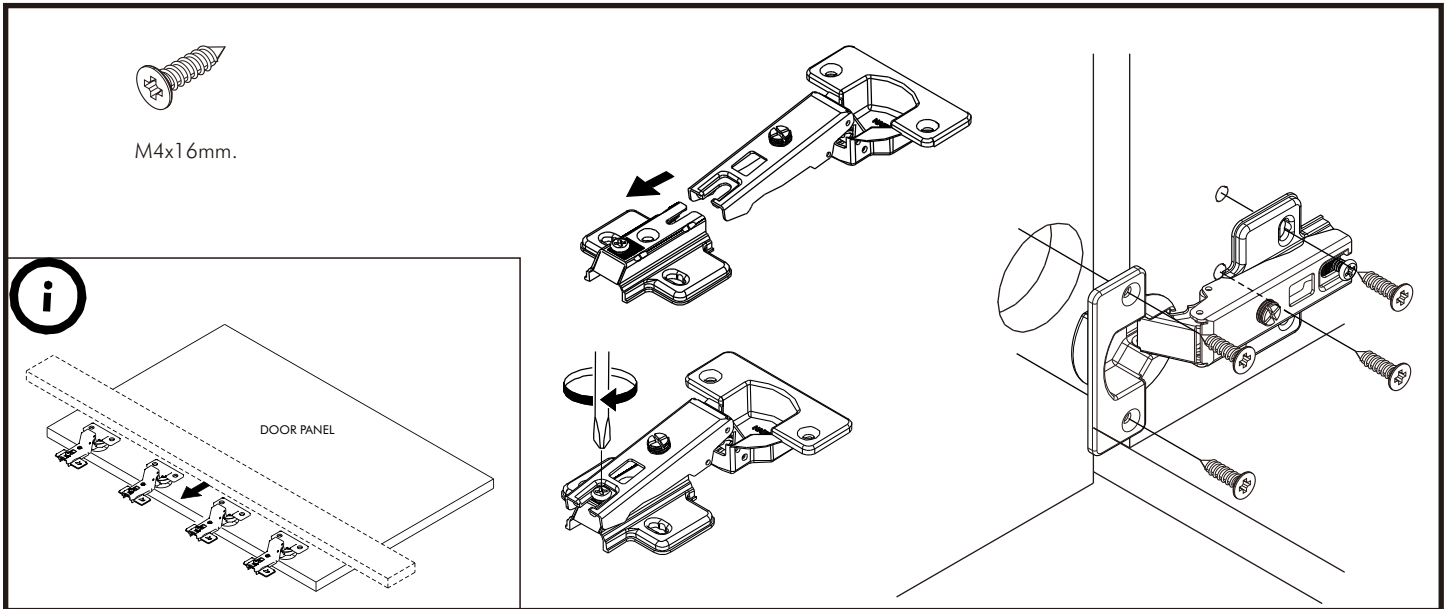
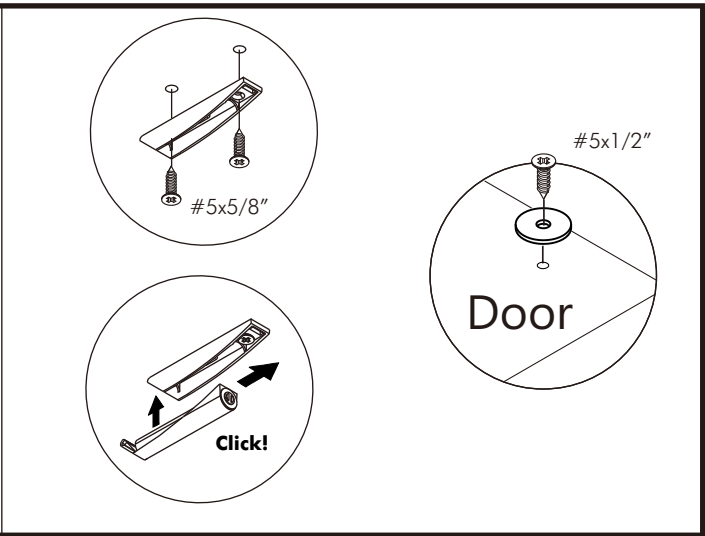
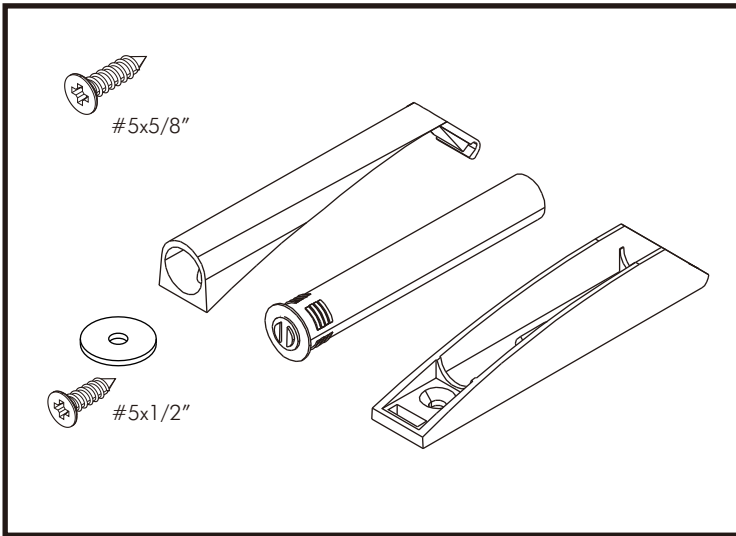
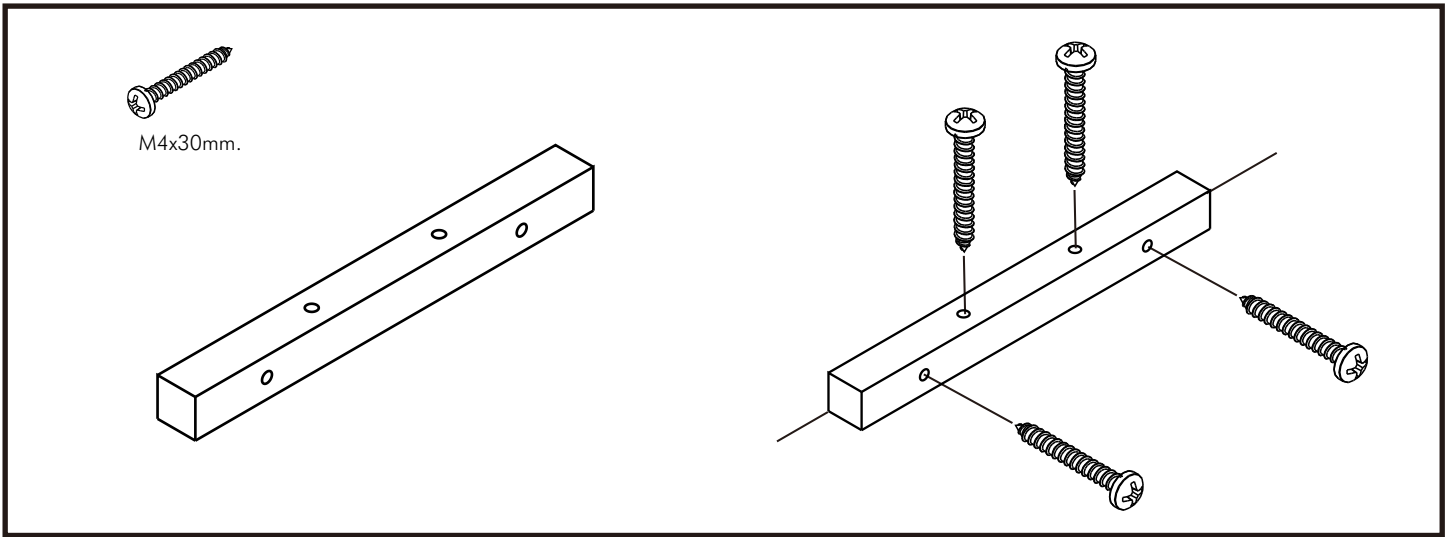
# SUPREME

**Tv cabinet 90 cm.**



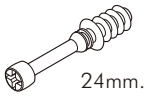
# CONNECT SYSTEM





# HARDWARE

## -BODY SET

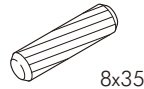


24mm.

**x 8**



**x 8**



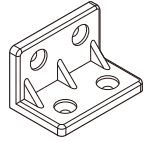
8x35

**x 14**

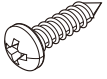


M4x30mm.

**x 11**

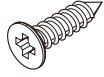


**x 9**



M4x16mm.

**x 4**



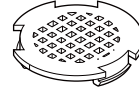
M4x16mm.

**x 80**



M4x50mm.

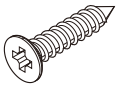
**x 4**



**x 2**



**x 4**



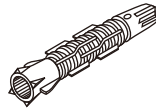
M3.5x20mm.

**x 4**

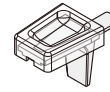


M5x70mm.

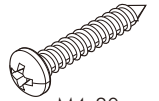
**x 3**



**x 3**

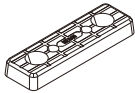


**x 16**

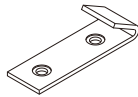


M4x30mm.

**x 8**



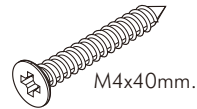
**x 9**



**x 8**

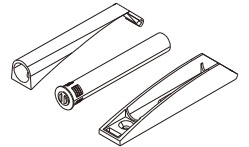


**x 4**



M4x40mm.

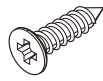
**x 1**



**x 2 set**



**x 2**



5x5/8"

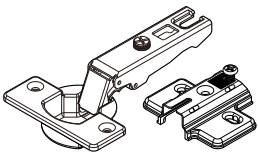
**x 4**



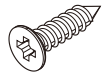
5x1/2"

**x 2**

## -DOOR SET



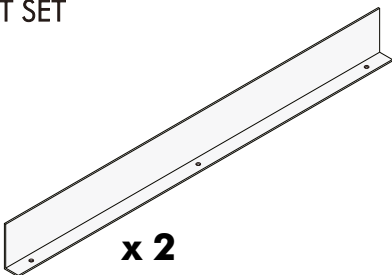
**x 4/4**



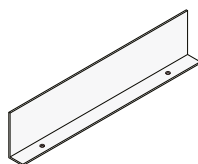
M4x16mm.

**x 16**

## -PART SET



**x 2**

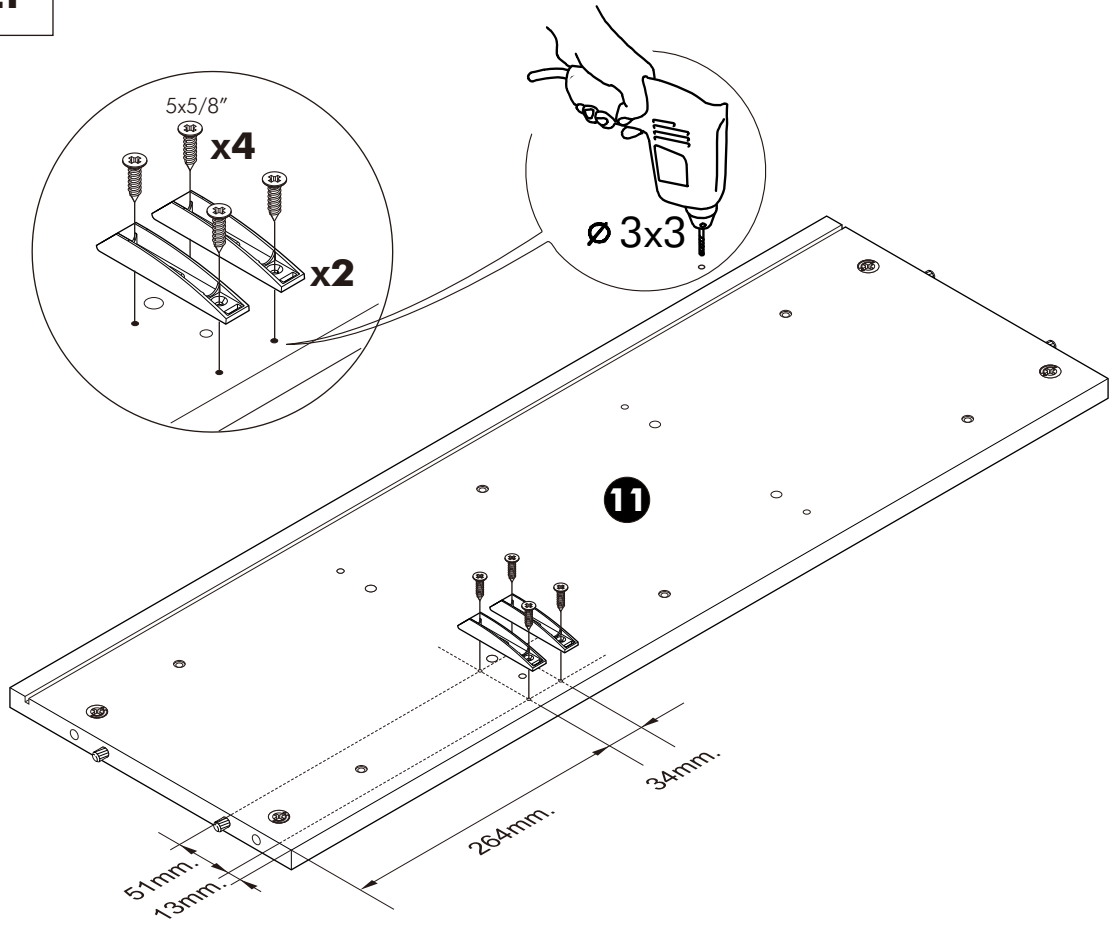


**x 2**

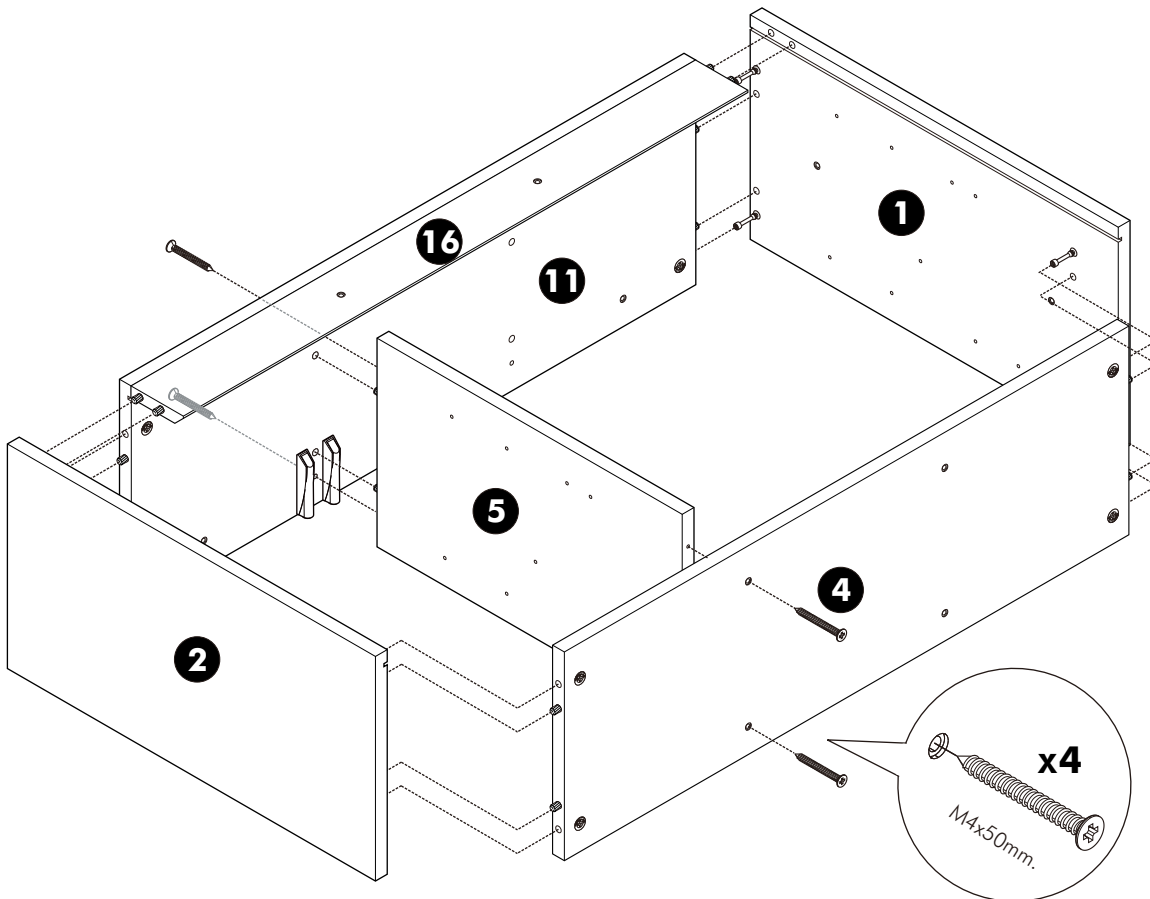
# ASSEMBLY

-BODY SET

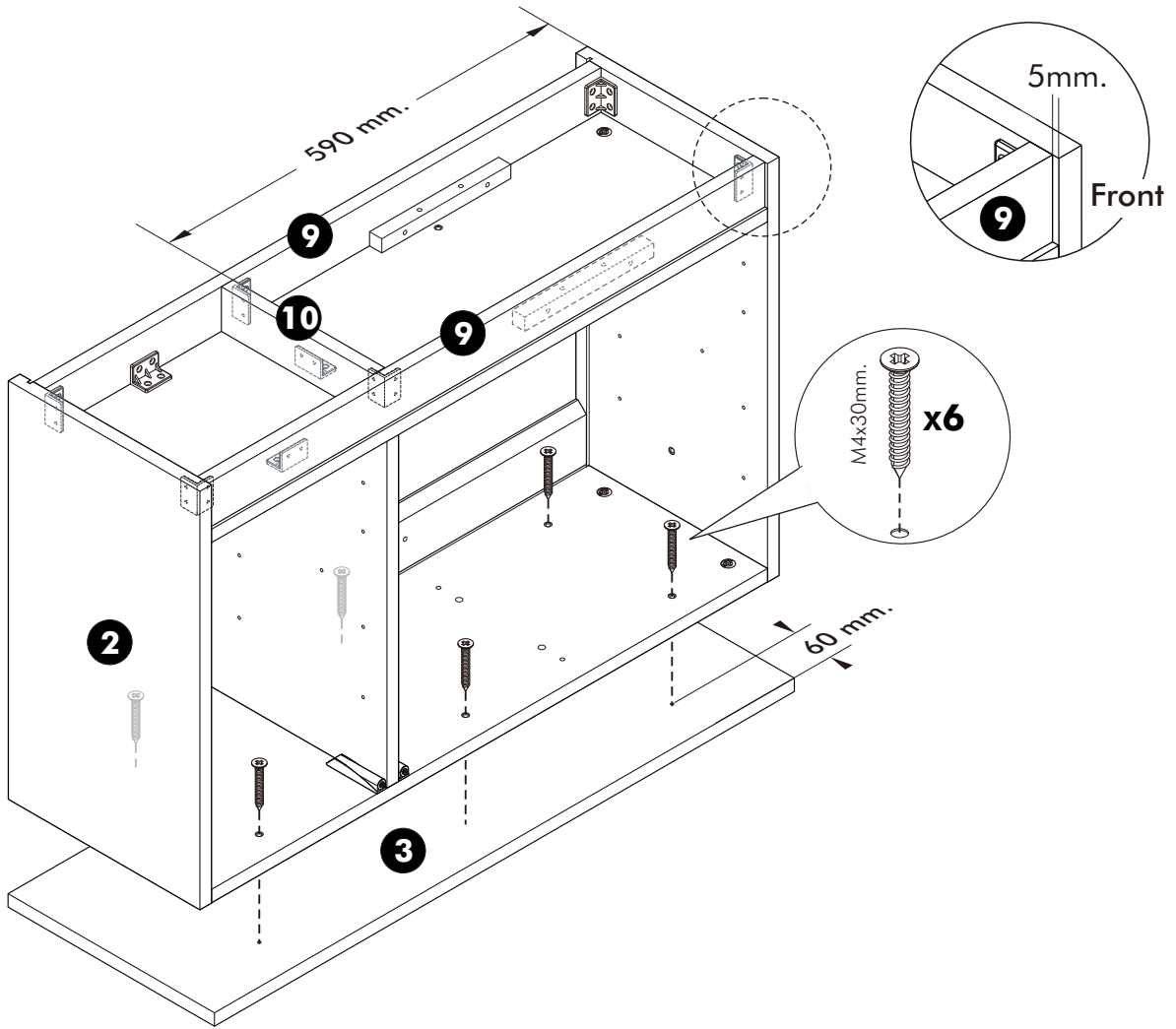
**1.** Type : A



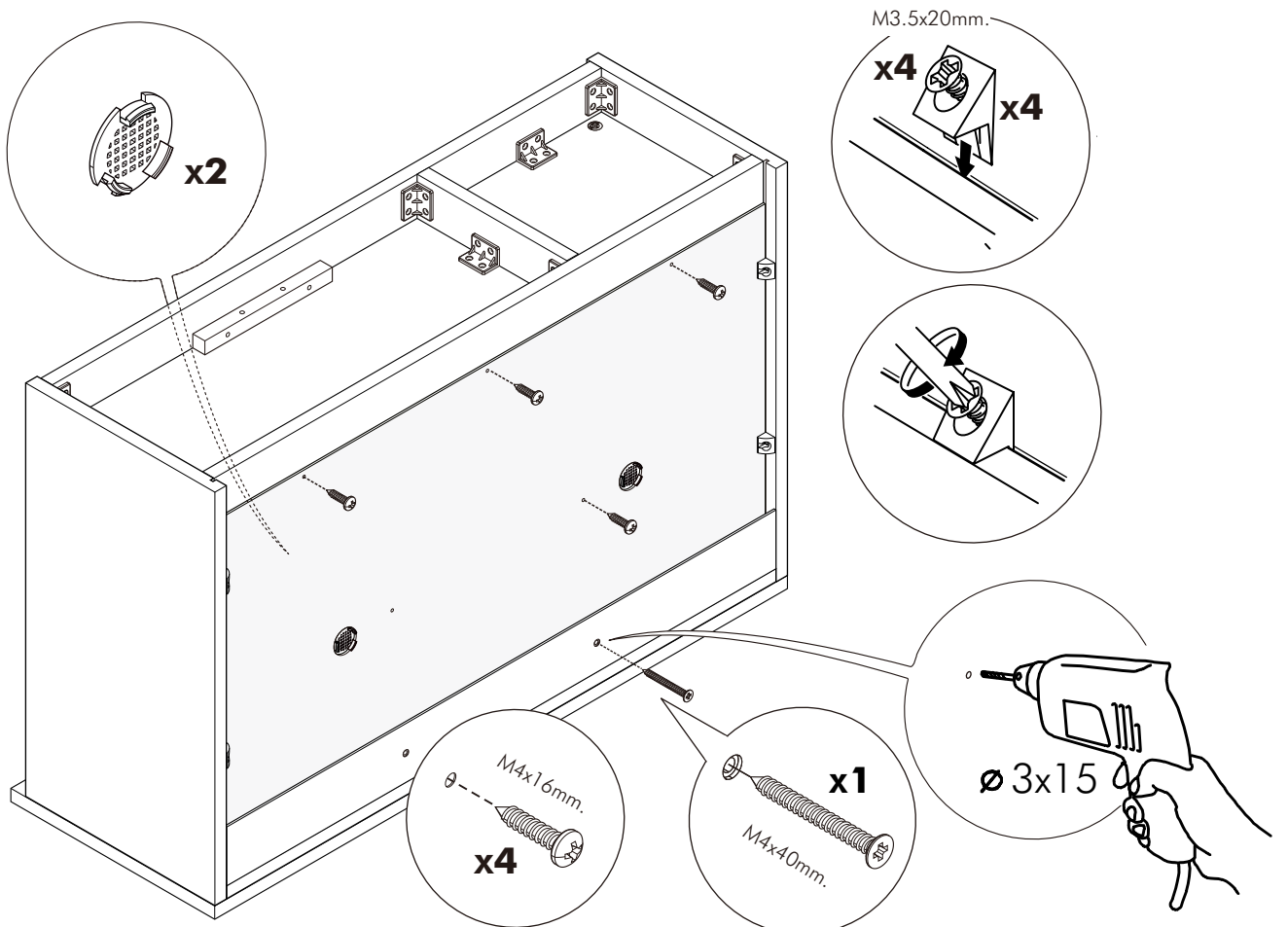
**2.**



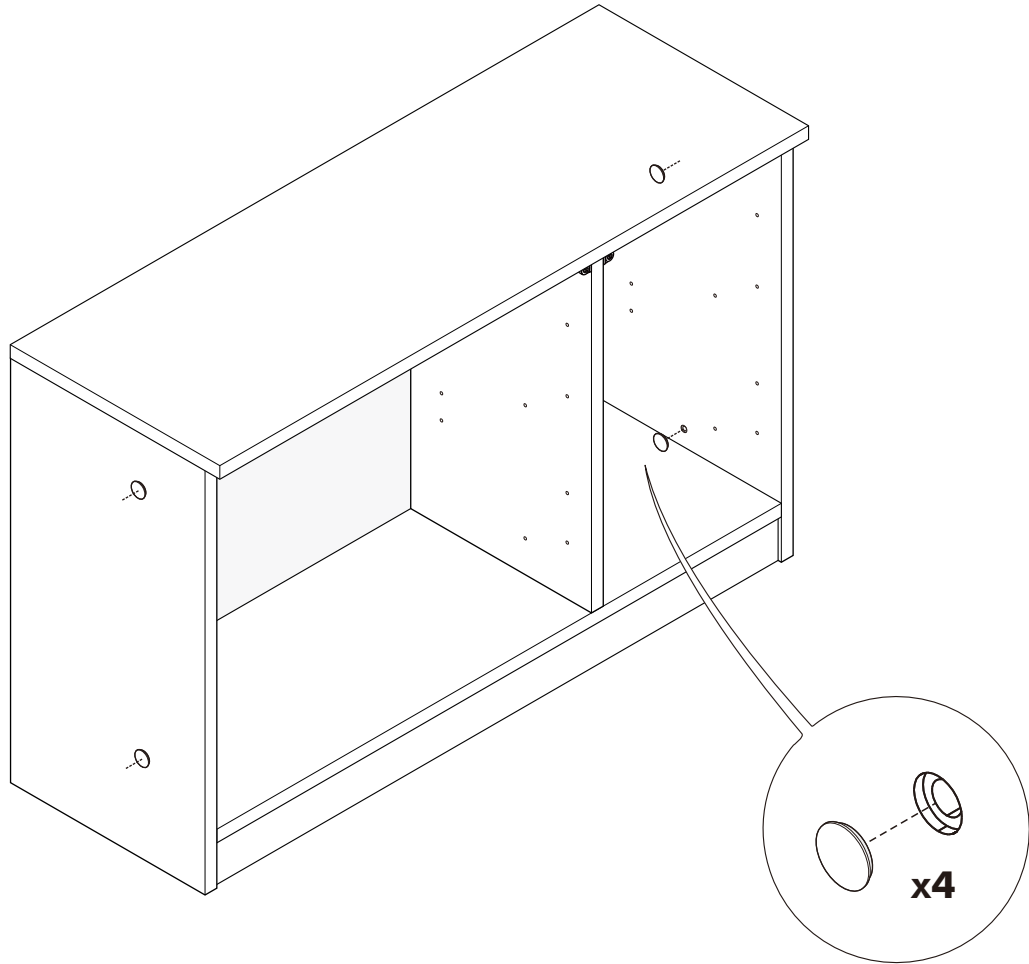
**3.**



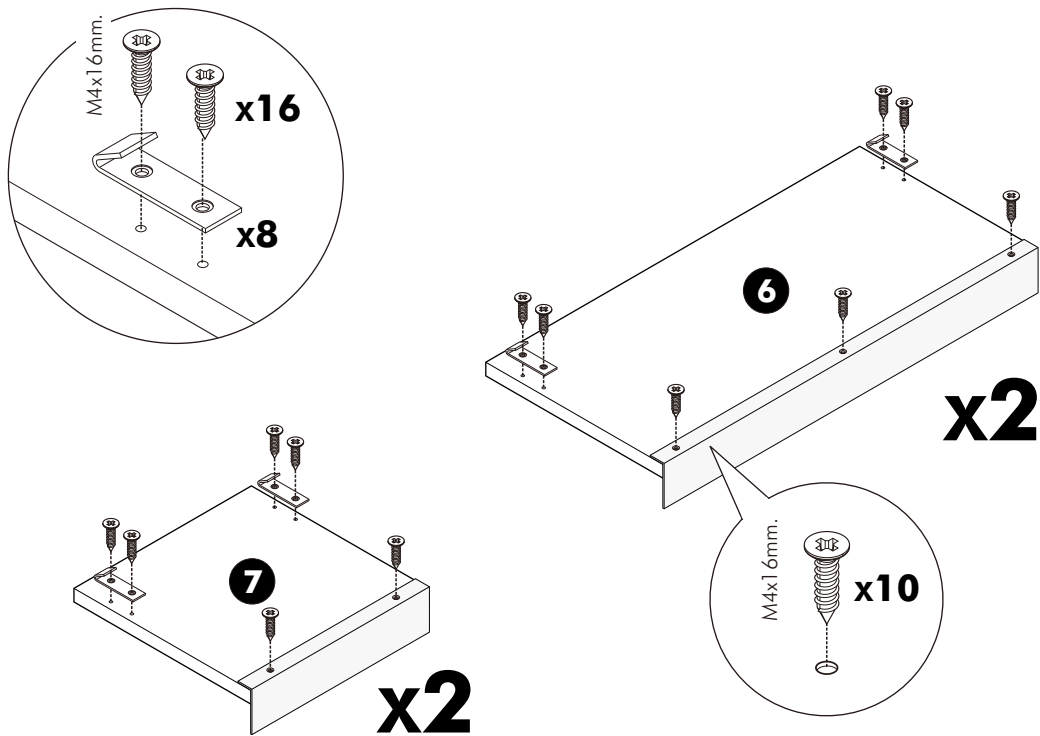
**4.**



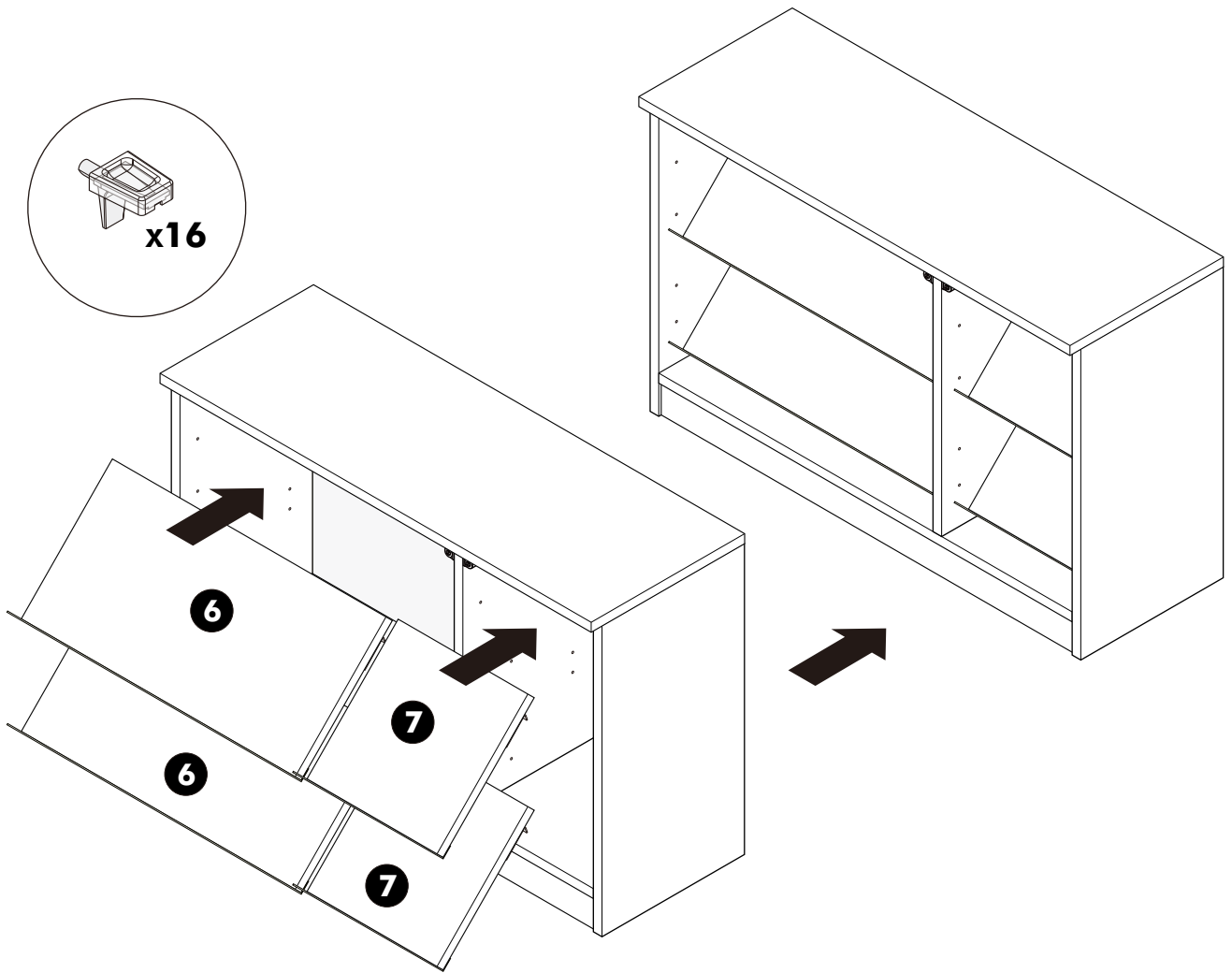
**5.**



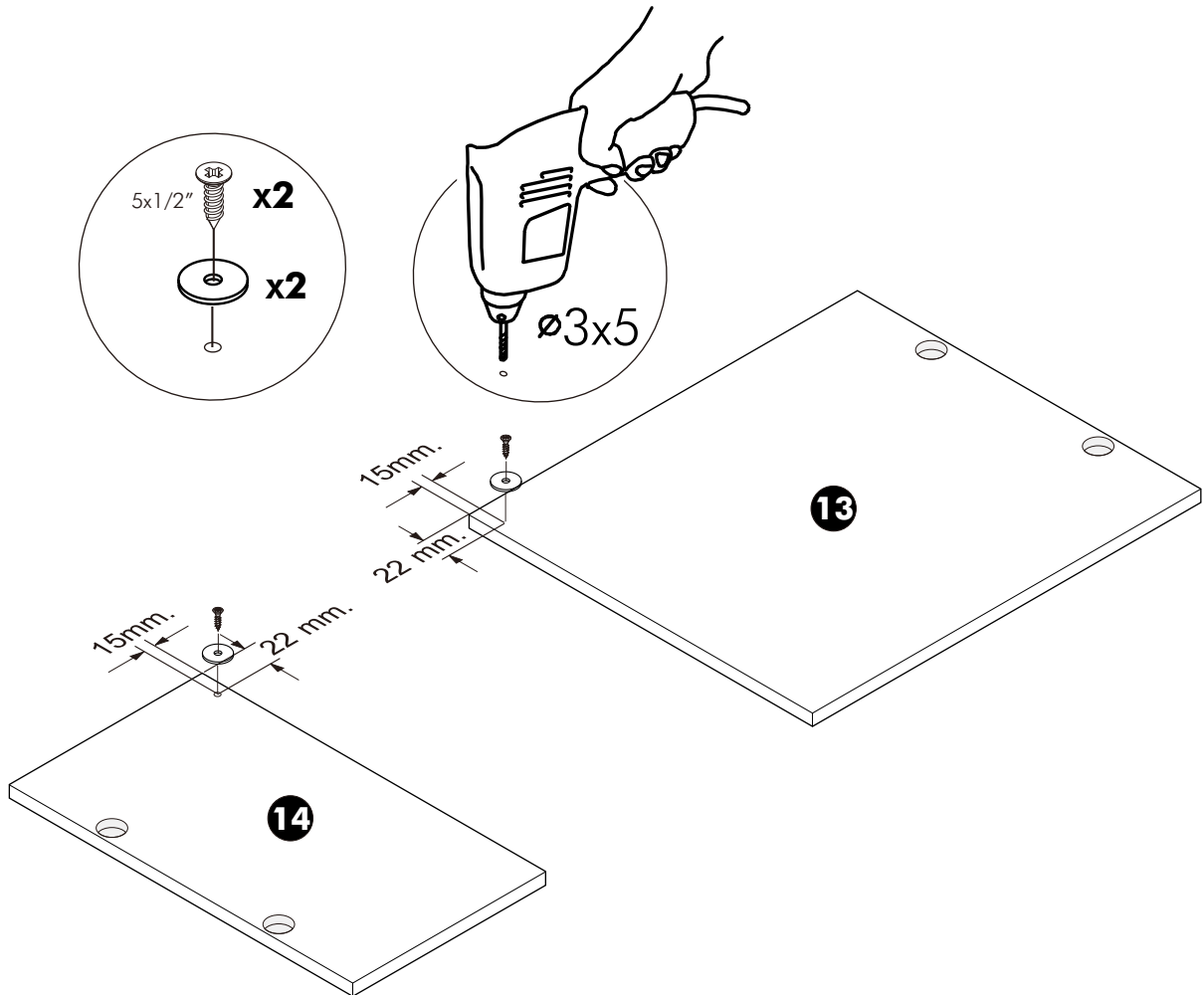
**6.**



**7.**

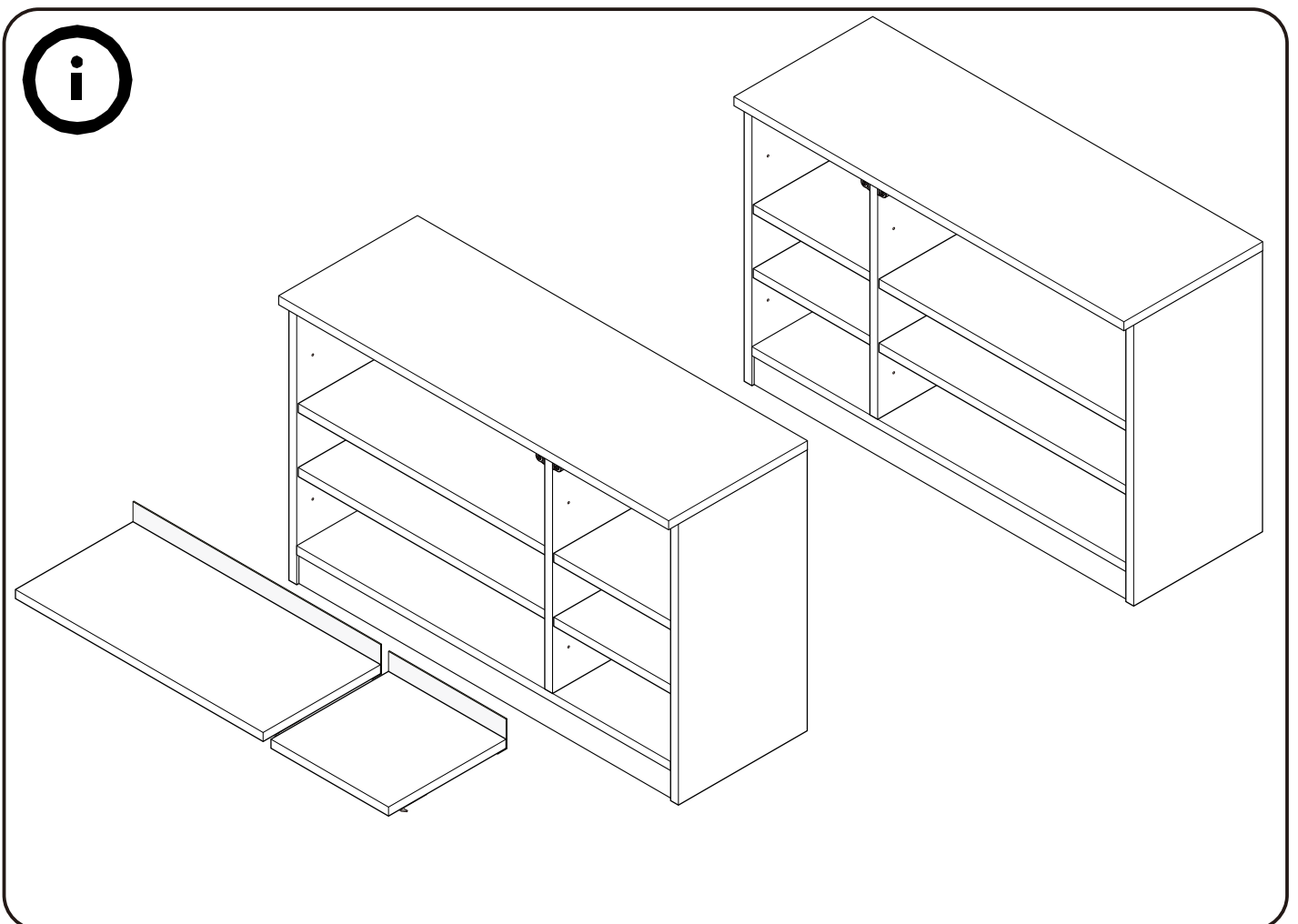
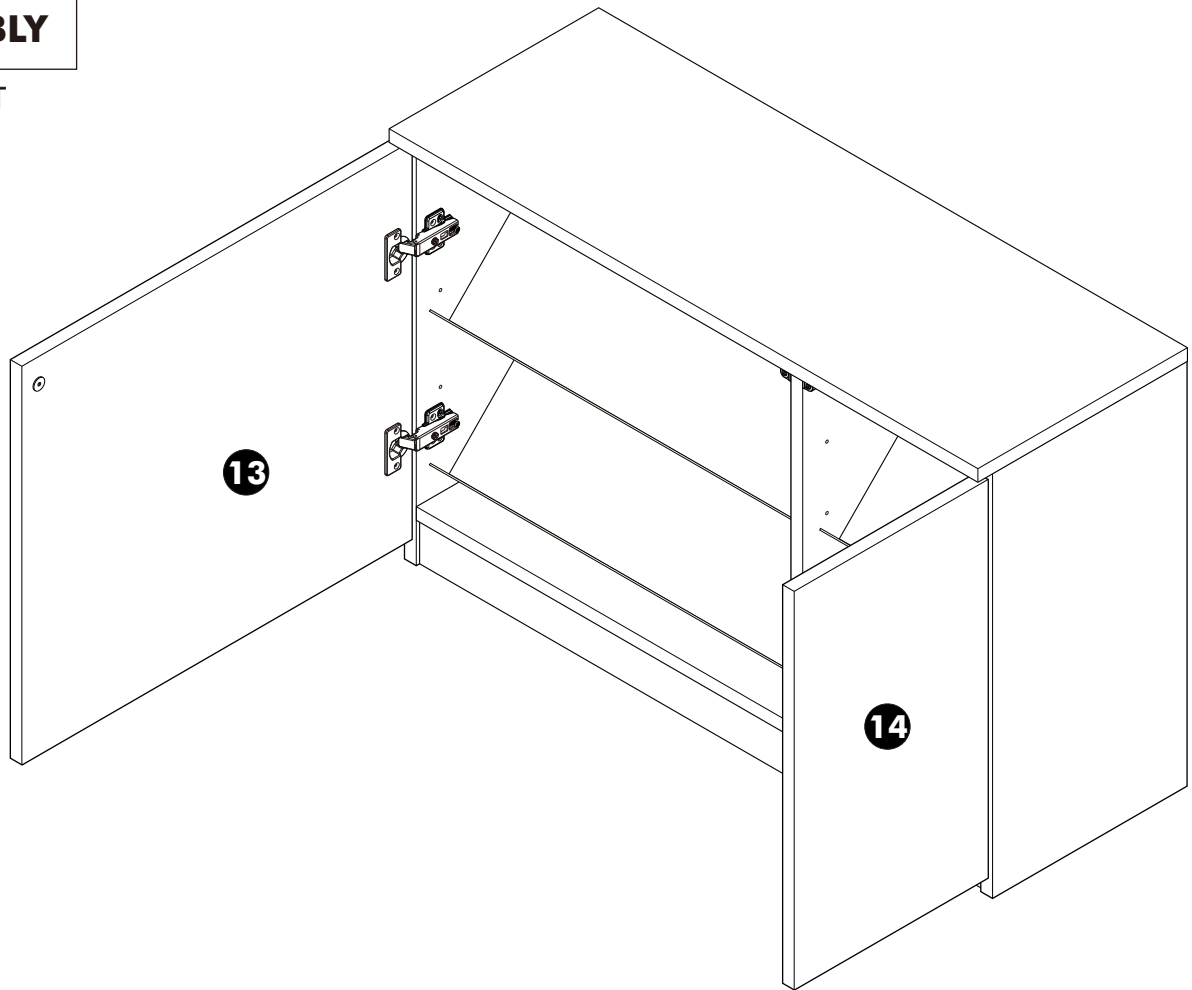


**8.**



# ASSEMBLY

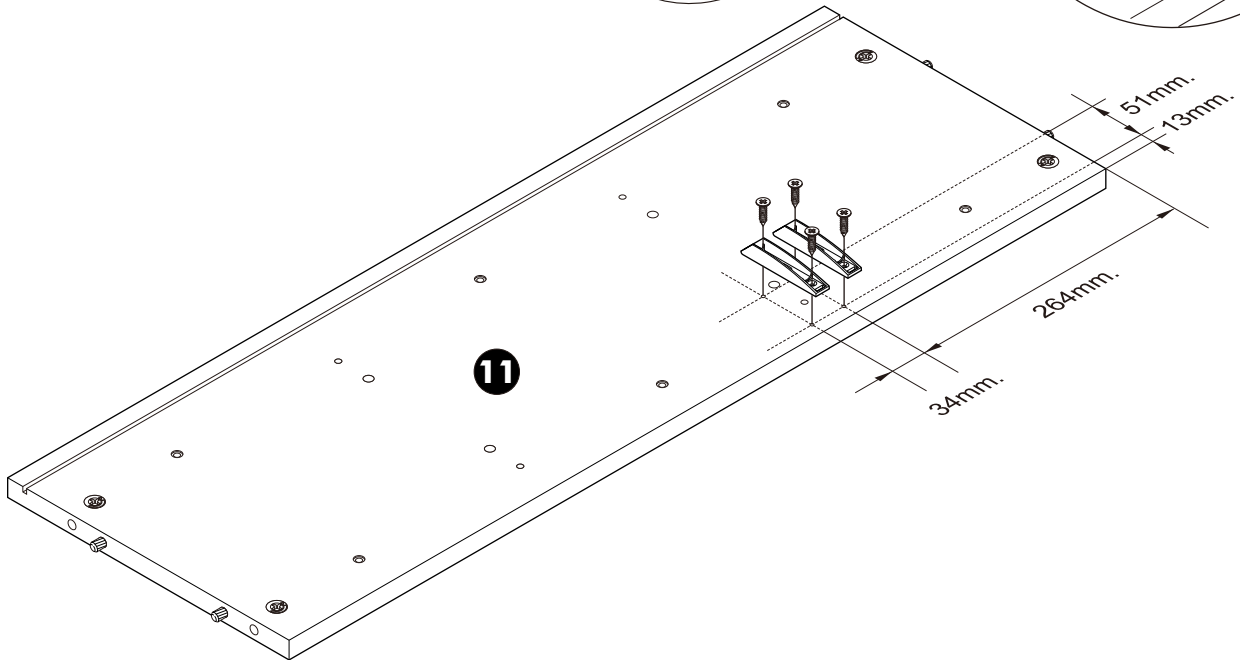
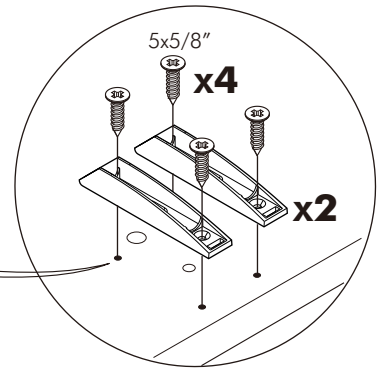
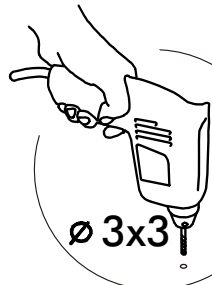
-DOOR SET



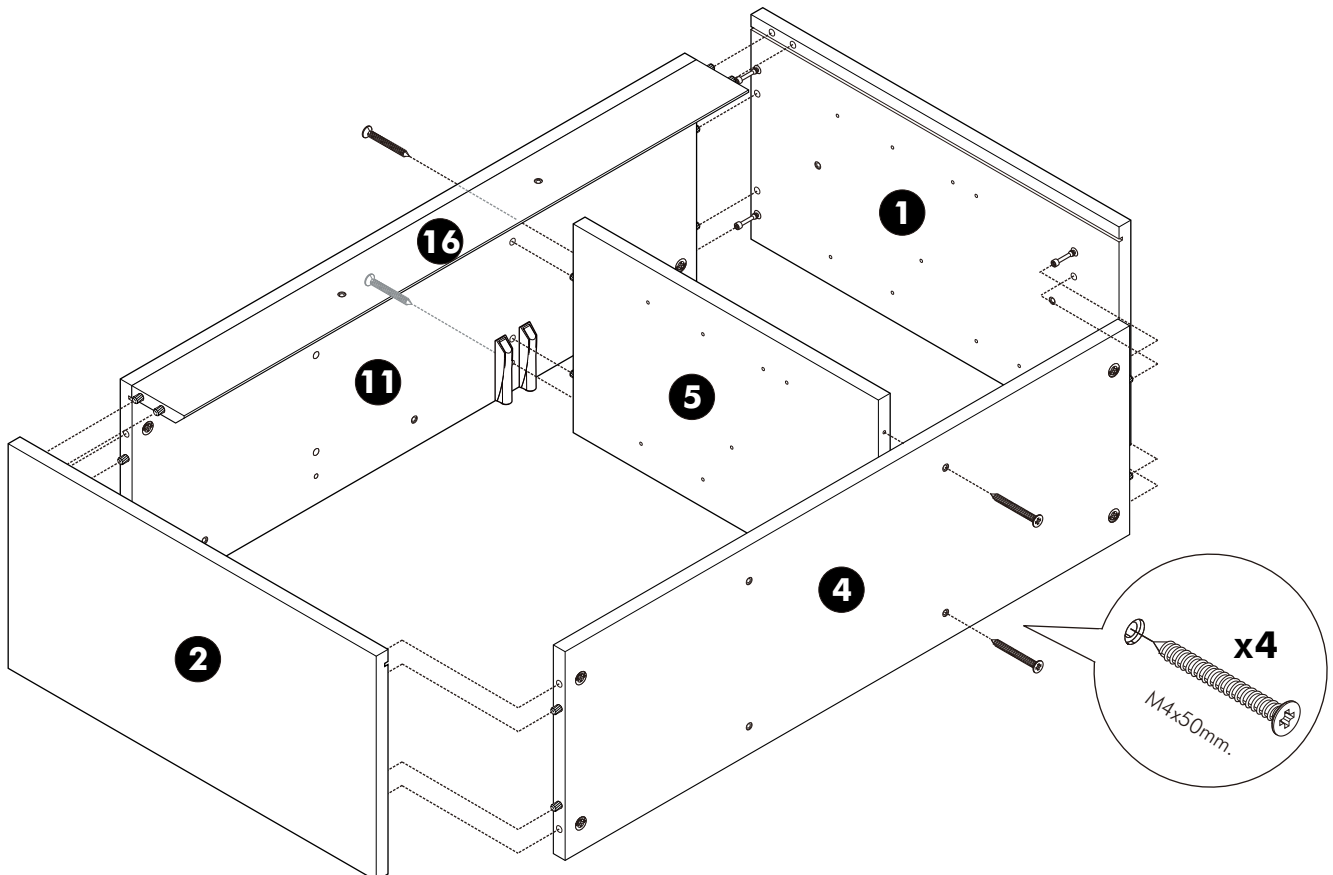
# ASSEMBLY

-BODY SET

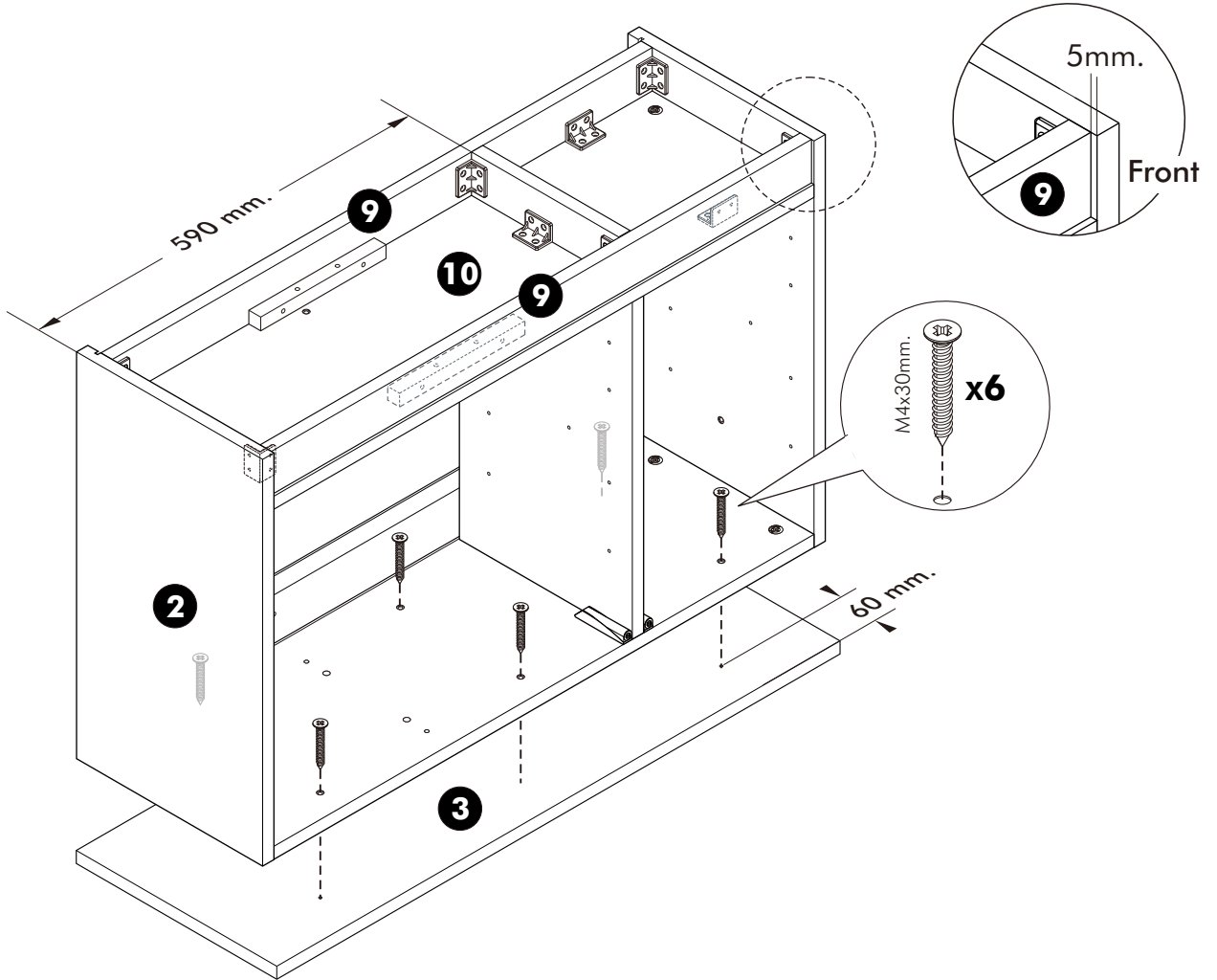
**1.** Type : B



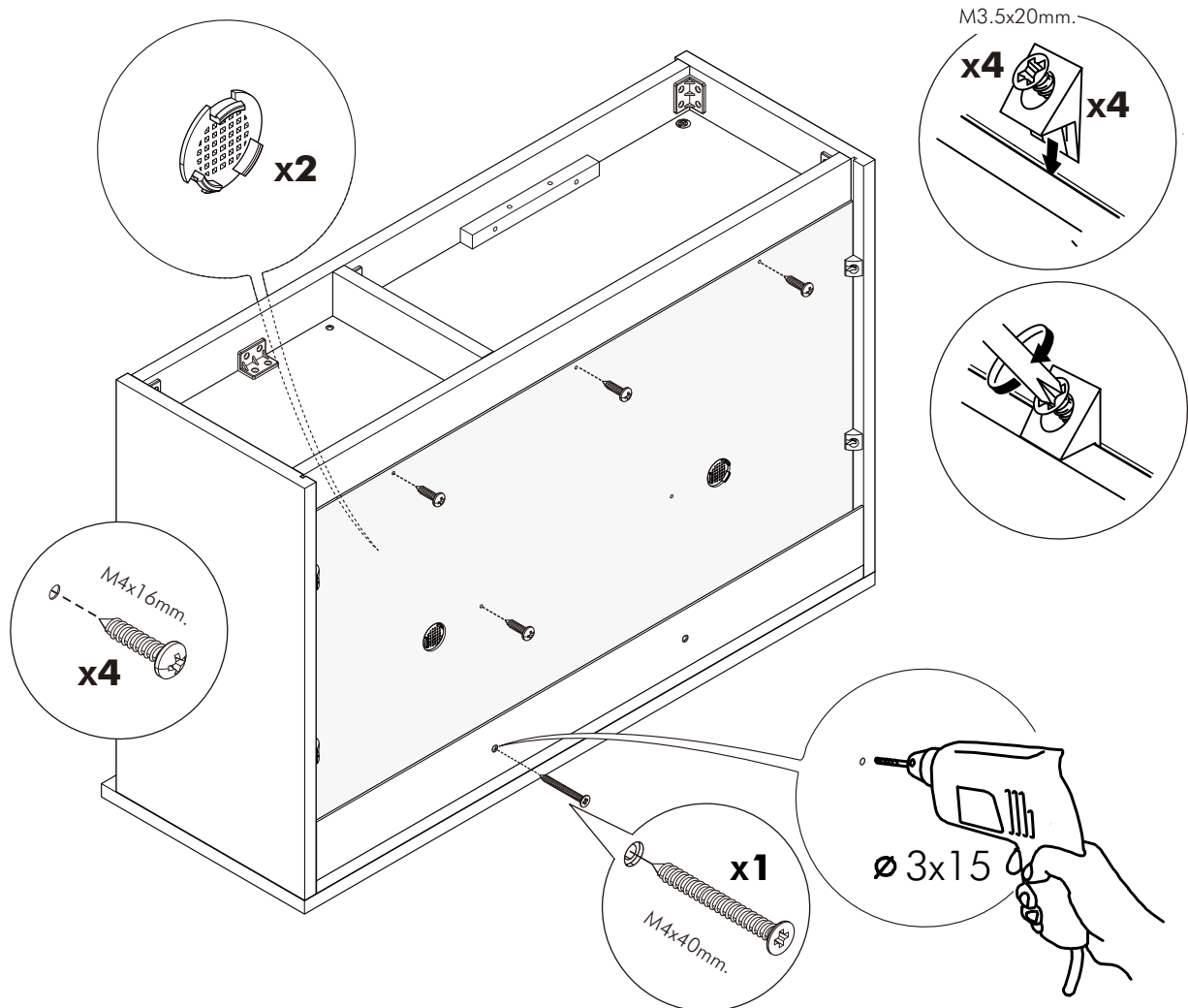
**2.**



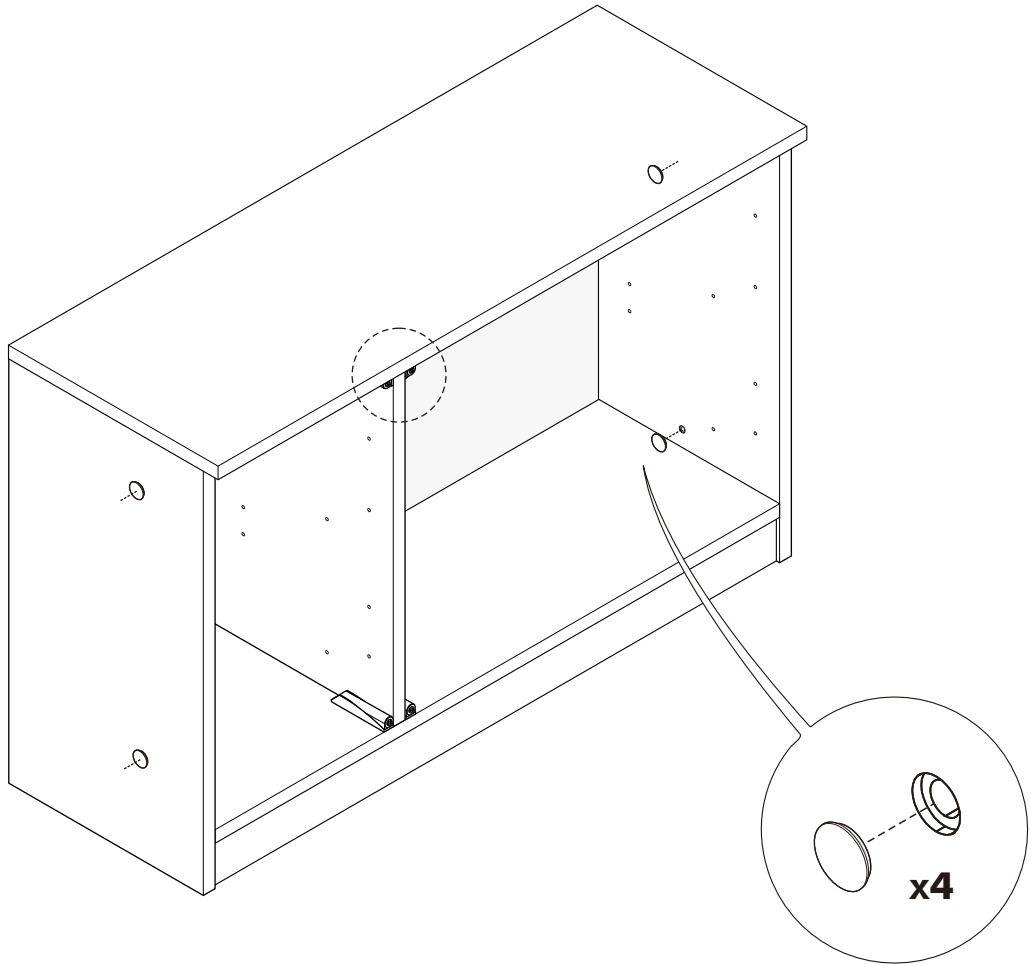
**3.**



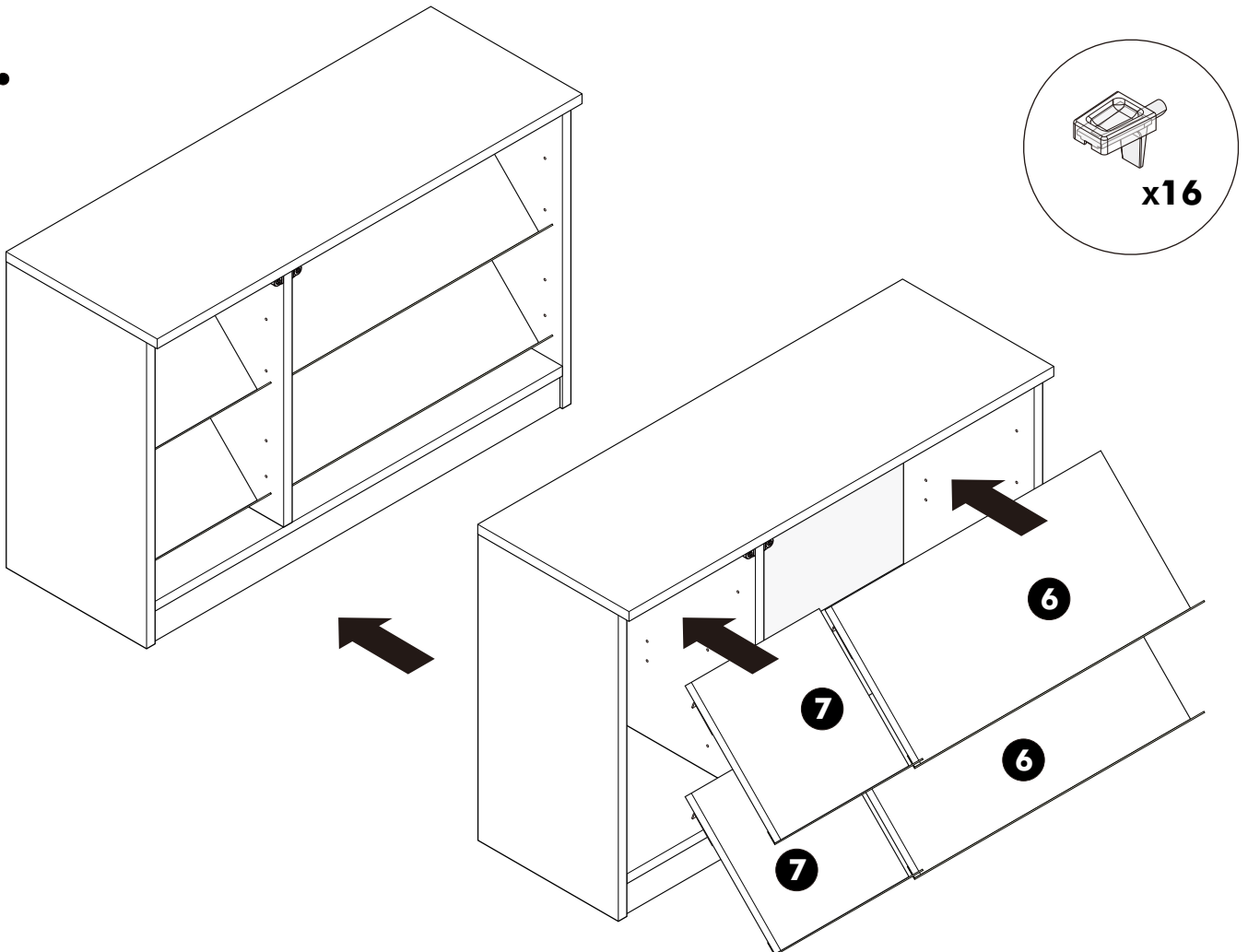
**4.**



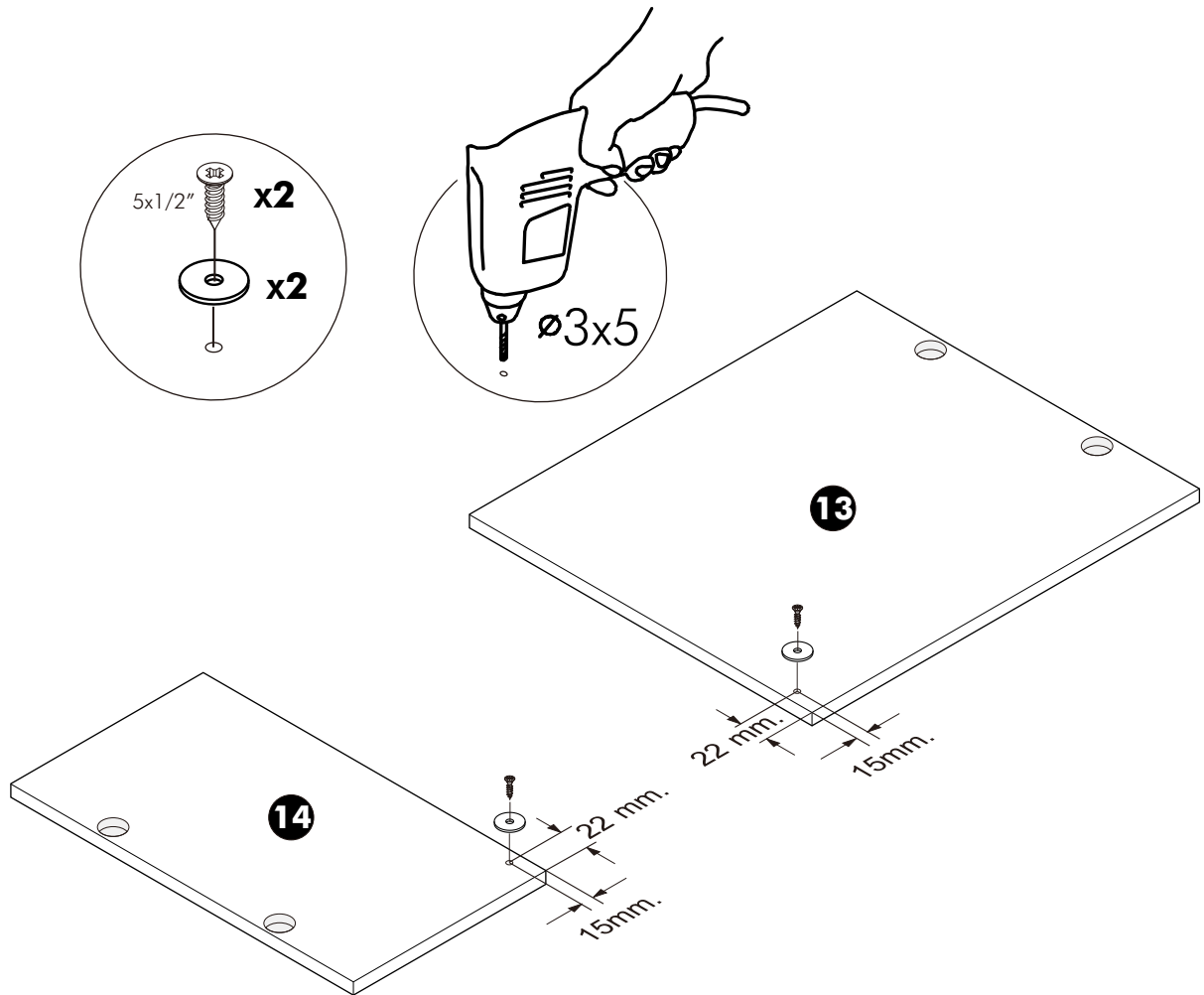
**5.**



**7.**

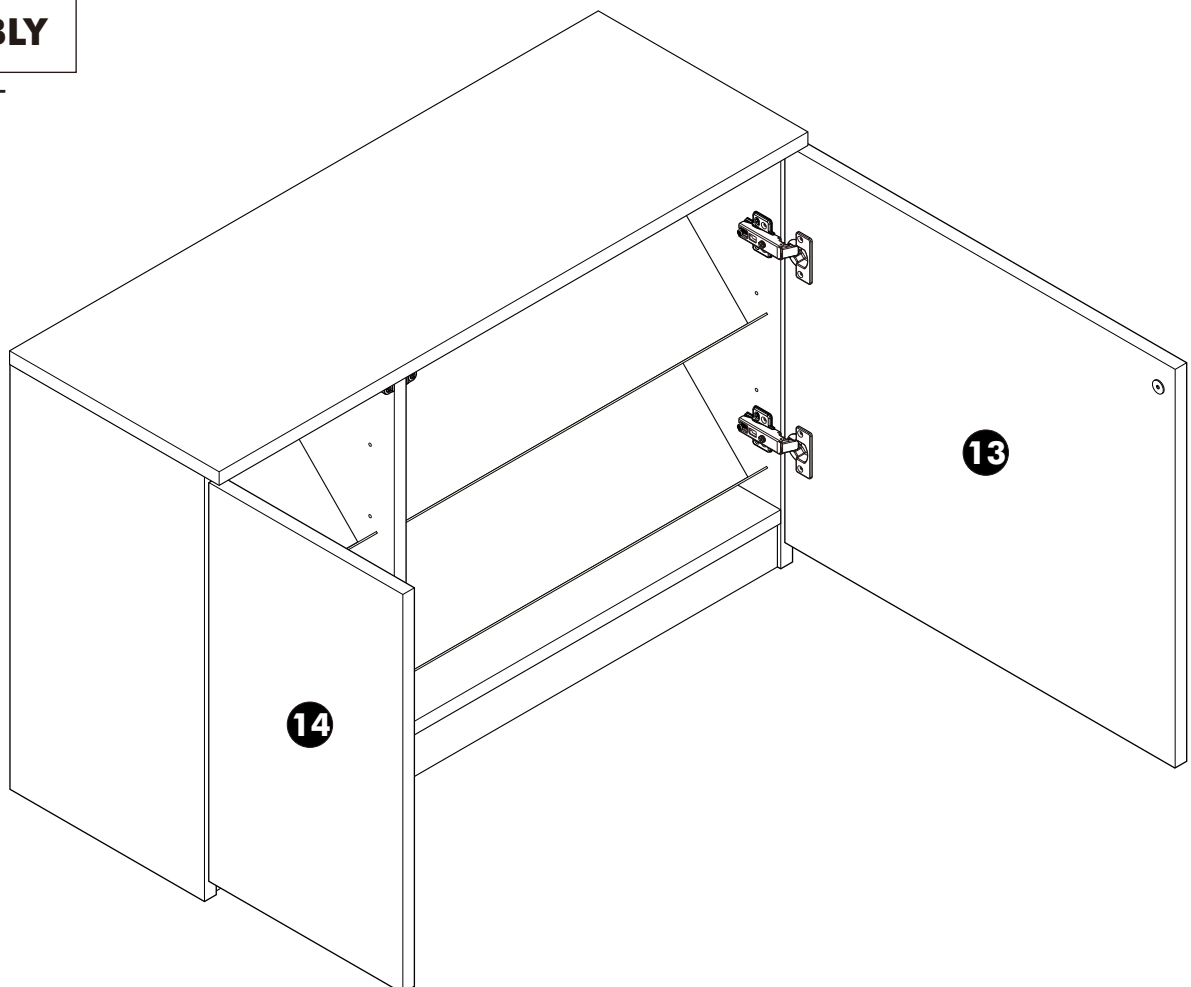


**8.**

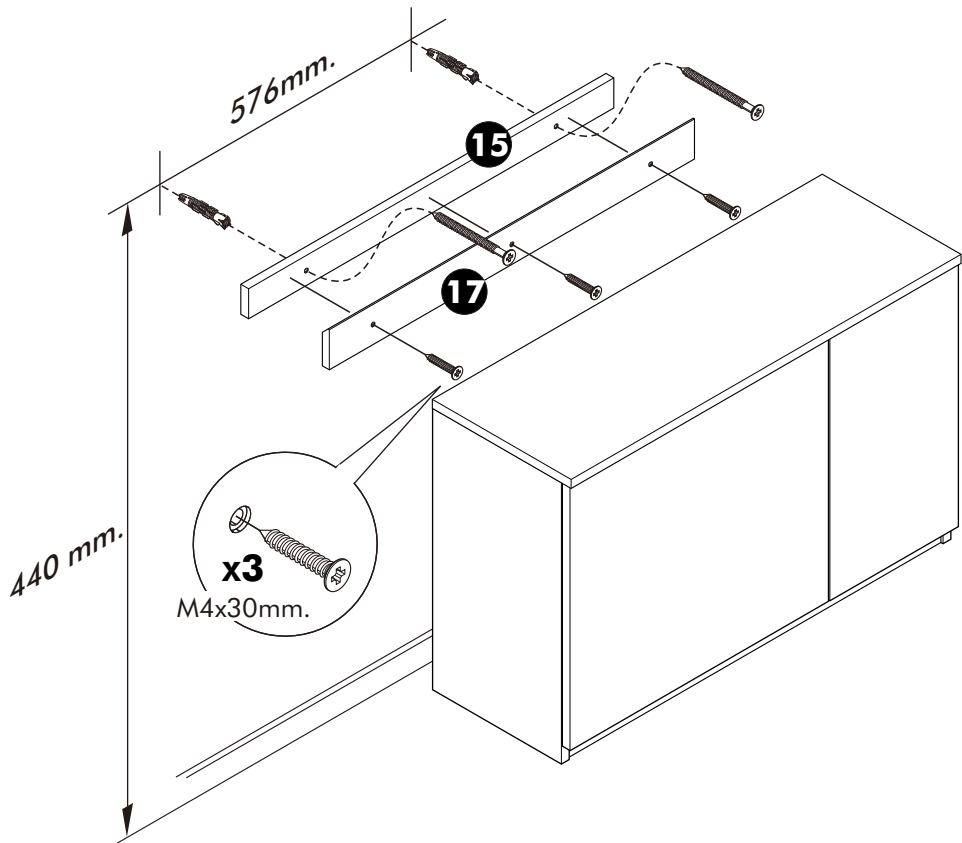
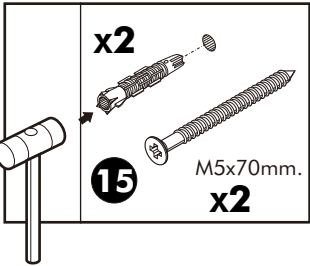
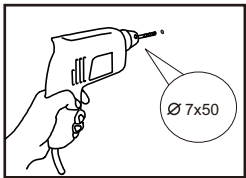


**ASSEMBLY**

-DOOR SET



# Function:1



# Function:2

